

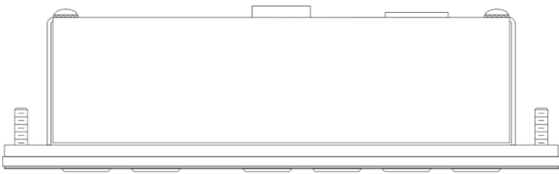
## 2 x 20 VFD Display



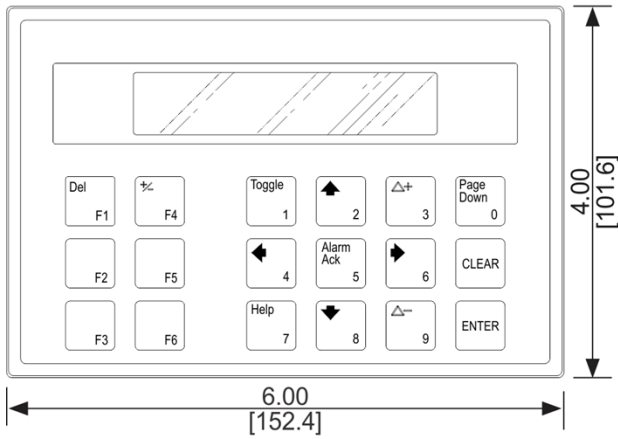
- 2 Line by 20 Character VFD Display
- Tactile Style Keypad
- 6 Programmable Keys
- 1 Serial RS232/422/485 Port

|                      |   |   |
|----------------------|---|---|
| <b>System</b>        | <b>Capacity (screens)</b>   | 500   |
|                      | <b>Audio</b>  | Internal audio transducer                       |
| <b>I/O Ports</b>     | <b>Serial</b>   | 1 x RJ45 shielded RS-232/422/485                |
|                      | <b>Power</b>  | 3 pins terminal block connector, DC power input |
| <b>Display</b>       | <b>Type</b>   | VFD; 5 x 7 dot matrix                           |
|                      | <b>Size</b>   | 2 line by 20 characters                         |
|                      | <b>Viewing Angle (°)</b>  | Approximately 90 degree                         |
| <b>Keypad</b>        | <b>Type</b>   | Tactile dome                                    |
|                      | <b>Material</b>   | Polyester                                       |
|                      | <b>Lifespan</b>   | 3 million operations                            |
|                      | <b>Programmable Keys</b>  | 6   |
|                      | <b>Customizable Key Legend</b>  | No  |
| <b>Electrical</b>    | <b>Input Voltage</b>  | 12 ~ 30 VDC                                     |
|                      | <b>Input Power</b>  | 1.37 W  |
|                      | <b>Input Current</b>  | 57mA @ 24VDC                                    |
| <b>Mechanical</b>    | <b>Enclosure</b>  | Aluminum  |
|                      | <b>Dimensions (W x H x D)</b>   | 6 x 4 x 1.77 inches [152.4 x 101.6 x 45 mm]     |
|                      | <b>Weight</b>   | 0.75 lbs [0.34 kg]                              |
|                      | <b>Mounting</b>   | Panel mounting                                  |
| <b>Environmental</b> | <b>Operating Temperature</b>  | 14 ~ 149°F (-10 ~ 65°C)                         |
|                      | <b>Storage Temperature</b>  | -22 ~ 176°F (-30 ~ 80°C)                        |
|                      | <b>Relative Humidity</b>  | 5% ~ 95% (non-condensing)                       |
|                      | <b>Rating</b>   | NEMA4X / IP65                                   |
|                      | <b>Certifications</b>   | CE / cULus (Class I, Division 2)                |
| <b>Notes</b>         | Specifications subject to change without notice.<br>For panel cutout dimensions, please refer to dimensional drawing. |   |

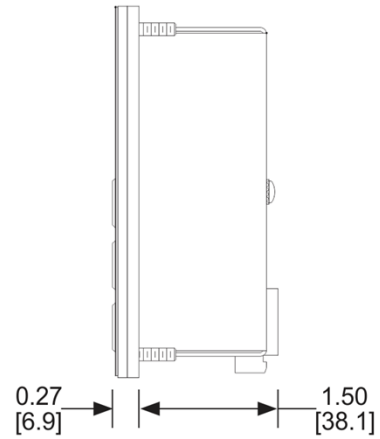
Top View



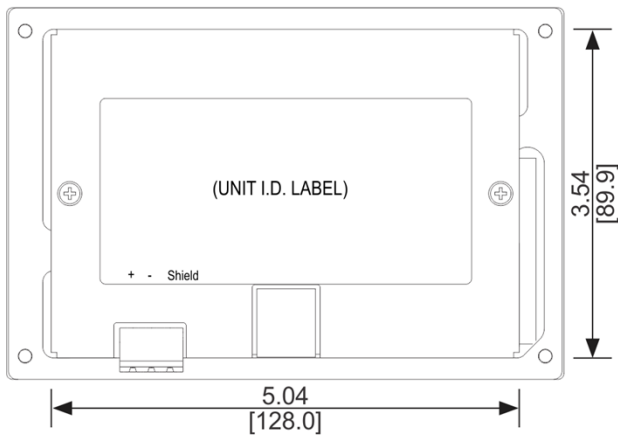
Front View



Side View

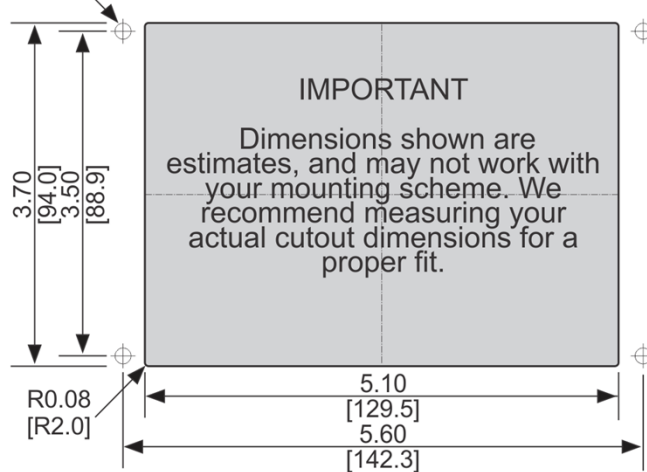


Rear View

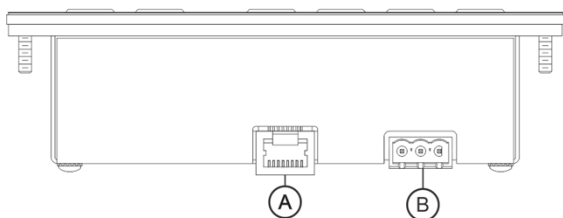


0.172 [4.4] DIA,  
4 Holes

Cutout Dimensions



Bottom View



Dimensions are in inches [mm]

- (A) RJ-45 Serial COM Port
- (B) Power Connector