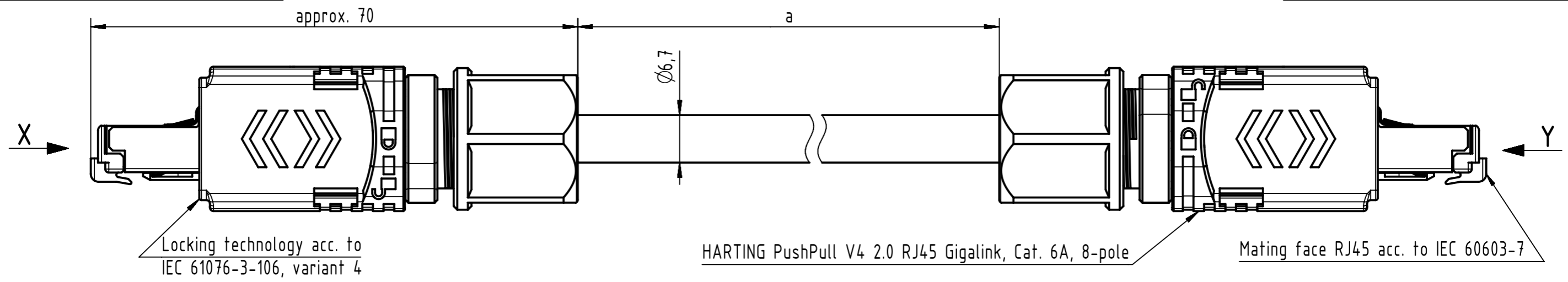


Connector Location A

Connector Location B



Locking technology acc. to IEC 61076-3-106, variant 4

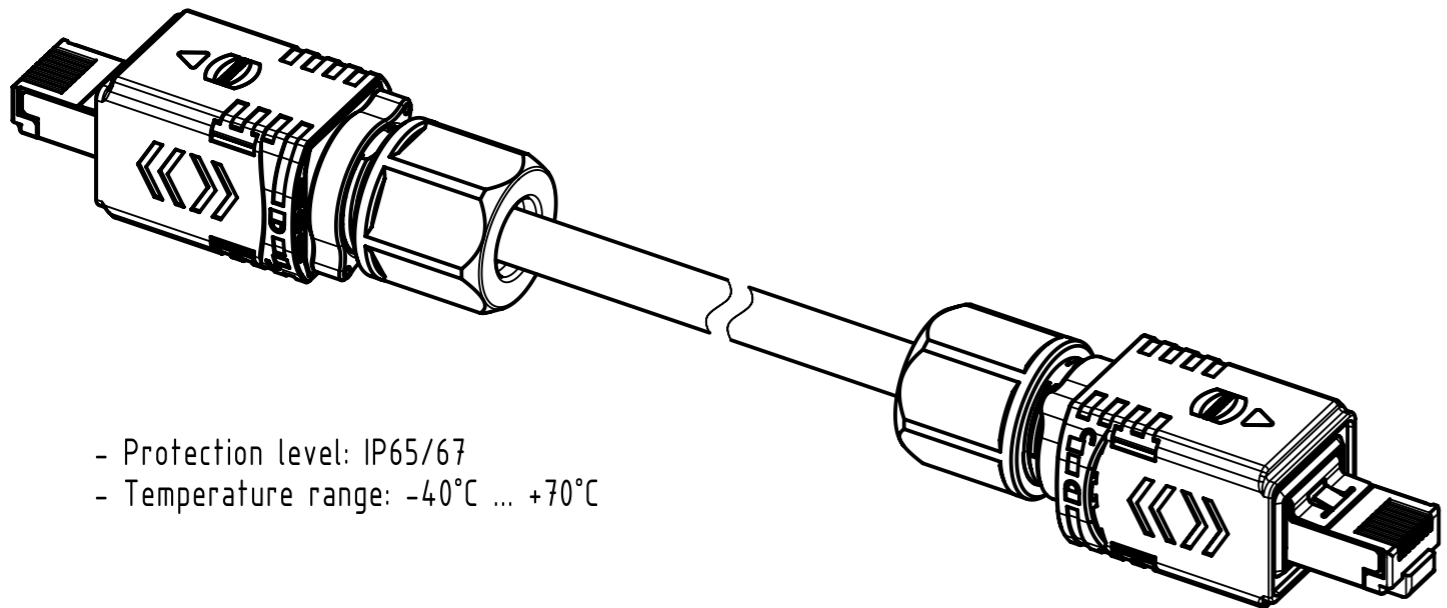
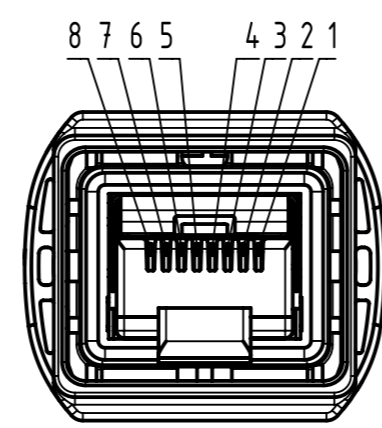
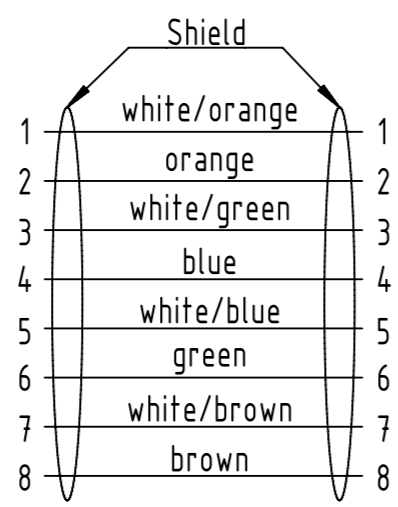
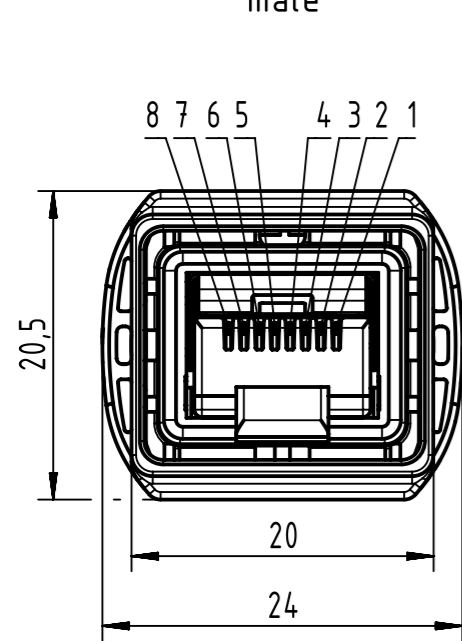
HARTING PushPull V4 2.0 RJ45 Gigalink, Cat. 6A, 8-pole

Mating face RJ45 acc. to IEC 60603-7

X male

Loading Plan acc. to TIA/EIA 568B

Y male



- Protection level: IP65/67  
- Temperature range: -40°C ... +70°C

18	09457451116	RJ45 Ethernet Stranded Cable 4x2xAWG 26/7, outdoor, PVC, Cat. 5, black	20
17	09457451115		15
16	09457451114		10
15	09457451113		9
14	09457451112		8
13	09457451111		7
12	09457451110		6
11	09457451109		5
10	09457451108		4
9	09457451120		3.5
8	09457451107		3
7	09457451119		2.5
6	09457451106		2
5	09457451105		1.5
4	09457451118		1.2
3	09457451104		1
2	09457451103		0.5
1	09457451117		0.25
Cont. no.	Part no.	Type of cable	Dim. a[m]

All Dimensions in mm  
 Tech. Character.  
 Free size tol.  
 According to production drawing

All rights reserved Department HCS - RO	Created by STOCHECIC Stochechi	Inspected by COSTEA Costea	Standardisation MUNTEANV Muntean	Date 2020-03-23	State Final Release
	Title RJ Industrial Cable Assembly			Doc-Key / ECM-Nr. 100118217/UGD/006/E 500000168208	
HARTING Customised Solutions D-32339 Espelkamp	Type TB	Number 094574511XX	Rev. E	Page 1/1	