



RADIALL®
Fibre Optic Components

TECHNICAL DATA SHEET

F 709 034 200

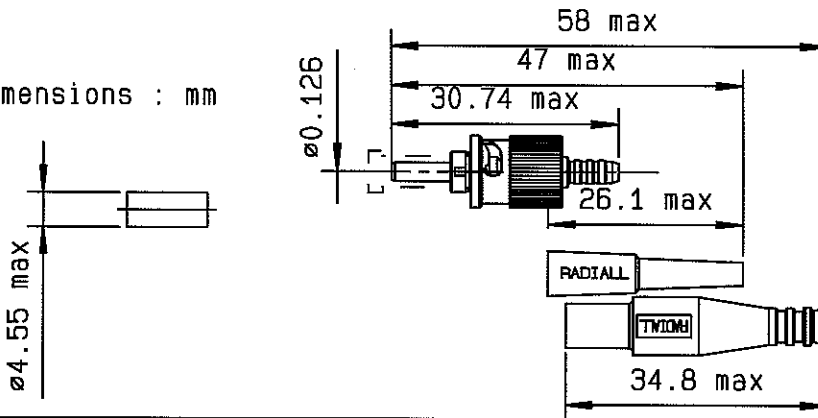
Titre: ST2 SINGLEMODE PLUG \varnothing 126 μ m CERAMIC FERRULE CABLE \varnothing 3 MAX

| | | |
|----------------|--------------------|-------------|
| Series F709 | Issue: 06-04-00 | Page 1/1 |
|----------------|--------------------|-------------|

PACKAGING : PACK OF 100

mm to inch : 0.03937

Dimensions : mm



BOOT :
- COLOUR BLACK
- INFLAMMABILITY : V1 (UL94)

BODY :
- BRASS
- NICKEL PLATED

GENERAL

- TYPE :** - IEC 1754-2 Type BFOC/2.5 - 'ST2'
- Ceramic Zirconia ferrule 20mm pre-radius
- Bayonet latching system
- FIBRE :** - Singlemode 8.5/125
- CABLE :** - Cable \varnothing 2.7 to 3 mm (Hex. 3.84)
- WIRING :** ASSEMBLY PROCEDURE 503 08 390
- For a tight cable \varnothing 2 with aramid strength member and a coated fiber \varnothing 0.9 :
----- See procedure F709PC02
 - For a loose cable \varnothing 3 with aramid strength member, a tube \varnothing 0.6/1 and a coated fiber \varnothing 0.25 :-----See procedure F709PC30
 - For a coated fiber \varnothing 0.9 :-----See procedure F709PC01
 - For a coated fiber \varnothing 0.25 inside a tube \varnothing 0.6/1 :-----See procedure F709PC32

CHARACTERISTICS

(Depending on fibre or cable construction)

- OPTICAL:** Typical insertion loss (IEC 1300-3-4, Methode B or CECC 86000 Methode 7) with adaptor F709730000 at 1300 nm
- Typical : 0.25 dB
 - Standard deviation : 0.11 dB
 - Reproducibility ; 0.05 dB
- Return loss (IEC 61300-3-6 Methode B or CECC Methode 3, OTDR) :
- >30 dB (PC)
- MECHANICAL :**
- Mating life : 500 mating cycles
 - Fibre retention : 5 N
 - Cable retention : 100 N
 - Vibrations : 10-55Hz, 1.5 mm
- ENVIRONMENTAL:** - Climatic category : 25/70/4 0.2 dB

CREATION

N° : EPF 9752
Name : CAUSSE C
Date : 10-23-98
Verif.: VALENCIA

| | | | |
|----------|------------------------------|----------|----------|
| 06/04/00 | Change protective cap | Iahera R | |
| 03-17-99 | ASSEMBLY PROCEDURE REFERENCE | VALENCIA | |
| 10-23-98 | First issue | VALENCIA | |
| Issue | Revisions | Name | Approved |