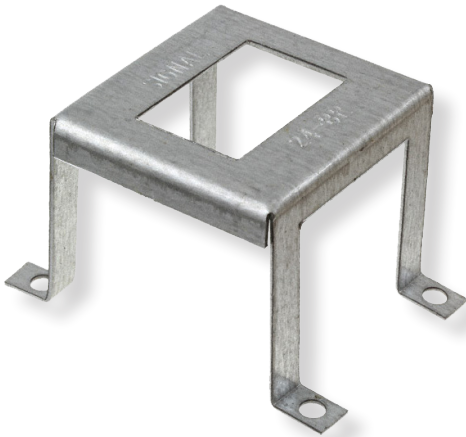


Brackets & Screws

Mounting Hardware

Signal's accessory products, including brackets and screws can be used in conjunction with a variety of Signal power transformers.

Brackets



- 10-BR bracket for use with Signal's 10 VA size PC, DPC, MPC, and DMPC series transformers
- 24-BR bracket for use with Signal's 24 VA size PC, DPC, MPC, and DMPC series transformers
- Please refer to transformer data sheets for details on bracket compatibility and transformer part numbers

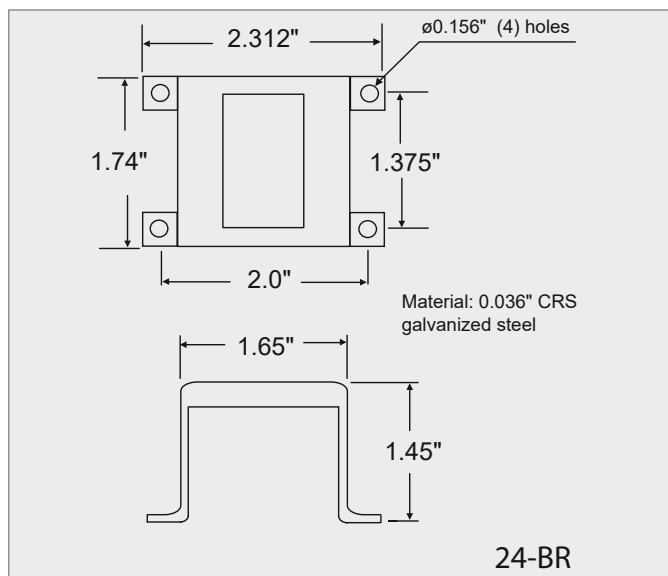
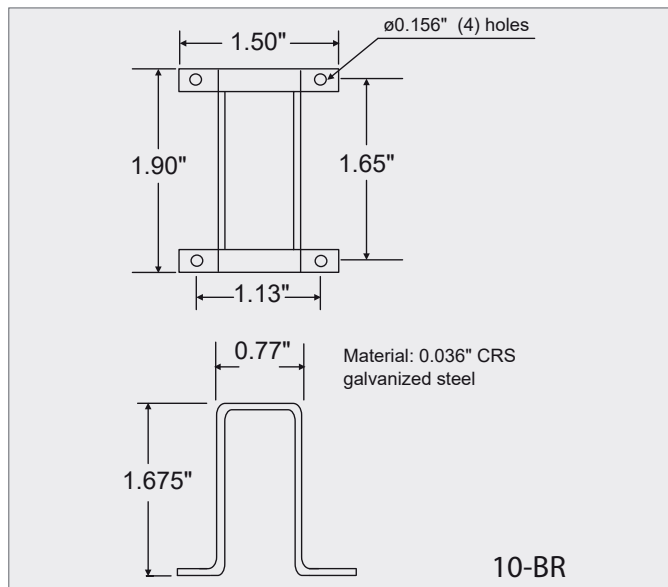
Screws

- For use with Signal's 14A, ST, DST, LP, and MPL series transformers
- Slotted pan screw 4-40 x 1 3/8" thread size (part number ST-MS)
- Compatible with 4-40 hex nut (part number ST-MN)

Part Number Selection & Mechanical Specifications

Brackets

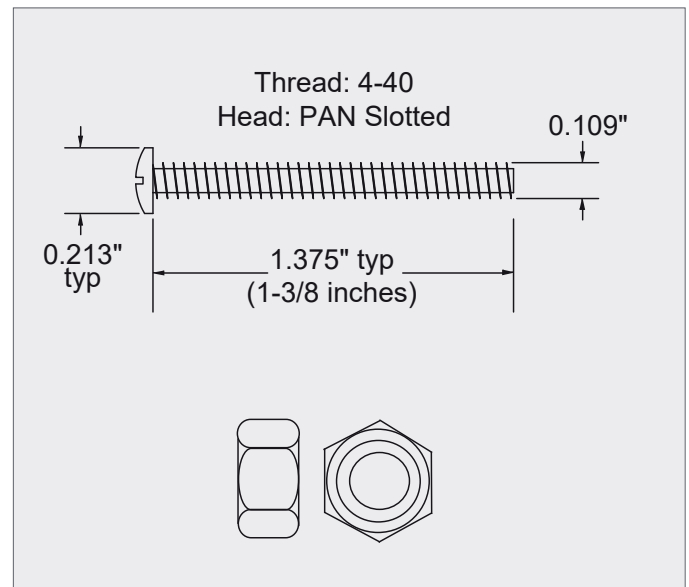
Bracket Number	MW	MD
	Inches (mm)	
10-BR	1.65 (41.9)	1.13 (28.7)
24-BR	1.37 (34.9)	2.00 (50.8)



Screws

Part Number	Description
ST-MS*	Slotted pan screw 4-40, 1 3/8" long, plastic
ST-MN*	Hex nut 4-40, plastic
250-FO-SL*	1/4" Fast-on spade lug (used with TransPort™ connectors)

* Sold in bags of 100 only



Custom versions available upon request.

128 Atlantic Avenue, Lynbrook, NY 11563
Toll Free 866-239-5777 | Tel 516-239-5777 | Fax 516-239-7208
sales@signaltransformer.com | techhelp@signaltransformer.com

