

## BTL Trapezoidal™ Transceivers

### General Description

These advanced transceivers are specifically designed to overcome problems associated with driving a densely populated backplane, and thus provide significant improvement in both speed and data integrity. Their low output capacitance, low output signal swing and noise immunity features make them ideal for driving low impedance buses with minimum power consumption.

The DS3896 is an octal high speed schottky bus transceiver with common control signals, whereas the DS3897 is a quad device with independent driver input and receiver output pins. The DS3897 has a separate driver disable for each driver and is, therefore, suitable for arbitration lines. The separate driver disable pins (En) feature internal pull ups and may be left open if not required. On the other hand, the DS3896 provides high package density for data/address lines.

The open collector drivers generate precise trapezoidal waveforms, which are relatively independent of capacitive loading conditions on the outputs. This significantly reduces noise coupling to adjacent lines. In addition, the receivers use a low pass filter in conjunction with a high speed comparator, to further enhance the noise immunity and provide equal rejection to both negative and positive going noise pulses on the bus.

To minimize bus loading, these devices also feature a schottky diode in series with the open collector output that isolates the driver output capacitance in the disabled state. The output low voltage is typically "1V" and the output high level is intended to be 2V. This is achieved by terminating the bus with a pull up resistor to 2V at both ends. The device can drive an

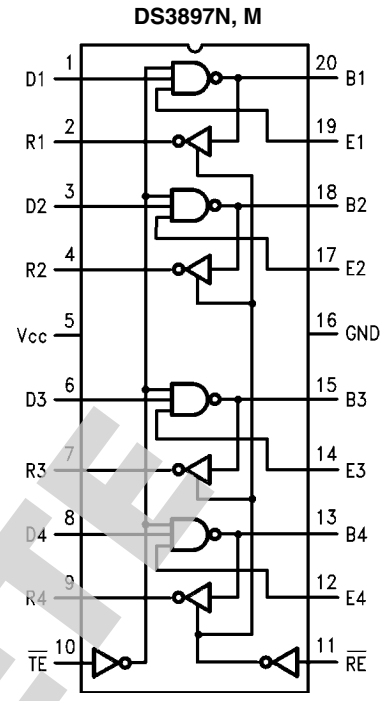
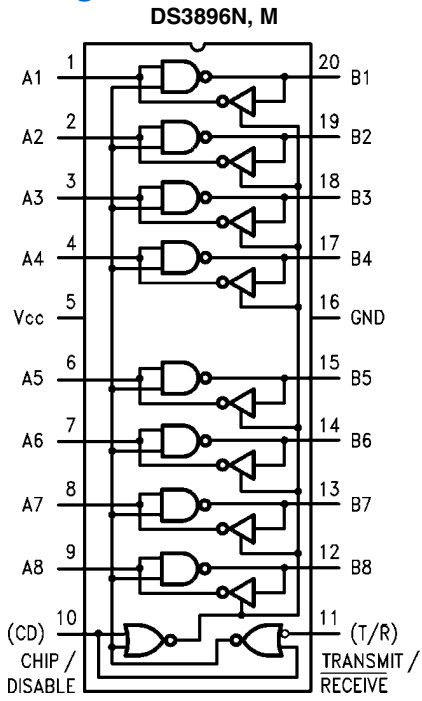
equivalent DC load of 18.5Ω (or greater) in the above configuration.

These signalling requirements, including a 1 volt signal swing, low output capacitance and precise receiver thresholds are referred to as Bus Transceiver Logic (BTL).

### Features

- 8 bit DS3896 transceiver provides high package density
- 4 bit DS3897 transceiver provides separate driver input and receiver output pins
- BTL compatible
- Less than 5 pF output capacitance for minimal bus loading
- 1 Volt bus signal swing reduces power consumption
- Trapezoidal driver waveforms ( $t_r$ ,  $t_f$  6 ns typical) reduce noise coupling to adjacent lines
- Temperature insensitive receiver thresholds track the bus logic high level to maximize noise immunity in both high and low states
- Guaranteed A.C. specifications on noise immunity and propagation delay over the specified temperature and supply voltage range
- Open collector driver output allows wire-or connection
- Advanced low power schottky technology
- Glitch free power up/down protection on driver and receiver outputs
- TTL compatible driver and control inputs and receiver outputs

# Logic Diagrams



851001  
**Order Numbers DS3896M, DS3896N, DS3897M or DS3897N**  
 See NS Package Number M20B or N20A

851002

OBSOLETE

**Absolute Maximum Ratings** (Note 1)

If Military/Aerospace specified devices are required, please contact the National Semiconductor Sales Office/Distributors for availability and specifications.

Supply Voltage	6V
Control Input Voltage	5.5V
Driver Input and Receiver Output	5.5V
Receiver Input and Driver Output	2.5V
Power Dissipation at 70°C N Package	1480 mW
M Package	TBD mW

Storage Temperature Range	-65°C to +150°C
Lead Temperature (Soldering, 4 sec.)	260°C

**Recommended Operating Conditions**

	Min	Max	Units
Supply Voltage, $V_{CC}$	4.75	5.25	V
Bus Termination Voltage	1.90	2.10	V
Operating Free Air Temperature	0	70	°C

**Electrical Characteristics:** (Notes 2, 3)

(0°C ≤  $T_A$  ≤ 70°C, 4.75V ≤  $V_{CC}$  ≤ 5.25V unless otherwise specified)

Symbol	Parameter	Conditions	Min	Typ	Max	Units
<b>Driver and Control Inputs: (An, Dn, En, CD, T/R, RE, TE)</b>						
$V_{IH}$	Logical "1" Input Voltage		2.0			V
$V_{IL}$	Logical "0" Input Voltage				0.8	V
$I_I$	Logical "1" Input Current	An = Dn = En = $V_{CC}$			1	mA
$I_{IH}$	Logical "1" Input Current	An = Dn = En = 2.4V			40	μA
$I_{IHC}$	Logical "1" Input Current	CD = T/R = RE = TE = 2.4V			80	μA
$I_{IL}$	Logical "0" Input Current	An = Dn = En = 0.4V		-1	-1.6	mA
$I_{ILC}$	Logical "0" Input Current	CD = T/R = RE = TE = 0.4V		-180	-400	μA
$V_{CL}$	Input Diode Clamp Voltage	Iclamp = -12 mA		-0.9	-1.5	V
<b>Driver Output/Receiver Input: (Bn)</b>						
$V_{OLB}$	Low Level Bus Voltage	An = Dn = En = T/R = 2V, VL = 2V RL = 18.5Ω, CD = TE = 0.8V (Figure 1)	0.75	1.0	1.2	V
$I_{IHB}$	Maximum Bus Current (Power On)	An = Dn = En = 0.8V, $V_{CC}$ = 5.25V Bn = 2V		10	100	μA
$I_{ILB}$	Maximum Bus Current (Power Off)	An = Dn = En = 0.8V, $V_{CC}$ = 0V Bn = 2V			100	μA
$V_{TH}$	Receiver Input Threshold	$V_{CC}$ = 5V	1.47	1.55	1.62	V
<b>Receiver Output: (An, Rn)</b>						
$V_{OH}$	Logical "1" Output Voltage	Bn = 1.2V, $I_{OH}$ = -400 μA CD = T/R = RE = 0.8V	2.4	3.2		V
$V_{OL}$	Logical "0" Output Voltage	Bn = 2V, $I_{OL}$ = 16 mA CD = T/R = RE = 0.8V		0.35	0.5	V
$I_{OS}$	Output Short Circuit Current	Bn = 1.2V CD = T/R = RE = 0.8V	-20	-70	-100	mA
$I_{CC}$	Supply Current (DS3896)	$V_{CC}$ = 5.25V		90	135	mA
$I_{CC}$	Supply Current (DS3897)	$V_{CC}$ = 5.25V		50	80	mA

**Note 1:** "Absolute maximum ratings" are those beyond which the safety of the device cannot be guaranteed. They are not meant to imply that the device should be operated at these limits. The table of "Electrical Characteristic" provide conditions for actual device operation.

**Note 2:** All currents into device pins are positive; all currents out of device pins are negative. All voltages are referenced to device ground unless otherwise specified.

**Note 3:** All typicals are given for  $V_{CC}$  = 5V and  $T_a$  = 25°C.

**DS3896 Switching Characteristics**

(0°C ≤  $T_A$  ≤ 70°C, 4.75V ≤  $V_{CC}$  ≤ 5.25V unless otherwise specified)

Symbol	Parameter	Conditions	Min	Typ	Max	Units
<b>Driver:</b>						
$t_{DLH}$	An to Bn	CD = 0.8V, T/R = 2.0V, VL = 2V (Figure 2)	5	9	15	ns
$t_{DHL}$			5	9	15	ns

Symbol	Parameter	Conditions	Min	Typ	Max	Units
<b>Driver:</b>						
$t_{DLHC}$	CD to Bn	An = $T/\bar{R}$ = 2.0V, VL = 2V (Figure 2)	5	10	18	ns
$t_{DHLC}$			5	12	20	ns
$t_{DLHT}$	T/ $\bar{R}$ to Bn	VCI = An, VC = 5V, (Figure 5) CD = 0.8V, RC = 390 $\Omega$ , CL = 30 pF RL1 = 18 $\Omega$ , RL2 = NC, VL = 2V	5	15	25	ns
$t_{DHHT}$			5	22	35	ns
$t_R$	Driver Output Rise Time	CD = 0.8V, T/ $\bar{R}$ = 2V, VL = 2V (Figure 2)	3	6	10	ns
$t_F$	Driver Output Fall Time		3	6	10	ns
<b>Receiver:</b>						
$t_{RLH}$	Bn to An	CD = 0.8V, T/ $\bar{R}$ = 0.8V (Figure 3)	5	12	18	ns
$t_{RHL}$			5	10	18	ns
$t_{RLZC}$	CD to An	Bn = 2.0V, T/ $\bar{R}$ = 0.8V, CL = 5 pF RL1 = 390 $\Omega$ , RL2 = NC, VL = 5V (Figure 4)	5	10	18	ns
$t_{RZLC}$			5	8	15	ns
$t_{RHZC}$			2	4	8	ns
$t_{RZHC}$			3	7	12	ns
$t_{RLZT}$	T/ $\bar{R}$ to An	VCI = Bn, VC = 2V, RC = 18 $\Omega$ , CD = 0.8V, VL = 5V, RL1 = 390 $\Omega$ , RL2 = NC, CL = 5 pF (Figure 5)	5	10	18	ns
$t_{RZLT}$			14	24	40	ns
$t_{RHZT}$			2	4	8	ns
$t_{RZHT}$			2	8	15	ns
$t_{NR}$	Receiver Noise Rejection Pulse Width	(Figure 6)	3	6		ns

Note: NC means open

## DS3897 Switching Characteristics

(0°C ≤ T<sub>A</sub> ≤ 70°C, 4.75V ≤ V<sub>CC</sub> ≤ 5.25V unless otherwise specified)

Symbol	Parameter	Conditions	Min	Typ	Max	Units
<b>Driver:</b>						
$t_{DLH}$	Dn, En to Bn	$\bar{T}\bar{E}$ = 0.8V, $\bar{R}\bar{E}$ = 2.0V, VL = 2V (Figure 2)	5	9	15	ns
$t_{DHL}$			5	9	15	ns
$t_{DLHT}$	$\bar{T}\bar{E}$ to Bn	An = $\bar{R}\bar{E}$ = 2.0V, VL = 2V, (Figure 2) RC = 390 $\Omega$ , VCI = An, VC = 5V, CL = 30 pF RL1 = 18 $\Omega$ , RL2 = NC, VL = 2V (Figure 5)	5	10	18	ns
$t_{DHHT}$			5	12	20	ns
$t_R$	Driver Output Rise Time	CD = 0.8V, T/ $\bar{R}$ = 2V, VL = 2V (Figure 2)	3	6	10	ns
$t_F$	Driver Output Fall Time		3	6	10	ns

Symbol	Parameter	Conditions	Min	Typ	Max	Units
<b>Receiver:</b>						
$t_{RLH}$	Bn to Rn	$\overline{TE} = 2.0V, \overline{RE} = 0.8V$ (Figure 3)	5	10	18	ns
$t_{RHL}$			5	12	18	ns
$t_{RLZR}$	$\overline{RE}$ to Rn	Bn = $\overline{TE} = 2V, VL = 5V, CL = 5 pF$ RL1 = 390 $\Omega$ , RL2 = NC (Figure 4)	5	10	18	ns
$t_{RZLR}$		Bn = $\overline{TE} = 2V, VL = 5V, CL = 30 pF$ RL1 = 390 $\Omega$ , RL2 = 1.6k (Figure 4)	5	8	15	ns
$t_{RHZR}$		Bn = 0.8V, $\overline{TE} = 2V, VL = 0V,$ RL1 = 390 $\Omega$ , RL2 = NC, CL = 5 pF (Figure 4)	2	4	8	ns
$t_{RZHR}$		Bn = 0.8V, $\overline{TE} = 2V, VL = 0V,$ RL1 = NC, RL2 = 1.6k, CL = 30 pF (Figure 4)	3	7	12	ns
$t_{NR}$	Receiver Noise Rejection Pulse Width	(Figure 6)	3	6		ns
<b>Driver plus Receiver:</b>						
$t_{DRLH}$	Dn to Rn	$\overline{TE} = \overline{RE} = 0.8V$ (Figure 7)	10	20	30	ns
$t_{DRHL}$			10	20	30	ns

Note: NC means open

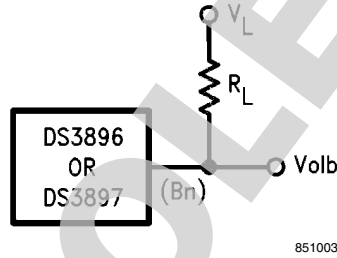
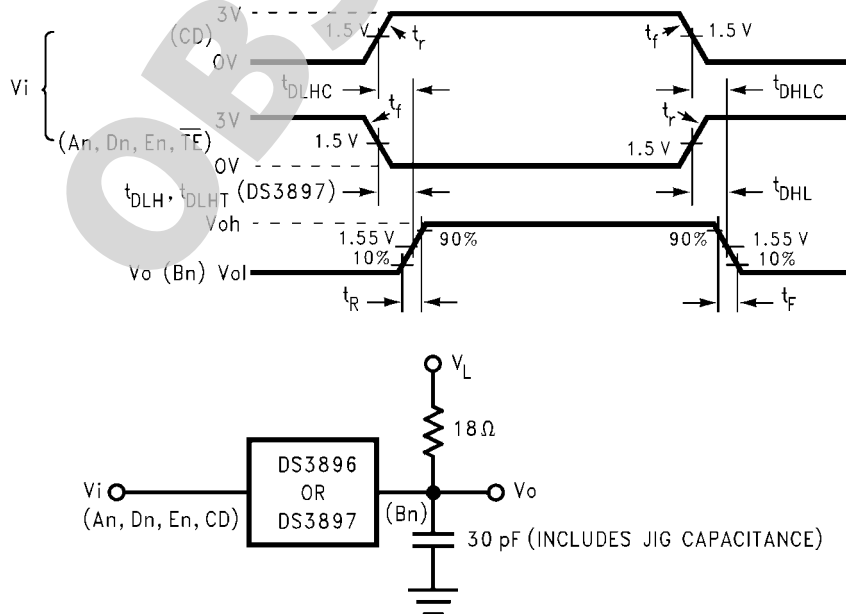
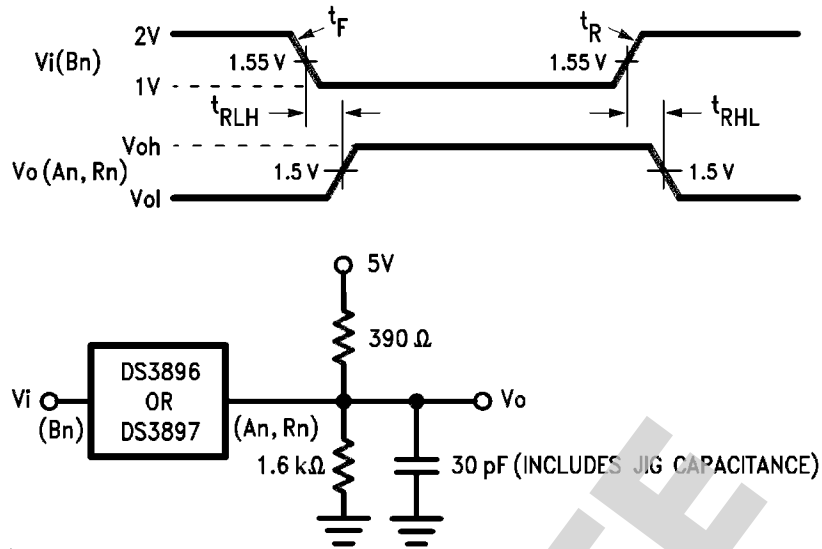


FIGURE 1. Driver Output Low Voltage Test



Note:  $t_r = t_f \leq 5 ns$  from 10% to 90%

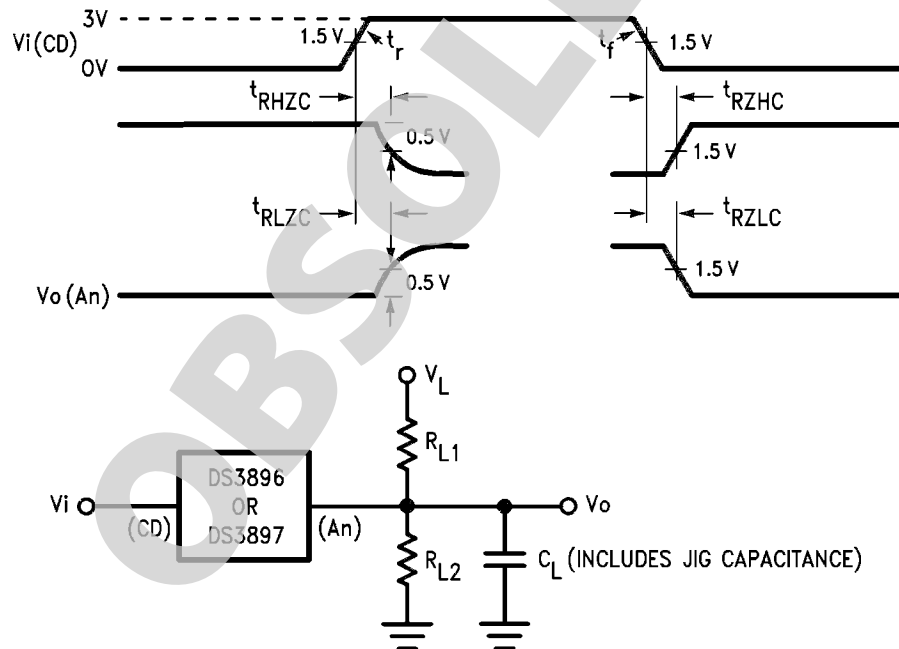
FIGURE 2. Driver Propagation Delays



Note:  $t_R = t_F \leq 10$  ns from 10% to 90%

851005

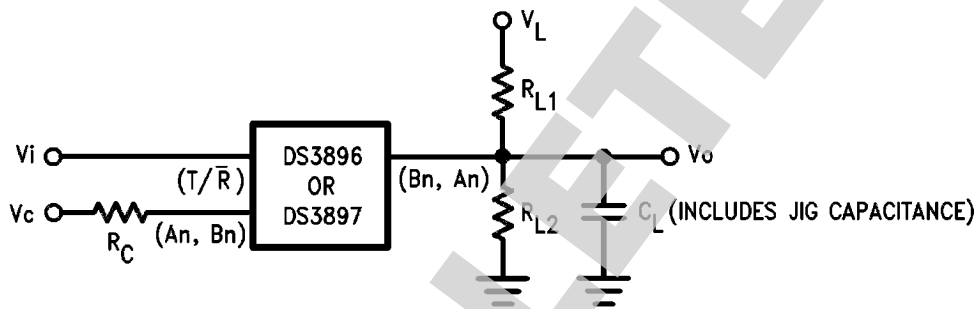
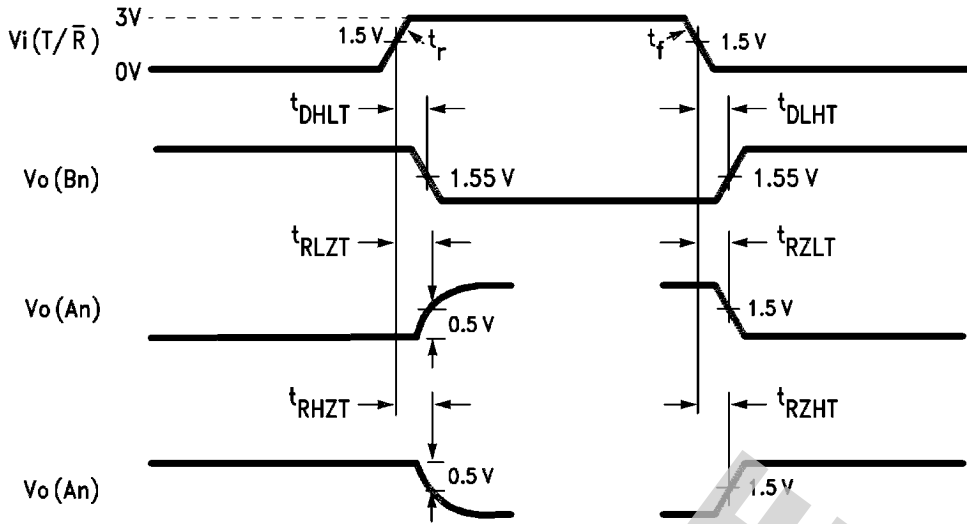
FIGURE 3. Receiver Propagation Delays



Note:  $t_r = t_f \leq 5$  ns from 10% to 90%

851006

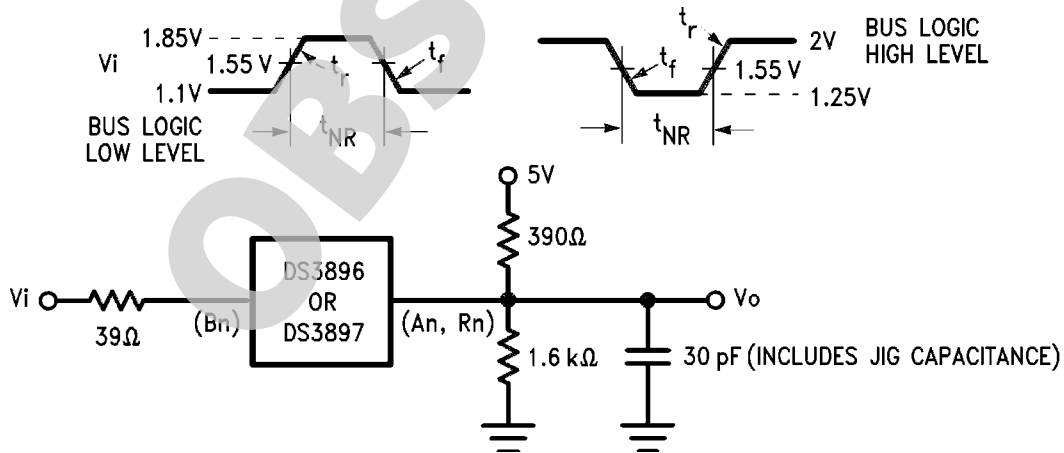
FIGURE 4. Propagation Delay from CD pin to An



Note:  $t_r = t_f \leq 5$  ns from 10% to 90%

851007

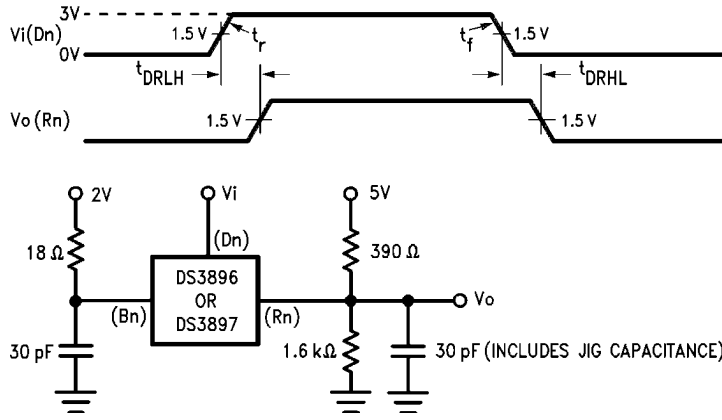
FIGURE 5. Propagation Delay from T/R pin to An or Bn



Note:  $t_r = t_f = 2$  ns from 10% to 90%

851008

FIGURE 6. Receiver Noise Immunity: "No Response at Output" Input Waveforms

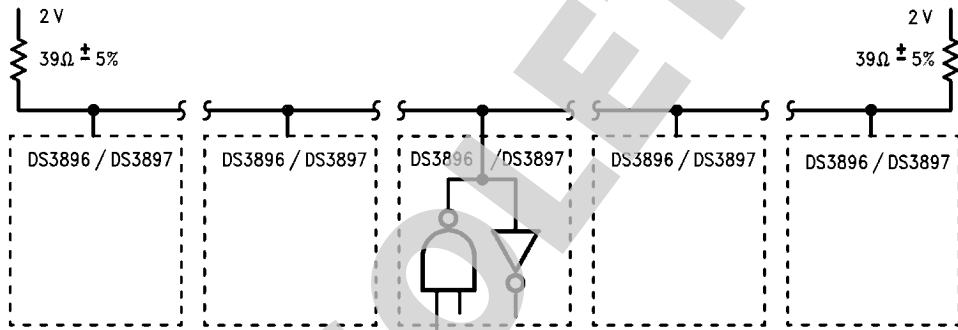


851009

Note:  $t_r = t_f \leq 5$  ns from 10% to 90%

FIGURE 7. Driver Plus Receiver Delays

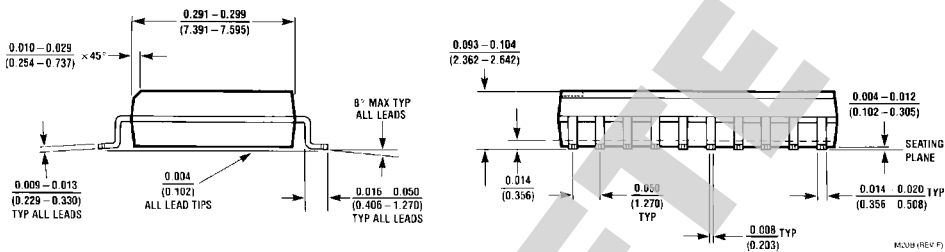
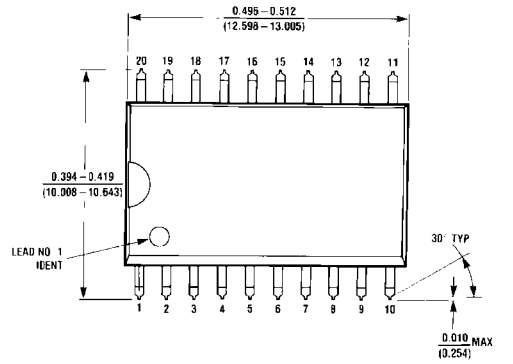
### Typical Application



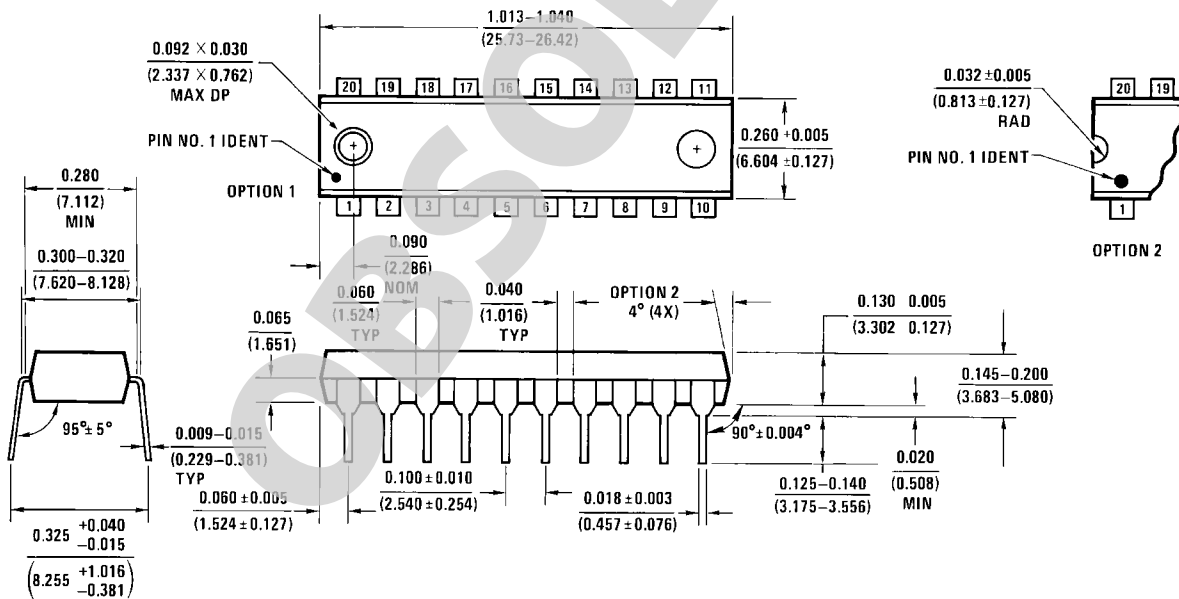
851010



**Physical Dimensions** inches (millimeters) unless otherwise noted



**20-Lead (0.300 Wide) Molded Small Outline Package, JEDEC (M)**  
**Order Number DS3896M or DS2897M**  
**NS Package Number M20B**



**Molded Dual-In-Line Package (N)**  
**Order Number DS3896N or DS3897N**  
**NS Package Number N20A**

## Notes

For more National Semiconductor product information and proven design tools, visit the following Web sites at:

Products		Design Support	
Amplifiers	<a href="http://www.national.com/amplifiers">www.national.com/amplifiers</a>	WEBENCH® Tools	<a href="http://www.national.com/webench">www.national.com/webench</a>
Audio	<a href="http://www.national.com/audio">www.national.com/audio</a>	App Notes	<a href="http://www.national.com/appnotes">www.national.com/appnotes</a>
Clock and Timing	<a href="http://www.national.com/timing">www.national.com/timing</a>	Reference Designs	<a href="http://www.national.com/refdesigns">www.national.com/refdesigns</a>
Data Converters	<a href="http://www.national.com/adc">www.national.com/adc</a>	Samples	<a href="http://www.national.com/samples">www.national.com/samples</a>
Interface	<a href="http://www.national.com/interface">www.national.com/interface</a>	Eval Boards	<a href="http://www.national.com/evalboards">www.national.com/evalboards</a>
LVDS	<a href="http://www.national.com/lvds">www.national.com/lvds</a>	Packaging	<a href="http://www.national.com/packaging">www.national.com/packaging</a>
Power Management	<a href="http://www.national.com/power">www.national.com/power</a>	Green Compliance	<a href="http://www.national.com/quality/green">www.national.com/quality/green</a>
Switching Regulators	<a href="http://www.national.com/switchers">www.national.com/switchers</a>	Distributors	<a href="http://www.national.com/contacts">www.national.com/contacts</a>
LDOs	<a href="http://www.national.com/ldo">www.national.com/ldo</a>	Quality and Reliability	<a href="http://www.national.com/quality">www.national.com/quality</a>
LED Lighting	<a href="http://www.national.com/led">www.national.com/led</a>	Feedback/Support	<a href="http://www.national.com/feedback">www.national.com/feedback</a>
Voltage Reference	<a href="http://www.national.com/vref">www.national.com/vref</a>	Design Made Easy	<a href="http://www.national.com/easy">www.national.com/easy</a>
PowerWise® Solutions	<a href="http://www.national.com/powerwise">www.national.com/powerwise</a>	Solutions	<a href="http://www.national.com/solutions">www.national.com/solutions</a>
Serial Digital Interface (SDI)	<a href="http://www.national.com/sdi">www.national.com/sdi</a>	Mil/Aero	<a href="http://www.national.com/milaero">www.national.com/milaero</a>
Temperature Sensors	<a href="http://www.national.com/tempensors">www.national.com/tempensors</a>	SolarMagic™	<a href="http://www.national.com/solarmagic">www.national.com/solarmagic</a>
Wireless (PLL/VCO)	<a href="http://www.national.com/wireless">www.national.com/wireless</a>	PowerWise® Design University	<a href="http://www.national.com/training">www.national.com/training</a>

THE CONTENTS OF THIS DOCUMENT ARE PROVIDED IN CONNECTION WITH NATIONAL SEMICONDUCTOR CORPORATION ("NATIONAL") PRODUCTS. NATIONAL MAKES NO REPRESENTATIONS OR WARRANTIES WITH RESPECT TO THE ACCURACY OR COMPLETENESS OF THE CONTENTS OF THIS PUBLICATION AND RESERVES THE RIGHT TO MAKE CHANGES TO SPECIFICATIONS AND PRODUCT DESCRIPTIONS AT ANY TIME WITHOUT NOTICE. NO LICENSE, WHETHER EXPRESS, IMPLIED, ARISING BY ESTOPPEL OR OTHERWISE, TO ANY INTELLECTUAL PROPERTY RIGHTS IS GRANTED BY THIS DOCUMENT.

TESTING AND OTHER QUALITY CONTROLS ARE USED TO THE EXTENT NATIONAL DEEMS NECESSARY TO SUPPORT NATIONAL'S PRODUCT WARRANTY. EXCEPT WHERE MANDATED BY GOVERNMENT REQUIREMENTS, TESTING OF ALL PARAMETERS OF EACH PRODUCT IS NOT NECESSARILY PERFORMED. NATIONAL ASSUMES NO LIABILITY FOR APPLICATIONS ASSISTANCE OR BUYER PRODUCT DESIGN. BUYERS ARE RESPONSIBLE FOR THEIR PRODUCTS AND APPLICATIONS USING NATIONAL COMPONENTS. PRIOR TO USING OR DISTRIBUTING ANY PRODUCTS THAT INCLUDE NATIONAL COMPONENTS, BUYERS SHOULD PROVIDE ADEQUATE DESIGN, TESTING AND OPERATING SAFEGUARDS.

EXCEPT AS PROVIDED IN NATIONAL'S TERMS AND CONDITIONS OF SALE FOR SUCH PRODUCTS, NATIONAL ASSUMES NO LIABILITY WHATSOEVER, AND NATIONAL DISCLAIMS ANY EXPRESS OR IMPLIED WARRANTY RELATING TO THE SALE AND/OR USE OF NATIONAL PRODUCTS INCLUDING LIABILITY OR WARRANTIES RELATING TO FITNESS FOR A PARTICULAR PURPOSE, MERCHANTABILITY, OR INFRINGEMENT OF ANY PATENT, COPYRIGHT OR OTHER INTELLECTUAL PROPERTY RIGHT.

#### LIFE SUPPORT POLICY

**NATIONAL'S PRODUCTS ARE NOT AUTHORIZED FOR USE AS CRITICAL COMPONENTS IN LIFE SUPPORT DEVICES OR SYSTEMS WITHOUT THE EXPRESS PRIOR WRITTEN APPROVAL OF THE CHIEF EXECUTIVE OFFICER AND GENERAL COUNSEL OF NATIONAL SEMICONDUCTOR CORPORATION.** As used herein:

Life support devices or systems are devices which (a) are intended for surgical implant into the body, or (b) support or sustain life and whose failure to perform when properly used in accordance with instructions for use provided in the labeling can be reasonably expected to result in a significant injury to the user. A critical component is any component in a life support device or system whose failure to perform can be reasonably expected to cause the failure of the life support device or system or to affect its safety or effectiveness.

National Semiconductor and the National Semiconductor logo are registered trademarks of National Semiconductor Corporation. All other brand or product names may be trademarks or registered trademarks of their respective holders.

Copyright© 2009 National Semiconductor Corporation

For the most current product information visit us at [www.national.com](http://www.national.com)



[www.national.com](http://www.national.com)

**National Semiconductor  
Americas Technical  
Support Center**

Email: [support@nsc.com](mailto:support@nsc.com)  
Tel: 1-800-272-9959

**National Semiconductor Europe  
Technical Support Center**

Email: [europe.support@nsc.com](mailto:europe.support@nsc.com)

**National Semiconductor Asia  
Pacific Technical Support Center**

Email: [ap.support@nsc.com](mailto:ap.support@nsc.com)

**National Semiconductor Japan  
Technical Support Center**

Email: [jpn.feedback@nsc.com](mailto:jpn.feedback@nsc.com)