

From Off-The-Shelf to Market-Ready© New Age Enclosures is your Single Source Solution.  
Let us quote modifying our Stock Enclosures to meet your end-use.  
visit [newageenclosures.com/services](http://newageenclosures.com/services) or call 855-4NA-ENCL today.

**CNC CUTOUTS**  
**PART DECORATING**  
**CUSTOM COLOR AND MATERIAL**  
**RF/EMI SHEILDING**  
**CUSTOM TOOL INSERTS**  
**CUSTOM ENCLOSURES AND DESIGN**



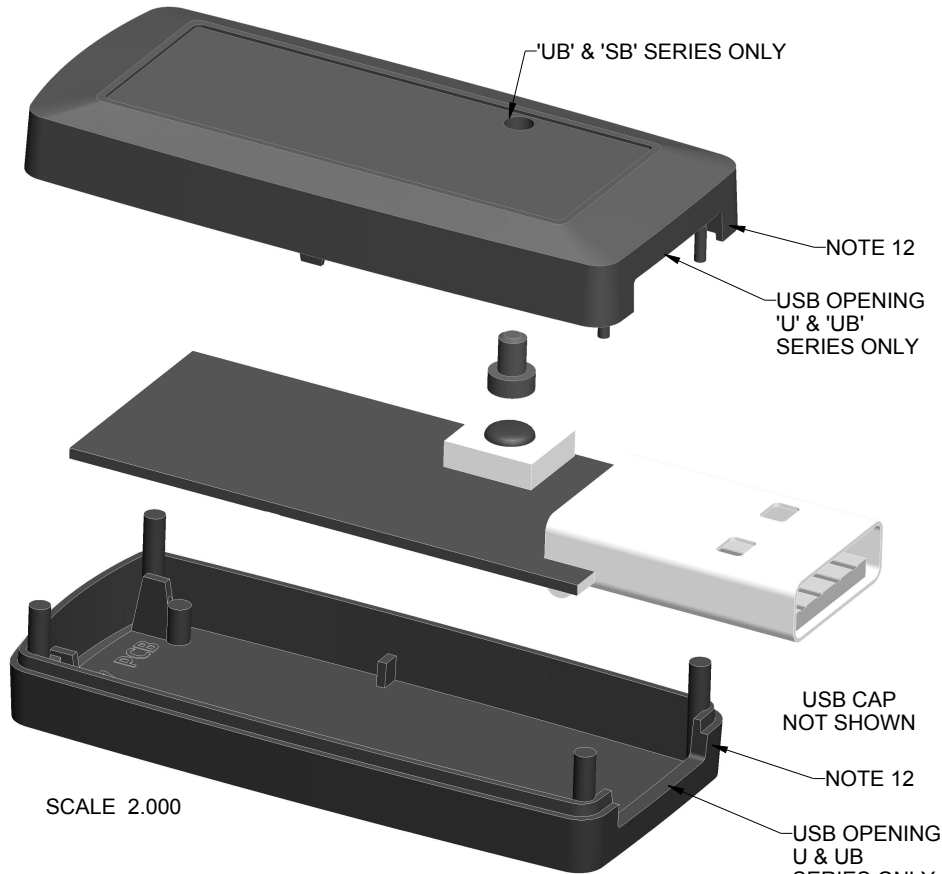
**NEW AGE**  
**ENCLOSURES**

DEVELOP THE FUTURE



180804(x) CONFIGURATIONS							
	-S	-U	-62U	-SB	-UB	-62UB	-B
180804 COVER	1						
180804 COVER w/USB OPENING		1	1				
180804 COVER w/BUTTON HOLE				1		1	
180804 COVER w/USB & BUTTON HOLE					1		
180804 BASE	1			1			
180804 BASE w/USB		1			1		
180804 BASE w/USB w/.062 PCB			1			1	
180804 BUTTON							1

R E V I S I O N					
REV.	DRAWN BY	ECO No	DESCRIPTION	DATE	APPROVED
1	M BOYER		PRELIMINARY RELEASE	2005-May-04	D.C.
			REVISIONS 2-11 ARCHIVED ON REV 12.1		
			REVISIONS 12.0-13.1 ARCHIVED ON REV 13.1		
14.0	M BOYER	02316	UPDATE CONFIGURATION TREE	2016-Apr-20	D.C.
15.0	M BOYER	04516	ADD .062" PCB OPTION TO CONFIGURATION TREE	2016-Sep-02	D.C.
16.0	M BOYER	03117	MAKE REFERENCE TO WALL RIB IN BASE NOT AVAILABLE IN ALL VERSIONS	2017-Dec-14	

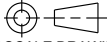


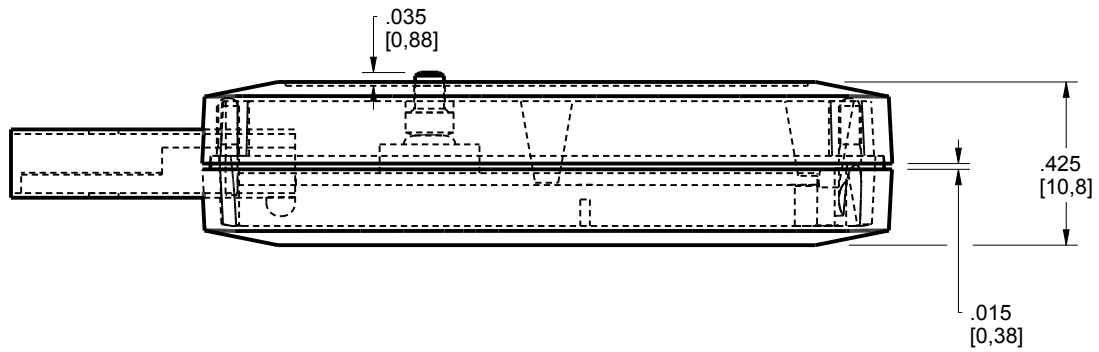
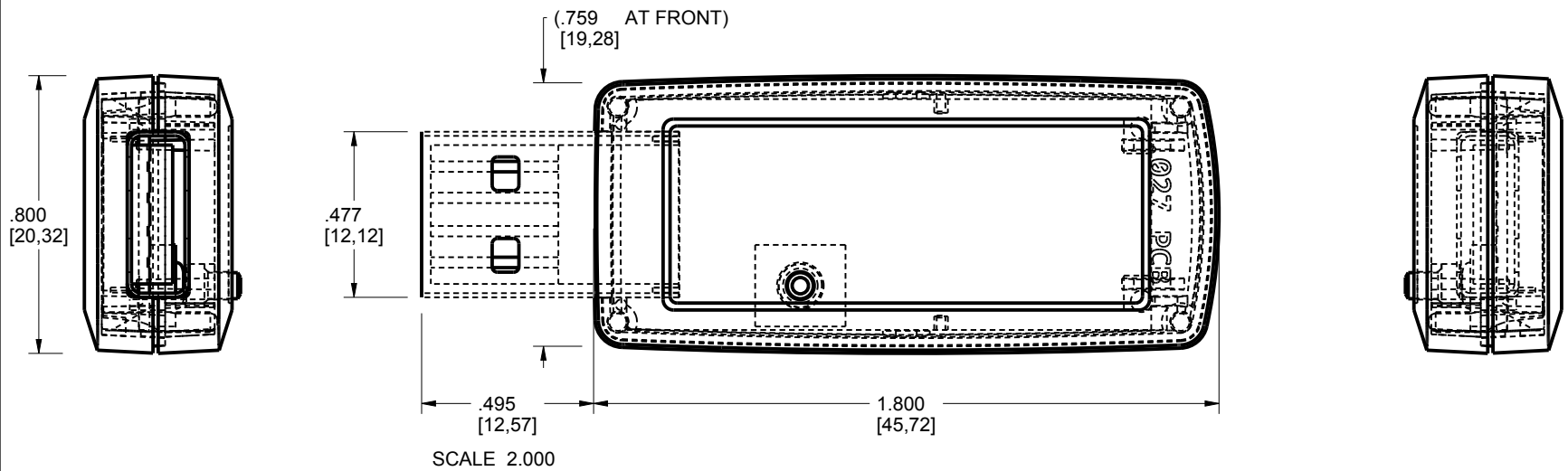
NOTES: UNLESS OTHERWISE SPECIFIED

- CORNERS DRAWN SHARP TO BE R.005 MAXIMUM.
- EXTERIOR SURFACE TEXTURE TO BE LIGHT EDM FINISH (EQUIVALENT TO MT-11010.)
- INTERIOR SURFACE TEXTURE TO BE: NONE
- ALL INSIDE RADII .010R, UNLESS OTHERWISE SPECIFIED.
- ALL EXTERNAL DIMENSIONS AFFECTED BY THE DRAFT APPLY AT THE LARGE END OF THE FEATURE, AND ALL INTERNAL FEATURES AFFECTED BY THE DRAFT APPLY AT THE SMALL END OF THE FEATURE UNLESS OTHERWISE SPECIFIED.
- 1 DEGREE DRAFT IN THE DIRECTION OF PULL IS PERMISSIBLE UNLESS OTHERWISE SPECIFIED.
- THIS ENCLOSURE IS A PRESS FIT ASSEMBLY. FOR PERMANENT CLOSURE: A DROP ADHESIVE OR ULTRASONIC WELDING IS REQUIRED.
- MATERIAL / COLOR: ABS PLASTIC IS STANDARD IN BLACK OR WHITE. CUSTOM MATERIALS AND COLORS ARE AVAILABLE UPON REQUEST FOR QUOTE.
- PCB SIZES ARE RECOMMENDATIONS ONLY. FINAL SIZES AND VERIFICATION OF ITS FIT ARE THE SOLE RESPONSIBILITY OF EACH CUSTOMER.
- STANDARD OR CUSTOM LABEL RECESSES ARE AVAILABLE FOR QUOTE.
- "STANDARD" VERSION ENCLOSURE COVER NOT AVAILABLE WITH RIBS. SEE SHEET 4 FOR DETAILS.
- THE GATE REMNANT FOR THIS ENCLOSURE IS LOCATED IN THIS POSITION TO MINIMIZE ANY COSMETIC IMPACT. IT IS HOWEVER VISIBLE AND VARIES IN SIZE / SHAPE. IT IS EASILY REMOVED WITH CLIPPERS. IF YOU WOULD LIKE NEW AGE TO CLIP THIS FOR YOU, PLEASE ASK YOUR SALES REPRESENTATIVE FOR A FREE QUOTE.
- ASSEMBLY POST DIMENSIONS WILL VARY DEPENDING ON THE "PRESS FIT" OF THE ENCLOSURE.

ITEM	DESCRIPTION	MATERIAL	COLOR	QTY.
4	180804 PCB - REFERENCE	.027"-.062" THICK	CUSTOMER SUPPLIED	1
3	180804UB COVER - STANDARD	ABS	BLACK or WHITE	1
2	180804UB BASE - STANDARD	ABS	BLACK or WHITE	1
1	180804 BUTTON	SOLD SEPERATE	--	1

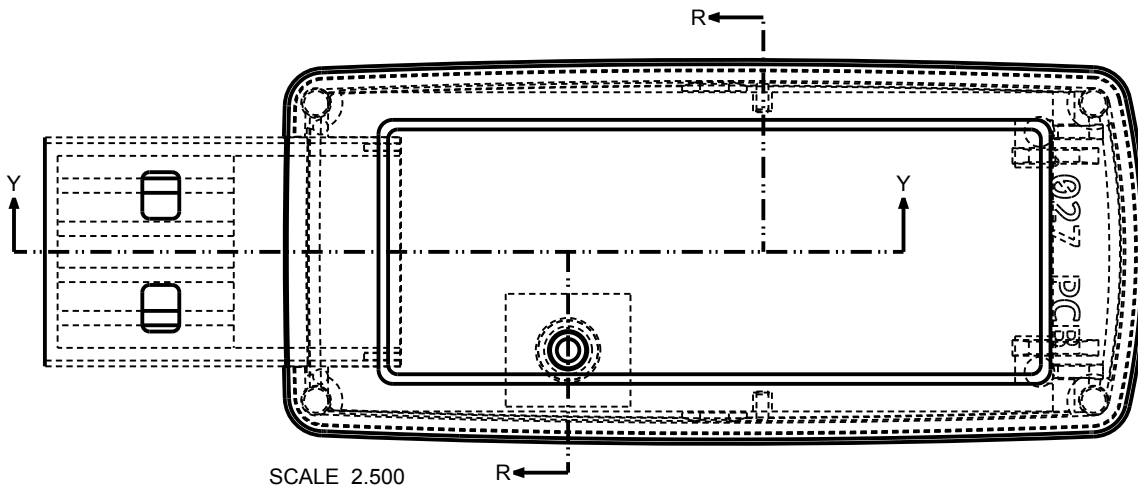
BILL OF MATERIALS

THIRD ANGLE PROJECTION  DO NOT SCALE DRAWING	TOLERANCES: UNLESS OTHERWISE SPECIFIED DIMENSIONS ARE IN U.S. INCHES. X.XX = .015 X.XXXX = .001 X.XXX = .010 X.X" = 1°	<b>NEW AGE ENCLOSURES</b> 2240 South Thornburg Street Santa Maria, CA. 93455 ph. (805) 595-1310 fax (805) 595-1024 <a href="http://www.newageenclosures.com">www.newageenclosures.com</a>
	Customer's Part No: 180804	
APPROVAL BY DATE CHECK _____ ENG. _____ SCALE AS NOTED	DRAWN BY M BOYER DATE 2005-May-04	SIZE A DRAWING NAME 180804_R16_0 SHEET 1 OF 8 REV.DOC 16.0

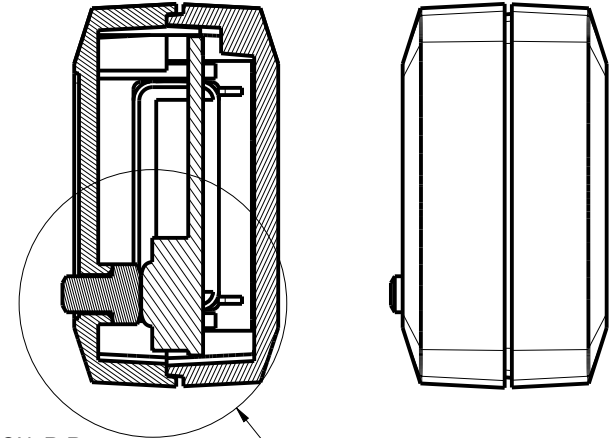


SCALE 2.000

TOLERANCES: UNLESS OTHERWISE SPECIFIED DIMENSIONS ARE IN U.S. INCHES. X.XX = .015 X.XXXX = .001 X.XXX = .010 X.X° = 1°		<b>NEW AGE ENCLOSURES</b>	
NEW AGE ENCLOSURES		2240 South Thornburg Street Santa Maria, CA. 93455 ph. (805) 595-1310 fax (805) 595-1024 www.newageenclosures.com	
Customer's Part No: 180804			
APPROVAL	BY	DATE	
CHECK			
ENG.			
SCALE	AS NOTED		
DRAWN BY	SIZE	DRAWING NAME	SHEET
M BOYER	2005-May-04	A 180804_R16_0	2 OF 8
STANDARD - USB DRIVE PXX-180804XX-XXX			REV.DOC 16.0

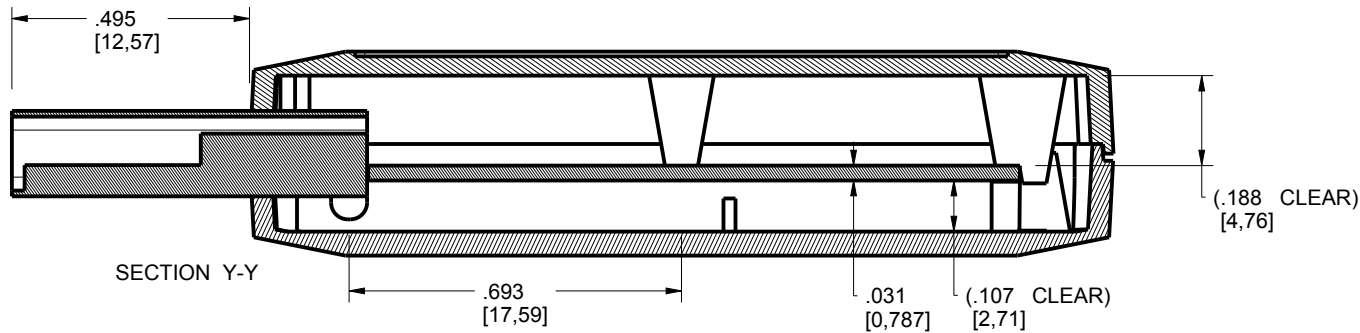


SCALE 2.500



SECTION R-R

SEE DETAIL A



SECTION Y-Y

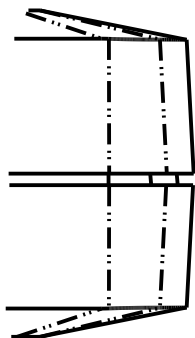
495  
[12,57]

(.188 CLEAR)  
[4,76]

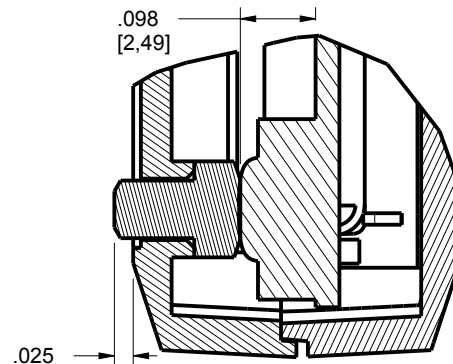
.693  
[17,59]

.031  
[0,787]

(.107 CLEAR)  
[2,71]



SECTION P-P  
SCALE 4.000



.025  
[0,62]

DETAIL A  
SCALE 4.000

TOLERANCES: UNLESS OTHERWISE SPECIFIED  
DIMENSIONS ARE IN U.S. INCHES.  
X.XX = .015 X.XXXX = .001  
X.XXX = .010 X.X° = 1°

**NEW AGE ENCLOSURES**  
2240 South Thornburg Street Santa Maria, CA. 93455  
ph. (805) 595-1310 fax (805) 595-1024

Customer's Part No: 180804

www.newageenclosures.com

APPROVAL	BY	DATE
CHECK		
ENG.		
SCALE	AS NOTED	

**STANDARD - USB DRIVE  
PXX-180804XX-XXX**

DRAWN BY  
M BOYER 2005-May-04

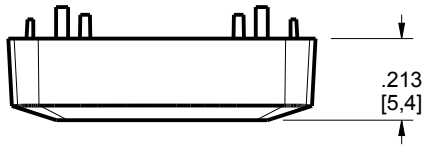
SIZE  
A 180804\_R16\_0

SHEET  
3 OF 8

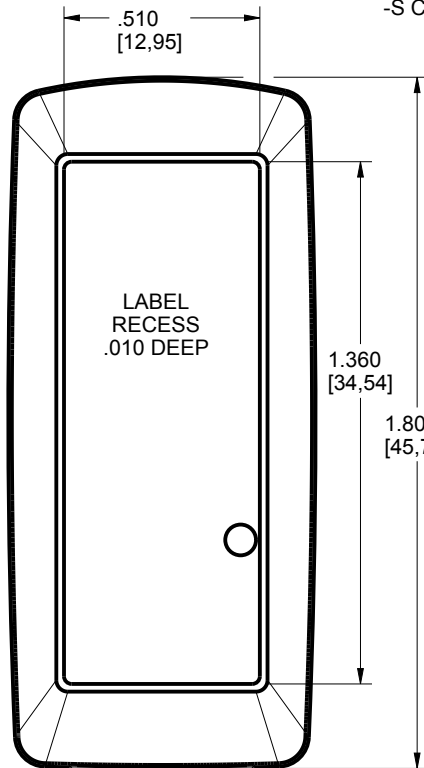
REV.DOC  
16.0

# 180804 COVER

NOTE: CONFIGURATION 180804-S ONLY  
 1. END RIBS NOT INCLUDED  
 2. 1 DEGREE DRAFT ON SIDE RIB  
 3. ALIGNMENT POSTS .080" TALL

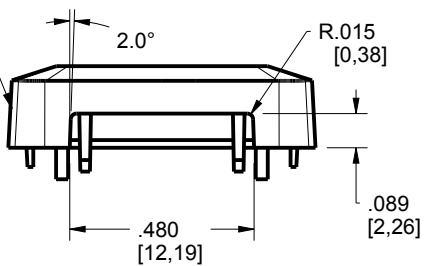


INTERIOR SUPPORT RIBS  
 NOT AVAILABLE ON  
 -S CONFIGURATION

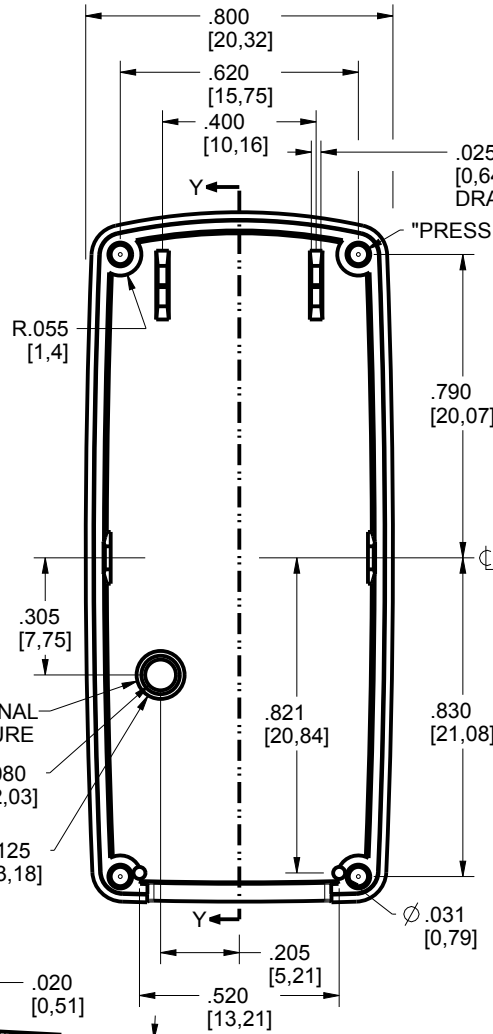
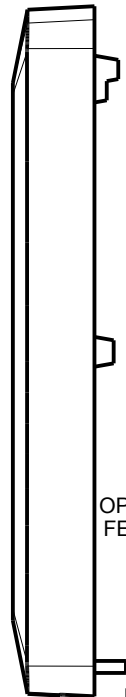


SCALE 2.000

3° DRAFT TYP.

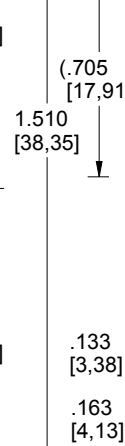


.032 FOR -S CONFIGURATION  
 .010 FOR -U/-UB CONFIGURATION

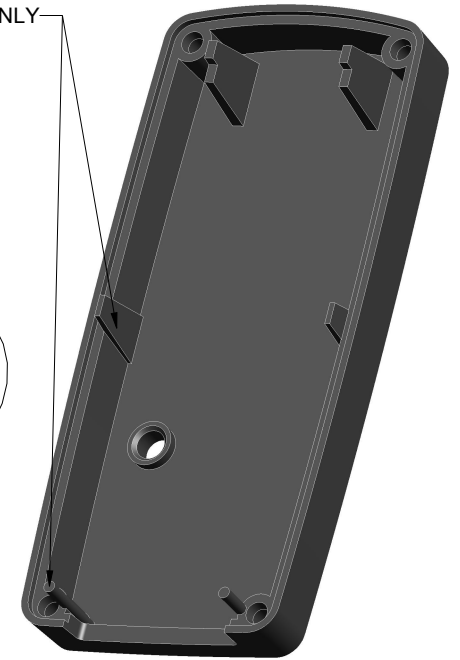


SEE DETAIL R

.025 +1°  
 [0,64]  
 DRAFT/SIDE



SECTION Y-Y



SCALE 2.000



TOLERANCES: UNLESS OTHERWISE SPECIFIED  
 DIMENSIONS ARE IN U.S. INCHES.  
 X.XX = .015 X.XXXX = .001  
 X.XXX = .010 X.X° = 1°

NEW AGE ENCLOSURES  
 Customer's Part No: 180804

APPROVAL BY DATE  
 CHECK  
 ENG.  
 SCALE AS NOTED

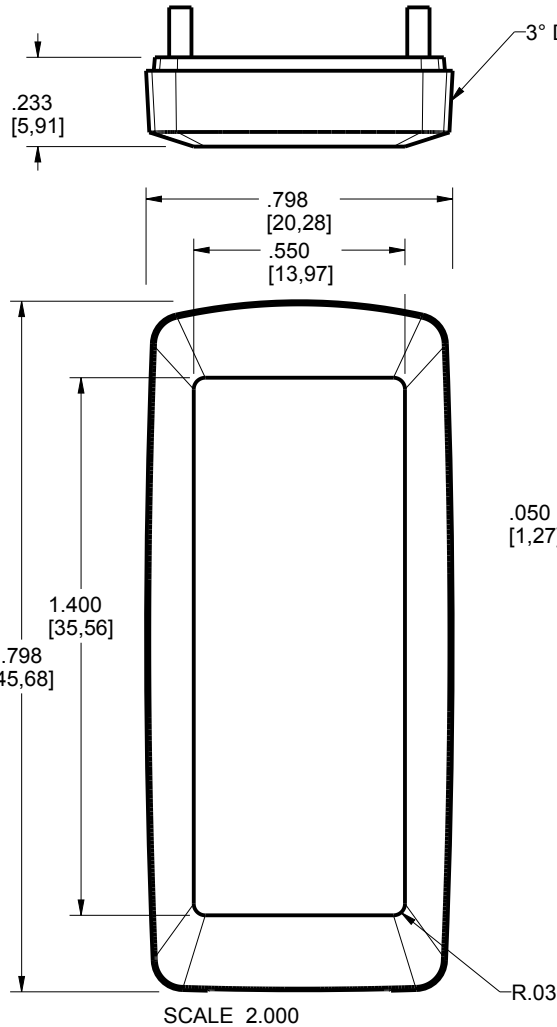
DRAWN BY M BOYER 2005-May-04

**NEW AGE ENCLOSURES**  
 2240 South Thornburg Street Santa Maria, CA. 93455  
 ph. (805) 595-1310 fax (805) 595-1024  
 www.newageenclosures.com

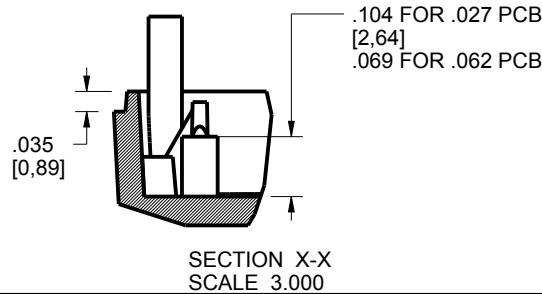
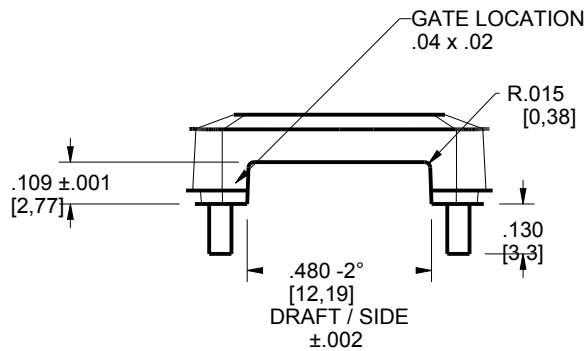
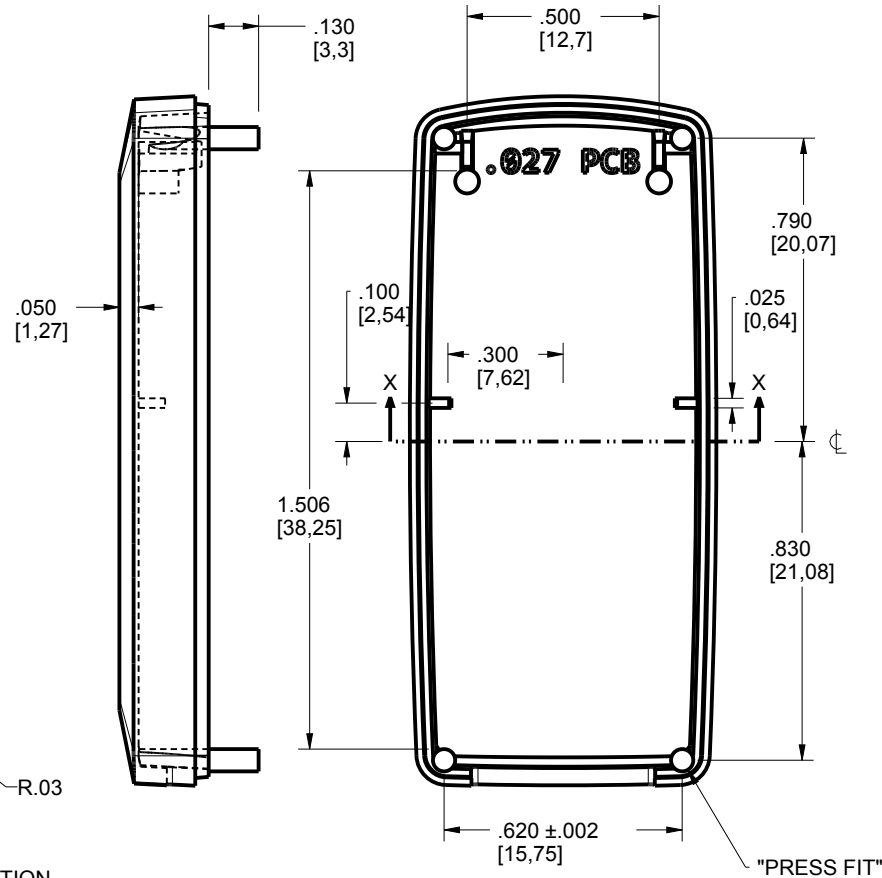
**STANDARD - USB DRIVE**  
**PXX-180804XX-XXX**

SIZE A DRAWING NAME 180804\_R16\_0 SHEET 4 OF 8 REV.DOC 16.0

# 180804 BASE



REFERENCE ONLY FEATURE.  
NOT AVAILABLE IN ALL VERSIONS.



TOLERANCES: UNLESS OTHERWISE SPECIFIED  
DIMENSIONS ARE IN U.S. INCHES.

X.XX = .015 X.XXXX = .001  
X.XXX = .010 X.XX° = 1°

NEW AGE ENCLOSURES

Customer's Part No: 180804

APPROVAL BY DATE

CHECK

ENG.

SCALE AS NOTED

DRAWN BY M BOYER 2005-May-04

**NEW AGE ENCLOSURES**

2240 South Thornburg Street Santa Maria, CA. 93455  
ph. (805) 595-1310 fax (805) 595-1024  
www.newageenclosures.com

STANDARD - USB DRIVE  
PXX-180804XX-XXX

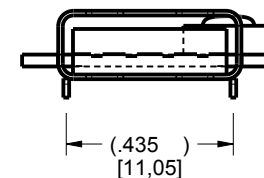
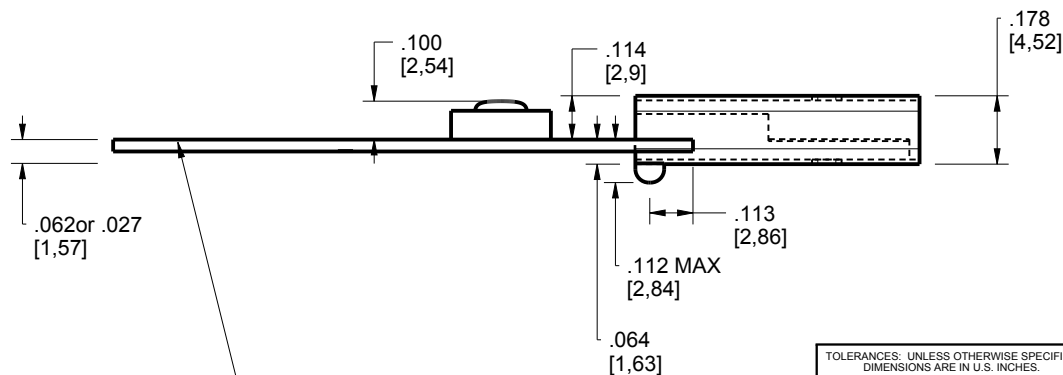
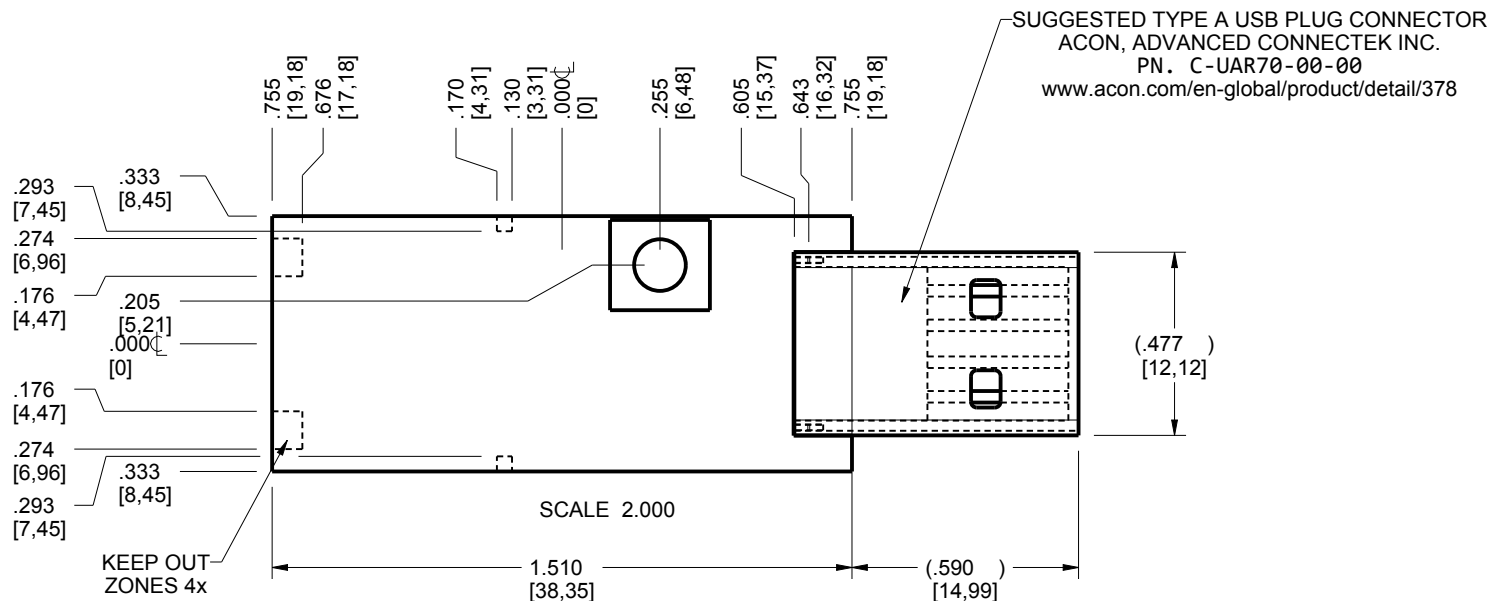
SIZE A DRAWING NAME 180804\_R16\_0

SHEET 5 OF 8 REV.DOC 16.0



# P180804 PCB - CUSTOMER SUPPLIED

PCB SIZES ARE RECOMMENDATIONS ONLY. FINAL SIZES AND VERIFICATION OF ITS FIT ARE THE SOLE RESPONSIBILITY OF THE CUSTOMER.



"STANDARD" 180804-S CONFIGURATION  
CAN ACCOMMODATE 0.027" to 0.031" PCB.  
OR  
180804-62 CONFIGURATION  
CAN ACCOMMODATE 0.062" PCB.

TOLERANCES: UNLESS OTHERWISE SPECIFIED  
DIMENSIONS ARE IN U.S. INCHES.  
X.XX = .015 X.XXXX = .001  
X.XXX = .010 X.X' = 1°

NEW AGE ENCLOSURES  
Customer's Part No: 180804

APPROVAL	BY	DATE
CHECK		
ENG.		
SCALE	AS NOTED	

DRAWN BY	2005-May-04
M BOYER	

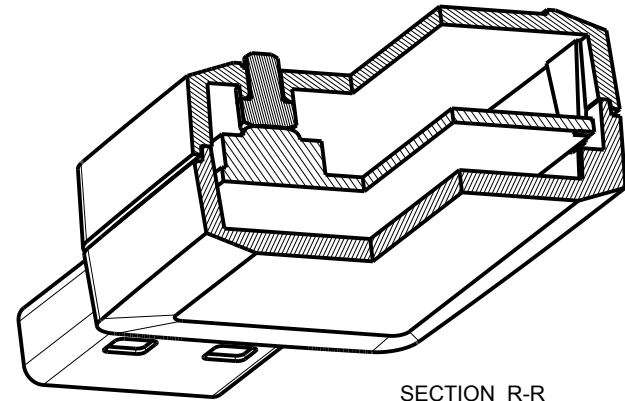
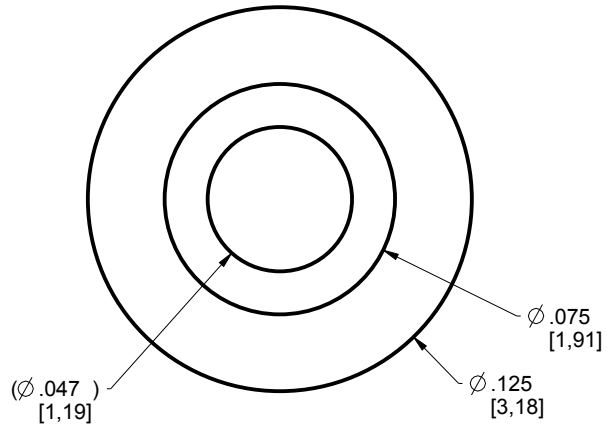
**NEW AGE ENCLOSURES**  
 2240 South Thornburg Street Santa Maria, CA. 93455  
 ph. (805) 595-1310 fax (805) 595-1024  
[www.newageenclosures.com](http://www.newageenclosures.com)

**STANDARD - USB DRIVE**  
**PXX-180804XX-XXX**

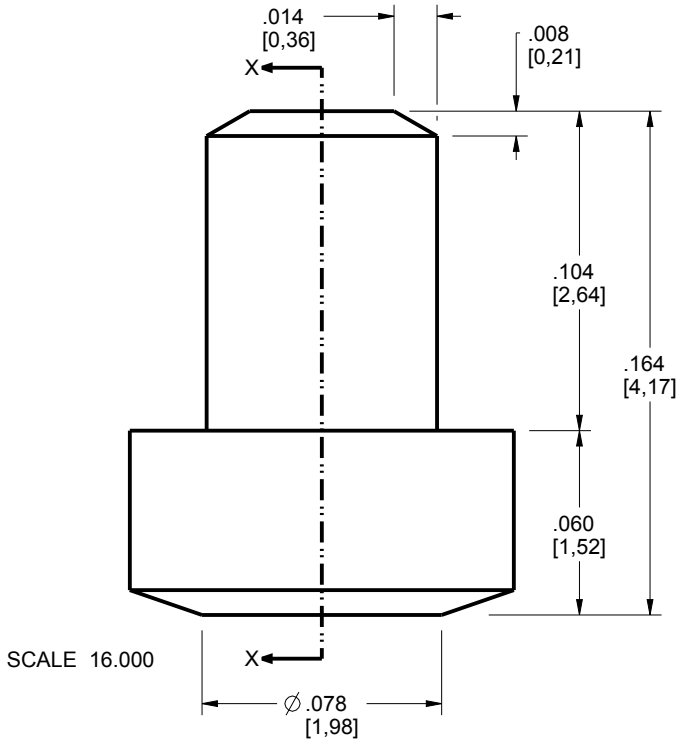
SIZE	DRAWING NAME	SHEET	REV.DOC
A	180804_R16_0	6 OF 8	16.0



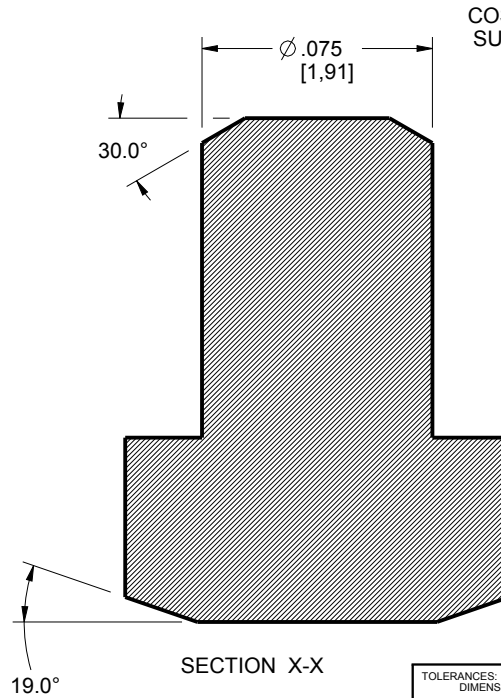
# OPTIONAL BUTTON



SECTION R-R  
SCALE 2.500

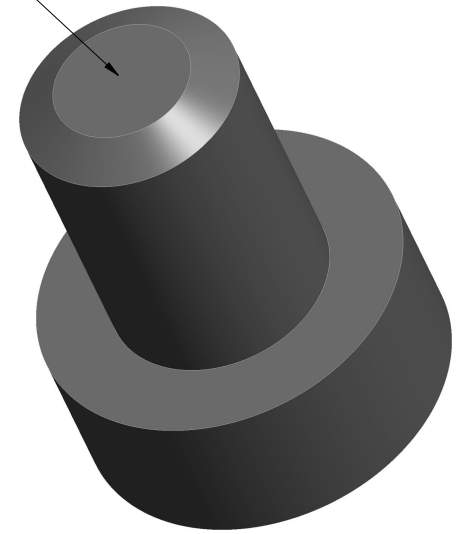


SCALE 16.000



SECTION X-X

COSMETIC SURFACE



SCALE 16.000

TOLERANCES: UNLESS OTHERWISE SPECIFIED  
DIMENSIONS ARE IN U.S. INCHES.

X.XX = .015 X.XXXX = .001  
X.XXX = .010 X.X° = 1°

NEW AGE ENCLOSURES

**NEW AGE ENCLOSURES**  
2240 South Thornburg Street Santa Maria, CA. 93455  
ph. (805) 595-1310 fax (805) 595-1024

www.newageenclosures.com

Customer's Part No: 180804

APPROVAL BY DATE

CHECK

ENG.

SCALE AS NOTED

**STANDARD - USB DRIVE**  
**PXX-180804XX-XXX**

DRAWN BY M BOYER 2005-May-04

SIZE A DRAWING NAME 180804\_R16\_0

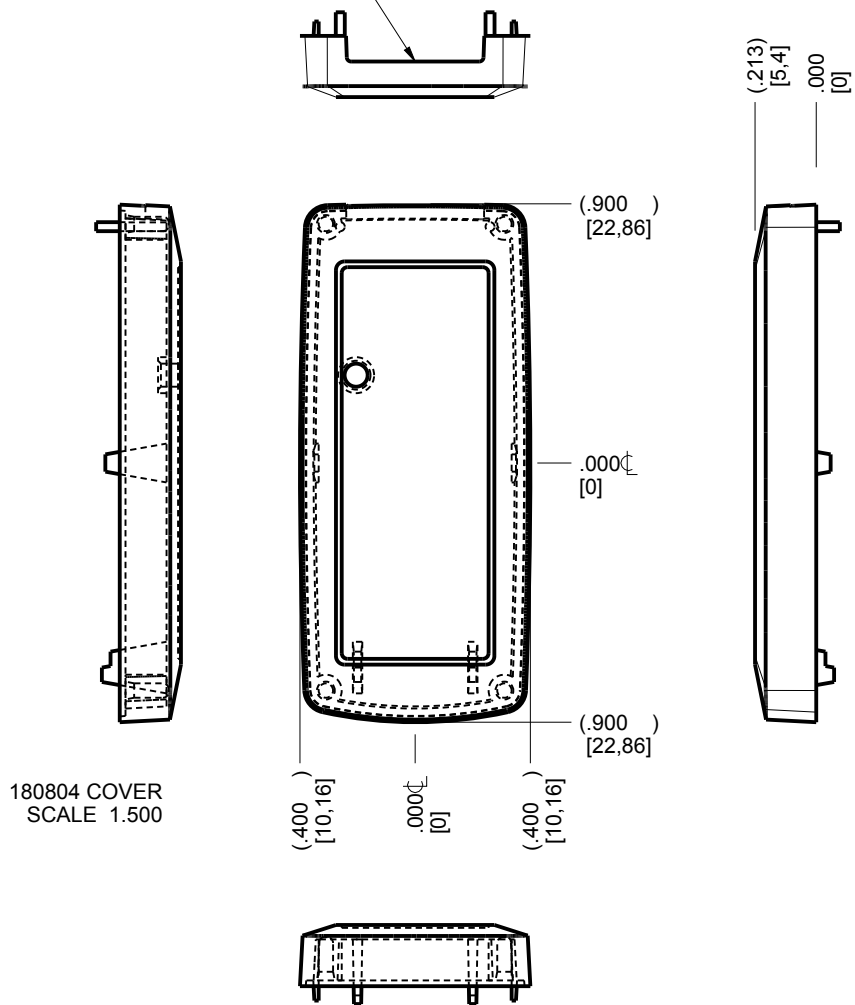
SHEET 7 OF 8 REV.DOC 16.0

## 2nd OPERATION DETAILS

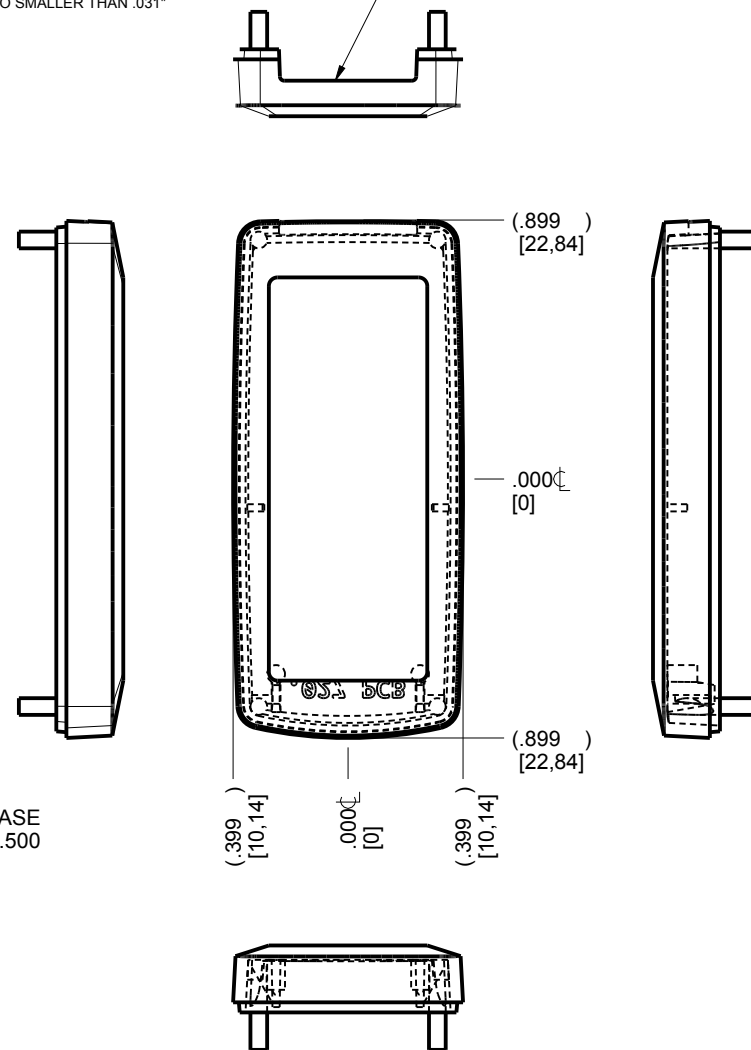
NEW AGE ENCLOSURES DELIVERS YOUR ENCLOSURE MARKET-READY WITH IN-HOUSE  
CNC MACHINING, PAD PRINTING, ASSEMBLY, AND FULFILLMENT.  
ALL SURFACES AND AREAS ARE AVAILABLE FOR CNC ALTERATION BY NEW AGE ENCLOSURES  
CALL (805) 595-1310 FOR PRICING AND SCHEDULE.  
THE INSIDE RADIUS OF ANY MACHINED FEATURES SHOULD BE NO SMALLER THAN .031"

MOLDED TYPE A  
USB OPENING

MOLDED TYPE A  
USB OPENING



180804 COVER  
SCALE 1.500



180804 BASE  
SCALE 1.500

### PXX-180804U-XXX COVER - ABS, BLACK

STEP NO	DESCRIPTION	CUTTER	FIXTURE	ORIENTATION	PROGRAM
1-C-C1	END CUT	T2 = .062" EM	100	2 UP LR- CENTER XY	o1001
2-C-C2	END CUT	T2 = .062" EM	100	2 UP LR- CENTER XY	o1002

### PXX-180804U-XXX BASE - ABS, BLACK

STEP NO	DESCRIPTION	CUTTER	FIXTURE	ORIENTATION	PROGRAM
3-B-C1	END CUT	T2 = .062" EM	100	2 UP LR- CENTER XY	o1003
4-B-C2	END CUT	T2 = .062" EM	100	2 UP LR- CENTER XY	o1004

TOLERANCES: UNLESS OTHERWISE SPECIFIED  
DIMENSIONS ARE IN U.S. INCHES.  
X.XX = .015 X.XXXX = .001  
X.XXX = .010 X.X° = 1°

NEW AGE ENCLOSURES  
Customer's Part No: 180804

APPROVAL	BY	DATE
CHECK		
ENG.		
SCALE	AS NOTED	
DRAWN BY	M BOYER	
	2005-May-04	

**NEW AGE ENCLOSURES**  
2240 South Thornburg Street Santa Maria, CA. 93455  
ph. (805) 595-1310 fax (805) 595-1024  
www.newageenclosures.com

<b>STANDARD - USB DRIVE PXX-180804XX-XXX</b>	
SIZE	DRAWING NAME
A	180804_R16_0
SHEET	REV.DOC
8 OF 8	16.0