

PART NAME: KNOB SCALE: 1:1 DATE: 8/14/96 DR. BY HD

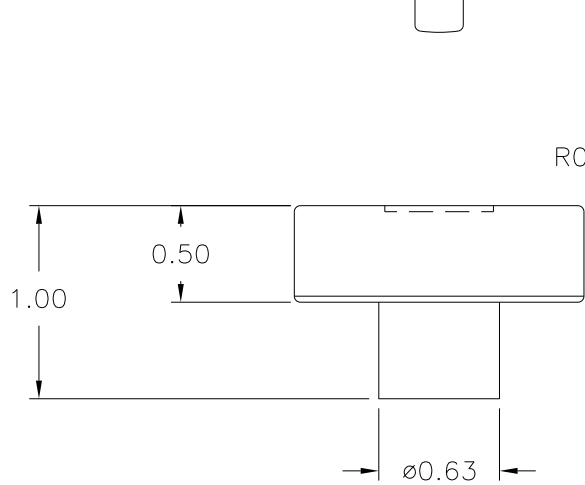
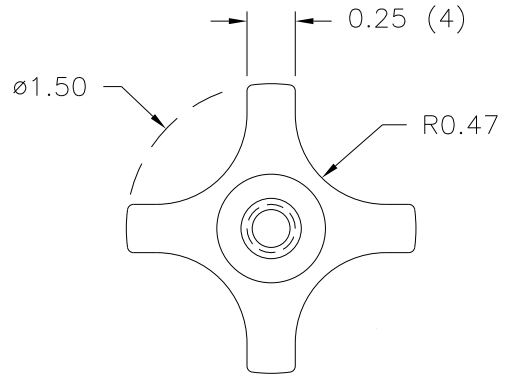
THIS DRAWING IS THE PROPERTY OF DAVIES MOLDING COMPANY, IS SUBMITTED SOLELY AS A DESIGN OR ENGINEERING PROJECT. WE ACCEPT NO RESPONSIBILITY WHATSOEVER FOR THE PRACTICAL APPLICATION OF THE PIECES MADE TO THIS DESIGN.



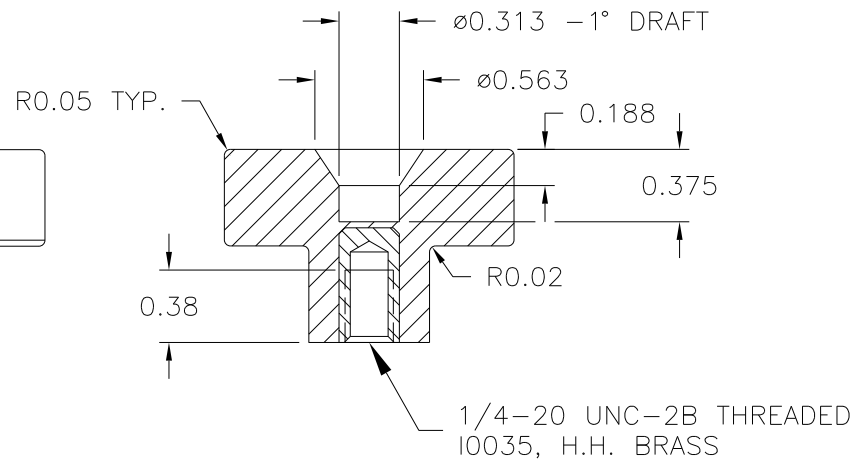
DESIGNERS & MANUFACTURERS OF KNOBS, HANDLES, CASES & CUSTOM PLASTIC COMPONENTS

P/N 2820AT
BASE PART 2820-01

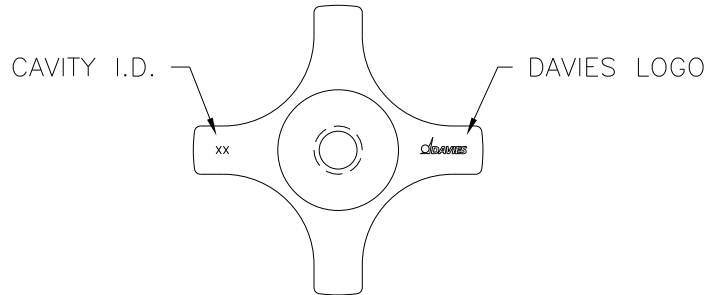
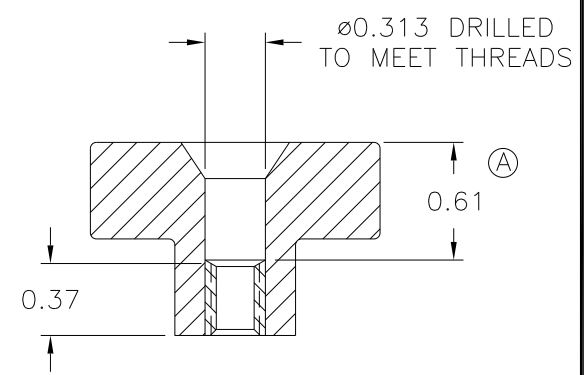
©



AFTER MOLDING



AFTER FINISHING



MATERIAL: G.P. PHENOLIC (B11)
COLOR: BLACK

| | | | | | |
|---|----------------------------------|---------|--|-----|----------|
| TOLERANCES: UNLESS OTHERWISE SPECIFIED | DO NOT SCALE DRAWING | C | ADDED BASE PART | JAM | 4/18/13 |
| | | B | ADDED INNER & OUTER PINS, CORRECTED TOOLING BOX | TS | 10/31/02 |
| DECIMALS: X.XXX ± .005 X.XX ± .015 | MM: X.XX ± 0.15MM X.X ± 0.4MM | - | REDRAWN | TL | 11/19/99 |
| | | A | ADDED 0.61 | MP | 3/12/97 |
| FRACTIONS ± 1/64 | ANG. ± 1° | CHANGES | | | |