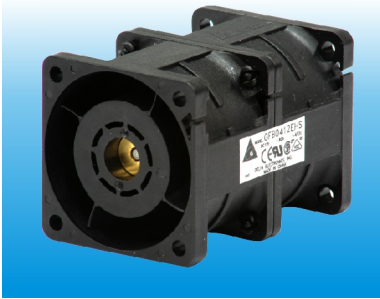
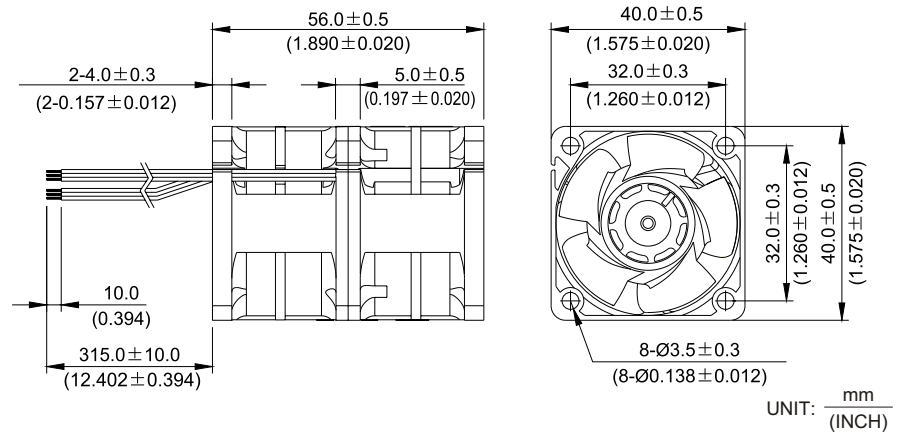


New



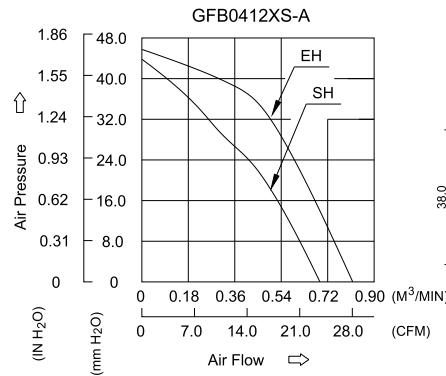
GFB 40 x 40 x 56 MM SERIES

DIMENSIONS DRAWING

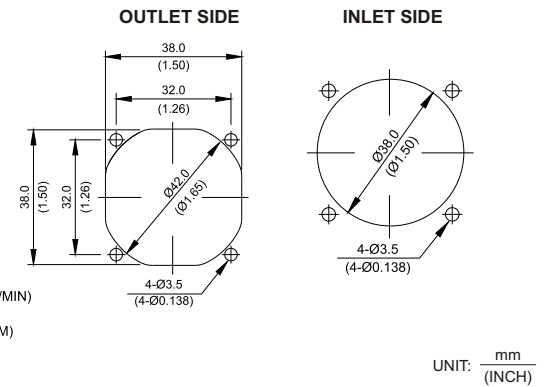


- * Bearing Type
Ball Bearings
- * Material
Impeller & Frame: Plastic (UL94V-0)
- * Lead Wires : UL 1061 AWG#26
OR Equivalent
Red Wire Positive (+)
Black Wire Negative (-)
- * Weight : 84g (2.96 oz)

P & Q CURVE (AT RATED VOLTAGE)



MOUNTING PANEL CUTOUT



| MODEL | | | Rated Voltage | Operating Voltage Range | Rated Current | Rated Input Power | Speed (Front /Rear) | Maximum Air Flow | | Maximum Air Pressure | | Noise |
|------------|------|-------------|---------------|-------------------------|---------------|-------------------|---------------------|---------------------|-------|----------------------|---------------------|-------|
| PART NO. | REV. | FUNCTION | VDC | VDC | Amp | Watt | R.P.M. | m ³ /min | CFM | mmH ₂ O | IN H ₂ O | dB-A |
| GFB0412SHS | -A | -R00 / -F00 | 12 | 7.0 to 13.2 | 1.02 | 12.24 | 16200/7800 | 0.659 | 23.29 | 44.41 | 1.748 | 58.5 |
| GFB0412EHS | -A | -R00 / -F00 | 12 | 7.0 to 13.2 | 1.40 | 16.80 | 16200/12000 | 0.762 | 26.92 | 45.76 | 1.802 | 62.5 |

* Function type is optional.
 * The max. air flow and the speed are measured in free air ; max. air pressure is measured at zero air flow.
 * Noise is measured in anechoic chamber in free air, one meter from intake side.
 * All readings are typical values at rated voltage.
 * Specifications are subject to change without notice.