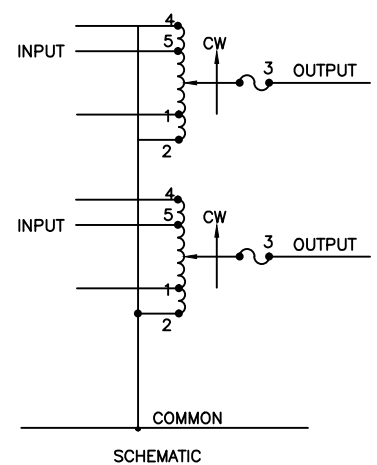


**NOTES:**

- JUMPER PROVIDED IN THE STANDARD COMMON POSITION AND SHOULD BE MOVED OR REMOVED AS REQUIRED.
- †† IF GANGED UNITS ARE USED IN A SYSTEM THAT ORDINARILY HAS A COMMON NEUTRAL OR GROUND BETWEEN SOURCE AND LOAD, THE NEUTRAL OR GROUND MUST BE CONNECTED TO THE COMMON TERMINALS OF THE VARIABLE TRANSFORMER ASSEMBLY. IF THE SYSTEM HAS NO NEUTRAL, THE LOAD MUST BE BALANCED OR THE TRANSFORMERS WILL BE DAMAGED.
- ++ LINE TO LINE VOLTAGE.



**NOTE:**  
FUSE RECOMMENDED BUT NOT SUPPLIED NEUTRAL FOR THREE PHASE ONLY

SPECIFICATIONS											
WIRING	INPUT		OUTPUT				SHAFT ROTATION TO INCREASE VOLTAGE	TERMINAL CONNECTIONS			
	VOLTS	HERTZ	VOLTS	CONSTANT CURRENT LOAD		CONSTANT IMPEDANCE LOAD		FOR INCREASING VOLTAGE AS VIEWED FROM BASE END			
				MAX. AMPS	MAX. KVA	MAX. AMPS		MAX. KVA	INPUT	JUMPER <sup>†</sup>	OUTPUT
SINGLE PHASE SERIES	240	50/60	0-240	15	3.60	20	4.80	CW	2-2	4-4	3-3
			0-280	15	4.20	—	—	CCW	4-4	2-2	3-3
THREE PHASE OPEN DELTA ††	120	50/60	0-120	15	3.12	20	4.15	CW	2-4-2	4-4	3-4-3
								CCW	4-2-4	2-2	3-2-3
			0-140	15	3.64	—	—	CW	1-4-1	4-4	3-4-3
								CCW	5-2-5	2-2	3-2-3

UNLESS OTHERWISE SPECIFIED, TOLERANCE IS ±		DECIMALS		HOLES		ANGLES		DRAFT		UNITS		TITLE:			
.XX		.0005		1°		1-1/2°		IN [mm]		SPEC. CONTROL DWG. VARIABLE TRANSFORMER TYPE: 1510C-2					
MATERIAL:		ALL DIMENSIONS APPLY AFTER PLATING		DRAWN BY		DATE		FIRST USED ON		DO NOT SCALE DWG.		CUSTOMER APPROVAL		DATE	
The information and design disclosed herein was originated by and is the property of STACO ENERGY PRODUCTS CO., which reserves all patent, proprietary, design, manufacturing, reproduction, use and sale rights therein, and to any article disclosed therein except to the extent rights are expressly granted to others. The foregoing does not apply to vendor proprietary parts.		TIM RAU		8/21/96						CODE IDENT. NO. 83008		DWG. NO. 031-3662			
		CHECKER		DATE		WEIGHT APPROX. 35.25		SCALE .5=1		SHEET 1 OF 1		C			