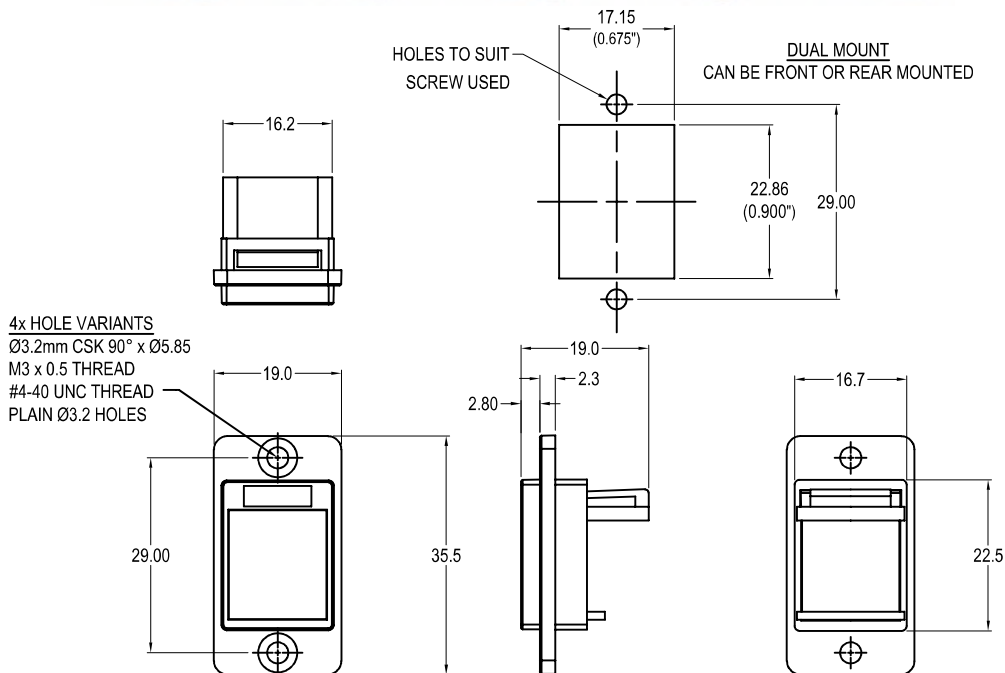


# CLIFF

## DUALSLIM BLANK METAL FRAME FEEDTHROUGH CONNECTOR

Can be front or rear mounted in the panel



### VARIANTS

Part No.

<b>CP30741M</b>	DUALSLIM Blanking Plate Nickel frame, CSK holes
<b>CP30741MB</b>	DUALSLIM Blanking Plate Black metal frame, CSK holes
<b>CP30741M3</b>	DUALSLIM Blanking Plate Nickel frame, M3 holes
<b>CP30741MB3</b>	DUALSLIM Blanking Plate Black metal frame, M3 holes
<b>CP30741M440</b>	DUALSLIM Blanking Plate Nickel frame, #4-40 holes
<b>CP30741MB440</b>	DUALSLIM Blanking Plate Black metal frame, #4-40 holes
<b>CP30741MX1</b>	DUALSLIM Blanking Plate Nickel frame, Ø3.2 PLAIN holes
<b>CP30741MBX1</b>	DUALSLIM Blanking Plate Black metal frame, Ø3.2 PLAIN holes

### Feedthrough Features

- Fits standard rectangular cutout.
- Various hole mounting options.
- No soldering or punch termination. Use standard cable for each connector style.
- Low rear profile.

### Material:

1. Insert: ABS
2. Frame: Diecast, Nickel or Black plated

### General:

Please note: Functionality is affected by cable quality, length and cable wiring configuration.

For further information, contact [sales@cliffuk.co.uk](mailto:sales@cliffuk.co.uk)

© CLIFF 02/2021 ISS.1

**Cliff Electronic Components Limited,**  
76 Holmethorpe Avenue, Holmethorpe Ind. Estate,  
Redhill, Surrey RH1 2PF U.K.  
Tel: +44 (0)1737 771375 Fax: +44 (0)1737 766012



[www.cliffuk.co.uk](http://www.cliffuk.co.uk)