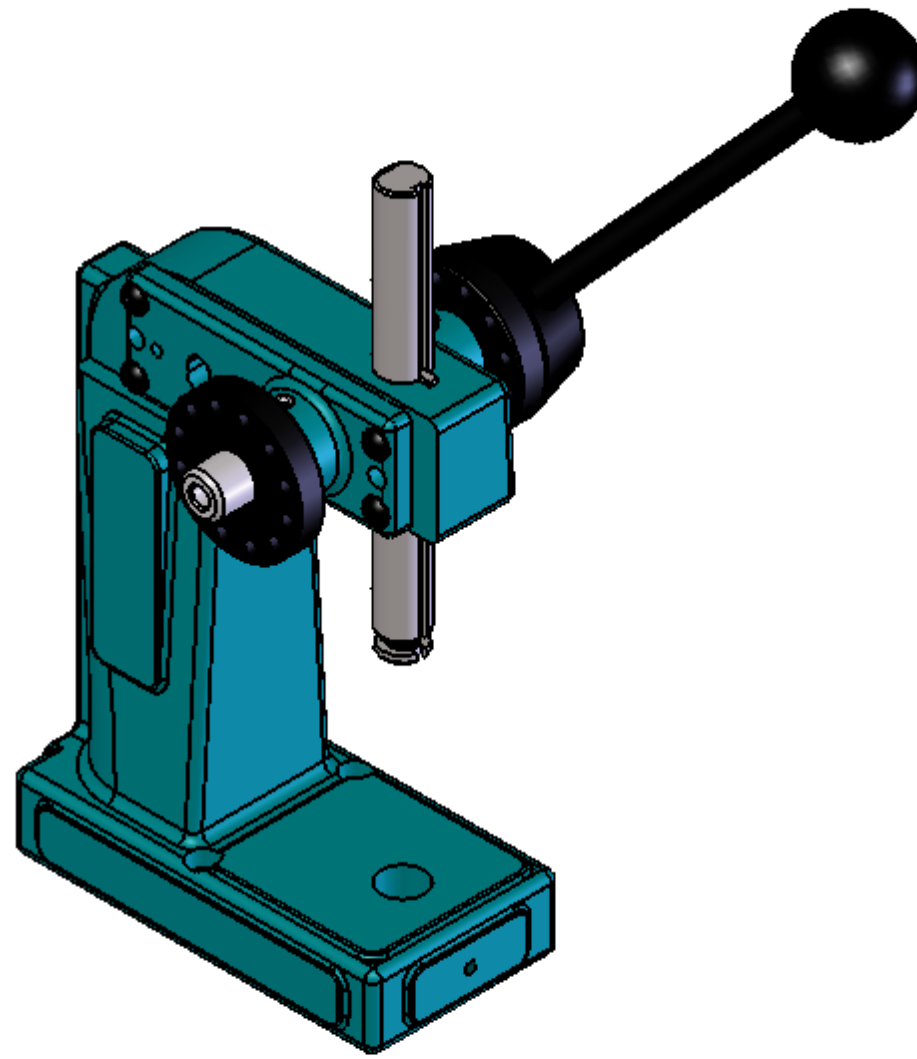
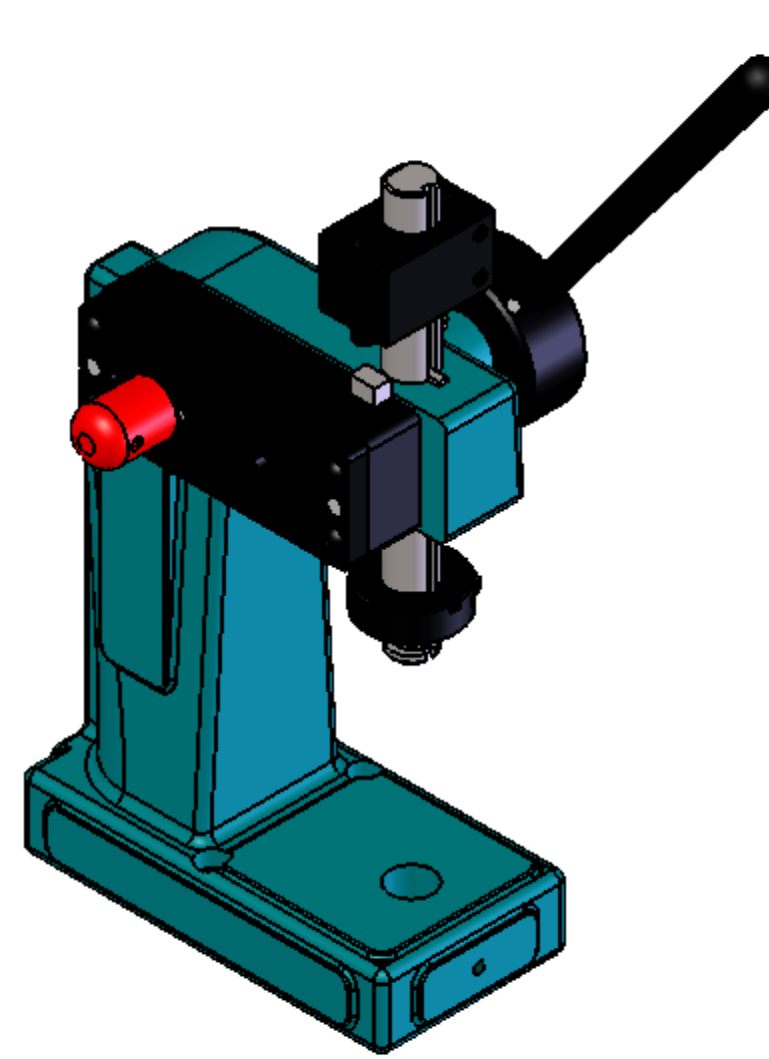


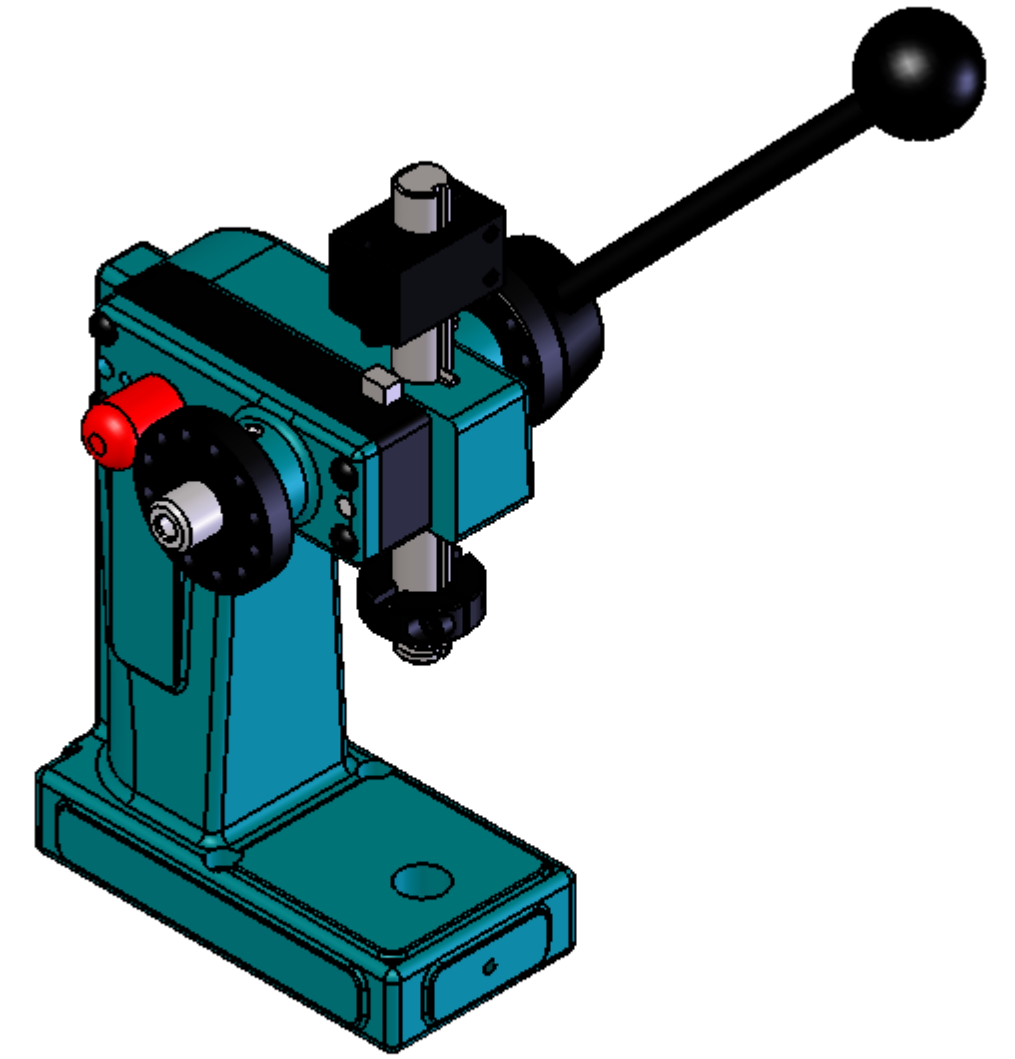
ILP-500



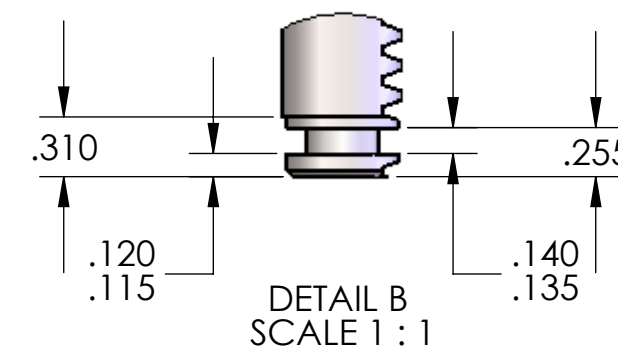
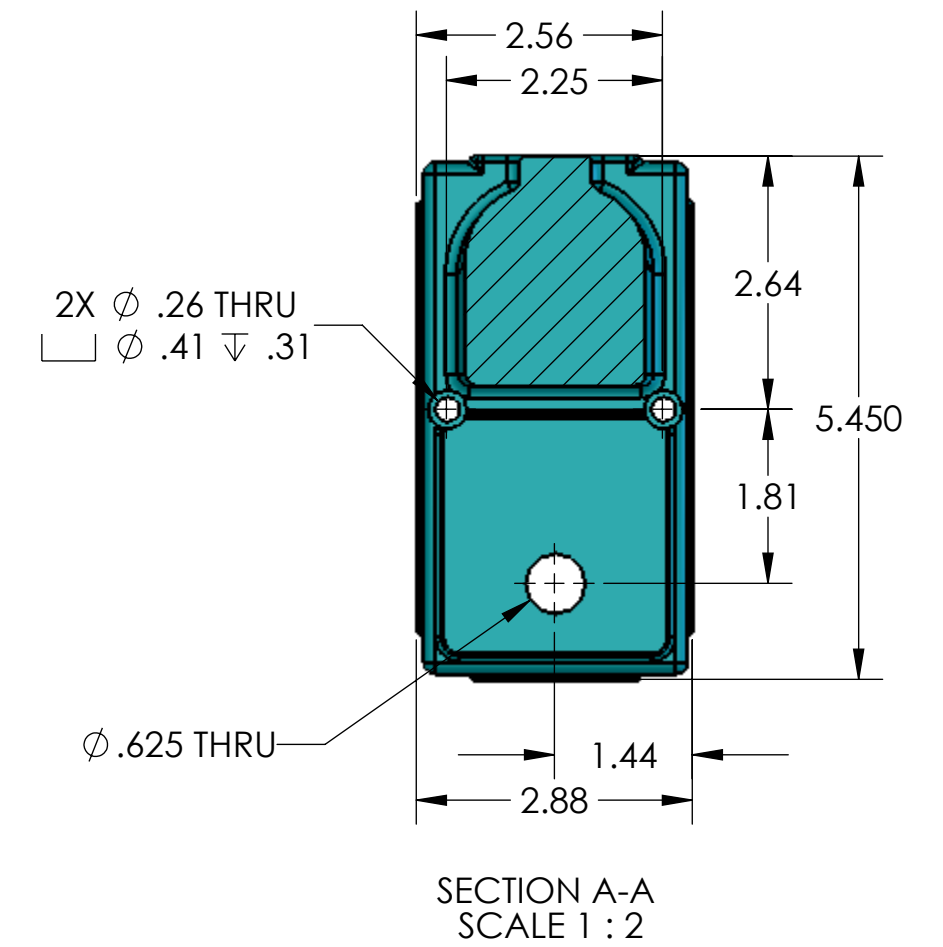
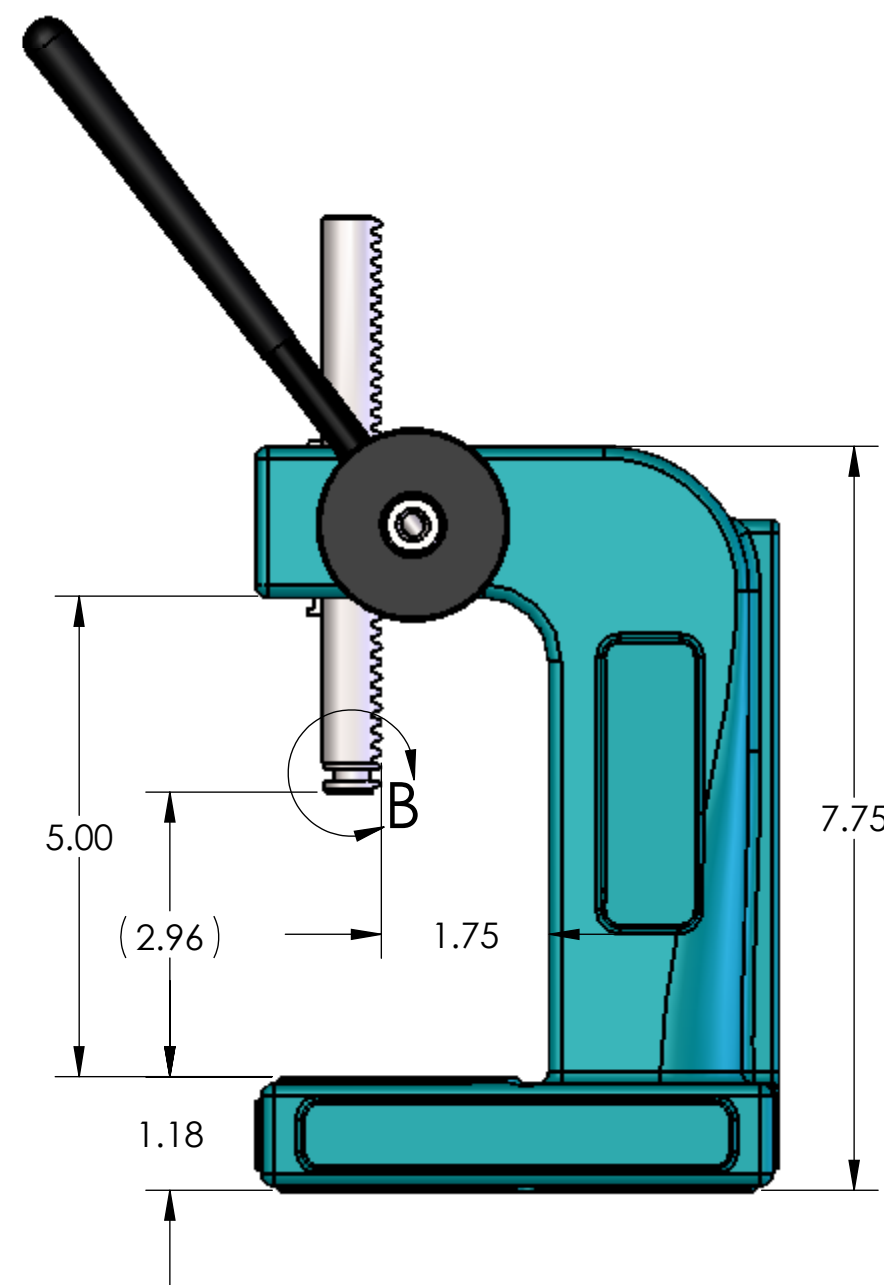
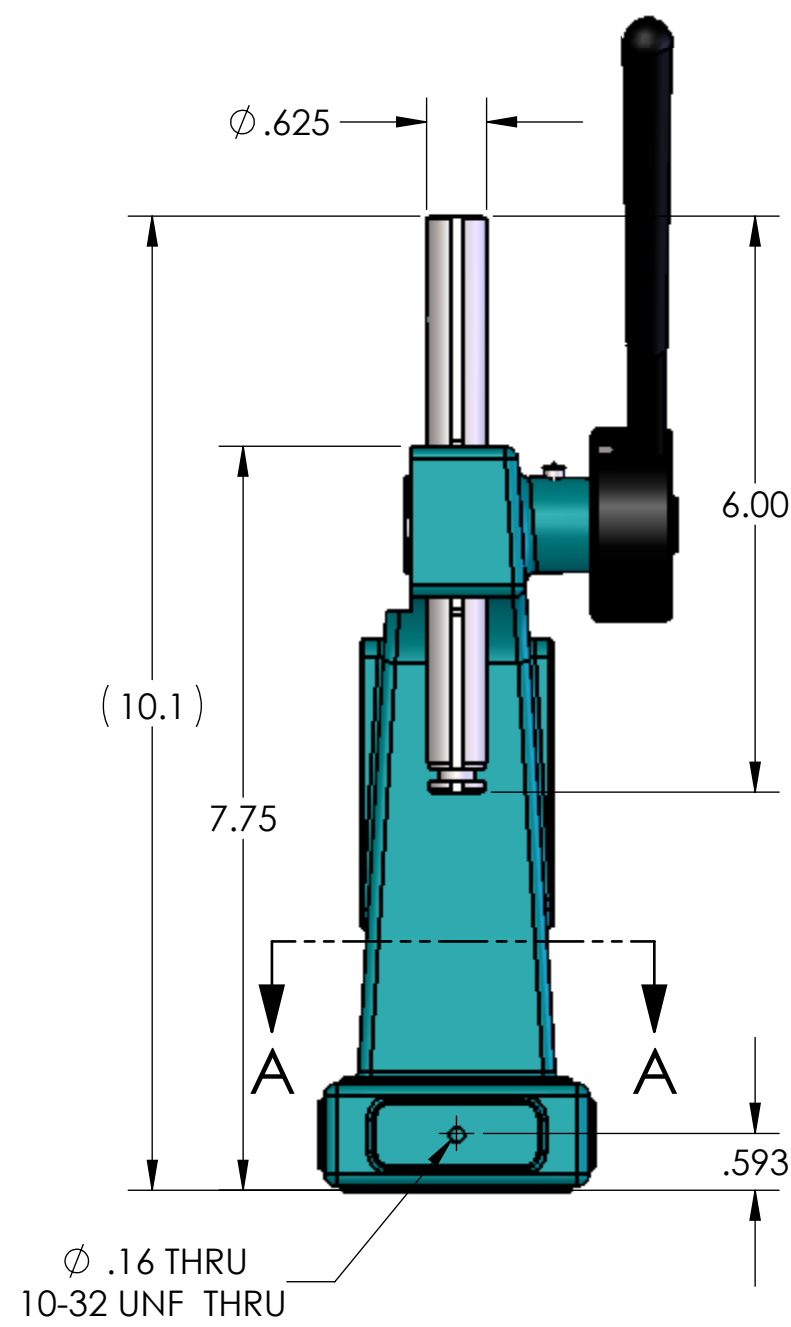
ILP-500-AH



ILP-500-FS

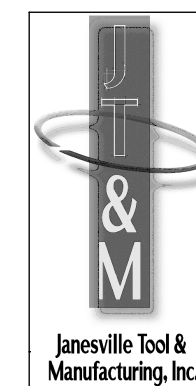


ILP-500-AH-FS



NOTES:

1. ADJUSTABLE HANDLE MODELS ARE INDEXABLE
2. ATTACHMENT OPTION IS SHOW IN FRONT AND RIGHT VIEWS
3. HANDLE IS $\phi 3/8"$ X 6.0 LG



Janesville Tool & Manufacturing Inc.
 3930 Enterprise Drive
 Janesville, WI 53546
 Phone: 608-314-1620, Fax 608-314-1625

TITLE: ILP-500 PRESS		
SIZE C	DWG. NO. ILP-500 SERIES	REV -
SCALE: 1:8	WEIGHT: 13.03	SHEET 1 OF 1