



Computing Solutions



Comprehensive power management, switching, timing, and protection solutions for computing platforms from ON Semiconductor.



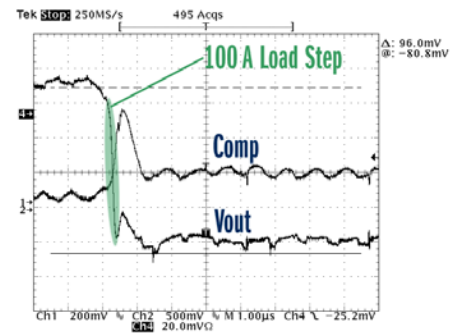
www.onsemi.com



Dual-Edge & Flex-Mode Modulation Vcore Controllers

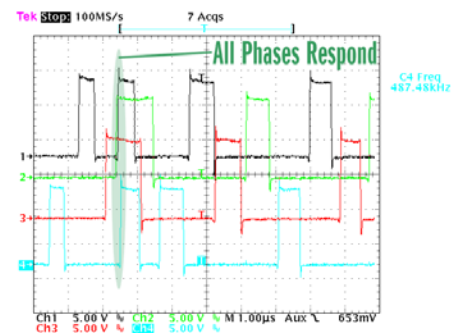
for VR11.0 to VR12.6+ Designs

Multi-phase buck controllers from ON Semiconductor combine differential voltage and current sensing, and adaptive voltage positioning to power the latest generation of microprocessors. Dual-edge and flex mode PWM, combined with inductor current sensing, reduces system cost by providing the fastest initial response to a transient, thereby requiring fewer bulk and ceramic output capacitors to satisfy transient load-line requirements. An integrated, high performance operational error amplifier enables easy compensation of the system. The proprietary Dynamic Reference Injection method makes the error amplifier compensation virtually independent of the system response to VID changes, eliminating tradeoffs between overshoot and dynamic VID performance.



Features

- Meet VR11.0, 11.1, 12.0, 12.5, 12.6, 12.6+ specifications
- Pin programmable phase count configuration
- Current mode dual edge modulation for fast initial response to transient loading
- Phase-to-phase dynamic current balancing
- Dual high performance operational error amplifier
- Temperature compensated inductor current sensing
- Power saving phase shedding
- V_{IN} feed forward ramp slope
- Programmable switching frequency range
- Startup into pre-charged loads while avoiding false OVP
- Over voltage, under voltage, and over current protection (OVP & UVP & OCP)



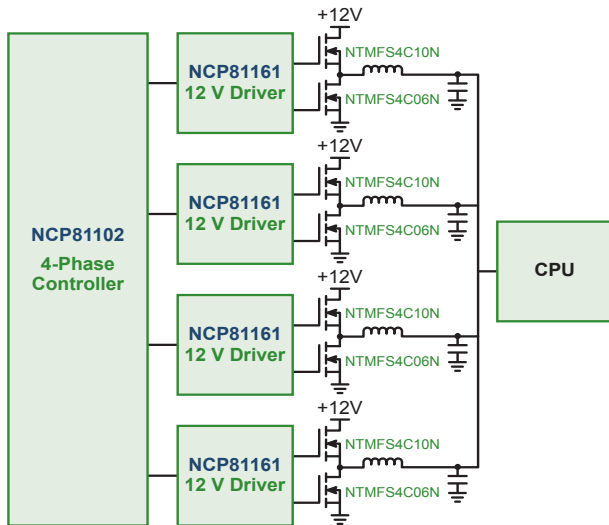
Device	VR Spec	Controller Architecture	CPU Phases	GPU Phases	Integrated Drivers	Interface	SM-Bus	Package
NCP81101	VR12.6+	RPM	1	–	1 x 5 V	SVID	–	QFN-28
NCP81105	VR12.6	Dual Edge	2/3	–	–	SVID	–	QFN-36
NCP81108	VR12.6	Dual Edge	2/3	–	2	SVID	–	QFN-36
NCP81109	VR12.6	RPM	1	–	1 + FETs	SVID	–	QFN-48
NCP81110	VR12.6	RPM	1	–	1 + FETs	SVID	–	QFN-48
NCP81118	VR12.6	Dual Edge	2/3	–	2 x 5 V	SVID	–	QFN-36
NCP81102	VR12.5	Dual Edge	2/3/4	–	–	SVID	–	QFN-32
NCP81103	VR12.5	Dual Edge	2/3	–	2 x 5 V	SVID	–	QFN-36
NCP81106	VR12.5	Dual Edge	2/3	–	2 x 12 V	SVID	–	QFN-40
NCP81116	VR12.5	Dual Edge	2/3	–	2 x 12 V	SVID	Y	QFN-36
NCP81119	VR12.5	Dual Edge	2/3/4	–	–	SVID	–	QFN-32
NCP6121	VR12	Flex Mode + Dual Edge	2/3	1	–	SVID	–	QFN-56
NCP6151	VR12	Flex Mode + Dual Edge	3/4	1	–	SVID	–	QFN-56
NCP6153	VR11.1	Dual Edge	2/3/4	–	–	PVID	–	QFN-40
NCP5395	VR11.1	Dual Edge	2/3/4	–	3 CPU	PVID	–	QFN-48
NCP6133	VR11.1	Flex Mode	2/3/4	–	–	PVID	–	LFCS-40
NCP4206	VR11.1	Dual Edge	1/2/3/4/5/6	–	–	PVID	Y	QFN-48
NCP4208	VR11.1	Dual Edge	1/2/3/4/5/6/7/8	–	–	PVID	Y	QFN-48
NCP81022	SV12	Dual Edge	4	1	–	SVI2	–	QFN-52
NCP81128	SV12	Dual Edge	2	2	2 x 5 V	SVI2	–	QFN-52

Please contact ON Semiconductor for product datasheets.

Desktop Solutions

NCP81102 1/2/3/4-phase controller

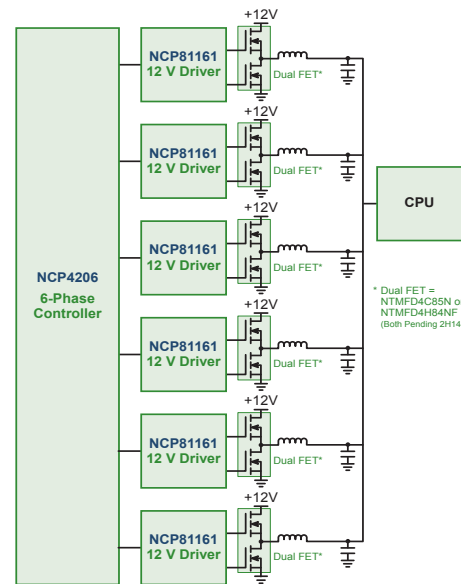
- Dual edge modulation for fast transient response
- Constant on-time for light load efficiency
- Supports all MLCC output capacitor solutions
- VR12.5 compliant



Server Solutions

NCP4206 1/2/3/4/5/6-phase controller

- Highly efficient, multiphase, synchronous buck switching regulator controller
- Supports PSI, to reduce the number of operating phases at light loads
- SMBus interface enables digital programming of key system parameters to optimize system performance and provide feedback
- NCP4206 has built in shunt regulator, enabling it to be powered from +12 V system supply through series resistor

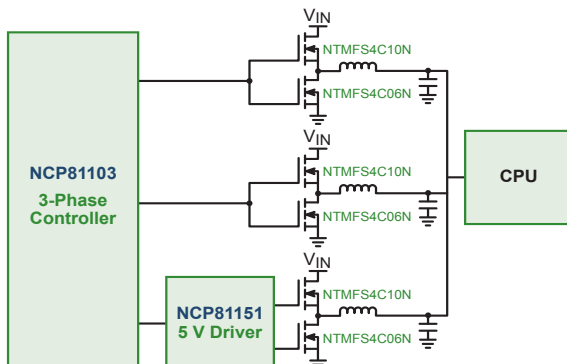


* Dual FET = NTMFD4C85N or NTMFD4H84NF (Both Pending 2H14)

Notebook Solutions

NCP81103/8 1/2/3-phase controller with drivers

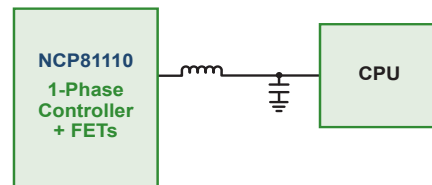
- High performance notebook solutions
- Dual edge modulation for fast transient response
- Features 2 integrated 5 V drivers
- VR12.5 (NCP81103) & VR12.6 (NCP81108) compliant



Integrated Ultrabook/Notebook Solution

NCP81110 1-phase converter

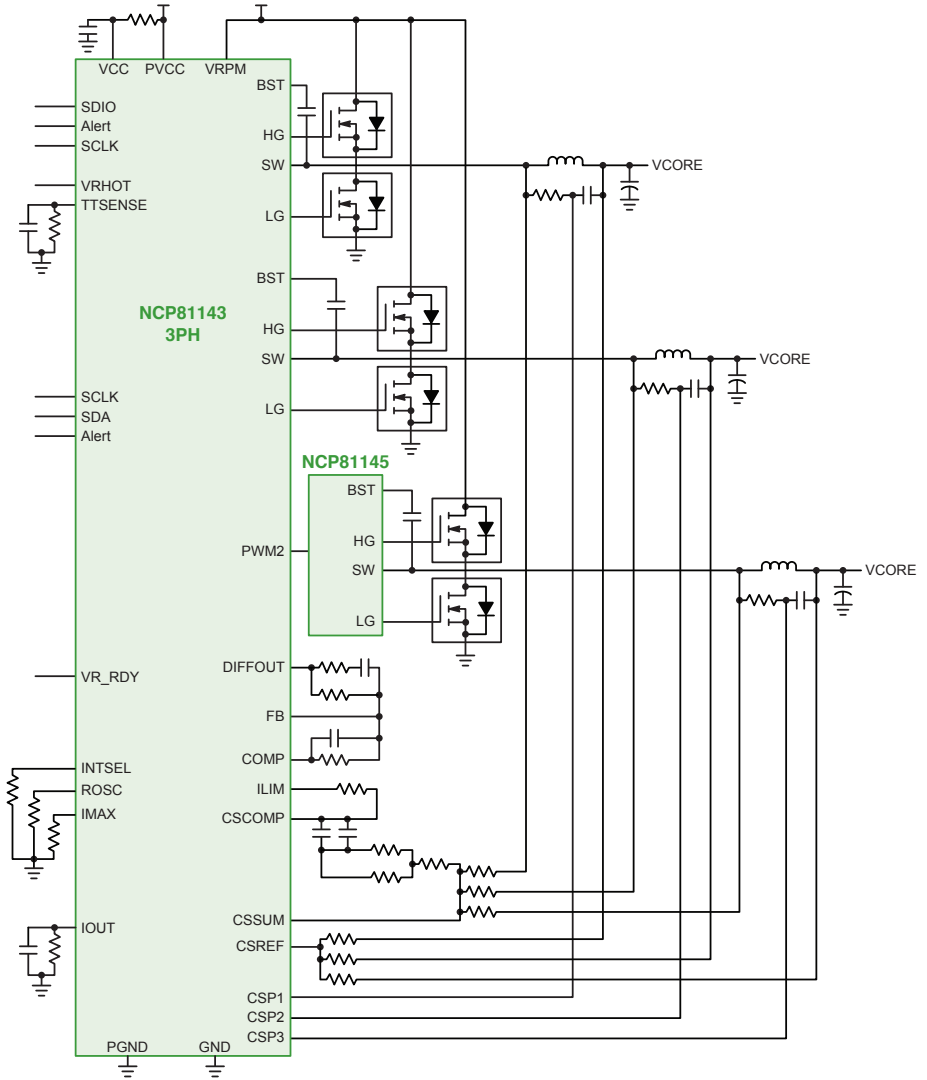
- Integrated solution with drivers and 14 A TDC MOSFETs
- Smallest solution footprint for compact design
- Higher efficiency for longer battery life
- VR12.6 compliant



VR12.5/6 Multiphase Controllers for Embedded Applications

Features

- Dual-edge pulse width modulation
- Fastest initial response to dynamic load events
- True differential voltage sensing
- Differential inductor DCR current sensing
- Input voltage feed forward
- Adaptive voltage positioning
- Pin-programmable controller configuration
- Integrated OVP, UVP, OCP
- Operating temperature range: -40°C to +125°C

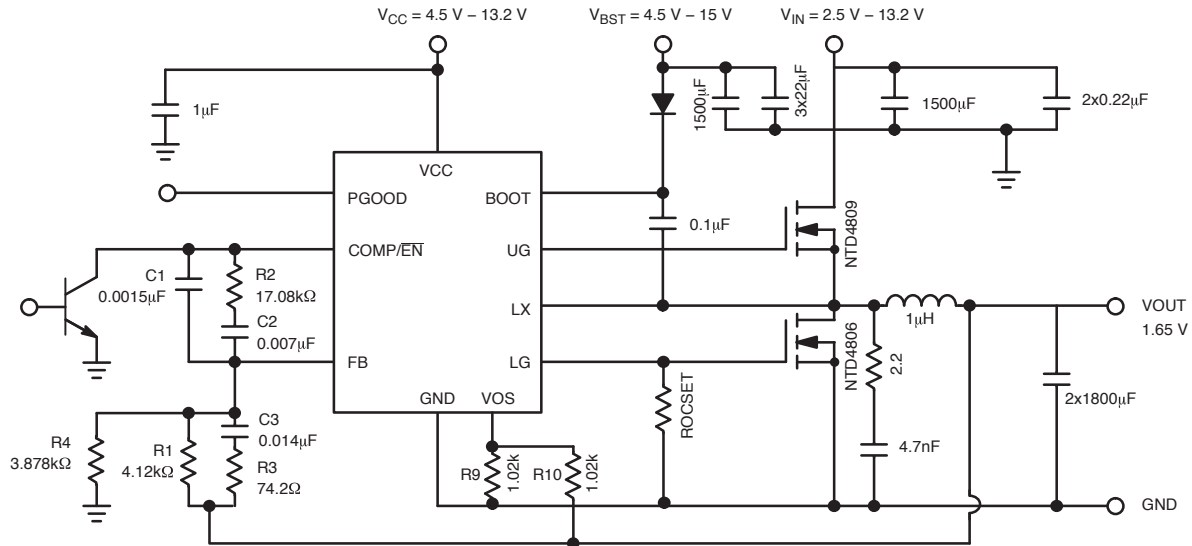


Device	Description	Driver / MOSFETs	Package
NCP81140	4-Phase Controller	—	QFN-32
NCP81141	1-Phase VR12.6 Controller	Integrated 5 V Driver	QFN-28
NCP81142	4-Phase VR12.5 Controller	—	QFN-32
NCP81143	3-Phase VR12.5 Controller	2x Integrated 5 V Drivers	QFN-36
NCP81145	5 V Driver	—	DFN-8
NCP81146	12 V Driver	—	DFN-8
NCP81147*	1-Phase Buck 0.8 V / 3.3 V	—	QFN-16
NCP81148	Dual Buck with LDOs	—	QFN-28
NCP81149*	1-Phase VR12.6 Controller	Integrated MOSFETs	—

* Pending 2H14

System Power

System power management devices provide additional rails in computing applications, beyond Vcore and graphics. They are available with single or dual channel operation, and also in multi-phase configurations.



NCP1589A Application Diagram

Device	Description	Topology	V _{CC} Min (V)	V _{CC} Max (V)	f _{sw} Typ (MHz)	Package
NCP1579	Synchronous Buck Controller, Low Voltage	Step-Down	4.5	13.2	275	SOIC-8
NCP1587	Synchronous Buck Controller, Low Voltage	Step-Down	4.5	13.2	250 - 300	SOIC-8
NCP1587A	Synchronous Buck Controller, Low Voltage	Step-Down	4.5	13.2	180 - 220	SOIC-8
NCP1589A	Synchronous Buck Controller, Low Voltage	Step-Down	4.5	13.2	–	DFN-10
NCP1589D	Synchronous Buck Controller	Step-Down	4.5	13.2	–	DFN-10
NCP1589L	Synchronous Buck Controller, Low Voltage, with Light Load Efficiency and Transient Enhancement	Step-Down	4.5	13.2	–	DFN-10
NCP5212	Single Synchronous Step Down Controller	Step-Down	4.5	27	300	QFN-16
NCP5212T	Single Synchronous Step Down Controller	Step-Down	4.5	27	300	QFN-16
NCP5217	Synchronous Buck Controller, Single	Step-Down	4.5	27	300	QFN-14
NCP5222	Synchronous Buck Controller, 2-Channel, 2-Phase	Step-Down	4.5	27	300	QFN-28
NCP5230	Low Voltage Synchronous Buck Controller	Step-Down	4.5	13.2	–	QFN-16
NCP5269	System Agent Controller with 2-bit VID	Step-Down	3.3	28	300 - 600	QFN-20

Thermal Management and System Monitoring

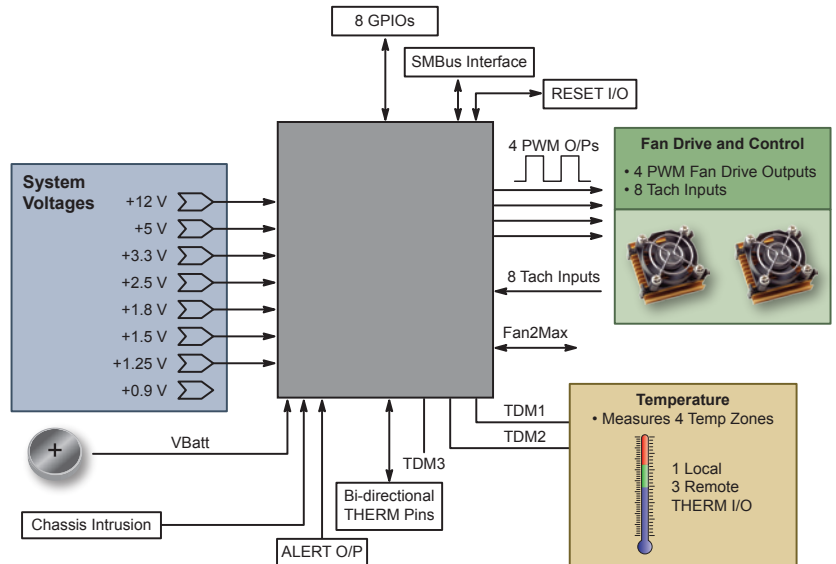
Extensive Portfolio

Local Sensors provide temperature information at the device location

Remote Sensors provide temperature information of a transistor located at a different position on the board; also includes local sensor capability

Fan Controllers integrate the temperature sensor with a fan controller/monitor

System Monitors integrate combinations of remote and/or local temperature sensing, voltage monitoring, fan control & monitoring, reset control, and GPIO functions



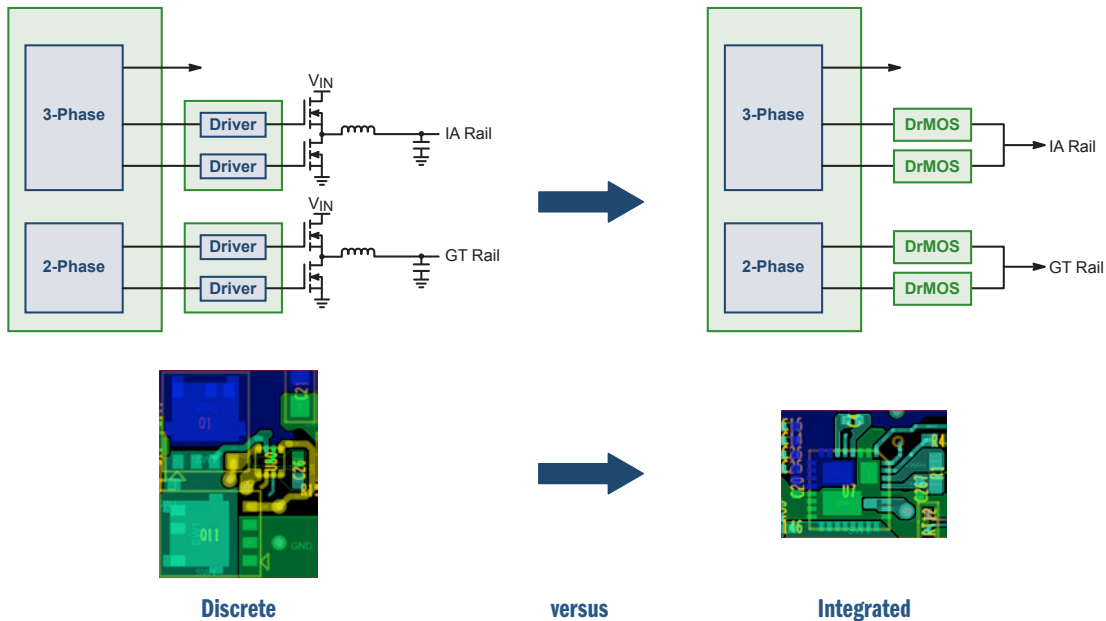
	Device	Supply Range (V)	Temperature Range (°C)	Local Accuracy (°C)	Interface	Number of Addresses	SRC (Ω)	Remote Accuracy	Remote Channels	Fan Channels	TACH Channels	Voltage Monitoring Channels	GPIOs	Package
System Monitors	ADM1026	3 - 5.5	-40 to +120	±3	I2C/SMBUS	3	—	±3	2	8	8	19	17	LQFP-48
	ADT7462	3 - 5.5	-40 to +125	±2.25	I2C/SMBUS	2	2 k	±2.25	3	4	8	13	8	LFCSOP-32
	NCT80	2.8 - 5.75	-40 to +125	±2	I2C/SMBUS	8	—	—	—	—	2	7	1	TSSOP-24
	ADT7476	3 - 3.6	-40 to +120	±1.5	I2C/SMBUS	3	—	±1.5	2	3	4	5	—	QSOP-24
Fan Controllers	ADT7473	3 - 3.6	-40 to +120	±1.5	I2C/SMBUS	3	3 k	±1.5	2	3	4			QSOP-16
	ADT7475	3 - 3.6	-40 to +120	±1.5	I2C/SMBUS	1	—	±1.5	2	3	4			QSOP-16
	ADM1033	3 - 3.6	-40 to +120	±1	I2C/SMBUS	8	1 k	±1	1	1	1			QSOP-16
	ADM1034	3 - 3.6	-40 to +120	±1	I2C/SMBUS	8	1 k	±1	2	2	2			QSOP-16
Remote Sensors	NCT72	2.8 - 3.6	-40 to +125	±1	I2C/SMBUS	2	1.5 k	±1	1					DFN-8, WDFN-8
	NCT218	1.4 - 2.75	-40 to +125	±1.75	I2C/SMBUS	2	150	±1	1					WDFN-8, WLCSOP-8
	NCT210	3 - 5.5	-55 to +125	±1	I2C/SMBUS	9	—	±3	2					QSOP-16
	ADM1032	3 - 5.5	-40 to +125	±3	I2C/SMBUS	2	—	±1	1					SOIC-8, MSOP-8
	ADT7461	3 - 5.5	-40 to +125	±3	I2C/SMBUS	2	3 k	±1	1					SOIC-8, MSOP-8
	ADT7481	3 - 3.6	-40 to +125	±1	I2C/SMBUS	2	—	±1	2					MSOP-10
	ADT7483	3 - 3.6	-40 to +125	±1	I2C/SMBUS	9	—	±1	2					QSOP-16
Local Sensors	NCT75	3 - 5.5	-55 to +125	±1	I2C/SMBUS	8								DFN-8, SOIC-8, Micro8
	NCT275*	3 - 5.5	-55 to +125	±1	I2C/SMBUS	4								CSP-6
	NCT203	1.4 - 2.75	-40 to +125	±1.75	I2C/SMBUS	1								DFN-8, SOIC-8, Micro8

* Pending 2H14.

Integrated MOSFET and Drivers

Features

- Integrated high- and low-side MOSFETs
- Integrated bootstrap diode
- Matched of driver and MOSFETs optimize switching performance
- Higher switching frequency enables use of smaller inductor and output capacitors
- Low-side MOSFET diode emulation mode provides asynchronous operation
- 65% lower BOM; 45% smaller footprint and simplified layout versus discrete solutions



Discrete

versus

Integrated

Device	PWM Input	V _{IN} Max (V)	Freq Max (MHz)	I _{OUT} Continuous Max (A)	Package
NCP5369	5 V Tri-state	25	1	40	QFN-40
NCP81081	3.3 V Tri-state	25	1	40	QFN-40
NCP5338	5 V Tri-state	20	1	40	QFN-40
NCP5368*	5 V Tri-state	15	2	35	QFN-40

* Pending 2H14.

Drivers for Discrete MOSFET Implementations

Drivers specifically designed to work with controller solutions, and optimized for 5 V or 12 V gate applications.

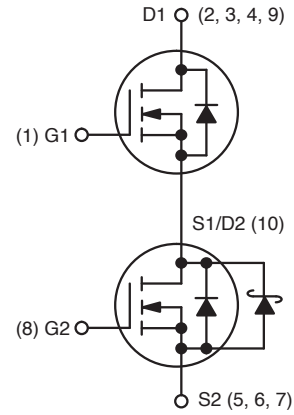
Device	Drivers	V _{CC} Typ (V)	Integrated Bootstrap Diode	ZCD*	Package
NCP5901	Single	12	N	Y	DFN-8
NCP5901B	Single	12	Y	Y	DFN-8
NCP81161	Single	12	Y	Y	DFN-8
NCP81151	Single	5	Y	Y	DFN-8
NCP81253	Single	5	Y	N	DFN-8
NCP81061	Dual	12	Y	Y	QFN-16
NCP81152	Dual	5	Y	Y	QFN-16

* Zero Crossover Detection.

MOSFETs Provide Optimized Efficiency

Asymmetric Dual


- Co-packaged Power Stage to minimize board space
- Low Side MOSFET with Integrated Schottky
- Parasitic Inductances Minimized
- Optimized Devices to Reduce Power Losses



Device	Package	Config	Polarity	Maximum Rating				Q _g (nC)	Q _{gd} (nC)	C _{iss} (pF)	C _{rss} (pF)	R _G (Ω)	Applications
				V _{DS} (V)	V _{GS} (V)	R _{DS(on)} (mΩ)							
						V _{GS} = 10 V	V _{GS} = 4.5 V						
NTMFD4C85N*	PowerPhase	Asym Dual	N	30	20	3.0	4.3	15.0	5.2	1960	102	1.0	Control Side
			N	30	20	0.8	1.2	45.2	11.8	6660	126	1.0	Synchronous Side
NTMFD4H84NF*	PhaseFET	Asym Dual	N	25	20	3.3	4.8	8.9	2.6	1222	36	1.0	Control Side
			N + Int Sch	25	20	0.8	1.3	28.5	9.0	3893	164	1.0	Synchronous Side
NTMFD4H85NF*	PhaseFET	Asym Dual	N	25	20	3.6	4.7	8.5	1.9	1194	35	1.0	Control Side
			N + Int Sch	30	20	1.5	2.1	33.9	7.9	4896	180	1.0	Synchronous Side
NTMFD4C86N*	PowerPhase	Asym Dual	N	30	20	5.4	8.1	10.9	5.4	1252	126	1.0	Control Side
			N	30	20	2.1	3.0	21.6	5.5	3040	77	1.0	Synchronous Side
NTMFD4901NF	SO-8FL	Asym Dual	N	30	20	6.5	10.0	9.7	3.7	1150	105	0.8	Control Side
			N + Int Sch	30	20	2.4	3.5	20.0	5.3	2950	82	0.8	Synchronous Side
NTMFD4C87N*	PowerPhase	Asym Dual	N	30	20	5.0	7.7	10.9	5.4	1252	129	1.0	Control Side
			N	30	20	3.1	4.3	13.8	3.6	1939	49	1.0	Synchronous Side
NTMFD4C88N*	PowerPhase	Asym Dual	N	30	20	5.0	7.7	10.9	5.4	1252	126	1.0	Control Side
			N	30	20	3.4	5.0	11.0	2.9	1546	39	1.0	Synchronous Side
NTMFD4C20N	SO-8FL	Asym Dual	N	30	20	7.0	10.8	9.3	4.2	970	125	1.0	Control Side
			N	30	20	3.4	5.2	13.0	3.0	1950	50	1.0	Synchronous Side
NTMFD4902NF	SO-8FL	Asym Dual	N	30	20	6.5	10.0	9.7	3.7	1150	105	0.8	Control Side
			N + Int Sch	30	20	4.1	6.2	11.5	3.4	1510	83	0.8	Synchronous Side
NTLLD4901NF	μ8-FL/ WDFN-8	Asym Dual	N	30	20	20.0	30.0	5.5	1.4	605	100	0.8	Control Side
			N + Int Sch	30	20	15.0	22.0	5.9	2.9	645	16	0.8	Synchronous Side

* Pending 3Q14.

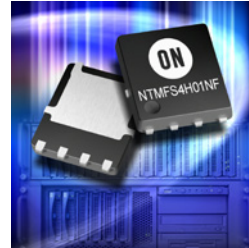
MOSFETs Provide Optimized Efficiency

	Device	Package	Configuration	Polarity	Maximum Rating				Q _g (nC)	Q _{gd} (nC)	C _{iss} (pF)	C _{rss} (pF)	R _G (Ω)	Applications
					V _{DS} (V)	V _{GS} (V)	R _{DS(ON)} (mΩ)							
							V _{GS} = 10 V	V _{GS} = 4.5 V						
 <p>SO-8FL 5 x 6 mm</p>	NTMFS4C01N	SO-8FL	Single	N	30	20	0.9	1.2	65.0	18.0	9200	231	1.0	HPPC
	NTMFS4C03N	SO-8FL	Single	N	30	20	2.1	2.8	43.7	5.3	2850	72	1.0	HPPC
	NTMFS4983NF	SO-8FL	Integ Sch	N	30	20	2.1	3.1	22.6	6.9	3250	90	1.0	Synchronous Side
	NTMFS4C35N	SO-8FL	Single	N	30	20	3.2	4.2	15.0	5.5	2300	46	1.0	Synchronous Side
	NTMFS4985NF	SO-8FL	Integ Sch	N	30	20	3.4	5.0	14.2	4.2	2100	60	1.0	Synchronous Side
	NTMFS4C05N	SO-8FL	Single	N	30	20	3.4	5.0	13.0	3.0	1950	50	1.0	Synchronous Side
	NTMFS4C06N	SO-8FL	Single	N	30	20	4.0	6.0	14.5	5.5	1988	71	1.0	Synchronous Side
	NTMFS4C08N	SO-8FL	Single	N	30	20	5.8	8.5	8.7	2.8	1100	38	1.0	Synchronous Side
	NTMFS4C09N	SO-8FL	Single	N	30	20	6.0	8.8	10.9	5.4	1252	126	1.0	Control Side
	NTMFS4C10N	SO-8FL	Single	N	30	20	7.0	10.8	9.3	4.2	970	125	1.0	Control Side
	NTMFS4C13N	SO-8FL	Single	N	30	20	9.1	13.8	6.6	2.7	720	95	1.0	Control Side
 <p>μ8FL 3.3 x 3.3 mm</p>	NTTFS4C05N	μ8-FL	Single	N	30	20	3.6	5.1	13.0	3.0	1950	50	1.0	Synchronous Side
	NTTFS4C06N	μ8-FL	Single	N	30	20	4.0	6.0	14.5	5.5	1988	71	1.0	Synchronous Side
	NTTFS4C08N	μ8-FL	Single	N	30	20	5.8	8.5	8.7	2.8	1100	38	1.0	Synchronous Side
	NTTFS4C10N	μ8-FL	Single	N	30	20	7.4	11.0	9.3	4.2	970	125	1.0	Control Side
	NTTFS4C13N	μ8-FL	Single	N	30	20	9.1	13.8	6.6	2.7	720	95	1.0	Control Side
	NTTFS4C25N	μ8-FL	Single	N	30	20	17.0	26.5	4.0	1.3	455	60	1.0	Control Side
 <p>DPAK</p>	NTD4904N	DPAK	Single	N	30	20	3.7	5.5	16.8	3.0	3052	23.0	1.0	Synchronous Side
	NTD4965N	DPAK	Single	N	30	20	4.7	7.0	17.5	8.5	1684	330	0.8	Synchronous Side
	NTD4906N	DPAK	Single	N	30	20	5.5	8.0	11.0	1.8	1932	19	1.0	Synchronous Side
	NTD4969N	DPAK	Single	N	30	20	9.0	12.0	8.7	4.0	835	163	0.7	Control Side
	NTD4970N	DPAK	Single	N	30	20	11.0	15.0	7.7	3.7	743	330	0.9	Control Side
 <p>SOIC-8 5 x 6 mm</p>	NTMS4937N	SOIC-8	Single	N	30	20	6.5	8.7	17.4	3.3	2563	25	1.0	Synchronous Side
	NTMS4939N	SOIC-8	Single	N	30	20	8.4	11.0	12.4	1.9	2000	16	0.7	Synchronous Side
	NTMS4916N	SOIC-8	Single	N	30	20	9.0	12.0	14.0	7.0	1468	280	0.7	Control Side
	NTMS4917N	SOIC-8	Single	N	30	20	11.0	15.0	10.8	3.5	1132	216	0.7	Control Side
	NTMS4800N	SOIC-8	Single	N	30	20	20.0	27.0	7.7	3.2	940	125	1.5	Control Side
	NTMS4840N	SOIC-8	Single	N	30	20	24.0	36.0	4.8	1.9	520	70	2.0	Control Side
	NTMD4820N	SOIC-8	Dual	N	30	20	20.0	27.0	7.7	3.2	940	125	1.5	DC-DC, Load Switch
	NTMD4840N	SOIC-8	Dual	N	30	20	24.0	36.0	4.8	1.9	520	70	1.0	DC-DC, Load Switch
	NTMS4177P	SOIC-8	Single	P	-30	20	12.0	19.0	29.0	13.0	3100	370	2.0	Load Switch
	NTMS4176P	SOIC-8	Single	P	-30	25	18.0	30.0	17.0	8.4	1720	256	2.9	Load Switch

MOSFETs Provide Optimized Efficiency

Trench 6 High Efficiency (T6HE) for Servers and Point-of-Load Modules

- High Efficiency DC-DC Conversion
- Integrated Schottky LowSides
- Lowest RDS(on) in the industry

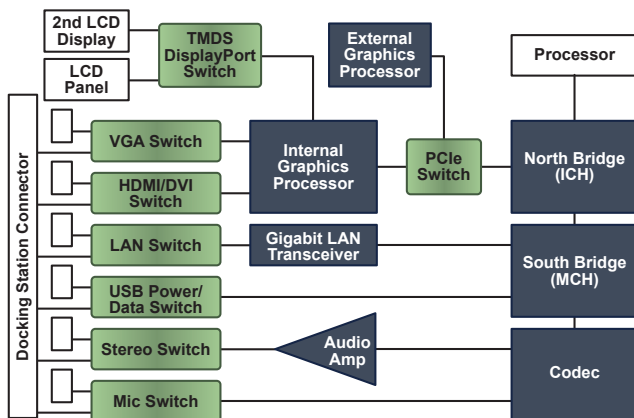


Device	Package	Config	Polarity	Maximum Rating				Q _g (nC)	Q _{gd} (nC)	C _{iss} (pF)	C _{rss} (pF)	R _G (Ω)	Applications
				V _{DS} (V)	V _{GS} (V)	R _{DS(ON)} (mΩ)							
						V _{GS} =10 V	V _{GS} =4.5 V						
NTMFS4H01N	SO-8FL	Single	N	25	20	0.7	1.0	39.0	8.5	5693	212	1.2	Synchronous Side
NTMFS4H01NF	SO-8FL	Integ Sch	N	25	20	0.7	1.0	37.8	8.0	5538	175.3	1.3	Synchronous Side
NTMFS4H013NF*	SO-8FL	Integ Sch	N	25	20	0.9	1.3	28.0	7.5	3780	150	1.0	Synchronous Side
NTMFS4H02N	SO-8FL	Single	N	25	20	1.4	2.2	18.0	4.2	2651	103	1.0	Synchronous Side
NTMFS4H02NF	SO-8FL	Integ Sch	N	25	20	1.4	2.3	18.7	4.3	2652	94	1.0	Synchronous Side
NTTFS4H05N	μ8-FL	Single	N	25	20	3.3	4.8	8.7	1.9	1205	45	1.0	Control Side
NTTFS4H07N	μ8-FL	Single	N	25	20	4.8	7.1	5.7	1.3	771	34	1.0	Control Side

* Pending 2H14.

Switching Devices

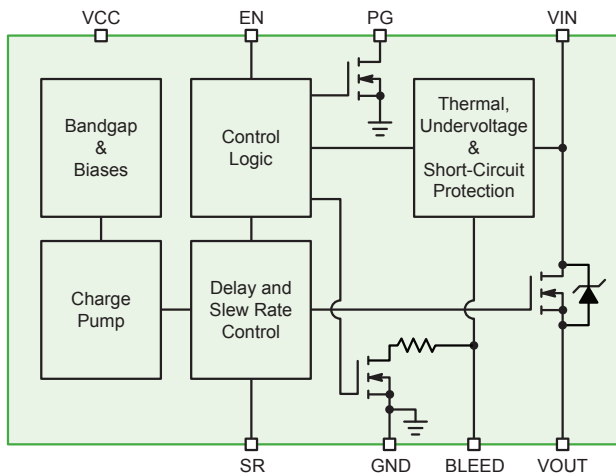
ON Semiconductor offers a range of switching devices for high speed interface in servers, desktop computing, notebook and netbook computers. Applications include PCI Express, DisplayPort, Gigabit Ethernet and USB 2.0.



Server Implementation

Device	Interface	Data Rate	No Channels	Quiescent Current
NCN3612B	PCIe 3.0, DisplayPort 1.2	8 Gb/s	12	250 μA
NCN3411	PCIe 3.0	8 Gb/s	8	200 μA
NCN2612B	PCIe 2.0, DisplayPort 1.1	5 Gb/s	12	250 μA
NCN2411	PCIe 2.0	5 Gb/s	8	200 μA
NS3L500	Gigabit Ethernet	1 Gb/s	11	250 μA
NCN7200	Gigabit Ethernet	1 Gb/s	11	380 μA
NCN1188	USB 2.0 / MHL	2.25 Gb/s	2	21 μA
NS5S1153	USB 2.0	480 Mb/s	2	21 μA
NLAS7242	USB 2.0	480 Mb/s	2	1 μA
NLAS52231	Audio	36 MHz	2	1 μA
NLAS4684	Audio	9.5 MHz	2	180 nA

Advanced Load Switches



NCP45xxx Integrated Load Switch Feature

- Simple/clean design
- No current consumption in standby power mode
- Small PCB footprint
- Low $R_{DS(ON)}$ due to charge pump driving NMOS
- Adjustable soft-start time (SR)
- Adjustable integrated discharge
- Fault protection
- Power rail monitoring & sequencing

Type	Device	r_{on} (m Ω)	I Max (A)	V_I Min (V)	V_I Max (V)	I_Q (μ A)	Discharge	Slew Rate (μ s)	Features	Package(s)
Smart Load Switch	NCP330	26 at 3.3 V	3	1.8	5.5	100	-	2000	Reverse blocking	TDFN-4
	NCP333	55 at 3.3 V	1.5	1.2	5.5	1	Auto	95	-	WLCSP-4
	NCP334	47 at 3.3 V	2	1.2	5.5	1	-	71	-	WLCSP-4
	NCP335	47 at 3.3 V	2	1.2	5.5	1	Auto	71	-	WLCSP-4
	NCP336	23 at 3.3 V	3	1.2	5.5	1	-	810	-	WLCSP-6
	NCP337	23 at 3.3 V	3	1.2	5.5	1	Auto	810	-	WLCSP-6
	NCP338	27 at 1.8 V	2	1	3.6	0.6	Auto	20	-	WLCSP-6
	NCP339	26 at 3.3 V	3	1.2	5.5	2	-	2700	Reverse blocking	WLCSP-6
	NCP432	50 at 1.8 V	1.5	1	3.6	0.6	-	20	-	WLCSP-4
	NCP433	50 at 1.8 V	1.5	1	3.6	0.6	Auto	20	-	WLCSP-4
	NCP434	43 at 1.8 V	2	1	3.6	0.6	-	61	-	WLCSP-4
	NCP435	43 at 1.8 V	2	1	3.6	0.6	Auto	61	-	WLCSP-4
	NCP436	23 at 1.8 V	3	1	3.6	1	-	27	-	WLCSP-6
	NCP437	23 at 1.8 V	3	1	3.6	1	Auto	27	-	WLCSP-6
	ecoSWITCH™ Integrated Load Switch	NCP45524	18.0	6	0.5	13.5	-	Adj	-	Power good
NCP45525		18.0	6	0.5	13.5	-	Adj	Adj	-	DFN-8
NCP45560		2.4	24	0.5	13.5	-	Adj	Adj	Power good; Fault	DFN-12
NCP45540		3.9	20	0.5	13.5	-	Adj	Adj	Power good; Fault	DFN-12
NCP4543		10.2	7.3	0.5	6	-	Adj	Adj	-	QFN-18
NCP4545		4.7	10.5	0.5	6	-	Adj	Adj	-	QFN-18
NCP45520		9.5	10.5	0.5	13.5	-	Adj	-	Power good; Fault	DFN-8
NCP45521		9.5	10.5	0.5	13.5	-	Adj	Adj	Fault	DFN-8

Evaluating ESD Protection Effectiveness

As the design window for protection shrinks, choosing ESD protection products with low R_{dyn} becomes more important to ensure that clamping voltages do not exceed the safe protection window of new chipsets. Suppliers of ESD protection products must therefore provide information on the effectiveness of the product for protection, not just self-survival levels.

ON Semiconductor demonstrates ESD protection effectiveness using two methods: ESD screen shots and Transmission Line Pulse (TLP) measurements. ESD screen shots capture the voltage across the protector when an IEC 61000-4-2 ESD stress is forced through it; typically for an 8 kV contact stress. The screen shot shown in Figure 1 demonstrates how an ON Semiconductor protection device clamps the voltage to below 20 V within 10 ns for an 8 kV stress. Screen shots provide a graphic and intuitive view of a protection product's effectiveness, especially when comparing two products intended for the same application. Application Note AND8307/D describes the capture of screen shot data. Screen shots do not, however, allow the extraction of fundamental parameters describing the performance of a protection product. Transmission Line Pulse (TLP) provides a more quantitative measurement of ESD protection device effectiveness.

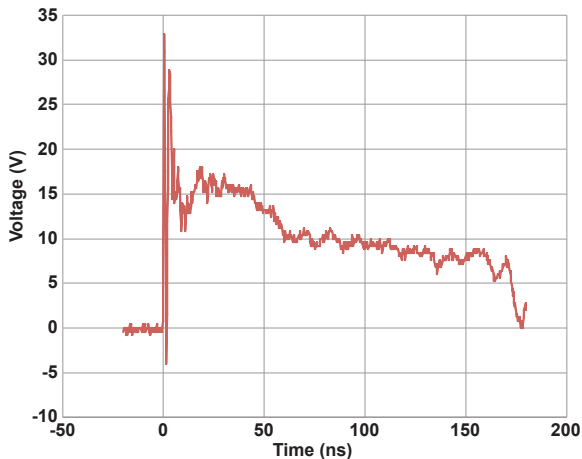


Figure 1. ESD clamping screenshot

TLP creates I-V curves in which each data point is obtained with a square pulse that closely matches an ESD event in terms of current shape and pulse width. TLP pulse lengths are typically 100 ns, with pulse amplitudes up to 40 A. Sample TLP I-V curves are shown in Figure 2, comparing an ON Semiconductor product with a competitor's product intended for the same application. The ON Semiconductor product turns on at a lower voltage and has significantly lower dynamic resistance than the competitor's device. The TLP I-V curves and parameters extracted from them

can be used to compare the properties of different ESD protection devices and can be used to predict a circuit's ESD clamping performance. Parameters that can be extracted from TLP data include clamping voltage values for specified current levels, as well as dynamic resistance and voltage intercepts. Application Note AND9006/D gives a full explanation of the TLP technique, and Application Note AND9007/D describes datasheet parameters extracted from TLP measurements.

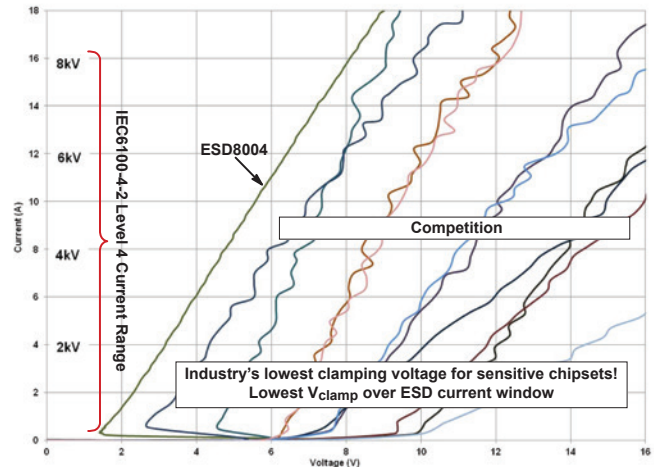


Figure 2. Typical TLP I-V curves from TLP measurements

Maintaining Signal Integrity

ESD and EMI solutions protect against unwanted signals that interfere with the overall system performance. During a system's normal operation, these protection devices must not degrade signal integrity, as they must be completely transparent. As the data rates on serial interfaces increase, it is important to demonstrate that protection products do not degrade signal integrity. ON Semiconductor uses several methods to demonstrate that these products do not degrade signal integrity.

One way in which to measure signal integrity effects is with the S-parameter return and insertion loss plots, such as the ones in Figures 3 and 4. S11 plots measure signal power return loss over frequency, where a small amount of loss shows up as a large -dB value due to the matched impedance of the interconnect. Lower return loss translates into more of the signal, both amplitude and phase, being transferred through the interconnect which can be seen in the S21 plot where the signal power insertion loss is being measured. Both S-parameter plots below show how an ON Semiconductor ESD protection device maintains the lowest loss and best transparency among other top competitor devices. Application Note AND9114/D explains these signal integrity measurements and the ESD device characteristics that affect them in more detail.

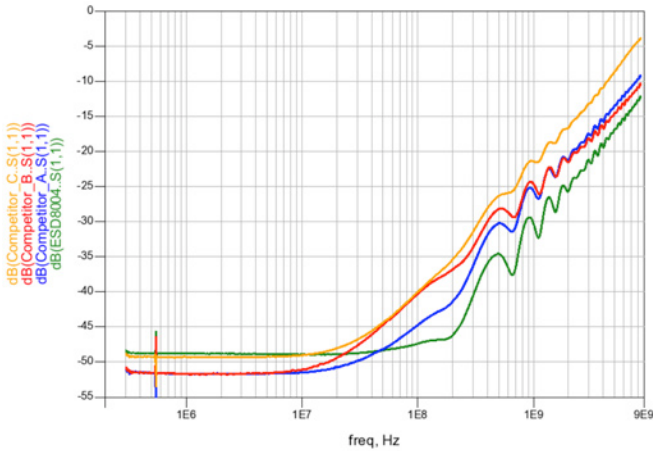


Figure 3. Return loss (S11) characteristics of ESD protection solutions

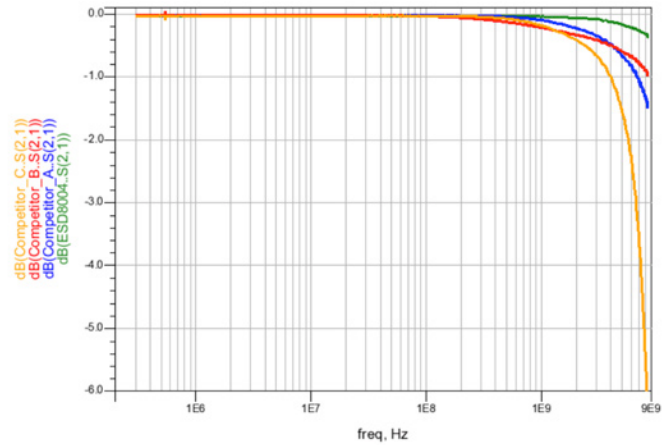


Figure 4. Insertion loss (S21) characteristics of ESD protection solutions

Surge Protection

ON Semiconductor provides solutions for protecting against surge strikes, induced by a lightning strike or power-cross fault. Common interfaces found in a wide variety of consumer and telecommunications/networking equipment are the RJ45 interface for the 10/100BASE-T and 1000BASE-T Ethernet protocols and the RJ11 interface for xDSL protocols. RJ45 consists of four pairs of differential data lines, each carrying a maximum data rate of 250 Mbps in a 1000BASE-T configuration, while RJ11 consists of a single differential data pair. These interfaces are often surge rated to an intra-building standard. Protection for these interfaces mainly consist of ensuring that transverse (metallic or differential) surge strikes do not damage sensitive downstream chips such as PHYs. Differential protection is achieved by connecting shunt protection elements from line-to-line (for each pair of lines) that transfer the incoming hostile surge energy back towards the source. This is different from common mode protection as elements are connected line-to-GND and shunt the surge energy to GND.

For lower data-rates (10/100BASE-T, xDSL), ON Semiconductor offers a combination of crowbar devices known as thyristor surge protector devices (TSPD), and transient voltage suppressor (TVS) devices similar to those used in ESD protection. TSPDs offer the advantage of lower clamping voltages and possess higher surge current capability, for both common and differential mode protection.

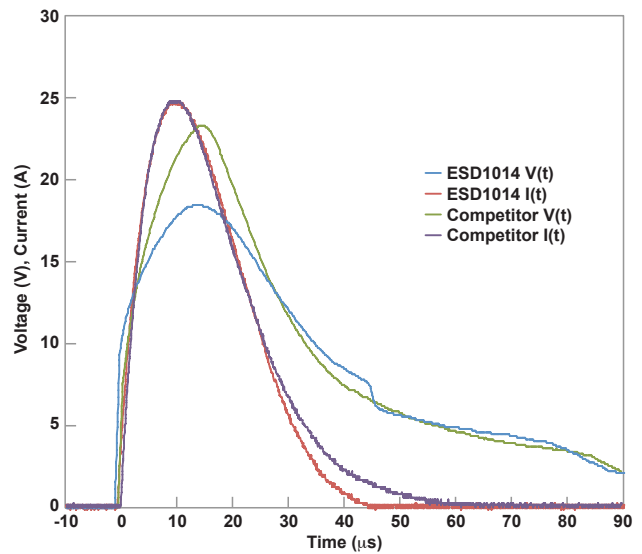


Figure 5. Example of V & I plots in an 8/20 μ s surge

TVS clamping devices support surge levels for the 8/20 μ s pulse and are commonly used on the tertiary or PHY-side to capture and safely dissipate any residual surge pulses. Pictured in Figure 1 is a time-domain plot of the 8/20 μ s surge current applied to the ESD1014 TVS from ON Semiconductor. Also shown are time-domain response voltages, clearly showing the superiority of the ON Semiconductor solution in comparison to a competing device.

USB 3.0/3.1

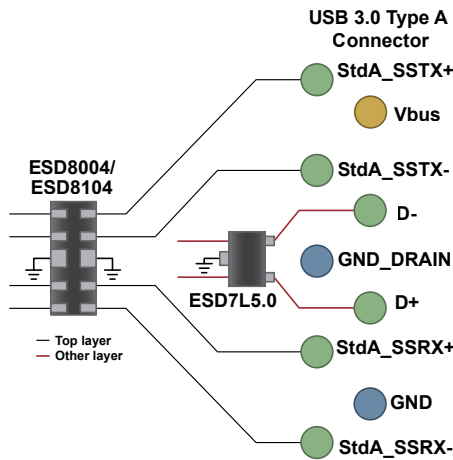
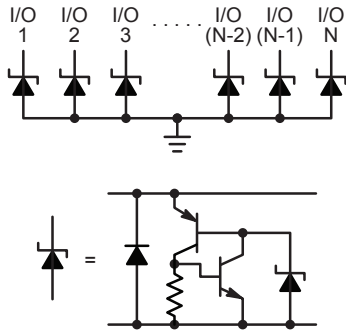
Two SuperSpeed Pairs, One High Speed Pair, V_{CC}, Low Capacitance ESD Protection

Key Requirement

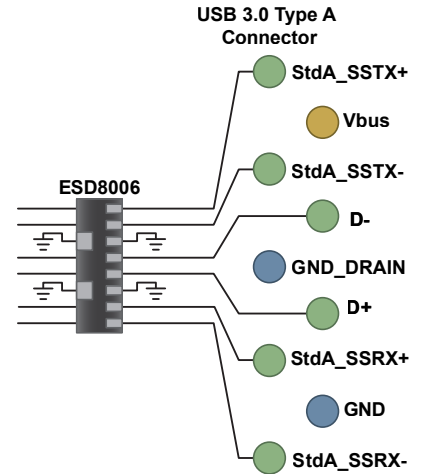
- Cap < 0.5 pF (USB 3.0)
- Cap < 0.4 pF (USB 3.1)

Features

- 0.37 pF or less
- Flow through routing
- Industry leading low clamping voltage versus competitors

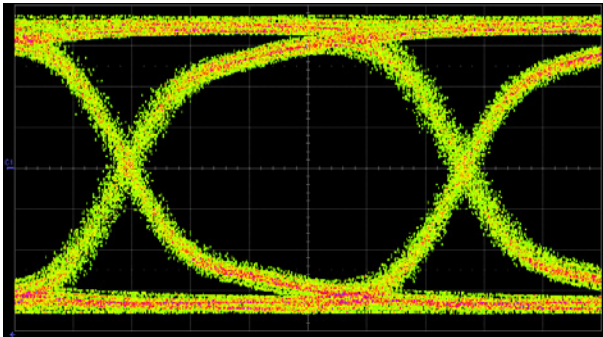


ESD8004/8104 – 0.30 pF, 2 Layer Routing
(ESD7L5.0 for D+, D- Lines)

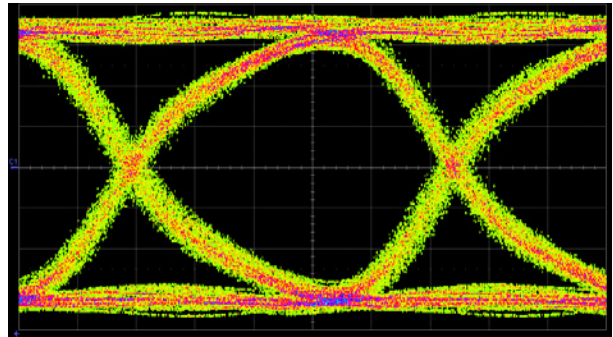


ESD8006 – 0.25 pF, 1 Layer Routing

Device	Data Lines	Capacitance (pF)	Package	Size (mm)
ESD8006	3 Pair (Tx, Rx, D+, D-)	0.25	UDFN-8	3.3 x 1.0
ESD8004	2 Pair (Tx, Rx)	0.30	UDFN-10	2.5 x 1.0
ESD8104	2 Pair (Tx, Rx)	0.30	UDFN-10	2.5 x 1.0
ESD7L	1 Pair (D+, D-)	0.50	SOT-723	1.2 x 1.2
ESD8351	Single Line 0201	0.37	X3DFN-2	0.62 x 0.32



Without ESD



With ESD

USB 3.1 @ 10 Gb/s

Thunderbolt

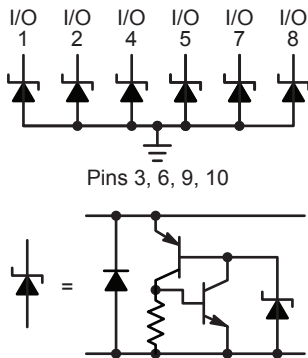
Four High Speed Pairs, up to Six Additional Lines, Low Capacitance ESD

Key Requirement

- Cap < 0.4 pF

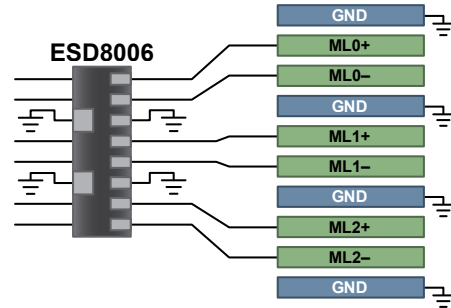
Features

- 0.25 pF
- Flow through routing
- Grounds between pairs for reduced cross talk
- Industry leading clamping voltage

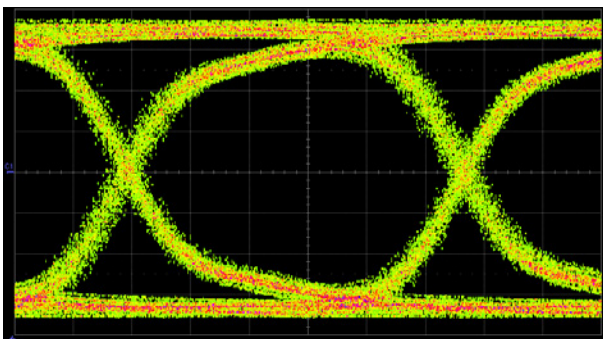
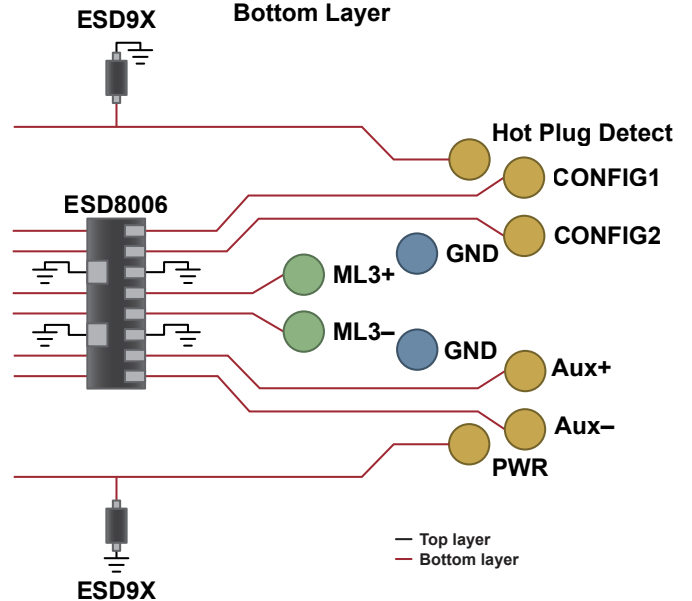


Device	Data Lines	Capacitance (pF)	Package	Size (mm)
ESD8006	3 Pair	0.25	UDFN-8	3.3 x 1.0
ESD8351	Single Line 0201	0.37	X3DFN2	0.62 x 0.32

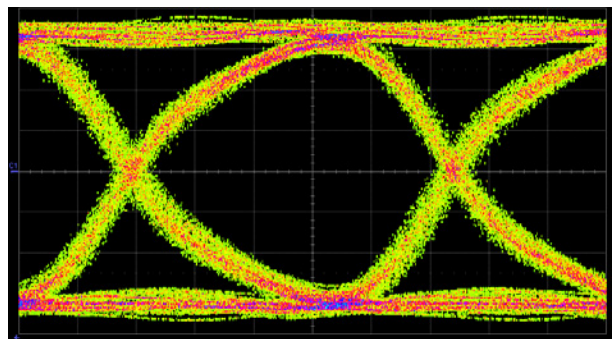
Thunderbolt Connector Top Layer



Thunderbolt Connector Bottom Layer



Without ESD8006



With ESD8006

Thunderbolt @ 10 Gb/s

USB 2.0

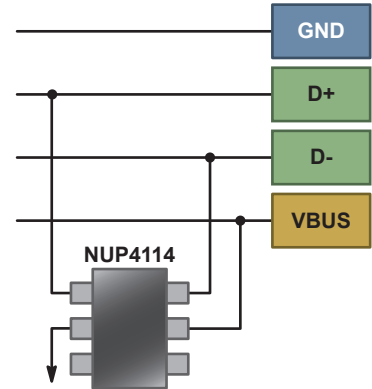
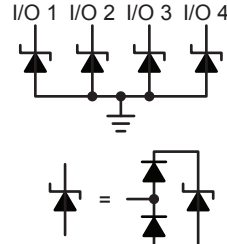
One High Speed Pair, V_{CC}, Low Capacitance ESD Protection

Key Requirement

- Cap < 1.5 pF

Features

- 0.5 - 0.8 pF
- 4 low speed + 1 VBUS integrated – can protect up to 2 USB ports
- Industry leading low clamping voltage



Device	Data Lines	Capacitance (pF)	Package	Size (mm)
NUP4114UCL	2 Pair + Power	0.50	SC-88	2.0 x 2.1
NUP4114UPX	2 Pair + Power	0.80	SOT-563	1.6 x 1.6
NUP4114H	2 Pair + Power	0.80	TSOP-6	3.0 x 2.75
NUP3115	1 Pair + ID + Power (D+, D-, ID, VBUS)	0.80	UDFN-6	1.6 x 1.6
ESD7L5.0	1 Pair (D+, D-)	0.50	SOT-723	1.2 x 1.2
ESD7451	Single Line 0402	0.25	XDFN-2	1.0 x 0.6
ESD7481	Single Line 0201	0.25	X3DFN-2	0.62 x 0.32

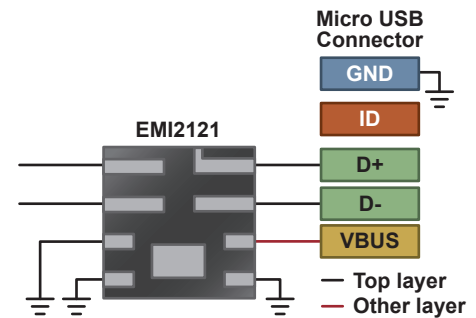
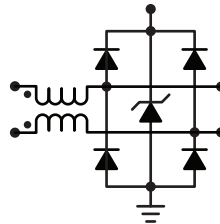
One High Speed Pair, V_{CC}, Common Mode Filter + ESD Protection

Key Requirement

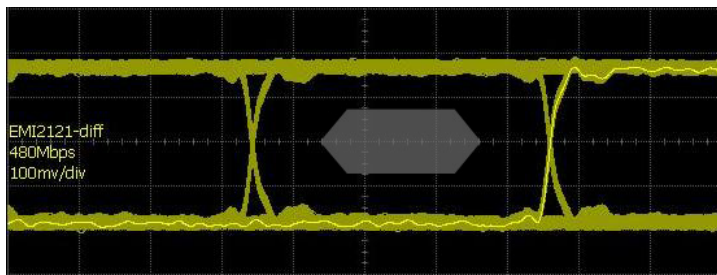
- Cap < 1.5 pF
- Common Mode Filtering

Features

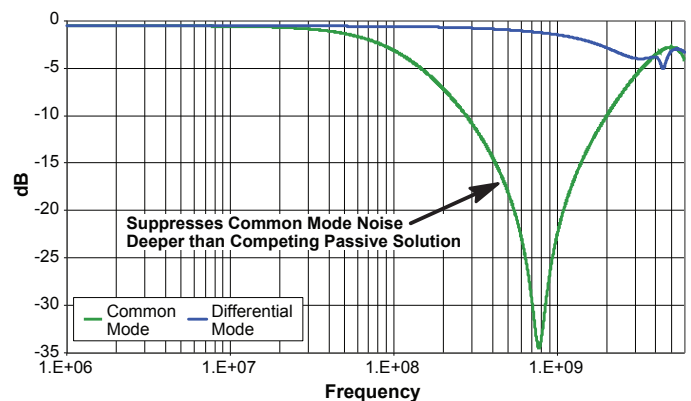
- 0.5 - 0.8 pF
- Integrated EMI suppression with ESD protection
- Industry leading low clamping voltage



Device	Data Lines	Capacitance @ 2.5 V (pF)	CM Attenuation @ 800 MHz (-dB)	DM Bandwidth F3dB (GHz)	Package	Size (mm)
EMI2121	1 Pair + Power (D+, D-, VBUS)	0.9	-25	2.5	WQFN	2.2 x 2.0 x 0.75
EMI2124	1 Pair + ID + Power (D+, D-, ID, VBUS)	0.9	-25	2.5	WQFN	2.2 x 2.0 x 0.75



USB 2.0 @ 480 Mb/s



HDMI, Display Port

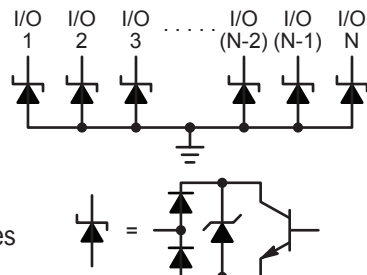
Four High Speed Pairs, Up to Six Additional Interface Lines, Low Capacitance ESD

Key Requirement

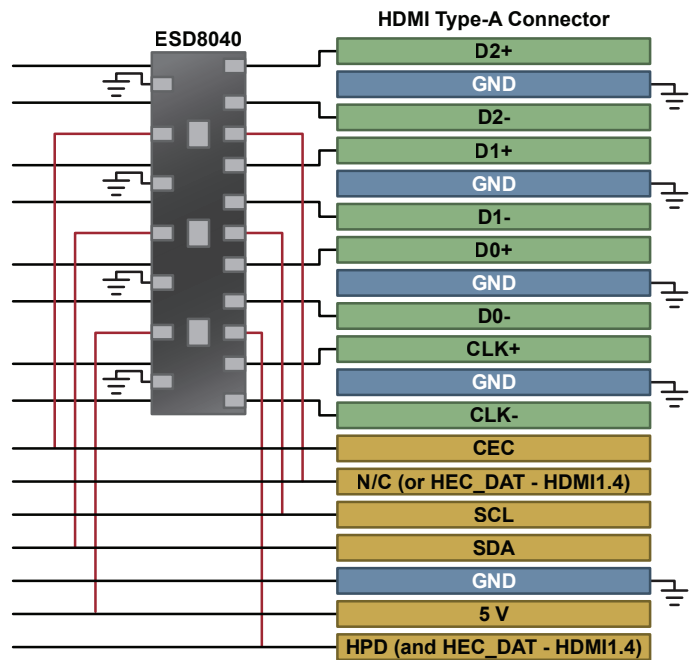
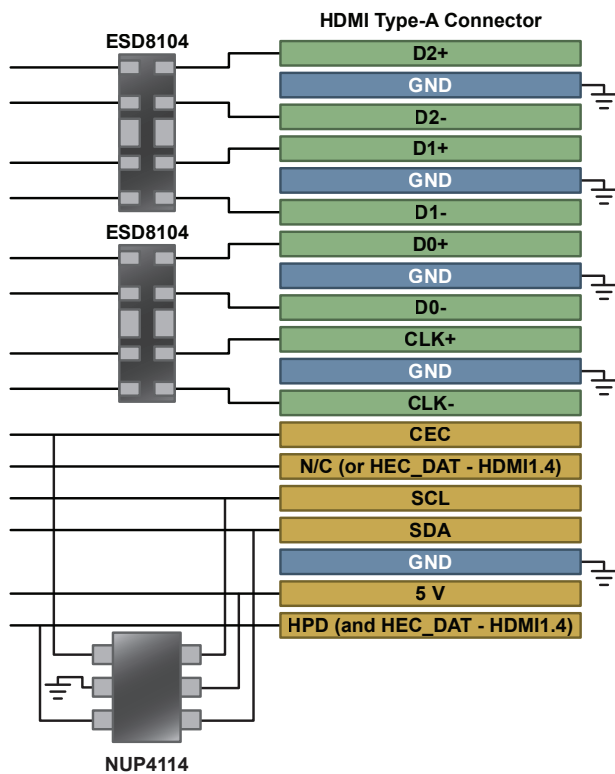
- Cap < 0.5 pF (HDMI 1.3/1.4)
- Cap < 0.4 pF (HDMI 2.0)

Features

- 0.3 pF ESD protection
- Flow through routing in high speed lines
- Industry leading low clamping voltage

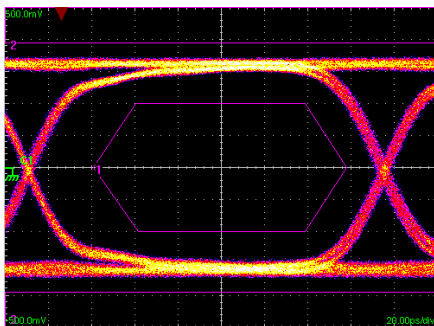


Device	Data Lines	Capacitance (pF)	Package	Size (mm)
ESD8104	2 Pair	0.30	UDFN-10	2.5 x 1.0
ESD8040	4 Pair + CEC, SDL, SDA, 5V,HPD	0.30	UDFN-18	5.5 x 1.5
ESD7451	Single Line 0402	0.25	XDFN-2	1.0 x 0.6
ESD7481	Single Line 0201	0.25	X3DFN-2	0.62 x 0.32

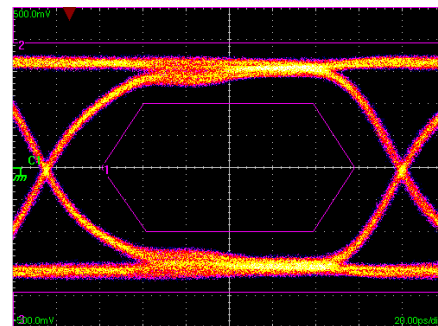


- MediaGuard fully integrated solution
- Includes ethernet protection (HDMI1.4)
- Backdrive current protection

— Top layer
— Other layer



Without ESD



With ESD

HDMI 2.0 @ 6.0 Gb/s

Ethernet: 10/100BASE-T, 1000BASE-TX, and Gigabit

Four Pairs, Low Capacitance Surge and ESD Protection

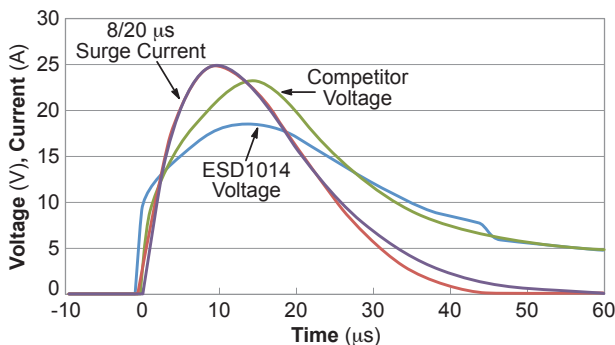
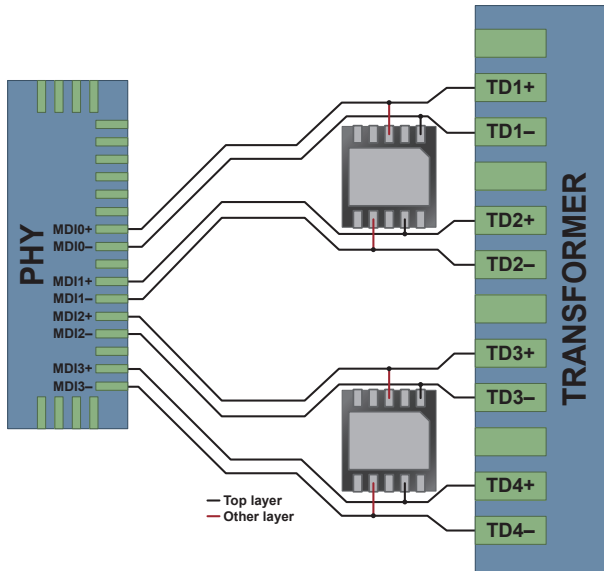
The 1000BASE-T or Gigabit Ethernet interface operating at higher bitrates is susceptible to ESD strikes, cable-discharge events and lightning-induced transients. Our products help meet IEC 61000-4-5, GR-1089-CORE and other Standards.

Features

- Line-to-line capacitance < 3 pF
- V_{clamp} (25 A surge) < 11 V
- IEC 61000-4-2 rating > 30 kV
- No latching danger
- Surge rating maintained to 125°C

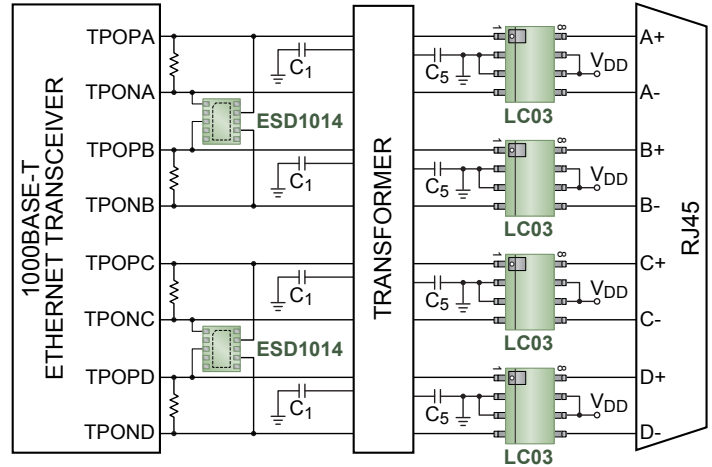
Benefits

- Compatible with Gb Ethernet and beyond
- Enhanced protection for downstream electronics
- Accommodates operating transients above 3.3 V
- Small form-factor allows integration into connectors



Line-to-Line Surge

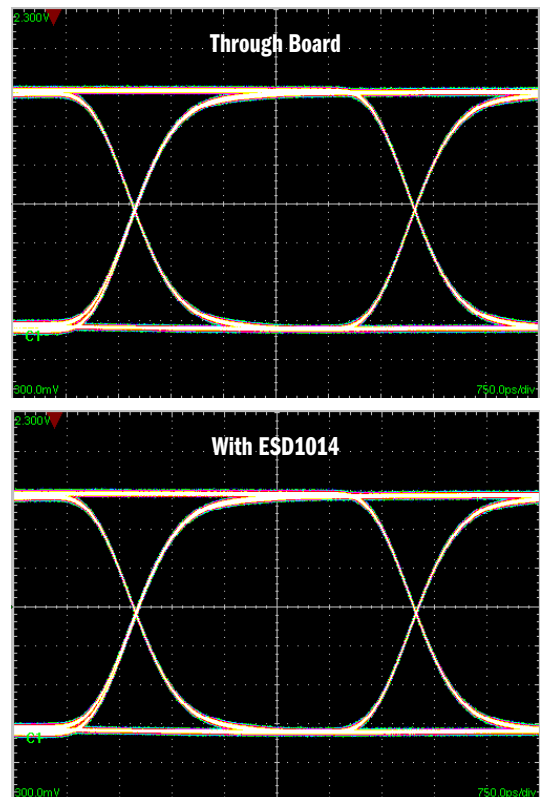
Typical Application



Line Side : LC03-6 (optional)

Transformer Side: ESD1014

Protection against metallic (transverse) strikes

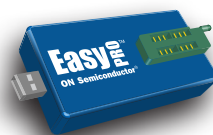


Signal Integrity for Gigabit Ethernet

Serial EEPROMs

Features

- Broad density range: 1 kb to 2 Mb
- Wide operating Vcc range: 1.8/1.7 V to 5.5 V
- High endurance: 1 million program/erase cycles
- Wide temperature range: industrial and extended



EasyPRO™ is a user-friendly, portable programming tool for ON Semiconductor serial EEPROMs (I²C, SPI, Microwire)

EEPROMs

Data Transmission Standard	Device	Density	Organization*	Vcc Min (V)	Vcc Max (V)	fCLK Max (MHz)	Package(s)
I ² C	CAT24M01	1 Mb	128k x 8	1.8	5.5	1	SOIC-8, TSSOP-8, UDFN-8
	CAT24C512	512 kb	64k x 8	1.8	5.5	1	SOIC-8, TSSOP-8, UDFN-8
	CAT24C256	256 kb	32k x 8	1.8	5.5	1	SOIC-8, TSSOP-8, UDFN-8
	CAT24C128	128 kb	16k x 8	1.8	5.5	1	SOIC-8, TSSOP-8, UDFN-8
	CAT24C64	64 kb	8k x 8	1.7	5.5	1	SOIC-8, TSSOP-8, UDFN-8
	CAT24C32	32 kb	4k x 8	1.7	5.5	1	SOIC-8, TSSOP-8, UDFN-8; WLCSP-5
	CAT24C16	16 kb	2k x 8	1.7	5.5	0.4	SOIC-8, TSSOP-8, UDFN-8, TSOT23-5, WLCSP-4, WLCSP-5
	CAT24C08	8 kb	1k x 8	1.7	5.5	0.4	SOIC-8, TSSOP-8, UDFN-8, TSOT23-5, WLCSP-4, WLCSP-5
	CAT24C04	4 kb	512 x 8	1.7	5.5	0.4	SOIC-8, TSSOP-8, UDFN-8, TSOT23-5, WLCSP-4, WLCSP-5
CAT24C02	2 kb	256 x 8	1.7	5.5	0.4	SOIC-8, TSSOP-8, UDFN-8, TSOT23-5, WLCSP-4, WLCSP-5	
SPI	CAT25M02	2 Mb	256k x 8	1.7	5.5	10	SOIC-8
	CAT25M01	1 Mb	128k x 8	1.8	5.5	10	SOIC-8, TSSOP-8
	CAT25512	512 kb	64k x 8	1.8	5.5	20	SOIC-8, TSSOP-8, UDFN-8
	CAT25256	256 kb	32k x 8	1.8	5.5	20	SOIC-8, TSSOP-8, UDFN-8
	CAT25128	128 kb	16k x 8	1.8	5.5	20	SOIC-8, TSSOP-8, UDFN-8
	CAT25640	64 kb	8k x 8	1.8	5.5	20	SOIC-8, TSSOP-8, UDFN-8
	CAT25320	32 kb	4k x 8	1.8	5.5	20	SOIC-8, TSSOP-8, UDFN-8
	CAT25160	16 kb	2k x 8	1.8	5.5	20	SOIC-8, TSSOP-8, UDFN-8
	CAT25080	8 kb	1k x 8	1.8	5.5	20	SOIC-8, TSSOP-8, UDFN-8
	CAT25040	4 kb	512 x 8	1.8	5.5	20	SOIC-8, TSSOP-8, UDFN-8
	CAT25020	2 kb	256 x 8	1.8	5.5	20	SOIC-8, TSSOP-8, UDFN-8
CAT25010	1 kb	128 x 8	1.8	5.5	20	SOIC-8, TSSOP-8, UDFN-8	
Microwire	CAT93C86	16 kb	2k x 8 / 1k x 16	1.8	5.5	3	SOIC-8
	CAT93C86B	16 kb	2k x 8 / 1k x 16	1.8 / 1.65	5.5	4	SOIC-8, TSSOP-8, UDFN-8
	CAT93C76	8 kb	1k x 8 / 512 x 16	1.8	5.5	3	SOIC-8, TSSOP-8
	CAT93C76B	8 kb	1k x 8 / 512 x 16	1.8 / 1.65	5.5	4	SOIC-8, TSSOP-8, UDFN-8
	CAT93C66	4 kb	512 x 8 / 256 x 16	1.8	5.5	2	SOIC-8, TSSOP-8
	CAT93C56	2 kb	256 x 8 / 128 x 16	1.8	5.5	2	SOIC-8, TSSOP-8
	CAT93C46	1 kb	128 x 8 / 64 x 16	1.8	5.5	2	SOIC-8, TSSOP-8
	CAT93C46B	1 kb	128 x 8 / 64 x 16	1.8 / 1.65	5.5	4	SOIC-8, TSSOP-8, UDFN-8

* Organization for Microwire devices is selectable.

Application Specific EEPROMs

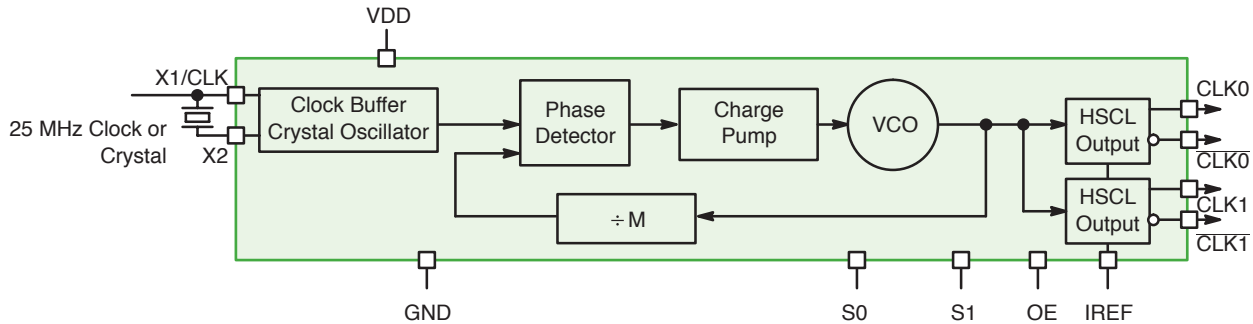
Data Transmission Standard	Device	Density	Organization	Vcc Min (V)	Vcc Max (V)	fCLK Max (MHz)	Package(s)	Notes
I ² C	CAT24C208	8 kb	1024 x 8	2.5	5.5	0.4	SOIC-8	VESA™ dual-port serial EEPROM
I ² C	CAT34C04*	4 kb	512 x 8	1.7	5.5	1	UDFN-8	Serial Presence Detect (SPD) I ² C EEPROM for DDR4 DIMM
I ² C/SMBus	CAT34TS04	4 kb	512 x 8	2.2	5.5	1	TDFN-8, UDFN-8	4 kb SPD EEPROM w/ Temperature Sensor for DDR4 DIMM
I ² C	CAT34C02	2 kb	256 x 8	1.7	5.5	0.4	UDFN-8, TDFN-8, TSSOP-8	Serial Presence Detect (SPD) I ² C EEPROM for DDR3 DIMM
I ² C/SMBus	CAT34TS02	2 kb	256 x 8	3.0	3.6	0.4	TDFN-8, UDFN-8	2 kb SPD EEPROM w/ Temperature Sensor for DDR3 DIMM

* Pending 3Q14.

Clock Synthesizers for High Performance Computing

Features

- Uses 25 MHz fundamental mode parallel resonant crystal
- PCI-e Gen 1,2 & 3 jitter compliant HCSL differential outputs
- NB3N50134 features configurable spread spectrum outputs
- NB3N51044 features individual OE control signal for each output, PLL bypass mode and an Input multiplexer
- NB3N51054 features I2C interface for OE control and configurable spread spectrum outputs
- 3.3 V supply



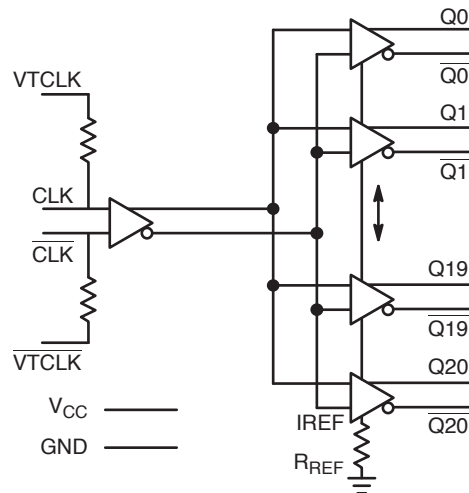
NB3N5573 Simplified Logic Diagram

Device	Number of Inputs	Input Type	f_{in} Typ (MHz)	Number of Outputs	Output Type	f_{out} Typ (MHz)	Spread Spectrum Outputs	Package
NB3N3002	1	Crystal; LVCMOS; LVTTTL	25	1	HCSL	25; 100; 125; 200	No	TSSOP-16
NB3N5573	1	Crystal; LVCMOS; LVTTTL	25	2	HCSL	25; 100; 125; 200	No	TSSOP-16
NB3N51032	1	Crystal; LVCMOS; LVTTTL	25	2	HCSL	25; 100; 125; 200	No	TSSOP-16
NB3N51034	1	Crystal; LVCMOS; LVTTTL	25	4	HCSL	100: 200	Yes	TSSOP-20
NB3N51044	2	Crystal; LVCMOS; LVTTTL	25	4	HCSL	100: 125	No	TSSOP-28
NB3N51054	1	Crystal; LVCMOS; LVTTTL	25	4	HCSL	100	Yes	TSSOP-24

Fanout Buffers for High Performance Computing

Features

- DC to 400 MHz
- Single ended input: LVPECL, LVDS, HCSL
- Typical input clock frequencies: 100, 133, 166, or 400 MHz
- Typical propagation delay: 800 ps
- HCSL differential outputs
- Integrated 50 Ω input termination resistors
- IREF pin enables setting of output drive
- Additive phase jitter 0.1 ps typical @ 100 MHz; PCI-e Gen 3 jitter compliant



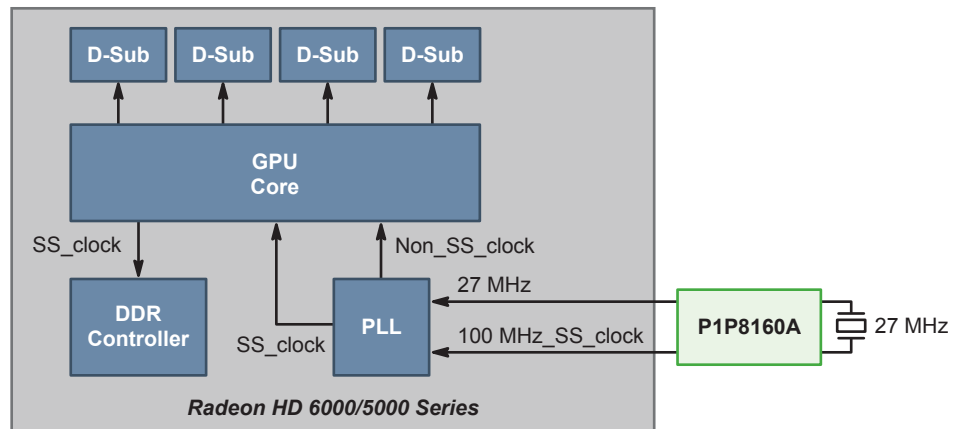
NB3N121K Logic Diagram

Device	Ratio	Additive $t_{\text{jitter(RMS) Typ}}$ (ps)	$t_{\text{skew(o-o) Max}}$ (ps)	$t_{\text{pd Typ}}$ (ns)	$t_{\text{r}} \& t_{\text{f Max}}$ (ps)	$f_{\text{maxClock Typ}}$ (MHz)	Package
NB3N106K	1:6	0.1	100	0.8	400	400	QFN-24
NB3N108K	1:8	0.1	100	0.8	400	400	QFN-32
NB3N111K	1:10	0.1	100	0.8	400	400	QFN-32
NB3N121K	1:21	0.1	100	0.8	700	400	QFN-52
NB4N111K	1:10	<1	100	0.8	700	400	QFN-32
NB4N121K	1:21	<1	50	0.8	700	200	QFN-52

Computing Clock for Graphics

P1P8160A Features

- Provides reference clock to the GPU & reduces EMI in the GDDR interface
- Input frequency 27 MHz; crystal or reference clock
- Output frequency 100 MHz spread spectrum clock; 27 MHz RefOUT
- Two tri-level logic pins for selecting eight frequency deviations along with SSOFF
- Modulation rate at 100 MHz: 32 kHz
- Low cycle-cycle & long term jitter
- Supply voltage: 3.3 V \pm 10%
- WDFN-10 package

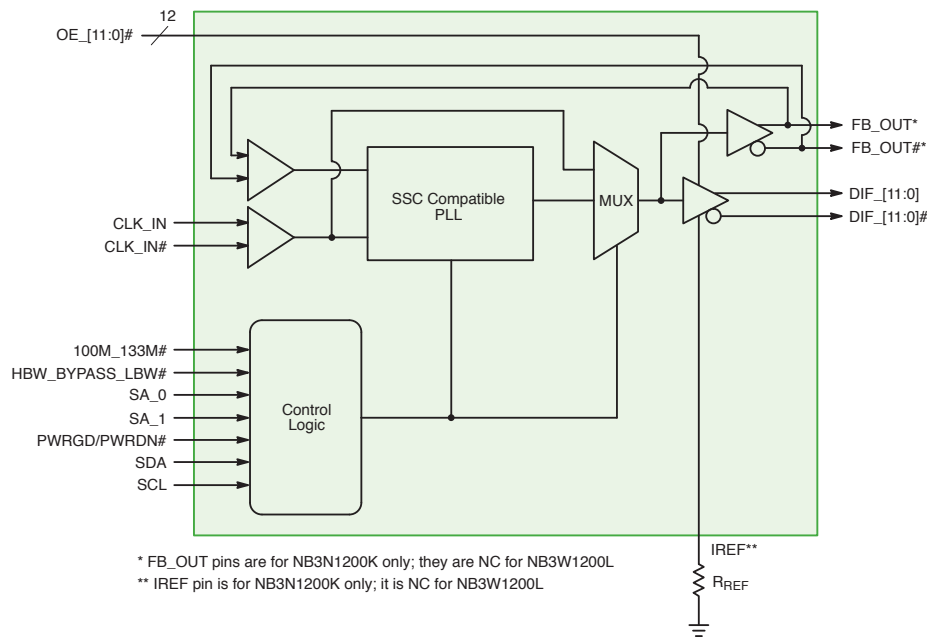


P1P8160A for AMD Graphics Card Application

Zero Delay Buffers Compliant with DB1200Z/ZL Specifications

Features

- Differential SRC clock support
- NB3N1200K: DB1200Z compliant 12 differential clock output pairs @ 0.7 V
- NB3W1200L: DB1200ZL compliant 12 low power NMOS push-pull output pairs
- Optimized for 100 MHz and 133 MHz to meet PCIe* Gen 2/Gen 3 and Intel QPI phase jitter specifications
- Spread spectrum compatible for low EMI
- Pseudo-external fixed-feedback for low input-to-output delay variation
- Individual OE control pin for each output
- SMBUS programmability for power down mode, PLL BW modes, PLL/Bypass mode & frequency selection



NB3N1200K Simplified Block Diagram

Device	Ratio	Output	t _{jitter(Cy-Cy)} Typ (ps)	t _{skew(I-o)} Max (ps)	t _{skew(o-o)} Max (ps)	Edge Rate Max (V/ns)	Package
NB3N1200K	1:12	HCSL	50	±100	50	4	QFN-64
NB3W1200L	1:12	Low power NMOS push-pull	50	±100	50	4	QFN-64

Sales and Design Assistance from ON Semiconductor

ON Semiconductor Distribution Partners

Allied Electronics	www.alliedelec.com	(800) 433-5700
Arrow Electronics	www.arrow.com	(800) 777-2776
Avnet	www.em.avnet.com	(800) 332-8638
Chip One Stop, Inc.	www.chip1stop.com/maker/on	(81) 45 470 8771
Daiwa Distribution Ltd.	www.daiwahk.com	(852) 2341 3351
Digi-Key	www.digikey.com	(800) 344-4539
EBV Elektronik	www.ebv.com/en/locations.html	(49) 8121 774-0
Fuji Electronics Co., Ltd.	www.fujiele.co.jp	(81) 3 3814 1770
Future & FAI Electronics	www.futureelectronics.com/contact	1-800-FUTURE1 (388-8731)
Mouser Electronics	www.mouser.com	(800) 346-6873
Newark/Farnell	www.farnell.com/onsemi	(800) 4-NEWARK
OS Electronics Co., Ltd.	www.oselec.jp	Japanese: (81) 3 3255 5985 Other Languages: (81) 3 3255 6066
Promate Electronic Co.	www.promate.com.tw	(886) 2 2659 0303
RinnoVent Co., Ltd. (Ryosan Group)	www.ryosan.co.jp	(81) 3 3862 2440
RS Components KK	jp.rs-online.com	(81) 45 335 8550
Segyung Bristestone Co.	www.bristestone.com	(82) 2 3218 1511
Serial AMSC	www.serialsystem.jp	(81) 3 5795 1635
Serial Microelectronics, HK	www.serialsys.com.hk	(852) 2790 8220
World Peace Industries Co.	www.wpi-group.com	(852) 2365 4860
WT Microelectronics Co.	www.wtmec.com	(852) 2950 0820
Yosun Electronics	www.yosun.com.tw	(886) 2 2659 8168

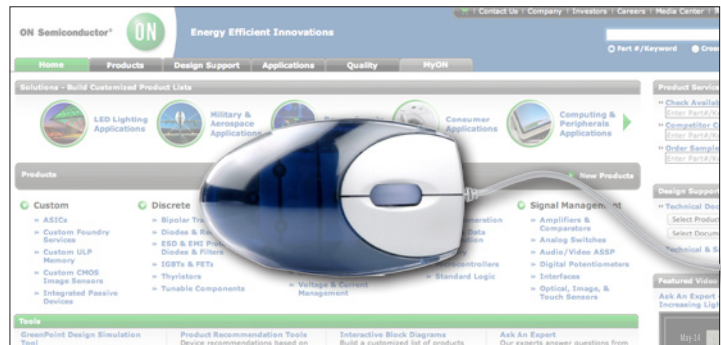
INTERNATIONAL

GREATER CHINA	Beijing	86-10-8577-8200
	Hong Kong	852-2689-0088
	Shenzhen	86-755-8209-1128
	Shanghai	86-21-5131-7168
	Taipei, Taiwan	886-2-2377-9911
FRANCE	Paris	33 (0)1 39-26-41-00
GERMANY	Munich	49 (0) 89-93-0808-0
INDIA	Bangalore	91-98-808-86706
ISRAEL	Raanana	972 (0) 9-9609-111
ITALY	Milan	39 02 9239311
JAPAN	Tokyo	81-3-5817-1050
KOREA	Seoul	82-31-786-3700
MALAYSIA	Penang	60-4-6463877
SINGAPORE	Singapore	65-6484-8603
SLOVAKIA	Piestany	421 33 790 2450
UNITED KINGDOM	Windsor	44 1753 62 6718

For a comprehensive listing of ON Semiconductor Sales Offices, please visit: www.onsemi.com/salesupport

AMERICAS REP FIRMS

Alabama	Huntsville	e-Components	(256) 533-2444
Brazil	Countrywide	Ammon & Rizos	(+55) 11-4688-1960
California	Bay Area	Electec	(408) 496-0706
	Southern California	Tech Coast Sales	(949) 305-6869
Canada	Eastern Canada	Astec	(905) 607-1444
Connecticut	Statewide	Paragon Electronic Systems	(603) 645-7630
Florida	Statewide	e-Components	(888) 468-2444
Georgia	Atlanta	e-Components	(888) 468-2444
Illinois	Hoffman Estates	Stan Clothier Company	(847) 781-4010
Indiana	Fishers	Bear VAI	(317) 570-0707
Kansas	Overland Park	Stan Clothier Company	(913) 894-1675
Maine	Statewide	Paragon Electronic Systems	(603) 645-7630
Maryland	Columbia	Third Wave Solutions	(410) 290-5990
Massachusetts	Statewide	Paragon Electronic Systems	(603) 645-7630
Mexico	Countrywide	Ammon & Rizos	(+55) 11-4688-1960
Michigan	St. Joseph	Bear VAI	(440) 526-1991
Minnesota	Eden Prairie	Stan Clothier Company	(952) 944-3456
Missouri	St. Charles	Stan Clothier Company	(636) 916-3777
New Hampshire	Statewide	Paragon Electronic Systems	(603) 645-7630
New Jersey	Statewide	S.J. Metro	(516) 942-3232
New York	Binghamton	TriTech - Full Line Rep	(607) 722-3580
	Jericho	S.J. Metro	(516) 942-3232
	Rochester	TriTech - Full Line Rep	(585) 385-6500
North Carolina	Raleigh	e-Components	(888) 468-2444
Ohio	Brecksville	Bear VAI Technology	(440) 526-1991
Puerto Rico	Countrywide	e-Components	(888) 468-2444
Rhode Island	Statewide	Paragon Electronic Systems	(603) 645-7630
Vermont	Statewide	Paragon Electronic Systems	(603) 645-7630
Wisconsin	Evansville	Stan Clothier Company	(608) 882-0686
	Oconomowoc	Stan Clothier Company	(608) 882-0686



ON Semiconductor and the ON logo are registered trademarks of Semiconductor Components Industries, LLC (SCILLC). SCILLC owns the rights to a number of patents, trademarks, copyrights, trade secrets, and other intellectual property. A listing of SCILLC's product/patent coverage may be accessed at www.onsemi.com/site/pdf/Patent-Marking.pdf. SCILLC reserves the right to make changes without further notice to any products herein. SCILLC makes no warranty, representation or guarantee regarding the suitability of its products for any particular purpose, nor does SCILLC assume any liability arising out of the application or use of any product or circuit, and specifically disclaims any and all liability, including without limitation special, consequential or incidental damages. "Typical" parameters which may be provided in SCILLC data sheets and/or specifications can and do vary in different applications and actual performance may vary over time. All operating parameters, including "Typicals" must be validated for each customer application by customer's technical experts. SCILLC does not convey any license under its patent rights nor the rights of others. SCILLC products are not designed, intended, or authorized for use as components in systems intended for surgical implant into the body, or other applications intended to support or sustain life, or for any other application in which the failure of the SCILLC product could create a situation where personal injury or death may occur. Should Buyer purchase or use SCILLC products for any such unintended or unauthorized application, Buyer shall indemnify and hold SCILLC and its officers, employees, subsidiaries, affiliates, and distributors harmless against all claims, costs, damages, and expenses, and reasonable attorney fees arising out of, directly or indirectly, any claim of personal injury or death associated with such unintended or unauthorized use, even if such claim alleges that SCILLC was negligent regarding the design or manufacture of the part. SCILLC is an Equal Opportunity/Affirmative Action Employer. This literature is subject to all applicable copyright laws and is not for resale in any manner.

PUBLICATION ORDERING INFORMATION

LITERATURE FULFILLMENT:

Literature Distribution Center for ON Semiconductor
P.O. Box 5163, Denver, Colorado 80217 USA
Phone: 303-675-2175 or 800-344-3860 Toll Free USA/Canada
Fax: 303-675-2176 or 800-344-3867 Toll Free USA/Canada
Email: orderlit@onsemi.com

N. American Technical Support: 800-282-9855 Toll Free
USA/Canada.

Europe, Middle East and Africa Technical Support:
Phone: 421 33 790 2910

Japan Customer Focus Center
Phone: 81-3-5817-1050

ON Semiconductor Website:

Order Literature: <http://www.onsemi.com/orderlit>

For additional information, please contact your local Sales Representative