

AIMH040 Series

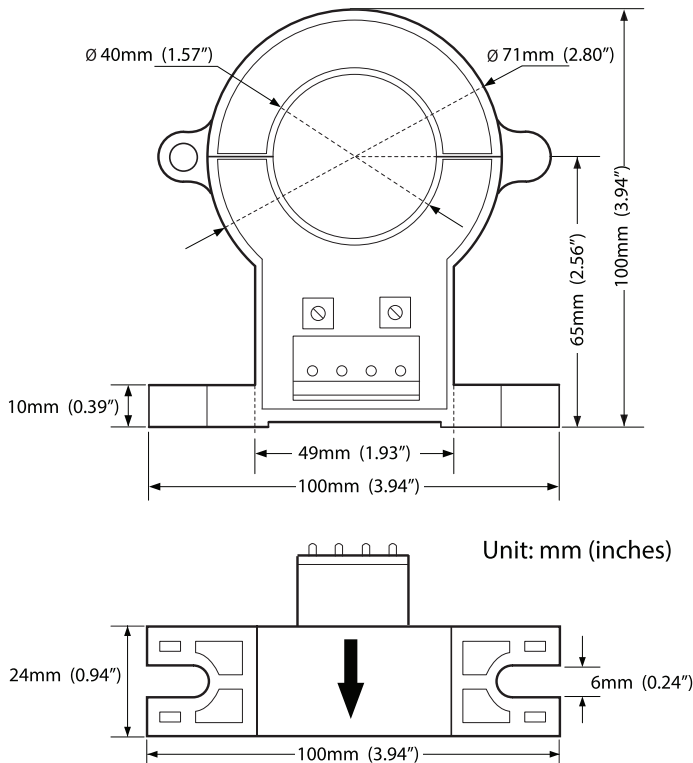
40mm Hall Effect Current Sensor

Aim Dynamics' AIMH040 series utilizes the Hall Effect principle to measure DC (or AC*) current up to 1000A. They output a corresponding +/-5 Vdc or 4-20 mA signal, depending on the option chosen. The AIMH series is 1% accurate and can be ordered to anticipate unidirectional input or bidirectional input.

SPECIFICATIONS

Rated Primary Current	500A, 800A, 1000A
Rated Output	-5 to +5Vdc or 4 - 20mA
Power Supply	+/-15 Vdc Required, 35 mA max
Temperatures	Storage: -22°F to 221°F (-30° to 105°C) Operating: 14°F to 185°F (-10° to 85°C)
Offset	None
UL Max Voltage	600V on Bare Conductor
Operating Frequency	DC to 10 kHz (-3 dB)
Certifications	61010-1, EN 60044-1
Accuracy	+/- 1% Class per IEC 61869-2
Weight	0.70 lbs (0.32 kg)

*All 4-20 mA versions measure DC currents only



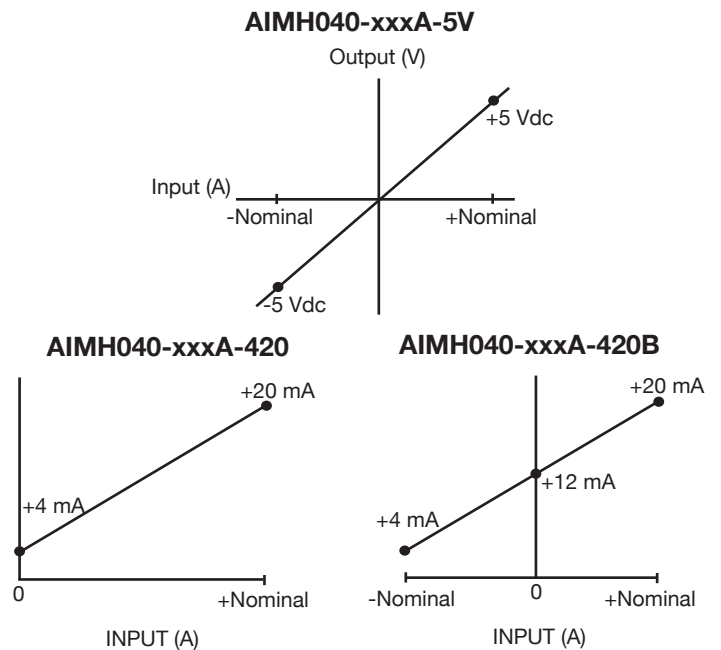
WIRING	
+	= +15 Vdc
-	= -15 Vdc
M	= Signal
⊥	= Common

MODEL BUILDER

AIMH **a** - **b** A - **c**

Window Size a: 040 = 40mm	Amperage Rating b: 500 = 500A 800 = 800A 1000 = 1000A	Output c: 5V = -5V to +5V (Bidirectional) 420 = 4-20mA (Unidirectional) 420B = 4-20mA (Bidirectional)
--	--	--

OUTPUT CHARTS



SAFETY

