

SIGN	DATE	DESCRIPTION	APPROVER
△	2013.06.13	Rev change	SHIN
△	2013.06.27	Corrected dimensions	
△	2014.02.14	Revised tolerances and corrected layout	
△	2016.11.13	PNC- part number change	
THIS IS CAD DRAWING, DO NOT REVISE MANUALLY!!!			

**Material**

- Insulator: Glass filled Polyester
- Flammability: UL94V-0
- Contacts: Phosphor Bronze
- Contact Plating: See options
- Shell: Copper Alloy, 80u Ni over 50u Cu

**Ratings**

- Current: 1.5A
- Voltage: 30V AC(r.m.s.)
- Dielectric Withstanding Voltage: 500V AC at sea level
- Contact Resistance: <30mΩ
- Insulation Resistance: >1,000 MΩ
- Operating Temperature: -55° ~ +85°
- Mating Force: 3.5Kg Max
- Umating Force: 1Kg. Min

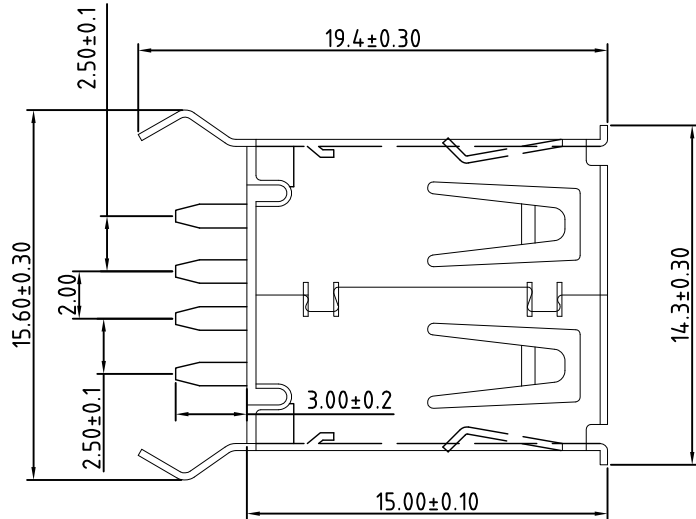
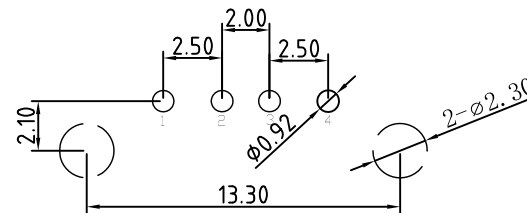
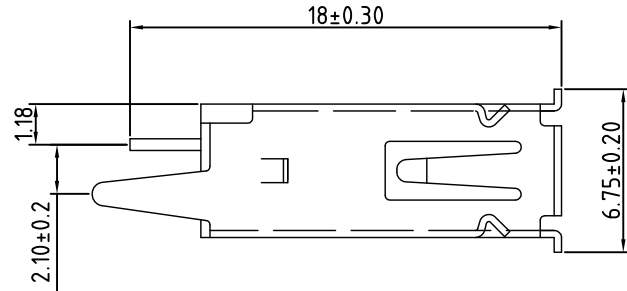
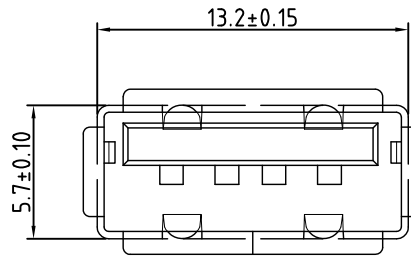
RoHS Compliant

PART NUMBER:

△  
**USB-A1VSXX0**

COLOR:  
B: Black  
W: White

PLATING:  
6: Selective Au Flash/50u" Ni  
8: Selective 30u" Au/50u" Ni (USB 2.0)



THESE DRAWINGS AND SPECIFICATIONS ARE THE PROPERTY OF ON-SHORE TECHNOLOGY, INC. AND SHALL NOT BE REPRODUCED, COPIED OR USED IN ANY MANNER WITHOUT THE PRIOR WRITTEN CONSENT OF ON-SHORE TECHNOLOGY, INC.



TITLE		USB - A type, Vertical, thru hole, single port, 0 shield style					
PART NO.		USB-A1VSXX0		DWG NO.		USB-A1VSXX0.DWG	
APPROVED		CHECKED	DESIGNED	DRAWN		1200	
		Marvin 2013.06.13	Marvin 2013.06.13	Marvin 2013.06.13		Tolerance	
						UNIT: mm SCALE: NONE REV.: B	
				SHEET: 01/01		X° ±1° XX ±0.30 XXX ±0.25 XXXX ±0.15	