

MGate™ MB3170/3270

1 and 2-port advanced serial-to-Ethernet Modbus gateways



- > Configuration is exceptionally easy
- > Slave mode supports 16 TCP masters and up to 31 or 62 serial slaves at the same time
- > Master mode supports 32 TCP slaves at the same time
- > Emergency request tunnels ensure QoS control
- > Serial redirector function provided
- > Embedded Modbus protocol analyzer
- > Redundant dual DC power inputs
- > Built-in Ethernet cascading for easy wiring



Overview

The MB3170 and MB3270 are advanced Modbus gateways that provide maximum flexibility for integrating industrial Modbus networks of all types and sizes. They are designed to integrate Modbus TCP, ASCII, and RTU devices in almost any master and slave combination, including serial master to serial slave, or simultaneous serial and

Ethernet masters. A special priority control feature allows urgent commands to obtain an immediate response. All models are ruggedly constructed, are DIN-rail mountable, and offer built-in optical isolation for serial signals as an option.

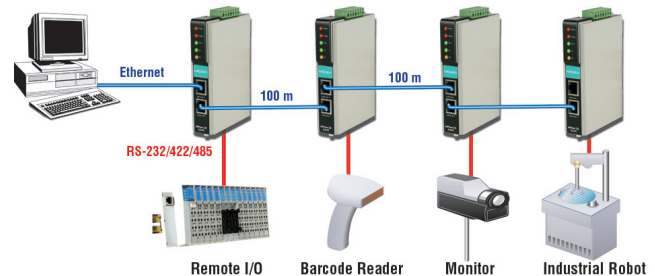
Integrate TCP Masters without Altering the Modbus RTU/ASCII Network or Software

The MB3270 can integrate Modbus TCP with Modbus RTU/ASCII, without modifying the existing Modbus RTU/ASCII architecture or software. With the serial redirector function, a serial master can

maintain direct access to serial slave devices through a specially mapped serial port. This allows the serial and TCP masters to access serial slaves simultaneously.

Cascade Ethernet Ports for Easy Wiring

Advanced models of the MGate™ MB3000 series have two Ethernet ports to make network wiring easier. Dual Ethernet ports allow users to string multiple Modbus gateways together using standard RJ45 Ethernet cables, eliminating the need for a separate Ethernet switch.



Redundant Power Inputs

Advanced models of the MB3000 series have dual power inputs for greater reliability. The power inputs allow simultaneous connections to two live DC power sources, so that continuous operation is provided

even if one power source fails. The higher level of reliability makes these advanced Modbus gateways ideal for demanding industrial applications.

Warning by Relay Output

A relay output is provided for the Ethernet link and power input status. The relay output gives maintenance engineers an additional tool for

troubleshooting and maintenance.

Priority Control for Urgent Commands (Patented)

As Modbus networks increase in size and complexity, the lag time between commands and responses becomes a major concern. Advanced models of the MB3000 series provide a priority control function for urgent commands, allowing users to force certain commands to get an immediate response. Depending on your system's requirements, different methods are available to define which commands receive priority.

Patent Numbers: (US/TW)

US7,743,192 B2 / I332618
US7,725,635 B2 / I321007

Specifications

Ethernet Interface

Protocol: Modbus TCP

Number of Ports: 2 (1 IP, Ethernet cascade)

Speed: 10/100 Mbps, Auto MDI/MDIX

Connector: 8-pin RJ45

Magnetic Isolation Protection: 1.5 kV (built-in)

Serial Interface

Protocol: Modbus RTU/ASCII Slave/Master

Number of Ports:

MB3170/3170I: 1

MB3270/3270I: 2

Serial Standards: RS-232/422/485, software selectable

Connectors:

MB3170/3170I: DB9 male for RS-232, terminal block for RS-422/485

MB3270/3270I: DB9 male x 2

Magnetic Isolation Protection: 2 kV (for "I" models)

ESD Protection: 15 kV for all signals

RS-485 Data Direction Control: ADDC® (automatic data direction control)

Pull High/Low Resistor for RS-485: 1 kΩ, 150 kΩ

Terminator for RS-485: 120 Ω

Serial Communication Parameters

Data Bits: 7, 8

Stop Bits: 1, 2

Parity: None, Even, Odd, Space, Mark

Flow Control: RTS/CTS, DTR/DSR (RS-232 only)

Baudrate: 50 bps to 921.6 kbps

Serial Signals

RS-232: TxD, RxD, RTS, CTS, DTR, DSR, DCD, GND

RS-422: Tx+, Tx-, Rx+, Rx-, GND

RS-485-4w: Tx+, Tx-, Rx+, Rx-, GND

RS-485-2w: Data+, Data-, GND

Software

Configuration Options: Web Console, Serial Console, Telnet Console, Windows Utility

Utility: MGate Manager for Windows 2000/XP/2003/Vista/Server 2008/7/8 (x86/x64), Windows Server 2008 R2/2012 (x64)

Multi-master and Multi-drop:

Master mode: 32 TCP slaves

Slave mode: 16 TCP masters (request queue 32-deep for each master)

Support: Smart Routing, Serial Redirection, ProCOM, Priority Control, MXview, SNMP v1 (read only)

Physical Characteristics

Housing: Plastic

Weight:

MGate MB3170: 360 g

MGate MB3270: 380 g

Dimensions:

Without ears: 29 x 89.2 x 118.5 mm (1.14 x 3.51 x 4.67 in)

With ears extended: 29 x 89.2 x 124.5 mm (1.14 x 3.51 x 4.90 in)

Environmental Limits

Operating Temperature:

Standard Models: 0 to 60°C (32 to 140°F)

Wide Temp. Models: -40 to 75°C (-40 to 167°F)

Storage Temperature: -40 to 85°C (-40 to 185°F)

Ambient Relative Humidity: 5 to 95% (non-condensing)

Altitude: Up to 2000 m (795 hPa), higher altitudes on demand

Note: Please contact Moxa if you require products guaranteed to function properly at higher altitudes.

Power Requirements

Input Voltage: 12 to 48 VDC

Power Connector: Terminal block

Power Consumption:

MGate MB3170: 435 mA (max.)

MGate MB3170I: 555 mA (max.)

MGate MB3270: 435 mA (max.)

MGate MB3270I: 510 mA (max.)

Relay Output:

1 digital relay output to alarm (normal close): Current carrying capacity

1 A @ 30 VDC

Standards and Certifications

Safety: UL 508, EN 60950-1

Hazardous Location:

UL/cUL Class 1 Division 2 Groups A/B/C/D,

ATEX Zone 2 Ex nA IIC T3 Gc, IECEx (-IEX model only)

EMC: CE, FCC

EMI: EN 55022 Class A, FCC Part 15 Subpart B Class A

EMS:

EN 55024,

EN 61000-4-2 (ESD) Level 3,

EN 61000-4-3 (RS) Level 3,

EN 61000-4-4 (EFT) Level 4,

EN 61000-4-5 (Surge) Level 3,

EN 61000-4-6 (CS) Level 3,

EN 61000-4-8 (PFMF) Level 1,

EN 61000-4-11

Marine: DNV

Shock: IEC 60068-2-27

Freefall: IEC 60068-2-32

Vibration: IEC 60068-2-6

Reliability

MTBF (mean time between failures):

MGate MB3170: 210,794 hrs

MGate MB3270: 125,234 hrs

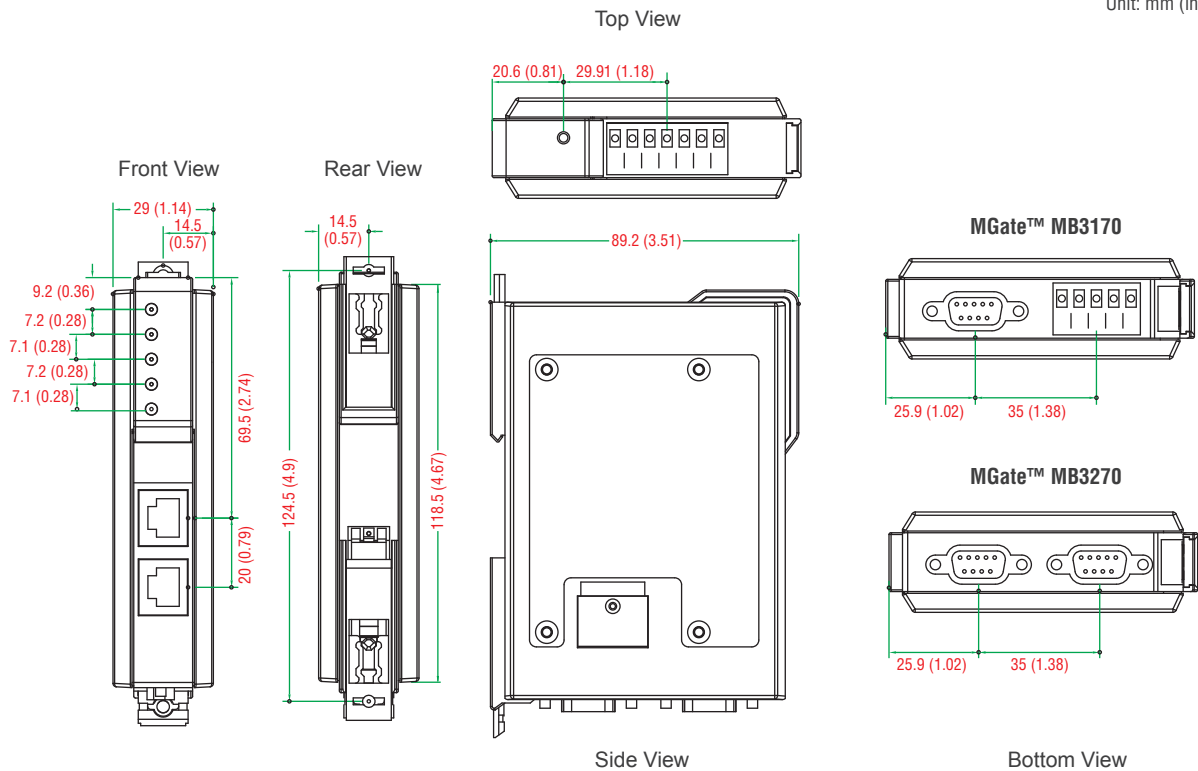
Warranty

Warranty Period: 5 years

Details: See www.moxa.com/warranty

Dimensions

Unit: mm (inch)



Ordering Information

Available Models

- MGate MB3170:** 1-port advanced Modbus gateway, 0 to 60°C operating temperature
- MGate MB3170I:** 1-port advanced Modbus gateway with 2 kV isolation, 0 to 60°C operating temperature
- MGate MB3270:** 2-port advanced Modbus gateway, 0 to 60°C operating temperature
- MGate MB3270I:** 2-port advanced Modbus gateway with 2 kV isolation, 0 to 60°C operating temperature
- MGate MB3170-T:** 1-port advanced Modbus gateway, -40 to 75°C operating temperature
- MGate MB3170I-T:** 1-port advanced Modbus gateway with 2 kV isolation, -40 to 75°C operating temperature
- MGate MB3270-T:** 2-port advanced Modbus gateway, -40 to 75°C operating temperature
- MGate MB3270I-T:** 2-port advanced Modbus gateway with 2 kV isolation, -40 to 75°C operating temperature
- MGate MB3170-IEEx:** 1-port advanced Modbus gateway, 0 to 60°C operating temperature, IECEEx certification
- MGate MB3170I-IEEx:** 1-port advanced Modbus gateway with 2 kV isolation, 0 to 60°C operating temperature, IECEEx certification
- MGate MB3270-IEEx:** 2-port advanced Modbus gateway, 0 to 60°C operating temperature, IECEEx certification
- MGate MB3270I-IEEx:** 2-port advanced Modbus gateway with 2 kV isolation, 0 to 60°C operating temperature, IECEEx certification
- MGate MB3170-T-IEEx:** 1-port advanced Modbus gateway with 2 kV isolation, -40 to 75°C operating temperature, IECEEx certification
- MGate MB3270-T-IEEx:** 2-port advanced Modbus gateway, -40 to 75°C operating temperature, IECEEx certification
- MGate MB3270I-T-IEEx:** 2-port advanced Modbus gateway with 2 kV isolation, -40 to 75°C operating temperature, IECEEx certification

Optional Accessories (can be purchased separately)

- MXview:** Moxa industrial network management software with 50, 100, 250, 500, 1000, or 2000 nodes
- DR-4524:** 45W/2A DIN-rail 24 VDC power supply with universal 85 to 264 VAC input
- DR-75-24:** 75W/3.2A DIN-rail 24 VDC power supply with universal 85 to 264 VAC input
- DR-120-24:** 120W/5A DIN-rail 24 VDC power supply with 88 to 132 VAC/176 to 264 VAC input by switch
- Mini DB9F-to-TB Adapter:** DB9 female to terminal block adapter

Package Checklist

- 1 MGate MB3170 or MB3170I or MB3270 or MB3270I modbus gateway
- Documentation and software CD
- Quick installation guide (printed)
- Warranty card