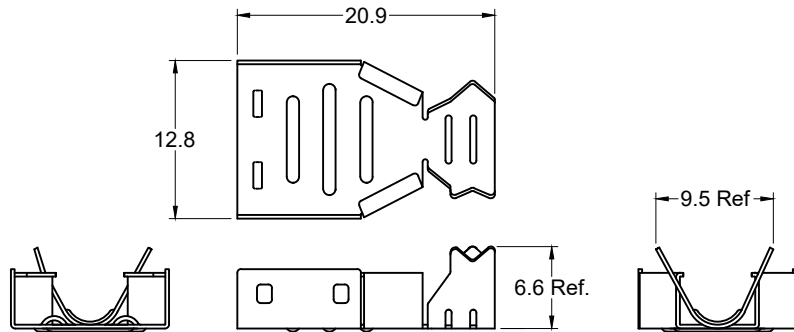
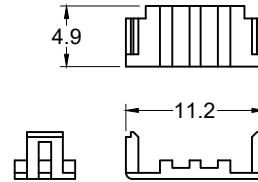


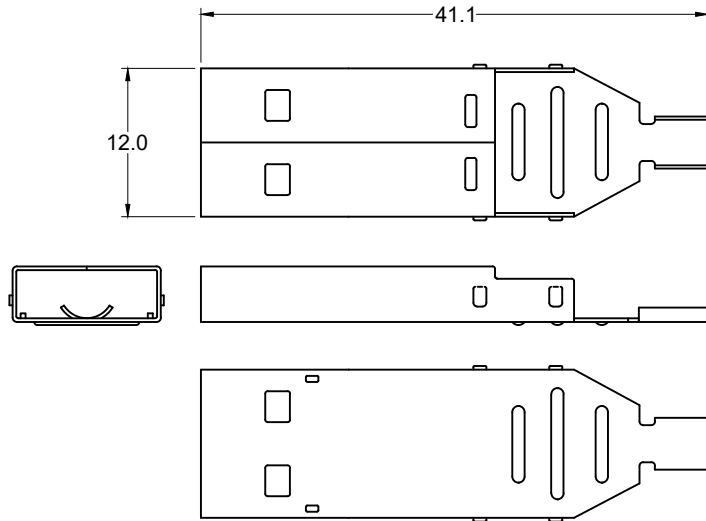
Rear Shell



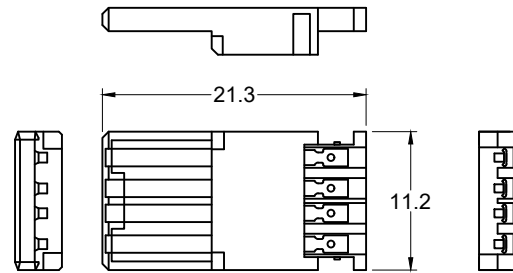
Strain Relief



Front Shell



Insulator Body



Materials and Finish

Shell:
Steel or Phosphor Bronze
0.3mm thickness

Insulator:
PBT Thermoplastic
UL 94V-0 Rated
White Color

Contact Plating-
Standard: Glod flash plated
30 option: 30u" gold plated.

Recommended Cable Size:
Ø3.4 to Ø5.3 outer diameter

Electrical Characteristics

Contact Resistance:
30 milliohm max. initial

Insulation Resistance:
1000 Megohm min.

Dielectric Withstanding Voltage:
500V AC (rms) min.

Voltage Rating: 30V AC (rms)

Current Rating: 1.5A max.
per contact at 30°C T-Rise

Operating Temperature:
-55°C to +85°C

Ordering Information

| Part Number | Contact Area Plating |
|--------------------|------------------------|
| KUSBX-AP-KIT-SC | Gold Flash (standard) |
| KUSBX-AP-KIT-SC-30 | 30u" Gold (-30 option) |

Tolerances

X.X ± 0.25
X.XX ± 0.15
Unless Stated
Otherwise

RoHS COMPLIANT

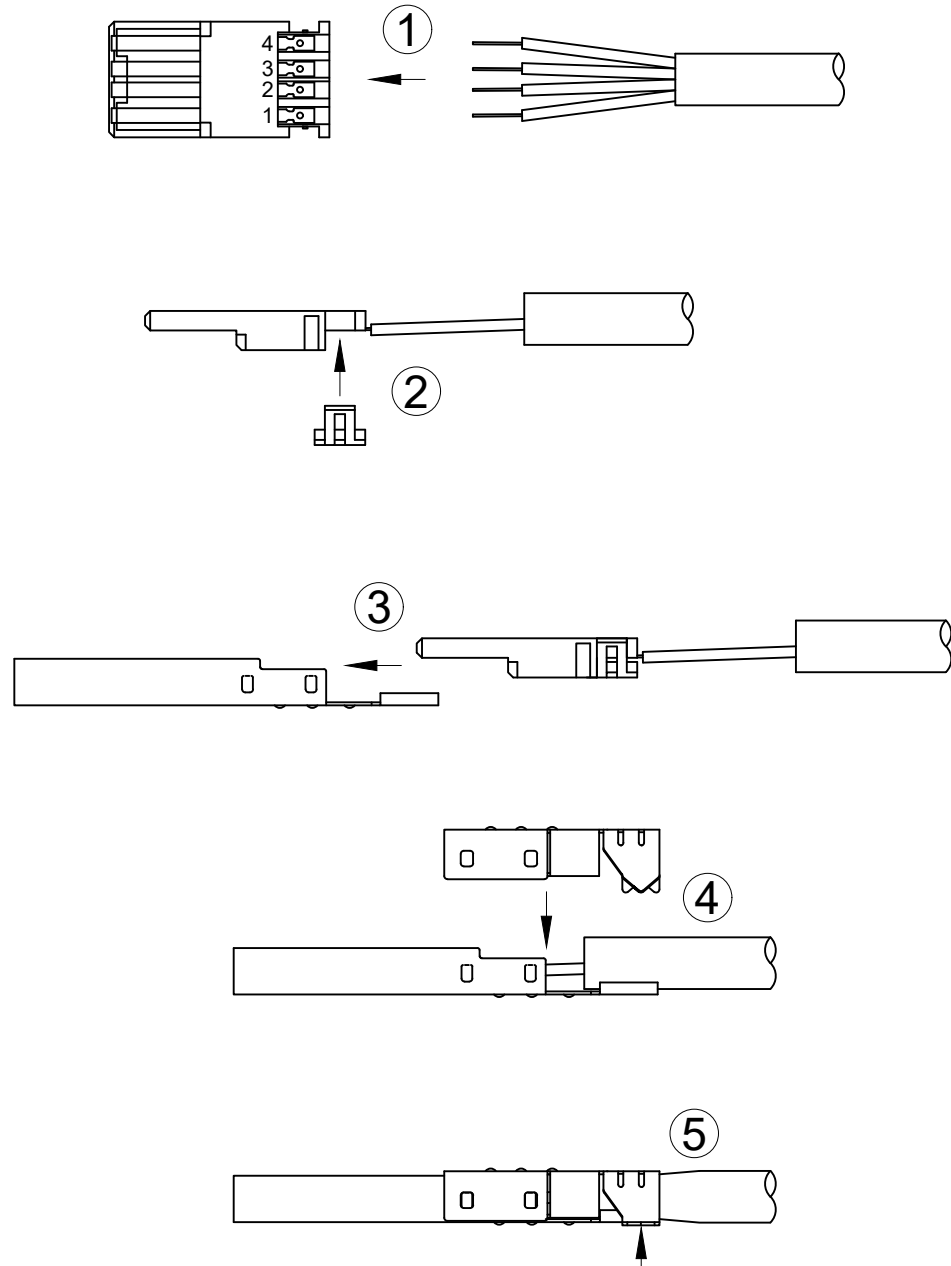
| REV. | DATE | DESCRIPTION | REV. BY | CHK. BY | DRAWN BY | DATE |
|------|----------|-------------------------|------------|-------------|----------|---------|
| A1 | 6/27/05 | New Drawing | N.Chang | C. Furumasu | N.Chang | 6/27/05 |
| A2 | 6/14/06 | Add 30 option | H. MA | C. Furumasu | | |
| A3 | 10/07/10 | ECO #10-070 | S. Vien | H. MA | | |
| A4 | 08/29/18 | Update Address & Page 2 | G. Serrato | D. Shehan | | |

KUSBX-AP-KIT-SC

USB A-type Plug Assembly, RoHS Compliant

With Solder Cup ends, page 1 of 2





Assembly Instructions

- 1) Solder cable wires to Insulator Body.
- 2) Snap Strain Relief onto Insulator Body.
- 3) Place Strain Relief/Insulator Body assembly into Front Shell and push forward until firmly seated in place.
- 4) Snap Rear Shield onto Front Shield.
- 5) Crimp Rear Shield tail over Front Shield.

| Tolerances |
|---------------|
| X.X ± 0.25 |
| X.XX ± 0.15 |
| Unless Stated |
| Otherwise |

RoHS COMPLIANT

| REV. | DATE | DESCRIPTION | REV. BY | CHK. BY | DRAWN BY | DATE |
|------|----------|-------------------------|------------|-------------|----------|---------|
| A1 | 6/27/05 | New Drawing | N.Chang | C. Furumasu | N.Chang | 6/27/05 |
| A2 | 6/14/06 | Add 30 option | H. MA | C. Furumasu | | |
| A3 | 10/07/10 | ECO #10-070 | S. Vien | H. MA | | |
| A4 | 08/29/18 | Update Address & Page 2 | G. Serrato | D. Shehan | | |

KUSBX-AP-KIT-SC

USB A-type Plug Assembly, RoHS Compliant

With Solder Cup ends, page 2 of 2

