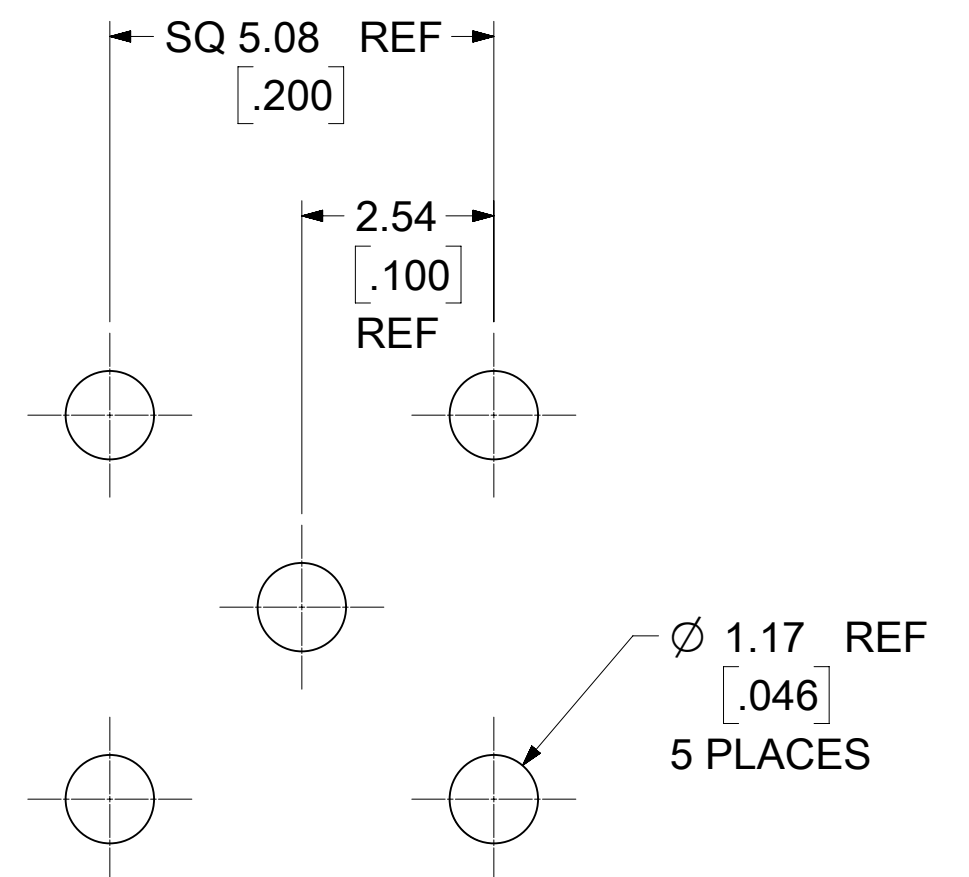
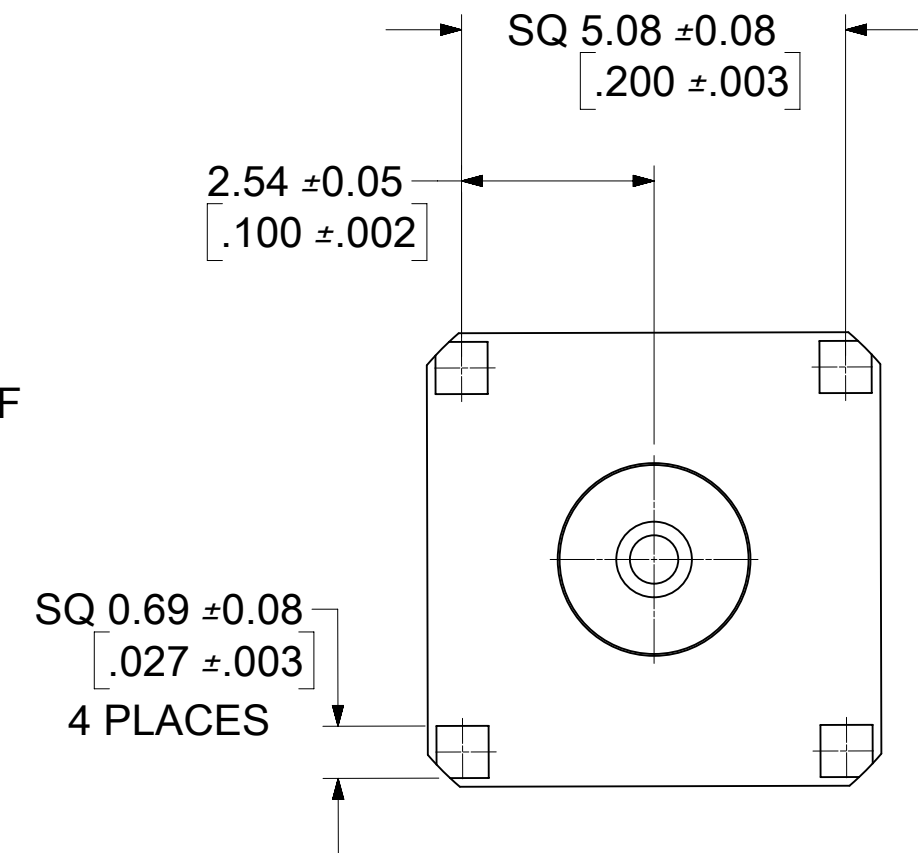
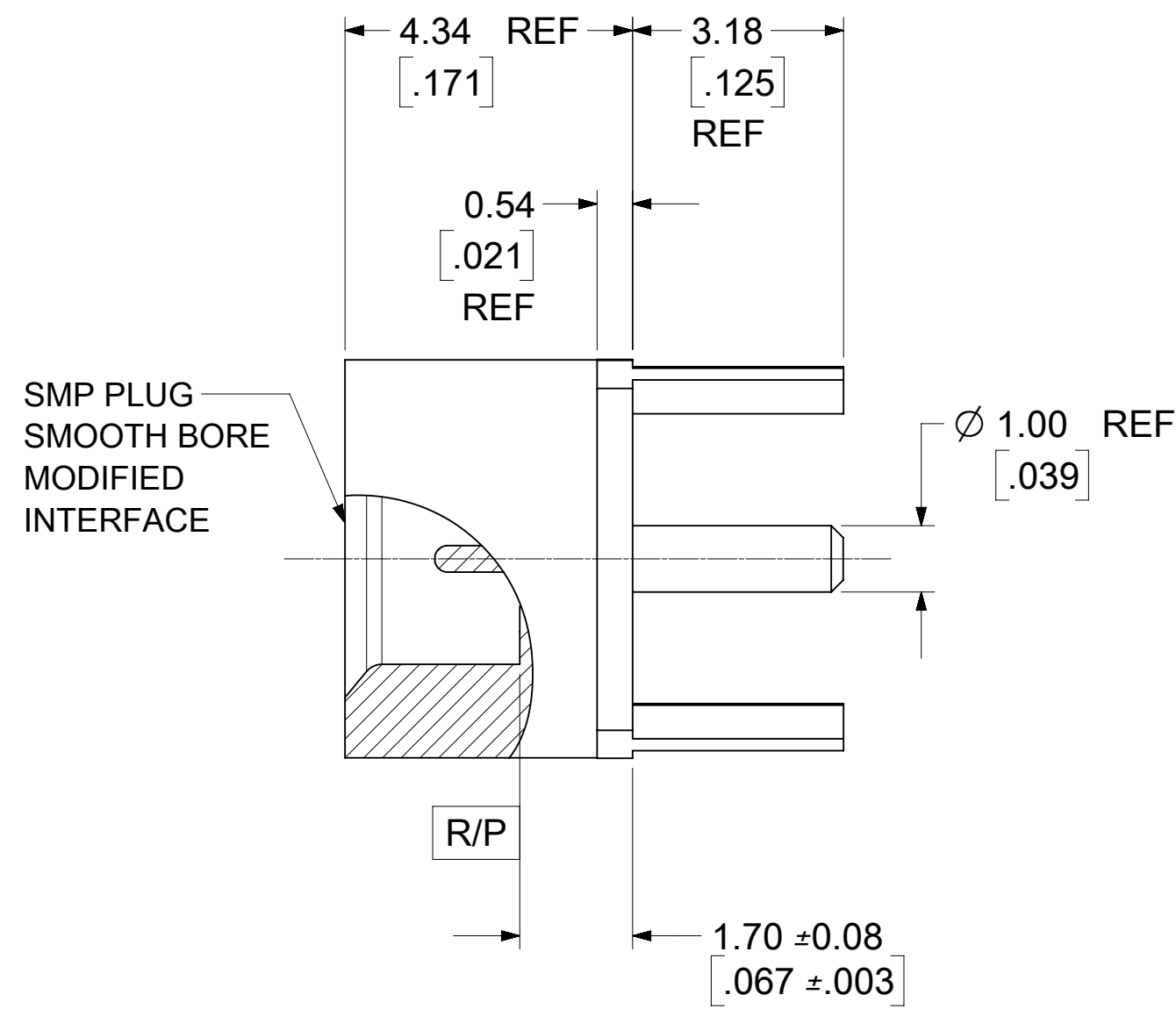
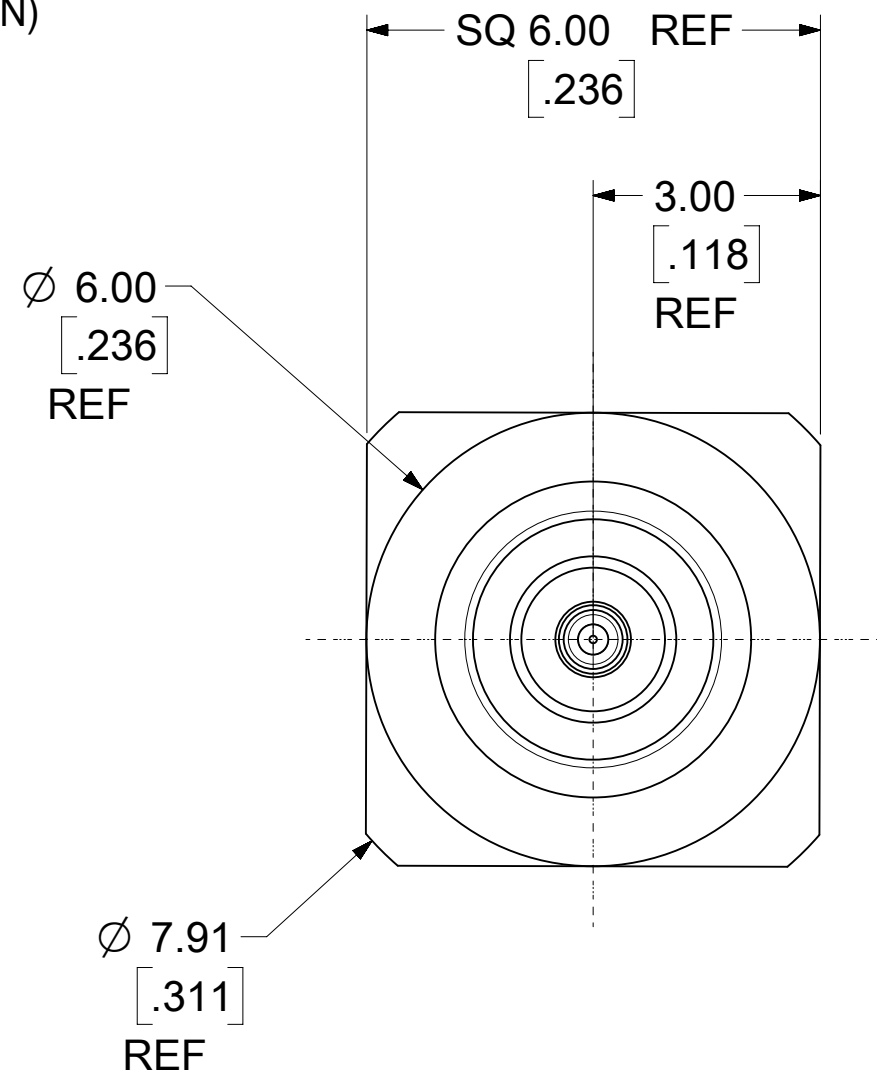
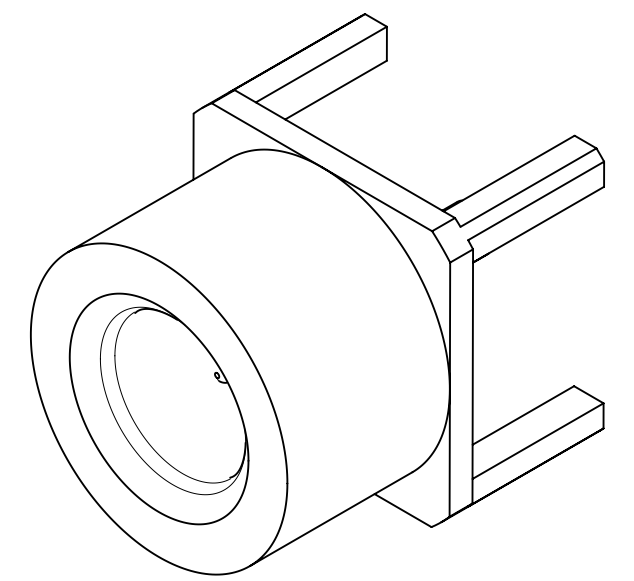


MATERIALS AND FINISHES:

BODY: BRASS
 PLATED: GOLD (10μ-in MIN)
 OVER NICKEL (100μ-in MIN)

CENTER CONTACT: BRASS
 PLATED: GOLD (30μ-in MIN)
 OVER NICKEL (100μ-in MIN)

INSULATOR: PTFE



RECOMMENDED PCB LAYOUT

73415-5311	TAPE & REEL
73415-5310	TRAY
PART NO.	PACKAGING

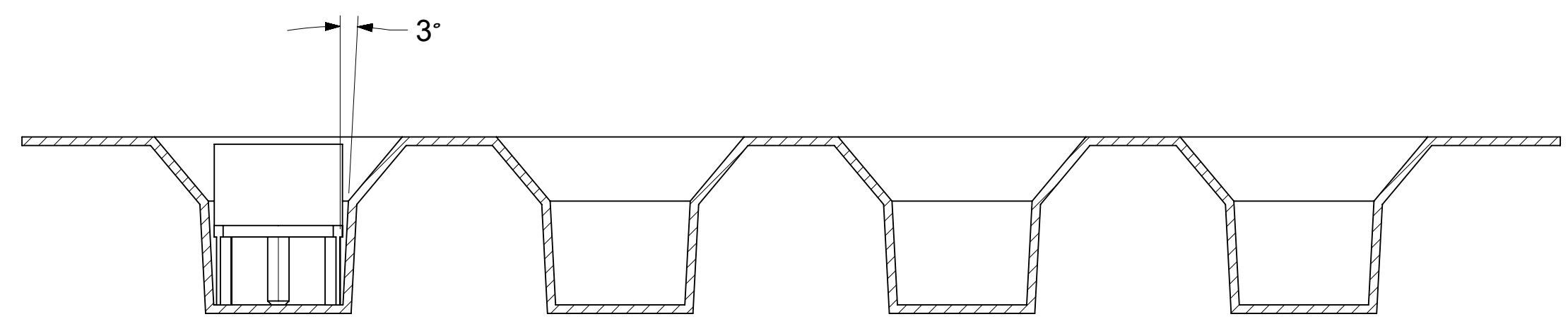
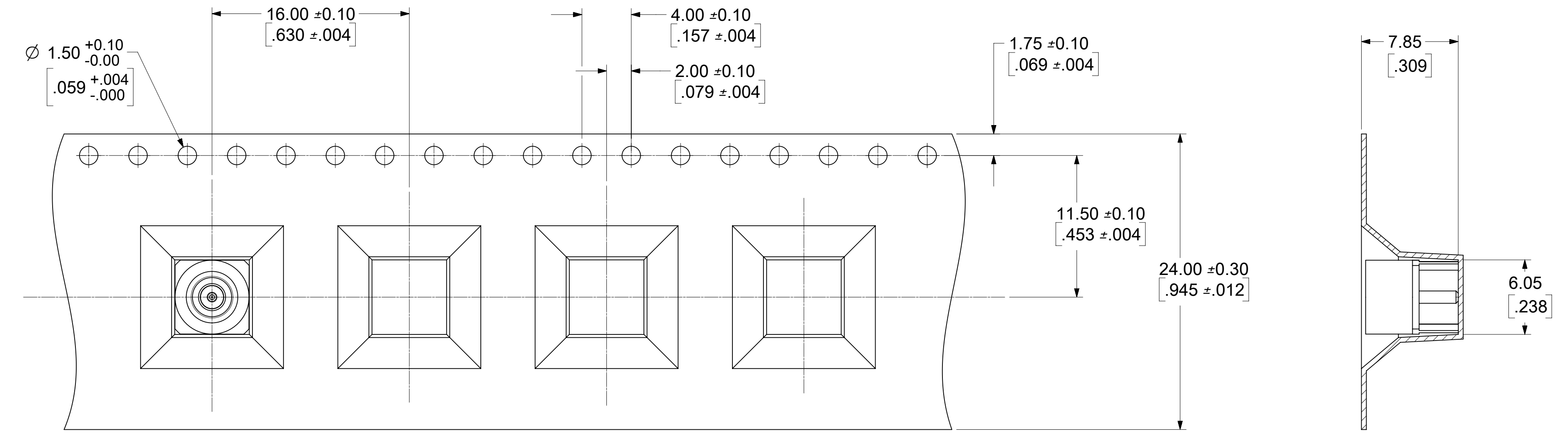
PS-89675-3320	PRODUCT SPECIFICATION
MIL-STD-348B, FIG. 326.5	INTERFACE
SPECIFICATION	DESCRIPTION

SYMBOLS	THIS DRAWING CONTAINS INFORMATION THAT IS PROPRIETARY TO MOLEX ELECTRONIC TECHNOLOGIES, LLC AND SHOULD NOT BE USED WITHOUT WRITTEN PERMISSION			
	DIMENSION UNITS	SCALE		CURRENT REV DESC:
▽ = 0	MM/IN	NTS		EC NO: 624291 DRWN: SSSHAH 2019/09/17 CHK'D: LMEIER 2019/09/24 APPR: AROBERTSON 2019/09/24
▽ = 0	GENERAL TOLERANCES (UNLESS SPECIFIED)			
▽ = 0		MM	INCH	INITIAL REVISION: DRWN: SSSHAH 2005/04/19 APPR: JWIENER 2005/04/19
▽ = 0	4 PLACES	±	±	
▽ = 0	3 PLACES	±	± 0.01	SERIES 73415
▽ = 0	2 PLACES	± 0.25	±	
▽ = 0	1 PLACE	±	±	MATERIAL NUMBER SEE TABLE
▽ = 0	0 PLACES	±	±	
▽ = 0	ANGULAR TOL	± 2.0 °		CUSTOMER SEE TABLE
▽ = 0	DRAFT WHERE APPLICABLE MUST REMAIN WITHIN DIMENSIONS			
▽ = 0	THIRD ANGLE PROJECTION	DRAWING	SHEET NUMBER	SHEET NUMBER
		C-SIZE	73415	1 OF 3

molex

SMP PLUG SB MOD INTERF
 PCB TH VERT 50 OHM SMP-P/PCB, EWR-2735

PRODUCT CUSTOMER DRAWING			
DOCUMENT NUMBER	DOC TYPE	DOC PART	REVISION
SD-73415-531	PSD	001	C5



NOTE:
MATERIAL: PS BLACK-THICKNESS: 0.40±0.05 MM

THIS DRAWING CONTAINS INFORMATION THAT IS PROPRIETARY TO MOLEX ELECTRONIC TECHNOLOGIES, LLC AND SHOULD NOT BE USED WITHOUT WRITTEN PERMISSION										
SYMBOLS		DIMENSION UNITS	SCALE	CURRENT REV DESC:						
▽ = 0	mm	NTS	EC NO: 624291							
▽ = 0	GENERAL TOLERANCES (UNLESS SPECIFIED)		DRWN: SSSHAH 2019/09/17							
▽ = 0	ANGULAR TOL ± 2.0°		CHK'D: LMEIER 2019/09/24							
▽ = 0	4 PLACES ±		APPR: AROBERTSON 2019/09/24							
▽ = 0	3 PLACES ±		INITIAL REVISION:							
▽ = 0	2 PLACES ± 0.25		DRWN: SSHAH 2005/04/19							
▽ = 0	1 PLACE ±		APPR: JWIENER 2005/04/19							
▽ = 0	0 PLACES ±		DRAFT WHERE APPLICABLE MUST REMAIN WITHIN DIMENSIONS		THIRD ANGLE PROJECTION	DRAWING	SERIES	MATERIAL NUMBER	CUSTOMER	SHEET NUMBER
▽ = 0			C-SIZE		73415	SEE TABLE				2 OF 3

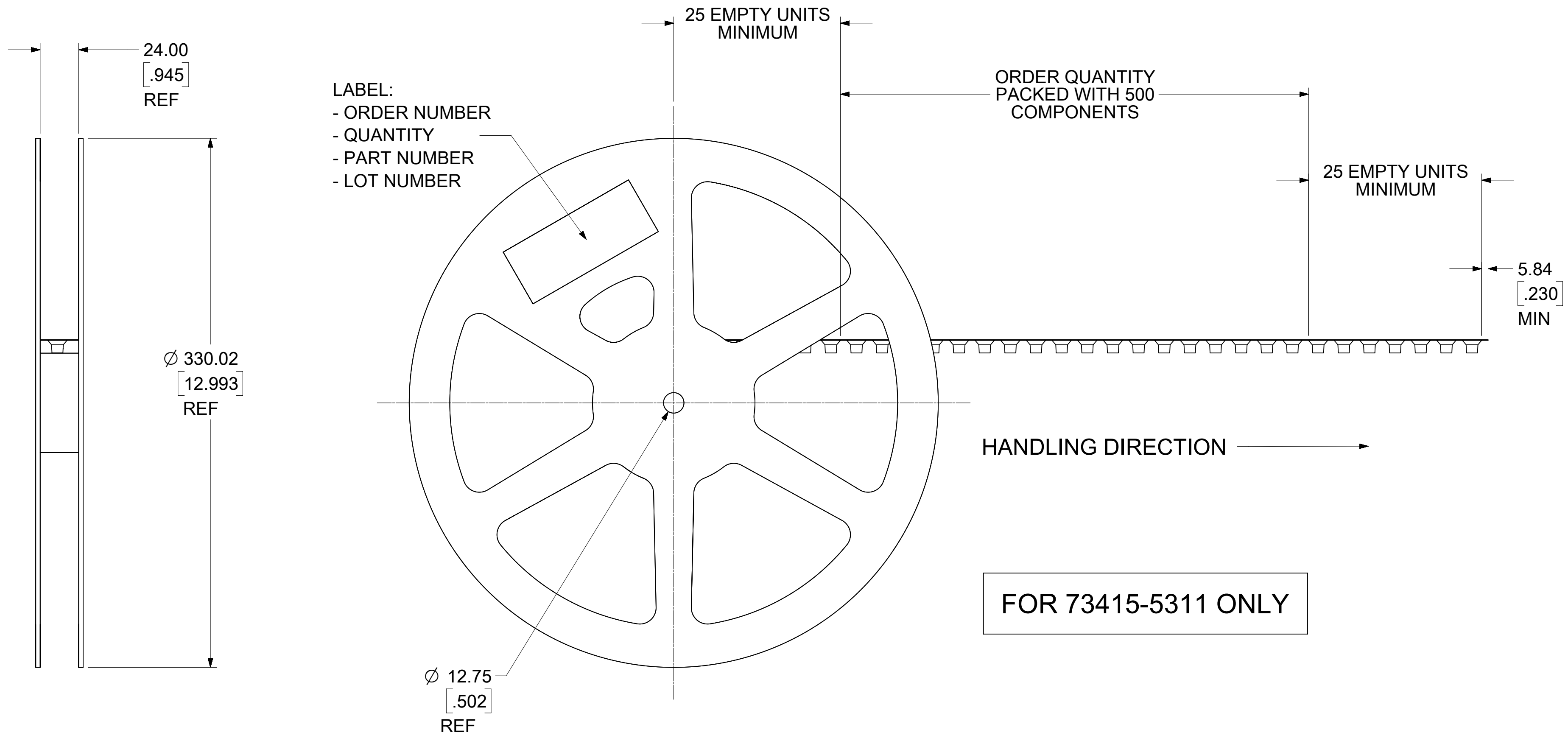
molex

SMP PLUG SB MOD INTERF
PCB TH VERT 50 OHM SMP-P/PCB, EWR-2735

PRODUCT CUSTOMER DRAWING

DOCUMENT NUMBER
SD-73415-531

DOC TYPE DOC PART REVISION
PSD 001 C5



- NOTES:
1. DIMENSIONS ARE PROVIDED FOR REFERENCE ONLY
 2. COMPONENT LOAD PER 13" REEL : 500PCS

THIS DRAWING CONTAINS INFORMATION THAT IS PROPRIETARY TO MOLEX ELECTRONIC TECHNOLOGIES, LLC AND SHOULD NOT BE USED WITHOUT WRITTEN PERMISSION									
SYMBOLS	DIMENSION UNITS	SCALE	CURRENT REV DESC:						
	mm	NTS							
▽ = 0	GENERAL TOLERANCES (UNLESS SPECIFIED)		EC NO: 624291						
▽ = 0	ANGULAR TOL ± 2.0°		DRWN: SSSHAH 2019/09/17						
▽ = 0	4 PLACES ±		CHK'D: LMEIER 2019/09/24						
▽ = 0	3 PLACES ±		APPR: AROBERTSON 2019/09/24						
▽ = 0	2 PLACES ± 0.25		INITIAL REVISION:						
▽ = 0	1 PLACE ±		DRWN: SSHAH 2005/04/19						
▽ = 0	0 PLACES ±		APPR: JWIENER 2005/04/19						
▽ = 0	DRAFT WHERE APPLICABLE MUST REMAIN WITHIN DIMENSIONS		THIRD ANGLE PROJECTION	DRAWING	SERIES	MATERIAL NUMBER	CUSTOMER	SHEET NUMBER	
▽ = 0				C-SIZE	73415	SEE TABLE		3 OF 3	

molex

SMP PLUG SB MOD INTERF
PCB TH VERT 50 OHM SMP-P/PCB, EWR-2735

PRODUCT CUSTOMER DRAWING

DOCUMENT NUMBER
SD-73415-531

DOC TYPE DOC PART REVISION
PSD 001 C5