

## 150 mA Micropower $\mu$ Cap Baseband LDO

### Features

- Input Voltage Range: 2.25V to 5.5V
- Ultra-Low IQ: Only 16  $\mu$ A Operating Current
- Stable with Ceramic Output Capacitors
- Low Dropout Voltage of 45 mV @ 100 mA
- High Output Accuracy:
  - $\pm 1.0\%$  Initial Accuracy
  - $\pm 2.0\%$  over Temperature
- Thermal Shutdown Protection
- Current Limit Protection

### Applications

- Digital Logic Power Supply
- Stand-By Power Supply
- Cellular Phones
- PDAs
- Portable Electronics
- Notebook PCs

### General Description

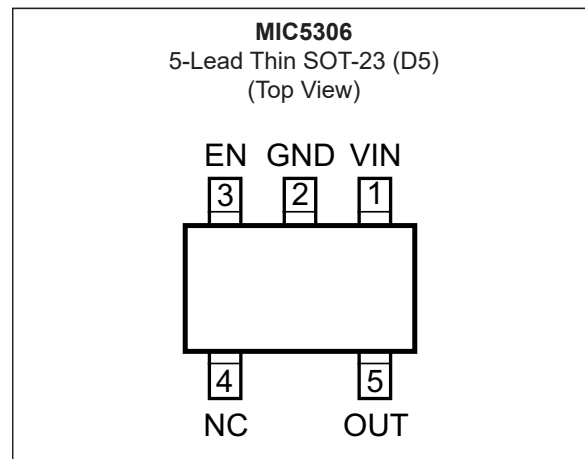
The MIC5306 is a micropower,  $\mu$ Cap low dropout regulator designed for optimal performance in a small space. It is capable of sourcing 150 mA of output current and only draws 16  $\mu$ A of operating current. This high performance LDO offers fast transient response and good PSRR while consuming a minimum of current.

Ideal for battery operated applications; the MIC5306 offers 1% accuracy, extremely low dropout voltage (45 mV @ 100 mA). Equipped with a TTL logic compatible enable pin, the MIC5306 can be put into a zero-off-mode current state, drawing no current when disabled.

The MIC5306 is a  $\mu$ Cap design, operating with very small ceramic output capacitors for stability, reducing required board space and component cost.

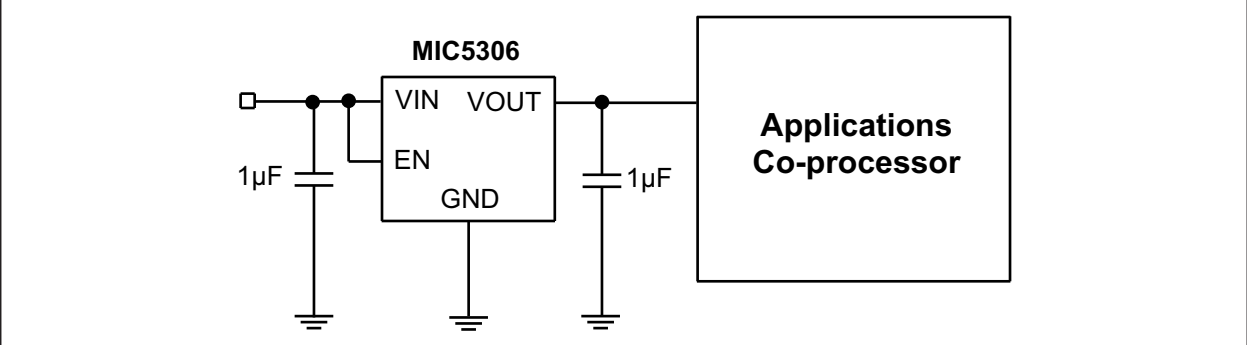
The MIC5306 is available in fixed output voltages in Thin SOT23-5 packaging.

### Package Type

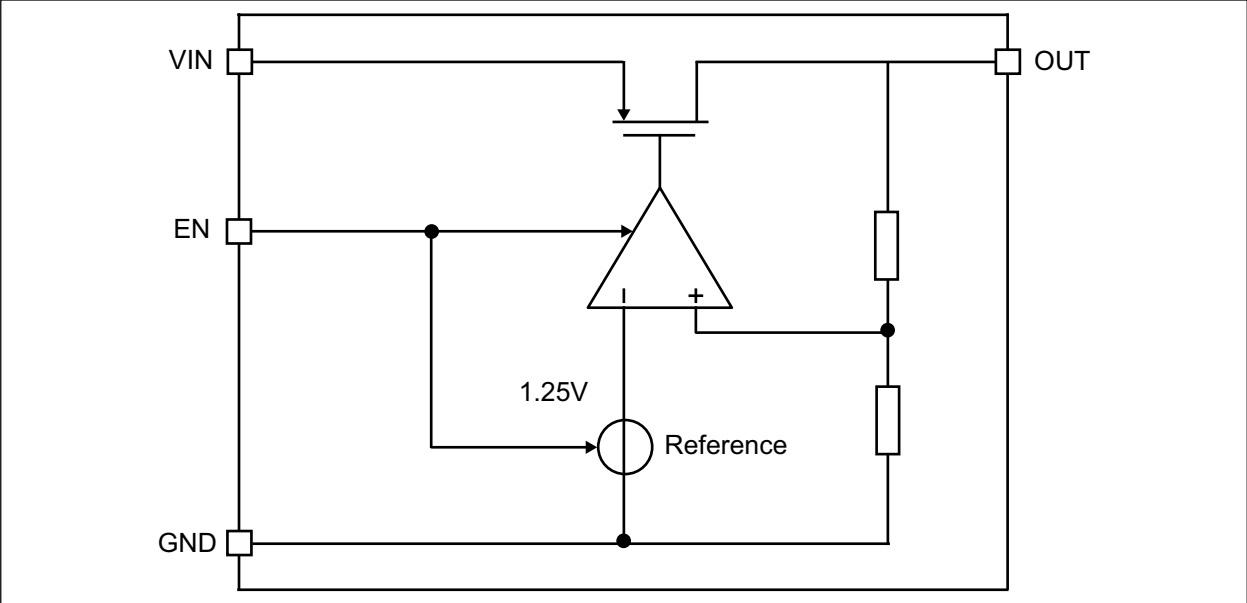


# MIC5306

## Typical Application Circuit



## Functional Block Diagram



## 1.0 ELECTRICAL CHARACTERISTICS

### Absolute Maximum Ratings †

Supply Input Voltage ( $V_{IN}$ )	0V to +6V
Enable Input Voltage ( $V_{EN}$ )	0V to +6V
Power Dissipation ( $P_D$ )	Internally Limited (Note 1)

### Operating Ratings ††

Supply Input Voltage ( $V_{IN}$ )	+2.25V to +5.5V
Enable Input Voltage ( $V_{EN1/EN2/LOWQ}$ )	0V to $V_{IN}$

† **Notice:** Stresses above those listed under “Absolute Maximum Ratings” may cause permanent damage to the device. This is a stress rating only and functional operation of the device at those or any other conditions above those indicated in the operational sections of this specification is not intended. Exposure to maximum rating conditions for extended periods may affect device reliability.

†† **Notice:** The device is not guaranteed to function outside its operating ratings.

**Note 1:** The maximum allowable power dissipation of any  $T_A$  (ambient temperature) is  $P_{D(MAX)} = T_{J(MAX)} - T_A/\theta_{JA}$ . Exceeding the maximum allowable power dissipation will result in excessive die temperature, and the regulator will go into thermal shutdown.

## ELECTRICAL CHARACTERISTICS

**Electrical Characteristics:**  $V_{IN} = V_{OUT} + 1.0V$ ;  $C_{OUT} = 1.0 \mu F$ ,  $I_{OUT} = 100 \mu A$ ;  $T_J = +25^\circ C$ , **bold** values indicate  $-40^\circ C$  to  $+125^\circ C$ , unless noted.

Parameter	Sym.	Min.	Typ.	Max.	Units	Conditions
Output Voltage Accuracy	$V_{OUT}$	$V_R - 1\%$	—	$V_R + 1\%$	V	Variation from nominal $V_{OUT}$
		<b><math>V_R - 2\%</math></b>	—	<b><math>V_R + 2\%</math></b>		Variation from nominal $V_{OUT}$ ; $-40^\circ C$ to $+125^\circ C$
Line Regulation	$\Delta V_{OUT}/(V_{OUT} \times \Delta V_{IN})$	—	0.01	0.3	%V	$V_{IN} = V_{OUT} + 1V$ to 5.5V
		—	—	<b>0.5</b>		—
Load Regulation	$\Delta V_{OUT}/V_{OUT}$	—	0.5	1.0	%	$I_{OUT} = 100 \mu A$ to 150 mA
		—	—	<b>1.5</b>		
Dropout Voltage, Note 1	$V_{DO}$	—	25	—	mV	$I_{OUT} = 50$ mA
		—	45	—		$I_{OUT} = 100$ mA
		—	65	<b>200</b>		$I_{OUT} = 150$ mA
Ground Pin Current	$I_{GND}$	—	16	<b>30</b>	$\mu A$	$I_{OUT} = 0$ mA to 150 mA; $V_{IN} = 5.5V$
Ground Pin Current in Shutdown	$I_{SHDN}$	—	0.01	<b>1</b>	$\mu A$	$V_{EN} \leq 0.2V$ ; $V_{IN} = 5.5V$
Ripple Rejection	PSRR	—	62	—	dB	$f = 10$ Hz to 1 kHz; $C_{OUT} = 1 \mu F$ ; $I_{OUT} = 150$ mA
		—	35	—		$f = 20$ kHz; $C_{OUT} = 1 \mu F$ ; $I_{OUT} = 150$ mA
Current Limit	$I_{LIM}$	175	285	500	mA	$V_{OUT} = 0V$

**Note 1:** Dropout voltage is defined as the input-to-output differential at which the output voltage drops 2% below its nominal value measured at 1V differential. For outputs below 2.25V, dropout voltage is the input-to-output differential with the minimum input voltage 2.25V.

**2:** Turn-on time is measured from  $V_{EN} = 1V$  of the positive edge of the enable signal to 90% of the rising edge of the output voltage of the regulator.

# MIC5306

## ELECTRICAL CHARACTERISTICS (CONTINUED)

**Electrical Characteristics:**  $V_{IN} = V_{OUT} + 1.0V$ ;  $C_{OUT} = 1.0 \mu F$ ;  $I_{OUT} = 100 \mu A$ ;  $T_J = +25^\circ C$ , **bold** values indicate  $-40^\circ C$  to  $+125$ , unless noted.

Parameter	Sym.	Min.	Typ.	Max.	Units	Conditions
Thermal Shutdown	$T_{SD}$	—	150	—	$^\circ C$	—
Thermal Shutdown Hysteresis	$\Delta T_{SD}$	—	15	—	$^\circ C$	—
Output Voltage Noise	$e_N$	—	91	—	$\mu V_{RMS}$	$C_{OUT} = 1 \mu F$ ; 10 Hz to 100 kHz
<b>Enable Input</b>						
Enable Input Voltage	$V_{EN}$	—	—	<b>0.2</b>	V	Logic low
		<b>1</b>	—	—		Logic high
Enable Input Current	$I_{EN}$	—	0.01	<b>1</b>	$\mu A$	$V_{IL} \leq 0.2V$
		—	0.01	<b>1</b>		$V_{IH} \geq 1.0V$
Turn-On Time, <a href="#">Note 2</a>	$t_{ON}$	—	250	<b>500</b>	$\mu s$	$C_{OUT} = 1 \mu F$

**Note 1:** Dropout voltage is defined as the input-to-output differential at which the output voltage drops 2% below its nominal value measured at 1V differential. For outputs below 2.25V, dropout voltage is the input-to-output differential with the minimum input voltage 2.25V.

**2:** Turn-on time is measured from  $V_{EN} = 1V$  of the positive edge of the enable signal to 90% of the rising edge of the output voltage of the regulator.

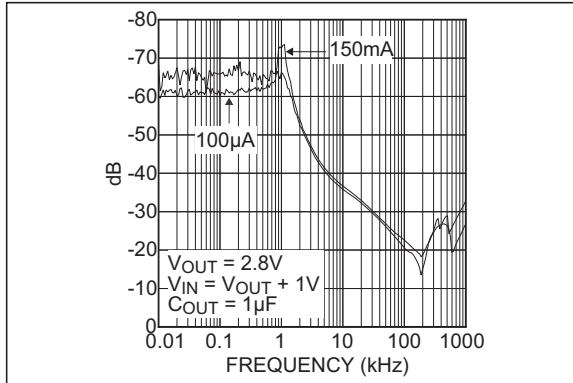
## TEMPERATURE SPECIFICATIONS

Parameters	Sym.	Min.	Typ.	Max.	Units	Conditions
<b>Temperature Ranges</b>						
Junction Temperature Range	$T_J$	-40	—	+125	$^\circ C$	—
Storage Temperature Range	$T_S$	-65	—	+150	$^\circ C$	—
Lead Temperature	—	—	+260	—	$^\circ C$	Soldering, 5 sec.
<b>Package Thermal Resistance</b>						
Thermal Resistance, TSOT-23 5-Ld	$\theta_{JA}$	—	235	—	$^\circ C/W$	—

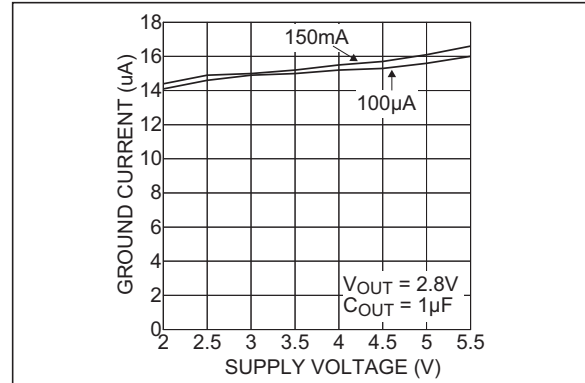
**Note 1:** The maximum allowable power dissipation is a function of ambient temperature, the maximum allowable junction temperature and the thermal resistance from junction to air (i.e.,  $T_A$ ,  $T_J$ ,  $\theta_{JA}$ ). Exceeding the maximum allowable power dissipation will cause the device operating junction temperature to exceed the maximum  $+125^\circ C$  rating. Sustained junction temperatures above  $+125^\circ C$  can impact the device reliability.

## 2.0 TYPICAL PERFORMANCE CURVES

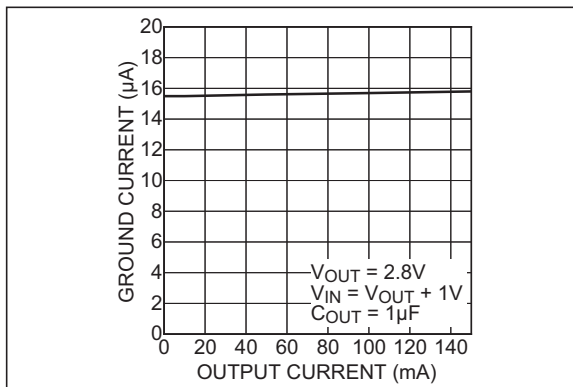
**Note:** The graphs and tables provided following this note are a statistical summary based on a limited number of samples and are provided for informational purposes only. The performance characteristics listed herein are not tested or guaranteed. In some graphs or tables, the data presented may be outside the specified operating range (e.g., outside specified power supply range) and therefore outside the warranted range.



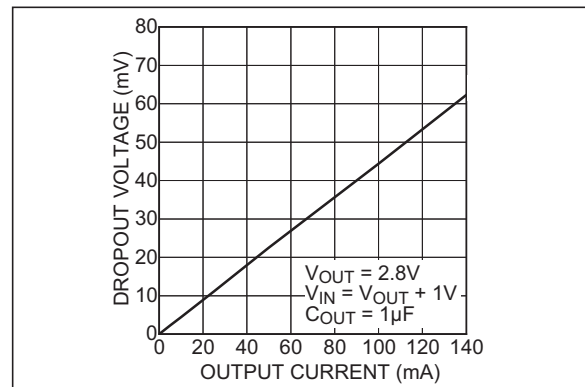
**FIGURE 2-1:** Ripple Rejection.



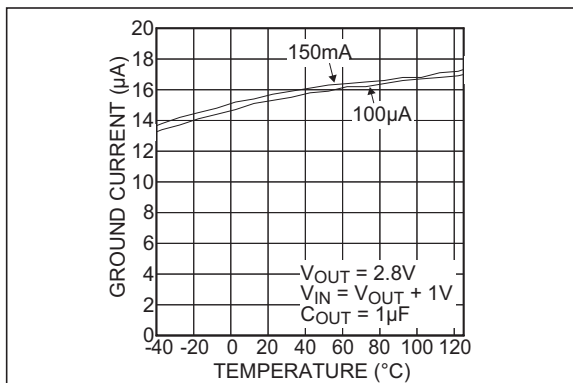
**FIGURE 2-4:** Ground Pin Current vs. Supply Voltage.



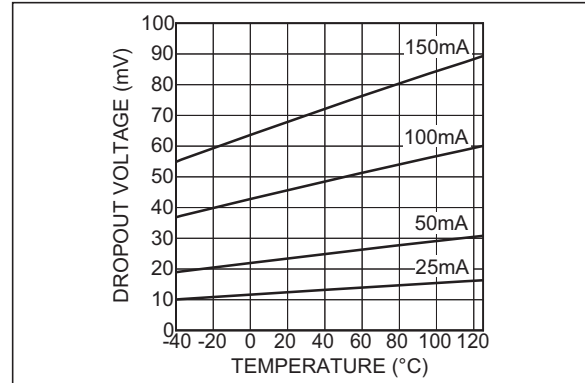
**FIGURE 2-2:** Ground Pin Current vs. Output Current.



**FIGURE 2-5:** Dropout Voltage vs. Output Current.

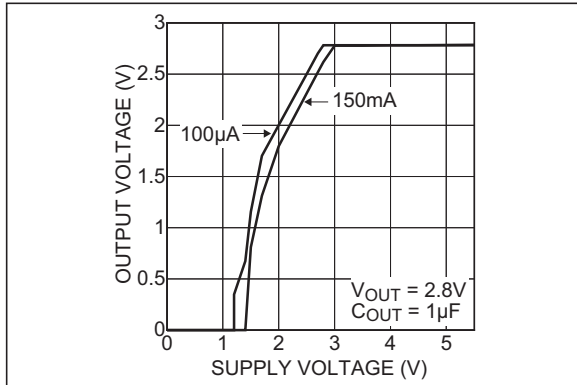


**FIGURE 2-3:** Ground Pin Current vs. Temperature.

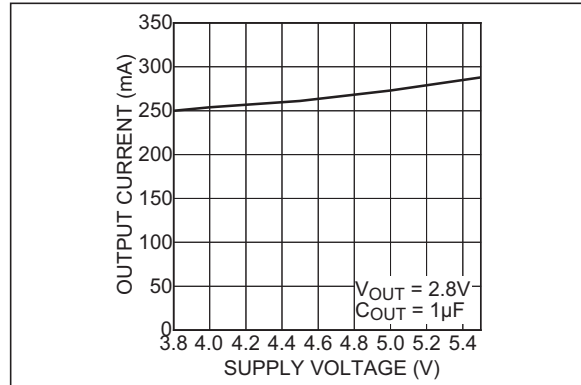


**FIGURE 2-6:** Dropout Voltage vs. Temperature.

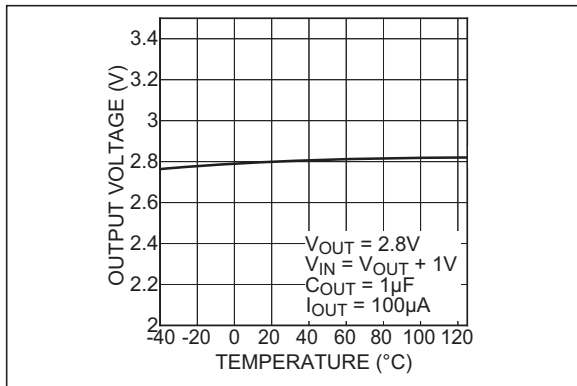
# MIC5306



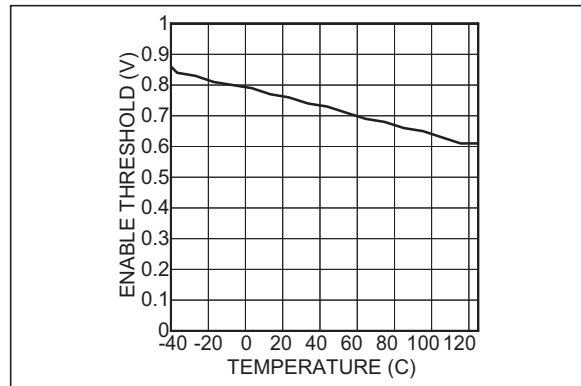
**FIGURE 2-7:** Output Voltage vs. Supply Voltage.



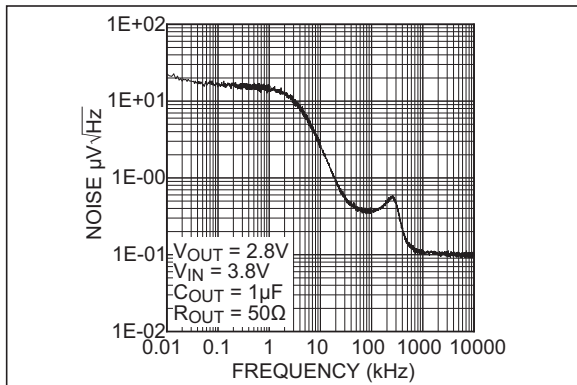
**FIGURE 2-10:** Current Limit vs. Supply Voltage.



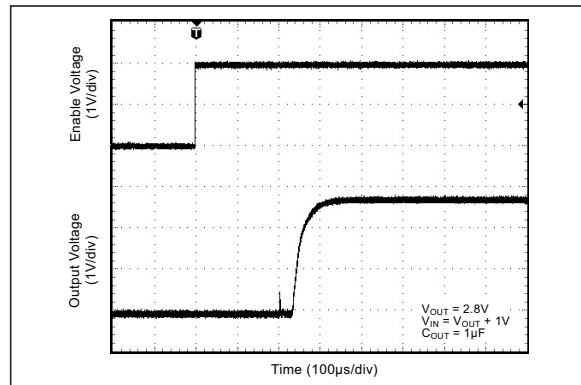
**FIGURE 2-8:** Output Voltage vs. Temperature.



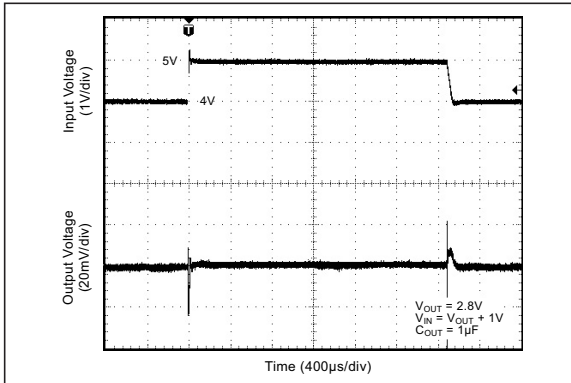
**FIGURE 2-11:** Enable Threshold vs. Temperature.



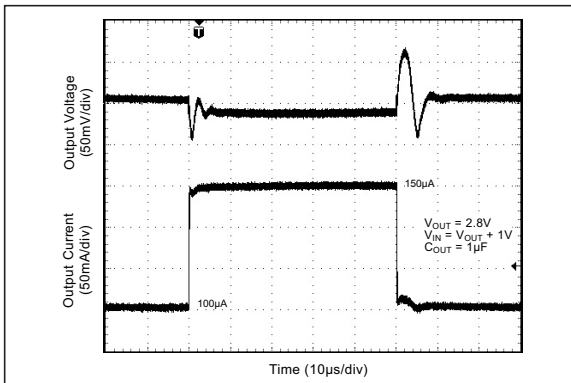
**FIGURE 2-9:** Output Noise Spectral Density.



**FIGURE 2-12:** Enable Turn-On Transient.



**FIGURE 2-13:** Line Transient Response.



**FIGURE 2-14:** Load Transient Response.

# MIC5306

---

## 3.0 PIN DESCRIPTIONS

The descriptions of the pins are listed in [Table 3-1](#).

**TABLE 3-1: PIN FUNCTION TABLE**

Pin Number	Pin Name	Description
1	VIN	Supply input.
2	GND	Ground.
3	EN	Enable Input. Active High. High = on, low = off. Do not leave floating.
4	NC	No connect.
5	OUT	Output voltage.



## 4.0 APPLICATION INFORMATION

### 4.1 Input Capacitance

A 1  $\mu\text{F}$  capacitor should be placed from VIN to GND if there are more than 10 inches of wire between the input and the AC filter capacitor or if a battery is used as the input.

### 4.2 Output Capacitance

An output capacitor is required between OUT and GND to prevent oscillation. Larger values improve the regulator's transient response. The output capacitor value may be increased without limit.

The output capacitor should have below ESR 300 m $\Omega$  and a resonant frequency above 1 MHz. Ultra-low ESR capacitors can cause a low amplitude oscillation on the output and/or underdamped transient response. Most tantalum or aluminum electrolytic capacitors are adequate; film types will work, but are more expensive. Because many aluminum electrolytics have electrolytes that freeze at about  $-30^{\circ}\text{C}$ , solid tantalums are recommended for operation below  $-25^{\circ}\text{C}$ .

### 4.3 Enable

Forcing EN (enable/shutdown) high ( $>1\text{V}$ ) enables the regulator. EN is compatible with CMOS logic gates. If the enable/shutdown feature is not required, connect EN (pin 3) to VIN (supply input, pin 1).

### 4.4 Current Limit

There is overcurrent protection circuitry built into the MIC5306. Even with the output grounded, current will be limited to approximately 285 mA. Further protection is provided by thermal shutdown.

### 4.5 Thermal Considerations

The MIC5306 is designed to provide 150 mA of continuous current in a very small package. Maximum ambient operating temperature can be calculated based on the output current and the voltage drop across the part. Given that the input voltage is 3.8V, the output voltage is 2.8V and the output current equals 150 mA.

The actual power dissipation of the regulator circuit can be determined using the equation:

#### EQUATION 4-1:

$$P_D = (V_{IN} - V_{OUT}) \times I_{OUT} + V_{IN} \times I_{GND}$$

Because this device is CMOS and the ground current is typically  $<50 \mu\text{A}$  over the load range, the power dissipation contributed by the ground current is  $< 1\%$  and can be ignored for this calculation.

#### EQUATION 4-2:

$$P_D = (3.8\text{V} - 2.8\text{V}) \times 150\text{mA} = 0.15\text{W}$$

To determine the maximum ambient operating temperature of the package, use the junction-to-ambient thermal resistance of the device and the following basic equation:

#### EQUATION 4-3:

$$P_{D(MAX)} = \frac{T_{J(MAX)} - T_A}{\theta_{JA}}$$

Where:

$T_{J(MAX)} = 125^{\circ}\text{C}$ , the maximum junction temperature of the die.

$\theta_{JA}$  = The thermal resistance,  $235^{\circ}\text{C/W}$

Table 4-1 shows junction-to-ambient thermal resistance for the MIC5306 in the TSOT23-5 package.

**TABLE 4-1: TSOT23-5 THERMAL RESISTANCE**

$\theta_{JA}$ Recommended Minimum Footprint	$\theta_{JC}$
$235^{\circ}\text{C/W}$	$2^{\circ}\text{C/W}$

Substituting  $P_D$  for  $P_{D(MAX)}$  and solving for the ambient operating temperature will give the maximum operating conditions for the regulator circuit. The junction-to-ambient thermal resistance for the minimum footprint is  $235^{\circ}\text{C/W}$ , from Table 4-1. The maximum power dissipation must not be exceeded for proper operation.

For example, when operating the MIC5306-2.8 at an input voltage of 3.8V and 150 mA load with a minimum footprint layout, the maximum ambient operating temperature  $T_A$  can be determined as follows:

#### EQUATION 4-4:

$$0.15\text{W} = (125^{\circ}\text{C} - T) / (235^{\circ}\text{C/W})$$

$$T = 89.75^{\circ}\text{C}$$

# MIC5306

---

Therefore, a 2.8V application at 150 mA of output current can accept an ambient operating temperature of 89.8°C in a TSOT23-5 package. For a full discussion of heat sinking and thermal effects on voltage regulators, refer to the “Regulator Thermals” section of Microchip’s [Designing with Low-Dropout Voltage Regulators](#) handbook.

## 5.0 PACKAGING INFORMATION

### 5.1 Package Marking Information

5-Lead TSOT23\*  
(Front)

XXXX

Example

N918

5-Lead TSOT23\*  
(Back)

NNN

Example

710

**TABLE 5-1: MARKING CODES**

Part Number	Marking Code	Output Voltage
MIC5306-1.5YD5	<u>N915</u>	1.5V
MIC5306-1.8YD5	<u>N918</u>	1.8V
MIC5306-2.5YD5	<u>N925</u>	2.5V
MIC5306-2.6YD5	<u>N926</u>	2.6V
MIC5306-2.8YD5	<u>N928</u>	2.8V
MIC5306-3.0YD5	<u>N930</u>	3.0V
MIC5306-3.1YD5	<u>N931</u>	3.1V

**Legend:** XX...X Product code or customer-specific information  
 Y Year code (last digit of calendar year)  
 YY Year code (last 2 digits of calendar year)  
 WW Week code (week of January 1 is week '01')  
 NNN Alphanumeric traceability code  
 (e3) Pb-free JEDEC® designator for Matte Tin (Sn)  
 \* This package is Pb-free. The Pb-free JEDEC designator ((e3)) can be found on the outer packaging for this package.  
 •, ▲, ▼ Pin one index is identified by a dot, delta up, or delta down (triangle mark).

**Note:** In the event the full Microchip part number cannot be marked on one line, it will be carried over to the next line, thus limiting the number of available characters for customer-specific information. Package may or may not include the corporate logo.

Underbar ( \_ ) and/or Overbar ( ¯ ) symbol may not be to scale.

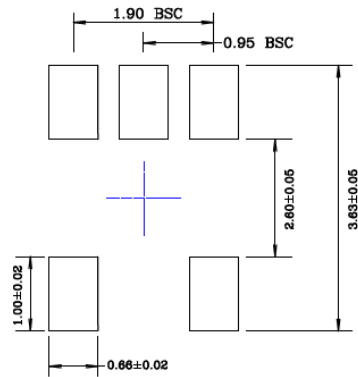
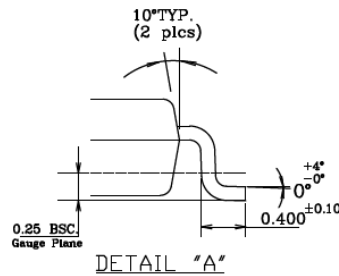
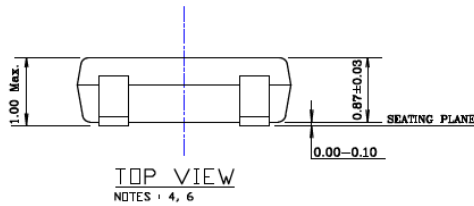
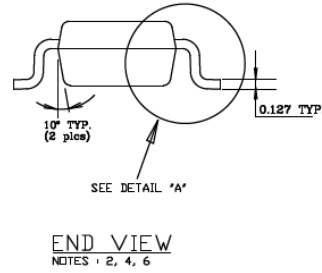
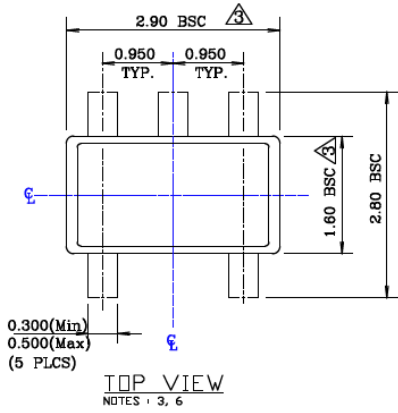
# MIC5306

## 5-Lead TSOT-23 Package Outline and Recommended Land Pattern

**TITLE**

5 LEAD TSOT PACKAGE OUTLINE & RECOMMENDED LAND PATTERN

<b>DRAWING #</b>	TSOT-5LD-PL-1	<b>UNIT</b>	MM
------------------	---------------	-------------	----



**NOTE:**

1. Dimensions and tolerances are as per ANSI Y14.5M, 1994.
2. Die is facing up for mold. Die is facing down for trim/form, ie. reverse trim/form.
3. Dimensions are exclusive of mold flash and gate burr.
4. The footlength measuring is based on the gauge plane method.
5. All specification comply to Jedec Spec M0193 Issue C.
6. All dimensions are in millimeters.

Note: For the most current package drawings, please see the Microchip Packaging Specification located at <http://www.microchip.com/packaging>.

## APPENDIX A: REVISION HISTORY

### Revision A (February 2020)

- Converted Micrel document MIC5306 to Microchip data sheet template DS20006304A.
- Minor grammatical text changes throughout.

# MIC5306

---

NOTES:

## PRODUCT IDENTIFICATION SYSTEM

To order or obtain information, e.g., on pricing or delivery, contact your local Microchip representative or sales office.

<u>Device</u>	<u>-X.X</u>	<u>X</u>	<u>XX</u>	<u>-XX</u>
Part No.	Output Voltage	Junction Temp. Range	Package	Media Type
<b>Device:</b>	MIC5306:	150 mA Micropower $\mu$ Cap Baseband LDO		
<b>Output Voltage:</b>	1.5 =	1.5V		
	1.8 =	1.8V (TR or TX Media Type option available)		
	2.5 =	2.5V (TR or TX Media Type option available)		
	2.6 =	2.6V		
	2.8 =	2.8V		
	3.0 =	3.0V (TR or TX Media Type option available)		
	3.1 =	3.1V		
<b>Junction Temperature Range:</b>	Y =	-40°C to +125°C, RoHS-Compliant		
<b>Package:</b>	D5 =	5-Lead TSOT23		
<b>Media Type:</b>	TR =	3,000/Reel		
	TX =	3,000/Reel (Reverse Tape & Reel)		
<b>Examples:</b>				
a) MIC5306-1.5YD5-TR: MIC5306, 1.5V Output Voltage, -40°C to +125°C Temperature Range, 5-Lead TSOT23, 3,000/Reel				
b) MIC5306-1.8YD5-TX: MIC5306, 1.8V Output Voltage, -40°C to +125°C Temperature Range, 5-Lead TSOT23, 3,000/Reel (Reverse TR)				
c) MIC5306-2.5YD5-TR: MIC5306, 2.5V Output Voltage, -40°C to +125°C Temperature Range, 5-Lead TSOT23, 3,000/Reel				
d) MIC5306-2.8YD5-TR: MIC5306, 2.8V Output Voltage, -40°C to +125°C Temperature Range, 5-Lead TSOT23, 3,000/Reel				
e) MIC5306-3.0YD5-TR: MIC5306, 3.0V Output Voltage, -40°C to +125°C Temperature Range, 5-Lead TSOT23, 3,000/Reel				
f) MIC5306-3.1YD5-TR: MIC5306, 3.1V Output Voltage, -40°C to +125°C Temperature Range, 5-Lead TSOT23, 3,000/Reel				
<b>Note 1:</b> Tape and Reel identifier only appears in the catalog part number description. This identifier is used for ordering purposes and is not printed on the device package. Check with your Microchip Sales Office for package availability with the Tape and Reel option.				

# MIC5306

---

NOTES:



---

---

**Note the following details of the code protection feature on Microchip devices:**

- Microchip products meet the specification contained in their particular Microchip Data Sheet.
- Microchip believes that its family of products is one of the most secure families of its kind on the market today, when used in the intended manner and under normal conditions.
- There are dishonest and possibly illegal methods used to breach the code protection feature. All of these methods, to our knowledge, require using the Microchip products in a manner outside the operating specifications contained in Microchip's Data Sheets. Most likely, the person doing so is engaged in theft of intellectual property.
- Microchip is willing to work with the customer who is concerned about the integrity of their code.
- Neither Microchip nor any other semiconductor manufacturer can guarantee the security of their code. Code protection does not mean that we are guaranteeing the product as “unbreakable.”

Code protection is constantly evolving. We at Microchip are committed to continuously improving the code protection features of our products. Attempts to break Microchip's code protection feature may be a violation of the Digital Millennium Copyright Act. If such acts allow unauthorized access to your software or other copyrighted work, you may have a right to sue for relief under that Act.

---

Information contained in this publication regarding device applications and the like is provided only for your convenience and may be superseded by updates. It is your responsibility to ensure that your application meets with your specifications. MICROCHIP MAKES NO REPRESENTATIONS OR WARRANTIES OF ANY KIND WHETHER EXPRESS OR IMPLIED, WRITTEN OR ORAL, STATUTORY OR OTHERWISE, RELATED TO THE INFORMATION, INCLUDING BUT NOT LIMITED TO ITS CONDITION, QUALITY, PERFORMANCE, MERCHANTABILITY OR FITNESS FOR PURPOSE. Microchip disclaims all liability arising from this information and its use. Use of Microchip devices in life support and/or safety applications is entirely at the buyer's risk, and the buyer agrees to defend, indemnify and hold harmless Microchip from any and all damages, claims, suits, or expenses resulting from such use. No licenses are conveyed, implicitly or otherwise, under any Microchip intellectual property rights unless otherwise stated.

### Trademarks

The Microchip name and logo, the Microchip logo, Adaptec, AnyRate, AVR, AVR logo, AVR Freaks, BesTime, BitCloud, chipKIT, chipKIT logo, CryptoMemory, CryptoRF, dsPIC, FlashFlex, flexPWR, HELDO, IGLOO, JukeBlox, KeeLoq, Klear, LANCheck, LinkMD, maXStylus, maXTouch, MediaLB, megaAVR, Microsemi, Microsemi logo, MOST, MOST logo, MPLAB, OptoLyzer, PackeTime, PIC, picoPower, PICSTART, PIC32 logo, PolarFire, Prochip Designer, QTouch, SAM-BA, SenGenuity, SpyNIC, SST, SST Logo, SuperFlash, Symmetricom, SyncServer, Tachyon, TempTrackr, TimeSource, tinyAVR, UNI/O, Vectron, and XMEGA are registered trademarks of Microchip Technology Incorporated in the U.S.A. and other countries.

APT, ClockWorks, The Embedded Control Solutions Company, EtherSynch, FlashTec, Hyper Speed Control, HyperLight Load, IntelliMOS, Libero, motorBench, mTouch, Powermite 3, Precision Edge, ProASIC, ProASIC Plus, ProASIC Plus logo, Quiet-Wire, SmartFusion, SyncWorld, Temux, TimeCesium, TimeHub, TimePictra, TimeProvider, Vite, WinPath, and ZL are registered trademarks of Microchip Technology Incorporated in the U.S.A.

Adjacent Key Suppression, AKS, Analog-for-the-Digital Age, Any Capacitor, AnyIn, AnyOut, BlueSky, BodyCom, CodeGuard, CryptoAuthentication, CryptoAutomotive, CryptoCompanion, CryptoController, dsPICDEM, dsPICDEM.net, Dynamic Average Matching, DAM, ECAN, EtherGREEN, In-Circuit Serial Programming, ICSP, INICnet, Inter-Chip Connectivity, JitterBlocker, KlearNet, KlearNet logo, memBrain, Mindi, MiWi, MPASM, MPF, MPLAB Certified logo, MPLIB, MPLINK, MultiTRAK, NetDetach, Omniscient Code Generation, PICDEM, PICDEM.net, PICKit, PICtail, PowerSmart, PureSilicon, QMatrix, REAL ICE, Ripple Blocker, SAM-ICE, Serial Quad I/O, SMART-I.S., SQI, SuperSwitcher, SuperSwitcher II, Total Endurance, TSHARC, USBCheck, VariSense, ViewSpan, WiperLock, Wireless DNA, and ZENA are trademarks of Microchip Technology Incorporated in the U.S.A. and other countries.

SQTP is a service mark of Microchip Technology Incorporated in the U.S.A.

The Adaptec logo, Frequency on Demand, Silicon Storage Technology, and Symmcom are registered trademarks of Microchip Technology Inc. in other countries.

GestIC is a registered trademark of Microchip Technology Germany II GmbH & Co. KG, a subsidiary of Microchip Technology Inc., in other countries.

All other trademarks mentioned herein are property of their respective companies.

© 2020, Microchip Technology Incorporated, All Rights Reserved.

ISBN: 978-1-5224-5640-7

For information regarding Microchip's Quality Management Systems, please visit [www.microchip.com/quality](http://www.microchip.com/quality).



# MICROCHIP

## Worldwide Sales and Service

### AMERICAS

**Corporate Office**  
2355 West Chandler Blvd.  
Chandler, AZ 85224-6199  
Tel: 480-792-7200  
Fax: 480-792-7277  
Technical Support:  
<http://www.microchip.com/support>  
Web Address:  
[www.microchip.com](http://www.microchip.com)

**Atlanta**  
Duluth, GA  
Tel: 678-957-9614  
Fax: 678-957-1455

**Austin, TX**  
Tel: 512-257-3370

**Boston**  
Westborough, MA  
Tel: 774-760-0087  
Fax: 774-760-0088

**Chicago**  
Itasca, IL  
Tel: 630-285-0071  
Fax: 630-285-0075

**Dallas**  
Addison, TX  
Tel: 972-818-7423  
Fax: 972-818-2924

**Detroit**  
Novi, MI  
Tel: 248-848-4000

**Houston, TX**  
Tel: 281-894-5983

**Indianapolis**  
Noblesville, IN  
Tel: 317-773-8323  
Fax: 317-773-5453  
Tel: 317-536-2380

**Los Angeles**  
Mission Viejo, CA  
Tel: 949-462-9523  
Fax: 949-462-9608  
Tel: 951-273-7800

**Raleigh, NC**  
Tel: 919-844-7510

**New York, NY**  
Tel: 631-435-6000

**San Jose, CA**  
Tel: 408-735-9110  
Tel: 408-436-4270

**Canada - Toronto**  
Tel: 905-695-1980  
Fax: 905-695-2078

### ASIA/PACIFIC

**Australia - Sydney**  
Tel: 61-2-9868-6733

**China - Beijing**  
Tel: 86-10-8569-7000

**China - Chengdu**  
Tel: 86-28-8665-5511

**China - Chongqing**  
Tel: 86-23-8980-9588

**China - Dongguan**  
Tel: 86-769-8702-9880

**China - Guangzhou**  
Tel: 86-20-8755-8029

**China - Hangzhou**  
Tel: 86-571-8792-8115

**China - Hong Kong SAR**  
Tel: 852-2943-5100

**China - Nanjing**  
Tel: 86-25-8473-2460

**China - Qingdao**  
Tel: 86-532-8502-7355

**China - Shanghai**  
Tel: 86-21-3326-8000

**China - Shenyang**  
Tel: 86-24-2334-2829

**China - Shenzhen**  
Tel: 86-755-8864-2200

**China - Suzhou**  
Tel: 86-186-6233-1526

**China - Wuhan**  
Tel: 86-27-5980-5300

**China - Xian**  
Tel: 86-29-8833-7252

**China - Xiamen**  
Tel: 86-592-2388138

**China - Zhuhai**  
Tel: 86-756-3210040

### ASIA/PACIFIC

**India - Bangalore**  
Tel: 91-80-3090-4444

**India - New Delhi**  
Tel: 91-11-4160-8631

**India - Pune**  
Tel: 91-20-4121-0141

**Japan - Osaka**  
Tel: 81-6-6152-7160

**Japan - Tokyo**  
Tel: 81-3-6880-3770

**Korea - Daegu**  
Tel: 82-53-744-4301

**Korea - Seoul**  
Tel: 82-2-554-7200

**Malaysia - Kuala Lumpur**  
Tel: 60-3-7651-7906

**Malaysia - Penang**  
Tel: 60-4-227-8870

**Philippines - Manila**  
Tel: 63-2-634-9065

**Singapore**  
Tel: 65-6334-8870

**Taiwan - Hsin Chu**  
Tel: 886-3-577-8366

**Taiwan - Kaohsiung**  
Tel: 886-7-213-7830

**Taiwan - Taipei**  
Tel: 886-2-2508-8600

**Thailand - Bangkok**  
Tel: 66-2-694-1351

**Vietnam - Ho Chi Minh**  
Tel: 84-28-5448-2100

### EUROPE

**Austria - Wels**  
Tel: 43-7242-2244-39  
Fax: 43-7242-2244-393

**Denmark - Copenhagen**  
Tel: 45-4450-2828  
Fax: 45-4485-2829

**Finland - Espoo**  
Tel: 358-9-4520-820

**France - Paris**  
Tel: 33-1-69-53-63-20  
Fax: 33-1-69-30-90-79

**Germany - Garching**  
Tel: 49-8931-9700

**Germany - Haan**  
Tel: 49-2129-3766400

**Germany - Heilbronn**  
Tel: 49-7131-72400

**Germany - Karlsruhe**  
Tel: 49-721-625370

**Germany - Munich**  
Tel: 49-89-627-144-0  
Fax: 49-89-627-144-44

**Germany - Rosenheim**  
Tel: 49-8031-354-560

**Israel - Ra'anana**  
Tel: 972-9-744-7705

**Italy - Milan**  
Tel: 39-0331-742611  
Fax: 39-0331-466781

**Italy - Padova**  
Tel: 39-049-7625286

**Netherlands - Drunen**  
Tel: 31-416-690399  
Fax: 31-416-690340

**Norway - Trondheim**  
Tel: 47-7288-4388

**Poland - Warsaw**  
Tel: 48-22-3325737

**Romania - Bucharest**  
Tel: 40-21-407-87-50

**Spain - Madrid**  
Tel: 34-91-708-08-90  
Fax: 34-91-708-08-91

**Sweden - Gothenberg**  
Tel: 46-31-704-60-40

**Sweden - Stockholm**  
Tel: 46-8-5090-4654

**UK - Wokingham**  
Tel: 44-118-921-5800  
Fax: 44-118-921-5820