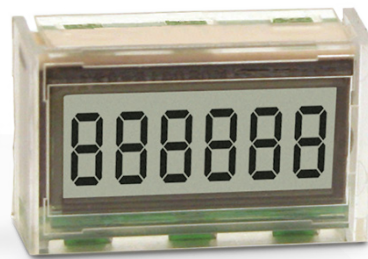


7000 Series

6 digit LCD electronic totalizing counters and hour meter



With Bezel



Without Bezel

The 7000 series is a range of miniature, 6-digit LCD, PCB-mount totalizing counters and hour meters. They are designed for minimal power requirement and are suitable for either direct PCB mounting, or panel mounting with the bezel supplied.

The 7000/7000AS can be configured to count electro-mechanical contact closure events using an external resistor and capacitor to eliminate contact bounce. Similarly the supply voltage can be increased using an external resistor and 3V zener diode.

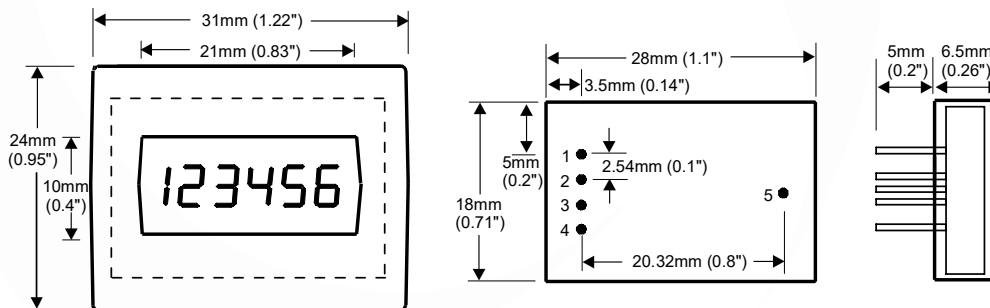
Key Features

- Uses the latest CMOS circuitry to achieve quiescent current consumption of less than 5 μ A
- 6mm black character high contrast LCD display
- Counts pulses up to 10kHz frequency
- External reset input
- CE, UL and cUL approved
- Bi-directional counting (7000AS model)
- Hour Meter (7000XX model)

Specification

Supply Voltage	2.6 – 3.4VDC
Current Consumption	5uA quiescent, 10µA at 10kHz
Display	6 digit black LCD, 6mm characters with leading zero blanking
Count Range	999999 display rollover to 0
Count Input	10kHz maximum, negative edge triggered, 0.7V threshold, 50µS minimum pulse length, TTL/CMOS Compatible
Reset Input	Negative edge triggered, 0.7V threshold, 15mS minimum pulse length, TTL/CMOS Compatible
Direction Input	Add=logic 1, Subtract=logic 0 (0V)
Operating Temp	-10°C to +60°C
Storage Temp	-10°C to +60°C
Material	Clear polycarbonate
Environmental Protection	IP40/DIN40050
Weight	7.5g

Dimensions



Part Numbers

7000	6 Digit LCD Totalizing Counter
7000AS	6 Digit LCD Totalizing Counter, Bi-directional, Add/Subtract version of above
7000XXX	6 Digit LCD Hour Meter

