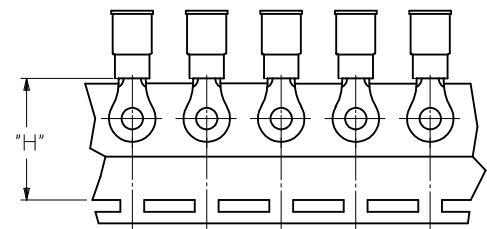
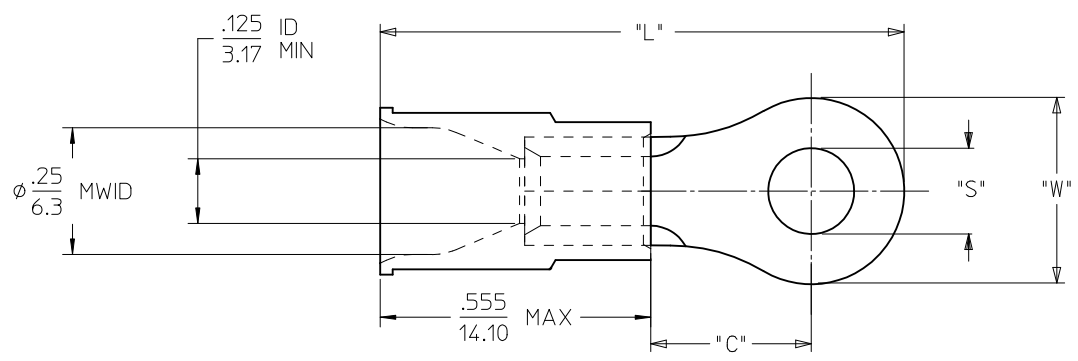


10		9		8		7		6		5		4		3		2		1	
LOOSE PIECE				TAPE MOUNTED				STUD SIZE	"S" ±.005/ 0.13	"W" ±.010/ 0.25	"C" MIN	"L" MAX	"H" ±.020/0.51						
MATERIAL NO.	ENGINEERING P/N	MATERIAL NO.	ENGINEERING P/N																
190700143	C-236-06X	190700144	C-236-06XT	6	.146/ 3.70	.282/ 7.16	.306/ 7.77	1.04/ 26.3	.98/ 24.9										
190700145	C-236-08X	190700146	C-236-08XT	8	.173/ 4.39	.282/ 7.16	.306/ 7.77	1.04/ 26.3	.98/ 24.9										
190700117	C-228-04X	-	-	4	.119/ 3.02	.375/ 9.53	.303/ 7.70	1.08/ 27.4	-										
190700119	C-228-06X	190700120	C-228-06XT	6	.146/ 3.70	.375/ 9.53	.303/ 7.70	1.08/ 27.4	.98/ 24.9										
190700121	C-228-08X	190700122	C-228-08XT	8	.173/ 4.39	.375/ 9.53	.303/ 7.70	1.08/ 27.4	.98/ 24.9										
190700123	C-228-10X	190700125	C-228-10XT	10	.198/ 5.02	.375/ 9.53	.303/ 7.70	1.08/ 27.4	.98/ 24.9										
190700128	C-228-209X	-	-	5mm	.209/ 5.30	.375/ 9.53	.303/ 7.70	1.08/ 27.4	-										
190700130	C-230-10X	190700131	C-230-10XT	10	.198/ 5.02	.530/ 13.46	.393/ 9.98	1.25/ 31.6	.98/ 24.9										
190700132	C-230-14X	190700133	C-230-14XT	1/4"	.265/ 6.73	.530/ 13.46	.393/ 9.98	1.25/ 31.6	.98/ 24.9										
190700136	C-230-56X	190700137	C-230-56XT	5/16"	.328/ 8.33	.530/ 13.46	.393/ 9.98	1.25/ 31.6	.98/ 24.9										
190700148	C-240-10X	190700149	C-240-10XT	10	.198/ 5.02	.592/ 15.04	.466/ 11.84	1.35/ 34.3	1.17/ 29.8										
190700150	C-240-14X	190700151	C-240-14XT	1/4"	.265/ 6.73	.592/ 15.04	.466/ 11.84	1.35/ 34.3	1.17/ 29.8										
190700155	C-240-56X	190700156	C-240-56XT	5/16"	.328/ 8.33	.592/ 15.04	.466/ 11.84	1.35/ 34.3	1.17/ 29.8										
190700153	C-240-38X	190700154	C-240-38XT	3/8"	.390/ 9.90	.592/ 15.04	.466/ 11.84	1.35/ 34.3	1.17/ 29.8										
190700111	C-201-14X	-	-	1/4"	.265/ 6.73	.750/ 19.05	.611/ 15.52	1.58/ 40.0	-										
190700115	C-201-76X	190700116	C-201-76XT	7/16"	.453/ 11.50	.750/ 19.05	.611/ 15.52	1.58/ 40.0	1.30/ 33.0										
190700109	C-201-12X	190700110	C-201-12XT	1/2"	.515/ 13.08	.750/ 19.05	.611/ 15.52	1.58/ 40.0	1.30/ 33.0										



PARTS ON TAPE
(NOTE: C-240 AND C-201 PARTS ARE DOUBLE-SPACED)

- NOTES:
 1. MATERIALS:
 TERMINAL: TIN-PLATED COPPER
 INSULATION: PVC INSULATION, YELLOW
 2. MWIDTH = MAXIMUM WIRE INSULATION DIAMETER
 3. PARTS ARE ROHS COMPLIANT.

REDRAW EC NO: WNA2011-0252 DRAWN: ETHRODAHL 2011/01/24 CHKD: JMACNEIL 2011/01/24 APPR: JMACNEIL 2011/02/21 REV A	QUALITY SYMBOLS ▽=0 ▽=0	GENERAL TOLERANCES (UNLESS SPECIFIED) mm INCH 4 PLACES ± --- ± --- 3 PLACES ± --- ± .005 2 PLACES ± 0.13 ± .010 1 PLACE ± 0.25 ± .020 ANGULAR ± 1/2°	DIMENSION STYLE IN/MM DRAWN BY DATE ETHRODAHL 2011/01/24 CHECKED BY DATE JMACNEIL 2011/01/24 APPROVED BY DATE JMACNEIL 2011/02/21 MATERIAL NO.	SCALE --- DESIGN UNITS INCH THIRD ANGLE PROJECTION	TITLE RING TONGUE TERMINAL INSULKRIMP 12-10 AWG	MOLEX INCORPORATED	DOCUMENT NO. SD-19070-007	SHEET NO. 1 OF 1	
	DRAFT WHERE APPLICABLE MUST REMAIN WITHIN DIMENSIONS		SEE CHART	THIS DRAWING CONTAINS INFORMATION THAT IS PROPRIETARY TO MOLEX INCORPORATED AND SHOULD NOT BE USED WITHOUT WRITTEN PERMISSION					
	THIS DRAWING CONTAINS INFORMATION THAT IS PROPRIETARY TO MOLEX INCORPORATED AND SHOULD NOT BE USED WITHOUT WRITTEN PERMISSION								
	THIS DRAWING CONTAINS INFORMATION THAT IS PROPRIETARY TO MOLEX INCORPORATED AND SHOULD NOT BE USED WITHOUT WRITTEN PERMISSION								