

## ATmega4808/4809 Data Sheet

### Introduction

The ATmega4808/4809 microcontrollers are part of the megaAVR® 0-series, which uses the AVR® processor with hardware multiplier running at up to 20 MHz, and offers a wide range of Flash sizes up to 48 KB, up to 6 KB of SRAM, and 256 bytes of EEPROM in 28-, 32-, 40-, or 48-pin packages. The series uses the latest technologies from Microchip with a flexible and low-power architecture, including Event System and SleepWalking, accurate analog features, and advanced peripherals.

The devices described in this data sheet offer 48 KB in a 28/32/40/48-pin package.



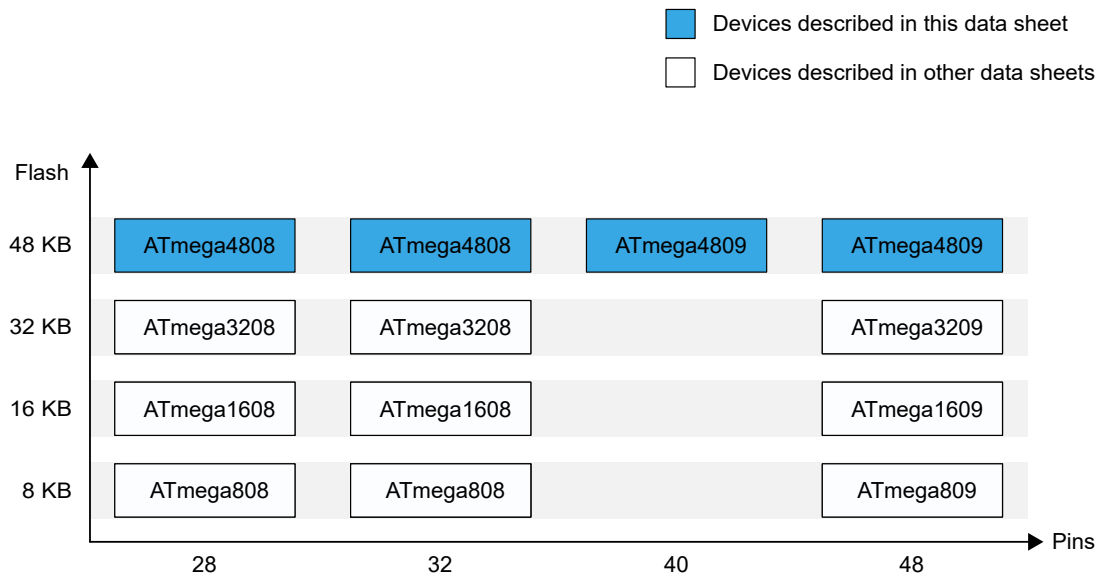
**Important:** The 40-pin version of the ATmega4809 is using the die of the 48-pin ATmega4809 but offers fewer connected pads. For this reason, the pins PB[5:0] and PC[7:6] must be disabled (INPUT\_DISABLE) or enable pull-ups (PULLUPEN).

### megaAVR® 0-series Overview

The figure below shows the megaAVR® 0-series devices, laying out pin count variants and memory sizes:

- Vertical migration is possible without code modification, as these devices are fully pin and feature compatible
- Horizontal migration to the left reduces the pin count and, therefore, the available features

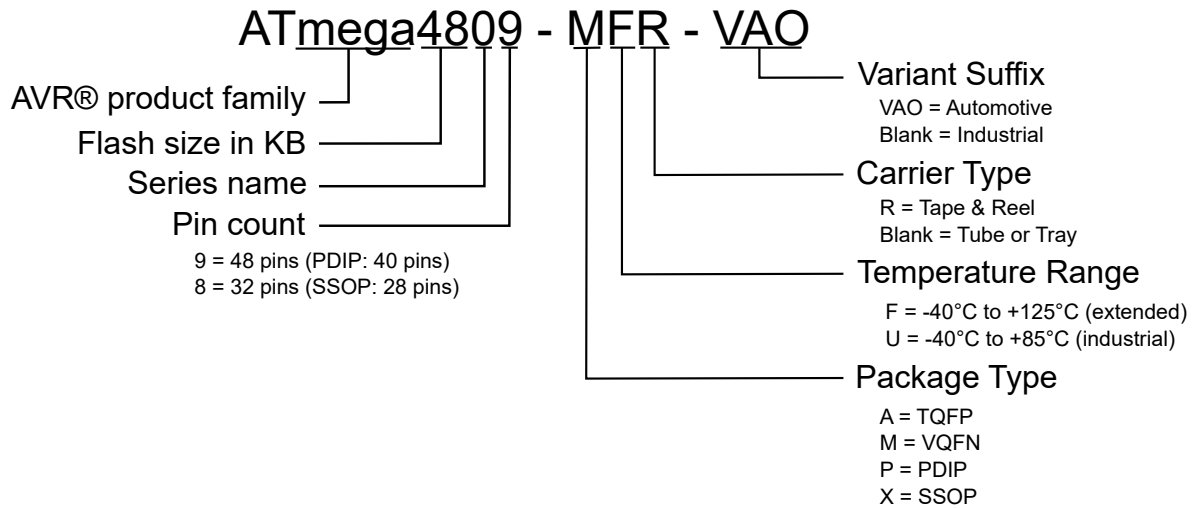
**Figure 1. megaAVR® 0-series Overview**



Devices with different Flash memory sizes typically also have different SRAM and EEPROM.

The name of a device in the megaAVR 0-series is decoded as follows:

Figure 2. megaAVR® Device Designations



## Memory Overview

Table 1. Memory Overview

| Memory Type | ATmega808,<br>ATmega809 | ATmega1608,<br>ATmega1609 | ATmega3208,<br>ATmega3209 | ATmega4808,<br>ATmega4809 |
|-------------|-------------------------|---------------------------|---------------------------|---------------------------|
| Flash       | 8 KB                    | 16 KB                     | 32 KB                     | 48 KB                     |
| SRAM        | 1 KB                    | 2 KB                      | 4 KB                      | 6 KB                      |
| EEPROM      | 256B                    | 256B                      | 256B                      | 256B                      |
| User row    | 32B                     | 32B                       | 64B                       | 64B                       |

## Peripheral Overview

Table 2. Peripheral Overview

| Feature                           | ATmega808<br>ATmega1608<br>ATmega3208<br>ATmega4808 | ATmega808<br>ATmega1608<br>ATmega3208<br>ATmega4808 | ATmega4809 | ATmega809<br>ATmega1609<br>ATmega3209<br>ATmega4809 |
|-----------------------------------|---|---|------------|---|
| <b>Pins</b>                       | 28  | 32  | 40         | 48  |
| Max. frequency (MHz)              | 20  | 20  | 20         | 20  |
| 16-bit Timer/Counter type A (TCA) | 1   | 1   | 1          | 1   |
| 16-bit Timer/Counter type B (TCB) | 3   | 3   | 4          | 4   |
| 12-bit Timer/Counter type D (TCD) | -   | -   | -          | -   |
| Real-Time Counter (RTC)           | 1   | 1   | 1          | 1   |

.....continued

| Feature   | ATmega808<br>ATmega1608<br>ATmega3208<br>ATmega4808 | ATmega808<br>ATmega1608<br>ATmega3208<br>ATmega4808 | ATmega4809                                  | ATmega809<br>ATmega1609<br>ATmega3209<br>ATmega4809  |
|---|---|---|---|--|
| <b>Pins</b>   | <b>28</b>   | <b>32</b>   | <b>40</b>                                   | <b>48</b>  |
| USART   | 3   | 3   | 4   | 4  |
| SPI   | 1   | 1   | 1   | 1  |
| TWI (I <sup>2</sup> C)  | 1 <sup>(1)</sup>                                    | 1 <sup>(1)</sup>                                    | 1 <sup>(1)</sup>                            | 1 <sup>(1)</sup>                                     |
| ADC (channels)  | 1 (8)   | 1 (12)  | 1 (16)                                      | 1 (16)   |
| DAC (outputs)   | -   | -   | -   | -  |
| AC (inputs)   | 1 (4p/3n)   | 1 (4p/3n)   | 1 (4p/3n)                                   | 1 (4p/3n)  |
| Peripheral Touch Controller (PTC) (self-cap/mutual cap channels)      | -   | -   | -   | -  |
| Custom Logic (LUTs)   | 1 (4)   | 1 (4)   | 1 (4)                                       | 1 (4)  |
| Window Watchdog   | 1   | 1   | 1   | 1  |
| Event System channels   | 6   | 6   | 8   | 8  |
| General purpose I/O   | 23  | 27  | 33  | 41   |
| PORT  | PA[0:7], PC[0:3], PD[0:7], PF[0,1,6]                | PA[0:7], PC[0:3], PD[0:7], PF[0:6]                  | PA[0:7], PC[0:5], PD[0:7], PE[0:3], PF[0:6] | PA[0:7], PB[0:5], PC[0:7], PD[0:7], PE[0:3], PF[0:6] |
| Asynchronous external interrupts                                      | 6   | 7   | 8   | 10   |
| CRCSCAN   | 1   | 1   | 1   | 1  |
| Unified Program and Debug Interface (UPDI) activated by dedicated pin | 1   | 1   | 1   | 1  |

1. TWI can operate as host and client at the same time on different pins.

---

## Features

---

- AVR® CPU:
  - Single-cycle I/O access
  - Two-level interrupt controller
  - Two-cycle hardware multiplier
- Memories:
  - 48 KB In-system self-programmable Flash memory
  - 256B EEPROM
  - 6 KB SRAM
  - Write/Erase endurance:
    - Flash 10,000 cycles
    - EEPROM 100,000 cycles
  - Data retention: 40 years at 55°C
- System:
  - Power-on Reset (POR) circuit
  - Brown-out Detector (BOD)
  - Clock options:
    - 16/20 MHz low-power internal oscillator
    - 32.768 kHz Ultra Low-Power (ULP) internal oscillator
    - 32.768 kHz external crystal oscillator
    - External clock input
  - Single-pin Unified Program Debug Interface (UPDI)
  - Three sleep modes:
    - Idle with all peripherals running for immediate wake-up
    - Standby
      - Configurable operation of selected peripherals
      - SleepWalking peripherals
    - Power-Down with limited wake-up functionality
- Peripherals:
  - One 16-bit Timer/Counter type A (TCA) with a dedicated period register and three compare channels
  - Up to four 16-bit Timer/Counters type B (TCB) with input capture
  - One 16-bit Real-Time Counter (RTC) running from an external crystal or an internal RC oscillator
  - Up to four USARTs with fractional baud rate generator, auto-baud, and start-of-frame detection
  - Host/client Serial Peripheral Interface (SPI)
  - Host/client TWI with dual address match
    - Can operate simultaneously as host and client
    - Standard mode (Sm, 100 kHz)
    - Fast mode (Fm, 400 kHz)
    - Fast mode plus (Fm+, 1 MHz)
  - Event System for core independent and predictable inter-peripheral signaling
  - Configurable Custom Logic (CCL) with up to four programmable Look-up Tables (LUT)
  - One Analog Comparator (AC) with a scalable reference input
  - One 10-bit 150 ksp/s Analog-to-Digital Converter (ADC)
  - Five selectable internal voltage references: 0.55V, 1.1V, 1.5V, 2.5V, and 4.3V
  - CRC code memory scan hardware
    - Optional automatic CRC scan before code execution is allowed
  - Watchdog Timer (WDT) with Window mode, with a separate on-chip oscillator
  - External interrupt on all general purpose pins

- I/O and Packages:
  - Up to 41 programmable I/O lines
  - 28-pin SSOP
  - 32-pin VQFN 5x5 and TQFP 7x7
  - 40-pin PDIP
  - 48-pin VQFN 6x6 and TQFP 7x7
- Temperature Ranges:
  - Industrial: -40°C to +85°C
  - Extended: -40°C to +125°C
- Speed Grades -40°C to +105°C:
  - 0-5 MHz @ 1.8V – 5.5V
  - 0-10 MHz @ 2.7V – 5.5V
  - 0-20 MHz @ 4.5V – 5.5V
- Speed Grades +105°C to +125°C:
  - 0-8 MHz @ 2.7V - 5.5V
  - 0-16 MHz @ 4.5V - 5.5V
- Speed Grades -40°C to +125°C - Automotive Range Parts (-VAO):
  - 0-8 MHz @ 2.7V - 5.5V
  - 0-16 MHz @ 4.5V - 5.5V
- VAO variants available: Designed, manufactured, tested, and qualified per the AEC-Q100 requirements for automotive applications.

## Table of Contents

|  |    |
|--|----|
| Introduction.....  | 1  |
| megaAVR® 0-series Overview.....                                    | 1  |
| 1. Memory Overview.....  | 2  |
| 2. Peripheral Overview.....  | 2  |
| Features.....  | 4  |
| 1. Silicon Errata and Data Sheet Clarification Document.....       | 12 |
| 2. Block Diagram.....  | 13 |
| 3. Pinout.....   | 14 |
| 3.1. 28-Pin SSOP.....  | 14 |
| 3.2. 32-Pin VQFN/TQFP.....   | 15 |
| 3.3. 40-Pin PDIP.....  | 16 |
| 3.4. 48-Pin VQFN/TQFP.....   | 17 |
| 4. I/O Multiplexing and Considerations.....                        | 19 |
| 4.1. Multiplexed Signals.....                                      | 19 |
| 5. Conventions.....  | 21 |
| 5.1. Numerical Notation.....                                       | 21 |
| 5.2. Memory Size and Type.....                                     | 21 |
| 5.3. Frequency and Time.....                                       | 21 |
| 5.4. Registers and Bits.....                                       | 22 |
| 5.5. ADC Parameter Definitions.....                                | 23 |
| 6. AVR® CPU.....   | 26 |
| 6.1. Features.....   | 26 |
| 6.2. Overview.....   | 26 |
| 6.3. Architecture.....   | 26 |
| 6.4. Arithmetic Logic Unit (ALU).....                              | 28 |
| 6.5. Functional Description.....                                   | 28 |
| 6.6. Register Summary.....   | 34 |
| 6.7. Register Description.....                                     | 34 |
| 7. Memories.....   | 38 |
| 7.1. Overview.....   | 38 |
| 7.2. Memory Map.....   | 38 |
| 7.3. In-System Reprogrammable Flash Program Memory.....            | 39 |
| 7.4. SRAM Data Memory.....   | 40 |
| 7.5. EEPROM Data Memory.....                                       | 40 |
| 7.6. User Row (USERROW).....                                       | 40 |
| 7.7. Signature Row (SIGROW).....                                   | 40 |
| 7.8. Fuses (FUUSE).....  | 53 |
| 7.9. Memory Section Access from CPU and UPDI on Locked Device..... | 62 |
| 7.10. I/O Memory.....  | 63 |

|   |     |
|---|-----|
| 8. Peripherals and Architecture.....            | 66  |
| 8.1. Peripheral Module Address Map.....         | 66  |
| 8.2. Interrupt Vector Mapping.....              | 67  |
| 8.3. SYSCFG - System Configuration.....         | 69  |
| 9. NVMCTRL - Nonvolatile Memory Controller..... | 72  |
| 9.1. Features.....                              | 72  |
| 9.2. Overview.....                              | 72  |
| 9.3. Functional Description.....                | 73  |
| 9.4. Register Summary.....                      | 79  |
| 9.5. Register Description.....                  | 79  |
| 10. CLKCTRL - Clock Controller.....             | 87  |
| 10.1. Features.....                             | 87  |
| 10.2. Overview.....                             | 87  |
| 10.3. Functional Description.....               | 89  |
| 10.4. Register Summary.....                     | 93  |
| 10.5. Register Description.....                 | 93  |
| 11. SLPCTRL - Sleep Controller.....             | 103 |
| 11.1. Features.....                             | 103 |
| 11.2. Overview.....                             | 103 |
| 11.3. Functional Description.....               | 103 |
| 11.4. Register Summary.....                     | 107 |
| 11.5. Register Description.....                 | 107 |
| 12. RSTCTRL - Reset Controller.....             | 109 |
| 12.1. Features.....                             | 109 |
| 12.2. Overview.....                             | 109 |
| 12.3. Functional Description.....               | 110 |
| 12.4. Register Summary.....                     | 114 |
| 12.5. Register Description.....                 | 114 |
| 13. CPUINT - CPU Interrupt Controller.....      | 117 |
| 13.1. Features.....                             | 117 |
| 13.2. Overview.....                             | 117 |
| 13.3. Functional Description.....               | 118 |
| 13.4. Register Summary.....                     | 123 |
| 13.5. Register Description.....                 | 123 |
| 14. EVSYS - Event System.....                   | 128 |
| 14.1. Features.....                             | 128 |
| 14.2. Overview.....                             | 128 |
| 14.3. Functional Description.....               | 129 |
| 14.4. Register Summary.....                     | 134 |
| 14.5. Register Description.....                 | 134 |
| 15. PORTMUX - Port Multiplexer.....             | 139 |
| 15.1. Overview.....                             | 139 |

|   |     |
|---|-----|
| 15.2. Register Summary - PORTMUX.....         | 140 |
| 15.3. Register Description.....               | 140 |
| 16. PORT - I/O Pin Configuration.....         | 147 |
| 16.1. Features.....                           | 147 |
| 16.2. Overview.....                           | 147 |
| 16.3. Functional Description.....             | 149 |
| 16.4. Register Summary - PORTx.....           | 153 |
| 16.5. Register Description - PORTx.....       | 153 |
| 16.6. Register Summary - VPORTx.....          | 166 |
| 16.7. Register Description - VPORTx.....      | 166 |
| 17. BOD - Brown-out Detector.....             | 171 |
| 17.1. Features.....                           | 171 |
| 17.2. Overview.....                           | 171 |
| 17.3. Functional Description.....             | 172 |
| 17.4. Register Summary.....                   | 174 |
| 17.5. Register Description.....               | 174 |
| 18. VREF - Voltage Reference.....             | 181 |
| 18.1. Features.....                           | 181 |
| 18.2. Overview.....                           | 181 |
| 18.3. Functional Description.....             | 181 |
| 18.4. Register Summary - VREF.....            | 182 |
| 18.5. Register Description.....               | 182 |
| 19. WDT - Watchdog Timer.....                 | 185 |
| 19.1. Features.....                           | 185 |
| 19.2. Overview.....                           | 185 |
| 19.3. Functional Description.....             | 186 |
| 19.4. Register Summary - WDT.....             | 189 |
| 19.5. Register Description.....               | 189 |
| 20. TCA - 16-bit Timer/Counter Type A.....    | 192 |
| 20.1. Features.....                           | 192 |
| 20.2. Overview.....                           | 192 |
| 20.3. Functional Description.....             | 194 |
| 20.4. Register Summary - Normal Mode.....     | 205 |
| 20.5. Register Description - Normal Mode..... | 205 |
| 20.6. Register Summary - Split Mode.....      | 224 |
| 20.7. Register Description - Split Mode.....  | 224 |
| 21. TCB - 16-Bit Timer/Counter Type B.....    | 240 |
| 21.1. Features.....                           | 240 |
| 21.2. Overview.....                           | 240 |
| 21.3. Functional Description.....             | 242 |
| 21.4. Register Summary.....                   | 250 |
| 21.5. Register Description.....               | 250 |
| 22. RTC - Real-Time Counter.....              | 261 |



|  |     |
|--|-----|
| 22.1. Features.....  | 261 |
| 22.2. Overview.....  | 261 |
| 22.3. Clocks.....  | 262 |
| 22.4. RTC Functional Description.....  | 262 |
| 22.5. PIT Functional Description.....  | 263 |
| 22.6. Crystal Error Correction.....  | 265 |
| 22.7. Events.....  | 265 |
| 22.8. Interrupts.....  | 266 |
| 22.9. Sleep Mode Operation.....  | 267 |
| 22.10. Synchronization.....  | 267 |
| 22.11. Debug Operation.....  | 267 |
| 22.12. Register Summary.....   | 268 |
| 22.13. Register Description.....   | 268 |
| 23. USART - Universal Synchronous and Asynchronous Receiver and Transmitter..... | 285 |
| 23.1. Features.....  | 285 |
| 23.2. Overview.....  | 285 |
| 23.3. Functional Description.....  | 286 |
| 23.4. Register Summary.....  | 301 |
| 23.5. Register Description.....  | 301 |
| 24. SPI - Serial Peripheral Interface.....                                       | 319 |
| 24.1. Features.....  | 319 |
| 24.2. Overview.....  | 319 |
| 24.3. Functional Description.....  | 320 |
| 24.4. Register Summary.....  | 327 |
| 24.5. Register Description.....  | 327 |
| 25. TWI - Two-Wire Interface.....  | 334 |
| 25.1. Features.....  | 334 |
| 25.2. Overview.....  | 334 |
| 25.3. Functional Description.....  | 335 |
| 25.4. Register Summary.....  | 346 |
| 25.5. Register Description.....  | 346 |
| 26. CRCSCAN - Cyclic Redundancy Check Memory Scan.....                           | 364 |
| 26.1. Features.....  | 364 |
| 26.2. Overview.....  | 364 |
| 26.3. Functional Description.....  | 365 |
| 26.4. Register Summary - CRCSCAN.....  | 368 |
| 26.5. Register Description.....  | 368 |
| 27. CCL - Configurable Custom Logic.....   | 372 |
| 27.1. Features.....  | 372 |
| 27.2. Overview.....  | 372 |
| 27.3. Functional Description.....  | 374 |
| 27.4. Register Summary.....  | 382 |
| 27.5. Register Description.....  | 382 |

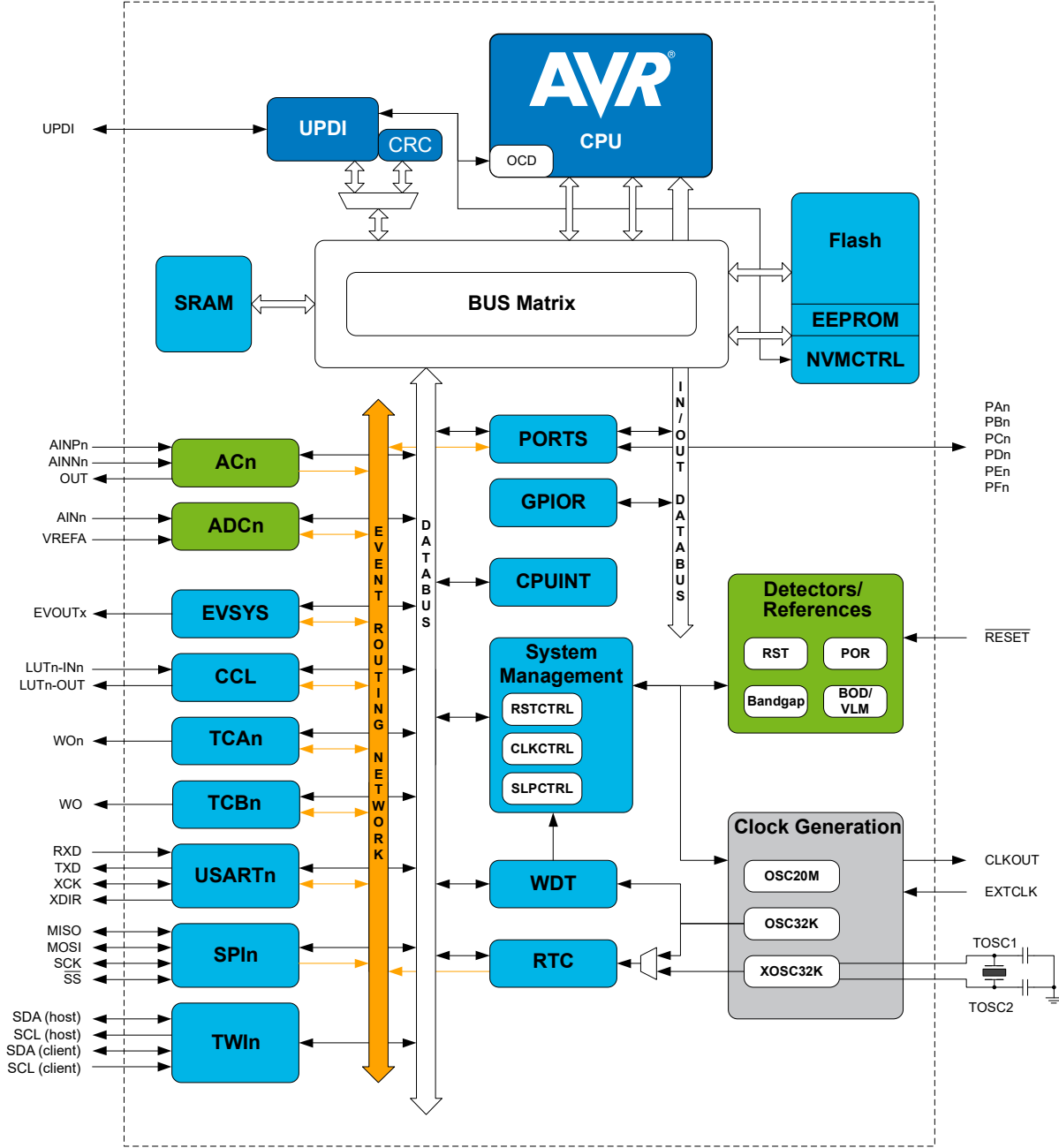
|   |     |
|---|-----|
| 28. AC - Analog Comparator.....                     | 392 |
| 28.1. Features.....                                 | 392 |
| 28.2. Overview.....                                 | 392 |
| 28.3. Functional Description.....                   | 393 |
| 28.4. Register Summary.....                         | 395 |
| 28.5. Register Description.....                     | 395 |
| 29. ADC - Analog-to-Digital Converter.....          | 401 |
| 29.1. Features.....                                 | 401 |
| 29.2. Overview.....                                 | 401 |
| 29.3. Functional Description.....                   | 402 |
| 29.4. Register Summary - ADCn.....                  | 409 |
| 29.5. Register Description.....                     | 409 |
| 30. UPDI - Unified Program and Debug Interface..... | 427 |
| 30.1. Features.....                                 | 427 |
| 30.2. Overview.....                                 | 427 |
| 30.3. Functional Description.....                   | 429 |
| 30.4. Register Summary.....                         | 447 |
| 30.5. Register Description.....                     | 447 |
| 31. Instruction Set Summary.....                    | 459 |
| 32. Electrical Characteristics.....                 | 460 |
| 32.1. Disclaimer.....                               | 460 |
| 32.2. Absolute Maximum Ratings .....                | 460 |
| 32.3. General Operating Ratings .....               | 460 |
| 32.4. Power Considerations.....                     | 462 |
| 32.5. Power Consumption.....                        | 463 |
| 32.6. Wake-Up Time.....                             | 465 |
| 32.7. Peripherals Power Consumption.....            | 466 |
| 32.8. BOD and POR Characteristics.....              | 467 |
| 32.9. External Reset Characteristics.....           | 468 |
| 32.10. Oscillators and Clocks.....                  | 468 |
| 32.11. I/O Pin Characteristics.....                 | 470 |
| 32.12. USART.....                                   | 471 |
| 32.13. SPI.....                                     | 472 |
| 32.14. TWI.....                                     | 473 |
| 32.15. VREF.....                                    | 476 |
| 32.16. ADC.....                                     | 477 |
| 32.17. TEMPSENSE.....                               | 480 |
| 32.18. AC.....                                      | 481 |
| 32.19. UPDI.....                                    | 482 |
| 32.20. Programming Time.....                        | 483 |
| 33. Typical Characteristics.....                    | 484 |
| 33.1. Power Consumption.....                        | 484 |
| 33.2. GPIO.....                                     | 493 |
| 33.3. VREF Characteristics.....                     | 500 |

|   |     |
|---|-----|
| 33.4. BOD Characteristics.....                  | 502 |
| 33.5. ADC Characteristics.....                  | 505 |
| 33.6. TEMPSENSE Characteristics.....            | 515 |
| 33.7. AC Characteristics.....                   | 516 |
| 33.8. OSC20M Characteristics.....               | 518 |
| 33.9. OSCULP32K Characteristics.....            | 520 |
| 34. Ordering Information.....                   | 521 |
| 35. Package Drawings.....                       | 523 |
| 35.1. Package Marking Information.....          | 523 |
| 35.2. Online Package Drawings.....              | 525 |
| 35.3. 28-Pin SSOP.....                          | 526 |
| 35.4. 32-Pin TQFP.....                          | 529 |
| 35.5. 32-Pin VQFN.....                          | 532 |
| 35.6. 32-Pin VQFN Wettable Flanks.....          | 535 |
| 35.7. 40-Pin PDIP.....                          | 538 |
| 35.8. 48-Pin TQFP.....                          | 539 |
| 35.9. 48-Pin VQFN.....                          | 542 |
| 35.10. 48-Pin VQFN Wettable Flanks.....         | 545 |
| 36. Data Sheet Revision History.....            | 548 |
| 36.1. Rev. C - 02/2021.....                     | 548 |
| 36.2. Rev. B - 06/2020.....                     | 553 |
| 36.3. Rev.A - 01/2020.....                      | 554 |
| 36.4. Appendix - Obsolete Revision History..... | 554 |
| The Microchip Website.....                      | 557 |
| Product Change Notification Service.....        | 557 |
| Customer Support.....                           | 557 |
| Product Identification System.....              | 558 |
| Microchip Devices Code Protection Feature.....  | 558 |
| Legal Notice.....                               | 558 |
| Trademarks.....                                 | 559 |
| Quality Management System.....                  | 559 |
| Worldwide Sales and Service.....                | 560 |

### 1. Silicon Errata and Data Sheet Clarification Document

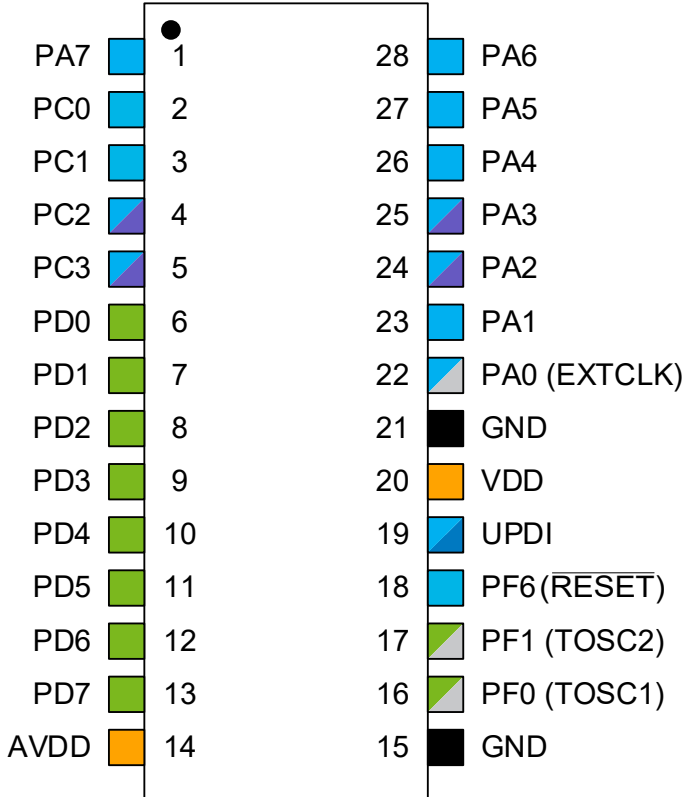
We intend to provide our customers with the best documentation possible to ensure the successful use of Microchip products. Between data sheet updates, a Silicon Errata and Data Sheet Clarification Document will contain the most recent information for the data sheet. The *ATmega4808/4809 Silicon Errata and Data Sheet Clarification Document* ([microchip.com/DS80000867](http://microchip.com/DS80000867)) is available at the device product page on [www.microchip.com](http://www.microchip.com).

2. Block Diagram







### 3. Pinout






#### 3.1 28-Pin SSOP



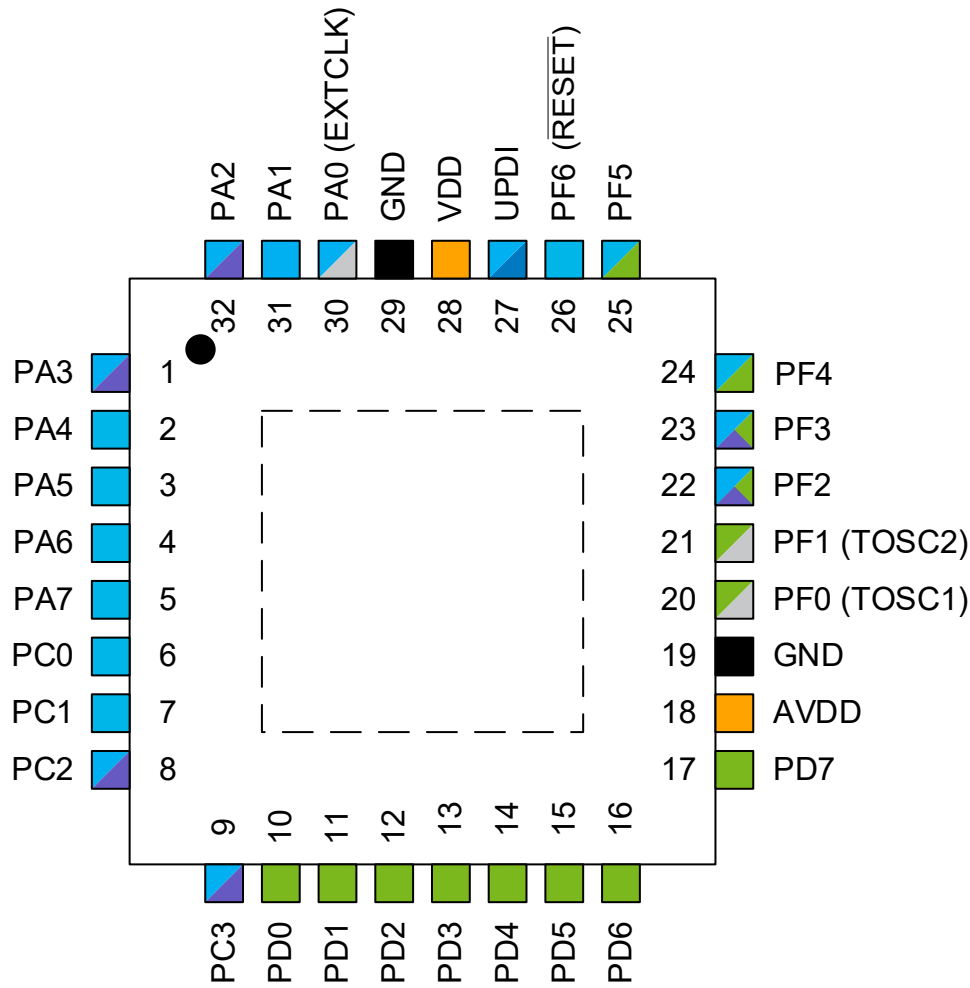
#### Power

-  Input supply
-  Ground
-  GPIO on VDD power domain
-  GPIO on AVDD power domain





#### Functionality

-  Programming, debug
-  Clock, crystal
-  TWI
-  Digital functions only
-  Analog functions






### 3.2 32-Pin VQFN/TQFP



#### Power

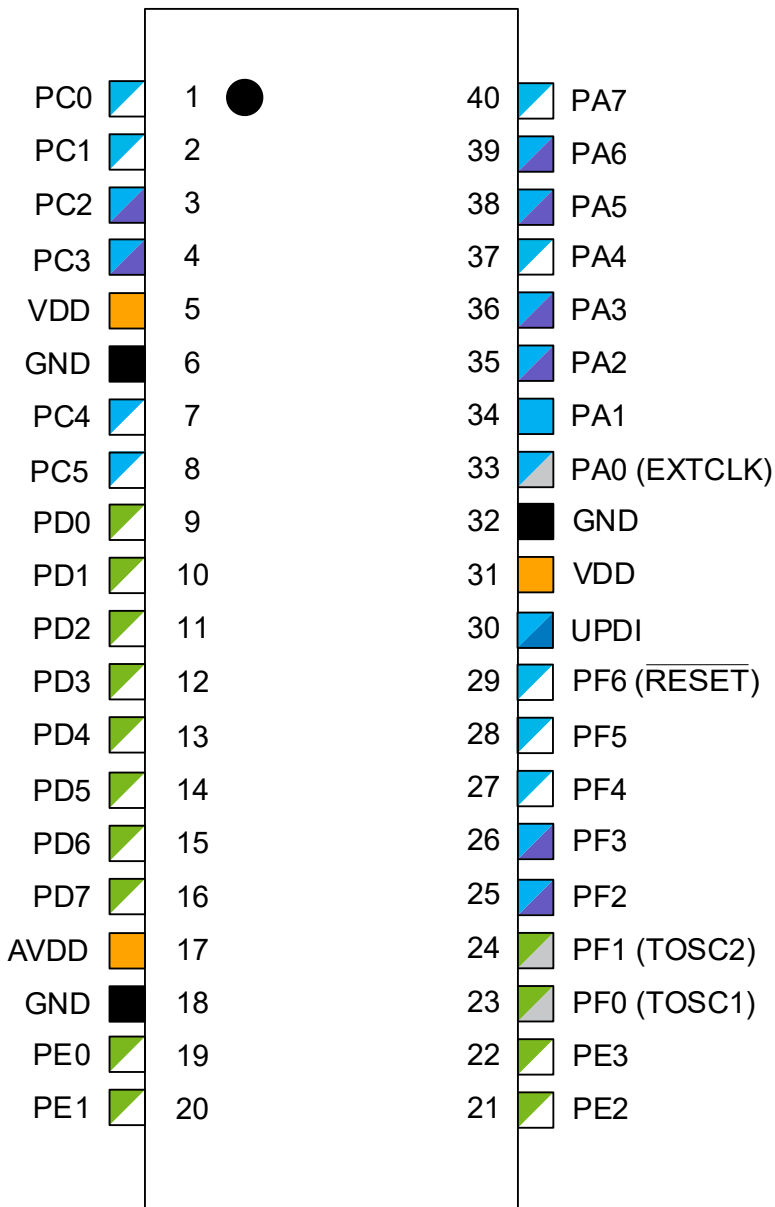
-  Input supply
-  Ground
-  GPIO on VDD power domain
-  GPIO on AVDD power domain

#### Functionality





-  Programming, debug
-  Clock, crystal
-  TWI
-  Digital functions only
-  Analog functions

**Note:** The center pad underneath the QFN packages can be connected to PCB ground or left electrically unconnected. Solder or glue it to the board to ensure good mechanical stability. If the center pad is not attached, the package might loosen from the board.






### 3.3 40-Pin PDIP



#### Power

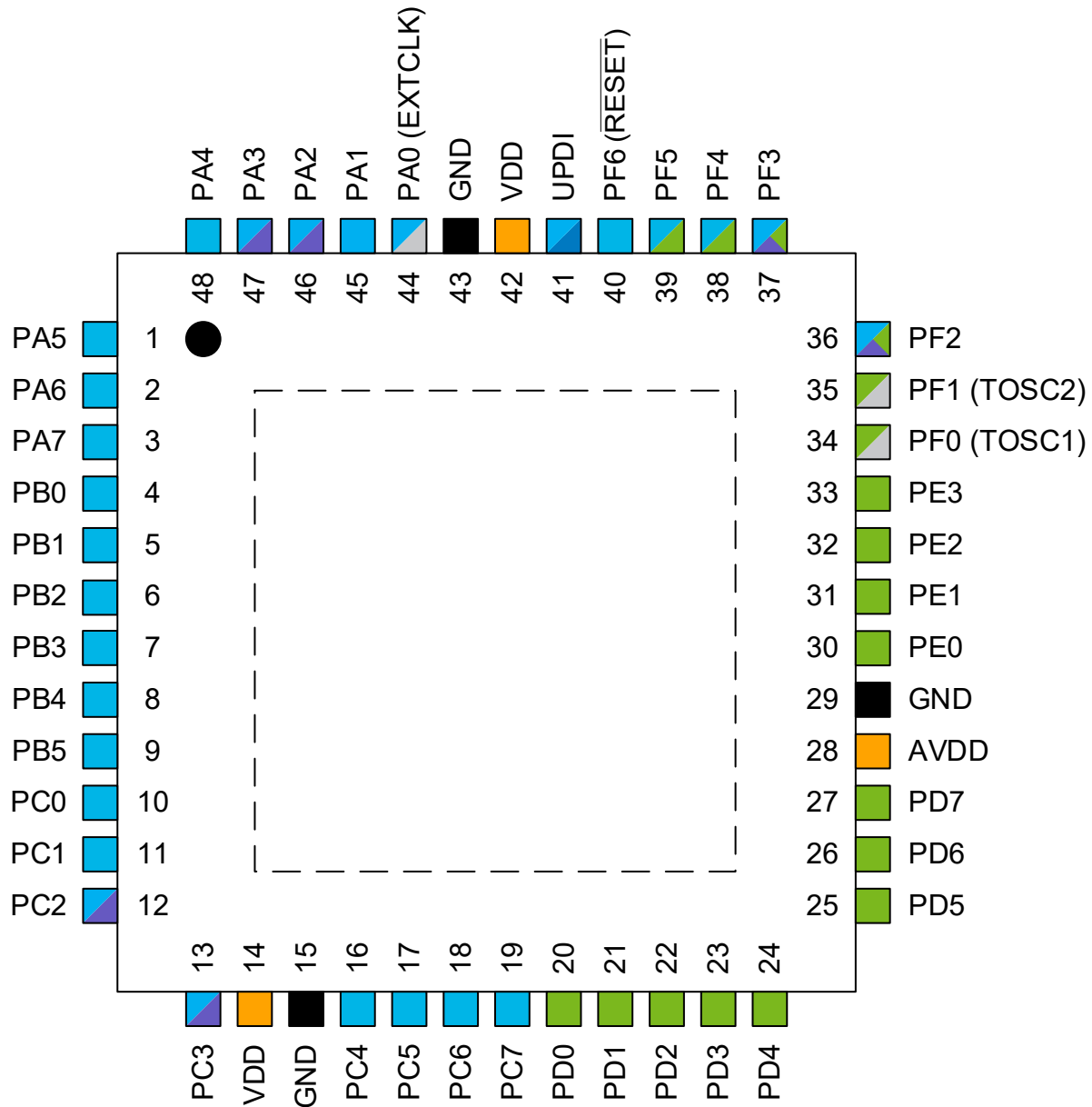
-  Input supply
-  Ground
-  GPIO on VDD power domain
-  GPIO on AVDD power domain

#### Functionality





-  Programming, debug
-  Clock, crystal
-  TWI
-  Digital functions only
-  Analog functions








### 3.4 48-Pin VQFN/TQFP



#### Power

-  Input supply
-  Ground
-  GPIO on VDD power domain
-  GPIO on AVDD power domain

#### Functionality

-  Programming, debug
-  Clock, crystal
-  TWI
-  Digital functions only
-  Analog functions

**Note:** The center pad underneath the QFN packages can be connected to PCB ground or left electrically unconnected. Solder or glue it to the board to ensure good mechanical stability. If the center pad is not attached, the package might loosen from the board.

## 4. I/O Multiplexing and Considerations

### 4.1 Multiplexed Signals

| TQFP48/<br>VQFN48 | PDIP40(4) | TQFP32/<br>VQFN32 | SSOP28 | Pin name <sup>(1,2)</sup> | Special | ADC0  | AC0 | USARTn                | SPI0                | TWI0                   | TCA0                 | TCBn                | EVSYS                 | CCL-LUTn             |
|-------------------|-----------|-------------------|--------|---------------------------|---------|-------|-----|-----------------------|---------------------|------------------------|----------------------|---------------------|-----------------------|----------------------|
| 44                | 33        | 30                | 22     | PA0                       | EXTCLK  |       |     | 0,TxD                 |                     |                        | 0-W00                |                     |                       | 0-IN0                |
| 45                | 34        | 31                | 23     | PA1                       |         |       |     | 0,RxD                 |                     |                        | 0-W01                |                     |                       | 0-IN1                |
| 46                | 35        | 32                | 24     | PA2                       | TWI     |       |     | 0,XCK                 |                     | SDA(MS)                | 0-W02                | 0-WO                | EVOUTA                | 0-IN2                |
| 47                | 36        | 1                 | 25     | PA3                       | TWI     |       |     | 0,XDIR                |                     | SCL(MS)                | 0-W03                | 1-WO                |                       | 0-OUT                |
| 48                | 37        | 2                 | 26     | PA4                       |         |       |     | 0,TxD <sup>(3)</sup>  | MOSI                |                        | 0-W04                |                     |                       |                      |
| 1                 | 38        | 3                 | 27     | PA5                       |         |       |     | 0,RxD <sup>(3)</sup>  | MISO                |                        | 0-W05                |                     |                       |                      |
| 2                 | 39        | 4                 | 28     | PA6                       |         |       |     | 0,XCK <sup>(3)</sup>  | SCK                 |                        |                      |                     |                       | 0-OUT <sup>(3)</sup> |
| 3                 | 40        | 5                 | 1      | PA7                       | CLKOUT  |       | OUT | 0,XDIR <sup>(3)</sup> | SS                  |                        |                      |                     | EVOUTA <sup>(3)</sup> |                      |
| 4                 |           |                   |        | PB0                       |         |       |     | 3,TxD                 |                     |                        | 0-W00 <sup>(3)</sup> |                     |                       |                      |
| 5                 |           |                   |        | PB1                       |         |       |     | 3,RxD                 |                     |                        | 0-W01 <sup>(3)</sup> |                     |                       |                      |
| 6                 |           |                   |        | PB2                       |         |       |     | 3,XCK                 |                     |                        | 0-W02 <sup>(3)</sup> |                     | EVOUTB                |                      |
| 7                 |           |                   |        | PB3                       |         |       |     | 3,XDIR                |                     |                        | 0-W03 <sup>(3)</sup> |                     |                       |                      |
| 8                 |           |                   |        | PB4                       |         |       |     | 3,TxD <sup>(3)</sup>  |                     |                        | 0-W04 <sup>(3)</sup> | 2-WO <sup>(3)</sup> |                       |                      |
| 9                 |           |                   |        | PB5                       |         |       |     | 3,RxD <sup>(3)</sup>  |                     |                        | 0-W05 <sup>(3)</sup> | 3-WO                |                       |                      |
| 10                | 1         | 6                 | 2      | PC0                       |         |       |     | 1,TxD                 | MOSI <sup>(3)</sup> |                        | 0-W00 <sup>(3)</sup> | 2-WO                |                       | 1-IN0                |
| 11                | 2         | 7                 | 3      | PC1                       |         |       |     | 1,RxD                 | MISO <sup>(3)</sup> |                        | 0-W01 <sup>(3)</sup> | 3-WO <sup>(3)</sup> |                       | 1-IN1                |
| 12                | 3         | 8                 | 4      | PC2                       | TWI     |       |     | 1,XCK                 | SCK <sup>(3)</sup>  | SDA(MS) <sup>(3)</sup> | 0-W02 <sup>(3)</sup> |                     | EVOUTC                | 1-IN2                |
| 13                | 4         | 9                 | 5      | PC3                       | TWI     |       |     | 1,XDIR                | SS <sup>(3)</sup>   | SCL(MS) <sup>(3)</sup> | 0-W03 <sup>(3)</sup> |                     |                       | 1-OUT                |
| 14                | 5         |                   |        | VDD                       |         |       |     |                       |                     |                        |                      |                     |                       |                      |
| 15                | 6         |                   |        | GND                       |         |       |     |                       |                     |                        |                      |                     |                       |                      |
| 16                | 7         |                   |        | PC4                       |         |       |     | 1,TxD <sup>(3)</sup>  |                     |                        | 0-W04 <sup>(3)</sup> |                     |                       |                      |
| 17                | 8         |                   |        | PC5                       |         |       |     | 1,RxD <sup>(3)</sup>  |                     |                        | 0-W05 <sup>(3)</sup> |                     |                       |                      |
| 18                |           |                   |        | PC6                       |         |       |     | 1,XCK <sup>(3)</sup>  |                     |                        |                      |                     |                       | 1-OUT <sup>(3)</sup> |
| 19                |           |                   |        | PC7                       |         |       |     | 1,XDIR <sup>(3)</sup> |                     |                        |                      |                     | EVOUTC <sup>(3)</sup> |                      |
| 20                | 9         | 10                | 6      | PD0                       |         | AIN0  |     |                       |                     |                        | 0-W00 <sup>(3)</sup> |                     |                       | 2-IN0                |
| 21                | 10        | 11                | 7      | PD1                       |         | AIN1  | P3  |                       |                     |                        | 0-W01 <sup>(3)</sup> |                     |                       | 2-IN1                |
| 22                | 11        | 12                | 8      | PD2                       |         | AIN2  | P0  |                       |                     |                        | 0-W02 <sup>(3)</sup> |                     | EVOUTD                | 2-IN2                |
| 23                | 12        | 13                | 9      | PD3                       |         | AIN3  | N0  |                       |                     |                        | 0-W03 <sup>(3)</sup> |                     |                       | 2-OUT                |
| 24                | 13        | 14                | 10     | PD4                       |         | AIN4  | P1  |                       |                     |                        | 0-W04 <sup>(3)</sup> |                     |                       |                      |
| 25                | 14        | 15                | 11     | PD5                       |         | AIN5  | N1  |                       |                     |                        | 0-W05 <sup>(3)</sup> |                     |                       |                      |
| 26                | 15        | 16                | 12     | PD6                       |         | AIN6  | P2  |                       |                     |                        |                      |                     |                       | 2-OUT <sup>(3)</sup> |
| 27                | 16        | 17                | 13     | PD7                       | VREFA   | AIN7  | N2  |                       |                     |                        |                      |                     | EVOUTD <sup>(3)</sup> |                      |
| 28                | 17        | 18                | 14     | AVDD                      |         |       |     |                       |                     |                        |                      |                     |                       |                      |
| 29                | 18        | 19                | 15     | GND                       |         |       |     |                       |                     |                        |                      |                     |                       |                      |
| 30                | 19        |                   |        | PE0                       |         | AIN8  |     |                       | MOSI <sup>(3)</sup> |                        | 0-W00 <sup>(3)</sup> |                     |                       |                      |
| 31                | 20        |                   |        | PE1                       |         | AIN9  |     |                       | MISO <sup>(3)</sup> |                        | 0-W01 <sup>(3)</sup> |                     |                       |                      |
| 32                | 21        |                   |        | PE2                       |         | AIN10 |     |                       | SCK <sup>(3)</sup>  |                        | 0-W02 <sup>(3)</sup> |                     | EVOUTE                |                      |
| 33                | 22        |                   |        | PE3                       |         | AIN11 |     |                       | SS <sup>(3)</sup>   |                        | 0-W03 <sup>(3)</sup> |                     |                       |                      |
| 34                | 23        | 20                | 16     | PF0                       | TOSC1   |       |     | 2,TxD                 |                     |                        | 0-W00 <sup>(3)</sup> |                     |                       | 3-IN0                |
| 35                | 24        | 21                | 17     | PF1                       | TOSC2   |       |     | 2,RxD                 |                     |                        | 0-W01 <sup>(3)</sup> |                     |                       | 3-IN1                |
| 36                | 25        | 22                |        | PF2                       | TWI     | AIN12 |     | 2,XCK                 |                     | SDA(S) <sup>(3)</sup>  | 0-W02 <sup>(3)</sup> |                     | EVOUTF                | 3-IN2                |
| 37                | 26        | 23                |        | PF3                       | TWI     | AIN13 |     | 2,XDIR                |                     | SCL(S) <sup>(3)</sup>  | 0-W03 <sup>(3)</sup> |                     |                       | 3-OUT                |

# ATmega4808/4809

## I/O Multiplexing and Considerations

.....continued

| TQFP48/<br>VQFN48 | PDIP40(4) | TQFP32/<br>VQFN32 | SSOP28 | Pin name(1,2) | Special | ADC0  | AC0 | USARTn               | SPI0 | TWI0 | TCA0                 | TCBn                | EVSYS | CCL-LUTn             |
|-------------------|-----------|-------------------|--------|---------------|---------|-------|-----|----------------------|------|------|----------------------|---------------------|-------|----------------------|
| 38                | 27        | 24                |        | PF4           |         | AIN14 |     | 2.TxD <sup>(3)</sup> |      |      | 0-WO4 <sup>(3)</sup> | 0-WO <sup>(3)</sup> |       |                      |
| 39                | 28        | 25                |        | PF5           |         | AIN15 |     | 2.RxD <sup>(3)</sup> |      |      | 0-WO5 <sup>(3)</sup> | 1-WO <sup>(3)</sup> |       |                      |
| 40                | 29        | 26                | 18     | PF6           | RESET   |       |     | 2.XCK <sup>(3)</sup> |      |      |                      |                     |       | 3-OUT <sup>(3)</sup> |
| 41                | 30        | 27                | 19     | UPDI          |         |       |     |                      |      |      |                      |                     |       |                      |
| 42                | 31        | 28                | 20     | VDD           |         |       |     |                      |      |      |                      |                     |       |                      |
| 43                | 32        | 29                | 21     | GND           |         |       |     |                      |      |      |                      |                     |       |                      |

**Notes:**

1. Pin names are of type Pxn, with x being the PORT instance (A,B,C, ...) and n the pin number. Notation for signals is PORTx\_PINn. All pins can be used as event input.
2. All pins can be used for external interrupt, where pins Px2 and Px6 of each port have full asynchronous detection.
3. Alternate pin positions. For selecting the alternate positions, refer to the PORTMUX documentation.
4. The 40-pin version of the ATmega4809 is using the die of the 48-pin ATmega4809 but offers fewer connected pads. For this reason, the pins PB[5:0] and PC[7:6] must be disabled (INPUT\_DISABLE) or enable pull-ups (PULLUPEN).

## 5. Conventions

### 5.1 Numerical Notation

**Table 5-1. Numerical Notation**

| Symbol | Description   |
|--------|---|
| 165    | Decimal number  |
| 0b0101 | Binary number   |
| '0101' | Binary numbers are given without prefix if unambiguous                    |
| 0x3B24 | Hexadecimal number  |
| X      | Represents an unknown or do not care value                                |
| Z      | Represents a high-impedance (floating) state for either a signal or a bus |

### 5.2 Memory Size and Type

**Table 5-2. Memory Size and Bit Rate**

| Symbol   | Description                                    |
|----------|--|
| KB       | kilobyte ( $2^{10}\text{B} = 1024\text{B}$ )   |
| MB       | megabyte ( $2^{20}\text{B} = 1024 \text{KB}$ ) |
| GB       | gigabyte ( $2^{30}\text{B} = 1024 \text{MB}$ ) |
| b        | bit (binary '0' or '1')                        |
| B        | byte (8 bits)                                  |
| 1 kbit/s | 1,000 bit/s rate                               |
| 1 Mbit/s | 1,000,000 bit/s rate                           |
| 1 Gbit/s | 1,000,000,000 bit/s rate                       |
| word     | 16-bit   |

### 5.3 Frequency and Time

**Table 5-3. Frequency and Time**

| Symbol | Description  |
|--------|--|
| kHz    | 1 kHz = $10^3 \text{ Hz} = 1,000 \text{ Hz}$         |
| MHz    | 1 MHz = $10^6 \text{ Hz} = 1,000,000 \text{ Hz}$     |
| GHz    | 1 GHz = $10^9 \text{ Hz} = 1,000,000,000 \text{ Hz}$ |
| ms     | 1 ms = $10^{-3}\text{s} = 0.001\text{s}$             |
| μs     | 1 μs = $10^{-6}\text{s} = 0.000001\text{s}$          |
| ns     | 1 ns = $10^{-9}\text{s} = 0.000000001\text{s}$       |

## 5.4 Registers and Bits

**Table 5-4. Register and Bit Mnemonics**

| Symbol        | Description   |
|---------------|---|
| R/W           | Read/Write accessible register bit. The user can read from and write to this bit.   |
| R             | Read-only accessible register bit. The user can only read this bit. Writes will be ignored.   |
| W             | Write-only accessible register bit. The user can only write this bit. Reading this bit will return an undefined value.  |
| BITFIELD      | Bitfield names are shown in uppercase. Example: INTMODE.  |
| BITFIELD[n:m] | A set of bits from bit n down to m. Example: PINA[3:0] = {PINA3, PINA2, PINA1, PINA0}.  |
| Reserved      | Reserved bits, bit fields, and bit field values are unused and reserved for future use. For compatibility with future devices, always write reserved bits to '0' when the register is written. Reserved bits will always return zero when read.   |
| PERIPHERALn   | If several instances of the peripheral exist, the peripheral name is followed by a single number to identify one instance. Example: USARTn is the collection of all instances of the USART module, while USART3 is one specific instance of the USART module.   |
| PERIPHERALx   | If several instances of the peripheral exist, the peripheral name is followed by a single capital letter (A-Z) to identify one instance. Example: PORTx is the collection of all instances of the PORT module, while PORTB is one specific instance of the PORT module.   |
| Reset         | Value of a register after a Power-on Reset. This is also the value of registers in a peripheral after performing a software Reset of the peripheral, except for the Debug Control registers.  |
| SET/CLR/TGL   | Registers with SET/CLR/TGL suffix allow the user to clear and set bits in a register without doing a read-modify-write operation.<br>Each SET/CLR/TGL register is paired with the register it is affecting. Both registers in a register pair return the same value when read.<br><br>Example: In the PORT peripheral, the OUT and OUTSET registers form such a register pair. The contents of OUT will be modified by a write to OUTSET. Reading OUT and OUTSET will return the same value.<br><br>Writing a '1' to a bit in the CLR register will clear the corresponding bit in both registers.<br><br>Writing a '1' to a bit in the SET register will set the corresponding bit in both registers.<br><br>Writing a '1' to a bit in the TGL register will toggle the corresponding bit in both registers. |

### 5.4.1 Addressing Registers from Header Files

In order to address registers in the supplied C header files, the following rules apply:

1. A register is identified by <peripheral\_instance\_name>.<register\_name>, e.g., CPU.SREG, USART2.CTRLA, or PORTB.DIR.
2. The peripheral name is given in the "Peripheral Address Map" in the "Peripherals and Architecture" section.
3. <peripheral\_instance\_name> is obtained by substituting any n or x in the peripheral name with the correct instance identifier.
4. When assigning a predefined value to a peripheral register, the value is constructed following the rule:  
<peripheral\_name>\_<bit\_field\_name>\_<bit\_field\_value>\_gc  
<peripheral\_name> is <peripheral\_instance\_name>, but remove any instance identifier.  
  
<bit\_field\_value> can be found in the "Name" column in the tables in the Register Description sections describing the bit fields of the peripheral registers.

### Example 5-1. Register Assignments

```

// EVSYS channel 0 is driven by TCB3 OVF event
EVSYS.CHANNEL0 = EVSYS_CHANNEL0_TCB3_OVF_gc;

// USART0 RXMODE uses Double Transmission Speed
USART0.CTRLB = USART_RXMODE_CLK2X_gc;

```

**Note:** For peripherals with different register sets in different modes, <peripheral\_instance\_name> and <peripheral\_name> must be followed by a mode name, for example:

```

// TCA0 in Normal Mode (SINGLE) uses waveform generator in frequency mode
TCA0.SINGLE.CTRL=TCA_SINGLE_WGMODE_FRQ_gc;

```

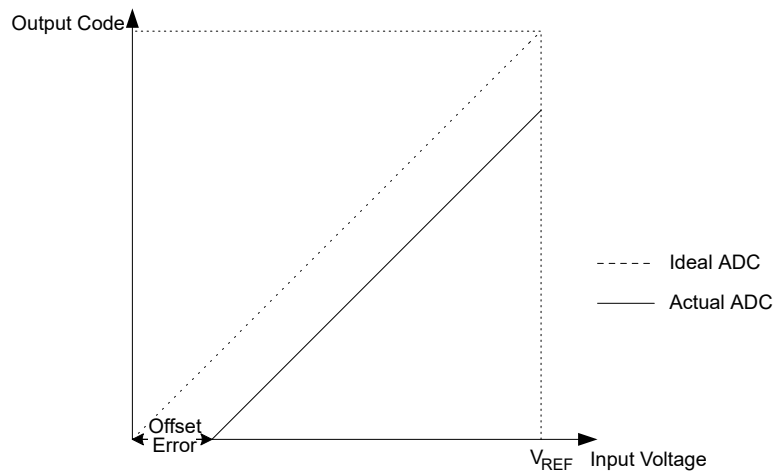
## 5.5 ADC Parameter Definitions

An ideal n-bit single-ended ADC converts a voltage linearly between GND and  $V_{REF}$  in  $2^n$  steps (LSb). The lowest code is read as '0', and the highest code is read as ' $2^n-1$ '. Several parameters describe the deviation from the ideal behavior:

### Offset Error

The deviation of the first transition (0x000 to 0x001) compared to the ideal transition (at 0.5 LSb). Ideal value: 0 LSb.

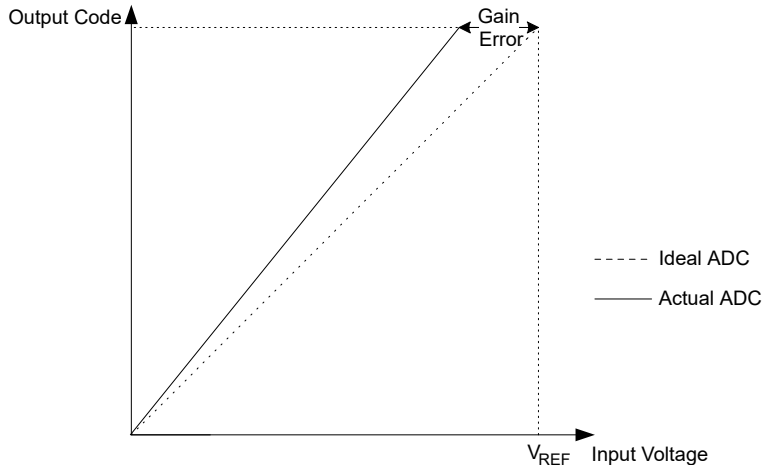
**Figure 5-1. Offset Error**



### Gain Error

After adjusting for offset, the gain error is found as the deviation of the last transition (e.g., 0x3FE to 0x3FF for a 10-bit ADC) compared to the ideal transition (at 1.5 LSb below maximum). Ideal value: 0 LSb.

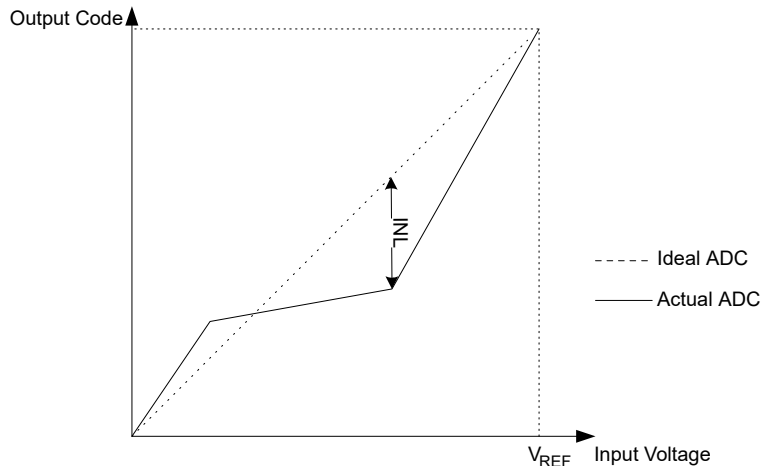
Figure 5-2. Gain Error



**Integral Nonlinearity (INL)**

After adjusting for offset and gain error, the INL is the maximum deviation of an actual transition compared to an ideal transition for any code. Ideal value: 0 LSb.

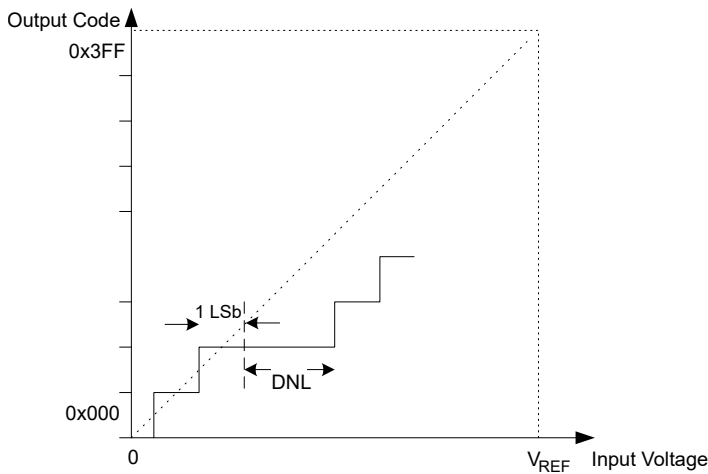
Figure 5-3. Integral Nonlinearity



**Differential Nonlinearity (DNL)**

The maximum deviation of the actual code width (the interval between two adjacent transitions) from the ideal code width (1 LSb). Ideal value: 0 LSb.

Figure 5-4. Differential Nonlinearity





**Quantization Error** Due to the quantization of the input voltage into a finite number of codes, a range of input voltages (1 LSb wide) will code to the same value. Always  $\pm 0.5$  LSb.

**Absolute Accuracy** The maximum deviation of an actual (unadjusted) transition compared to an ideal transition for any code. This is the compound effect of all errors mentioned before. Ideal value:  $\pm 0.5$  LSb.

---

---

## 6. AVR® CPU

### 6.1 Features

- 8-Bit, High-Performance AVR RISC CPU:
  - 135 instructions
  - Hardware multiplier
- 32 8-Bit Registers Directly Connected to the ALU
- Stack in RAM
- Stack Pointer Accessible in I/O Memory Space
- Direct Addressing of up to 64 KB of Unified Memory
- Efficient Support for 8-, 16-, and 32-Bit Arithmetic
- Configuration Change Protection for System-Critical Features
- Native On-Chip Debugging (OCD) Support:
  - Two hardware breakpoints
  - Change of flow, interrupt, and software breakpoints
  - Run-time read-out of Stack Pointer (SP) register, Program Counter (PC), and Status Register (SREG)
  - Register file read- and writable in Stopped mode

### 6.2 Overview

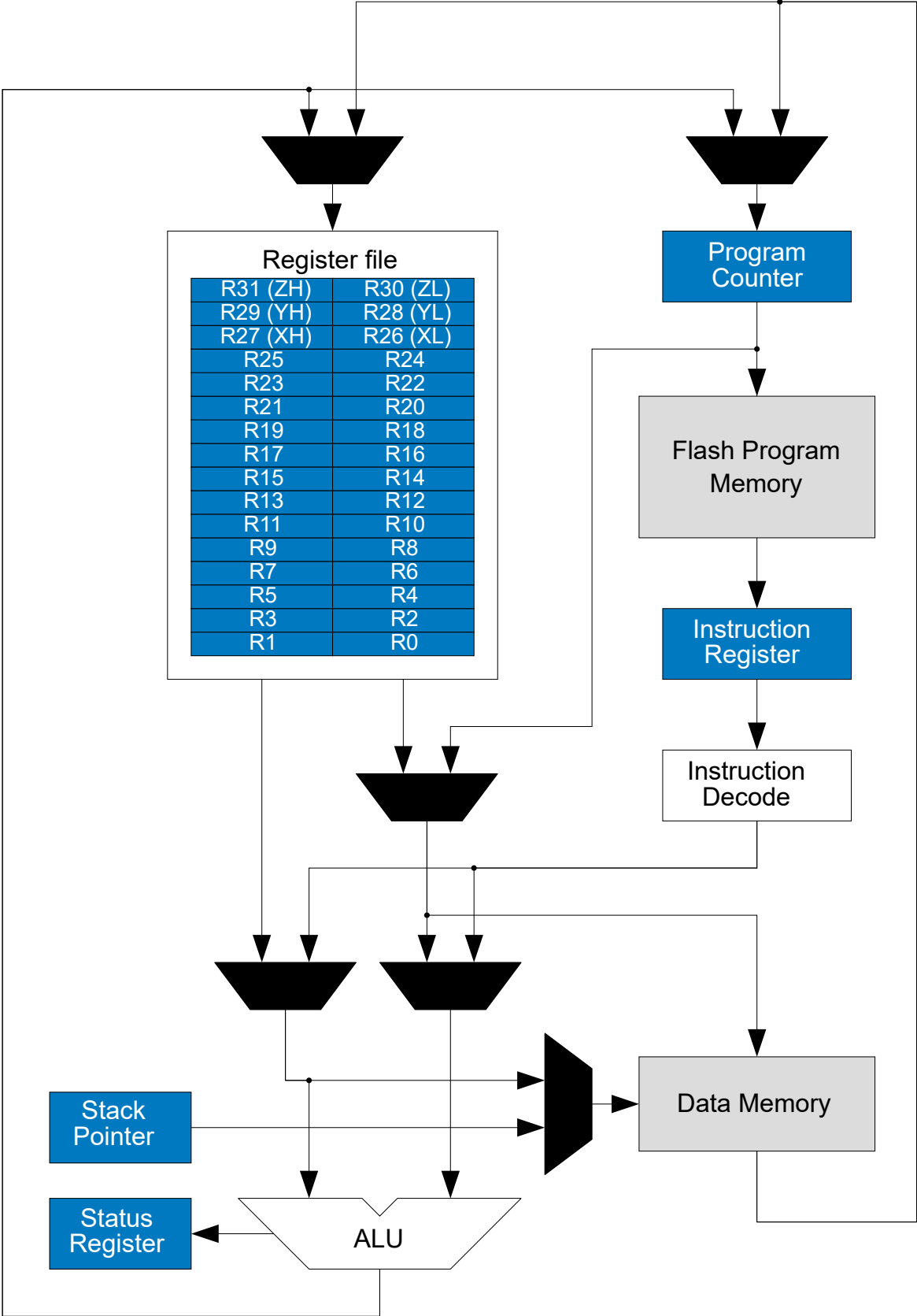
All AVR devices use the AVR 8-bit CPU. The CPU is able to access memories, perform calculations, control peripherals, and execute instructions in the program memory. Interrupt handling is described in a separate section.

### 6.3 Architecture

To maximize performance and parallelism, the AVR CPU uses a Harvard architecture with separate buses for program and data. The instructions in the program memory are executed with a single-level pipeline. While one instruction is being executed, the next instruction is prefetched from the program memory. This enables instructions to be executed on every clock cycle.

Refer to the *Instruction Set Summary* section for a summary of all AVR instructions.

Figure 6-1. AVR® CPU Architecture



## 6.4 Arithmetic Logic Unit (ALU)

The Arithmetic Logic Unit (ALU) supports arithmetic and logic operations between working registers, or between a constant and a working register. Also, single-register operations can be executed.

The ALU operates in a direct connection with all the 32 general purpose working registers in the register file. The arithmetic operations between working registers or between a working register and an immediate operand are executed in a single clock cycle, and the result is stored in the register file. After an arithmetic or logic operation, the Status Register (CPU.SREG) is updated to reflect information about the result of the operation.

ALU operations are divided into three main categories – arithmetic, logical, and bit functions. Both 8- and 16-bit arithmetic are supported, and the instruction set allows for an efficient implementation of the 32-bit arithmetic. The hardware multiplier supports signed and unsigned multiplication and fractional formats.

### 6.4.1 Hardware Multiplier

The multiplier is capable of multiplying two 8-bit numbers into a 16-bit result. The hardware multiplier supports different variations of signed and unsigned integer and fractional numbers:

- Multiplication of signed/unsigned integers
- Multiplication of signed/unsigned fractional numbers
- Multiplication of a signed integer with an unsigned integer
- Multiplication of a signed fractional number with an unsigned fractional number

A multiplication takes two CPU clock cycles.

## 6.5 Functional Description

### 6.5.1 Program Flow

After being reset, the CPU will execute instructions from the lowest address in the Flash program memory, 0x0000. The Program Counter (PC) addresses the next instruction to be fetched.

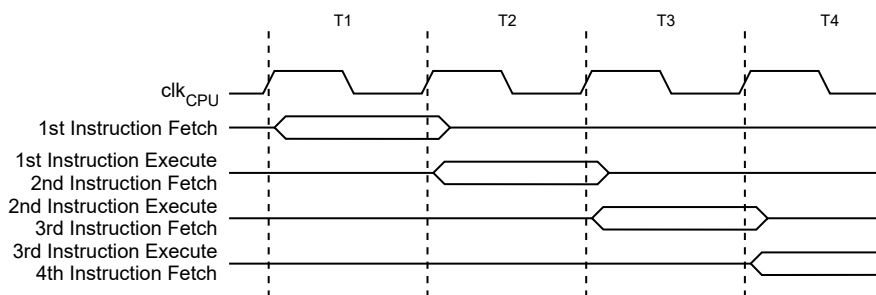
The CPU supports instructions that can change the program flow conditionally or unconditionally and are capable of addressing the whole address space directly. Most AVR instructions use a 16-bit word format, and a limited number use a 32-bit format.

During interrupts and subroutine calls, the return address PC is stored on the stack as a word pointer. The stack is allocated in the general data SRAM, and consequently, the stack size is only limited by the total SRAM size and the usage of the SRAM. After the Stack Pointer (SP) is reset, it points to the highest address in the internal SRAM. The SP is read/write accessible in the I/O memory space, enabling easy implementation of multiple stacks or stack areas. The data SRAM can easily be accessed through the five different Addressing modes supported by the AVR CPU.

### 6.5.2 Instruction Execution Timing

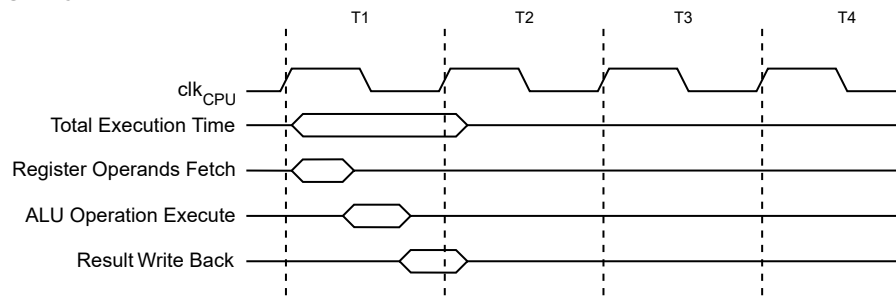
The AVR CPU is clocked by the CPU clock, CLK\_CPU. No internal clock division is applied. The figure below shows the parallel instruction fetches and executions enabled by the Harvard architecture and the fast-access register file concept. This is the basic pipelining concept enabling up to 1 MIPS/MHz performance with high efficiency.

**Figure 6-2. The Parallel Instruction Fetches and Executions**



The following figure shows the internal timing concept for the register file. In a single clock cycle, an ALU operation using two register operands is executed, and the result is stored in the destination register.

Figure 6-3. Single Cycle ALU Operation



### 6.5.3 Status Register

The Status Register (CPU.SREG) contains information about the result of the most recently executed arithmetic or logic instructions. This information can be used for altering the program flow to perform conditional operations.

CPU.SREG is updated after all ALU operations, as specified in the *Instruction Set Summary* section. This will, in many cases, remove the need for using the dedicated compare instructions, resulting in a faster and more compact code. CPU.SREG is not automatically stored or restored when entering or returning from an Interrupt Service Routine (ISR). Therefore, maintaining the Status Register between context switches must be handled by user-defined software. CPU.SREG is accessible in the I/O memory space.

### 6.5.4 Stack and Stack Pointer

The stack is used for storing return addresses after interrupts and subroutine calls. Also, it can be used for storing temporary data. The Stack Pointer (SP) always points to the top of the stack. The address pointed to by the SP is stored in the Stack Pointer (CPU.SP) register. The CPU.SP is implemented as two 8-bit registers that are accessible in the I/O memory space.

Data are pushed and popped from the stack using the instructions given in [Table 6-1](#), or by executing interrupts. The stack grows from higher to lower memory locations. This means that when pushing data onto the stack, the SP decreases, and when popping data off the stack, the SP increases. The SP is automatically set to the highest address of the internal SRAM after being reset. If the stack is changed, it must be set to point above the SRAM start address (see the *SRAM Data Memory* topic in the *Memories* section for the SRAM start address), and it must be defined before any subroutine calls are executed and before interrupts are enabled. See the table below for SP details.

Table 6-1. Stack Pointer Instructions

| Instruction            | Stack Pointer  | Description  |
|------------------------|----------------|--|
| PUSH                   | Decrement by 1 | Data are pushed onto the stack   |
| CALL<br>ICALL<br>RCALL | Decrement by 2 | A return address is pushed onto the stack with a subroutine call or interrupt                    |
| POP                    | Increment by 1 | Data are popped from the stack   |
| RET<br>RETI            | Increment by 2 | A return address is popped from the stack with a return from subroutine or return from interrupt |

During interrupts or subroutine calls, the return address is automatically pushed on the stack as a word, and the SP is decremented by two. The return address consists of two bytes and the Least Significant Byte (LSB) is pushed on the stack first (at the higher address). As an example, a byte pointer return address of 0x0006 is saved on the stack as 0x0003 (shifted one bit to the right), pointing to the fourth 16-bit instruction word in the program memory. The return address is popped off the stack with `RETI` (when returning from interrupts) and `RET` (when returning from subroutine calls), and the SP is incremented by two.

The SP is decremented by one when data are pushed on the stack with the `PUSH` instruction, and incremented by one when data are popped off the stack using the `POP` instruction.

To prevent corruption when updating the SP from software, a write to SPL will automatically disable interrupts for up to four instructions or until the next I/O memory write, whichever comes first.

### 6.5.5 Register File

The register file consists of 32 8-bit general purpose working registers used by the CPU. The register file is located in a separate address space from the data memory.

All CPU instructions that operate on working registers have direct and single-cycle access to the register file. Some limitations apply to which working registers can be accessed by an instruction, like the constant arithmetic and logic instructions `SBCI`, `SUBI`, `CPI`, `ANDI`, `ORI` and `LDI`. These instructions apply to the second half of the working registers in the register file, R16 to R31. See the *AVR Instruction Set Manual* for further details.

**Figure 6-4. AVR<sup>®</sup> CPU General Purpose Working Registers**

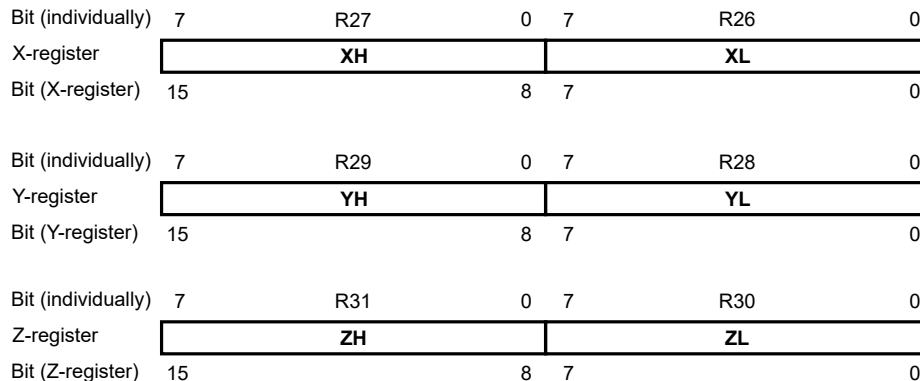
| 7   | 0 | Addr. |                      |
|-----|---|-------|----------------------|
| R0  |   | 0x00  |                      |
| R1  |   | 0x01  |                      |
| R2  |   | 0x02  |                      |
| ... |   |       |                      |
| R13 |   | 0x0D  |                      |
| R14 |   | 0x0E  |                      |
| R15 |   | 0x0F  |                      |
| R16 |   | 0x10  |                      |
| R17 |   | 0x11  |                      |
| ... |   |       |                      |
| R26 |   | 0x1A  | X-register Low Byte  |
| R27 |   | 0x1B  | X-register High Byte |
| R28 |   | 0x1C  | Y-register Low Byte  |
| R29 |   | 0x1D  | Y-register High Byte |
| R30 |   | 0x1E  | Z-register Low Byte  |
| R31 |   | 0x1F  | Z-register High Byte |

#### 6.5.5.1 The X-, Y-, and Z-Registers

Working registers R26...R31 have added functions besides their general purpose usage.

These registers can form 16-bit Address Pointers for indirect addressing of data memory. These three address registers are called the X-register, Y-register, and Z-register. The Z-register can also be used as Address Pointer for program memory.

**Figure 6-5. The X-, Y-, and Z-Registers**

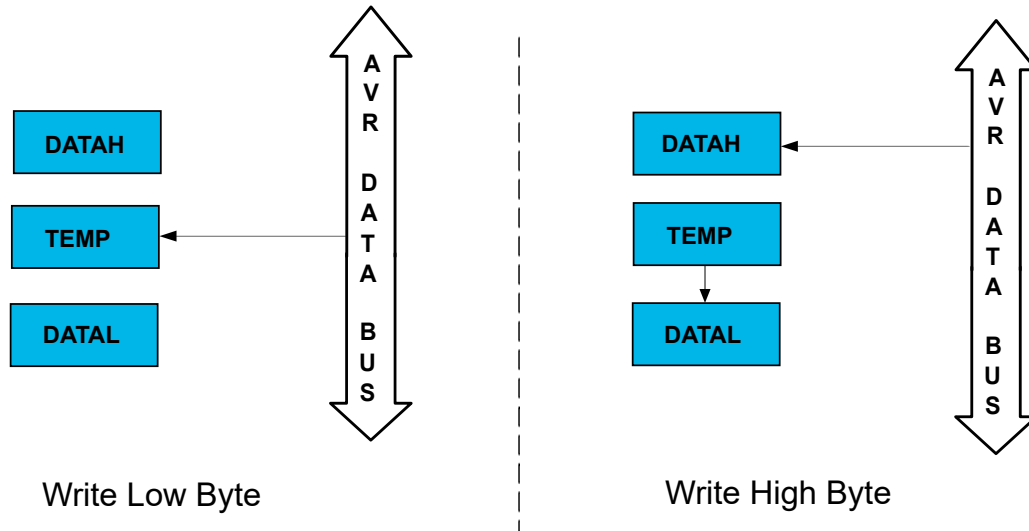


The lowest register address holds the Least Significant Byte (LSB), and the highest register address holds the Most Significant Byte (MSB). These address registers can function as fixed displacement, automatic increment, and automatic decrement, with different `LD*/ST*` instructions. See the *Instruction Set Summary* section for details.

### 6.5.6 Accessing 16-Bit Registers

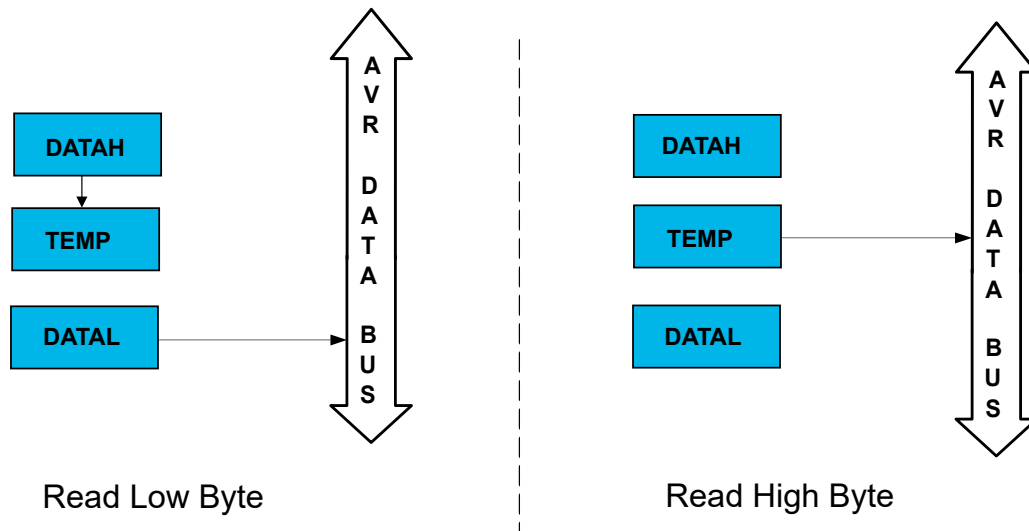
Most of the registers for the ATmega4808/4809 devices are 8-bit registers, but the devices also feature a few 16-bit registers. As the AVR data bus has a width of eight bits, accessing the 16-bit requires two read or write operations. All the 16-bit registers of the ATmega4808/4809 devices are connected to the 8-bit bus through a temporary (TEMP) register.

Figure 6-6. 16-Bit Register Write Operation



For a 16-bit write operation, the low byte register (e.g., DATAL) of the 16-bit register must be written before the high byte register (e.g., DATAH). Writing the low byte register will result in a write to the temporary (TEMP) register instead of the low byte register, as shown in the left side of the figure above. When the high byte register of the 16-bit register is written, TEMP will be copied into the low byte of the 16-bit register in the same clock cycle, as shown on the right side of the same figure.

Figure 6-7. 16-Bit Register Read Operation



For a 16-bit read operation, the low byte register (e.g., DATAL) of the 16-bit register must be read before the high byte register (e.g., DATAH). When the low byte register is read, the high byte register of the 16-bit register is copied into the temporary (TEMP) register in the same clock cycle, as shown on the left side of the figure above. Reading the high byte register will result in a read from TEMP instead of the high byte register, as shown on the right side of the same figure.

The described mechanism ensures that the low and high bytes of 16-bit registers are always accessed simultaneously when reading or writing the registers.

Interrupts can corrupt the timed sequence if an interrupt is triggered during a 16-bit read/write operation, and a 16-bit register within the same peripheral is accessed in the interrupt service routine. To prevent this, interrupts should be disabled when writing or reading 16-bit registers. Alternatively, the temporary register can be read before and restored after the 16-bit access in the interrupt service routine.

### 6.5.7 Configuration Change Protection (CCP)

System critical I/O register settings are protected from accidental modification. Flash self-programming (via store to NVM controller) is protected from accidental execution. This is handled globally by the Configuration Change Protection (CCP) register.

Changes to the protected I/O registers or bits, or execution of protected instructions, are only possible after the CPU writes a signature to the CCP register. The different signatures are listed in the description of the CCP register (CPU.CCP).

There are two modes of operation: One for protected I/O registers, and one for protected self-programming.

#### 6.5.7.1 Sequence for Write Operation to Configuration Change Protected I/O Registers

In order to write to registers protected by CCP, these steps are required:

1. The software writes the signature that enables change of protected I/O registers to the CCP bit field in the CPU.CCP register.
2. Within four instructions, the software must write the appropriate data to the protected register. Most protected registers also contain a Write Enable/Change Enable/Lock bit. This bit must be written to '1' in the same operation as the data are written.



---

---

The protected change is immediately disabled if the CPU performs write operations to the I/O register or data memory, if load or store accesses to Flash, NVMCTRL, or EEPROM are conducted, or if the `SLEEP` instruction is executed.

### 6.5.7.2 Sequence for Execution of Self-Programming

In order to execute self-programming (the execution of writes to the NVM controller's command register), the following steps are required:

1. The software temporarily enables self-programming by writing the SPM signature to the CCP register (CPU.CCP).
2. Within four instructions, the software must execute the appropriate instruction. The protected change is immediately disabled if the CPU performs accesses to the Flash, NVMCTRL, or EEPROM, or if the `SLEEP` instruction is executed.

Once the correct signature is written by the CPU, interrupts will be ignored for the duration of the configuration change enable period. Any interrupt request (including non-maskable interrupts) during the CCP period will set the corresponding Interrupt flag as normal, and the request is kept pending. After the CCP period is completed, any pending interrupts are executed according to their level and priority.

### 6.5.8 On-Chip Debug Capabilities

The AVR CPU includes native On-Chip Debug (OCD) support. It includes some powerful debug capabilities to enable profiling and detailed information about the CPU state. It is possible to alter the CPU state and resume code execution. Also, normal debug capabilities like hardware Program Counter breakpoints, breakpoints on change of flow instructions, breakpoints on interrupts, and software breakpoints (`BREAK` instruction) are present. Refer to the *Unified Program and Debug Interface* section for details about OCD.

### 6.6 Register Summary

| Offset      | Name     | Bit Pos. | 7        | 6 | 5 | 4 | 3 | 2 | 1 | 0 |
|-------------|----------|----------|----------|---|---|---|---|---|---|---|
| 0x00<br>... | Reserved |          |          |   |   |   |   |   |   |   |
| 0x03        |          |          |          |   |   |   |   |   |   |   |
| 0x04        | CCP      | 7:0      | CCP[7:0] |   |   |   |   |   |   |   |
| 0x05<br>... | Reserved |          |          |   |   |   |   |   |   |   |
| 0x0C        |          |          |          |   |   |   |   |   |   |   |
| 0x0D        | SP       | 7:0      | SP[7:0]  |   |   |   |   |   |   |   |
|             |          | 15:8     | SP[15:8] |   |   |   |   |   |   |   |
| 0x0F        | SREG     | 7:0      | I        | T | H | S | V | N | Z | C |

### 6.7 Register Description

### 6.7.1 Configuration Change Protection

**Name:** CCP  
**Offset:** 0x04  
**Reset:** 0x00  
**Property:** -

|        |          |     |     |     |     |     |     |     |
|--------|----------|-----|-----|-----|-----|-----|-----|-----|
| Bit    | 7        | 6   | 5   | 4   | 3   | 2   | 1   | 0   |
|        | CCP[7:0] |     |     |     |     |     |     |     |
| Access | R/W      | R/W | R/W | R/W | R/W | R/W | R/W | R/W |
| Reset  | 0        | 0   | 0   | 0   | 0   | 0   | 0   | 0   |

#### Bits 7:0 – CCP[7:0] Configuration Change Protection

Writing the correct signature to this bit field allows changing protected I/O registers or executing protected instructions within the next four CPU instructions executed.

All interrupts are ignored during these cycles. After these cycles are completed, the interrupts will automatically be handled again by the CPU, and any pending interrupts will be executed according to their level and priority.

When the protected I/O register signature is written, CCP[0] will read as '1' as long as the CCP feature is enabled.

When the protected self-programming signature is written, CCP[1] will read as '1' as long as the CCP feature is enabled.

CCP[7:2] will always read as '0'.

| Value | Name  | Description                    |
|-------|-------|--------------------------------|
| 0x9D  | SPM   | Allow Self-Programming         |
| 0xD8  | IOREG | Unlock protected I/O registers |

### 6.7.2 Stack Pointer

**Name:** SP  
**Offset:** 0x0D  
**Reset:** Top of stack  
**Property:** -

The CPU.SP register holds the Stack Pointer (SP) that points to the top of the stack. After being reset, the SP points to the highest internal SRAM address.

Only the number of bits required to address the available data memory, including external memory (up to 64 KB), is implemented for each device. Unused bits will always read as '0'.

The CPU.SPL and CPU.SPH register pair represents the 16-bit value, CPU.SP. The low byte [7:0] (suffix L) is accessible at the original offset. The high byte [15:8] (suffix H) can be accessed at offset + 0x01.

To prevent corruption when updating the SP from software, a write to CPU.SPL will automatically disable interrupts for the next four instructions or until the next I/O memory write, whichever comes first.

|        |          |     |     |     |     |     |     |     |
|--------|----------|-----|-----|-----|-----|-----|-----|-----|
| Bit    | 15       | 14  | 13  | 12  | 11  | 10  | 9   | 8   |
|        | SP[15:8] |     |     |     |     |     |     |     |
| Access | R/W      | R/W | R/W | R/W | R/W | R/W | R/W | R/W |
| Reset  |          |     |     |     |     |     |     |     |
|        |          |     |     |     |     |     |     |     |
| Bit    | 7        | 6   | 5   | 4   | 3   | 2   | 1   | 0   |
|        | SP[7:0]  |     |     |     |     |     |     |     |
| Access | R/W      | R/W | R/W | R/W | R/W | R/W | R/W | R/W |
| Reset  |          |     |     |     |     |     |     |     |

**Bits 15:8 – SP[15:8]** Stack Pointer High Byte  
 These bits hold the MSB of the 16-bit register.

**Bits 7:0 – SP[7:0]** Stack Pointer Low Byte  
 These bits hold the LSB of the 16-bit register.

### 6.7.3 Status Register

**Name:** SREG  
**Offset:** 0x0F  
**Reset:** 0x00  
**Property:** -

The Status Register contains information about the result of the most recently executed arithmetic or logic instructions. For details about the bits in this register and how they are influenced by different instructions, see the *Instruction Set Summary* section.

| Bit    | 7   | 6   | 5   | 4   | 3   | 2   | 1   | 0   |
|--------|-----|-----|-----|-----|-----|-----|-----|-----|
|        | I   | T   | H   | S   | V   | N   | Z   | C   |
| Access | R/W | R/W | R/W | R/W | R/W | R/W | R/W | R/W |
| Reset  | 0   | 0   | 0   | 0   | 0   | 0   | 0   | 0   |

#### Bit 7 – I Global Interrupt Enable Bit

Writing a '1' to this bit enables interrupts on the device.

Writing a '0' to this bit disables interrupts on the device, independent of the individual interrupt enable settings of the peripherals.

This bit is not cleared by hardware while entering an Interrupt Service Routine (ISR) or set when the `RETI` instruction is executed.

This bit can be set and cleared by software with the `SEI` and `CLI` instructions.

Changing the I bit through the I/O register results in a one-cycle Wait state on the access.

#### Bit 6 – T Transfer Bit

The bit copy instructions, Bit Load (`BLD`) and Bit Store (`BST`), use the T bit as source or destination for the operated bit.

#### Bit 5 – H Half Carry Flag

This flag is set when there is a half carry in arithmetic operations that support this, and is cleared otherwise. Half carry is useful in BCD arithmetic.

#### Bit 4 – S Sign Flag

This flag is always an Exclusive Or (*XOR*) between the Negative flag (N) and the Two's Complement Overflow flag (V).

#### Bit 3 – V Two's Complement Overflow Flag

This flag is set when there is an overflow in arithmetic operations that support this, and is cleared otherwise.

#### Bit 2 – N Negative Flag

This flag is set when there is a negative result in an arithmetic or logic operation, and is cleared otherwise.

#### Bit 1 – Z Zero Flag

This flag is set when there is a zero result in an arithmetic or logic operation, and is cleared otherwise.

#### Bit 0 – C Carry Flag

This flag is set when there is a carry in an arithmetic or logic operation, and is cleared otherwise.

## 7. Memories

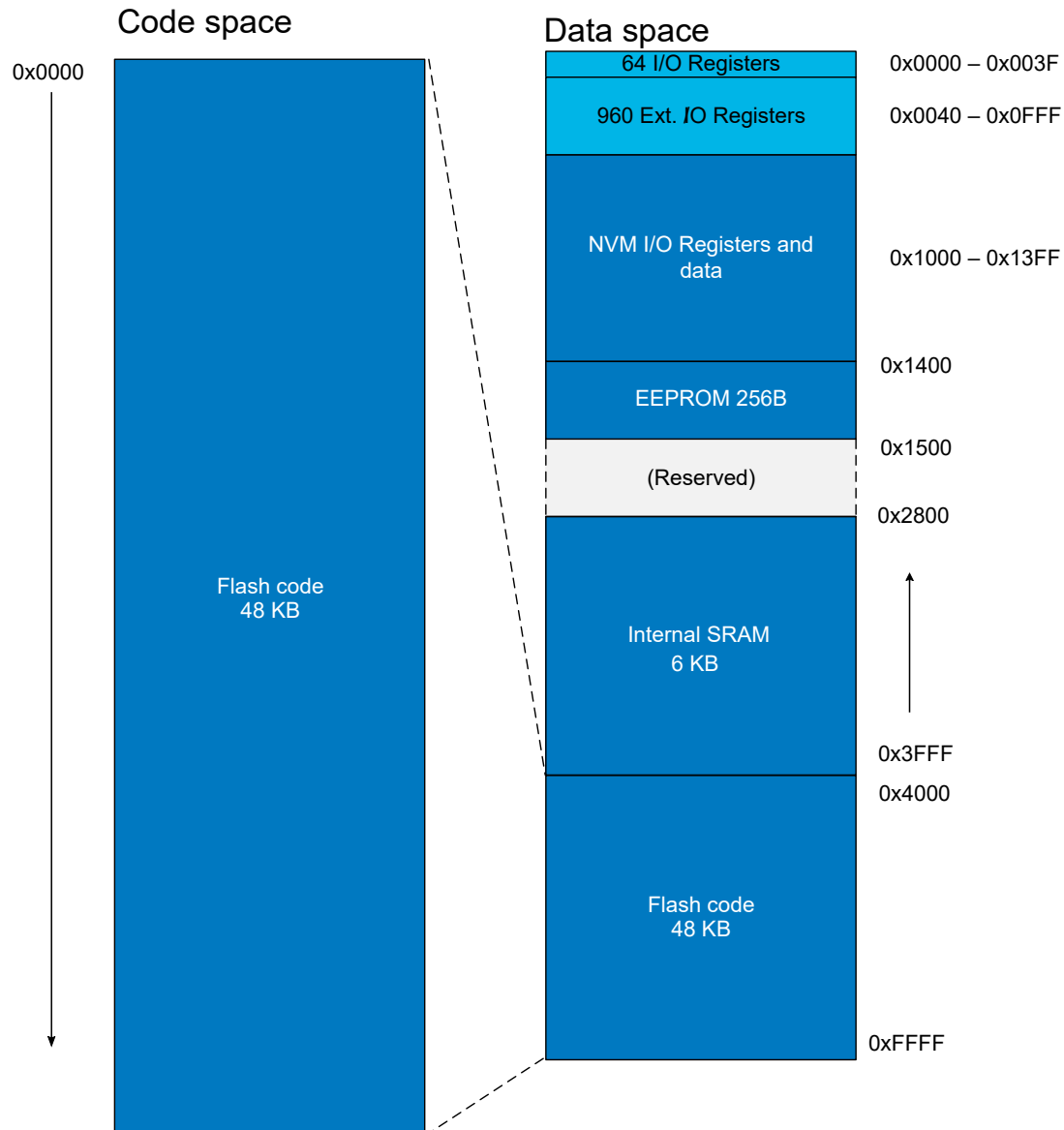
### 7.1 Overview

The main memories of the ATmega4808/4809 are SRAM data memory, EEPROM data memory, and Flash program memory. Also, the peripheral registers are located in the I/O memory space.

### 7.2 Memory Map

The figure below shows the memory map for the largest device in the megaAVR 0-series. Refer to the subsequent subsections for details on memory sizes and start addresses for devices with smaller memory sizes.

Figure 7-1. Memory Map: Flash 48 KB, Internal SRAM 6 KB, EEPROM 256B



### 7.3 In-System Reprogrammable Flash Program Memory

The ATmega4808/4809 contains 48 KB On-Chip In-System Reprogrammable Flash memory for program storage. Since all AVR instructions are 16 or 32 bits wide, the Flash is organized with a 16-bit data width. For write protection, the Flash program memory space can be divided into three sections: Bootloader section, application code section, and application data section. Code placed in one section may be restricted from writing to addresses in other sections. See the NVMCTRL documentation for more details.

The Program Counter can address the whole program memory. The procedure for writing Flash memory is described in detail in the documentation of the Nonvolatile Memory Controller (NVMCTRL) peripheral.

The Flash memory is mapped into the data space and is accessible with normal `LD/ST` instructions. For `LD/ST` instructions, the Flash is mapped from address `0x4000`. The Flash memory can be read with the `LPM` instruction. For the `LPM` instruction, the Flash start address is `0x0000`.

The ATmega4808/4809 has a CRC module that is a host on the bus.

**Table 7-1. Physical Properties of Flash Memory**

| Property                    | ATmega4808 ATmega4809 |
|-----------------------------|-----------------------|
| Size                        | 48 KB                 |
| Page size                   | 128B                  |
| Number of pages             | 384                   |
| Start address in Data Space | 0x4000                |
| Start address in Code Space | 0x0000                |

## 7.4 SRAM Data Memory

The primary task of the SRAM memory is to store application data. It is not possible to execute code from SRAM.

**Table 7-2. Physical Properties of SRAM**

| Property      | ATmega4808 ATmega4809 |
|---------------|-----------------------|
| Size          | 6 KB                  |
| Start address | 0x2800                |

## 7.5 EEPROM Data Memory

The primary task of the EEPROM memory is to store nonvolatile application data. The EEPROM memory supports single-byte read and write. The EEPROM is controlled by the Nonvolatile Memory Controller (NVMCTRL).

**Table 7-3. Physical Properties of EEPROM**

| Property        | ATmega4808 ATmega4809 |
|-----------------|-----------------------|
| Size            | 256B                  |
| Page size       | 64B                   |
| Number of pages | 4                     |
| Start address   | 0x1400                |

## 7.6 User Row (USERROW)

In addition to the EEPROM, the ATmega4808/4809 has one extra page of EEPROM memory that can be used for firmware settings, the User Row (USERROW). This memory supports single-byte read and write as the normal EEPROM. The CPU can write and read this memory as normal EEPROM, and the UPDI can write and read it as a normal EEPROM memory if the part is unlocked. The User Row can also be written by the UPDI when the part is locked. USERROW is not affected by a chip erase. The USERROW can be used for the final configuration without having programming or debugging capabilities enabled.

## 7.7 Signature Row (SIGROW)

The content of the Signature Row fuses (SIGROW) is preprogrammed and cannot be altered. SIGROW holds information such as device ID, serial number, and factory calibration values.



All AVR microcontrollers have a three-byte device ID that identifies the device. This device ID can be read in both serial and parallel mode, also when the device is locked. The three bytes reside in the Signature Row. The signature bytes are given in the following table.

**Table 7-4. Device ID**

| Device Name | Signature Bytes Address |      |      |
|-------------|-------------------------|------|------|
|             | 0x00                    | 0x01 | 0x02 |
| ATmega4809  | 0x1E                    | 0x96 | 0x51 |
| ATmega4808  | 0x1E                    | 0x96 | 0x50 |

### 7.7.1 Signature Row Summary

| Offset              | Name       | Bit Pos. | 7 | 6 | 5 | 4 | 3 | 2 | 1 | 0                  |
|---------------------|------------|----------|---|---|---|---|---|---|---|--------------------|
| 0x00                | DEVICEID0  | 7:0      |   |   |   |   |   |   |   | DEVICEID[7:0]      |
| 0x01                | DEVICEID1  | 7:0      |   |   |   |   |   |   |   | DEVICEID[7:0]      |
| 0x02                | DEVICEID2  | 7:0      |   |   |   |   |   |   |   | DEVICEID[7:0]      |
| 0x03                | SERNUM0    | 7:0      |   |   |   |   |   |   |   | SERNUM[7:0]        |
| 0x04                | SERNUM1    | 7:0      |   |   |   |   |   |   |   | SERNUM[7:0]        |
| 0x05                | SERNUM2    | 7:0      |   |   |   |   |   |   |   | SERNUM[7:0]        |
| 0x06                | SERNUM3    | 7:0      |   |   |   |   |   |   |   | SERNUM[7:0]        |
| 0x07                | SERNUM4    | 7:0      |   |   |   |   |   |   |   | SERNUM[7:0]        |
| 0x08                | SERNUM5    | 7:0      |   |   |   |   |   |   |   | SERNUM[7:0]        |
| 0x09                | SERNUM6    | 7:0      |   |   |   |   |   |   |   | SERNUM[7:0]        |
| 0x0A                | SERNUM7    | 7:0      |   |   |   |   |   |   |   | SERNUM[7:0]        |
| 0x0B                | SERNUM8    | 7:0      |   |   |   |   |   |   |   | SERNUM[7:0]        |
| 0x0C                | SERNUM9    | 7:0      |   |   |   |   |   |   |   | SERNUM[7:0]        |
| 0x0D<br>...<br>0x17 | Reserved   |          |   |   |   |   |   |   |   |                    |
| 0x18                | OSCCAL16M0 | 7:0      |   |   |   |   |   |   |   | OSCCAL16M[6:0]     |
| 0x19                | OSCCAL16M1 | 7:0      |   |   |   |   |   |   |   | OSCCAL16MTCAL[3:0] |
| 0x1A                | OSCCAL20M0 | 7:0      |   |   |   |   |   |   |   | OSCCAL20M[6:0]     |
| 0x1B                | OSCCAL20M1 | 7:0      |   |   |   |   |   |   |   | OSCCAL20MTCAL[3:0] |
| 0x1C<br>...<br>0x1F | Reserved   |          |   |   |   |   |   |   |   |                    |
| 0x20                | TEMPSENSE0 | 7:0      |   |   |   |   |   |   |   | TEMPSENSE[7:0]     |
| 0x21                | TEMPSENSE1 | 7:0      |   |   |   |   |   |   |   | TEMPSENSE[7:0]     |
| 0x22                | OSC16ERR3V | 7:0      |   |   |   |   |   |   |   | OSC16ERR3V[7:0]    |
| 0x23                | OSC16ERR5V | 7:0      |   |   |   |   |   |   |   | OSC16ERR5V[7:0]    |
| 0x24                | OSC20ERR3V | 7:0      |   |   |   |   |   |   |   | OSC20ERR3V[7:0]    |
| 0x25                | OSC20ERR5V | 7:0      |   |   |   |   |   |   |   | OSC20ERR5V[7:0]    |

### 7.7.2 Signature Row Description

### 7.7.2.1 Device ID n

**Name:** DEVICEIDn  
**Offset:** 0x00 + n\*0x01 [n=0..2]  
**Reset:** [Device ID]  
**Property:** -

Each device has a device ID identifying the device and its properties; such as memory sizes, pin count, and die revision. This can be used to identify a device and hence, the available features by software. The Device ID consists of three bytes: SIGROW.DEVICEID[2:0].

| Bit    | 7             | 6 | 5 | 4 | 3 | 2 | 1 | 0 |
|--------|---------------|---|---|---|---|---|---|---|
|        | DEVICEID[7:0] |   |   |   |   |   |   |   |
| Access | R             | R | R | R | R | R | R | R |
| Reset  | x             | x | x | x | x | x | x | x |

**Bits 7:0 – DEVICEID[7:0]** Byte n of the Device ID

### 7.7.2.2 Serial Number Byte n

**Name:** SERNUMn  
**Offset:** 0x03 + n\*0x01 [n=0..9]  
**Reset:** [device serial number]  
**Property:** -

Each device has an individual serial number, representing a unique ID. This can be used to identify a specific device in the field. The serial number consists of ten bytes: SIGROW.SERNUM[9:0].

| Bit    | 7           | 6 | 5 | 4 | 3 | 2 | 1 | 0 |
|--------|-------------|---|---|---|---|---|---|---|
|        | SERNUM[7:0] |   |   |   |   |   |   |   |
| Access | R           | R | R | R | R | R | R | R |
| Reset  | x           | x | x | x | x | x | x | x |

**Bits 7:0 – SERNUM[7:0]** Serial Number Byte n

### 7.7.2.3 OSC16 Calibration byte

**Name:** OSCCAL16M0  
**Offset:** 0x18  
**Reset:** [Factory oscillator calibration value]  
**Property:** -

| Bit    | 7              | 6 | 5 | 4 | 3 | 2 | 1 | 0 |
|--------|----------------|---|---|---|---|---|---|---|
|        | OSCCAL16M[6:0] |   |   |   |   |   |   |   |
| Access |                | R | R | R | R | R | R | R |
| Reset  |                | x | x | x | x | x | x | x |

**Bits 6:0 – OSCCAL16M[6:0]** OSC16 Calibration

These bits contains factory calibration values for the internal 16 MHz oscillator. If the OSCCFG fuse is configured to run the device at 16 MHz, this byte is automatically copied to the OSC20MCALIBA register during Reset to calibrate the internal 16 MHz RC Oscillator.

### 7.7.2.4 OSC16 Temperature Calibration byte

**Name:** OSCCAL16M1  
**Offset:** 0x19  
**Reset:** [Factory oscillator temperature calibration value]  
**Property:** -

| Bit    | 7 | 6 | 5 | 4 | 3                  | 2 | 1 | 0 |
|--------|---|---|---|---|--------------------|---|---|---|
|        |   |   |   |   | OSCCAL16MTCAL[3:0] |   |   |   |
| Access |   |   |   |   | R                  | R | R | R |
| Reset  |   |   |   |   | x                  | x | x | x |

**Bits 3:0 – OSCCAL16MTCAL[3:0]** OSC16 Temperature Calibration

These bits contain factory temperature calibration values for the internal 16 MHz oscillator. If the OSCCFG fuse is configured to run the device at 16 MHz, this byte is automatically written into the OSC20MCALIBB register during Reset to ensure correct frequency of the calibrated RC Oscillator.

### 7.7.2.5 OSC20 Calibration byte

**Name:** OSCCAL20M0  
**Offset:** 0x1A  
**Reset:** [Factory oscillator calibration value]  
**Property:** -

| Bit    | 7              | 6 | 5 | 4 | 3 | 2 | 1 | 0 |
|--------|----------------|---|---|---|---|---|---|---|
|        | OSCCAL20M[6:0] |   |   |   |   |   |   |   |
| Access |                | R | R | R | R | R | R | R |
| Reset  |                | x | x | x | x | x | x | x |

**Bits 6:0 – OSCCAL20M[6:0]** OSC20 Calibration

These bits contain factory calibration values for the internal 20 MHz oscillator. If the OSCCFG fuse is configured to run the device at 20 MHz, this byte is automatically written into the OSC20MCALIBA register during Reset to ensure correct frequency of the calibrated RC Oscillator.

### 7.7.2.6 OSC20 Temperature Calibration byte

**Name:** OSCCAL20M1  
**Offset:** 0x1B  
**Reset:** [Factory oscillator temperature calibration value]  
**Property:** -

| Bit    | 7 | 6 | 5 | 4 | 3                  | 2 | 1 | 0 |
|--------|---|---|---|---|--------------------|---|---|---|
|        |   |   |   |   | OSCCAL20MTCAL[3:0] |   |   |   |
| Access |   |   |   |   | R                  | R | R | R |
| Reset  |   |   |   |   | x                  | x | x | x |

**Bits 3:0 – OSCCAL20MTCAL[3:0]** OSC20 Temperature Calibration

These bits contain factory temperature calibration values for the internal 20 MHz oscillator. If the OSCCFG fuse is configured to run the device at 20 MHz, this byte is automatically written into the OSC20MCALIBB register during Reset to ensure correct frequency of the calibrated RC Oscillator.



### 7.7.2.7 Temperature Sensor Calibration n

**Name:**        TEMPSENSEn  
**Offset:**       0x20 + n\*0x01 [n=0..1]  
**Reset:**        [Temperature sensor calibration value]  
**Property:**     -

These bytes contain correction factors for temperature measurements by the ADC. SIGROW.TEMPSENSE0 is a correction factor for the gain/slope (unsigned), and SIGROW.TEMPSENSE1 is a correction factor for the offset (signed).

| Bit    | 7              | 6 | 5 | 4 | 3 | 2 | 1 | 0 |
|--------|----------------|---|---|---|---|---|---|---|
|        | TEMPSENSE[7:0] |   |   |   |   |   |   |   |
| Access | R              | R | R | R | R | R | R | R |
| Reset  | x              | x | x | x | x | x | x | x |

**Bits 7:0 – TEMPSENSE[7:0]** Temperature Sensor Calibration Byte n  
 Refer to the ADC section for a description of how to use this register.

### 7.7.2.8 OSC16 Error at 3V

**Name:** OSC16ERR3V  
**Offset:** 0x22  
**Reset:** [Oscillator frequency error value]  
**Property:** -

| Bit    | 7               | 6 | 5 | 4 | 3 | 2 | 1 | 0 |
|--------|-----------------|---|---|---|---|---|---|---|
|        | OSC16ERR3V[7:0] |   |   |   |   |   |   |   |
| Access | R               | R | R | R | R | R | R | R |
| Reset  | x               | x | x | x | x | x | x | x |

**Bits 7:0 – OSC16ERR3V[7:0]** OSC16 Error at 3V

This byte contains the signed oscillator frequency error value when running at internal 16 MHz at 3V, as measured during production.

### 7.7.2.9 OSC16 Error at 5V

**Name:** OSC16ERR5V  
**Offset:** 0x23  
**Reset:** [Oscillator frequency error value]  
**Property:** -

| Bit    | 7               | 6 | 5 | 4 | 3 | 2 | 1 | 0 |
|--------|-----------------|---|---|---|---|---|---|---|
|        | OSC16ERR5V[7:0] |   |   |   |   |   |   |   |
| Access | R               | R | R | R | R | R | R | R |
| Reset  | x               | x | x | x | x | x | x | x |

**Bits 7:0 – OSC16ERR5V[7:0]** OSC16 Error at 5V

This byte contains the signed oscillator frequency error value when running at internal 16 MHz at 5V, as measured during production.

### 7.7.2.10 OSC20 Error at 3V

**Name:** OSC20ERR3V  
**Offset:** 0x24  
**Reset:** [Oscillator frequency error value]  
**Property:** -

| Bit    | 7               | 6 | 5 | 4 | 3 | 2 | 1 | 0 |
|--------|-----------------|---|---|---|---|---|---|---|
|        | OSC20ERR3V[7:0] |   |   |   |   |   |   |   |
| Access | R               | R | R | R | R | R | R | R |
| Reset  | x               | x | x | x | x | x | x | x |

**Bits 7:0 – OSC20ERR3V[7:0]** OSC20 Error at 3V

This byte contains the signed oscillator frequency error value when running at internal 20 MHz at 3V, as measured during production.

### 7.7.2.11 OSC20 Error at 5V

**Name:** OSC20ERR5V  
**Offset:** 0x25  
**Reset:** [Oscillator frequency error value]  
**Property:** -

| Bit    | 7               | 6 | 5 | 4 | 3 | 2 | 1 | 0 |
|--------|-----------------|---|---|---|---|---|---|---|
|        | OSC20ERR5V[7:0] |   |   |   |   |   |   |   |
| Access | R               | R | R | R | R | R | R | R |
| Reset  | x               | x | x | x | x | x | x | x |

#### Bits 7:0 – OSC20ERR5V[7:0] OSC20 Error at 5V

This byte contains the signed oscillator frequency error value when running at internal 20 MHz at 5V, as measured during production.

## 7.8 Fuses (FUSE)

Fuses hold the device configuration and are a part of the nonvolatile memory. The fuses are available from device power-up. The fuses can be read by the CPU or the UPDI but can only be programmed or cleared by the UPDI. The configuration values stored in the fuses are copied to their respective target registers at the end of the start-up sequence.

The fuses are preprogrammed but can be altered by the user. Altered fuse values will be effective only after a Reset.

**Note:** All reserved bits must be written to '1' when writing the fuses.

### 7.8.1 Fuse Summary - FUSE

| Offset | Name     | Bit Pos. | 7            | 6 | 5        | 4           | 3           | 2            | 1      | 0 |
|--------|----------|----------|--------------|---|----------|-------------|-------------|--------------|--------|---|
| 0x00   | WDTCFG   | 7:0      | WINDOW[3:0]  |   |          |             | PERIOD[3:0] |              |        |   |
| 0x01   | BODCFG   | 7:0      | LVL[2:0]     |   | SAMPFREQ | ACTIVE[1:0] |             | SLEEP[1:0]   |        |   |
| 0x02   | OSCCFG   | 7:0      | OSCCLOCK     |   |          |             |             | FREQSEL[1:0] |        |   |
| 0x03   | Reserved |          |              |   |          |             |             |              |        |   |
| 0x04   |          |          |              |   |          |             |             |              |        |   |
| 0x05   | SYSCFG0  | 7:0      | CRCSRC[1:0]  |   |          | RSTPINCFG   |             |              | EESAVE |   |
| 0x06   | SYSCFG1  | 7:0      |              |   |          |             | SUT[2:0]    |              |        |   |
| 0x07   | APPEND   | 7:0      | APPEND[7:0]  |   |          |             |             |              |        |   |
| 0x08   | BOOTEND  | 7:0      | BOOTEND[7:0] |   |          |             |             |              |        |   |
| 0x09   | Reserved |          |              |   |          |             |             |              |        |   |
| 0x0A   | LOCKBIT  | 7:0      | LOCKBIT[7:0] |   |          |             |             |              |        |   |

### 7.8.2 Fuse Description

### 7.8.2.1 Watchdog Configuration

**Name:** WDTCFG  
**Offset:** 0x00  
**Default:** 0x00  
**Property:** -

The default value given in this fuse description is the factory-programmed value and should not be mistaken for the Reset value.

| Bit     | 7           | 6 | 5 | 4 | 3           | 2 | 1 | 0 |
|---------|-------------|---|---|---|-------------|---|---|---|
|         | WINDOW[3:0] |   |   |   | PERIOD[3:0] |   |   |   |
| Access  | R           | R | R | R | R           | R | R | R |
| Default | 0           | 0 | 0 | 0 | 0           | 0 | 0 | 0 |

**Bits 7:4 – WINDOW[3:0]** Watchdog Window Time-out Period

This value is loaded into the WINDOW bit field of the Watchdog Control A (WDT.CTRLA) register during Reset.

**Bits 3:0 – PERIOD[3:0]** Watchdog Time-out Period

This value is loaded into the PERIOD bit field of the Watchdog Control A (WDT.CTRLA) register during Reset.

### 7.8.2.2 BOD Configuration

**Name:** BODCFG  
**Offset:** 0x01  
**Default:** 0x00  
**Property:** -

The bit values of this fuse register are written to the corresponding BOD configuration registers at the start-up.

The default value given in this fuse description is the factory-programmed value and should not be mistaken for the Reset value.

| Bit     | 7        | 6 | 5 | 4        | 3           | 2 | 1          | 0 |
|---------|----------|---|---|----------|-------------|---|------------|---|
|         | LVL[2:0] |   |   | SAMPFREQ | ACTIVE[1:0] |   | SLEEP[1:0] |   |
| Access  | R        | R | R | R        | R           | R | R          | R |
| Default | 0        | 0 | 0 | 0        | 0           | 0 | 0          | 0 |

#### Bits 7:5 – LVL[2:0] BOD Level

This value is loaded into the LVL bit field of the BOD Control B (BOD.CTRLB) register during Reset.

| Value | Name      | Description |
|-------|-----------|-------------|
| 0x0   | BODLEVEL0 | 1.8V        |
| 0x2   | BODLEVEL2 | 2.6V        |
| 0x7   | BODLEVEL7 | 4.3V        |
| Other | -         | Reserved    |

#### Notes:

- Refer to *BOD and POR Characteristics* in the *Electrical Characteristics* section for further details
- Values in the description are typical values

#### Bit 4 – SAMPFREQ BOD Sample Frequency

This value is loaded into the SAMPFREQ bit of the BOD Control A (BOD.CTRLA) register during Reset.

| Value | Description                |
|-------|----------------------------|
| 0x0   | Sample frequency is 1 kHz  |
| 0x1   | Sample frequency is 125 Hz |

#### Bits 3:2 – ACTIVE[1:0] BOD Operation Mode in Active and Idle

This value is loaded into the ACTIVE bit field of the BOD Control A (BOD.CTRLA) register during Reset.

| Value | Description                                    |
|-------|--|
| 0x0   | Disabled                                       |
| 0x1   | Enabled  |
| 0x2   | Sampled  |
| 0x3   | Enabled with wake-up halted until BOD is ready |

#### Bits 1:0 – SLEEP[1:0] BOD Operation Mode in Sleep

This value is loaded into the SLEEP bit field of the BOD Control A (BOD.CTRLA) register during Reset.

| Value | Description |
|-------|-------------|
| 0x0   | Disabled    |
| 0x1   | Enabled     |
| 0x2   | Sampled     |
| 0x3   | Reserved    |



### 7.8.2.3 Oscillator Configuration

**Name:** OSCCFG  
**Offset:** 0x02  
**Default:** 0x02  
**Property:** -

The default value given in this fuse description is the factory-programmed value and should not be mistaken for the Reset value.

|         |         |   |   |   |   |   |              |   |
|---------|---------|---|---|---|---|---|--------------|---|
| Bit     | 7       | 6 | 5 | 4 | 3 | 2 | 1            | 0 |
|         | OSCLOCK |   |   |   |   |   | FREQSEL[1:0] |   |
| Access  | R       |   |   |   |   |   | R            | R |
| Default | 0       |   |   |   |   |   | 1            | 0 |

#### Bit 7 – OSCLOCK Oscillator Lock

This fuse bit is loaded to LOCK in CLKCTRL.OSC20MCALIBB during Reset.

| Value | Description  |
|-------|--|
| 0x0   | Calibration registers of the 20 MHz oscillator can be modified at run-time |
| 0x1   | Calibration registers of the 20 MHz oscillator are locked at run-time      |

#### Bits 1:0 – FREQSEL[1:0] Frequency Select

These bits select the operation frequency of the internal RC Oscillator (OSC20M) and determine the respective factory calibration values to be written to CAL20M in CLKCTRL.OSC20MCALIBA and TEMPCAL20M in CLKCTRL.OSC20MCALIBB.

| Value | Description   |
|-------|---------------|
| 0x0   | Reserved      |
| 0x1   | Run at 16 MHz |
| 0x2   | Run at 20 MHz |
| 0x3   | Reserved      |

### 7.8.2.4 System Configuration 0

**Name:** SYSCFG0  
**Offset:** 0x05  
**Default:** 0xE4  
**Property:** -

The default value given in this fuse description is the factory-programmed value and should not be mistaken for the Reset value.

| Bit     | 7           | 6 | 5 | 4 | 3         | 2 | 1 | 0      |
|---------|-------------|---|---|---|-----------|---|---|--------|
|         | CRCSRC[1:0] |   |   |   | RSTPINCFG |   |   | EESAVE |
| Access  | R           | R |   |   | R         |   |   | R      |
| Default | 1           | 1 |   |   | 0         |   |   | 0      |

#### Bits 7:6 – CRCSRC[1:0] CRC Source

This bit field control which section of the Flash will be checked by the CRCSCAN peripheral during Reset Initialization.

| Value | Name    | Description  |
|-------|---------|--|
| 0x0   | FLASH   | CRC of full Flash (boot, application code, and application data) |
| 0x1   | BOOT    | CRC of boot section  |
| 0x2   | BOOTAPP | CRC of application code and boot sections                        |
| 0x3   | NOCRC   | No CRC   |

#### Bit 3 – RSTPINCFG Reset Pin Configuration

This bit selects the pin configuration for the Reset pin.

| Value | Description |
|-------|-------------|
| 0x0   | GPIO        |
| 0x1   | RESET       |

#### Bit 0 – EESAVE EEPROM Save During Chip Erase

If the device is locked, the EEPROM is always erased by a chip erase, regardless of this bit.

| Value | Description                     |
|-------|---------------------------------|
| 0x0   | EEPROM erased by chip erase     |
| 0x1   | EEPROM not erased by chip erase |

### 7.8.2.5 System Configuration 1

**Name:** SYSCFG1  
**Offset:** 0x06  
**Default:** 0x07  
**Property:** -

The default value given in this fuse description is the factory-programmed value and should not be mistaken for the Reset value.

|         |   |   |   |   |   |          |   |   |
|---------|---|---|---|---|---|----------|---|---|
| Bit     | 7 | 6 | 5 | 4 | 3 | 2        | 1 | 0 |
|         |   |   |   |   |   | SUT[2:0] |   |   |
| Access  |   |   |   |   |   | R        | R | R |
| Default |   |   |   |   |   | 1        | 1 | 1 |

#### Bits 2:0 – SUT[2:0] Start-Up Time Setting

These bits select the start-up time between power-on and code execution.

| Value | Description |
|-------|-------------|
| 0x0   | 0 ms        |
| 0x1   | 1 ms        |
| 0x2   | 2 ms        |
| 0x3   | 4 ms        |
| 0x4   | 8 ms        |
| 0x5   | 16 ms       |
| 0x6   | 32 ms       |
| 0x7   | 64 ms       |

### 7.8.2.6 Application Code End

**Name:** APPEND  
**Offset:** 0x07  
**Default:** 0x00  
**Property:** -

The default value given in this fuse description is the factory-programmed value and should not be mistaken for the Reset value.

| Bit     | 7           | 6 | 5 | 4 | 3 | 2 | 1 | 0 |
|---------|-------------|---|---|---|---|---|---|---|
|         | APPEND[7:0] |   |   |   |   |   |   |   |
| Access  | R           | R | R | R | R | R | R | R |
| Default | 0           | 0 | 0 | 0 | 0 | 0 | 0 | 0 |

#### Bits 7:0 – APPEND[7:0] Application Code Section End

These bits set the end of the application code section in blocks of 256 bytes. The end of the application code section should be set as the BOOT size plus application code size. The remaining Flash will be application data. A value of 0x00 defines the Flash from BOOTEND\*256 to the end of Flash as the application code section. When FUSE.BOOTEND is 0x00, the entire Flash is the BOOT section.

### 7.8.2.7 Boot End

**Name:** BOOTEND  
**Offset:** 0x08  
**Default:** 0x00  
**Property:** -

The default value given in this fuse description is the factory-programmed value and should not be mistaken for the Reset value.

| Bit     | 7            | 6 | 5 | 4 | 3 | 2 | 1 | 0 |
|---------|--------------|---|---|---|---|---|---|---|
|         | BOOTEND[7:0] |   |   |   |   |   |   |   |
| Access  | R            | R | R | R | R | R | R | R |
| Default | 0            | 0 | 0 | 0 | 0 | 0 | 0 | 0 |

#### Bits 7:0 – BOOTEND[7:0] Boot Section End

These bits set the end of the boot section in blocks of 256 bytes. A value of 0x00 defines the whole Flash as the BOOT section.

### 7.8.2.8 Lockbits

**Name:** LOCKBIT  
**Offset:** 0x0A  
**Default:** 0xC5  
**Property:** -

The default value given in this fuse description is the factory-programmed value and should not be mistaken for the Reset value.

|         |              |   |   |   |   |   |   |   |
|---------|--------------|---|---|---|---|---|---|---|
| Bit     | 7            | 6 | 5 | 4 | 3 | 2 | 1 | 0 |
|         | LOCKBIT[7:0] |   |   |   |   |   |   |   |
| Access  | R            | R | R | R | R | R | R | R |
| Default | 1            | 1 | 0 | 0 | 0 | 1 | 0 | 1 |

#### Bits 7:0 – LOCKBIT[7:0] Lockbits

The UPDI cannot access the system bus when the part is locked. The UPDI can then only read the internal Control and Status (CS) space of the UPDI and the Asynchronous System Interface (ASI). Refer to the *UPDI* section for additional details.

| Value | Description                        |
|-------|------------------------------------|
| 0xC5  | Valid key - the device is open     |
| other | Invalid key - the device is locked |

## 7.9 Memory Section Access from CPU and UPDI on Locked Device

The device can be locked so that the memories cannot be read using the UPDI. The locking protects both the Flash (all BOOT, APPCODE, and APPDATA sections), SRAM, and the EEPROM including the FUSE data. This prevents successful reading of application data or code using the debugger interface. Regular memory access from within the application still is enabled.

The device is locked by writing any invalid key to the LOCKBIT bit field in FUSE.LOCKBIT.

**Table 7-5. Memory Access in Unlocked Mode (FUSE.LOCKBIT Valid)<sup>(1)</sup>**

| Memory Section | CPU Access |       | UPDI Access |       |
|----------------|------------|-------|-------------|-------|
|                | Read       | Write | Read        | Write |
| SRAM           | Yes        | Yes   | Yes         | Yes   |
| Registers      | Yes        | Yes   | Yes         | Yes   |
| Flash          | Yes        | Yes   | Yes         | Yes   |
| EEPROM         | Yes        | Yes   | Yes         | Yes   |
| USERROW        | Yes        | Yes   | Yes         | Yes   |
| SIGROW         | Yes        | No    | Yes         | No    |
| Other Fuses    | Yes        | No    | Yes         | Yes   |

**Table 7-6. Memory Access in Locked Mode (FUSE.LOCKBIT Invalid)<sup>(1)</sup>**

| Memory Section | CPU Access |       | UPDI Access |       |
|----------------|------------|-------|-------------|-------|
|                | Read       | Write | Read        | Write |
| SRAM           | Yes        | Yes   | No          | No    |
| Registers      | Yes        | Yes   | No          | No    |
| Flash          | Yes        | Yes   | No          | No    |

.....continued

| Memory Section | CPU Access |       | UPDI Access |                    |
|----------------|------------|-------|-------------|--------------------|
|                | Read       | Write | Read        | Write              |
| EEPROM         | Yes        | Yes   | No          | No                 |
| USERROW        | Yes        | Yes   | No          | Yes <sup>(2)</sup> |
| SIGROW         | Yes        | No    | No          | No                 |
| Other Fuses    | Yes        | No    | No          | No                 |

**Notes:**

1. Read operations marked No in the tables may appear to be successful, but the data is corrupt. Hence, any attempt of code validation through the UPDI will fail on these memory sections.
2. In Locked mode, the USERROW can be written blindly using the Fuse Write command, but the current USERROW values cannot be read out.



**Important:** The only way to unlock a device is a CHIPERASE, which will erase all device memories to factory default so that no application data is retained.

### 7.10 I/O Memory

All ATmega4808/4809 I/Os and peripherals are located in the I/O space. The I/O address range from 0x00 to 0x3F can be accessed in a single cycle using `IN` and `OUT` instructions. The extended I/O space from 0x0040 - 0x0FFF can be accessed by the `LD/LDS/LDD` and `ST/STS/STD` instructions, transferring data between the 32 general purpose working registers and the I/O space.

I/O registers within the address range 0x00 - 0x1F are directly bit-accessible using the `SBI` and `CBI` instructions. In these registers, the value of single bits can be checked by using the `SBIS` and `SBIC` instructions. Refer to the Instruction Set section for more details.

For compatibility with future devices, reserved bits should be written to '0' if accessed. Reserved I/O memory addresses should never be written.

Some of the interrupt flags are cleared by writing a '1' to them. On ATmega4808/4809 devices, the `CBI` and `SBI` instructions will only operate on the specified bit, and can, therefore, be used on registers containing such interrupt flags. The `CBI` and `SBI` instructions work with registers 0x00 - 0x1F only.

#### General Purpose I/O Registers

The ATmega4808/4809 devices provide four General Purpose I/O Registers. These registers can be used for storing any information, and they are particularly useful for storing global variables and interrupt flags. General Purpose I/O Registers, which reside in the address range 0x1C - 0x1F, are directly bit-accessible using the `SBI`, `CBI`, `SBIS`, and `SBIC` instructions.

### 7.10.1 Register Summary

| Offset | Name                   | Bit Pos. | 7          | 6 | 5 | 4 | 3 | 2 | 1 | 0 |
|--------|------------------------|----------|------------|---|---|---|---|---|---|---|
| 0x00   | <a href="#">GPIOR0</a> | 7:0      | GPIOR[7:0] |   |   |   |   |   |   |   |
| 0x01   | <a href="#">GPIOR1</a> | 7:0      | GPIOR[7:0] |   |   |   |   |   |   |   |
| 0x02   | <a href="#">GPIOR2</a> | 7:0      | GPIOR[7:0] |   |   |   |   |   |   |   |
| 0x03   | <a href="#">GPIOR3</a> | 7:0      | GPIOR[7:0] |   |   |   |   |   |   |   |

### 7.10.2 Register Description



### 7.10.2.1 General Purpose I/O Register n

**Name:** GPIOR  
**Offset:** 0x00 + n\*0x01 [n=0..3]  
**Reset:** 0x00  
**Property:** -

These are general purpose registers that can be used to store data, such as global variables and flags, in the bit accessible I/O memory space.

| Bit    | 7          | 6   | 5   | 4   | 3   | 2   | 1   | 0   |
|--------|------------|-----|-----|-----|-----|-----|-----|-----|
|        | GPIOR[7:0] |     |     |     |     |     |     |     |
| Access | R/W        | R/W | R/W | R/W | R/W | R/W | R/W | R/W |
| Reset  | 0          | 0   | 0   | 0   | 0   | 0   | 0   | 0   |

**Bits 7:0 – GPIOR[7:0]** GPIO Register Byte

## 8. Peripherals and Architecture

### 8.1 Peripheral Module Address Map

The address map shows the base address for each peripheral. For a complete register description and summary for each peripheral module, refer to the respective module section.

**Table 8-1. Peripheral Module Address Map**

| Base Address | Name    | Description                         | 28-Pin | 32-Pin | 40-Pin | 48-Pin |
|--------------|---------|-------------------------------------|--------|--------|--------|--------|
| 0x0000       | VPORTA  | Virtual Port A                      | X      | X      | X      | X      |
| 0x0004       | VPORTB  | Virtual Port B                      |        |        |        | X      |
| 0x0008       | VPORTC  | Virtual Port C                      | X      | X      | X      | X      |
| 0x000C       | VPORTD  | Virtual Port D                      | X      | X      | X      | X      |
| 0x0010       | VPORTE  | Virtual Port E                      |        |        | X      | X      |
| 0x0014       | VPORTF  | Virtual Port F                      | X      | X      | X      | X      |
| 0x001C       | GPIO    | General Purpose I/O registers       | X      | X      | X      | X      |
| 0x0030       | CPU     | CPU                                 | X      | X      | X      | X      |
| 0x0040       | RSTCTRL | Reset Controller                    | X      | X      | X      | X      |
| 0x0050       | SLPCTRL | Sleep Controller                    | X      | X      | X      | X      |
| 0x0060       | CLKCTRL | Clock Controller                    | X      | X      | X      | X      |
| 0x0080       | BOD     | Brown-out Detector                  | X      | X      | X      | X      |
| 0x00A0       | VREF    | Voltage Reference                   | X      | X      | X      | X      |
| 0x0100       | WDT     | Watchdog Timer                      | X      | X      | X      | X      |
| 0x0110       | CPUINT  | Interrupt Controller                | X      | X      | X      | X      |
| 0x0120       | CRCSCAN | Cyclic Redundancy Check Memory Scan | X      | X      | X      | X      |
| 0x0140       | RTC     | Real-Time Counter                   | X      | X      | X      | X      |
| 0x0180       | EVSYS   | Event System                        | X      | X      | X      | X      |
| 0x01C0       | CCL     | Configurable Custom Logic           | X      | X      | X      | X      |
| 0x0400       | PORTA   | Port A Configuration                | X      | X      | X      | X      |
| 0x0420       | PORTB   | Port B Configuration                |        |        |        | X      |
| 0x0440       | PORTC   | Port C Configuration                | X      | X      | X      | X      |
| 0x0460       | PORTD   | Port D Configuration                | X      | X      | X      | X      |
| 0x0480       | PORTE   | Port E Configuration                |        |        | X      | X      |
| 0x04A0       | PORTF   | Port F Configuration                | X      | X      | X      | X      |
| 0x05E0       | PORTMUX | Port Multiplexer                    | X      | X      | X      | X      |
| 0x0600       | ADC0    | Analog-to-Digital Converter         | X      | X      | X      | X      |
| 0x0680       | AC0     | Analog Comparator 0                 | X      | X      | X      | X      |

.....continued

| Base Address | Name    | Description   | 28-Pin | 32-Pin | 40-Pin | 48-Pin |
|--------------|---------|---|--------|--------|--------|--------|
| 0x0800       | USART0  | Universal Synchronous Asynchronous Receiver Transmitter 0 | X      | X      | X      | X      |
| 0x0820       | USART1  | Universal Synchronous Asynchronous Receiver Transmitter 1 | X      | X      | X      | X      |
| 0x0840       | USART2  | Universal Synchronous Asynchronous Receiver Transmitter 2 | X      | X      | X      | X      |
| 0x0860       | USART3  | Universal Synchronous Asynchronous Receiver Transmitter 3 |        |        | X      | X      |
| 0x08A0       | TWI0    | Two-Wire Interface  | X      | X      | X      | X      |
| 0x08C0       | SPI0    | Serial Peripheral Interface                               | X      | X      | X      | X      |
| 0x0A00       | TCA0    | Timer/Counter Type A instance 0                           | X      | X      | X      | X      |
| 0x0A80       | TCB0    | Timer/Counter Type B instance 0                           | X      | X      | X      | X      |
| 0x0A90       | TCB1    | Timer/Counter Type B instance 1                           | X      | X      | X      | X      |
| 0x0AA0       | TCB2    | Timer/Counter Type B instance 2                           | X      | X      | X      | X      |
| 0x0AB0       | TCB3    | Timer/Counter Type B instance 3                           |        |        | X      | X      |
| 0x0F00       | SYSCFG  | System Configuration                                      | X      | X      | X      | X      |
| 0x1000       | NVMCTRL | Nonvolatile Memory Controller                             | X      | X      | X      | X      |
| 0x1100       | SIGROW  | Signature Row   | X      | X      | X      | X      |
| 0x1280       | FUSE    | Device-specific fuses                                     | X      | X      | X      | X      |
| 0x1300       | USERROW | User Row  | X      | X      | X      | X      |

## 8.2 Interrupt Vector Mapping

Each of the interrupt vectors is connected to one peripheral instance, as shown in the table below. A peripheral can have one or more interrupt sources. See the 'Interrupts' section in the 'Functional Description' of the respective peripheral for more details on the available interrupt sources.

When the interrupt condition occurs, an Interrupt Flag is set in the Interrupt Flags register of the peripheral (*peripheral.INTFLAGS*).

An interrupt is enabled or disabled by writing to the corresponding Interrupt Enable bit in the peripheral's Interrupt Control (*peripheral.INTCTRL*) register.

An interrupt request is generated when the corresponding interrupt is enabled, and the Interrupt Flag is set. The interrupt request remains active until the Interrupt Flag is cleared. See the peripheral's INTFLAGS register for details on how to clear Interrupt Flags.

**Note:** Interrupts must be enabled globally for interrupt requests to be generated.

**Table 8-2. Interrupt Vector Mapping**

| Vector Number | Program Address (word) | Peripheral Source (name) | Description   | 28-Pin | 32-Pin | 40-Pin | 48-Pin |
|---------------|------------------------|--------------------------|---|--------|--------|--------|--------|
| 0             | 0x00                   | RESET                    |   | X      | X      | X      | X      |
| 1             | 0x02                   | CRCSCAN_NMI              | Non-Maskable Interrupt available for CRCSCAN            | X      | X      | X      | X      |
| 2             | 0x04                   | BOD_VLM                  | Voltage Level Monitor interrupt                         | X      | X      | X      | X      |
| 3             | 0x06                   | RTC_CNT                  | Real Time Counter - Overflow or compare match interrupt | X      | X      | X      | X      |

# ATmega4808/4809

## Peripherals and Architecture

.....continued

| Vector Number | Program Address (word) | Peripheral Source (name) | Description   | 28-Pin | 32-Pin | 40-Pin | 48-Pin |
|---------------|------------------------|--------------------------|---|--------|--------|--------|--------|
| 4             | 0x08                   | RTC_PIT                  | Real Time Counter - Periodic Interrupt Timer interrupt  | X      | X      | X      | X      |
| 5             | 0x0A                   | CCL_CCL                  | Configurable Custom Logic interrupt   | X      | X      | X      | X      |
| 6             | 0x0C                   | PORTA_PORT               | Port A - External interrupt   | X      | X      | X      | X      |
| 7             | 0x0E                   | TCA0_OVF<br>TCA0_LUNF    | Normal: Timer/Counter Type A Overflow interrupt<br>Split: Timer/Counter Type A Low Underflow interrupt                  | X      | X      | X      | X      |
| 8             | 0x10                   | TCA0_HUNF                | Split: Timer/Counter Type A High Underflow interrupt  | X      | X      | X      | X      |
| 9             | 0x12                   | TCA0_CMP0<br>TCA0_LCMP0  | Normal: Timer/Counter Type A Compare Channel 0 interrupt<br>Split: Timer/Counter Type A Low Compare Channel 0 interrupt | X      | X      | X      | X      |
| 10            | 0x14                   | TCA0_CMP1<br>TCA0_LCMP1  | Normal: Timer/Counter Type A Compare Channel 1 interrupt<br>Split: Timer/Counter Type A Low Compare Channel 1 interrupt | X      | X      | X      | X      |
| 11            | 0x16                   | TCA0_CMP2<br>TCA0_LCMP2  | Normal: Timer/Counter Type A Compare Channel 2 interrupt<br>Split: Timer/Counter Type A Low Compare Channel 2 interrupt | X      | X      | X      | X      |
| 12            | 0x18                   | TCB0_INT                 | Timer/Counter Type B Capture interrupt  | X      | X      | X      | X      |
| 13            | 0x1A                   | TCB1_INT                 | Timer/Counter Type B Capture interrupt  | X      | X      | X      | X      |
| 14            | 0x1C                   | TWI0_TWIS                | Two Wire Interface - Client interrupt   | X      | X      | X      | X      |
| 15            | 0x1E                   | TWI0_TWIM                | Two Wire Interface - Host interrupt   | X      | X      | X      | X      |
| 16            | 0x20                   | SPI0_INT                 | Serial Peripheral Interface interrupt   | X      | X      | X      | X      |
| 17            | 0x22                   | USART0_RCX               | Universal Synchronous Asynchronous Receiver Transmitter - Receive Complete interrupt                                    | X      | X      | X      | X      |
| 18            | 0x24                   | USART0_DRE               | Universal Synchronous Asynchronous Receiver Transmitter - Data Register Empty interrupt                                 | X      | X      | X      | X      |
| 19            | 0x26                   | USART0_TCX               | Universal Synchronous Asynchronous Receiver Transmitter - Transmit Complete interrupt                                   | X      | X      | X      | X      |
| 20            | 0x28                   | PORTD_PORT               | Port D - External interrupt   | X      | X      | X      | X      |
| 21            | 0x2A                   | AC0_AC                   | Analog Comparator - Compare interrupt   | X      | X      | X      | X      |
| 22            | 0x2C                   | ADC0_RESRDY              | Analog-to-Digital Converter - Result Ready interrupt  | X      | X      | X      | X      |
| 23            | 0x2E                   | ADC0_WCOMP               | Analog-to-Digital Converter - Window Compare interrupt  | X      | X      | X      | X      |
| 24            | 0x30                   | PORTC_PORT               | Port C - External interrupt   | X      | X      | X      | X      |
| 25            | 0x32                   | TCB2_INT                 | Timer/Counter Type B Capture interrupt  | X      | X      | X      | X      |
| 26            | 0x34                   | USART1_RCX               | Universal Synchronous Asynchronous Receiver Transmitter - Receive Complete interrupt                                    | X      | X      | X      | X      |
| 27            | 0x36                   | USART1_DRE               | Universal Synchronous Asynchronous Receiver Transmitter - Data Register Empty interrupt                                 | X      | X      | X      | X      |
| 28            | 0x38                   | USART1_TCX               | Universal Synchronous Asynchronous Receiver Transmitter - Transmit Complete interrupt                                   | X      | X      | X      | X      |
| 29            | 0x3A                   | PORTF_PORT               | Port F - External interrupt   | X      | X      | X      | X      |
| 30            | 0x3C                   | NVMCTRL_EE               | Non-Volatile Memory Controller - Ready interrupt  | X      | X      | X      | X      |

.....continued

| Vector Number | Program Address (word) | Peripheral Source (name) | Description   | 28-Pin | 32-Pin | 40-Pin | 48-Pin |
|---------------|------------------------|--------------------------|---|--------|--------|--------|--------|
| 31            | 0x3E                   | USART2_RCX               | Universal Synchronous Asynchronous Receiver Transmitter - Receive Complete interrupt    | X      | X      | X      | X      |
| 32            | 0x40                   | USART2_DRE               | Universal Synchronous Asynchronous Receiver Transmitter - Data Register Empty interrupt | X      | X      | X      | X      |
| 33            | 0x42                   | USART2_TCX               | Universal Synchronous Asynchronous Receiver Transmitter - Transmit Complete interrupt   | X      | X      | X      | X      |
| 34            | 0x44                   | PORTB                    | Port B - External interrupt   |        |        |        | X      |
| 35            | 0x46                   | PORTE                    | Port E - External interrupt   |        |        | X      | X      |
| 36            | 0x48                   | TCB3_INT                 | Timer/Counter Type B Capture interrupt  |        |        | X      | X      |
| 37            | 0x4A                   | USART3_RCX               | Universal Synchronous Asynchronous Receiver Transmitter - Receive Complete interrupt    |        |        | X      | X      |
| 38            | 0x4C                   | USART3_DRE               | Universal Synchronous Asynchronous Receiver Transmitter - Data Register Empty interrupt |        |        | X      | X      |
| 39            | 0x4E                   | USART3_TCX               | Universal Synchronous Asynchronous Receiver Transmitter - Transmit Complete interrupt   |        |        | X      | X      |

### 8.3 SYSCFG - System Configuration

The system configuration contains the revision ID of the part. The revision ID is readable from the CPU, making it useful for implementing application changes between part revisions.

### 8.3.1 Register Summary

| Offset | Name     | Bit Pos. | 7          | 6 | 5 | 4 | 3 | 2 | 1 | 0 |
|--------|----------|----------|------------|---|---|---|---|---|---|---|
| 0x00   | Reserved |          |            |   |   |   |   |   |   |   |
| 0x01   | REVID    | 7:0      | REVID[7:0] |   |   |   |   |   |   |   |

### 8.3.2 Register Description

### 8.3.2.1 Device Revision ID Register

**Name:** REVID  
**Offset:** 0x01  
**Reset:** [revision ID]  
**Property:** -

This register is read-only and displays the device revision ID.

| Bit    | 7          | 6 | 5 | 4 | 3 | 2 | 1 | 0 |
|--------|------------|---|---|---|---|---|---|---|
|        | REVID[7:0] |   |   |   |   |   |   |   |
| Access | R          | R | R | R | R | R | R | R |
| Reset  |            |   |   |   |   |   |   |   |

**Bits 7:0 – REVID[7:0]** Revision ID

These bits contain the device revision. 0x00 = A, 0x01 = B, and so on.

## **9. NVMCTRL - Nonvolatile Memory Controller**

### **9.1 Features**

- Unified Memory
- In-System Programmable
- Self-Programming and Boot Loader Support
- Configurable Sections for Write Protection:
  - Boot section for boot loader code or application code
  - Application code section for application code
  - Application data section for application code or data storage
- Signature Row for Factory-Programmed Data:
  - ID for each device type
  - Serial number for each device
  - Calibration bytes for factory-calibrated peripherals
- User Row for Application Data:
  - Can be read and written from software
  - Can be written from UPDI on a locked device
  - Content is kept after chip erase

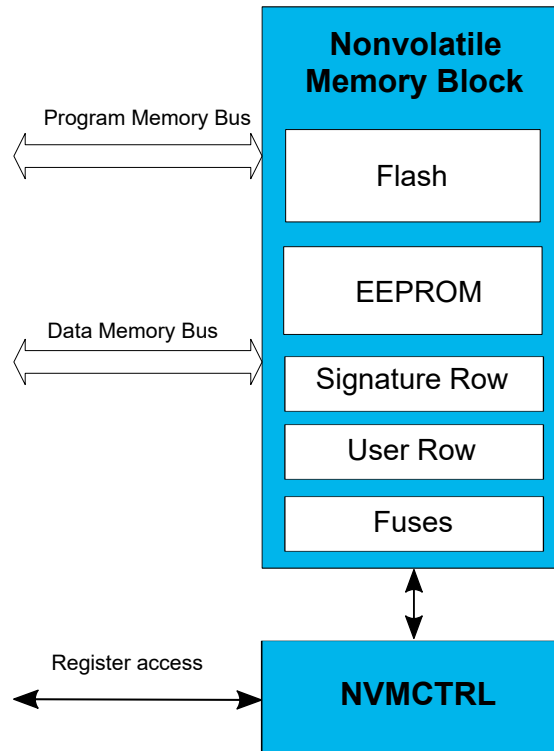
### **9.2 Overview**

The NVM Controller (NVMCTRL) is the interface between the CPU and Nonvolatile Memories (Flash, EEPROM, Signature Row, User Row, and fuses). These are reprogrammable memory blocks that retain their values when they are not powered. The Flash is mainly used for program storage and can also be used for data storage, while the EEPROM, Signature Row, User Row, and fuses are used for data storage.



### 9.2.1 Block Diagram

Figure 9-1. NVMCTRL Block Diagram



## 9.3 Functional Description

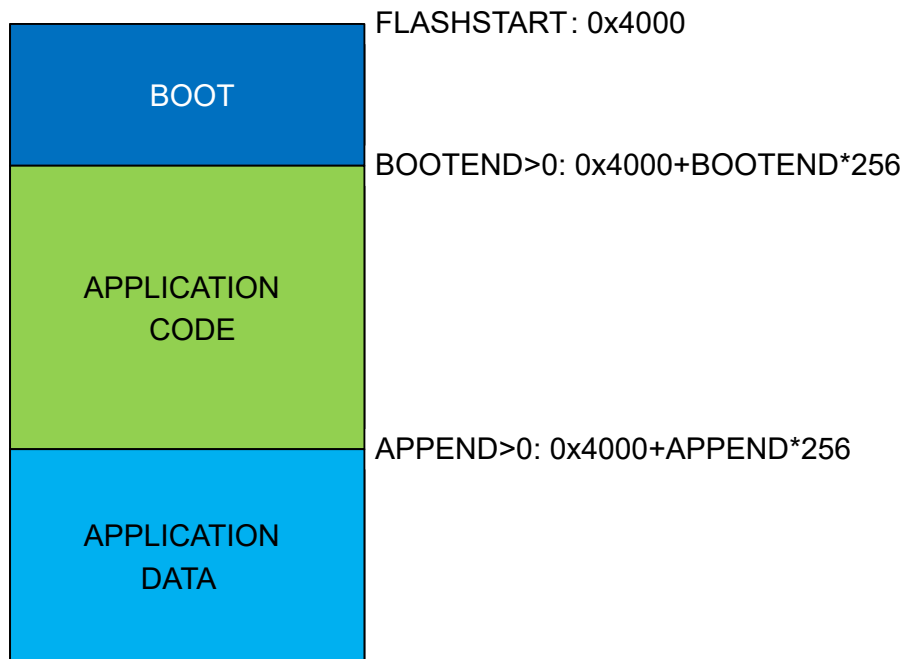
### 9.3.1 Memory Organization

#### 9.3.1.1 Flash

The Flash is divided into a set of pages. A page is the basic unit addressed when programming the Flash. It is only possible to write or erase a whole page at a time. One page consists of several words.

The Flash can be divided into three sections in blocks of 256 bytes for different security. The three different sections are BOOT, Application Code (APPCODE), and Application Data (APPDATA).

**Figure 9-2. Flash Sections**



### Section Sizes

The sizes of these sections are set by the Boot Section End (FUSE.BOOTEND) fuse and the Application Code Section End (FUSE.APPEND) fuse.

The fuses select the section sizes in blocks of 256 bytes. The BOOT section stretches from the start of the Flash until BOOTEND. The APPCODE section runs from BOOTEND until APPEND, and the remaining area is the APPDATA section.

**Table 9-1. Setting Up Flash Sections**

| BOOTEND | APPEND    | BOOT Section     | APPCODE Section           | APPDATA Section         |
|---------|-----------|------------------|---------------------------|-------------------------|
| 0       | –         | 0 to FLASHEND    | –                         | –                       |
| > 0     | 0         | 0 to 256*BOOTEND | 256*BOOTEND to FLASHEND   | –                       |
| > 0     | ≤ BOOTEND | 0 to 256*BOOTEND | –                         | 256*BOOTEND to FLASHEND |
| > 0     | > BOOTEND | 0 to 256*BOOTEND | 256*BOOTEND to 256*APPEND | 256*APPEND to FLASHEND  |

If BOOTEND is written to '0', the entire Flash is regarded as the BOOT section. If APPEND is written to '0' and BOOTEND > 0, the APPCODE section runs from BOOTEND to the end of Flash (no APPDATA section). When APPEND ≤ BOOTEND, the APPCODE section is removed, and the APPDATA runs from BOOTEND to the end of Flash. When APPEND > BOOTEND, the APPCODE section spreads from BOOTEND until APPEND. The remaining area is the APPDATA section.

If there is no boot loader software, it is recommended to use the BOOT section for Application Code.

### Notes:

1. After Reset, the default vector table location is at the start of the APPCODE section. The peripheral interrupts can be used in the code running in the BOOT section by relocating the interrupt vector table at the beginning of this section. That is done by setting the IVSEL bit in the CPUINT.CTRLA register. Refer to the *CPUINT* section for details.
2. If BOOTEND/APPEND, as resulted from BOOTEND and APPEND fuse setting, exceed the device FLASHEND, the corresponding fuse setting is ignored, and the default value is used. Refer to "Fuse" in the *Memories* section for default values.

#### Example 9-1. Size of Flash Sections

If FUSE.BOOTEND is written to 0x04 and FUSE.APPEND is written to 0x08, the first 4\*256 bytes will be BOOT, the next 4\*256 bytes will be APPCODE, and the remaining Flash will be APPDATA.

### Inter-Section Write Protection

Between the three Flash sections, directional write protection is implemented:

- The code in the BOOT section can write to APPCODE and APPDATA
- The code in APPCODE can write to APPDATA
- The code in APPDATA cannot write to Flash or EEPROM

### Boot Section Lock and Application Code Section Write Protection

Additional to the inter-section write protection, the NVMCTRL provides a security mechanism to avoid unwanted access to the Flash memory sections. Even if the CPU can never write to the BOOT section, a Boot Section Lock (BOOTLOCK) bit in the Control B (NVMCTRL.CTRLB) register is provided to prevent the read and execution of code from the BOOT section. This bit can be set only from the code executed in the BOOT section and has effect only when leaving the BOOT section.

The Application Code Section Write Protection (APCWP) bit in the Control B (NVMCTRL.CTRLB) register can be set to prevent further updates of the APPCODE section.

#### 9.3.1.2 EEPROM

The EEPROM is divided into a set of pages where one page consists of multiple bytes. The EEPROM has byte granularity on the erase/write. Within one page, only the bytes marked to be updated will be erased/written. The byte is marked by writing a new value to the page buffer for that address location.

#### 9.3.1.3 User Row

The User Row is one extra page of EEPROM. This page can be used to store various data, such as calibration/configuration data and serial numbers. This page is not erased by a chip erase. The User Row is written as normal EEPROM, but also, it can be written through UPDI on a locked device.

### 9.3.2 Memory Access

#### 9.3.2.1 Read

Reading of the Flash and EEPROM is done by using load instructions with an address according to the memory map. Reading any of the arrays while a write or erase is in progress will result in a bus wait, and the instruction will be suspended until the ongoing operation is complete.

#### 9.3.2.2 Page Buffer Load

The page buffer is loaded by writing directly to the memories as defined in the memory map. The Flash, EEPROM, and User Row share the same page buffer, so only one section can be programmed at a time. The Least Significant bits (LSb) of the address are used to select where in the page buffer data are written. The resulting data will be a binary AND operation between the new and the previous content of the page buffer. The page buffer will automatically be erased (all bits set) after:

- A device Reset
- Any page write or erase operation
- A Clear Page Buffer command

- A device wake-up from any sleep mode

### 9.3.2.3 Programming

For page programming, filling the page buffer and writing the page buffer into Flash, User Row, and EEPROM are two separate operations.

Before programming a Flash page with the data in the page buffer, the Flash page must be erased. The page buffer is also erased when the device enters a sleep mode. Programming an unerased Flash page will corrupt its content.

The Flash can either be written with the erase and write separately, or one command handling both:

#### Alternative 1:

1. Fill the page buffer.
2. Write the page buffer to Flash with the Erase and Write Page (ERWP) command.

#### Alternative 2:

1. Write to a location on the page to set up the address.
2. Perform an Erase Page (ER) command.
3. Fill the page buffer.
4. Perform a Write Page (WP) command.

The NVM command set supports both a single erase and write operation, and split Erase Page (ER) and Write Page (WP) commands. This split commands enable shorter programming time for each command, and the erase operations can be done during non-time-critical programming execution.

The EEPROM programming is similar, but only the bytes updated in the page buffer will be written or erased in the EEPROM.

### 9.3.2.4 Commands

Reading the Flash/EEPROM and writing the page buffer is handled with normal load/store instructions. Other operations, such as writing and erasing the memory arrays, are handled by commands in the NVM.

To execute a command in the NVM:

1. Confirm that any previous operation is completed by reading the Busy (EEBUSY and FBUSY) Flags in the NVMCTRL.STATUS register.
2. Write the appropriate key to the Configuration Change Protection (CPU.CCP) register to unlock the NVM Control A (NVMCTRL.CTRLA) register.
3. Write the desired command value to the CMD bit field in the Control A (NVMCTRL.CTRLA) register within the next four instructions.

#### 9.3.2.4.1 Write Page Command

The Write Page (WP) command of the Flash controller writes the content of the page buffer to the Flash or EEPROM.

If the write is to the Flash, the CPU will stop executing code as long as the Flash is busy with the write operation. If the write is to the EEPROM, the CPU can continue to execute code while the operation is ongoing.

The page buffer will automatically be cleared after the operation is finished.

#### 9.3.2.4.2 Erase Page Command

The Erase Page (ER) command erases the current page. There must be one byte written in the page buffer for the Erase Page (ER) command to take effect.

For erasing the Flash, first, write to one address on the desired page, then execute the command. The whole page in the Flash will then be erased. The CPU will be halted while the erase is ongoing.

For the EEPROM, only the bytes written in the page buffer will be erased when the command is executed. To erase a specific byte, write to its corresponding address before executing the command. To erase a whole page, all the bytes in the page buffer have to be updated before executing the command. The CPU can continue running code while the operation is ongoing.

The page buffer will automatically be cleared after the operation is finished.

#### **9.3.2.4.3 Erase/Write Page Command**

The Erase and Write Page (ERWP) command is a combination of the Erase Page and Write Page commands, but without clearing the page buffer after the Erase Page command: The erase/write operation first erases the selected page, then it writes the content of the page buffer to the same page.

When executed on the Flash, the CPU will be halted when the operations are ongoing. When executed on EEPROM, the CPU can continue to execute code.

The page buffer will automatically be cleared after the operation is finished.

#### **9.3.2.4.4 Page Buffer Clear Command**

The Page Buffer Clear (PBC) command clears the page buffer. The contents of the page buffer will be all '1's after the operation. The CPU will be halted when the operation executes (seven CPU cycles).

#### **9.3.2.4.5 Chip Erase Command**

The Chip Erase (CHER) command erases the Flash and the EEPROM. The EEPROM is unaltered if the EEPROM Save During Chip Erase (EESAVE) fuse in FUSE.SYSCFG0 is set. The Flash will not be protected by Boot Section Lock (BOOTLOCK) bit or Application Code Section Write Protection (APCWP) bit in NVMCTRL.CTRLB register. The memory will be all '1's after the operation.

#### **9.3.2.4.6 EEPROM Erase Command**

The EEPROM Erase (EEER) command erases the EEPROM. The EEPROM will be all '1's after the operation. The CPU will be halted while the EEPROM is being erased.

#### **9.3.2.4.7 Write Fuse Command**

The Write Fuse (WFU) command writes the fuses. It can only be used by the UPDI; the CPU cannot start this command.

Follow this procedure to use the Write Fuse command:

1. Write the address of the fuse to the Address (NVMCTRL.ADDR) register.
2. Write the data to be written to the fuse to the Data (NVMCTRL.DATA) register.
3. Execute the Write Fuse command.
4. After the fuse is written, a Reset is required for the updated value to take effect.

For reading fuses, use a regular read on the memory location.

#### **9.3.2.5 Write Access after Reset**

After a Power-on Reset (POR), the NVMCTRL rejects any write attempts to the NVM for a given time. During this period, the Flash Busy (FBUSY) and the EEPROM Busy (EEBUSY) bit field in the NVMCTRL.STATUS register will read '1'. EEBUSY and FBUSY bit field must read '0' before the page buffer can be filled, or NVM commands can be issued.

This time-out period is disabled either by writing the Time-Out Disable (TOUTDIS) bit in the System Configuration 0 (FUSE.SYSCFG0) fuse to '0' or by configuring the RSTPINCFG bit field in FUSE.SYSCFG0 fuse to UPDI.

### **9.3.3 Preventing Flash/EEPROM Corruption**

During periods of low  $V_{DD}$ , the Flash program or EEPROM data can be corrupted if the supply voltage is too low for the CPU and the Flash/EEPROM to operate properly. These issues are the same on-board level systems using Flash/EEPROM, and the same design solutions may be applied.

A Flash/EEPROM corruption can be caused by two situations when the voltage is too low:

1. A regular write sequence to the Flash, which requires a minimum voltage to operate correctly.
2. The CPU itself can execute instructions incorrectly when the supply voltage is too low.

See the *Electrical Characteristics* section for Maximum Frequency vs.  $V_{DD}$ .



**Attention:** Flash/EEPROM corruption can be avoided by taking these measures:

1. Keep the device in Reset during periods of any insufficient power supply voltage. Do this by enabling the internal Brown-out Detector (BOD).
2. The voltage level monitor in the BOD can be used to prevent starting a write to the EEPROM close to the BOD level.
3. If the detection levels of the internal BOD do not match the required detection level, an external low  $V_{DD}$  Reset protection circuit can be used. If a Reset occurs while a write operation is ongoing, the write operation will be aborted.

### 9.3.4 Interrupts

**Table 9-2. Available Interrupt Vectors and Sources**

| Offset | Name    | Vector Description | Conditions  |
|--------|---------|--------------------|---|
| 0x00   | EEREADY | NVM                | The EEPROM is ready for new write/erase operations. |

When an interrupt condition occurs, the corresponding interrupt flag is set in the Interrupt Flags (NVMCTRL.INTFLAGS) register.

An interrupt source is enabled or disabled by writing to the corresponding bit in the Interrupt Control (NVMCTRL.INTCTRL) register.

An interrupt request is generated when the corresponding interrupt source is enabled, and the interrupt flag is set. The interrupt request remains active until the interrupt flag is cleared. See the NVMCTRL.INTFLAGS register for details on how to clear interrupt flags.

### 9.3.5 Sleep Mode Operation

If there is no ongoing write operation, the NVMCTRL will enter a sleep mode when the system enters a sleep mode.

If a write operation is ongoing when the system enters a sleep mode, the NVM block, the NVM Controller, and the system clock will remain ON until the write is finished. This is valid for all sleep modes, including Power-Down sleep mode.

The EEPROM Ready interrupt will wake up the device only from Idle sleep mode.

The page buffer is cleared when waking up from sleep.

### 9.3.6 Configuration Change Protection

This peripheral has registers that are under Configuration Change Protection (CCP). To write to these registers, a certain key must first be written to the CPU.CCP register, followed by a write access to the protected bits within four CPU instructions.

Attempting to write to a protected register without following the appropriate CCP unlock sequence leaves the protected register unchanged.

The following registers are under CCP:

**Table 9-3. NVMCTRL - Registers under Configuration Change Protection**

| Register      | Key   |
|---------------|-------|
| NVMCTRL.CTRLA | SPM   |
| NVMCTRL.CTRLB | IOREG |

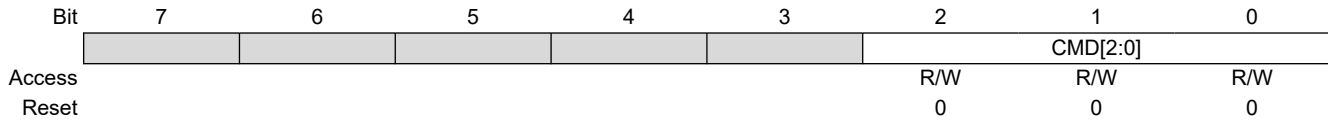
### 9.4 Register Summary

| Offset | Name                     | Bit Pos. | 7          | 6 | 5 | 4 | 3 | 2       | 1        | 0       |
|--------|--------------------------|----------|------------|---|---|---|---|---------|----------|---------|
| 0x00   | <a href="#">CTRLA</a>    | 7:0      |            |   |   |   |   |         | CMD[2:0] |         |
| 0x01   | <a href="#">CTRLB</a>    | 7:0      |            |   |   |   |   |         | BOOTLOCK | APCWP   |
| 0x02   | <a href="#">STATUS</a>   | 7:0      |            |   |   |   |   | WRERROR | EEBUSY   | FBUSY   |
| 0x03   | <a href="#">INTCTRL</a>  | 7:0      |            |   |   |   |   |         |          | EEREADY |
| 0x04   | <a href="#">INTFLAGS</a> | 7:0      |            |   |   |   |   |         |          | EEREADY |
| 0x05   | Reserved                 |          |            |   |   |   |   |         |          |         |
| 0x06   | <a href="#">DATA</a>     | 7:0      | DATA[7:0]  |   |   |   |   |         |          |         |
|        |                          | 15:8     | DATA[15:8] |   |   |   |   |         |          |         |
| 0x08   | <a href="#">ADDR</a>     | 7:0      | ADDR[7:0]  |   |   |   |   |         |          |         |
|        |                          | 15:8     | ADDR[15:8] |   |   |   |   |         |          |         |

### 9.5 Register Description

### 9.5.1 Control A

**Name:** CTRLA  
**Offset:** 0x00  
**Reset:** 0x00  
**Property:** Configuration Change Protection



**Bits 2:0 – CMD[2:0] Command**

Write this bit field to issue a command. The Configuration Change Protection key for self-programming (SPM) has to be written within four instructions before this write.

| Value | Name | Description  |
|-------|------|--|
| 0x0   | -    | No command   |
| 0x1   | WP   | Write page buffer to memory (NVMCTRL.ADDR selects which memory)          |
| 0x2   | ER   | Erase page (NVMCTRL.ADDR selects which memory)                           |
| 0x3   | ERWP | Erase and write page (NVMCTRL.ADDR selects which memory)                 |
| 0x4   | PBC  | Page buffer clear  |
| 0x5   | CHER | Chip erase: Erase Flash and EEPROM (unless EESAVE in FUSE.SYSCFG is '1') |
| 0x6   | EEER | EEPROM Erase   |
| 0x7   | WFU  | Write fuse (only accessible through UPDI)                                |



### 9.5.2 Control B

**Name:** CTRLB  
**Offset:** 0x01  
**Reset:** 0x00  
**Property:** Configuration Change Protection

|        |   |   |   |   |   |   |     |     |
|--------|---|---|---|---|---|---|-----|-----|
|        | 7 | 6 | 5 | 4 | 3 | 2 | 1   | 0   |
| Access |   |   |   |   |   |   | R/W | R/W |
| Reset  |   |   |   |   |   |   | 0   | 0   |

**Bit 1 – BOOTLOCK** Boot Section Lock

Writing this bit to '1' locks the BOOT section from reading and instruction fetching. If this bit is '1', a read from the BOOT section will return '0'. A fetch from the BOOT section will also return '0' as instruction. This bit can be written from the BOOT section only. It can only be cleared to '0' by a Reset. This bit will take effect only when the BOOT section is left the first time after the bit is written.

**Bit 0 – APCWP** Application Code Section Write Protection

Writing this bit to '1' prevents further updates to the Application Code section. This bit can only be written to '1'. It is cleared to '0' only by Reset.

### 9.5.3 Status

**Name:** STATUS  
**Offset:** 0x02  
**Reset:** 0x00  
**Property:** -

|        |   |   |   |   |   |         |        |       |
|--------|---|---|---|---|---|---------|--------|-------|
|        | 7 | 6 | 5 | 4 | 3 | 2       | 1      | 0     |
|        |   |   |   |   |   | WRERROR | EEBUSY | FBUSY |
| Access |   |   |   |   |   | R       | R      | R     |
| Reset  |   |   |   |   |   | 0       | 0      | 0     |

**Bit 2 – WRERROR** Write Error

This bit will read ‘1’ when a write error has happened. A write error could be writing to different sections before doing a page write or writing to a protected area. This bit is valid for the last operation.

**Bit 1 – EEBUSY** EEPROM Busy

This bit will read ‘1’ when the EEPROM is busy with a command.

**Bit 0 – FBUSY** Flash Busy

This bit will read ‘1’ when the Flash is busy with a command.

### 9.5.4 Interrupt Control

**Name:** INTCTRL  
**Offset:** 0x03  
**Reset:** 0x00  
**Property:** -

|        |   |   |   |   |   |   |   |          |
|--------|---|---|---|---|---|---|---|----------|
|        | 7 | 6 | 5 | 4 | 3 | 2 | 1 | 0        |
| Access |   |   |   |   |   |   |   | EEREADY  |
| Reset  |   |   |   |   |   |   |   | R/W<br>0 |

**Bit 0 – EEREADY** EEPROM Ready Interrupt

Writing a '1' to this bit enables the interrupt, which indicates that the EEPROM is ready for new write/erase operations.

This is a level interrupt that will be triggered only when the EEREADY flag in the INTFLAGS register is set to '0'. Thus, the interrupt must not be enabled before triggering an NVM command, as the EEREADY flag will not be set before the NVM command is issued. The interrupt may be disabled in the interrupt handler.

### 9.5.5 Interrupt Flags

**Name:** INTFLAGS  
**Offset:** 0x04  
**Reset:** 0x00  
**Property:** -

|        |   |   |   |   |   |   |   |         |
|--------|---|---|---|---|---|---|---|---------|
|        | 7 | 6 | 5 | 4 | 3 | 2 | 1 | 0       |
| Access |   |   |   |   |   |   |   | EEREADY |
| Reset  |   |   |   |   |   |   |   | 0       |

**Bit 0 – EEREADY** EEREADY Interrupt Flag

This flag is set continuously as long as the EEPROM is not busy. This flag is cleared by writing a '1' to it.

### 9.5.6 Data

**Name:** DATA  
**Offset:** 0x06  
**Reset:** 0x00  
**Property:** -

The NVMCTRL.DATAL and NVMCTRL.DATAH register pair represents the 16-bit value, NVMCTRL.DATA. The low byte [7:0] (suffix L) is accessible at the original offset. The high byte [15:8] (suffix H) can be accessed at offset + 0x01.

| Bit    | 15         | 14  | 13  | 12  | 11  | 10  | 9   | 8   |
|--------|------------|-----|-----|-----|-----|-----|-----|-----|
|        | DATA[15:8] |     |     |     |     |     |     |     |
| Access | R/W        | R/W | R/W | R/W | R/W | R/W | R/W | R/W |
| Reset  | 0          | 0   | 0   | 0   | 0   | 0   | 0   | 0   |
|        |            |     |     |     |     |     |     |     |
| Bit    | 7          | 6   | 5   | 4   | 3   | 2   | 1   | 0   |
|        | DATA[7:0]  |     |     |     |     |     |     |     |
| Access | R/W        | R/W | R/W | R/W | R/W | R/W | R/W | R/W |
| Reset  | 0          | 0   | 0   | 0   | 0   | 0   | 0   | 0   |

#### Bits 15:0 – DATA[15:0] Data Register

This register is used by the UPDI for fuse write operations.

### 9.5.7 Address

**Name:** ADDR  
**Offset:** 0x08  
**Reset:** 0x00  
**Property:** -

The NVMCTRL.ADDRL and NVMCTRL.ADDRH register pair represents the 16-bit value, NVMCTRL.ADDR. The low byte [7:0] (suffix L) is accessible at the original offset. The high byte [15:8] (suffix H) can be accessed at offset + 0x01.

|        |     |            |     |     |     |     |     |     |     |
|--------|-----|------------|-----|-----|-----|-----|-----|-----|-----|
|        | Bit | 15         | 14  | 13  | 12  | 11  | 10  | 9   | 8   |
|        |     | ADDR[15:8] |     |     |     |     |     |     |     |
| Access |     | R/W        | R/W | R/W | R/W | R/W | R/W | R/W | R/W |
| Reset  |     | 0          | 0   | 0   | 0   | 0   | 0   | 0   | 0   |
|        |     |            |     |     |     |     |     |     |     |
|        | Bit | 7          | 6   | 5   | 4   | 3   | 2   | 1   | 0   |
|        |     | ADDR[7:0]  |     |     |     |     |     |     |     |
| Access |     | R/W        | R/W | R/W | R/W | R/W | R/W | R/W | R/W |
| Reset  |     | 0          | 0   | 0   | 0   | 0   | 0   | 0   | 0   |

#### Bits 15:0 – ADDR[15:0] Address

The Address register contains the address to the last memory location that has been updated.

## 10. CLKCTRL - Clock Controller

### 10.1 Features

- All Clocks and Clock Sources are Automatically Enabled when Requested by Peripherals
- Internal Oscillators:
  - 16/20 MHz oscillator (OSC20M)
  - 32.768 kHz ultra low-power oscillator (OSCULP32K)
- External Clock Options:
  - 32.768 kHz crystal oscillator (XOSC32K)
  - External clock
- Main Clock Features:
  - Safe run-time switching
  - Prescaler with 1x to 64x division in 12 different settings

### 10.2 Overview

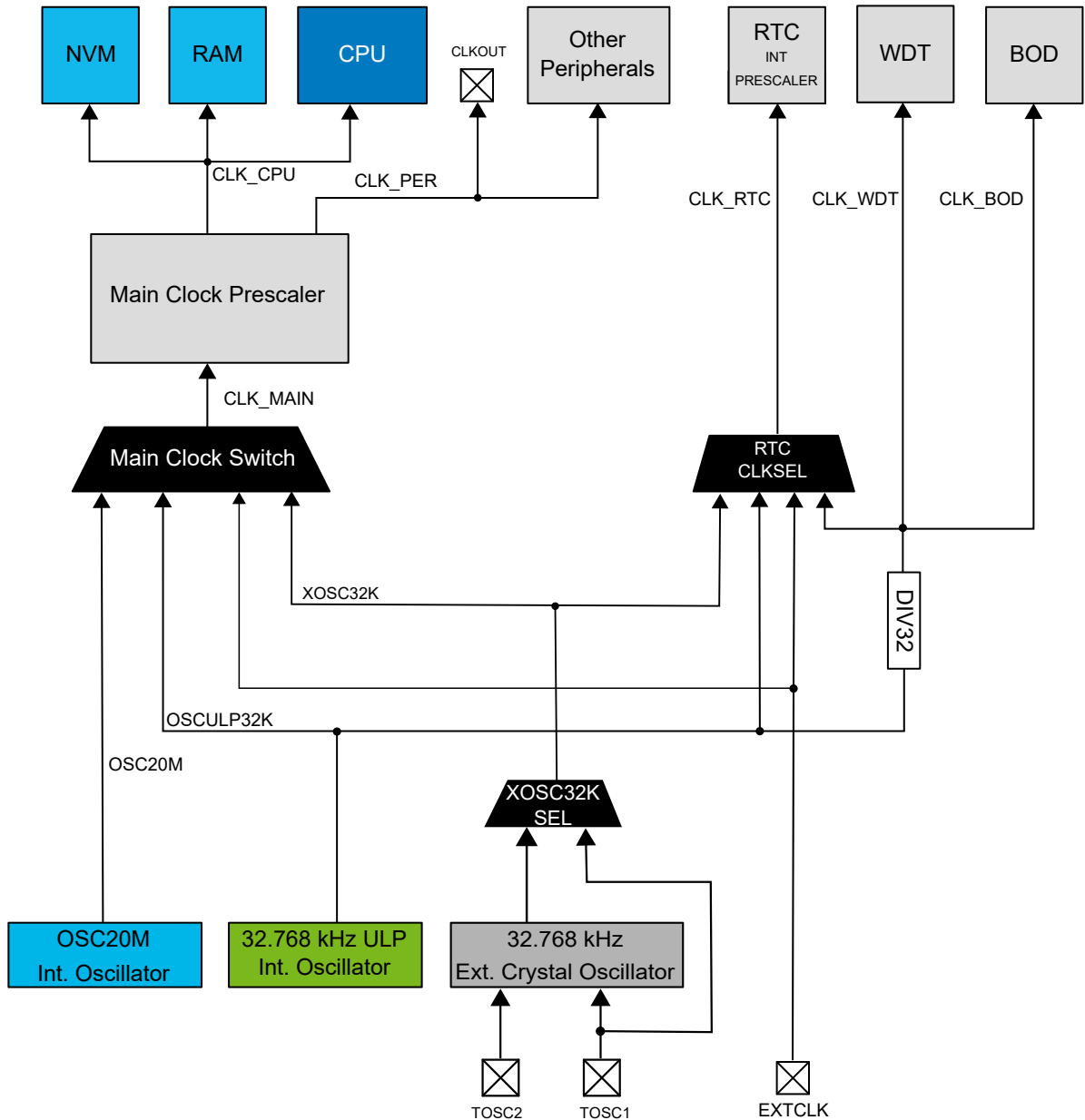
The Clock Controller (CLKCTRL) controls, distributes and prescales the clock signals from the available oscillators, and supports internal and external clock sources.

The CLKCTRL is based on an automatic clock request system, implemented in all peripherals on the device. The peripherals will automatically request the clocks needed. The request is routed to the correct clock source if multiple clock sources are available.

The Main Clock (CLK\_MAIN) is used by the CPU, RAM, and all peripherals connected to the I/O bus. The main clock source can be selected and prescaled. Some peripherals can share the same clock source as the main clock or run asynchronously to the main clock domain.

#### 10.2.1 Block Diagram - CLKCTRL

**Figure 10-1. CLKCTRL Block Diagram  
With XOS32K and CLKOUT**



The clock system consists of the main clock and other asynchronous clocks:

- **Main Clock**  
This clock is used by the CPU, RAM, Flash, the I/O bus, and all peripherals connected to the I/O bus. It is always running in Active and Idle sleep mode and can be running in Standby sleep mode if requested.  
The main clock CLK\_MAIN is prescaled and distributed by the clock controller:
  - CLK\_CPU is used by the CPU, SRAM, and the NVMCTRL peripheral to access the nonvolatile memory
  - CLK\_PER is used by all peripherals that are not listed under asynchronous clocks
- **Clocks running asynchronously to the main clock domain:**
  - CLK\_RTC is used by the RTC/PIT. It will be requested when the RTC/PIT is enabled. The clock source for CLK\_RTC may only be changed if the peripheral is disabled.
  - CLK\_WDT is used by the WDT. It will be requested when the WDT is enabled.
  - CLK\_BOD is used by the BOD. It will be requested when the BOD is enabled in Sampled mode.



The clock source for the for the main clock domain is configured by writing to the Clock Select (CLKSEL) bits in the Main Clock Control A (CLKCTRL.MCLKCTRLA) register. The asynchronous clock sources are configured by registers in the respective peripheral.

### 10.2.2 Signal Description

| Signal | Type           | Description    |
|--------|----------------|----------------|
| CLKOUT | Digital output | CLK_PER output |

## 10.3 Functional Description

### 10.3.1 Sleep Mode Operation

When a clock source is not used or requested, it will stop. It is possible to request a clock source directly by writing a '1' to the Run Standby (RUNSTDBY) bit in the respective oscillator's Control A (CLKCTRL.[osc]CTRLA) register. This will cause the oscillator to run constantly, except for Power-Down sleep mode. Additionally, when this bit is written to '1', the oscillator start-up time is eliminated when the clock source is requested by a peripheral.

The main clock will always run in Active and Idle sleep modes. In Standby sleep mode, the main clock will run only if any peripheral is requesting it, or the Run in Standby (RUNSTDBY) bit in the respective oscillator's Control A (CLKCTRL.[osc]CTRLA) register is written to '1'.

In Power-Down sleep mode, the main clock will stop after all NVM operations are completed. Refer to the *Sleep Controller* section for more details on sleep mode operation.

### 10.3.2 Main Clock Selection and Prescaler

All internal oscillators can be used as the main clock source for CLK\_MAIN. The main clock source is selectable from software and can be safely changed during normal operation.

Built-in hardware protection prevents unsafe clock switching:

Upon selection of an external clock source, a switch to the chosen clock source will only occur if edges are detected. Until a sufficient number of clock edges are detected the switch will not occur, and it will not be possible to change to another clock source again without executing a Reset.

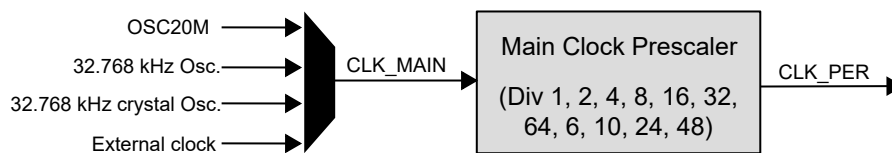
An ongoing clock source switch is indicated by the System Oscillator Changing (SOSC) flag in the Main Clock Status (CLKCTRL.MCLKSTATUS) register. The stability of the external clock sources is indicated by the respective status (EXTS and XOSC32KS in CLKCTRL.MCLKSTATUS) flags.

#### ⚠ CAUTION

1. If an external clock source fails while used as the CLK\_MAIN source, only the WDT can provide a mechanism to switch back via System Reset.
2. Do not alter the properties of the external clock source while used as the CLK\_MAIN source. This can be interpreted as a clock failure.

CLK\_MAIN is fed into a prescaler before it is used by the peripherals (CLK\_PER) in the device. The prescaler divide CLK\_MAIN by a factor from 1 to 64.

**Figure 10-2. Main Clock and Prescaler**



---

The Main Clock and Prescaler configuration (CLKCTRL.MCLKCTRLA, CLKCTRL.MCLKCTRLB) registers are protected by the Configuration Change Protection Mechanism, employing a timed write procedure for changing these registers.

### 10.3.3 Main Clock After Reset

After any Reset, CLK\_MAIN is provided by the 16/20 MHz oscillator (OSC20M) and with a prescaler division factor of 6. The actual frequency of the OSC20M is determined by the Frequency Select (FREQSEL) bits of the Oscillator Configuration (FUSE.OSCCFG) fuse. Refer to the description of FUSE.OSCCFG for details of the possible frequencies after Reset.

### 10.3.4 Clock Sources

The clock sources are divided into two main groups: internal oscillators and external clock sources. All the internal clock sources are automatically enabled when they are requested by a peripheral.

The crystal oscillator must be enabled by writing a '1' to the ENABLE bit in the 32.768 kHz Crystal Oscillator Control A (CLKCTRL.XOSC32KCTRLA) register before it can serve as a clock source.

After Reset, the device starts running from the internal high-frequency oscillator or the internal 32.768 kHz oscillator.

The respective Oscillator Status bits in the Main Clock Status (CLKCTRL.MCLKSTATUS) register indicate if the clock source is running and stable.

#### 10.3.4.1 Internal Oscillators

The internal oscillators do not require any external components to run. See the related links for accuracy and electrical characteristics.

##### 10.3.4.1.1 16/20 MHz Oscillator (OSC20M)

This oscillator can operate at multiple frequencies, selected by the value of the Frequency Select (FREQSEL) bits in the Oscillator Configuration (FUSE.OSCCFG) fuse.

After a system Reset, FUSE.OSCCFG determines the initial frequency of CLK\_MAIN.

During Reset, the calibration values for the OSC20M are loaded from fuses. There are two different calibration bit fields. The Calibration bit field (CAL20M) in the Calibration A (CLKCTRL.OSC20MCALIBA) register enables calibration around the current center frequency. The Oscillator Temperature Coefficient Calibration (TEMPCAL20M) bit field in the Calibration B (CLKCTRL.OSC20MCALIBB) register enables adjustment of the slope of the temperature drift compensation.

For applications requiring more fine-tuned frequency than provided by the oscillator calibration, the remaining oscillator frequency error measured during calibration is available in the Signature Row (SIGROW) for additional compensation.

The oscillator calibration can be locked by the Oscillator Lock (OSCLOCK in FUSE.OSCCFG) fuse. When this fuse is '1', it is not possible to change the calibration. The calibration is locked if this oscillator is used as the main clock source and the Lock Enable (LOCKEN) bit in the Control B (CLKCTRL.OSC20MCALIBB) register is '1'.

The calibration bits are protected by the Configuration Change Protection Mechanism, requiring a timed write procedure for changing the main clock and prescaler settings.

Refer to the *Electrical Characteristics* section for the start-up time.

#### **OSC20M Stored Frequency Error Compensation**

This oscillator can operate at multiple frequencies, selected by the value of the Frequency Select (FREQSEL) bits in the Oscillator Configuration (FUSE.OSCCFG) fuse at Reset. As previously mentioned, appropriate calibration values are loaded to adjust to center frequency (OSC20M), and temperature drift compensation (TEMPCAL20M), meeting the specifications defined in the internal oscillator characteristics. For applications requiring a wider operating range, the relative factory stored frequency error after calibrations can be used. The four errors are measured at different settings and are available in the signature row as signed byte values.

- SIGROW.OSC16ERR3V is the frequency error from 16 MHz measured at 3V
- SIGROW.OSC16ERR5V is the frequency error from 16 MHz measured at 5V
- SIGROW.OSC20ERR3V is the frequency error from 20 MHz measured at 3V

- SIGROW.OSC20ERR5V is the frequency error from 20 MHz measured at 5V

The error is stored as a compressed **Q1.10** fixed point 8-bit value in order not to lose resolution, where the MSb is the sign bit and the seven LSb the lower bits of the **Q1.10**.

$$\text{BAUD}_{\text{actual}} = \left( \text{BAUD}_{\text{ideal}} + \frac{\text{BAUD}_{\text{ideal}} * \text{SigRowError}}{1024} \right)$$

The minimum legal BAUD register value is 0x40. The target BAUD register value may therefore not be lower than 0x4A to ensure that the compensated BAUD value stays within the legal range, even for parts with negative compensation values. The example code below demonstrates how to apply this value for a more accurate USART baud rate:

```
#include <assert.h>
/* Baud rate compensated with factory stored frequency error */
/* Asynchronous communication without Auto-baud (Sync ) */
/* 16MHz Clock, 3V and 600 BAUD */

int8_t sigrow_val = SIGROW.OSC16ERR3V; // read signed error
int32_t baud_reg_val = 600; // ideal BAUD register value

assert (baud_reg_val >= 0x4A); // Verify legal min BAUD register value with
max neg comp
baud_reg_val *= (1024 + sigrow_val); // sum resolution + error
baud_reg_val /= 1024; // divide by resolution
USART0.BAUD = (int16_t) baud_reg_val; // set adjusted baud rate
```

### 10.3.4.1.2 32.768 kHz Oscillator (OSCULP32K)

The 32.768 kHz oscillator is optimized for Ultra Low-Power (ULP) operation. Power consumption is decreased at the cost of decreased accuracy compared to an external crystal oscillator.

This oscillator provides the 1.024 kHz signal for the Real-Time Counter (RTC), the Watchdog Timer (WDT), and the Brown-out Detector (BOD).

The start-up time of this oscillator is the oscillator start-up time plus four oscillator cycles. Refer to section *Electrical Characteristics* for the start-up time.

### 10.3.4.2 External Clock Sources

These external clock sources are available:

- External Clock from a pin (EXTCLK).
- The TOSC1 and TOSC2 pins are dedicated to driving a 32.768 kHz crystal oscillator (XOSC32K).
- Instead of a crystal oscillator, TOSC1 can be configured to accept an external clock source.

#### 10.3.4.2.1 32.768 kHz Crystal Oscillator (XOSC32K)

This oscillator supports two input options: Either a crystal is connected to the pins TOSC1 and TOSC2, or an external clock running at 32.768 kHz is connected to TOSC1. The input option must be configured by writing the Source Select (SEL) bit in the XOSC32K Control A (CLKCTRL.XOSC32KCTRLA) register.

The XOSC32K is enabled by writing a '1' to its ENABLE bit in CLKCTRL.XOSC32KCTRLA. When enabled, the configuration of the GPIO pins used by the XOSC32K is overridden as TOSC1 and TOSC2 pins. The Enable bit needs to be set for the oscillator to start running when requested.

The start-up time of a given crystal oscillator can be accommodated by writing to the Crystal Start-up Time bits (CSUT) in CLKCTRL.XOSC32KCTRLA.

When XOSC32K is configured to use an external clock on TOSC1, the start-up time is fixed to two cycles.

#### 10.3.4.2.2 External Clock (EXTCLK)

The EXTCLK is taken directly from the pin. This GPIO pin is automatically configured for EXTCLK if any peripheral is requesting this clock.

This clock source has a start-up time of two cycles when first requested.

### 10.3.5 Configuration Change Protection

This peripheral has registers that are under Configuration Change Protection (CCP). To write to these registers, a certain key must first be written to the CPU.CCP register, followed by a write access to the protected bits within four CPU instructions.

Attempting to write to a protected register without following the appropriate CCP unlock sequence leaves the protected register unchanged.

The following registers are under CCP:

**Table 10-1. CLKCTRL - Registers Under Configuration Change Protection**

| Register             | Key   |
|----------------------|-------|
| CLKCTRL.MCLKCTRLB    | IOREG |
| CLKCTRL.MCLKLOCK     | IOREG |
| CLKCTRL.XOSC32CTRLA  | IOREG |
| CLKCTRL.MCLKCTRLA    | IOREG |
| CLKCTRL.OSC20MCTRLA  | IOREG |
| CLKCTRL.OSC20MCALIBA | IOREG |
| CLKCTRL.OSC20MCALIBB | IOREG |
| CLKCTRL.OSC32CTRLA   | IOREG |

## 10.4 Register Summary

| Offset              | Name                         | Bit Pos. | 7      | 6        | 5         | 4       | 3           | 2               | 1           | 0      |
|---------------------|------------------------------|----------|--------|----------|-----------|---------|-------------|-----------------|-------------|--------|
| 0x00                | <a href="#">MCLKCTRLA</a>    | 7:0      | CLKOUT |          |           |         |             |                 | CLKSEL[1:0] |        |
| 0x01                | <a href="#">MCLKCTRLB</a>    | 7:0      |        |          |           |         | PDIV[3:0]   |                 |             | PEN    |
| 0x02                | <a href="#">MCLKLOCK</a>     | 7:0      |        |          |           |         |             |                 |             | LOCKEN |
| 0x03                | <a href="#">MCLKSTATUS</a>   | 7:0      | EXTS   | XOSC32KS | OSC32KS   | OSC20MS |             |                 |             | SOSC   |
| 0x04<br>...<br>0x0F | Reserved                     |          |        |          |           |         |             |                 |             |        |
| 0x10                | <a href="#">OSC20MCTRLA</a>  | 7:0      |        |          |           |         |             |                 | RUNSTDBY    |        |
| 0x11                | <a href="#">OSC20MCALIBA</a> | 7:0      |        |          |           |         | CAL20M[6:0] |                 |             |        |
| 0x12                | <a href="#">OSC20MCALIBB</a> | 7:0      | LOCK   |          |           |         |             | TEMPCAL20M[3:0] |             |        |
| 0x13<br>...<br>0x17 | Reserved                     |          |        |          |           |         |             |                 |             |        |
| 0x18                | <a href="#">OSC32KCTRLA</a>  | 7:0      |        |          |           |         |             |                 | RUNSTDBY    |        |
| 0x19<br>...<br>0x1B | Reserved                     |          |        |          |           |         |             |                 |             |        |
| 0x1C                | <a href="#">XOSC32KCTRLA</a> | 7:0      |        |          | CSUT[1:0] |         |             | SEL             | RUNSTDBY    | ENABLE |

## 10.5 Register Description

### 10.5.1 Main Clock Control A

**Name:** MCLKCTRLA  
**Offset:** 0x00  
**Reset:** 0x00  
**Property:** Configuration Change Protection

|        |     |        |   |   |   |   |   |             |     |
|--------|-----|--------|---|---|---|---|---|-------------|-----|
|        | Bit | 7      | 6 | 5 | 4 | 3 | 2 | 1           | 0   |
|        |     | CLKOUT |   |   |   |   |   | CLKSEL[1:0] |     |
| Access |     | R/W    |   |   |   |   |   | R/W         | R/W |
| Reset  |     | 0      |   |   |   |   |   | 0           | 0   |

**Bit 7 – CLKOUT** System Clock Out

When this bit is written to '1', the system clock is output to the CLKOUT pin.

When the device is in a sleep mode, there is no clock output unless a peripheral is using the system clock.

**Bits 1:0 – CLKSEL[1:0]** Clock Select

This bit field selects the source for the Main Clock (CLK\_MAIN).

| Value | Name      | Description                                    |
|-------|-----------|--|
| 0x0   | OSC20M    | 16/20 MHz internal oscillator                  |
| 0x1   | OSCULP32K | 32.768 kHz internal ultra low-power oscillator |
| 0x2   | XOSC32K   | 32.768 kHz external crystal oscillator         |
| 0x3   | EXTCLK    | External clock                                 |

### 10.5.2 Main Clock Control B

**Name:** MCLKCTRLB  
**Offset:** 0x01  
**Reset:** 0x11  
**Property:** Configuration Change Protection

|        |   |   |   |     |           |     |     |     |
|--------|---|---|---|-----|-----------|-----|-----|-----|
|        | 7 | 6 | 5 | 4   | 3         | 2   | 1   | 0   |
|        |   |   |   |     | PDIV[3:0] |     |     | PEN |
| Access |   |   |   | R/W | R/W       | R/W | R/W | R/W |
| Reset  |   |   |   | 1   | 0         | 0   | 0   | 1   |

**Bits 4:1 – PDIV[3:0]** Prescaler Division

If the Prescaler Enable (PEN) bit is written to ‘1’, these bits define the division ratio of the main clock prescaler. These bits can be written during run-time to vary the clock frequency of the system to suit the application requirements.

The user software must ensure a correct configuration of the input frequency (CLK\_MAIN) and prescaler settings, so that the resulting frequency of CLK\_PER never exceeds the allowed maximum (see *Electrical Characteristics*).

| Value   | Name  | Description            |
|---------|-------|------------------------|
| 0x0     | DIV2  | CLK_MAIN divided by 2  |
| 0x1     | DIV4  | CLK_MAIN divided by 4  |
| 0x2     | DIV8  | CLK_MAIN divided by 8  |
| 0x3     | DIV16 | CLK_MAIN divided by 16 |
| 0x4     | DIV32 | CLK_MAIN divided by 32 |
| 0x5     | DIV64 | CLK_MAIN divided by 64 |
| 0x6–0x7 | -     | Reserved               |
| 0x8     | DIV6  | CLK_MAIN divided by 6  |
| 0x9     | DIV10 | CLK_MAIN divided by 10 |
| 0xA     | DIV12 | CLK_MAIN divided by 12 |
| 0xB     | DIV24 | CLK_MAIN divided by 24 |
| 0xC     | DIV48 | CLK_MAIN divided by 48 |
| other   | -     | Reserved               |

**Bit 0 – PEN** Prescaler Enable

This bit must be written to ‘1’ to enable the prescaler. When enabled, the division ratio is selected by the PDIV bit field.

When this bit is written to ‘0’, the main clock will pass through undivided (CLK\_PER = CLK\_MAIN), regardless of the value of PDIV.

**10.5.3 Main Clock Lock**

**Name:** MCLKLOCK  
**Offset:** 0x02  
**Reset:** Based on OSCLOCK in FUSE.OSCCFG  
**Property:** Configuration Change Protection

|        |   |   |   |   |   |   |   |        |
|--------|---|---|---|---|---|---|---|--------|
|        | 7 | 6 | 5 | 4 | 3 | 2 | 1 | 0      |
|        |   |   |   |   |   |   |   | LOCKEN |
| Access |   |   |   |   |   |   |   | R/W    |
| Reset  |   |   |   |   |   |   |   | x      |

**Bit 0 – LOCKEN** Lock Enable

Writing this bit to '1' will lock the CLKCTRL.MCLKCTRLA and CLKCTRL.MCLKCTRLB registers, and, if applicable, the calibration settings for the current main clock source from further software updates. Once locked, the CLKCTRL.MCLKLOCK registers cannot be accessed until the next hardware Reset.

This provides protection for the CLKCTRL.MCLKCTRLA and CLKCTRL.MCLKCTRLB registers and calibration settings for the main clock source from unintentional modification by software.

At Reset, the LOCKEN bit is loaded based on the OSCLOCK bit in FUSE.OSCCFG.



### 10.5.4 Main Clock Status

**Name:** MCLKSTATUS  
**Offset:** 0x03  
**Reset:** 0x00  
**Property:** -

|        |      |          |         |         |   |   |   |      |
|--------|------|----------|---------|---------|---|---|---|------|
|        | 7    | 6        | 5       | 4       | 3 | 2 | 1 | 0    |
|        | EXTS | XOSC32KS | OSC32KS | OSC20MS |   |   |   | SOSC |
| Access | R    | R        | R       | R       |   |   |   | R    |
| Reset  | 0    | 0        | 0       | 0       |   |   |   | 0    |

#### Bit 7 – EXTS External Clock Status

| Value | Description            |
|-------|------------------------|
| 0     | EXTCLK has not started |
| 1     | EXTCLK has started     |

#### Bit 6 – XOSC32KS XOSC32K Status

The Status bit will only be available if the source is requested as the main clock or by another module. If the oscillator RUNSTDBY bit is set and the oscillator is unused/not requested, this bit will be '0'.

| Value | Description           |
|-------|-----------------------|
| 0     | XOSC32K is not stable |
| 1     | XOSC32K is stable     |

#### Bit 5 – OSC32KS OSCULP32K Status

The Status bit will only be available if the source is requested as the main clock or by another module. If the oscillator RUNSTDBY bit is set and the oscillator is unused/not requested, this bit will be '0'.

| Value | Description             |
|-------|-------------------------|
| 0     | OSCULP32K is not stable |
| 1     | OSCULP32K is stable     |

#### Bit 4 – OSC20MS OSC20M Status

The Status bit will only be available if the source is requested as the main clock or by another module. If the oscillator RUNSTDBY bit is set and the oscillator is unused/not requested, this bit will be '0'.

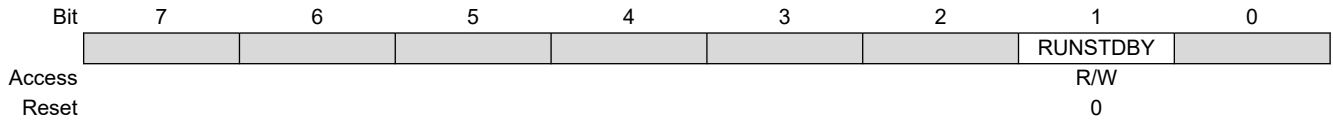
| Value | Description          |
|-------|----------------------|
| 0     | OSC20M is not stable |
| 1     | OSC20M is stable     |

#### Bit 0 – SOSC Main Clock Oscillator Changing

| Value | Description  |
|-------|--|
| 0     | The clock source for CLK_MAIN is not undergoing a switch   |
| 1     | The clock source for CLK_MAIN is undergoing a switch and will change as soon as the new source is stable |

**10.5.5 16/20 MHz Oscillator Control A**

**Name:** OSC20MCTRLA  
**Offset:** 0x10  
**Reset:** 0x00  
**Property:** Configuration Change Protection



**Bit 1 – RUNSTDBY** Run Standby

This bit forces the oscillator ON in all modes, even when unused by the system. In Standby sleep mode this can be used to ensure immediate wake-up and not waiting for oscillator start-up time.

When not requested by peripherals, no oscillator output is provided.

It takes four oscillator cycles to open the clock gate after a request but the oscillator analog start-up time will be removed when this bit is set.

**10.5.6 16/20 MHz Oscillator Calibration A**

**Name:** OSC20MCALIBA  
**Offset:** 0x11  
**Reset:** Based on FREQSEL in FUSE.OSCCFG  
**Property:** Configuration Change Protection

|        |             |     |     |     |     |     |     |     |
|--------|-------------|-----|-----|-----|-----|-----|-----|-----|
|        | 7           | 6   | 5   | 4   | 3   | 2   | 1   | 0   |
| Bit    | CAL20M[6:0] |     |     |     |     |     |     |     |
| Access |             | R/W | R/W | R/W | R/W | R/W | R/W | R/W |
| Reset  |             | x   | x   | x   | x   | x   | x   | x   |

**Bits 6:0 – CAL20M[6:0] Calibration**

These bits change the frequency around the current center frequency of the OSC20M for fine-tuning. At Reset, the factory-calibrated values are loaded based on the FREQSEL bit in FUSE.OSCCFG.

### 10.5.7 16/20 MHz Oscillator Calibration B

**Name:** OSC20MCALIBB  
**Offset:** 0x12  
**Reset:** Based on FUSE.OSCCFG  
**Property:** Configuration Change Protection

|        |      |   |   |   |     |                 |     |     |
|--------|------|---|---|---|-----|-----------------|-----|-----|
|        | 7    | 6 | 5 | 4 | 3   | 2               | 1   | 0   |
|        | LOCK |   |   |   |     | TEMPCAL20M[3:0] |     |     |
| Access | R    |   |   |   | R/W | R/W             | R/W | R/W |
| Reset  | x    |   |   |   | x   | x               | x   | x   |

**Bit 7 – LOCK** Oscillator Calibration Locked by Fuse

When this bit is set, the calibration settings in CLKCTRL.OSC20MCALIBA and CLKCTRL.OSC20MCALIBB cannot be changed.

The Reset value is loaded from the OSCLOCK bit in the Oscillator Configuration (FUSE.OSCCFG) fuse.

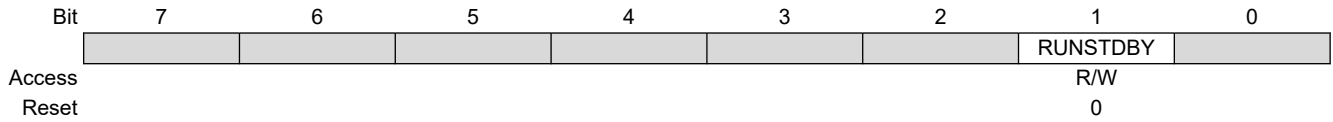
**Bits 3:0 – TEMPCAL20M[3:0]** Oscillator Temperature Coefficient Calibration

These bits tune the slope of the temperature compensation.

At Reset, the factory-calibrated values are loaded based on the FREQSEL bits in FUSE.OSCCFG.

**10.5.8 32.768 kHz Oscillator Control A**

**Name:** OSC32KCTRLA  
**Offset:** 0x18  
**Reset:** 0x00  
**Property:** Configuration Change Protection



**Bit 1 – RUNSTDBY** Run Standby

This bit forces the oscillator ON in all modes, even when unused by the system. In Standby sleep mode this can be used to ensure immediate wake-up and not waiting for the oscillator start-up time.

When not requested by peripherals, no oscillator output is provided.

It takes four oscillator cycles to open the clock gate after a request but the oscillator analog start-up time will be removed when this bit is set.

### 10.5.9 32.768 kHz Crystal Oscillator Control A

**Name:** XOSC32KCTRLA  
**Offset:** 0x1C  
**Reset:** 0x00  
**Property:** Configuration Change Protection

The SEL and CSUT bits cannot be changed as long as the ENABLE bit is set or the XOSC32K Stable (XOSC32KS) bit in CLKCTRL.MCLKSTATUS is high.

To change settings safely: Write a '0' to the ENABLE bit and wait until XOSC32KS is '0' before re-enabling the XOSC32K with new settings.

|        |   |   |           |     |   |     |          |        |
|--------|---|---|-----------|-----|---|-----|----------|--------|
| Bit    | 7 | 6 | 5         | 4   | 3 | 2   | 1        | 0      |
|        |   |   | CSUT[1:0] |     |   | SEL | RUNSTDBY | ENABLE |
| Access |   |   | R/W       | R/W |   | R/W | R/W      | R/W    |
| Reset  |   |   | 0         | 0   |   | 0   | 0        | 0      |

#### Bits 5:4 – CSUT[1:0] Crystal Start-Up Time

These bits select the start-up time for the XOSC32K. It is write-protected when the oscillator is enabled (ENABLE = 1).

If SEL = 1, the start-up time will not be applied.

| Value | Name | Description |
|-------|------|-------------|
| 0x0   | 1K   | 1k cycles   |
| 0x1   | 16K  | 16k cycles  |
| 0x2   | 32K  | 32k cycles  |
| 0x3   | 64K  | 64k cycles  |

#### Bit 2 – SEL Source Select

This bit selects the external source type. It is write-protected when the oscillator is enabled (ENABLE = 1).

| Value | Description                 |
|-------|-----------------------------|
| 0     | External crystal            |
| 1     | External clock on TOSC1 pin |

#### Bit 1 – RUNSTDBY Run Standby

Writing this bit to '1' starts the crystal oscillator and forces the oscillator ON in all modes, even when unused by the system if the ENABLE bit is set. In Standby sleep mode, this can be used to ensure immediate wake-up and not waiting for oscillator start-up time. When this bit is '0', the crystal oscillator is only running when requested and the ENABLE bit is set.

The output of XOSC32K is not sent to other peripherals unless it is requested by one or more peripherals.

When the RUNSTDBY bit is set, there will only be a delay of two to three crystal oscillator cycles after a request until the oscillator output is received, if the initial crystal start-up time has already completed.

According to RUNSTDBY bit, the oscillator will be turned ON all the time if the device is in Active, Idle, or Standby sleep mode, or only be enabled when requested.

This bit is I/O protected to prevent any unintentional enabling of the oscillator.

#### Bit 0 – ENABLE Enable

When this bit is written to '1', the configuration of the respective input pins is overridden to TOSC1 and TOSC2. Also, the Source Select (SEL) bit and Crystal Start-Up Time (CSUT) become read-only.

This bit is I/O protected to prevent any unintentional enabling of the oscillator.

## 11. SLPCTRL - Sleep Controller

### 11.1 Features

- Power Management for Adjusting Power Consumption and Functions
- Three Sleep Modes:
  - Idle
  - Standby
  - Power-Down
- Configurable Standby Mode where Peripherals Can Be Configured as ON or OFF

### 11.2 Overview

Sleep modes are used to shut down peripherals and clock domains in the device in order to save power. The Sleep Controller (SLPCTRL) controls and handles the transitions between Active and sleep modes.

There are four modes available: One Active mode in which software is executed, and three sleep modes. The available sleep modes are Idle, Standby and Power-Down.

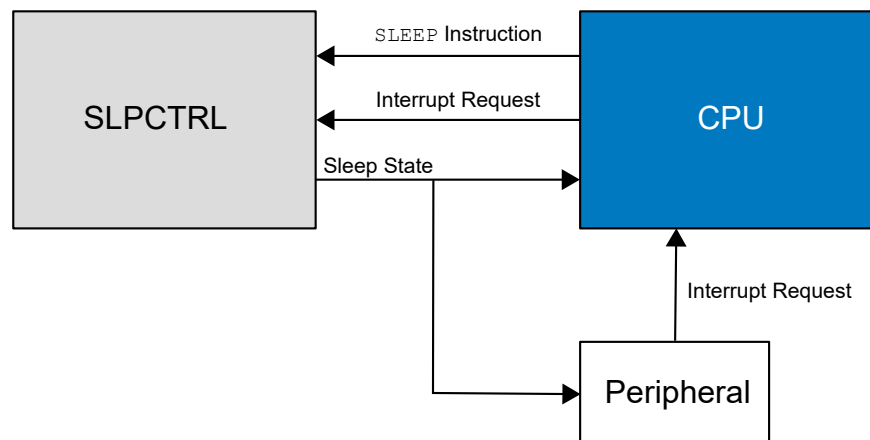
All sleep modes are available and can be entered from the Active mode. In Active mode, the CPU is executing application code. When the device enters sleep mode, the program execution is stopped. The application code decides which sleep mode to enter and when.

Interrupts are used to wake the device from sleep. The available interrupt wake-up sources depend on the configured sleep mode. When an interrupt occurs, the device will wake up and execute the Interrupt Service Routine before continuing normal program execution from the first instruction after the `SLEEP` instruction. Any Reset will take the device out of sleep mode.

The content of the register file, SRAM and registers, is kept during sleep. If a Reset occurs during sleep, the device will reset, start and execute from the Reset vector.

#### 11.2.1 Block Diagram

**Figure 11-1. Sleep Controller in the System**



### 11.3 Functional Description

#### 11.3.1 Initialization

To put the device into a sleep mode, follow these steps:

1. Configure and enable the interrupts that are able to wake the device from sleep.  
Also, enable global interrupts.



If there are no interrupts enabled when going to sleep, the device cannot wake up again. Only a Reset will allow the device to continue operation.

2. Select which sleep mode to enter and enable the Sleep Controller by writing to the Sleep Mode (SMODE) bit field and the Enable (SEN) bit in the Control A (SLPCTRL.CTRLA) register.  
The `SLEEP` instruction must be executed to make the device go to sleep.

### 11.3.2 Operation

#### 11.3.2.1 Sleep Modes

In addition to Active mode, there are three different sleep modes with decreasing power consumption and functionality.

**Idle** The CPU stops executing code. No peripherals are disabled, and all interrupt sources can wake the device.

**Standby** The user can configure peripherals to be enabled or not, using the respective `RUNSTBY` bit. This means that the power consumption is highly dependent on what functionality is enabled, and thus may vary between the Idle and Power-Down levels.  
SleepWalking is available for the ADC module.

**Power-Down** BOD, WDT, and PIT (a component of the RTC) are active.  
The only wake-up sources are the pin change interrupt, PIT, VLM, TWI address match, and CCL.

**Table 11-1. Sleep Mode Activity Overview for Peripherals**

| Peripheral            | Active in Sleep Mode |                    |                  |
|-----------------------|----------------------|--------------------|------------------|
|                       | Idle                 | Standby            | Power-Down       |
| CPU                   |                      |                    |                  |
| RTC                   | X                    | X <sup>(1,2)</sup> | X <sup>(2)</sup> |
| WDT                   | X                    | X                  | X                |
| BOD                   | X                    | X                  | X                |
| EVSYS                 | X                    | X                  | X                |
| CCL                   | X                    | X <sup>(1)</sup>   |                  |
| ACn                   |                      |                    |                  |
| ADCn                  |                      |                    |                  |
| TCBn                  |                      |                    |                  |
| All other peripherals | X                    |                    |                  |

**Notes:**

1. For the peripheral to run in Standby sleep mode, the `RUNSTDBY` bit of the corresponding peripheral must be set.
2. In Standby sleep mode, only the RTC functionality requires the `RUNSTDBY` bit to be set.  
In Power-Down sleep mode, only the PIT functionality is available.



**Table 11-2. Sleep Mode Activity Overview for Clock Sources**

| Clock Source                  | Active in Sleep Mode |                    |                  |
|-------------------------------|----------------------|--------------------|------------------|
|                               | Idle                 | Standby            | Power-Down       |
| Main Clock Source             | X                    | X <sup>(1)</sup>   |                  |
| RTC Clock Source              | X                    | X <sup>(1,2)</sup> | X <sup>(2)</sup> |
| WDT Oscillator                | X                    | X                  | X                |
| BOD Oscillator <sup>(3)</sup> | X                    | X                  | X                |
| CCL clock source              | X                    | X <sup>(1)</sup>   |                  |

**Notes:**

1. For the clock source to run in Standby sleep mode, the RUNSTDBY bit of the corresponding peripheral must be set.
2. In Standby sleep mode, only the RTC functionality requires the RUNSTDBY bit to be set. In Power-Down sleep mode, only the PIT functionality is available.
3. The Sampled mode only.

**Table 11-3. Sleep Mode Wake-Up Sources**

| Wake-Up Source                    | Active in Sleep Mode |                    |                  |
|-----------------------------------|----------------------|--------------------|------------------|
|                                   | Idle                 | Standby            | Power-Down       |
| PORT Pin interrupt                | X                    | X                  | X <sup>(1)</sup> |
| TWI Address Match interrupt       | X                    | X                  | X                |
| BOD VLM interrupt                 | X                    | X                  | X                |
| CCL interrupts                    | X                    | X <sup>(2,3)</sup> | X <sup>(3)</sup> |
| RTC interrupts                    | X                    | X <sup>(2,4)</sup> | X <sup>(4)</sup> |
| USART interrupts                  | X <sup>(5)</sup>     | X <sup>(6)</sup>   | -                |
| TCA <sub>n</sub> interrupts       | X                    | X <sup>(2)</sup>   |                  |
| TCB <sub>n</sub> interrupts       |                      |                    |                  |
| ADC <sub>n</sub> interrupts       |                      |                    |                  |
| AC <sub>n</sub> Compare interrupt |                      |                    |                  |
| All other interrupts              | X                    | -                  | -                |

**Notes:**

1. The I/O pin has to be configured according to *Asynchronous Sensing Pin Properties* in the PORT section.
2. RUNSTDBY bit of the corresponding peripheral must be set to enter an active state.
3. CCL can wake up the device if the path through LUT<sub>n</sub> is asynchronous (FILTSSEL=0x0 and EDGEDET=0x0 in LUT<sub>n</sub>CTRLA register).
4. In Standby sleep mode, only the RTC functionality requires the RUNSTDBY to be set to enter an active state. In Power-Down sleep mode, only the PIT functionality is available.
5. Start-of-Frame interrupt is only available in Standby Sleep Mode.
6. In Standby Sleep Mode only the Start-of-Frame interrupt will trigger Wake-Up from USART.

**11.3.2.2 Wake-up Time**

The normal wake-up time for the device is six main clock cycles (CLK\_PER), plus the time it takes to start the main clock source:

- In Idle sleep mode, the main clock source is kept running to eliminate additional wake-up time.

- In Standby sleep mode, the main clock might be running depending on the peripheral configuration.
- In Power-Down sleep mode, only the ULP 32.768 kHz oscillator and the RTC clock may be running if it is used by the BOD or WDT. All other clock sources will be OFF.

**Table 11-4. Sleep Modes and Start-up Time**

| Sleep Mode | Start-up Time        |
|------------|----------------------|
| IDLE       | 6 CLK                |
| Standby    | 6 CLK + OSC start-up |
| Power-Down | 6 CLK + OSC start-up |

The start-up time for the different clock sources is described in the Clock Controller (CLKCTRL) section.

In addition to the normal wake-up time, it is possible to make the device wait until the BOD is ready before executing code. This is done by writing 0x3 to the BOD Operation mode in Active and Idle bits (ACTIVE) in the BOD Configuration fuse (FUSE.BODCFG). If the BOD is ready before the normal wake-up time, the total wake-up time will be the same. If the BOD takes longer than the normal wake-up time, the wake-up time will be extended until the BOD is ready. This ensures correct supply voltage whenever code is executed.

### 11.3.3 Debug Operation

During run-time debugging, this peripheral will continue normal operation. The SLPCTRL is only affected by a break in the debug operation: If the SLPCTRL is in a sleep mode when a break occurs, the device will wake up, and the SLPCTRL will go to Active mode, even if there are no pending interrupt requests.

If the peripheral is configured to require periodic service by the CPU through interrupts or similar, improper operation or data loss may result during halted debugging.

## 11.4 Register Summary

| Offset | Name                  | Bit Pos. | 7 | 6 | 5 | 4 | 3 | 2          | 1 | 0   |
|--------|-----------------------|----------|---|---|---|---|---|------------|---|-----|
| 0x00   | <a href="#">CTRLA</a> | 7:0      |   |   |   |   |   | SMODE[1:0] |   | SEN |

## 11.5 Register Description

### 11.5.1 Control A

**Name:** CTRLA  
**Offset:** 0x00  
**Reset:** 0x00  
**Property:** -

|        |            |   |   |   |   |     |     |     |
|--------|------------|---|---|---|---|-----|-----|-----|
|        | 7          | 6 | 5 | 4 | 3 | 2   | 1   | 0   |
|        | SMODE[1:0] |   |   |   |   |     | SEN |     |
| Access | R          | R | R | R | R | R/W | R/W | R/W |
| Reset  | 0          | 0 | 0 | 0 | 0 | 0   | 0   | 0   |

#### Bits 2:1 – SMODE[1:0] Sleep Mode

Writing these bits selects which sleep mode to enter when the Sleep Enable (SEN) bit is written to '1' and the `SLEEP` instruction is executed.

| Value | Name    | Description                   |
|-------|---------|-------------------------------|
| 0x0   | IDLE    | Idle sleep mode enabled       |
| 0x1   | STANDBY | Standby sleep mode enabled    |
| 0x2   | PDOWN   | Power-Down sleep mode enabled |
| other | -       | Reserved                      |

#### Bit 0 – SEN Sleep Enable

This bit must be written to '1' before the `SLEEP` instruction is executed to make the MCU enter the selected Sleep mode.

## 12. RSTCTRL - Reset Controller

### 12.1 Features

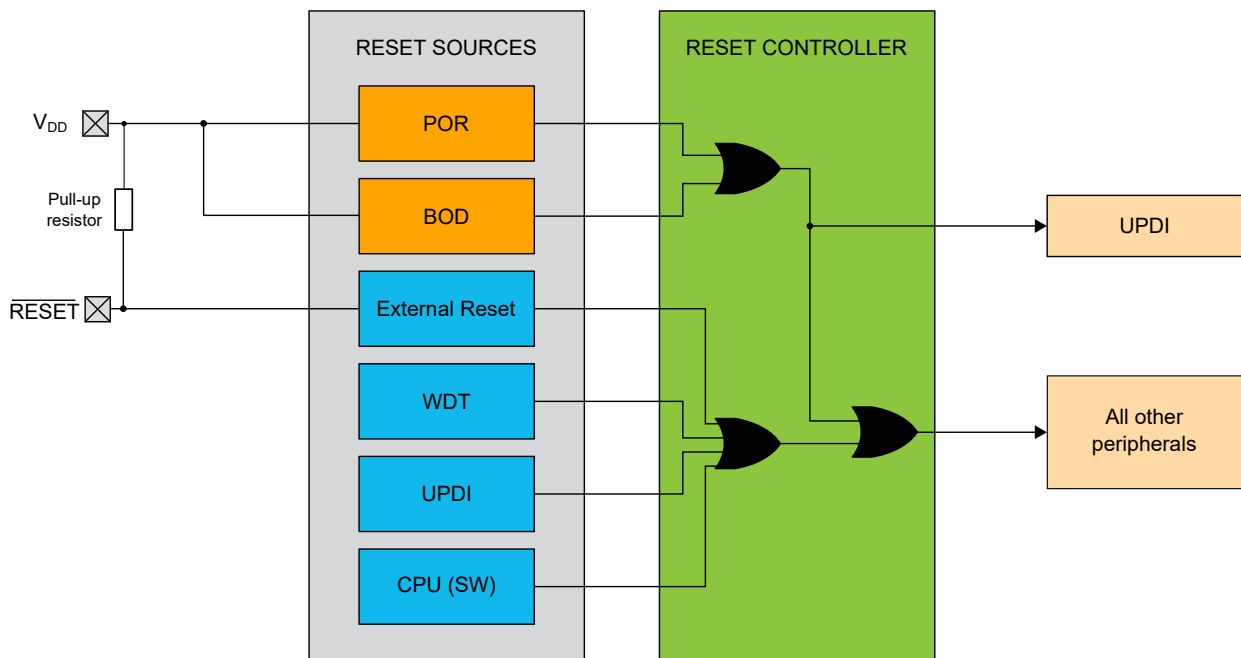
- Returns the Device to an Initial State after a Reset
- Identifies the Previous Reset Source
- Power Supply Reset Sources:
  - Power-on Reset (POR)
  - Brown-out Detector (BOD) Reset
- User Reset Sources:
  - External Reset (RESET)
  - Watchdog Timer (WDT) Reset
  - Software Reset (SWRST)
  - Unified Program and Debug Interface (UPDI) Reset

### 12.2 Overview

The Reset Controller (RSTCTRL) manages the Reset of the device. It issues a device Reset, sets the device to its initial state, and allows the Reset source to be identified by software.

#### 12.2.1 Block Diagram

Figure 12-1. Reset System Overview



#### 12.2.2 Signal Description

| Signal | Description                 | Type          |
|--------|-----------------------------|---------------|
| RESET  | External Reset (active-low) | Digital input |

## 12.3 Functional Description

### 12.3.1 Initialization

The RSTCTRL is always enabled, but some of the Reset sources must be enabled individually (either by Fuses or by software) before they can request a Reset.

After a Reset from any source, the registers in the device with automatic loading from the Fuses or from the Signature Row are updated.

### 12.3.2 Operation

#### 12.3.2.1 Reset Sources

After any Reset, the source that caused the Reset is found in the Reset Flag (RSTCTRL.RSTFR) register. The user can identify the previous Reset source by reading this register in the software application.

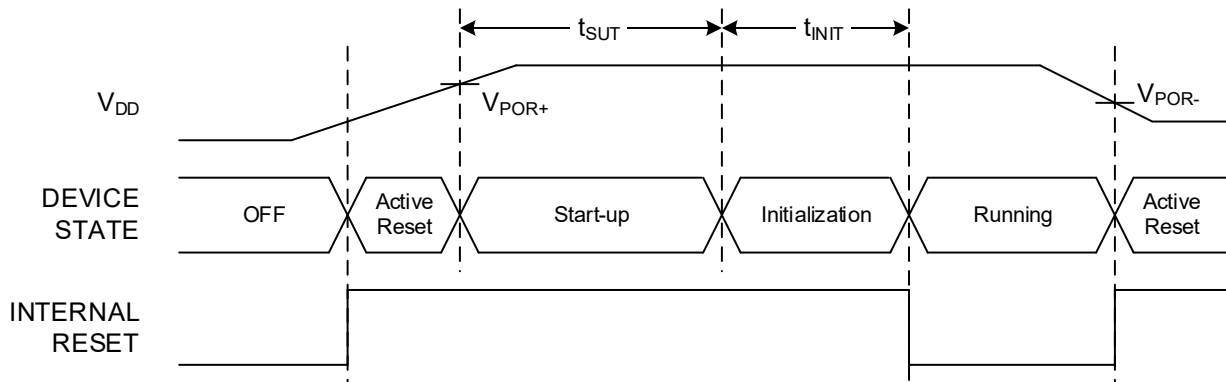
There are two types of Resets based on the source:

- Power Supply Reset Sources:
  - Power-on Reset (POR)
  - Brown-out Detector (BOD) Reset
- User Reset Sources:
  - External Reset ( $\overline{\text{RESET}}$ )
  - Watchdog Timer (WDT) Reset
  - Software Reset (SWRST)
  - Unified Program and Debug Interface (UPDI) Reset

##### 12.3.2.1.1 Power-on Reset (POR)

The purpose of the Power-on Reset (POR) is to ensure a safe start-up of logic and memories. It is generated by an on-chip detection circuit and is always enabled. The POR is activated when the  $V_{DD}$  rises and gives active reset as long as  $V_{DD}$  is below the POR threshold voltage ( $V_{POR+}$ ). The reset will last until the Start-up and reset initialization sequence is finished. The Start-up Time (SUT) is determined by fuses. Reset is activated again, without any delay, when  $V_{DD}$  falls below the detection level ( $V_{POR-}$ ).

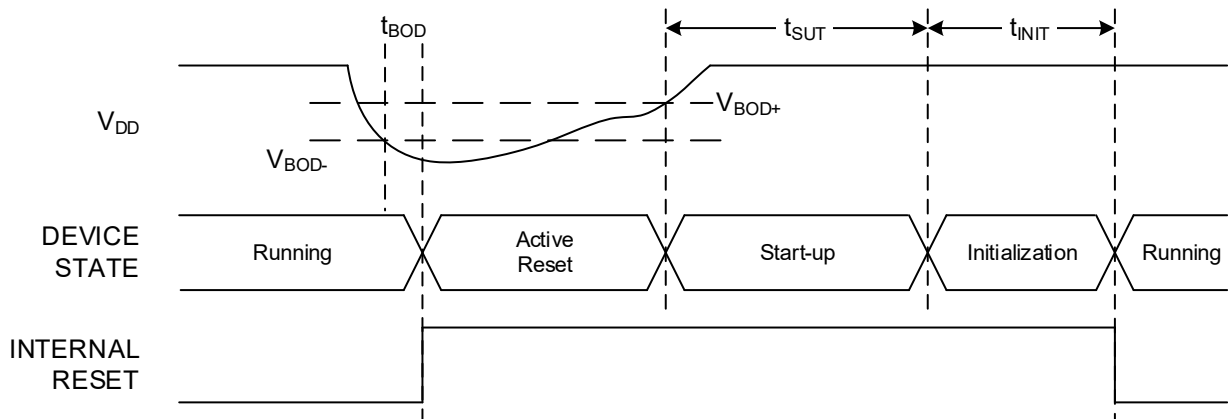
**Figure 12-2. MCU Start-Up,  $\overline{\text{RESET}}$  Tied to  $V_{DD}$**



##### 12.3.2.1.2 Brown-out Detector (BOD) Reset

The on-chip Brown-out Detector (BOD) circuit will monitor the  $V_{DD}$  level during operation by comparing it to a fixed trigger level. The trigger level for the BOD can be selected by fuses. If BOD is unused in the application, it is forced to a minimum level in order to ensure a safe operation during internal Reset and chip erase.

**Figure 12-3. Brown-out Detector Reset**

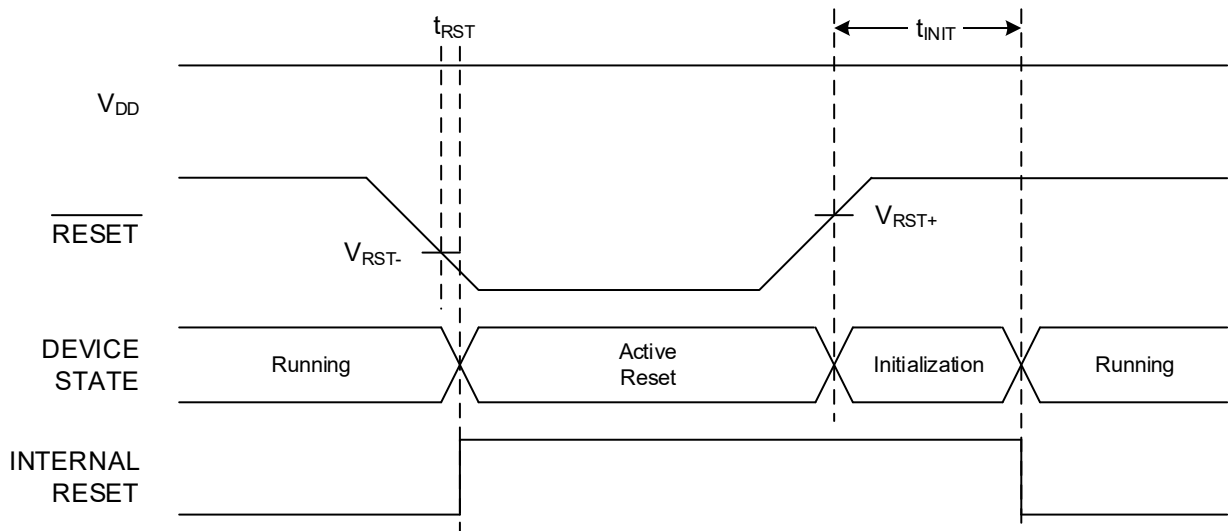


**12.3.2.1.3 External Reset**

The external Reset is enabled by a fuse, see the RSTPINCFG field in FUSE.SYSCFG0.

When enabled, the external Reset requests a Reset as long as the  $\overline{\text{RESET}}$  pin is low. The device will stay in Reset until  $\overline{\text{RESET}}$  is high again.

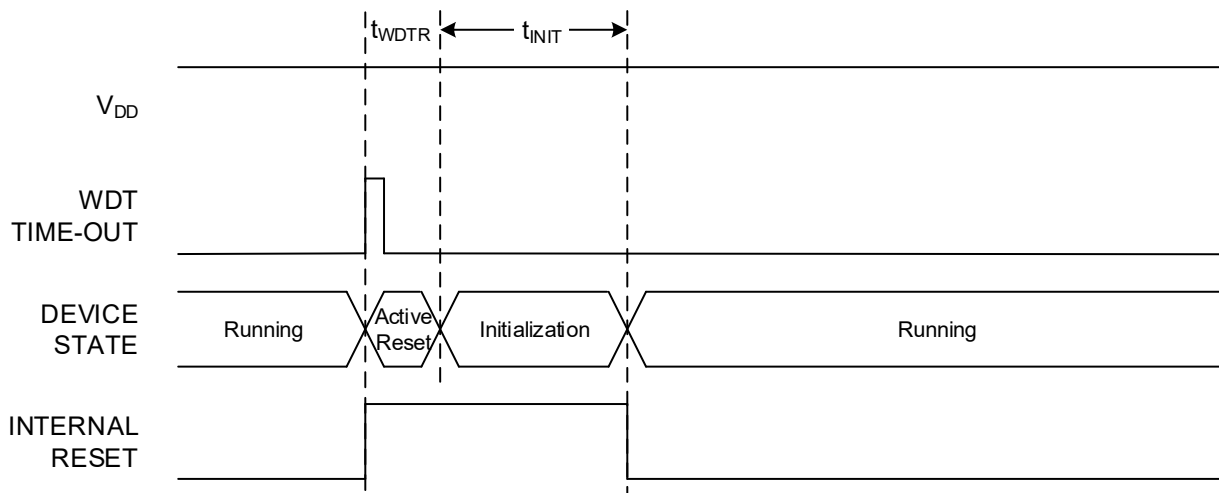
**Figure 12-4. External Reset Characteristics**



**12.3.2.1.4 Watchdog Reset**

The Watchdog Timer (WDT) is a system function for monitoring correct program operation. If the WDT is not reset from software according to the programmed time-out period, a Watchdog Reset will be issued. See the *WDT - Watchdog Timer* section for further details.

Figure 12-5. Watchdog Reset



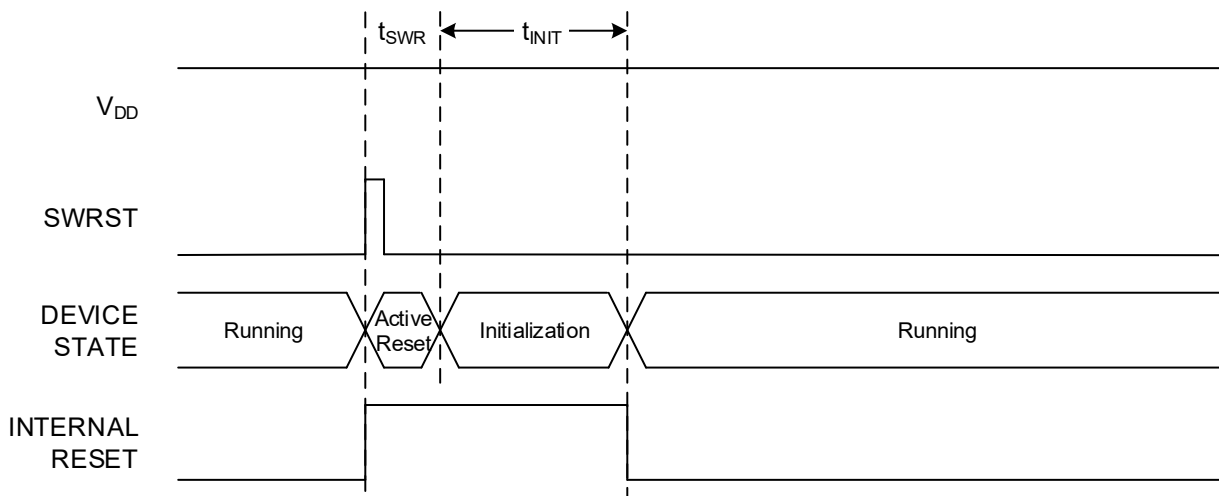
**Note:** The time  $t_{WDTR}$  is approximately 50 ns.

#### 12.3.2.1.5 Software Reset

The software Reset makes it possible to issue a system Reset from software. The Reset is generated by writing a '1' to the Software Reset Enable (SWRE) bit in the Software Reset (RSTCTRL.SWRR) register.

The Reset will take place immediately after the bit is written, and the device will be kept in Reset until the Reset sequence is completed.

Figure 12-6. Software Reset



**Note:** The time  $t_{SWR}$  is approximately 50 ns.

#### 12.3.2.1.6 Unified Program and Debug Interface (UPDI) Reset

The Unified Program and Debug Interface (UPDI) contains a separate Reset source used to reset the device during external programming and debugging. The Reset source is accessible only from external debuggers and programmers. More details can be found in the *UPDI - Unified Program and Debug Interface* section.

#### 12.3.2.1.7 Domains Affected By Reset

The following logic domains are affected by the various Resets:



**Table 12-1. Logic Domains Affected by Various Resets**

| Reset Type     | Fuses are Reloaded | Reset of UPDI | Reset of Other Volatile Logic |
|----------------|--------------------|---------------|-------------------------------|
| POR            | X                  | X             | X                             |
| BOD            | X                  | X             | X                             |
| Software Reset | X                  |               | X                             |
| External Reset | X                  |               | X                             |
| Watchdog Reset | X                  |               | X                             |
| UPDI Reset     | X                  |               | X                             |

### 12.3.2.2 Reset Time

The Reset time can be split into two parts.

The first part is when any of the Reset sources are active. This part depends on the input to the Reset sources. The external Reset is active as long as the RESET pin is low. The Power-on Reset (POR) and the Brown-out Detector (BOD) are active as long as the supply voltage is below the Reset source threshold.

The second part is when all the Reset sources are released, and an internal Reset initialization of the device is done. This time will be increased with the start-up time given by the Start-Up Time Setting (SUT) bit field in the System Configuration 1 (FUSE.SYSCFG1) fuse when the reset is caused by a Power Supply Reset Source. The internal Reset initialization time will also increase if the Cyclic Redundancy Check Memory Scan (CRCSCAN) is configured to run at start-up. This configuration can be changed in the CRC Source (CRCSRC) bit field in the System Configuration 0 (FUSE.SYSCFG0) fuse.

### 12.3.3 Sleep Mode Operation

The RSTCTRL operates in Active mode and in all sleep modes.

### 12.3.4 Configuration Change Protection

This peripheral has registers that are under Configuration Change Protection (CCP). To write to these registers, a certain key must first be written to the CPU.CCP register, followed by a write access to the protected bits within four CPU instructions.

Attempting to write to a protected register without following the appropriate CCP unlock sequence leaves the protected register unchanged.

The following registers are under CCP:

**Table 12-2. RSTCTRL - Registers Under Configuration Change Protection**

| Register     | Key   |
|--------------|-------|
| RSTCTRL.SWRR | IOREG |

## 12.4 Register Summary

| Offset | Name                  | Bit Pos. | 7 | 6 | 5      | 4    | 3    | 2     | 1    | 0    |
|--------|-----------------------|----------|---|---|--------|------|------|-------|------|------|
| 0x00   | <a href="#">RSTFR</a> | 7:0      |   |   | UPDIRF | SWRF | WDRF | EXTRF | BORF | PORF |
| 0x01   | <a href="#">SWRR</a>  | 7:0      |   |   |        |      |      |       |      | SWRE |

## 12.5 Register Description

### 12.5.1 Reset Flag Register

**Name:** RSTFR  
**Offset:** 0x00  
**Reset:** 0xFF  
**Property:** -

All flags are cleared by writing a '1' to them. They are also cleared by a Power-on Reset (POR), except for the Power-on Reset Flag (PORF).

|        | 7 | 6 | 5   | 4   | 3   | 2   | 1   | 0   |
|--------|---|---|-----|-----|-----|-----|-----|-----|
| Access |   |   | R/W | R/W | R/W | R/W | R/W | R/W |
| Reset  |   |   | x   | x   | x   | x   | x   | x   |

**Bit 5 – UPDIRF** UPDI Reset Flag  
 This bit is set if a UPDI Reset occurs.

**Bit 4 – SWRF** Software Reset Flag  
 This bit is set if a Software Reset occurs.

**Bit 3 – WDRF** Watchdog Reset Flag  
 This bit is set if a Watchdog Reset occurs.

**Bit 2 – EXTRF** External Reset Flag  
 This bit is set if an External Reset occurs.

**Bit 1 – BORF** Brown-out Reset Flag  
 This bit is set if a Brown-out Reset occurs.

**Bit 0 – PORF** Power-on Reset Flag  
 This bit is set if a POR occurs.  
 After a POR, only the POR flag is set and all the other flags are cleared. No other flags can be set before a full system boot is run after the POR.

**12.5.2 Software Reset Register**

**Name:** SWRR  
**Offset:** 0x01  
**Reset:** 0x00  
**Property:** Configuration Change Protection

|        |   |   |   |   |   |   |   |      |
|--------|---|---|---|---|---|---|---|------|
|        | 7 | 6 | 5 | 4 | 3 | 2 | 1 | 0    |
| Access |   |   |   |   |   |   |   | SWRE |
| Reset  |   |   |   |   |   |   |   | 0    |

**Bit 0 – SWRE** Software Reset Enable  
 When this bit is written to '1', a software Reset will occur.  
 This bit will always read as '0'.

## 13. CPUINT - CPU Interrupt Controller

### 13.1 Features

- Short and Predictable Interrupt Response Time
- Separate Interrupt Configuration and Vector Address for Each Interrupt
- Interrupt Prioritizing by Level and Vector Address
- Non-Maskable Interrupts (NMI) for Critical Functions
- Two Interrupt Priority Levels: 0 (Normal) and 1 (High):
  - One of the interrupt requests can optionally be assigned as a priority level 1 interrupt
  - Optional round robin priority scheme for priority level 0 interrupts
- Interrupt Vectors Optionally Placed in the Application Section or the Boot Loader Section
- Selectable Compact Vector Table (CVT)

### 13.2 Overview

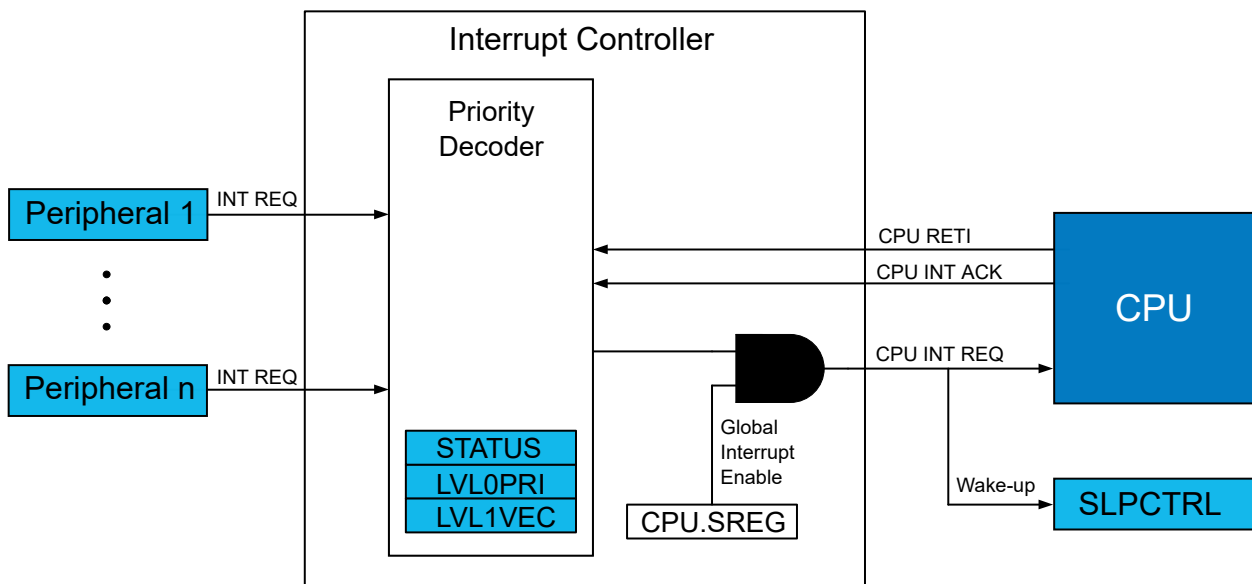
An interrupt request signals a change of state inside a peripheral and can be used to alter the program execution. The peripherals can have one or more interrupts. All interrupts are individually enabled and configured. When an interrupt is enabled and configured, it will generate an interrupt request when the interrupt condition occurs.

The CPU Interrupt Controller (CPUINT) handles and prioritizes the interrupt requests. When an interrupt is enabled and the interrupt condition occurs, the CPUINT will receive the interrupt request. Based on the interrupt's priority level and the priority level of any ongoing interrupt, the interrupt request is either acknowledged or kept pending until it has priority. After returning from the interrupt handler, the program execution continues from where it was before the interrupt occurred, and any pending interrupts are served after one instruction is executed.

The CPUINT offers NMI for critical functions, one selectable high-priority interrupt and an optional round robin scheduling scheme for normal-priority interrupts. The round robin scheduling ensures that all interrupts are serviced within a certain amount of time.

#### 13.2.1 Block Diagram

Figure 13-1. CPUINT Block Diagram



## 13.3 Functional Description

### 13.3.1 Initialization

An interrupt must be initialized in the following order:

1. Configure the CPUINT if the default configuration is not adequate (optional):
  - Vector handling is configured by writing to the respective bits (IVSEL and CVT) in the Control A (CPUINT.CTRLA) register.
  - Vector prioritizing by round robin is enabled by writing a '1' to the Round Robin Priority Enable (LVL0RR) bit in CPUINT.CTRLA.
  - Select the Priority Level 1 vector by writing the interrupt vector number to the Interrupt Vector with Priority Level 1 (CPUINT.LVL1VEC) register.
2. Configure the interrupt conditions within the peripheral and enable the peripheral's interrupt.
3. Enable interrupts globally by writing a '1' to the Global Interrupt Enable (I) bit in the CPU Status (CPU.SREG) register.

### 13.3.2 Operation

#### 13.3.2.1 Enabling, Disabling and Resetting

The global enabling of interrupts is done by writing a '1' to the Global Interrupt Enable (I) bit in the CPU Status (CPU.SREG) register. To disable interrupts globally, write a '0' to the I bit in CPU.SREG.

The desired interrupt lines must also be enabled in the respective peripheral by writing to the peripheral's Interrupt Control (*peripheral*.INTCTRL) register.

The interrupt flags are not automatically cleared after the interrupt is executed. The respective INTFLAGS register descriptions provide information on how to clear specific flags.

#### 13.3.2.2 Interrupt Vector Locations

The interrupt vector placement is dependent on the value of the Interrupt Vector Select (IVSEL) bit in the Control A (CPUINT.CTRLA) register. Refer to the IVSEL description in [CPUINT.CTRLA](#) for the possible locations.

If the program never enables an interrupt source, the interrupt vectors are not used, and the regular program code can be placed at these locations.

#### 13.3.2.3 Interrupt Response Time

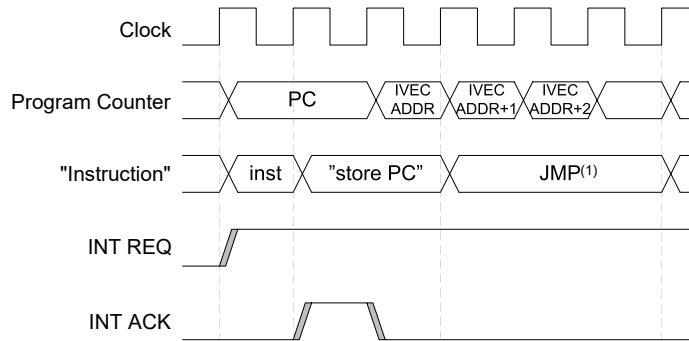
The minimum interrupt response time is represented in the following table.

**Table 13-1. Minimum Interrupt Response Time**

|                            | Flash Size > 8 KB                 | Flash Size ≤ 8 KB                |
|----------------------------|-----------------------------------|----------------------------------|
| Finish ongoing instruction | One cycle                         | One cycle                        |
| Store PC to stack          | Two cycles                        | Two cycles                       |
| Jump to interrupt handler  | Three cycles ( <code>jmp</code> ) | Two cycles ( <code>rjmp</code> ) |

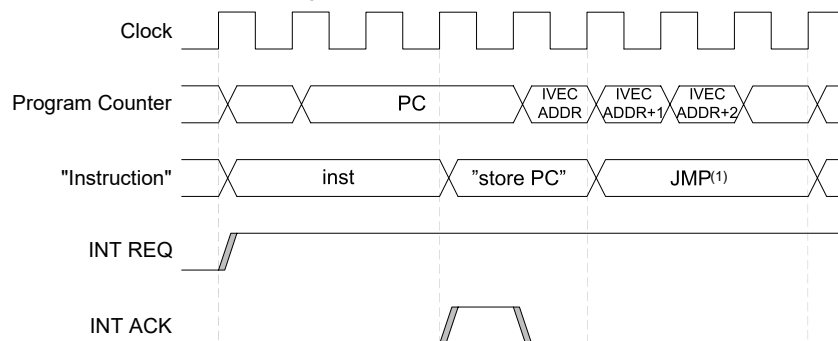
After the Program Counter is pushed on the stack, the program vector for the interrupt is executed. See the following figure.

**Figure 13-2. Interrupt Execution of Single-Cycle Instruction**



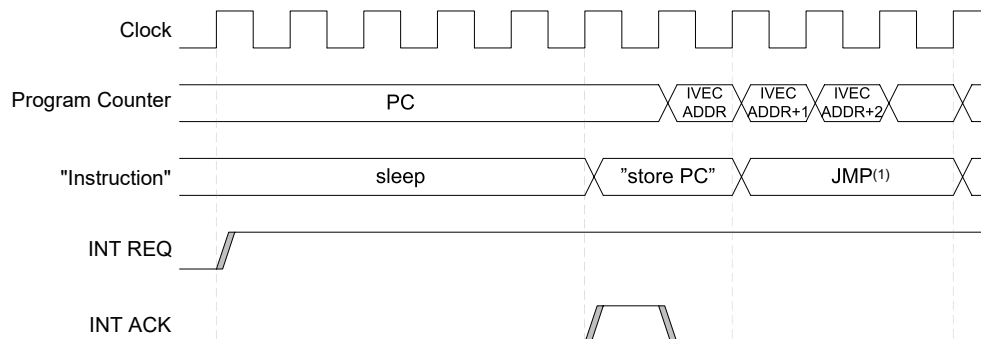
If an interrupt occurs during the execution of a multi-cycle instruction, the instruction is completed before the interrupt is served, as shown in the following figure.

**Figure 13-3. Interrupt Execution of Multi-Cycle Instruction**



If an interrupt occurs when the device is in a sleep mode, the interrupt execution response time is increased by five clock cycles, as shown in the figure below. Also, the response time is increased by the start-up time from the selected sleep mode.

**Figure 13-4. Interrupt Execution From Sleep**



A return from an interrupt handling routine takes four to five clock cycles, depending on the size of the Program Counter. During these clock cycles, the Program Counter is popped from the stack, and the Stack Pointer is incremented.

**Note:**

1. Devices with 8 KB of Flash or less use `RJMP` instead of `JMP`, which takes only two clock cycles.

**13.3.2.4 Interrupt Priority**

All interrupt vectors are assigned to one of three possible priority levels, as shown in the table below. An interrupt request from a high-priority source will interrupt any ongoing interrupt handler from a normal-priority source. When returning from the high-priority interrupt handler, the execution of the normal-priority interrupt handler will resume.

**Table 13-2. Interrupt Priority Levels**

| Priority | Level                     | Source  |
|----------|---------------------------|---|
| Highest  | Non-Maskable Interrupt    | Device-dependent and statically assigned            |
| ...      | Level 1 (high priority)   | One vector is optionally user selectable as level 1 |
| Lowest   | Level 0 (normal priority) | The remaining interrupt vectors                     |

**13.3.2.4.1 Non-Maskable Interrupts**

A Non-Maskable Interrupt (NMI) will be executed regardless of the I bit setting in CPU.SREG. An NMI will never change the I bit. No other interrupt can interrupt an NMI handler. If more than one NMI is requested at the same time, the priority is static according to the interrupt vector address, where the lowest address has the highest priority.

Which interrupts are non-maskable is device-dependent and not subject to configuration. Non-maskable interrupts must be enabled before they can be used. Refer to the *Interrupt Vector Mapping* table of the device for available NMI sources.

**13.3.2.4.2 High-Priority Interrupt**

It is possible to assign one interrupt request to level 1 (high priority) by writing its interrupt vector number to the CPUINT.LVL1VEC register. This interrupt request will have a higher priority than the other (normal priority) interrupt requests. The priority level 1 interrupts will interrupt the level 0 interrupt handlers.

**13.3.2.4.3 Normal-Priority Interrupts**

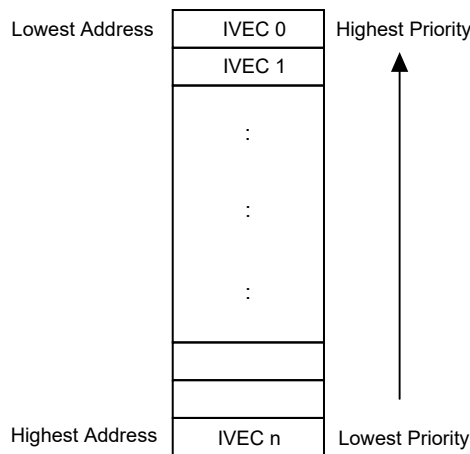
All interrupt vectors other than NMI are assigned to priority level 0 (normal) by default. The user may override this by assigning one of these vectors as a high-priority vector. The device will have many normal-priority vectors, and some of these may be pending at the same time. Two different scheduling schemes are available to choose which of the pending normal-priority interrupts to service first: Static or round robin.

IVEC is the interrupt vector mapping, as listed in the *Peripherals and Architecture* section. The following sections use IVEC to explain the scheduling schemes. IVEC0 is the Reset vector, IVEC1 is the NMI vector, and so on. In a vector table with n+1 elements, the vector with the highest vector number is denoted IVECn. Reset, non-maskable interrupts, and high-level interrupts are included in the IVEC map, but will always be prioritized over the normal-priority interrupts.

**Static Scheduling**

If several level 0 interrupt requests are pending at the same time, the one with the highest priority is scheduled for execution first. The following figure illustrates the default configuration, where the interrupt vector with the lowest address has the highest priority.

**Figure 13-5. Default Static Scheduling**

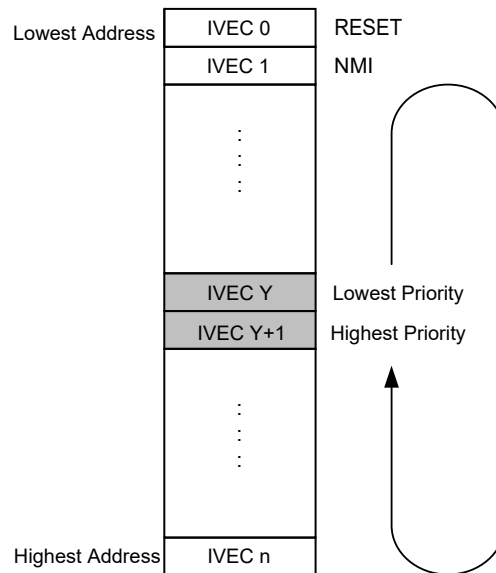


**Modified Static Scheduling**

The default priority can be changed by writing a vector number to the CPUINT.LVL0PRI register. This vector number will be assigned the lowest priority. The next interrupt vector in the IVEC will have the highest priority among the LVL0 interrupts, as shown in the following figure.



**Figure 13-6. Static Scheduling when CPUINT.LVL0PRI is Different From Zero**



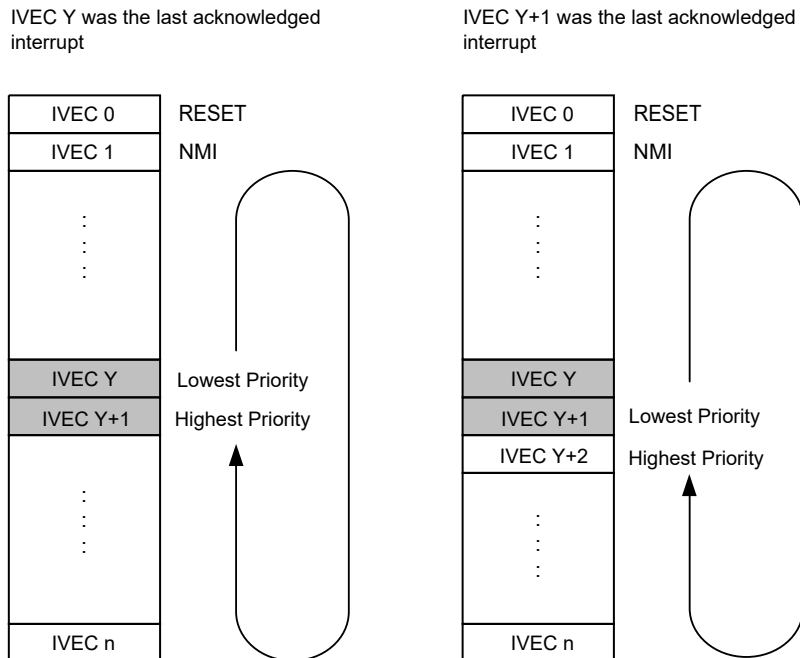
Here, value Y has been written to CPUINT.LVL0PRI, so that interrupt vector Y+1 has the highest priority. Note that, in this case, the priorities will wrap so that the lowest address no longer has the highest priority. This does not include RESET and NMI, which will always have the highest priority.

Refer to the interrupt vector mapping of the device for available interrupt requests and their interrupt vector number.

**Round Robin Scheduling**

The static scheduling may prevent some interrupt requests from being serviced. To avoid this, the CPUINT offers round robin scheduling for normal-priority (LVL0) interrupts. In the round robin scheduling, the CPUINT.LVL0PRI register stores the last acknowledged interrupt vector number. This register ensures that the last acknowledged interrupt vector gets the lowest priority and is automatically updated by the hardware. The following figure illustrates the priority order after acknowledging IVEC Y and after acknowledging IVEC Y+1.

**Figure 13-7. Round Robin Scheduling**



The round robin scheduling for LVL0 interrupt requests is enabled by writing a '1' to the Round Robin Priority Enable (LVL0RR) bit in the Control A (CPUINT.CTRLA) register.

### 13.3.2.5 Compact Vector Table

The Compact Vector Table (CVT) is a feature to allow writing of compact code by having all level 0 interrupts share the same interrupt vector number. Thus, the interrupts share the same Interrupt Service Routine (ISR). This reduces the number of interrupt handlers and thereby frees up memory that can be used for the application code.

When CVT is enabled by writing a '1' to the CVT bit in the Control A (CPUINT.CTRLA) register, the vector table contains these three interrupt vectors:

1. The non-maskable interrupts (NMI) at vector address 1.
2. The Priority Level 1 (LVL1) interrupt at vector address 2.
3. All priority level 0 (LVL0) interrupts at vector address 3.

This feature is most suitable for devices with limited memory and applications using a small number of interrupt generators.

### 13.3.3 Debug Operation

When using a level 1 priority interrupt, it is important to make sure the Interrupt Service Routine is configured correctly as it may cause the application to be stuck in an interrupt loop with level 1 priority.

By reading the CPUINT STATUS (CPUINT.STATUS) register, it is possible to see if the application has executed the correct `RETI` (interrupt return) instruction. The CPUINT.STATUS register contains state information, which ensures that the CPUINT returns to the correct interrupt level when the `RETI` instruction is executed at the end of an interrupt handler. Returning from an interrupt will return the CPUINT to the state it had before entering the interrupt.

### 13.3.4 Configuration Change Protection

This peripheral has registers that are under Configuration Change Protection (CCP). To write to these registers, a certain key must first be written to the CPU.CCP register, followed by a write access to the protected bits within four CPU instructions.

Attempting to write to a protected register without following the appropriate CCP unlock sequence leaves the protected register unchanged.

The following registers are under CCP:

**Table 13-3. CPUINT - Registers under Configuration Change Protection**

| Register              | Key   |
|-----------------------|-------|
| IVSEL in CPUINT.CTRLA | IOREG |
| CVT in CPUINT.CTRLA   | IOREG |

### 13.4 Register Summary

| Offset | Name                    | Bit Pos. | 7            | 6     | 5   | 4 | 3 | 2 | 1      | 0      |
|--------|-------------------------|----------|--------------|-------|-----|---|---|---|--------|--------|
| 0x00   | <a href="#">CTRLA</a>   | 7:0      |              | IVSEL | CVT |   |   |   |        | LVL0RR |
| 0x01   | <a href="#">STATUS</a>  | 7:0      | NMIEX        |       |     |   |   |   | LVL1EX | LVL0EX |
| 0x02   | <a href="#">LVL0PRI</a> | 7:0      | LVL0PRI[7:0] |       |     |   |   |   |        |        |
| 0x03   | <a href="#">LVL1VEC</a> | 7:0      | LVL1VEC[7:0] |       |     |   |   |   |        |        |

### 13.5 Register Description

### 13.5.1 Control A

**Name:** CTRLA  
**Offset:** 0x00  
**Reset:** 0x00  
**Property:** Configuration Change Protection

|        |   |       |     |   |   |   |   |        |
|--------|---|-------|-----|---|---|---|---|--------|
|        | 7 | 6     | 5   | 4 | 3 | 2 | 1 | 0      |
| Access |   | IVSEL | CVT |   |   |   |   | LVL0RR |
| Reset  |   | R/W   | R/W |   |   |   |   | R/W    |
|        |   | 0     | 0   |   |   |   |   | 0      |

**Bit 6 – IVSEL** Interrupt Vector Select

This bit is protected by the Configuration Change Protection mechanism.

| Value | Description   |
|-------|---|
| 0     | Interrupt vectors are placed after the BOOT section of the Flash <sup>(1)</sup> |
| 1     | Interrupt vectors are placed at the start of the BOOT section of the Flash      |

**Note:**

1. When the entire Flash is configured as a BOOT section, this bit will be ignored.

**Bit 5 – CVT** Compact Vector Table

This bit is protected by the Configuration Change Protection mechanism.

| Value | Description                               |
|-------|---|
| 0     | Compact Vector Table function is disabled |
| 1     | Compact Vector Table function is enabled  |

**Bit 0 – LVL0RR** Round Robin Priority Enable

This bit is not protected by the Configuration Change Protection mechanism.

| Value | Description  |
|-------|--|
| 0     | Priority is fixed for priority level 0 interrupt requests: The lowest interrupt vector address has the highest priority. |
| 1     | The round robin priority scheme is enabled for priority level 0 interrupt requests                                       |

### 13.5.2 Status

**Name:** STATUS  
**Offset:** 0x01  
**Reset:** 0x00  
**Property:** -

|        | 7     | 6 | 5 | 4 | 3 | 2 | 1      | 0      |
|--------|-------|---|---|---|---|---|--------|--------|
|        | NMIEX |   |   |   |   |   | LVL1EX | LVL0EX |
| Access | R     |   |   |   |   |   | R      | R      |
| Reset  | 0     |   |   |   |   |   | 0      | 0      |

**Bit 7 – NMIEX** Non-Maskable Interrupt Executing

This flag is set if a non-maskable interrupt is executing. The flag is cleared when returning (RETI) from the interrupt handler.

**Bit 1 – LVL1EX** Level 1 Interrupt Executing

This flag is set when a priority level 1 interrupt is executing, or when the interrupt handler has been interrupted by an NMI. The flag is cleared when returning (RETI) from the interrupt handler.

**Bit 0 – LVL0EX** Level 0 Interrupt Executing

This flag is set when a priority level 0 interrupt is executing, or when the interrupt handler has been interrupted by a priority level 1 interrupt or an NMI. The flag is cleared when returning (RETI) from the interrupt handler.

### 13.5.3 Interrupt Priority Level 0

**Name:** LVL0PRI  
**Offset:** 0x02  
**Reset:** 0x00  
**Property:** -

|        |              |  |     |  |     |  |     |  |     |  |     |  |     |  |     |
|--------|--------------|--|-----|--|-----|--|-----|--|-----|--|-----|--|-----|--|-----|
|        | 7            |  | 6   |  | 5   |  | 4   |  | 3   |  | 2   |  | 1   |  | 0   |
|        | LVL0PRI[7:0] |  |     |  |     |  |     |  |     |  |     |  |     |  |     |
| Access | R/W          |  | R/W |  | R/W |  | R/W |  | R/W |  | R/W |  | R/W |  | R/W |
| Reset  | 0            |  | 0   |  | 0   |  | 0   |  | 0   |  | 0   |  | 0   |  | 0   |

**Bits 7:0 – LVL0PRI[7:0]** Interrupt Priority Level 0

This register is used to modify the priority of the LVL0 interrupts. See the section [Normal-Priority Interrupts](#) for more information.

**13.5.4 Interrupt Vector with Priority Level 1**

**Name:** LVL1VEC  
**Offset:** 0x03  
**Reset:** 0x00  
**Property:** -

|        |              |     |     |     |     |     |     |     |
|--------|--------------|-----|-----|-----|-----|-----|-----|-----|
| Bit    | 7            | 6   | 5   | 4   | 3   | 2   | 1   | 0   |
|        | LVL1VEC[7:0] |     |     |     |     |     |     |     |
| Access | R/W          | R/W | R/W | R/W | R/W | R/W | R/W | R/W |
| Reset  | 0            | 0   | 0   | 0   | 0   | 0   | 0   | 0   |

**Bits 7:0 – LVL1VEC[7:0] Interrupt Vector with Priority Level 1**

This bit field contains the number of the single vector with increased priority level 1 (LVL1). If this bit field has the value 0x00, no vector has LVL1. Consequently, the LVL1 interrupt is disabled.

## 14. EVSYS - Event System

### 14.1 Features

- System for Direct Peripheral-to-Peripheral Signaling
- Peripherals Can Directly Produce, Use and React to Peripheral Events
- Short and Predictable Response Time
- Up to 8 Parallel Event Channels Available
- Each Channel is Driven by One Event Generator and Can Have Multiple Event Users
- Events Can be Sent and/or Received by Most Peripherals and by Software
- The Event System Works in Active, Idle, and Standby Sleep Modes

### 14.2 Overview

The Event System (EVSYS) enables direct peripheral-to-peripheral signaling. It allows a change in one peripheral (the event generator) to trigger actions in other peripherals (the event users) through event channels, without using the CPU. It is designed to provide short and predictable response times between peripherals, allowing for autonomous peripheral control and interaction, and also for synchronized timing of actions in several peripheral modules. It is thus a powerful tool for reducing the complexity, size, and execution time of the software.

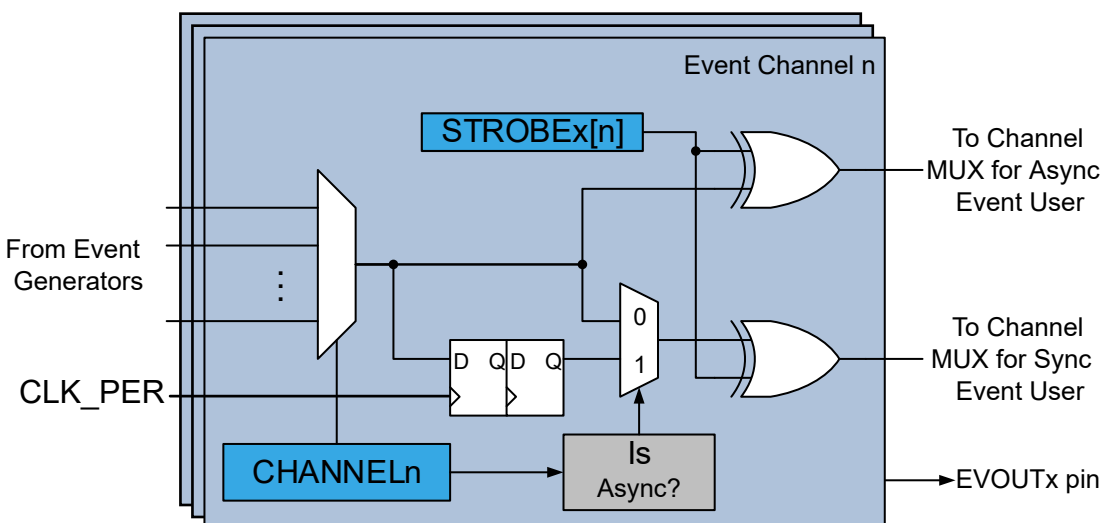
A change of the event generator's state is referred to as an event and usually corresponds to one of the peripheral's interrupt conditions. Events can be directly forwarded to other peripherals using the dedicated event routing network. The routing of each channel is configured in software, including event generation and use.

Only one event signal can be routed on each channel. Multiple peripherals can use events from the same channel.

The EVSYS can directly connect analog-to-digital converters, analog comparators, I/O port pins, real-time counter, timer/counters, and configurable custom logic peripheral. Events can also be generated from the software.

#### 14.2.1 Block Diagram

Figure 14-1. Block Diagram

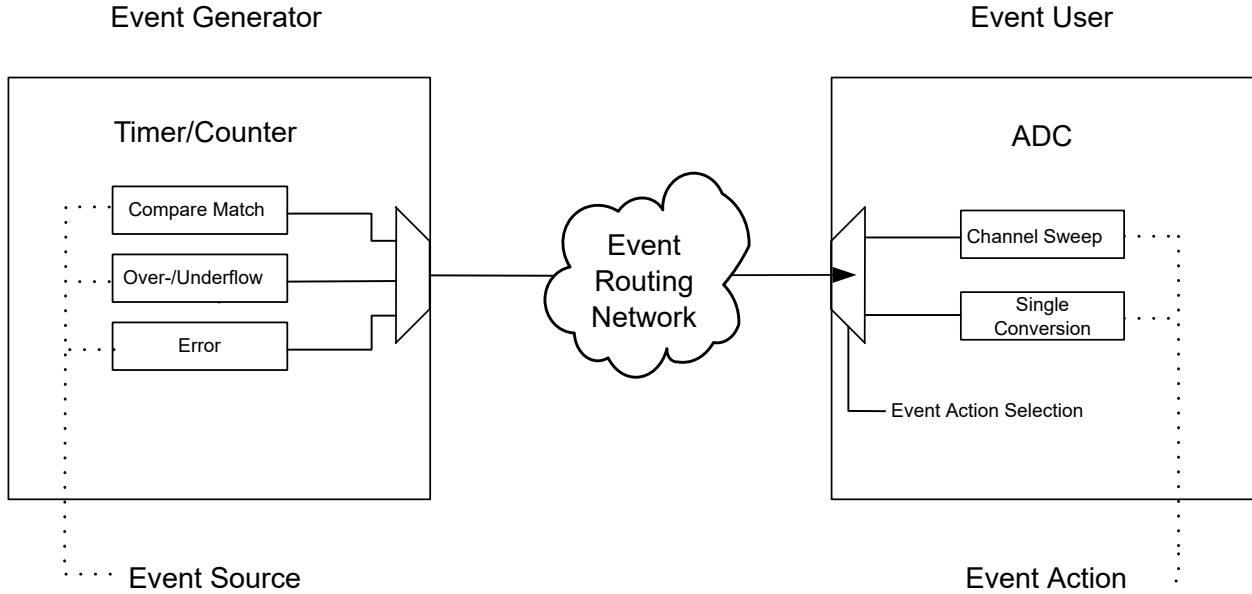


The block diagram shows the operation of an event channel. A multiplexer controlled by Channel n Generator Selection (EVSYS.CHANNELn) register at the input selects which of the event sources to route onto the event channel. Each event channel has two subchannels: One asynchronous and one synchronous. A synchronous user will listen to the synchronous subchannel, and an asynchronous user will listen to the asynchronous subchannel.



Before being routed to the synchronous subchannel, an event signal from an asynchronous source will be synchronized by the Event System. An asynchronous event signal to be used by a synchronous consumer must last for at least one peripheral clock cycle to ensure that it will propagate through the synchronizer. The synchronizer will delay, such as an event between two and three clock cycles, depending on when the event occurs.

**Figure 14-2. Example of Event Source, Generator, User, and Action**



### 14.2.2 Signal Description

| Signal | Type           | Description                           |
|--------|----------------|---------------------------------------|
| EVOUTx | Digital output | Event output, one output per I/O Port |

## 14.3 Functional Description

### 14.3.1 Initialization

The Event System, the generating peripheral, and the peripheral(s) using the event must be set up accordingly to utilize events:

1. Configure the generating peripheral appropriately. For example, if the generating peripheral is a timer, set the prescaling, the Compare register, etc., so that the desired event is generated.
2. Configure the event user peripheral(s) appropriately. For example, if the ADC is the event user, set the ADC prescaler, resolution, conversion time, etc., as desired, and configure the ADC conversion to start on the reception of an event.
3. Configure the Event System to route the desired source. In this case, the Timer/Compare match to the desired event channel, which may for example, be channel 0, which is accomplished by writing to the Channel 0 Generator Selection (EVSYS.CHANNEL0) register.
4. Configure the ADC to listen to this channel by writing to the corresponding User x Channel MUX (EVSYS.USERx) register.

### 14.3.2 Operation

#### 14.3.2.1 Event User Multiplexer Setup

Each event user has one dedicated event user multiplexer selecting which event channel to listen to. The application configures these multiplexers by writing to the corresponding EVSYS.USERx register.

### 14.3.2.2 Event System Channel

An event channel can be connected to one of the event generators.

The source for each event channel is configured by writing to the respective Channel n Generator Selection (EVSYS.CHANNELn) register.

### 14.3.2.3 Event Generators

Each event channel has several possible event generators, but only one can be selected at a time. The event generator for a channel is selected by writing to the respective Channel n Generator Selection (EVSYS.CHANNELn) register. By default, the channels are not connected to any event generator. For details on event generation, refer to the documentation of the corresponding peripheral.

A generated event is either synchronous or asynchronous to the device peripheral clock (CLK\_PER). Asynchronous events can be generated outside the normal edges of the peripheral clock, making the system respond faster than the selected clock frequency would suggest. Asynchronous events can also be generated while the device is in a Sleep mode when the peripheral clock is not running.

Any generated event is classified as either a pulse event or a level event. In both cases, the event can be either synchronous or asynchronous, with properties according to the table below.

**Table 14-1. Properties of Generated Events**

| Event Type | Sync/Async | Description  |
|------------|------------|--|
| Pulse      | Sync       | An event generated from CLK_PER that lasts one clock cycle   |
|            | Async      | An event generated from a clock other than CLK_PER lasting one clock cycle   |
| Level      | Sync       | An event generated from CLK_PER that lasts multiple clock cycles   |
|            | Async      | An event generated without a clock (for example, a pin or a comparator), or an event generated from a clock, other than CLK_PER that lasts multiple clock cycles |

The properties of both the generated event and the intended event user must be considered to ensure reliable and predictable operation.

The table below shows the available event generators for this device family.

**Table 14-2. Event Generators**

| Generator | Event               | Generating Clock Domain | Length of Event   | Constraints for Synchronous User  |
|-----------|---------------------|-------------------------|---|---|
| UPDI      | SYNC character      | CLK_PDI                 | Waveform: SYNC char on PDI RX input synchronized to CLK_PDI | Synchronizing clock in user must be fast enough to ensure that the event is seen by the user                              |
| RTC       | Overflow            | CLK_RTC                 | Pulse: 1 * CLK_RTC  | None  |
|           | Compare Match       | CLK_RTC                 | Pulse: 1 * CLK_RTC  |   |
| PIT       | RTC Prescaled clock | CLK_RTC                 | Level   |   |
| CCL-LUT   | LUT output          | Asynchronous            | Depends on CCL configuration                                | The clock source used for CCL must be slower or equal to CLK_PER or input signals to CCL are stable for at least Tclk_per |

.....continued

| Generator | Event                   | Generating Clock Domain | Length of Event              | Constraints for Synchronous User  |
|-----------|-------------------------|-------------------------|------------------------------|---|
| AC        | Comparator result       | Asynchronous            | Level: Typically $\geq 1$ us | The frequency of input signals to AC must be $\leq f_{clk\_per}$ to ensure that the event is seen by the synchronous user |
| ADC       | Result ready            | CLK_ADC                 | Pulse: $1 * CLK\_PER$        | None  |
| PORT      | Pin input               | Asynchronous            | Level: Externally controlled | The input signal must be stable for longer than $f_{clk\_per}$  |
| USART     | USART Baud clock        | TXCLK                   | Level                        | None  |
| SPI       | SPI Host clock          | SCK                     | Level                        | None  |
| TCA       | Overflow                | CLK_PER                 | Pulse: $1 * CLK\_PER$        | None  |
|           | Underflow in split mode | CLK_PER                 | Pulse: $1 * CLK\_PER$        |   |
|           | Compare match ch 0      | CLK_PER                 | Pulse: $1 * CLK\_PER$        |   |
|           | Compare match ch 1      | CLK_PER                 | Pulse: $1 * CLK\_PER$        |   |
|           | Compare match ch 2      | CLK_PER                 | Pulse: $1 * CLK\_PER$        |   |
| TCB       | CAPT interrupt flag set | CLK_PER                 | Pulse: $1 * CLK\_PER$        | None  |

#### 14.3.2.4 Event Users

The event channel to listen to is selected by configuring the event user. An event user may require the event signal to be either synchronous or asynchronous to the peripheral clock. An asynchronous event user can respond to events in Sleep modes when clocks are not running. Such events can be responded to outside the normal edges of the peripheral clock, making the event user respond faster than the clock frequency would suggest. For details on the requirements of each peripheral, refer to the documentation of the corresponding peripheral.

Most event users implement edge or level detection to trigger actions in the corresponding peripheral based on the incoming event signal. In both cases, a user can either be synchronous, which requires that the incoming event is generated from the peripheral clock (CLK\_PER), or asynchronous, if not. Some asynchronous event users do not apply event input detection but use the event signal directly.

The different event user properties are described in the table below.

**Table 14-3. Properties of Event Users**

| Input Detection | Async/Sync | Description   |
|-----------------|------------|---|
| Edge            | Sync       | An event user is triggered by an event edge and requires that the incoming event is generated from CLK_PER  |
|                 | Async      | An event user is triggered by an event edge and has asynchronous detection or an internal synchronizer      |
| Level           | Sync       | An event user is triggered by an event level and requires that the incoming event is generated from CLK_PER |
|                 | Async      | An event user is triggered by an event level and has asynchronous detection or an internal synchronizer     |
| No detection    | Async      | An event user will use the event signal directly  |

The table below shows the available event users for this device family.

**Table 14-4. Event Users**

| User     | Module/Event Mode                                   | Input Format | Asynchronous |
|----------|---|--------------|--------------|
| TCAn     | CNT_POSEGE  | Edge         | No           |
|          | CNT_ANYEDGE   | Edge         | No           |
|          | CNT_HIGHLVL   | Level        | No           |
|          | UPDOWN  | Level        | No           |
| TCBn     | Time-out check                                      | Edge         | No           |
|          | Input Capture on Event                              | Edge         | No           |
|          | Input Capture Frequency Measurement                 | Edge         | No           |
|          | Input Capture Pulse-Width Measurement               | Edge         | No           |
|          | Input Capture Frequency and Pulse Width Measurement | Edge         | No           |
|          | Single-Shot   | Edge         | Yes          |
| USARTn   | IrDA Mode   | Level        | No           |
| CCLLUTnx | LUTn input x or clock signal                        | Level        | Yes          |
| ADCn     | ADC start on event                                  | Edge         | Yes          |
| EVOUTx   | Forward event signal to pin                         | Level        | Yes          |

### 14.3.2.5 Synchronization

Events can be either synchronous or asynchronous to the peripheral clock. Each Event System channel has two subchannels: One asynchronous and one synchronous.

The asynchronous subchannel is identical to the event output from the generator. If the event generator generates a signal asynchronous to the peripheral clock, the signal on the asynchronous subchannel will be asynchronous. If the event generator generates a signal synchronous to the peripheral clock, the signal on the asynchronous subchannel will also be synchronous.

The synchronous subchannel is identical to the event output from the generator if the event generator generates a signal that is synchronous to the peripheral clock. If the event generator generates a signal that is asynchronous to the peripheral clock, this signal is first synchronized before being routed onto the synchronous subchannel. Depending on when it occurs, synchronization will delay the event by two to three clock cycles. The Event System automatically performs this synchronization if an asynchronous generator is selected for an event channel.

### 14.3.2.6 Software Event

The application can generate a software event. Software events on Channel n are issued by writing a '1' to the STROBE[n] bit in the EVSYS.STROBEx register. A software event appears as a pulse on the Event System channel, inverting the current event signal for one clock cycle.

Event users see software events as no different from those produced by event generating peripherals.

### 14.3.3 Sleep Mode Operation

When configured, the Event System will work in all sleep modes. Software events represent one exception since they require a peripheral clock.

Asynchronous event users can respond to an event without their clock running in Standby sleep mode. Synchronous event users require their clock to be running to be able to respond to events. Such users will only work in Idle sleep mode or Standby sleep mode, if configured to run in Standby mode by setting the RUNSTDBY bit in the appropriate register.

Asynchronous event generators can generate an event without their clock running, that is, in Standby sleep mode. Synchronous event generators require their clock to be running to be able to generate events. Such generators will only work in Idle sleep mode or Standby sleep mode, if configured to run in Standby mode by setting the RUNSTDBY bit in the appropriate register.

**14.3.4 Debug Operation**

This peripheral is unaffected by entering Debug mode.

## 14.4 Register Summary

| Offset | Name                     | Bit Pos.                 | 7              | 6              | 5 | 4 | 3 | 2 | 1 | 0 |
|--------|--------------------------|--------------------------|----------------|----------------|---|---|---|---|---|---|
| 0x00   | <a href="#">STROBEx</a>  | 7:0                      | STROBE[7:0]    |                |   |   |   |   |   |   |
| 0x01   | Reserved                 |                          |                |                |   |   |   |   |   |   |
| ...    |                          |                          |                |                |   |   |   |   |   |   |
| 0x0F   |                          |                          |                |                |   |   |   |   |   |   |
| 0x10   |                          | <a href="#">CHANNEL0</a> | 7:0            | GENERATOR[7:0] |   |   |   |   |   |   |
| 0x11   | <a href="#">CHANNEL1</a> | 7:0                      | GENERATOR[7:0] |                |   |   |   |   |   |   |
| 0x12   | <a href="#">CHANNEL2</a> | 7:0                      | GENERATOR[7:0] |                |   |   |   |   |   |   |
| 0x13   | <a href="#">CHANNEL3</a> | 7:0                      | GENERATOR[7:0] |                |   |   |   |   |   |   |
| 0x14   | <a href="#">CHANNEL4</a> | 7:0                      | GENERATOR[7:0] |                |   |   |   |   |   |   |
| 0x15   | <a href="#">CHANNEL5</a> | 7:0                      | GENERATOR[7:0] |                |   |   |   |   |   |   |
| 0x16   | <a href="#">CHANNEL6</a> | 7:0                      | GENERATOR[7:0] |                |   |   |   |   |   |   |
| 0x17   | <a href="#">CHANNEL7</a> | 7:0                      | GENERATOR[7:0] |                |   |   |   |   |   |   |
| 0x18   | Reserved                 |                          |                |                |   |   |   |   |   |   |
| ...    |                          |                          |                |                |   |   |   |   |   |   |
| 0x1F   |                          |                          |                |                |   |   |   |   |   |   |
| 0x20   |                          | <a href="#">USER0</a>    | 7:0            | CHANNEL[7:0]   |   |   |   |   |   |   |
| ...    |                          |                          |                |                |   |   |   |   |   |   |
| 0x37   | <a href="#">USER23</a>   | 7:0                      | CHANNEL[7:0]   |                |   |   |   |   |   |   |

## 14.5 Register Description

**14.5.1 Channel Strobe**

**Name:** STROBEx  
**Offset:** 0x00  
**Reset:** 0x00  
**Property:** -

Software Events

Write bits in this register to create software events.

Refer to the *Peripheral Overview* section for the available number of Event System channels.

|        |             |   |   |   |   |   |   |   |
|--------|-------------|---|---|---|---|---|---|---|
| Bit    | 7           | 6 | 5 | 4 | 3 | 2 | 1 | 0 |
|        | STROBE[7:0] |   |   |   |   |   |   |   |
| Access | W           | W | W | W | W | W | W | W |
| Reset  | 0           | 0 | 0 | 0 | 0 | 0 | 0 | 0 |

**Bits 7:0 – STROBE[7:0] Channel Strobe**

If the strobe (EVSYS.STROBEx) register location is written, each event channel will be inverted for one peripheral clock cycle (i.e., a single event is generated).

### 14.5.2 Channel n Generator Selection

**Name:** CHANNEL  
**Offset:** 0x10 + n\*0x01 [n=0..7]  
**Reset:** 0x00  
**Property:** -

Each channel can be connected to one event generator. Not all generators can be connected to all channels. Refer to the table below to see which generator sources can be routed onto each channel and the generator value to be written to EVSYS.CHANNELn to achieve this routing. Writing the value 0x00 to EVSYS.CHANNELn turns the channel off.

|        |                |     |     |     |     |     |     |     |
|--------|----------------|-----|-----|-----|-----|-----|-----|-----|
| Bit    | 7              | 6   | 5   | 4   | 3   | 2   | 1   | 0   |
|        | GENERATOR[7:0] |     |     |     |     |     |     |     |
| Access | R/W            | R/W | R/W | R/W | R/W | R/W | R/W | R/W |
| Reset  | 0              | 0   | 0   | 0   | 0   | 0   | 0   | 0   |

#### Bits 7:0 – GENERATOR[7:0] Channel Generator Selection

| GENERATOR |           | INPUT         | Async/Sync | CH0        | CH1    | CH2        | CH3    | CH4        | CH5    | CH6     | CH7    |
|-----------|-----------|---------------|------------|------------|--------|------------|--------|------------|--------|---------|--------|
| binary    | hex       |               |            |            |        |            |        |            |        |         |        |
| 0000_0001 | 0x01      | UPDI          | Sync       | UPDI       |        |            |        |            |        |         |        |
| 0000_0110 | 0x06      | RTC_OVF       | Async      | OVF        |        |            |        |            |        |         |        |
| 0000_0111 | 0x07      | RTC_CMP       | Async      | CMP        |        |            |        |            |        |         |        |
| 0000_1000 | 0x08      | RTC_PIT0      | Async      | DIV8192    | DIV512 | DIV8192    | DIV512 | DIV8192    | DIV512 | DIV8192 | DIV512 |
| 0000_1001 | 0x09      | RTC_PIT1      | Async      | DIV4096    | DIV256 | DIV4096    | DIV256 | DIV4096    | DIV256 | DIV4096 | DIV256 |
| 0000_1010 | 0x0A      | RTC_PIT2      | Async      | DIV2048    | DIV128 | DIV2048    | DIV128 | DIV2048    | DIV128 | DIV2048 | DIV128 |
| 0000_1011 | 0x0B      | RTC_PIT3      | Async      | DIV1024    | DIV64  | DIV1024    | DIV64  | DIV1024    | DIV64  | DIV1024 | DIV64  |
| 0001_00nn | 0x10-0x13 | CCL_LUTn      | Async      | LUTn       |        |            |        |            |        |         |        |
| 0010_0000 | 0x20      | AC0           | Async      | OUT        |        |            |        |            |        |         |        |
| 0010_0100 | 0x24      | ADC0          | Sync       | RESRDY     |        |            |        |            |        |         |        |
| 0100_0nnn | 0x40-0x47 | PORT0_PINn    | Async      | PORTA_PINn |        | PORTC_PINn |        | PORTE_PINn |        |         |        |
| 0100_1nnn | 0x48-0x4F | PORT1_PINn    | Async      | PORTB_PINn |        | PORTD_PINn |        | PORTF_PINn |        |         |        |
| 0110_0nnn | 0x60-0x67 | USARTn        | Sync       | XCK        |        |            |        |            |        |         |        |
| 0110_1000 | 0x68      | SPI0          | Sync       | SCK        |        |            |        |            |        |         |        |
| 1000_0000 | 0x80      | TCA0_OVF_LUNF | Sync       | OVF/LUNF   |        |            |        |            |        |         |        |
| 1000_0001 | 0x81      | TCA0_HUNF     | Sync       | HUNF       |        |            |        |            |        |         |        |
| 1000_0100 | 0x84      | TCA0_CMP0     | Sync       | CMP0       |        |            |        |            |        |         |        |
| 1000_0101 | 0x85      | TCA0_CMP1     | Sync       | CMP1       |        |            |        |            |        |         |        |
| 1000_0110 | 0x86      | TCA0_CMP2     | Sync       | CMP2       |        |            |        |            |        |         |        |
| 1010_nnn0 | 0xA0-0xAE | TCBn          | Sync       | CAPT       |        |            |        |            |        |         |        |

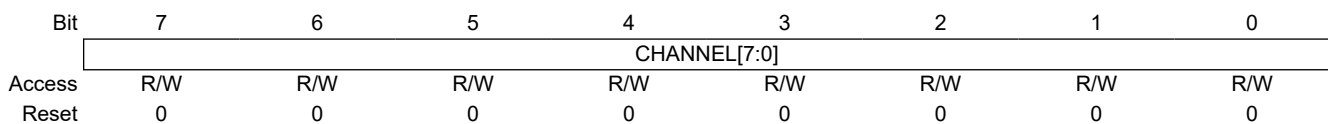


### 14.5.3 User Channel Mux

**Name:** USER  
**Offset:** 0x20 + n\*0x01 [n=0..23]  
**Reset:** 0x00  
**Property:** -

Each event user can be connected to one channel, and several users can be connected to the same channel. The following table lists all Event System users with their corresponding user ID number and name. This ID number corresponds to the USER register index, e.g., the EVSYS.USER2 register controls the user with ID 2.

| USER # | User Name | Async/Sync | Description            |
|--------|-----------|------------|------------------------|
| 0      | CCLLUT0A  | Async      | CCL LUT0 event input A |
| 1      | CCLLUT0B  | Async      | CCL LUT0 event input B |
| 2      | CCLLUT1A  | Async      | CCL LUT1 event input A |
| 3      | CCLLUT1B  | Async      | CCL LUT1 event input B |
| 4      | CCLLUT2A  | Async      | CCL LUT2 event input A |
| 5      | CCLLUT2B  | Async      | CCL LUT2 event input B |
| 6      | CCLLUT3A  | Async      | CCL LUT3 event input A |
| 7      | CCLLUT3B  | Async      | CCL LUT3 event input B |
| 8      | ADC0      | Async      | ADC0 Trigger           |
| 9      | EVOUTA    | Async      | EVSYS pin output A     |
| 10     | EVOUTB    | Async      | EVSYS pin output B     |
| 11     | EVOUTC    | Async      | EVSYS pin output C     |
| 12     | EVOUTD    | Async      | EVSYS pin output D     |
| 13     | EVOUTE    | Async      | EVSYS pin output E     |
| 14     | EVOUTF    | Async      | EVSYS pin output F     |
| 15     | USART0    | Sync       | USART0 event input     |
| 16     | USART1    | Sync       | USART1 event input     |
| 17     | USART2    | Sync       | USART2 event input     |
| 18     | USART3    | Sync       | USART3 event input     |
| 19     | TCA0      | Sync       | TCA0 event input       |
| 20     | TCB0      | Both       | TCB0 event input       |
| 21     | TCB1      | Both       | TCB1 event input       |
| 22     | TCB2      | Both       | TCB2 event input       |
| 23     | TCB3      | Both       | TCB3 event input       |



**Bits 7:0 – CHANNEL[7:0]** User Channel Selection  
 Describes which Event System channel the user is connected to.

---

---

| <b>Value</b> | <b>Description</b>                                     |
|--------------|--|
| 0            | OFF, no channel is connected to this Event System user |
| n            | Event user is connected to CHANNEL(n-1)                |

## **15. PORTMUX - Port Multiplexer**

### **15.1 Overview**

The Port Multiplexer (PORTMUX) can either enable or disable functionality of pins, or change between default and alternative pin positions. Available options are described in detail in the PORTMUX register map and depend on the actual pin and its properties.

For available pins and functionalities, refer to the “I/O Multiplexing and Considerations” section.

## 15.2 Register Summary - PORTMUX

| Offset | Name                         | Bit Pos. | 7           | 6 | 5           | 4      | 3           | 2         | 1           | 0      |
|--------|------------------------------|----------|-------------|---|-------------|--------|-------------|-----------|-------------|--------|
| 0x00   | <a href="#">EVSYSROUTEA</a>  | 7:0      |             |   | EVOUTF      | EVOUTE | EVOUTD      | EVOUTC    | EVOUTB      | EVOUTA |
| 0x01   | <a href="#">CCLROUTEA</a>    | 7:0      |             |   |             |        | LUT3        | LUT2      | LUT1        | LUT0   |
| 0x02   | <a href="#">USARTRUTEA</a>   | 7:0      | USART3[1:0] |   | USART2[1:0] |        | USART1[1:0] |           | USART0[1:0] |        |
| 0x03   | <a href="#">TWISPIROUTEA</a> | 7:0      |             |   | TWI0[1:0]   |        |             |           | SPI0[1:0]   |        |
| 0x04   | <a href="#">TCARUTEA</a>     | 7:0      |             |   |             |        |             | TCA0[2:0] |             |        |
| 0x05   | <a href="#">TCBRUTEA</a>     | 7:0      |             |   |             |        | TCB3        | TCB2      | TCB1        | TCB0   |

## 15.3 Register Description

### 15.3.1 PORTMUX Control for Event System

**Name:** EVSYSROUTEA  
**Offset:** 0x00  
**Reset:** 0x00  
**Property:** -

|        |   |   |        |        |        |        |        |        |
|--------|---|---|--------|--------|--------|--------|--------|--------|
|        | 7 | 6 | 5      | 4      | 3      | 2      | 1      | 0      |
| Access |   |   | EVOUTF | EVOUTE | EVOUTD | EVOUTC | EVOUTB | EVOUTA |
| Reset  |   |   | R/W    | R/W    | R/W    | R/W    | R/W    | R/W    |
|        |   |   | 0      | 0      | 0      | 0      | 0      | 0      |

**Bit 5 – EVOUTF** Event Output F

Write this bit to '1' to select alternative pin location for Event Output F.

| Value | Name    | Description   |
|-------|---------|---------------|
| 0x0   | DEFAULT | EVOUTF on PF2 |
| 0x1   | -       | Reserved      |

**Bit 4 – EVOUTE** Event Output E

Write this bit to '1' to select alternative pin location for Event Output E.

| Value | Name    | Description   |
|-------|---------|---------------|
| 0x0   | DEFAULT | EVOUTE on PE2 |
| 0x1   | -       | Reserved      |

**Bit 3 – EVOUTD** Event Output D

Write this bit to '1' to select alternative pin location for Event Output D.

| Value | Name    | Description   |
|-------|---------|---------------|
| 0x0   | DEFAULT | EVOUTD on PD2 |
| 0x1   | ALT1    | EVOUTD on PD7 |

**Bit 2 – EVOUTC** Event Output C

Write this bit to '1' to select alternative pin location for Event Output C.

| Value | Name    | Description   |
|-------|---------|---------------|
| 0x0   | DEFAULT | EVOUTC on PC2 |
| 0x1   | ALT1    | EVOUTC on PC7 |

**Bit 1 – EVOUTB** Event Output B

Write this bit to '1' to select alternative pin location for Event Output B.

| Value | Name    | Description   |
|-------|---------|---------------|
| 0x0   | DEFAULT | EVOUTB on PB2 |
| 0x1   | -       | Reserved      |

**Bit 0 – EVOUTA** Event Output A

Write this bit to '1' to select alternative pin location for Event Output A.

| Value | Name    | Description   |
|-------|---------|---------------|
| 0x0   | DEFAULT | EVOUTA on PA2 |
| 0x1   | ALT1    | EVOUTA on PA7 |

### 15.3.2 PORTMUX Control for CCL

**Name:** CCLROUTEA  
**Offset:** 0x01  
**Reset:** 0x00  
**Property:** -

|        |   |   |   |   |      |      |      |      |
|--------|---|---|---|---|------|------|------|------|
|        | 7 | 6 | 5 | 4 | 3    | 2    | 1    | 0    |
|        |   |   |   |   | LUT3 | LUT2 | LUT1 | LUT0 |
| Access |   |   |   |   | R/W  | R/W  | R/W  | R/W  |
| Reset  |   |   |   |   | 0    | 0    | 0    | 0    |

#### Bit 3 – LUT3 CCL LUT 3 Output

Write this bit to '1' to select alternative pin location for CCL LUT 3.

| Value | Name    | Description       |
|-------|---------|-------------------|
| 0x0   | DEFAULT | CCL LUT3 on PF[3] |
| 0x1   | ALT1    | CCL LUT3 on PF[6] |

#### Bit 2 – LUT2 CCL LUT 2 Output

Write this bit to '1' to select alternative pin location for CCL LUT 2.

| Value | Name    | Description       |
|-------|---------|-------------------|
| 0x0   | DEFAULT | CCL LUT2 on PD[3] |
| 0x1   | ALT1    | CCL LUT2 on PD[6] |

#### Bit 1 – LUT1 CCL LUT 1 Output

Write this bit to '1' to select alternative pin location for CCL LUT 1.

| Value | Name    | Description       |
|-------|---------|-------------------|
| 0x0   | DEFAULT | CCL LUT1 on PC[3] |
| 0x1   | ALT1    | CCL LUT1 on PC[6] |

#### Bit 0 – LUT0 CCL LUT 0 Output

Write this bit to '1' to select alternative pin location for CCL LUT 0.

| Value | Name    | Description       |
|-------|---------|-------------------|
| 0x0   | DEFAULT | CCL LUT0 on PA[3] |
| 0x1   | ALT1    | CCL LUT0 on PA[6] |

### 15.3.3 PORTMUX Control for USART

**Name:** USARTROUTEA  
**Offset:** 0x02  
**Reset:** 0x00  
**Property:** -

|        |             |     |             |     |             |     |             |     |
|--------|-------------|-----|-------------|-----|-------------|-----|-------------|-----|
|        | 7           | 6   | 5           | 4   | 3           | 2   | 1           | 0   |
|        | USART3[1:0] |     | USART2[1:0] |     | USART1[1:0] |     | USART0[1:0] |     |
| Access | R/W         | R/W | R/W         | R/W | R/W         | R/W | R/W         | R/W |
| Reset  | 0           | 0   | 0           | 0   | 0           | 0   | 0           | 0   |

#### Bits 7:6 – USART3[1:0] USART 3 Communication

Write these bits to select alternative communication pins for USART 3.

| Value | Name    | Description               |
|-------|---------|---------------------------|
| 0x0   | DEFAULT | USART3 on PB[3:0]         |
| 0x1   | ALT1    | USART3 on PB[5:4]         |
| 0x2   | -       | Reserved                  |
| 0x3   | NONE    | Not connected to any pins |

#### Bits 5:4 – USART2[1:0] USART 2 Communication

Write these bits to select alternative communication pins for USART 2.

| Value | Name    | Description               |
|-------|---------|---------------------------|
| 0x0   | DEFAULT | USART2 on PF[3:0]         |
| 0x1   | ALT1    | USART2 on PF[6:4]         |
| 0x2   | -       | Reserved                  |
| 0x3   | NONE    | Not connected to any pins |

#### Bits 3:2 – USART1[1:0] USART 1 Communication

Write these bits to select alternative communication pins for USART 1.

| Value | Name    | Description               |
|-------|---------|---------------------------|
| 0x0   | DEFAULT | USART1 on PC[3:0]         |
| 0x1   | ALT1    | USART1 on PC[7:4]         |
| 0x2   | -       | Reserved                  |
| 0x3   | NONE    | Not connected to any pins |

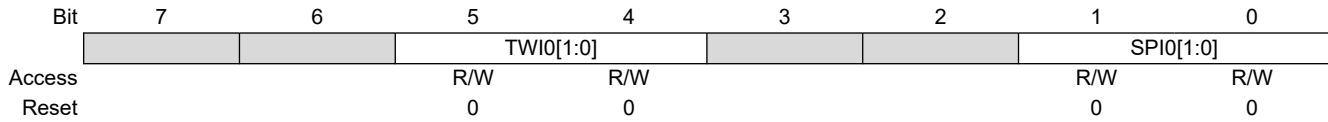
#### Bits 1:0 – USART0[1:0] USART 0 Communication

Write these bits to select alternative communication pins for USART 0.

| Value | Name    | Description               |
|-------|---------|---------------------------|
| 0x0   | DEFAULT | USART0 on PA[3:0]         |
| 0x1   | ALT1    | USART0 on PA[7:4]         |
| 0x2   | -       | Reserved                  |
| 0x3   | NONE    | Not connected to any pins |

### 15.3.4 PORTMUX Control for TWI and SPI

**Name:** TWISPIROUTEA  
**Offset:** 0x03  
**Reset:** 0x00  
**Property:** -



#### Bits 5:4 – TWI0[1:0] TWI 0 Communication

Write these bits to select alternative communication pins for TWI 0.

| Value | Name    | Description   |
|-------|---------|---|
| 0x0   | DEFAULT | SCL/SDA on PA[3:2], Client mode on PC[3:2] in dual TWI mode |
| 0x1   | ALT1    | SCL/SDA on PA[3:2], Client mode on PF[3:2] in dual TWI mode |
| 0x2   | ALT2    | SCL/SDA on PC[3:2], Client mode on PF[3:2] in dual TWI mode |
| 0x3   | -       | Reserved  |

#### Bits 1:0 – SPI0[1:0] SPI 0 Communication

Write these bits to select alternative communication pins for SPI 0.

| Value | Name    | Description               |
|-------|---------|---------------------------|
| 0x0   | DEFAULT | SPI on PA[7:4]            |
| 0x1   | ALT1    | SPI on PC[3:0]            |
| 0x2   | ALT2    | SPI on PE[3:0]            |
| 0x3   | NONE    | Not connected to any pins |



### 15.3.5 PORTMUX Control for TCA

**Name:** TCAROUTEA  
**Offset:** 0x04  
**Reset:** 0x00  
**Property:** -

|        |   |   |   |   |   |   |           |     |     |
|--------|---|---|---|---|---|---|-----------|-----|-----|
|        | 7 | 6 | 5 | 4 | 3 | 2 | 1         | 0   |     |
|        |   |   |   |   |   |   | TCA0[2:0] |     |     |
| Access |   |   |   |   |   |   | R/W       | R/W | R/W |
| Reset  |   |   |   |   |   |   | 0         | 0   | 0   |

**Bits 2:0 – TCA0[2:0]** TCA0 Output

Write these bits to select alternative output pins for TCA0.

| Value | Name  | Description          |
|-------|-------|----------------------|
| 0x0   | PORTA | TCA0 pins on PA[5:0] |
| 0x1   | PORTB | TCA0 pins on PB[5:0] |
| 0x2   | PORTC | TCA0 pins on PC[5:0] |
| 0x3   | PORTD | TCA0 pins on PD[5:0] |
| 0x4   | PORTE | TCA0 pins on PE[5:0] |
| 0x5   | PORTF | TCA0 pins on PF[5:0] |
| Other | -     | Reserved             |

### 15.3.6 PORTMUX Control for TCB

**Name:** TCBROUTEA  
**Offset:** 0x05  
**Reset:** 0x00  
**Property:** -

|        |   |   |   |   |      |      |      |      |
|--------|---|---|---|---|------|------|------|------|
|        | 7 | 6 | 5 | 4 | 3    | 2    | 1    | 0    |
| Access |   |   |   |   | TCB3 | TCB2 | TCB1 | TCB0 |
| Reset  |   |   |   |   | R/W  | R/W  | R/W  | R/W  |
|        |   |   |   |   | 0    | 0    | 0    | 0    |

#### Bit 3 – TCB3 TCB3 Output

Write this bit to '1' to select alternative output pin for 16-bit timer/counter B 3.

| Value | Name    | Description |
|-------|---------|-------------|
| 0x0   | DEFAULT | TCB3 on PB5 |
| 0x1   | ALT1    | TCB3 on PC1 |

#### Bit 2 – TCB2 TCB2 Output

Write this bit to '1' to select alternative output pin for 16-bit timer/counter B 2.

| Value | Name    | Description |
|-------|---------|-------------|
| 0x0   | DEFAULT | TCB2 on PC0 |
| 0x1   | ALT1    | TCB2 on PB4 |

#### Bit 1 – TCB1 TCB1 Output

Write this bit to '1' to select alternative output pin for 16-bit timer/counter B 1.

| Value | Name    | Description |
|-------|---------|-------------|
| 0x0   | DEFAULT | TCB1 on PA3 |
| 0x1   | ALT1    | TCB1 on PF5 |

#### Bit 0 – TCB0 TCB0 Output

Write this bit to '1' to select alternative output pin for 16-bit timer/counter B 0.

| Value | Name    | Description |
|-------|---------|-------------|
| 0x0   | DEFAULT | TCB0 on PA2 |
| 0x1   | ALT1    | TCB0 on PF4 |

## 16. PORT - I/O Pin Configuration

### 16.1 Features

- General Purpose Input and Output Pins with Individual Configuration:
  - Pull-up
  - Inverted I/O
- Interrupts and Events:
  - Sense both edges
  - Sense rising edges
  - Sense falling edges
  - Sense low level
- Optional Slew Rate Control per I/O Port
- Asynchronous Pin Change Sensing that Can Wake the Device From all Sleep Modes
- Efficient and Safe Access to Port Pins
  - Hardware Read-Modify-Write (RMW) through dedicated toggle/clear/set registers
  - Mapping of often-used PORT registers into bit-accessible I/O memory space (virtual ports)

### 16.2 Overview

The I/O pins of the device are controlled by instances of the PORT peripheral registers. Each PORT instance has up to eight I/O pins. The PORTs are named PORTA, PORTB, PORTC, etc. Refer to the *I/O Multiplexing and Considerations* section to see which pins are controlled by what instance of PORT. The base addresses of the PORT instances and the corresponding Virtual PORT instances are listed in the *Peripherals and Architecture* section.

Each PORT pin has a corresponding bit in the Data Direction (PORTx.DIR) and Data Output Value (PORTx.OUT) registers to enable that pin as an output and to define the output state. For example, pin PA3 is controlled by DIR[3] and OUT[3] of the PORTA instance.

The input value of a PORT pin is synchronized to the Peripheral Clock (CLK\_PER) and then made accessible as the data input value (PORTx.IN). The value of the pin can be read whether the pin is configured as input or output.

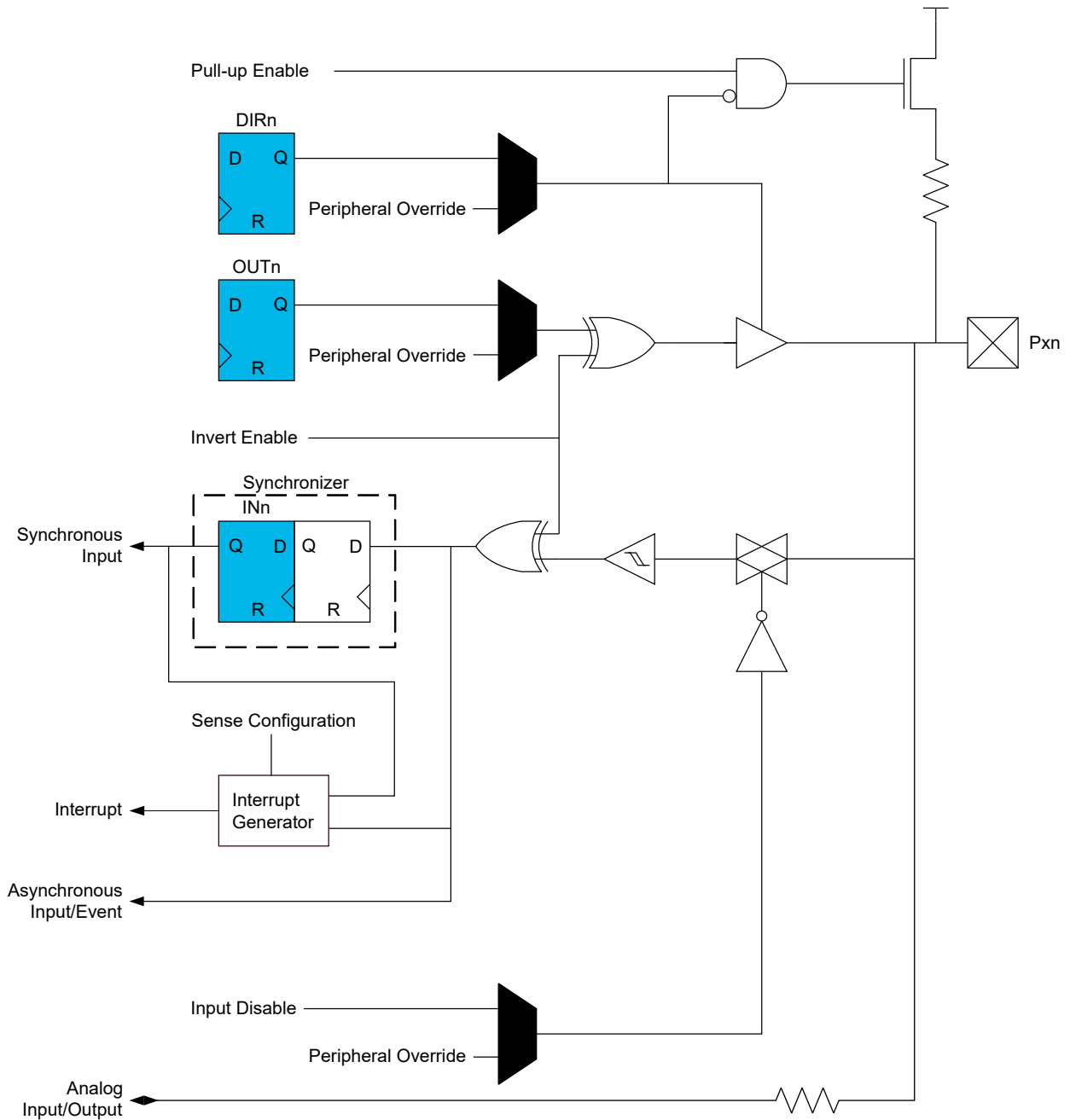
The PORT also supports asynchronous input sensing with interrupts and events for selectable pin change conditions. Asynchronous pin change sensing means that a pin change can trigger an interrupt and wake the device from sleep, including sleep modes where CLK\_PER is stopped.

All pin functions are individually configurable per pin. The pins have hardware Read-Modify-Write functionality for a safe and correct change of the drive values and/or input and sense configuration.

The PORT pin configuration controls input and output selection of other device functions.

**16.2.1 Block Diagram**

Figure 16-1. PORT Block Diagram



**16.2.2 Signal Description**

| Signal          | Type    | Description                    |
|-----------------|---------|--------------------------------|
| P <sub>xn</sub> | I/O pin | I/O pin n on PORT <sub>x</sub> |

### 16.3 Functional Description

#### 16.3.1 Initialization

After Reset, all outputs are tri-stated, and digital input buffers enabled even if there is no clock running.

The following steps are all optional when initializing PORT operation:

- Enable or disable the output driver for pin P<sub>xn</sub> by respectively writing '1' to bit n in the PORT<sub>x</sub>.DIRSET or PORT<sub>x</sub>.DIRCLR register
- Set the output driver for pin P<sub>xn</sub> to high or low level respectively by writing '1' to bit n in the PORT<sub>x</sub>.OUTSET or PORT<sub>x</sub>.OUTCLR register
- Read the input of pin P<sub>xn</sub> by reading bit n in the PORT<sub>x</sub>.IN register
- Configure the individual pin configurations and interrupt control for pin P<sub>xn</sub> in PORT<sub>x</sub>.PINnCTRL



**Important:** For lowest power consumption, disable the digital input buffer of unused pins and pins that are used as analog inputs or outputs.

Specific pins, such as those used to connect a debugger, may be configured differently, as required by their special function.

#### 16.3.2 Operation

##### 16.3.2.1 Basic Functions

Each pin group x has its own set of PORT registers. I/O pin P<sub>xn</sub> can be controlled by the registers in PORT<sub>x</sub>.

To use pin number n as an output, write bit n of the PORT<sub>x</sub>.DIR register to '1'. This can be done by writing bit n in the PORT<sub>x</sub>.DIRSET register to '1', which will avoid disturbing the configuration of other pins in that group. The n<sup>th</sup> bit in the PORT<sub>x</sub>.OUT register must be written to the desired output value.

Similarly, writing a PORT<sub>x</sub>.OUTSET bit to '1' will set the corresponding bit in the PORT<sub>x</sub>.OUT register to '1'. Writing a bit in PORT<sub>x</sub>.OUTCLR to '1' will clear that bit in PORT<sub>x</sub>.OUT to '0'. Writing a bit in PORT<sub>x</sub>.OUTTGL or PORT<sub>x</sub>.IN to '1' will toggle that bit in PORT<sub>x</sub>.OUT.

To use pin n as an input, bit n in the PORT<sub>x</sub>.DIR register must be written to '0' to disable the output driver. This can be done by writing bit n in the PORT<sub>x</sub>.DIRCLR register to '1', which will avoid disturbing the configuration of other pins in that group. The input value can be read from bit n in the PORT<sub>x</sub>.IN register as long as the ISC bit is not set to INPUT\_DISABLE.

Writing a bit to '1' in PORT<sub>x</sub>.DIRTGL will toggle that bit in PORT<sub>x</sub>.DIR and toggle the direction of the corresponding pin.

##### 16.3.2.2 Port Configuration

The Port Control (PORT<sub>x</sub>.PORTCTRL) register is used to configure the slew rate limitation for all the PORT<sub>x</sub> pins.

The slew rate limitation is enabled by writing a '1' to the Slew Rate Limit Enable (SLR) bit in PORT<sub>x</sub>.PORTCTRL. Refer to the *Electrical Characteristics* section for further details.

##### 16.3.2.3 Pin Configuration

The Pin n Control (PORT<sub>x</sub>.PINnCTRL) register is used to configure inverted I/O, pull-up, and input sensing of a pin. The control register for pin n is at the byte address PORT<sub>x</sub> + 0x10 + n.

All input and output on the respective pin n can be inverted by writing a '1' to the Inverted I/O Enable (INVEN) bit in PORT<sub>x</sub>.PINnCTRL. When INVEN is '1', the PORT<sub>x</sub>.IN/OUT/OUTSET/OUTTGL registers will have an inverted operation for this pin.

Toggling the INVEN bit causes an edge on the pin, which can be detected by all peripherals using this pin, and is seen by interrupts or events if enabled.

The input pull-up of pin *n* is enabled by writing a '1' to the Pull-up Enable (PULLUPEN) bit in PORTx.PINnCTRL. The pull-up is disconnected when the pin is configured as an output, even if PULLUPEN is '1'.

Pin interrupts can be enabled for pin *n* by writing to the Input/Sense Configuration (ISC) bit field in PORTx.PINnCTRL. Refer to [16.3.3 Interrupts](#) for further details.

The digital input buffer for pin *n* can be disabled by writing the INPUT\_DISABLE setting to ISC. This can reduce power consumption and may reduce noise if the pin is used as analog input. While configured to INPUT\_DISABLE, bit *n* in PORTx.IN will not change since the input synchronizer is disabled.

### 16.3.2.4 Virtual Ports

The Virtual PORT registers map the most frequently used regular PORT registers into the I/O Register space with single-cycle bit access. Access to the Virtual PORT registers has the same outcome as access to the regular registers but allows for memory specific instructions, such as bit manipulation instructions, which cannot be used in the extended I/O Register space where the regular PORT registers reside. The following table shows the mapping between the PORT and VPORT registers.

**Table 16-1. Virtual Port Mapping**

| Regular PORT Register | Mapped to Virtual PORT Register |
|-----------------------|---------------------------------|
| PORTx.DIR             | VPORTx.DIR                      |
| PORTx.OUT             | VPORTx.OUT                      |
| PORTx.IN              | VPORTx.IN                       |
| PORTx.INTFLAGS        | VPORTx.INTFLAGS                 |

### 16.3.2.5 Peripheral Override

Peripherals such as USARTs, ADCs and timers may be connected to I/O pins. Such peripherals will usually have a primary and, optionally, one or more alternate I/O pin connections, selectable by PORTMUX or a multiplexer inside the peripheral. By configuring and enabling such peripherals, the general purpose I/O pin behavior normally controlled by PORT will be overridden in a peripheral dependent way. Some peripherals may not override all the PORT registers, leaving the PORT module to control some aspects of the I/O pin operation.

Refer to the description of each peripheral for information on the peripheral override. Any pin in a PORT that is not overridden by a peripheral will continue to operate as a general purpose I/O pin.

### 16.3.3 Interrupts

**Table 16-2. Available Interrupt Vectors and Sources**

| Name  | Vector Description | Conditions  |
|-------|--------------------|---|
| PORTx | PORT interrupt     | INTn in PORTx.INTFLAGS is raised as configured by the Input/Sense Configuration (ISC) bit in PORTx.PINnCTRL |

Each PORT pin *n* can be configured as an interrupt source. Each interrupt can be individually enabled or disabled by writing to ISC in PORTx.PINnCTRL.

When an interrupt condition occurs, the corresponding interrupt flag is set in the Interrupt Flags register of the peripheral (*peripheral*.INTFLAGS).

An interrupt request is generated when the corresponding interrupt source is enabled, and the interrupt flag is set. The interrupt request remains active until the interrupt flag is cleared. See the peripheral's INTFLAGS register for details on how to clear interrupt flags.

When setting or changing interrupt settings, take these points into account:

- If an Inverted I/O Enable (INVEN) bit is toggled in the same cycle as ISC is changed, the edge caused by the inversion toggling may not cause an interrupt request
- If an input is disabled by writing to ISC while synchronizing an interrupt, that interrupt may be requested on re-enabling the input, even if it is re-enabled with a different interrupt setting

- If the interrupt setting is changed by writing to ISC while synchronizing an interrupt, that interrupt may not be requested

### 16.3.3.1 Asynchronous Sensing Pin Properties

All PORT pins support asynchronous input sensing with interrupts for selectable pin change conditions. Fully asynchronous pin change sensing can trigger an interrupt and wake the device from all sleep modes, including modes where the Peripheral Clock (CLK\_PER) is stopped, while partially asynchronous pin change sensing is limited as per the table below. See the *I/O Multiplexing and Considerations* section for further details on which pins support fully asynchronous pin change sensing.

**Table 16-3. Behavior Comparison of Sense Pins**

| Property   | Partially Asynchronous Pins   | Fully Asynchronous Pins                 |
|--|---|---|
| Waking the device from sleep modes with CLK_PER running          | From all interrupt sense configurations                               | From all interrupt sense configurations |
| Waking the device from sleep modes with CLK_PER stopped          | Only from BOTHEDGES or LEVEL interrupt sense configurations           |   |
| Minimum pulse-width to trigger an interrupt with CLK_PER running | Minimum one CLK_PER cycle   | Less than one CLK_PER cycle             |
| Minimum pulse-width to trigger an interrupt with CLK_PER stopped | The pin value must be kept until CLK_PER has restarted <sup>(1)</sup> |   |
| Interrupt “dead-time”  | No new interrupt for three CLK_PER cycles after the previous          |   |

**Note:**

1. If a partially asynchronous input pin is used for wake-up from sleep with CLK\_PER stopped, the required level must be held long enough for the MCU to complete the wake-up to trigger the interrupt. If the level disappears, the MCU can wake up without any interrupt generated.

### 16.3.4 Events

PORT can generate the following events:

**Table 16-4. Event Generators in PORTx**

| Generator Name |       | Description | Event Type | Generating Clock Domain | Length of Event    |
|----------------|-------|-------------|------------|-------------------------|--------------------|
| Peripheral     | Event |             |            |                         |                    |
| PORTx          | PINn  | Pin level   | Level      | Asynchronous            | Given by pin level |

All PORT pins are asynchronous event system generators. PORT has as many event generators as there are PORT pins in the device. Each event system output from PORT is the value present on the corresponding pin if the digital input buffer is enabled. If a pin input buffer is disabled, the corresponding event system output is zero.

PORT has no event inputs. Refer to the *Event System (EVSYS)* section for more details regarding event types and Event System configuration.

### 16.3.5 Sleep Mode Operation

Except for interrupts and input synchronization, all pin configurations are independent of sleep modes. All pins can wake the device from sleep, see the PORT Interrupt section for further details.

Peripherals connected to the PORTs can be affected by sleep modes, described in the respective peripherals' data sheet section.



**Important:** The PORTs will always use the Peripheral Clock (CLK\_PER). Input synchronization will halt when this clock stops.

---

### 16.3.6 Debug Operation

When the CPU is halted in Debug mode, the PORT continues normal operation. If the PORT is configured in a way that requires it to be periodically serviced by the CPU through interrupts or similar, improper operation or data loss may result during debugging.



## 16.4 Register Summary - PORTx

| Offset | Name                     | Bit Pos. | 7           | 6 | 5 | 4 | 3        | 2        | 1 | 0   |
|--------|--------------------------|----------|-------------|---|---|---|----------|----------|---|-----|
| 0x00   | <a href="#">DIR</a>      | 7:0      | DIR[7:0]    |   |   |   |          |          |   |     |
| 0x01   | <a href="#">DIRSET</a>   | 7:0      | DIRSET[7:0] |   |   |   |          |          |   |     |
| 0x02   | <a href="#">DIRCLR</a>   | 7:0      | DIRCLR[7:0] |   |   |   |          |          |   |     |
| 0x03   | <a href="#">DIRTGL</a>   | 7:0      | DIRTGL[7:0] |   |   |   |          |          |   |     |
| 0x04   | <a href="#">OUT</a>      | 7:0      | OUT[7:0]    |   |   |   |          |          |   |     |
| 0x05   | <a href="#">OUTSET</a>   | 7:0      | OUTSET[7:0] |   |   |   |          |          |   |     |
| 0x06   | <a href="#">OUTCLR</a>   | 7:0      | OUTCLR[7:0] |   |   |   |          |          |   |     |
| 0x07   | <a href="#">OUTTGL</a>   | 7:0      | OUTTGL[7:0] |   |   |   |          |          |   |     |
| 0x08   | <a href="#">IN</a>       | 7:0      | IN[7:0]     |   |   |   |          |          |   |     |
| 0x09   | <a href="#">INTFLAGS</a> | 7:0      | INT[7:0]    |   |   |   |          |          |   |     |
| 0x0A   | <a href="#">PORTCTRL</a> | 7:0      |             |   |   |   |          |          |   | SRL |
| 0x0B   | Reserved                 |          |             |   |   |   |          |          |   |     |
| ...    |                          |          |             |   |   |   |          |          |   |     |
| 0x0F   |                          |          |             |   |   |   |          |          |   |     |
| 0x10   | <a href="#">PIN0CTRL</a> | 7:0      | INVEN       |   |   |   | PULLUPEN | ISC[2:0] |   |     |
| 0x11   | <a href="#">PIN1CTRL</a> | 7:0      | INVEN       |   |   |   | PULLUPEN | ISC[2:0] |   |     |
| 0x12   | <a href="#">PIN2CTRL</a> | 7:0      | INVEN       |   |   |   | PULLUPEN | ISC[2:0] |   |     |
| 0x13   | <a href="#">PIN3CTRL</a> | 7:0      | INVEN       |   |   |   | PULLUPEN | ISC[2:0] |   |     |
| 0x14   | <a href="#">PIN4CTRL</a> | 7:0      | INVEN       |   |   |   | PULLUPEN | ISC[2:0] |   |     |
| 0x15   | <a href="#">PIN5CTRL</a> | 7:0      | INVEN       |   |   |   | PULLUPEN | ISC[2:0] |   |     |
| 0x16   | <a href="#">PIN6CTRL</a> | 7:0      | INVEN       |   |   |   | PULLUPEN | ISC[2:0] |   |     |
| 0x17   | <a href="#">PIN7CTRL</a> | 7:0      | INVEN       |   |   |   | PULLUPEN | ISC[2:0] |   |     |

## 16.5 Register Description - PORTx

### 16.5.1 Data Direction

**Name:** DIR  
**Offset:** 0x00  
**Reset:** 0x00  
**Property:** -

|        |          |     |     |     |     |     |     |     |
|--------|----------|-----|-----|-----|-----|-----|-----|-----|
|        | 7        | 6   | 5   | 4   | 3   | 2   | 1   | 0   |
|        | DIR[7:0] |     |     |     |     |     |     |     |
| Access | R/W      | R/W | R/W | R/W | R/W | R/W | R/W | R/W |
| Reset  | 0        | 0   | 0   | 0   | 0   | 0   | 0   | 0   |

#### Bits 7:0 – DIR[7:0] Data Direction

This bit field controls the output driver for each PORTx pin.

This bit field does not control the digital input buffer. The digital input buffer for pin n (Pxn) can be configured in the Input/Sense Configuration (ISC) bit field in the Pin n Control (PORTx.PINnCTRL) register.

The available configuration for each bit n in this bit field is shown in the table below.

| Value | Description   |
|-------|---|
| 0     | Pxn is configured as an input-only pin, and the output driver is disabled |
| 1     | Pxn is configured as an output pin, and the output driver is enabled      |

### 16.5.2 Data Direction Set

**Name:** DIRSET  
**Offset:** 0x01  
**Reset:** 0x00  
**Property:** -

|        |             |     |     |     |     |     |     |     |
|--------|-------------|-----|-----|-----|-----|-----|-----|-----|
|        | 7           | 6   | 5   | 4   | 3   | 2   | 1   | 0   |
|        | DIRSET[7:0] |     |     |     |     |     |     |     |
| Access | R/W         | R/W | R/W | R/W | R/W | R/W | R/W | R/W |
| Reset  | 0           | 0   | 0   | 0   | 0   | 0   | 0   | 0   |

**Bits 7:0 – DIRSET[7:0]** Data Direction Set

This bit field controls the output driver for each PORTx pin, without using a read-modify-write operation.

Writing a '0' to bit n in this bit field has no effect.

Writing a '1' to bit n in this bit field will set the corresponding bit in PORTx.DIR, which will configure pin n (Pxn) as an output pin and enable the output driver.

Reading this bit field will return the value of PORTx.DIR.

**16.5.3 Data Direction Clear**

**Name:** DIRCLR  
**Offset:** 0x02  
**Reset:** 0x00  
**Property:** -

|        |             |     |     |     |     |     |     |     |
|--------|-------------|-----|-----|-----|-----|-----|-----|-----|
|        | 7           | 6   | 5   | 4   | 3   | 2   | 1   | 0   |
|        | DIRCLR[7:0] |     |     |     |     |     |     |     |
| Access | R/W         | R/W | R/W | R/W | R/W | R/W | R/W | R/W |
| Reset  | 0           | 0   | 0   | 0   | 0   | 0   | 0   | 0   |

**Bits 7:0 – DIRCLR[7:0]** Data Direction Clear

This bit field controls the output driver for each PORTx pin, without using a read-modify-write operation.

Writing a '0' to bit n in this bit field has no effect.

Writing a '1' to bit n in this bit field will clear the corresponding bit in PORTx.DIR, which will configure pin n (Pxn) as an input-only pin and disable the output driver.

Reading this bit field will return the value of PORTx.DIR.

**16.5.4 Data Direction Toggle**

**Name:** DIRTGL  
**Offset:** 0x03  
**Reset:** 0x00  
**Property:** -

|        |             |     |     |     |     |     |     |     |
|--------|-------------|-----|-----|-----|-----|-----|-----|-----|
| Bit    | 7           | 6   | 5   | 4   | 3   | 2   | 1   | 0   |
|        | DIRTGL[7:0] |     |     |     |     |     |     |     |
| Access | R/W         | R/W | R/W | R/W | R/W | R/W | R/W | R/W |
| Reset  | 0           | 0   | 0   | 0   | 0   | 0   | 0   | 0   |

**Bits 7:0 – DIRTGL[7:0] Data Direction Toggle**

This bit field controls the output driver for each PORTx pin, without using a read-modify-write operation.

Writing a '0' to bit n in this bit field has no effect.

Writing a '1' to bit n in this bit field will toggle the corresponding bit in PORTx.DIR.

Reading this bit field will return the value of PORTx.DIR.

### 16.5.5 Output Value

**Name:** OUT  
**Offset:** 0x04  
**Reset:** 0x00  
**Property:** -

|        |          |  |     |  |     |  |     |  |     |  |     |  |     |  |     |
|--------|----------|--|-----|--|-----|--|-----|--|-----|--|-----|--|-----|--|-----|
|        | 7        |  | 6   |  | 5   |  | 4   |  | 3   |  | 2   |  | 1   |  | 0   |
|        | OUT[7:0] |  |     |  |     |  |     |  |     |  |     |  |     |  |     |
| Access | R/W      |  | R/W |  | R/W |  | R/W |  | R/W |  | R/W |  | R/W |  | R/W |
| Reset  | 0        |  | 0   |  | 0   |  | 0   |  | 0   |  | 0   |  | 0   |  | 0   |

#### Bits 7:0 – OUT[7:0] Output Value

This bit field controls the output driver level for each PORTx pin.

This configuration only has an effect when the output driver (PORTx.DIR) is enabled for the corresponding pin.

The available configuration for each bit n in this bit field is shown in the table below.

| Value | Description                          |
|-------|--------------------------------------|
| 0     | The pin n (Pxn) output is driven low |
| 1     | The Pxn output is driven high        |

### 16.5.6 Output Value Set

**Name:** OUTSET  
**Offset:** 0x05  
**Reset:** 0x00  
**Property:** -

|        |             |     |     |     |     |     |     |     |
|--------|-------------|-----|-----|-----|-----|-----|-----|-----|
|        | 7           | 6   | 5   | 4   | 3   | 2   | 1   | 0   |
|        | OUTSET[7:0] |     |     |     |     |     |     |     |
| Access | R/W         | R/W | R/W | R/W | R/W | R/W | R/W | R/W |
| Reset  | 0           | 0   | 0   | 0   | 0   | 0   | 0   | 0   |

**Bits 7:0 – OUTSET[7:0]** Output Value Set

This bit field controls the output driver level for each PORTx pin, without using a read-modify-write operation.

Writing a '0' to bit n in this bit field has no effect.

Writing a '1' to bit n in this bit field will set the corresponding bit in PORTx.OUT, which will configure the output for pin n (Pxn) to be driven high.

Reading this bit field will return the value of PORTx.OUT.

### 16.5.7 Output Value Clear

**Name:** OUTCLR  
**Offset:** 0x06  
**Reset:** 0x00  
**Property:** -

|        |             |     |     |     |     |     |     |     |
|--------|-------------|-----|-----|-----|-----|-----|-----|-----|
|        | 7           | 6   | 5   | 4   | 3   | 2   | 1   | 0   |
|        | OUTCLR[7:0] |     |     |     |     |     |     |     |
| Access | R/W         | R/W | R/W | R/W | R/W | R/W | R/W | R/W |
| Reset  | 0           | 0   | 0   | 0   | 0   | 0   | 0   | 0   |

**Bits 7:0 – OUTCLR[7:0]** Output Value Clear

This bit field controls the output driver level for each PORTx pin, without using a read-modify-write operation.

Writing a '0' to bit n in this bit field has no effect.

Writing a '1' to bit n in this bit field will clear the corresponding bit in PORTx.OUT, which will configure the output for pin n (Pxn) to be driven low.

Reading this bit field will return the value of PORTx.OUT.



### 16.5.8 Output Value Toggle

**Name:** OUTTGL  
**Offset:** 0x07  
**Reset:** 0x00  
**Property:** -

|        |             |     |     |     |     |     |     |     |
|--------|-------------|-----|-----|-----|-----|-----|-----|-----|
|        | 7           | 6   | 5   | 4   | 3   | 2   | 1   | 0   |
|        | OUTTGL[7:0] |     |     |     |     |     |     |     |
| Access | R/W         | R/W | R/W | R/W | R/W | R/W | R/W | R/W |
| Reset  | 0           | 0   | 0   | 0   | 0   | 0   | 0   | 0   |

**Bits 7:0 – OUTTGL[7:0]** Output Value Toggle

This bit field controls the output driver level for each PORTx pin, without using a read-modify-write operation.

Writing a '0' to bit n in this bit field has no effect.

Writing a '1' to bit n in this bit field will toggle the corresponding bit in PORTx.OUT.

Reading this bit field will return the value of PORTx.OUT.

### 16.5.9 Input Value

**Name:** IN  
**Offset:** 0x08  
**Reset:** 0x00  
**Property:** -

|        |         |     |     |     |     |     |     |     |
|--------|---------|-----|-----|-----|-----|-----|-----|-----|
|        | 7       | 6   | 5   | 4   | 3   | 2   | 1   | 0   |
|        | IN[7:0] |     |     |     |     |     |     |     |
| Access | R/W     | R/W | R/W | R/W | R/W | R/W | R/W | R/W |
| Reset  | 0       | 0   | 0   | 0   | 0   | 0   | 0   | 0   |

#### Bits 7:0 – IN[7:0] Input Value

This bit field shows the state of the PORTx pins when the digital input buffer is enabled.

Writing a '0' to bit n in this bit field has no effect.

Writing a '1' to bit n in this bit field will toggle the corresponding bit in PORTx.OUT.

If the digital input buffer is disabled, the input is not sampled, and the bit value will not change. The digital input buffer for pin n (Pxn) can be configured in the Input/Sense Configuration (ISC) bit field in the Pin n Control (PORTx.PINnCTRL) register.

The available states of each bit n in this bit field is shown in the table below.

| Value | Description                      |
|-------|----------------------------------|
| 0     | The voltage level on Pxn is low  |
| 1     | The voltage level on Pxn is high |

### 16.5.10 Interrupt Flags

**Name:** INTFLAGS  
**Offset:** 0x09  
**Reset:** 0x00  
**Property:** -

|        |          |     |     |     |     |     |     |     |
|--------|----------|-----|-----|-----|-----|-----|-----|-----|
|        | 7        | 6   | 5   | 4   | 3   | 2   | 1   | 0   |
|        | INT[7:0] |     |     |     |     |     |     |     |
| Access | R/W      | R/W | R/W | R/W | R/W | R/W | R/W | R/W |
| Reset  | 0        | 0   | 0   | 0   | 0   | 0   | 0   | 0   |

**Bits 7:0 – INT[7:0] Pin Interrupt Flag**

Pin interrupt flag n is cleared by writing a '1' to it.

Pin interrupt flag n is set when the change or state of pin n (Pxn) matches the pin's Input/Sense Configuration (ISC) in PORTx.PINnCTRL.

Writing a '0' to bit n in this bit field has no effect.

Writing a '1' to bit n in this bit field will clear Pin interrupt flag n.

### 16.5.11 Port Control

**Name:** PORTCTRL  
**Offset:** 0x0A  
**Reset:** 0x00  
**Property:** -

This register contains the slew rate limit enable bit for this port.

|        |   |   |   |   |   |   |   |     |
|--------|---|---|---|---|---|---|---|-----|
|        | 7 | 6 | 5 | 4 | 3 | 2 | 1 | 0   |
|        |   |   |   |   |   |   |   | SRL |
| Access |   |   |   |   |   |   |   | R/W |
| Reset  |   |   |   |   |   |   |   | 0   |

**Bit 0 – SRL** Slew Rate Limit Enable

This bit controls slew rate limitation for all pins in PORTx.

| Value | Description  |
|-------|--|
| 0     | Slew rate limitation is disabled for all pins in PORTx |
| 1     | Slew rate limitation is enabled for all pins in PORTx  |

### 16.5.12 Pin n Control

**Name:** PINnCTRL  
**Offset:** 0x10 + n\*0x01 [n=0..7]  
**Reset:** 0x00  
**Property:** -

|        |     |       |   |   |   |          |     |          |     |
|--------|-----|-------|---|---|---|----------|-----|----------|-----|
|        | Bit | 7     | 6 | 5 | 4 | 3        | 2   | 1        | 0   |
|        |     | INVEN |   |   |   | PULLUPEN |     | ISC[2:0] |     |
| Access |     | R/W   |   |   |   | R/W      | R/W | R/W      | R/W |
| Reset  |     | 0     |   |   |   | 0        | 0   | 0        | 0   |

#### Bit 7 – INVEN Inverted I/O Enable

This bit controls whether the input and output for pin n are inverted or not.

| Value | Description                              |
|-------|--|
| 0     | Input and output values are not inverted |
| 1     | Input and output values are inverted     |

#### Bit 3 – PULLUPEN Pull-up Enable

This bit controls whether the internal pull-up of pin n is enabled or not when the pin is configured as input-only.

| Value | Description      |
|-------|------------------|
| 0     | Pull-up disabled |
| 1     | Pull-up enabled  |

#### Bits 2:0 – ISC[2:0] Input/Sense Configuration

This bit field controls the input and sense configuration of pin n. The sense configuration determines how a port interrupt can be triggered.

| Value | Name          | Description  |
|-------|---------------|--|
| 0x0   | INTDISABLE    | Interrupt disabled but input buffer enabled                |
| 0x1   | BOTHEDGES     | Interrupt enabled with sense on both edges                 |
| 0x2   | RISING        | Interrupt enabled with sense on rising edge                |
| 0x3   | FALLING       | Interrupt enabled with sense on falling edge               |
| 0x4   | INPUT_DISABLE | Interrupt and digital input buffer disabled <sup>(1)</sup> |
| 0x5   | LEVEL         | Interrupt enabled with sense on low level                  |
| other | —             | Reserved   |

#### Note:

- If the digital input buffer for pin n is disabled, bit n in the Input Value (PORTx.IN) register will not be updated.

## 16.6 Register Summary - VPORtx

| Offset | Name     | Bit Pos. | 7 | 6 | 5 | 4 | 3 | 2 | 1 | 0        |
|--------|----------|----------|---|---|---|---|---|---|---|----------|
| 0x00   | DIR      | 7:0      |   |   |   |   |   |   |   | DIR[7:0] |
| 0x01   | OUT      | 7:0      |   |   |   |   |   |   |   | OUT[7:0] |
| 0x02   | IN       | 7:0      |   |   |   |   |   |   |   | IN[7:0]  |
| 0x03   | INTFLAGS | 7:0      |   |   |   |   |   |   |   | INT[7:0] |

## 16.7 Register Description - VPORtx

### 16.7.1 Data Direction

**Name:** DIR  
**Offset:** 0x00  
**Reset:** 0x00  
**Property:** -

Access to the Virtual PORT registers has the same outcome as access to the regular registers but allows for memory specific instructions, such as bit manipulation instructions, which cannot be used in the extended I/O Register space where the regular PORT registers reside.

|        |          |     |     |     |     |     |     |     |
|--------|----------|-----|-----|-----|-----|-----|-----|-----|
| Bit    | 7        | 6   | 5   | 4   | 3   | 2   | 1   | 0   |
|        | DIR[7:0] |     |     |     |     |     |     |     |
| Access | R/W      | R/W | R/W | R/W | R/W | R/W | R/W | R/W |
| Reset  | 0        | 0   | 0   | 0   | 0   | 0   | 0   | 0   |

#### Bits 7:0 – DIR[7:0] Data Direction

This bit field controls the output driver for each PORTx pin.

This bit field does not control the digital input buffer. The digital input buffer for pin n (Pxn) can be configured in the Input/Sense Configuration (ISC) bit field in the Pin n Control (PORTx.PINnCTRL) register.

The available configuration for each bit n in this bit field is shown in the table below.

| Value | Description   |
|-------|---|
| 0     | Pxn is configured as an input-only pin, and the output driver is disabled |
| 1     | Pxn is configured as an output pin, and the output driver is enabled      |

### 16.7.2 Output Value

**Name:** OUT  
**Offset:** 0x01  
**Reset:** 0x00  
**Property:** -

Access to the Virtual PORT registers has the same outcome as access to the regular registers but allows for memory specific instructions, such as bit manipulation instructions, which cannot be used in the extended I/O Register space where the regular PORT registers reside.

|        |          |     |     |     |     |     |     |     |
|--------|----------|-----|-----|-----|-----|-----|-----|-----|
| Bit    | 7        | 6   | 5   | 4   | 3   | 2   | 1   | 0   |
|        | OUT[7:0] |     |     |     |     |     |     |     |
| Access | R/W      | R/W | R/W | R/W | R/W | R/W | R/W | R/W |
| Reset  | 0        | 0   | 0   | 0   | 0   | 0   | 0   | 0   |

**Bits 7:0 – OUT[7:0] Output Value**

This bit field controls the output driver level for each PORTx pin.

This configuration only has an effect when the output driver (PORTx.DIR) is enabled for the corresponding pin.

The available configuration for each bit n in this bit field is shown in the table below.

| Value | Description                          |
|-------|--------------------------------------|
| 0     | The pin n (Pxn) output is driven low |
| 1     | The Pxn output is driven high        |



### 16.7.3 Input Value

**Name:** IN  
**Offset:** 0x02  
**Reset:** 0x00  
**Property:** -

Access to the Virtual PORT registers has the same outcome as access to the regular registers but allows for memory specific instructions, such as bit manipulation instructions, which cannot be used in the extended I/O Register space where the regular PORT registers reside.

|        |         |     |     |     |     |     |     |     |
|--------|---------|-----|-----|-----|-----|-----|-----|-----|
| Bit    | 7       | 6   | 5   | 4   | 3   | 2   | 1   | 0   |
|        | IN[7:0] |     |     |     |     |     |     |     |
| Access | R/W     | R/W | R/W | R/W | R/W | R/W | R/W | R/W |
| Reset  | 0       | 0   | 0   | 0   | 0   | 0   | 0   | 0   |

#### Bits 7:0 – IN[7:0] Input Value

This bit field shows the state of the PORTx pins when the digital input buffer is enabled.

Writing a '0' to bit n in this bit field has no effect.

Writing a '1' to bit n in this bit field will toggle the corresponding bit in PORTx.OUT.

If the digital input buffer is disabled, the input is not sampled, and the bit value will not change. The digital input buffer for pin n (Pxn) can be configured in the Input/Sense Configuration (ISC) bit field in the Pin n Control (PORTx.PINnCTRL) register.

The available states of each bit n in this bit field is shown in the table below.

| Value | Description                      |
|-------|----------------------------------|
| 0     | The voltage level on Pxn is low  |
| 1     | The voltage level on Pxn is high |

### 16.7.4 Interrupt Flags

**Name:** INTFLAGS  
**Offset:** 0x03  
**Reset:** 0x00  
**Property:** -

Access to the Virtual PORT registers has the same outcome as access to the regular registers but allows for memory specific instructions, such as bit manipulation instructions, which cannot be used in the extended I/O Register space where the regular PORT registers reside.

|        |          |     |     |     |     |     |     |     |
|--------|----------|-----|-----|-----|-----|-----|-----|-----|
| Bit    | 7        | 6   | 5   | 4   | 3   | 2   | 1   | 0   |
|        | INT[7:0] |     |     |     |     |     |     |     |
| Access | R/W      | R/W | R/W | R/W | R/W | R/W | R/W | R/W |
| Reset  | 0        | 0   | 0   | 0   | 0   | 0   | 0   | 0   |

**Bits 7:0 – INT[7:0] Pin Interrupt Flag**

Pin interrupt flag n is cleared by writing a '1' to it.

Pin interrupt flag n is set when the change or state of pin n (Pxn) matches the pin's Input/Sense Configuration (ISC) in PORTx.PINnCTRL.

Writing a '0' to bit n in this bit field has no effect.

Writing a '1' to bit n in this bit field will clear Pin interrupt flag n.

## **17. BOD - Brown-out Detector**

### **17.1 Features**

- Brown-out Detector Monitors the Power Supply to Avoid Operation Below a Programmable Level
- Three Available Modes:
  - Enabled mode (continuously active)
  - Sampled mode
  - Disabled
- Separate Selection of Mode for Active and Sleep Modes
- Voltage Level Monitor (VLM) with Interrupt
- Programmable VLM Level Relative to the BOD Level

### **17.2 Overview**

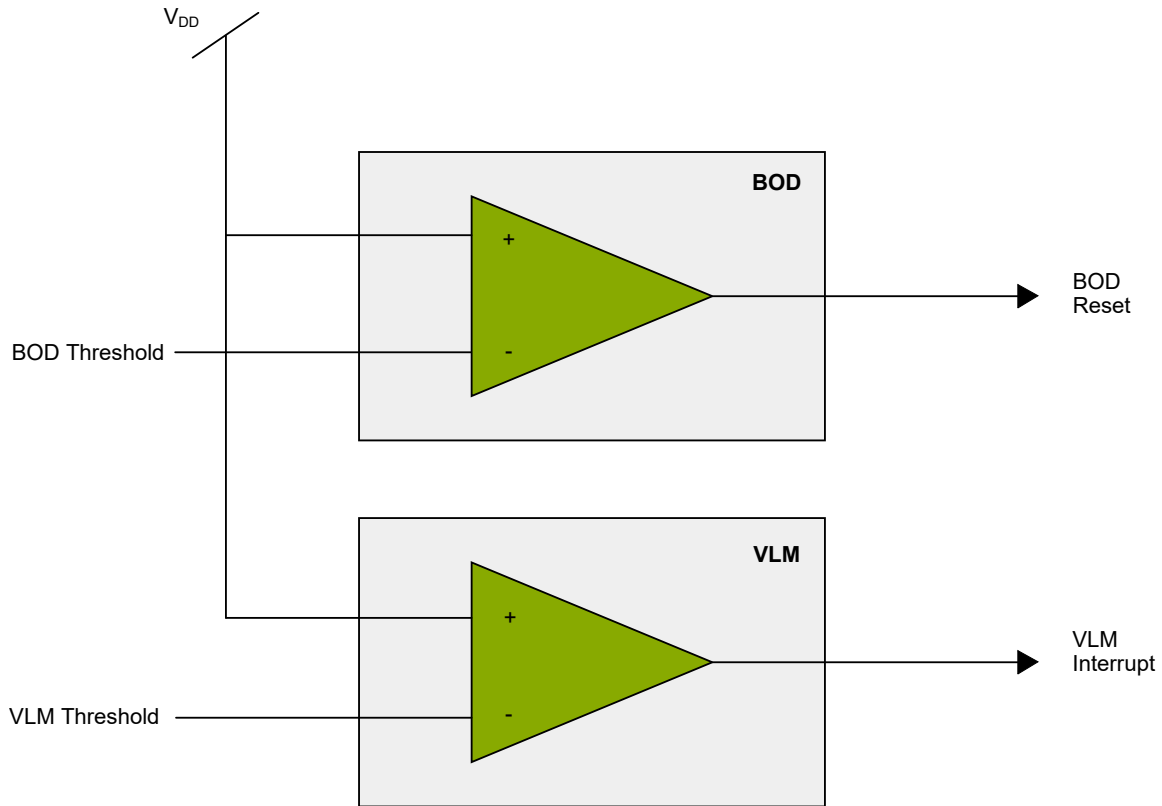
The Brown-out Detector (BOD) monitors the power supply and compares the supply voltage with the programmable brown-out threshold level. The brown-out threshold level defines when to generate a System Reset. The Voltage Level Monitor (VLM) monitors the power supply and compares it to a threshold higher than the BOD threshold. The VLM can then generate an interrupt as an “early warning” when the supply voltage is approaching the BOD threshold. The VLM threshold level is expressed as a percentage above the BOD threshold level.

The BOD is controlled mainly by fuses and has to be enabled by the user. The mode used in Standby sleep mode and Power-Down sleep mode can be altered in normal program execution. The VLM is controlled by I/O registers as well.

When activated, the BOD can operate in Enabled mode, where the BOD is continuously active, or in Sampled mode, where the BOD is activated briefly at a given period to check the supply voltage level.

## 17.2.1 Block Diagram

Figure 17-1. BOD Block Diagram



## 17.3 Functional Description

### 17.3.1 Initialization

The BOD settings are loaded from fuses during Reset. The BOD level and operating mode in Active and Idle sleep mode are set by fuses and cannot be changed by software. The operating mode in Standby and Power-Down sleep mode is loaded from fuses and can be changed by software.

The Voltage Level Monitor function can be enabled by writing a '1' to the VLM Interrupt Enable (VLMIE) bit in the Interrupt Control (BOD.INTCTRL) register. The VLM interrupt is configured by writing the VLM Configuration (VLMCFG) bits in BOD.INTCTRL. An interrupt is requested when the supply voltage crosses the VLM threshold either from above, below, or any direction.

The VLM functionality will follow the BOD mode. If the BOD is disabled, the VLM will not be enabled, even if the VLMIE is '1'. If the BOD is using Sampled mode, the VLM will also be sampled. When the VLM interrupt is enabled, the interrupt flag will be set according to VLMCFG when the voltage level is crossing the VLM level.

The VLM threshold is defined by writing the VLM Level (VLMLVL) bits in the Control A (BOD.VLMCTRLA) register.

### 17.3.2 Interrupts

Table 17-1. Available Interrupt Vectors and Sources

| Name | Vector Description    | Conditions  |
|------|-----------------------|---|
| VLM  | Voltage Level Monitor | Supply voltage crossing the VLM threshold as configured by the VLM Configuration (VLMCFG) bit field in the Interrupt Control (BOD.INTCTRL) register |

The VLM interrupt will not be executed if the CPU is halted in Debug mode.

When an interrupt condition occurs, the corresponding interrupt flag is set in the peripheral's Interrupt Flags (*peripheral*.INTFLAGS) register.

An interrupt source is enabled or disabled by writing to the corresponding enable bit in the peripheral's Interrupt Control (*peripheral*.INTCTRL) register.

An interrupt request is generated when the corresponding interrupt source is enabled, and the interrupt flag is set. The interrupt request remains active until the interrupt flag is cleared. See the peripheral's INTFLAGS register for details on how to clear interrupt flags.

### 17.3.3 Sleep Mode Operation

The BOD configuration in the different sleep modes is defined by fuses. The mode used in Active mode and Idle sleep mode is defined by the ACTIVE fuses in FUSE.BODCFG, which is loaded into the ACTIVE bit field in the Control A (BOD.CTRLA) register. The mode used in Standby sleep mode and Power-Down sleep mode is defined by SLEEP in FUSE.BODCFG, which is loaded into the SLEEP bit field in the Control A (BOD.CTRLA) register.

The operating mode in Active mode and Idle sleep mode (i.e., ACTIVE in BOD.CTRLA) cannot be altered by software. The operating mode in Standby sleep mode and Power-Down sleep mode can be altered by writing to the SLEEP bit field in the Control A (BOD.CTRLA) register.

When the device is going into Standby or Power-Down sleep mode, the BOD will change the operation mode as defined by SLEEP in BOD.CTRLA. When the device is waking up from Standby or Power-Down sleep mode, the BOD will operate in the mode defined by the ACTIVE bit field in the Control A (BOD.CTRLA) register.

### 17.3.4 Configuration Change Protection

This peripheral has registers that are under Configuration Change Protection (CCP). To write to these registers, a certain key must first be written to the CPU.CCP register, followed by a write access to the protected bits within four CPU instructions.

Attempting to write to a protected register without following the appropriate CCP unlock sequence leaves the protected register unchanged.

The following registers are under CCP:

**Table 17-2. Registers Under Configuration Change Protection**

| Register           | Key   |
|--------------------|-------|
| SLEEP in BOD.CTRLA | IOREG |

## 17.4 Register Summary

| Offset | Name                     | Bit Pos.                 | 7   | 6 | 5 | 4        | 3 | 2           | 1          | 0           |
|--------|--------------------------|--------------------------|-----|---|---|----------|---|-------------|------------|-------------|
| 0x00   | <a href="#">CTRLA</a>    | 7:0                      |     |   |   | SAMPFREQ |   | ACTIVE[1:0] | SLEEP[1:0] |             |
| 0x01   | <a href="#">CTRLB</a>    | 7:0                      |     |   |   |          |   |             | LVL[2:0]   |             |
| 0x02   | Reserved                 |                          |     |   |   |          |   |             |            |             |
| ...    |                          |                          |     |   |   |          |   |             |            |             |
| 0x07   |                          |                          |     |   |   |          |   |             |            |             |
| 0x08   |                          | <a href="#">VLMCTRLA</a> | 7:0 |   |   |          |   |             |            | VLMLVL[1:0] |
| 0x09   | <a href="#">INTCTRL</a>  | 7:0                      |     |   |   |          |   | VLMCFG[1:0] |            | VLMIE       |
| 0x0A   | <a href="#">INTFLAGS</a> | 7:0                      |     |   |   |          |   |             |            | VLMIIF      |
| 0x0B   | <a href="#">STATUS</a>   | 7:0                      |     |   |   |          |   |             |            | VLMS        |

## 17.5 Register Description

### 17.5.1 Control A

**Name:** CTRLA  
**Offset:** 0x00  
**Reset:** Loaded from fuse  
**Property:** Configuration Change Protection

|        |   |   |   |          |             |   |            |     |
|--------|---|---|---|----------|-------------|---|------------|-----|
|        | 7 | 6 | 5 | 4        | 3           | 2 | 1          | 0   |
|        |   |   |   | SAMPFREQ | ACTIVE[1:0] |   | SLEEP[1:0] |     |
| Access |   |   |   | R        | R           | R | R/W        | R/W |
| Reset  |   |   |   | x        | x           | x | x          | x   |

#### Bit 4 – SAMPFREQ Sample Frequency

This bit controls the BOD sample frequency.  
 The Reset value is loaded from the SAMPFREQ bit in FUSE.BODCFG.  
 This bit is not under Configuration Change Protection (CCP).

| Value | Description                |
|-------|----------------------------|
| 0x0   | Sample frequency is 1 kHz  |
| 0x1   | Sample frequency is 125 Hz |

#### Bits 3:2 – ACTIVE[1:0] Active

These bits select the BOD operation mode when the device is in Active or Idle mode.  
 The Reset value is loaded from the ACTIVE bit field in FUSE.BODCFG.  
 This bit field is not under Configuration Change Protection (CCP).

| Value | Name    | Description   |
|-------|---------|---|
| 0x0   | DIS     | Disabled  |
| 0x1   | ENABLED | Enabled in continuous mode  |
| 0x2   | SAMPLED | Enabled in sampled mode   |
| 0x3   | ENWAKE  | Enabled in continuous mode. Execution is halted at wake-up until BOD is running |

#### Bits 1:0 – SLEEP[1:0] Sleep

These bits select the BOD operation mode when the device is in Standby or Power-Down sleep mode. The Reset value is loaded from the SLEEP bit field in FUSE.BODCFG.

| Value | Name    | Description                |
|-------|---------|----------------------------|
| 0x0   | DIS     | Disabled                   |
| 0x1   | ENABLED | Enabled in continuous mode |
| 0x2   | SAMPLED | Enabled in sampled mode    |
| 0x3   | -       | Reserved                   |

### 17.5.2 Control B

**Name:** CTRLB  
**Offset:** 0x01  
**Reset:** Loaded from fuse  
**Property:** -

|        |          |   |   |   |   |   |   |   |  |
|--------|----------|---|---|---|---|---|---|---|--|
|        | 7        | 6 | 5 | 4 | 3 | 2 | 1 | 0 |  |
|        | LVL[2:0] |   |   |   |   |   |   |   |  |
| Access | R        | R | R | R | R | R | R | R |  |
| Reset  | 0        | 0 | 0 | 0 | 0 | x | x | x |  |

#### Bits 2:0 – LVL[2:0] BOD Level

This bit field controls the BOD threshold level.

The Reset value is loaded from the BOD Level (LVL) bits in the BOD Configuration Fuse (FUSE.BODCFG).

| Value | Name      | Description |
|-------|-----------|-------------|
| 0x2   | BODLEVEL2 | 2.6V        |
| 0x7   | BODLEVEL7 | 4.2V        |

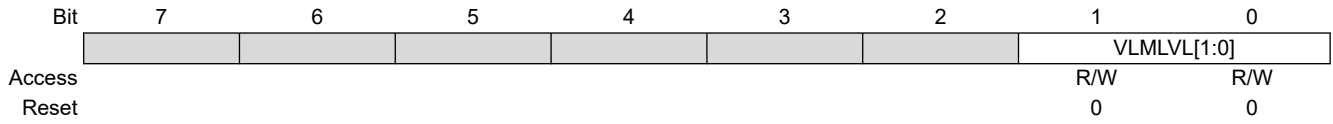
#### Notes:

- Refer to the *BOD and POR Characteristics* in *Electrical Characteristics* for further details
- Values in the description are typical values



**17.5.3 VLM Control A**

**Name:** VLMCTRLA  
**Offset:** 0x08  
**Reset:** 0x00  
**Property:** -



**Bits 1:0 – VLMVL[1:0] VLM Level**

These bits select the VLM threshold relative to the BOD threshold (LVL in BOD.CTRLB).

| Value | Description                           |
|-------|---------------------------------------|
| 0x0   | VLM threshold 5% above BOD threshold  |
| 0x1   | VLM threshold 15% above BOD threshold |
| 0x2   | VLM threshold 25% above BOD threshold |
| other | Reserved                              |

### 17.5.4 Interrupt Control

**Name:** INTCTRL  
**Offset:** 0x09  
**Reset:** 0x00  
**Property:** -

|        |   |   |   |   |   |             |     |       |
|--------|---|---|---|---|---|-------------|-----|-------|
| Bit    | 7 | 6 | 5 | 4 | 3 | 2           | 1   | 0     |
|        |   |   |   |   |   | VLMCFG[1:0] |     | VLMIE |
| Access |   |   |   |   |   | R/W         | R/W | R/W   |
| Reset  |   |   |   |   |   | 0           | 0   | 0     |

#### Bits 2:1 – VLMCFG[1:0] VLM Configuration

These bits select which incidents will trigger a VLM interrupt.

| Value | Name  | Description                               |
|-------|-------|---|
| 0x0   | BELOW | V <sub>DD</sub> falls below VLM threshold |
| 0x1   | ABOVE | V <sub>DD</sub> rises above VLM threshold |
| 0x2   | CROSS | V <sub>DD</sub> crosses VLM threshold     |
| Other | -     | Reserved                                  |

#### Bit 0 – VLMIE VLM Interrupt Enable

Writing a '1' to this bit enables the VLM interrupt.

17.5.5 VLM Interrupt Flags

**Name:** INTFLAGS  
**Offset:** 0x0A  
**Reset:** 0x00  
**Property:** -

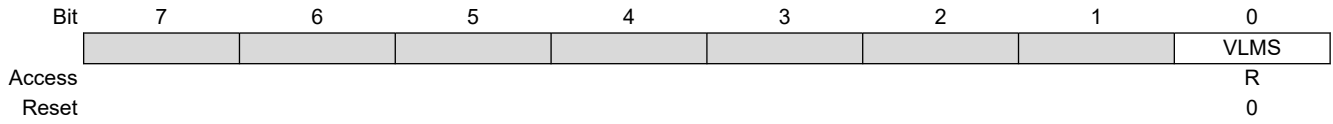
| Bit    | 7 | 6 | 5 | 4 | 3 | 2 | 1 | 0     |
|--------|---|---|---|---|---|---|---|-------|
| Access |   |   |   |   |   |   |   | VLMIF |
| Reset  |   |   |   |   |   |   |   | 0     |

**Bit 0 – VLMIF** VLM Interrupt Flag

This flag is set when a trigger from the VLM is given, as configured by the VLMCFG bit in the BOD.INTCTRL register. The flag is only updated when the BOD is enabled.

**17.5.6 VLM Status**

**Name:** STATUS  
**Offset:** 0x0B  
**Reset:** 0x00  
**Property:** -



**Bit 0 – VLMS** VLM Status

This bit is only valid when the BOD is enabled.

| Value | Description                                  |
|-------|--|
| 0     | The voltage is above the VLM threshold level |
| 1     | The voltage is below the VLM threshold level |

## 18. VREF - Voltage Reference

### 18.1 Features

- Programmable Voltage Reference Sources:
  - For ADC0 peripheral
  - For AC0 peripheral
- Each Reference Source Supports Different Voltages:
  - 0.55V
  - 1.1V
  - 1.5V
  - 2.5V
  - 4.3V
  - AVDD

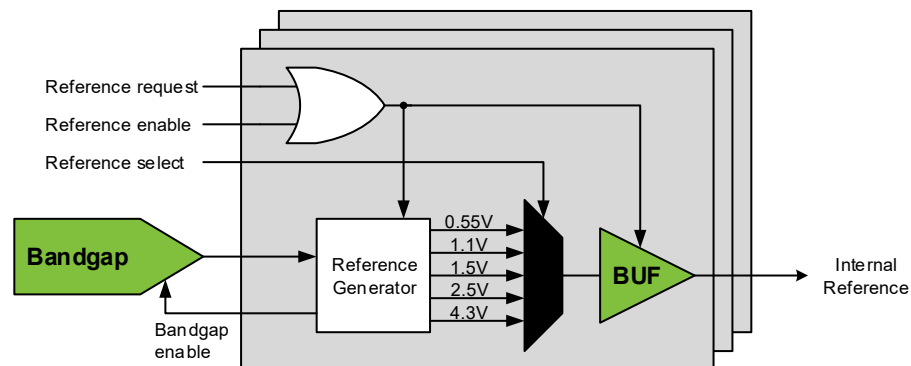
### 18.2 Overview

The Voltage Reference buffer (VREF) provides control registers for selecting between multiple internal reference levels. The internal references are generated from the internal bandgap.

When a peripheral that requires a voltage reference is enabled the corresponding voltage reference buffer and bandgap is automatically enabled.

#### 18.2.1 Block Diagram

Figure 18-1. VREF Block Diagram



### 18.3 Functional Description

#### 18.3.1 Initialization

The output level from the reference buffer should be selected (ADC0REFSEL and AC0REFSEL in VREF.CTRLA) before the respective modules are enabled. The reference buffer is then automatically enabled when requested by a peripheral. Changing the reference while these modules are enabled could lead to unpredictable behavior.

The VREF module and reference voltage sources can be forced to be ON, independent of being required by a peripheral, by writing to the respective Force Enable bits (ADC0REFEN, AC0REFEN) in the Control B (VREF.CTRLB) register. This can be used to remove the reference start-up time, at the cost of increased power consumption.

## 18.4 Register Summary - VREF

| Offset | Name                  | Bit Pos. | 7 | 6               | 5 | 4 | 3 | 2              | 1         | 0        |
|--------|-----------------------|----------|---|-----------------|---|---|---|----------------|-----------|----------|
| 0x00   | <a href="#">CTRLA</a> | 7:0      |   | ADC0REFSEL[2:0] |   |   |   | AC0REFSEL[2:0] |           |          |
| 0x01   | <a href="#">CTRLB</a> | 7:0      |   |                 |   |   |   |                | ADC0REFEN | AC0REFEN |

## 18.5 Register Description

### 18.5.1 Control A

**Name:** CTRLA  
**Offset:** 0x00  
**Reset:** 0x00  
**Property:** -

|        |                 |     |     |                |   |     |     |     |
|--------|-----------------|-----|-----|----------------|---|-----|-----|-----|
|        | 7               | 6   | 5   | 4              | 3 | 2   | 1   | 0   |
|        | ADC0REFSEL[2:0] |     |     | AC0REFSEL[2:0] |   |     |     |     |
| Access |                 | R/W | R/W | R/W            |   | R/W | R/W | R/W |
| Reset  |                 | 0   | 0   | 0              |   | 0   | 0   | 0   |

#### Bits 6:4 – ADC0REFSEL[2:0] ADC0 Reference Select

These bits select the reference voltage for ADC0.

| Value | Name | Description              |
|-------|------|--------------------------|
| 0x0   | 0V55 | 0.55V internal reference |
| 0x1   | 1V1  | 1.1V internal reference  |
| 0x2   | 2V5  | 2.5V internal reference  |
| 0x3   | 4V3  | 4.3V internal reference  |
| 0x4   | 1V5  | 1.5V internal reference  |
| Other | -    | Reserved                 |

**Note:** Refer to *VREF* in the *Electrical Characteristics* section for further details.

#### Bits 2:0 – AC0REFSEL[2:0] AC0 Reference Select

These bits select the reference voltage for AC0.

| Value | Name | Description              |
|-------|------|--------------------------|
| 0x0   | 0V55 | 0.55V internal reference |
| 0x1   | 1V1  | 1.1V internal reference  |
| 0x2   | 2V5  | 2.5V internal reference  |
| 0x3   | 4V3  | 4.3V internal reference  |
| 0x4   | 1V5  | 1.5V internal reference  |
| 0x5   | -    | Reserved                 |
| 0x6   | -    | Reserved                 |
| 0x7   | AVDD | AVDD                     |

**Note:** Refer to *VREF* in the *Electrical Characteristics* section for further details.

### 18.5.2 Control B

**Name:** CTRLB  
**Offset:** 0x01  
**Reset:** 0x00  
**Property:** -

|        |     |   |   |   |   |   |   |           |          |
|--------|-----|---|---|---|---|---|---|-----------|----------|
|        | Bit | 7 | 6 | 5 | 4 | 3 | 2 | 1         | 0        |
|        |     |   |   |   |   |   |   | ADC0REFEN | AC0REFEN |
| Access |     |   |   |   |   |   |   | R/W       | R/W      |
| Reset  |     |   |   |   |   |   |   | 0         | 0        |

**Bit 1 – ADC0REFEN** ADC0 Reference Force Enable

Writing a '1' to this bit forces the voltage reference for ADC0 to be enabled, even if it is not requested.

Writing a '0' to this bit allows to automatic enable/disable the reference source when not requested.

**Bit 0 – AC0REFEN** AC0 DACREF Reference Force Enable

Writing a '1' to this bit forces the voltage reference for AC0 DACREF to be enabled, even if it is not requested.

Writing a '0' to this bit allows to automatic enable/disable the reference source when not requested.



## **19. WDT - Watchdog Timer**

### **19.1 Features**

- Issues a System Reset if the Watchdog Timer is not Cleared Before its Time-out Period
- Operating Asynchronously from System Clock Using an Independent Oscillator
- Using the 1.024 kHz Output of the 32.768 kHz Ultra Low-Power Oscillator (OSCULP32K)
- 11 Selectable Time-out Periods, from 8 ms to 8s
- Two Operation Modes:
  - Normal mode
  - Window mode
- Configuration Lock to Prevent Unwanted Changes
- Closed Period Timer Activation After First WDT Instruction for Easy Setup

### **19.2 Overview**

The Watchdog Timer (WDT) is a system function for monitoring correct program operation. It allows the system to recover from situations such as runaway or deadlocked code by issuing a Reset. When enabled, the WDT is a constantly running timer configured to a predefined time-out period. If the WDT is not reset within the time-out period, it will issue a system Reset. The WDT is reset by executing the Watchdog Timer Reset (*WDR*) instruction from software.

The WDT has two modes of operation: Normal mode and Window mode. The settings in the Control A (WDT.CTRLA) register determine the mode of operation.

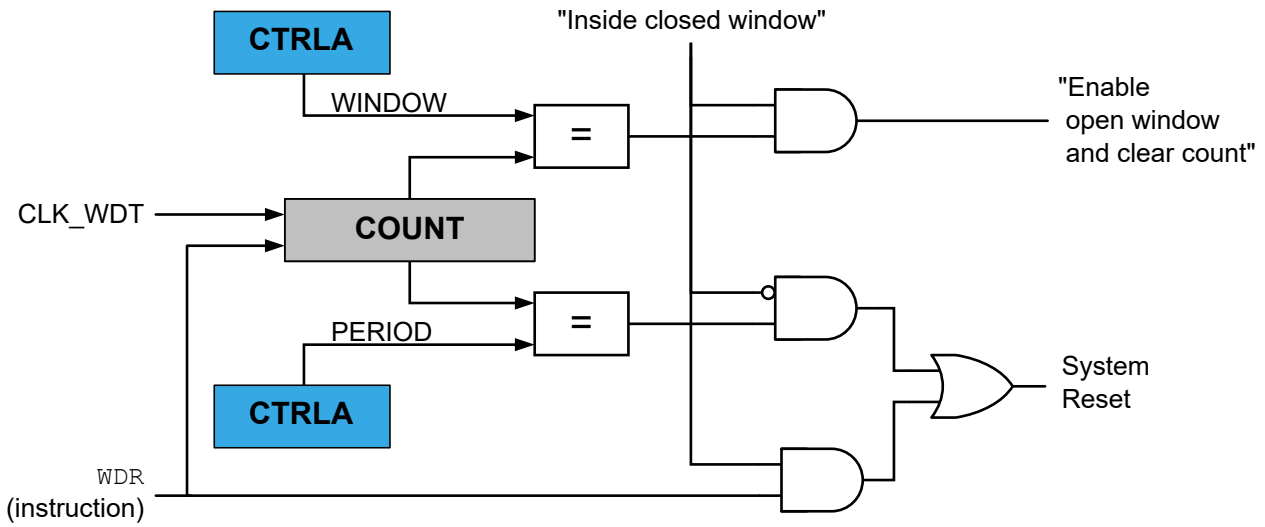
A Window mode defines a time slot or "window" inside the time-out period during which the WDT must be reset. If the WDT is reset outside this window, either too early or too late, a system Reset will be issued. Compared to the Normal mode, the Window mode can catch situations where a code error causes constant *WDR* execution.

When enabled, the WDT will run in Active mode and all sleep modes. It is asynchronous (i.e., running from a CPU independent clock source). For this reason, it will continue to operate and be able to issue a system Reset even if the main clock fails.

The CCP mechanism ensures that the WDT settings cannot be changed by accident. For increased safety, a configuration for locking the WDT settings is available.

### 19.2.1 Block Diagram

Figure 19-1. WDT Block Diagram



### 19.2.2 Signal Description

Not applicable.

## 19.3 Functional Description

### 19.3.1 Initialization

- The WDT is enabled when a non-zero value is written to the Period (PERIOD) bits in the Control A (WDT.CTRLA) register
- Optional: Write a non-zero value to the Window (WINDOW) bits in WDT.CTRLA to enable the Window mode operation.

All bits in the Control A register and the Lock (LOCK) bit in the STATUS (WDT.STATUS) register are write-protected by the Configuration Change Protection mechanism.

The Reset value of WDT.CTRLA is defined by a fuse (FUSE.WDTCFG), so the WDT can be enabled at boot time. If this is the case, the LOCK bit in WDT.STATUS is set at boot time.

### 19.3.2 Clocks

A 1.024 kHz Oscillator Clock (CLK\_WDT\_OSC) is sourced from the internal Ultra Low-Power Oscillator, OSCULP32K. Due to the ultra low-power design, the oscillator is not very accurate, and so the exact time-out period may vary from device to device. This variation must be kept in mind when designing software that uses the WDT to ensure that the time-out periods used are valid for all devices.

The 1.024 kHz Oscillator Clock, CLK\_WDT\_OSC, is asynchronous to the system clock. Due to this asynchronicity, writing to the WDT Control register will require synchronization between the clock domains.

### 19.3.3 Operation

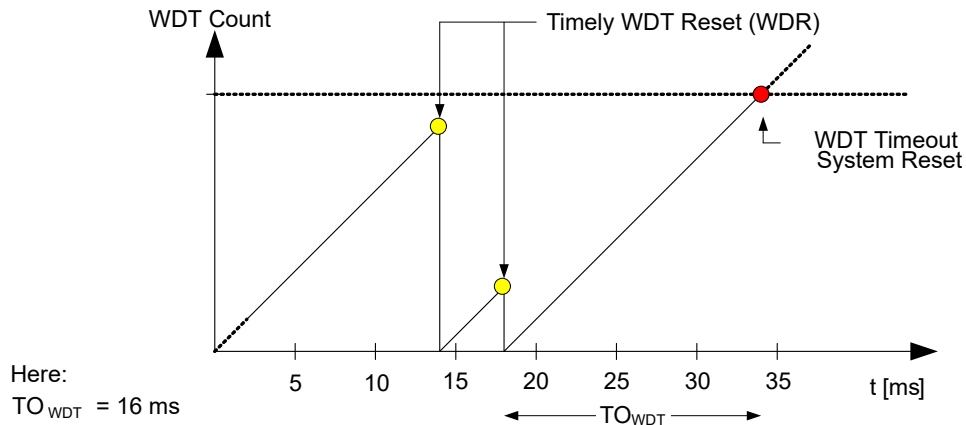
#### 19.3.3.1 Normal Mode

In Normal mode operation, a single time-out period is set for the WDT. If the WDT is not reset from software using the WDR any time before the time-out occurs, the WDT will issue a system Reset.

A new WDT time-out period will be started each time the WDT is reset by WDR.

There are 11 possible WDT time-out periods ( $TO_{WDT}$ ), selectable from 8 ms to 8s by writing to the Period (PERIOD) bit field in the Control A (WDT.CTRLA) register.

Figure 19-2. Normal Mode Operation



Normal mode is enabled as long as the WINDOW bit field in the Control A (WDT.CTRLA) register is  $0 \times 0$ .

### 19.3.3.2 Window Mode

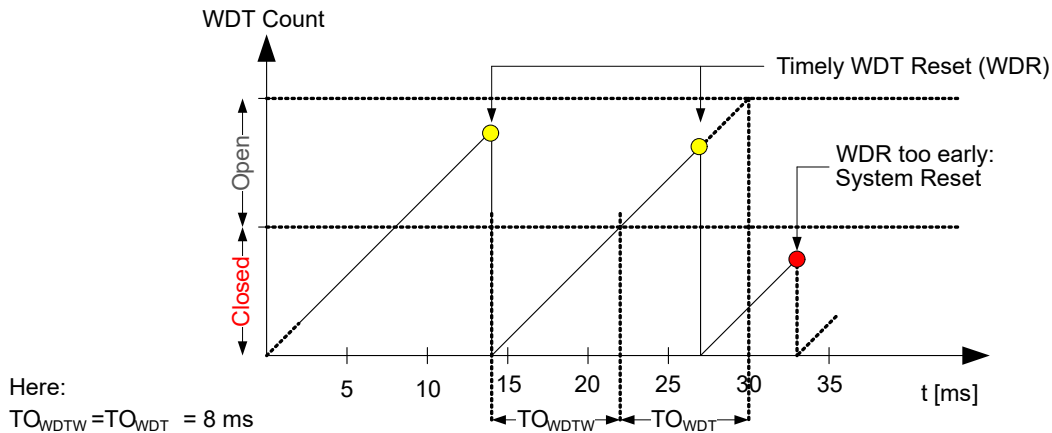
In Window mode operation, the WDT uses two different time-out periods: A closed Window Time-out period ( $TO_{WDTW}$ ) and the normal time-out period ( $TO_{WDT}$ ):

- The closed window time-out period defines a duration from 8 ms to 8s, where the WDT cannot be reset. If the WDT is reset during this period, the WDT will issue a system Reset.
- The normal WDT time-out period, which is also 8 ms to 8s, defines the duration of the open period during which the WDT can (and needs to) be reset. The open period will always follow the closed period, so the total duration of the time-out period is the sum of the closed window and the open window time-out periods.

When enabling Window mode or when going out of Debug mode, the first closed period is activated after the first WDR instruction.

If a second WDR is issued while a previous WDR is being synchronized, the second one will be ignored.

Figure 19-3. Window Mode Operation



The Window mode is enabled by writing a non-zero value to the WINDOW bit field in the Control A (WDT.CTRLA) register, and disabled by writing it to  $0 \times 0$ .

### 19.3.3.3 Configuration Protection and Lock

The WDT provides two security mechanisms to avoid unintentional changes to the WDT settings.

The first mechanism is the Configuration Change Protection mechanism, employing a timed-write procedure for changing the WDT control registers.

The second mechanism locks the configuration by writing a '1' to the LOCK bit in the STATUS (WDT.STATUS) register. When this bit is '1', the Control A (WDT.CTRLA) register cannot be changed. Consequently, the WDT cannot be disabled from the software.

LOCK in WDT.STATUS can only be written to '1'. It can only be cleared in Debug mode.

If the WDT configuration is loaded from fuses, LOCK is automatically set in WDT.STATUS.

### 19.3.4 Sleep Mode Operation

The WDT will continue to operate in any sleep mode where the source clock is Active.

### 19.3.5 Debug Operation

When run-time debugging, this peripheral will continue normal operation. Halting the CPU in Debugging mode will halt the normal operation of the peripheral.

When halting the CPU in Debug mode, the WDT counter is reset.

When starting the CPU again and the WDT is operating in Window mode, the first closed window time-out period will be disabled, and a Normal mode time-out period is executed.

### 19.3.6 Synchronization

Due to asynchronicity between the main clock domain and the peripheral clock domain, the Control A (WDT.CTRLA) register is synchronized when written. The Synchronization Busy (SYNCBUSY) flag in the STATUS (WDT.STATUS) register indicates if there is an ongoing synchronization.

Writing to WDT.CTRLA while SYNCBUSY=1 is not allowed.

The following registers are synchronized when written:

- PERIOD bits in Control A (WDT.CTRLA) register
- Window Period (WINDOW) bits in WDT.CTRLA

The `WDR` instruction will need two to three cycles of the WDT clock to be synchronized. Issuing a new `WDR` instruction while a `WDR` instruction is being synchronized will be ignored.

### 19.3.7 Configuration Change Protection

This peripheral has registers that are under Configuration Change Protection (CCP). To write to these registers, a certain key must first be written to the CPU.CCP register, followed by a write access to the protected bits within four CPU instructions.

Attempting to write to a protected register without following the appropriate CCP unlock sequence leaves the protected register unchanged.

The following registers are under CCP:

**Table 19-1. WDT - Registers Under Configuration Change Protection**

| Register               | Key   |
|------------------------|-------|
| WDT.CTRLA              | IOREG |
| LOCK bit in WDT.STATUS | IOREG |

List of bits/registers protected by CCP:

- Period bits in Control A (CTRLA.PERIOD) register
- Window Period bits in Control A (CTRLA.WINDOW) register
- LOCK bit in STATUS (STATUS.LOCK) register

## 19.4 Register Summary - WDT

| Offset | Name                   | Bit Pos. | 7           | 6 | 5 | 4 | 3           | 2 | 1 | 0        |
|--------|------------------------|----------|-------------|---|---|---|-------------|---|---|----------|
| 0x00   | <a href="#">CTRLA</a>  | 7:0      | WINDOW[3:0] |   |   |   | PERIOD[3:0] |   |   |          |
| 0x01   | <a href="#">STATUS</a> | 7:0      | LOCK        |   |   |   |             |   |   | SYNCBUSY |

## 19.5 Register Description

### 19.5.1 Control A

**Name:** CTRLA  
**Offset:** 0x00  
**Reset:** From FUSE.WDTCFG  
**Property:** Configuration Change Protection

|        |             |     |     |     |             |     |     |     |
|--------|-------------|-----|-----|-----|-------------|-----|-----|-----|
| Bit    | 7           | 6   | 5   | 4   | 3           | 2   | 1   | 0   |
|        | WINDOW[3:0] |     |     |     | PERIOD[3:0] |     |     |     |
| Access | R/W         | R/W | R/W | R/W | R/W         | R/W | R/W | R/W |
| Reset  | x           | x   | x   | x   | x           | x   | x   | x   |

#### Bits 7:4 – WINDOW[3:0] Window

Writing a non-zero value to these bits enables the Window mode, and selects the duration of the closed period accordingly.

The bits are optionally lock-protected:

- If LOCK bit in WDT.STATUS is '1', all bits are change-protected (Access = R)
- If LOCK bit in WDT.STATUS is '0', all bits can be changed (Access = R/W)

| Value | Name   | Description |
|-------|--------|-------------|
| 0x0   | OFF    | -           |
| 0x1   | 8CLK   | 0.008s      |
| 0x2   | 16CLK  | 0.016s      |
| 0x3   | 32CLK  | 0.031s      |
| 0x4   | 64CLK  | 0.063s      |
| 0x5   | 128CLK | 0.125s      |
| 0x6   | 256CLK | 0.25s       |
| 0x7   | 512CLK | 0.5s        |
| 0x8   | 1KCLK  | 1s          |
| 0x9   | 2KCLK  | 2s          |
| 0xA   | 4KCLK  | 4s          |
| 0xB   | 8KCLK  | 8s          |
| other | -      | Reserved    |

#### Bits 3:0 – PERIOD[3:0] Period

Writing a non-zero value to this bit enables the WDT, and selects the time-out period in Normal mode accordingly. In Window mode, these bits select the duration of the open window.

The bits are optionally lock-protected:

- If LOCK in WDT.STATUS is '1', all bits are change-protected (Access = R)
- If LOCK in WDT.STATUS is '0', all bits can be changed (Access = R/W)

| Value | Name   | Description |
|-------|--------|-------------|
| 0x0   | OFF    | -           |
| 0x1   | 8CLK   | 0.008s      |
| 0x2   | 16CLK  | 0.016s      |
| 0x3   | 32CLK  | 0.031s      |
| 0x4   | 64CLK  | 0.063s      |
| 0x5   | 128CLK | 0.125s      |
| 0x6   | 256CLK | 0.25s       |
| 0x7   | 512CLK | 0.5s        |
| 0x8   | 1KCLK  | 1s          |
| 0x9   | 2KCLK  | 2s          |
| 0xA   | 4KCLK  | 4s          |
| 0xB   | 8KCLK  | 8s          |
| other | -      | Reserved    |

**19.5.2 Status**

**Name:** STATUS  
**Offset:** 0x01  
**Reset:** 0x00  
**Property:** Configuration Change Protection

|        |      |   |   |   |   |   |   |          |
|--------|------|---|---|---|---|---|---|----------|
|        | 7    | 6 | 5 | 4 | 3 | 2 | 1 | 0        |
|        | LOCK |   |   |   |   |   |   | SYNCBUSY |
| Access | R/W  |   |   |   |   |   |   | R        |
| Reset  | 0    |   |   |   |   |   |   | 0        |

**Bit 7 – LOCK** Lock

Writing this bit to '1' write-protects the WDT.CTRLA register.

It is only possible to write this bit to '1'. This bit can be cleared in Debug mode only.

If the PERIOD bits in WDT.CTRLA are different from zero after boot code, the lock will be automatically set.

This bit is under CCP.

**Bit 0 – SYNCBUSY** Synchronization Busy

This bit is set after writing to the WDT.CTRLA register, while the data is being synchronized from the system clock domain to the WDT clock domain.

This bit is cleared by the system after the synchronization is finished.

This bit is not under CCP.

## 20. TCA - 16-bit Timer/Counter Type A

### 20.1 Features

- 16-Bit Timer/Counter
- Three Compare Channels
- Double-Buffered Timer Period Setting
- Double-Buffered Compare Channels
- Waveform Generation:
  - Frequency generation
  - Single-slope PWM (Pulse-Width Modulation)
  - Dual-slope PWM
- Count on Event
- Timer Overflow Interrupts/Events
- One Compare Match per Compare Channel
- Two 8-Bit Timer/Counters in Split Mode

### 20.2 Overview

The flexible 16-bit PWM Timer/Counter type A (TCA) provides accurate program execution timing, frequency and waveform generation, and command execution.

A TCA consists of a base counter and a set of compare channels. The base counter can be used to count clock cycles or events or let events control how it counts clock cycles. It has direction control and period setting that can be used for timing. The compare channels can be used together with the base counter to perform a compare match control, frequency generation, and pulse-width waveform modulation.

Depending on the mode of operation, the counter is cleared, reloaded, incremented, or decremented at each timer/counter clock or event input.

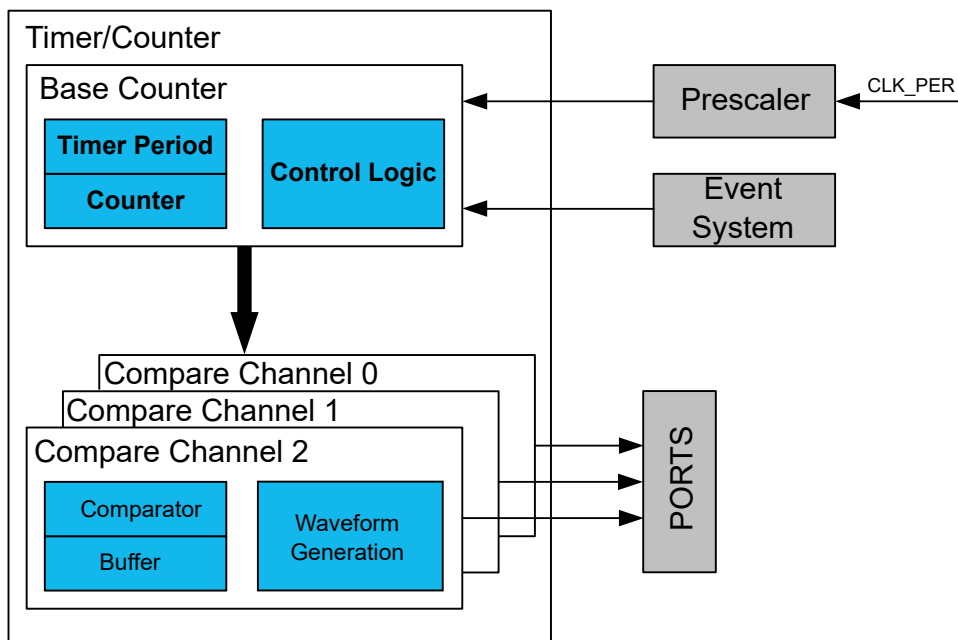
A timer/counter can be clocked and timed from the peripheral clock, with optional prescaling, or from the Event System. The Event System can also be used for direction control or to synchronize operations.

By default, the TCA is a 16-bit timer/counter. The timer/counter has a Split mode feature that splits it into two 8-bit timer/counters with three compare channels each.

A block diagram of the 16-bit timer/counter with closely related peripheral modules (in grey) is shown in the figure below.



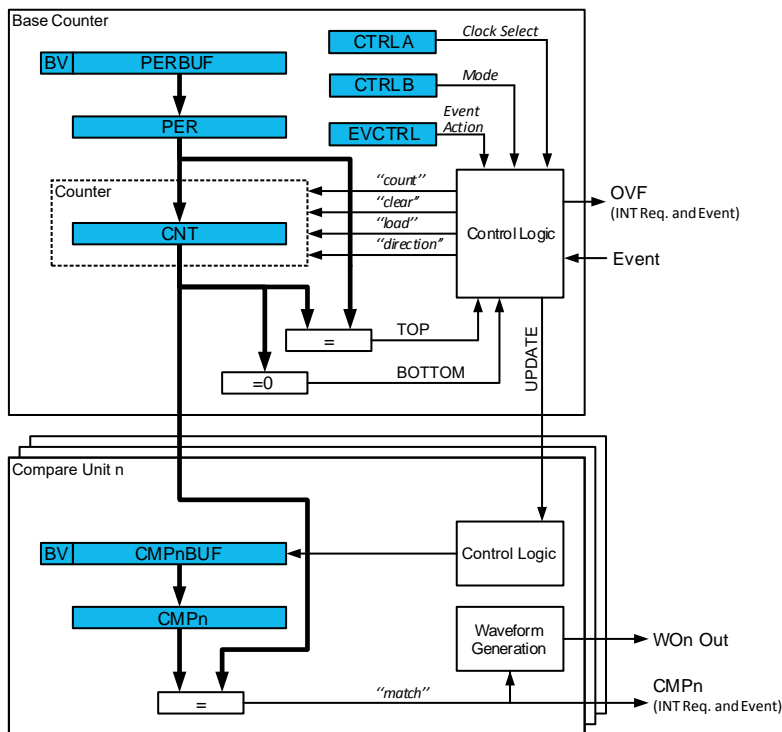
Figure 20-1. 16-bit Timer/Counter and Closely Related Peripherals



### 20.2.1 Block Diagram

The figure below shows a detailed block diagram of the timer/counter.

Figure 20-2. Timer/Counter Block Diagram



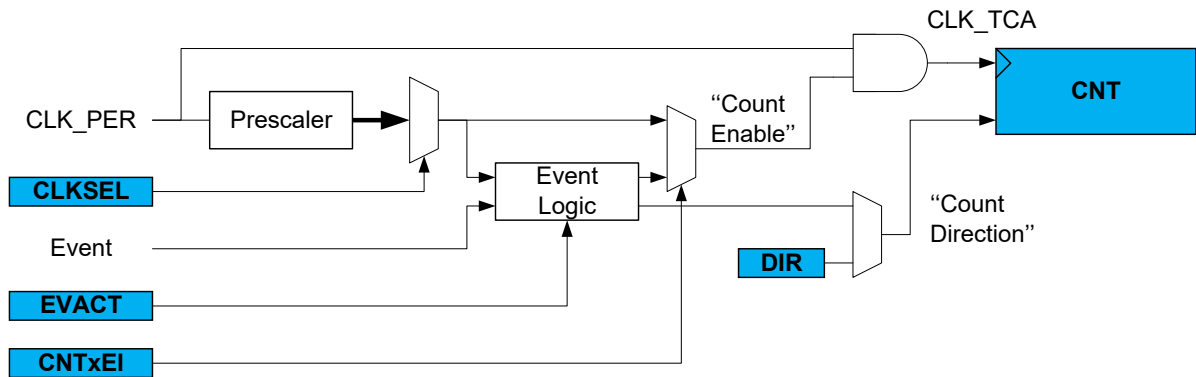
The Counter (TCA<sub>n</sub>.CNT) register, Period and Compare (TCA<sub>n</sub>.PER and TCA<sub>n</sub>.CMP<sub>n</sub>) registers, and their corresponding buffer registers (TCA<sub>n</sub>.PERBUF and TCA<sub>n</sub>.CMP<sub>n</sub>BUF) are 16-bit registers. All buffer registers have a Buffer Valid (BV) flag that indicates when the buffer contains a new value.

During normal operation, the counter value is continuously compared to zero and the period (PER) value to determine whether the counter has reached TOP or BOTTOM. The counter value can also be compared to the TCA<sub>n</sub>.CMP<sub>n</sub> registers.

The timer/counter can generate interrupt requests, events, or change the waveform output after being triggered by the Counter (TCA<sub>n</sub>.CNT) register reaching TOP, BOTTOM, or CMP<sub>n</sub>. The interrupt requests, events, or waveform output changes will occur on the next CLK\_TCA cycle after the triggering.

CLK\_TCA is either the prescaled peripheral clock or events from the Event System, as shown in the figure below.

**Figure 20-3. Timer/Counter Clock Logic**



### 20.2.2 Signal Description

| Signal | Description    | Type            |
|--------|----------------|-----------------|
| WOn    | Digital output | Waveform output |

## 20.3 Functional Description

### 20.3.1 Definitions

The following definitions are used throughout the documentation:

**Table 20-1. Timer/Counter Definitions**

| Name   | Description   |
|--------|---|
| BOTTOM | The counter reaches BOTTOM when it becomes 0x0000   |
| MAX    | The counter reaches MAXimum when it becomes all ones  |
| TOP    | The counter reaches TOP when it becomes equal to the highest value in the count sequence  |
| UPDATE | The update condition is met when the timer/counter reaches BOTTOM or TOP, depending on the Waveform Generator mode. Buffered registers with valid buffer values will be updated unless the Lock Update (LUPD) bit in the TCA <sub>n</sub> .CTRLC register has been set. |
| CNT    | Counter register value  |
| CMP    | Compare register value  |
| PER    | Period register value   |

In general, the term timer is used when the timer/counter is counting periodic clock ticks. The term counter is used when the input signal has sporadic or irregular ticks. The latter can be the case when counting events.

### 20.3.2 Initialization

To start using the timer/counter in basic mode, follow these steps:

1. Write a TOP value to the Period (TCAn.PER) register.
2. Enable the peripheral by writing a '1' to the ENABLE bit in the Control A (TCAn.CTRLA) register. The counter will start counting clock ticks according to the prescaler setting in the Clock Select (CLKSEL) bit field in the TCAn.CTRLA register.
3. Optional: By writing a '1' to the Enable Count on Event Input (CNTEI) bit in the Event Control (TCAn.EVCTRL) register, events are counted instead of clock ticks.
4. The counter value can be read from the Counter (CNT) bit field in the Counter (TCAn.CNT) register.

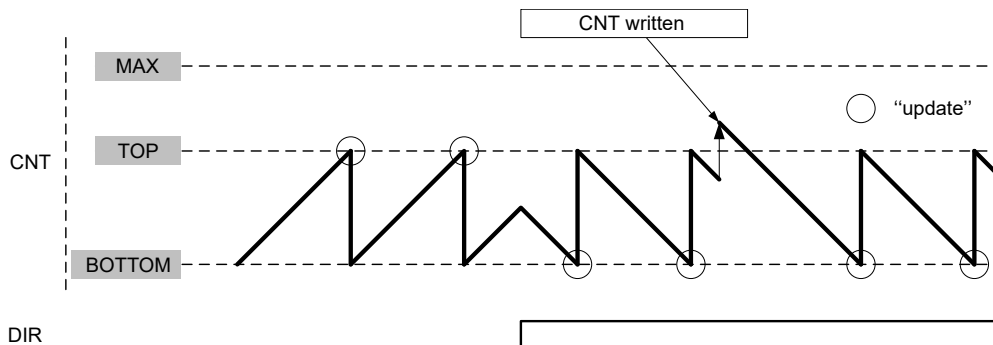
### 20.3.3 Operation

#### 20.3.3.1 Normal Operation

In normal operation the counter is counting clock ticks in the direction selected by the Direction (DIR) bit in the Control E (TCAn.CTRLE) register until it reaches TOP or BOTTOM. The clock ticks are given by the peripheral clock (CLK\_PER), prescaled according to the Clock Select (CLKSEL) bit field in the Control A (TCAn.CTRLA) register.

When TOP is reached while the counter is counting up, the counter will wrap to '0' at the next clock tick. When counting down, the counter is reloaded with the Period (TCAn.PER) register value when the BOTTOM is reached.

**Figure 20-4. Normal Operation**



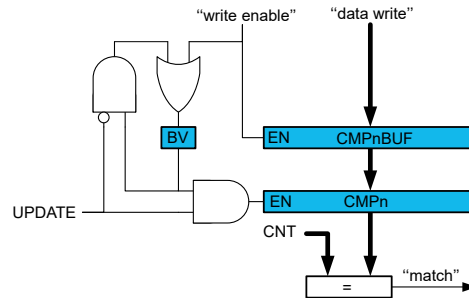
It is possible to change the counter value in the Counter (TCAn.CNT) register when the counter is running. The write access to TCAn.CNT register has higher priority than count, clear or reload, and will be immediate. The direction of the counter can also be changed during normal operation by writing to the Direction (DIR) bit in the Control E (TCAn.CTRLE) register.

#### 20.3.3.2 Double Buffering

The Period (TCAn.PER) register value and the Compare n (TCAn.CMPn) register values are all double-buffered (TCAn.PERBUF and TCAn.CMPnBUF).

Each buffer register has a Buffer Valid (BV) flag (PERBV, CMPnBV) in the Control F (TCAn.CTRLF) register, which indicates that the buffer register contains a valid (new) value that can be copied into the corresponding Period or Compare register. When the Period register and Compare n registers are used for a compare operation, the BV flag is set when data are written to the buffer register and cleared on an UPDATE condition. This is shown for a Compare (CMPn) register in the figure below.

Figure 20-5. Period and Compare Double Buffering



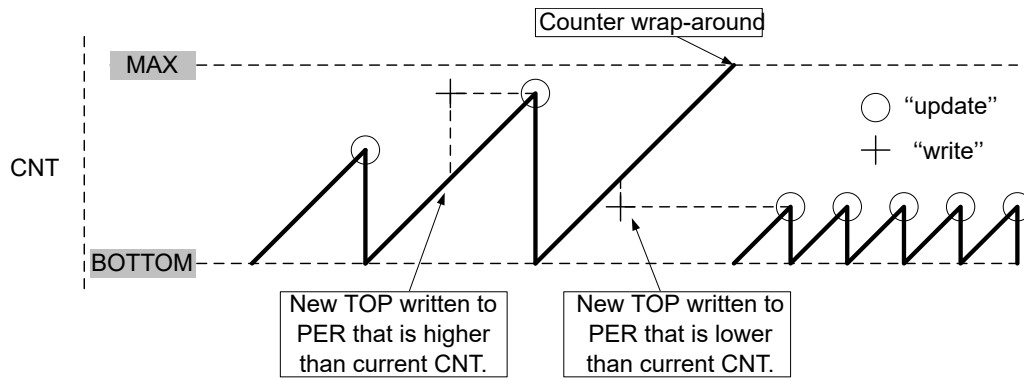
Both the TCA<sub>n</sub>.CMP<sub>n</sub> and TCA<sub>n</sub>.CMP<sub>n</sub>BUF registers are available as I/O registers. This allows the initialization and bypassing of the buffer register and the double-buffering function.

20.3.3.3 Changing the Period

The Counter period is changed by writing a new TOP value to the Period (TCA<sub>n</sub>.PER) register.

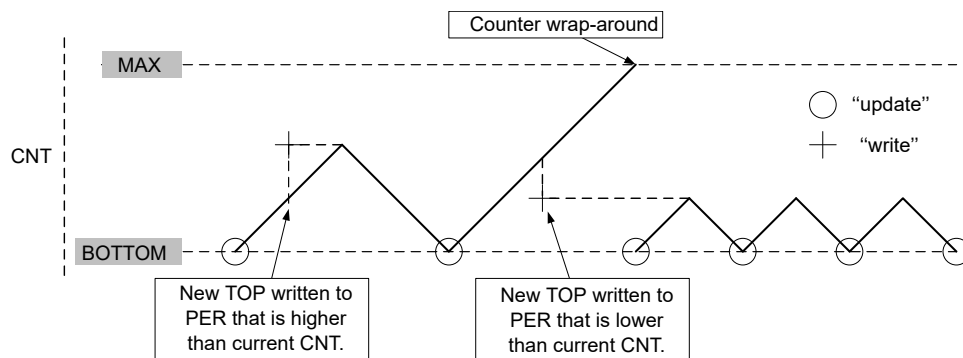
**No Buffering:** If double-buffering is not used, any period update is immediate.

Figure 20-6. Changing the Period Without Buffering



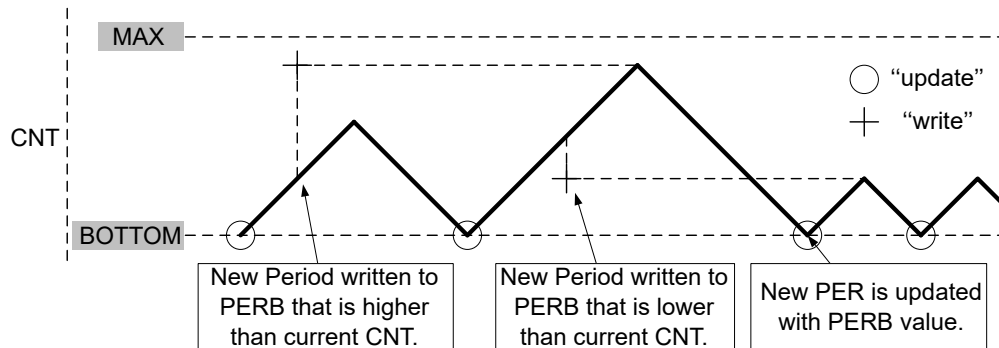
A counter wrap-around can occur in any mode of operation when counting up without buffering, as the TCA<sub>n</sub>.CNT and TCA<sub>n</sub>.PER registers are continuously compared. If a new TOP value is written to TCA<sub>n</sub>.PER that is lower than the current TCA<sub>n</sub>.CNT, the counter will wrap first, before a compare match occurs.

Figure 20-7. Unbuffered Dual-Slope Operation



**With Buffering:** When double-buffering is used, the buffer can be written at any time and still maintain the correct operation. The TCA<sub>n</sub>.PER is always updated on the UPDATE condition, as shown for dual-slope operation in the figure below. This prevents wrap-around and the generation of odd waveforms.

Figure 20-8. Changing the Period Using Buffering



**Note:** Buffering is used in figures illustrating TCA operation if not otherwise specified.

### 20.3.3.4 Compare Channel

Each Compare Channel *n* continuously compares the counter value (TCA<sub>n</sub>.CNT) with the Compare *n* (TCA<sub>n</sub>.CMP<sub>n</sub>) register. If TCA<sub>n</sub>.CNT equals TCA<sub>n</sub>.CMP<sub>n</sub> the Comparator *n* signals a match. The match will set the Compare Channel's interrupt flag at the next timer clock cycle, and the optional interrupt is generated.

The Compare *n* Buffer (TCA<sub>n</sub>.CMP<sub>n</sub>BUF) register provides double-buffer capability equivalent to that for the period buffer. The double-buffering synchronizes the update of the TCA<sub>n</sub>.CMP<sub>n</sub> register with the buffer value to either the TOP or BOTTOM of the counting sequence, according to the UPDATE condition. The synchronization prevents the occurrence of odd-length, non-symmetrical pulses for glitch-free output.

The value in CMP<sub>n</sub>BUF is moved to CMP<sub>n</sub> at the UPDATE condition and is compared to the counter value (TCA<sub>n</sub>.CNT) from the next count.

#### 20.3.3.4.1 Waveform Generation

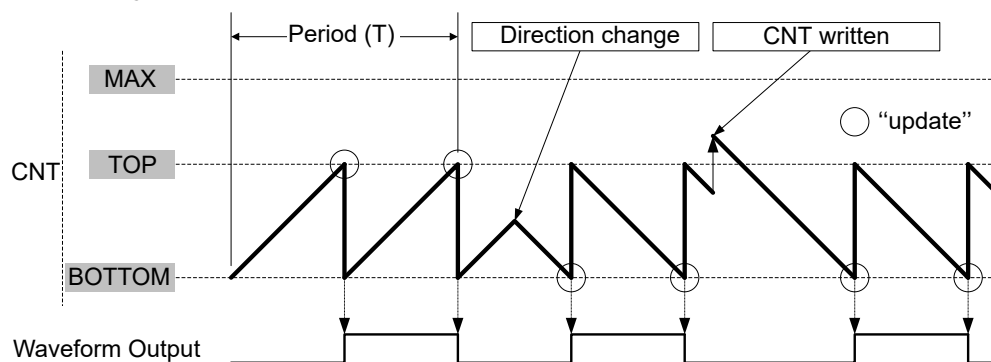
The compare channels can be used for waveform generation on the corresponding port pins. The following requirements must be met to make the waveform visible on the connected port pin:

1. A Waveform Generation mode must be selected by writing the Waveform Generation Mode (WGMODE) bit field in the TCA<sub>n</sub>.CTRLB register.
2. The compare channels used must be enabled (CMP<sub>n</sub>EN = 1 in TCA<sub>n</sub>.CTRLB). This will override the output value for the corresponding pin. An alternative pin can be selected by configuring the Port Multiplexer (PORTMUX). Refer to the *PORTMUX* section for details.
3. The direction for the associated port pin *n* must be configured in the Port peripheral as an output.
4. Optional: Enable the inverted waveform output for the associated port pin *n*. Refer to the *PORT* section for details.

#### 20.3.3.4.2 Frequency (FRQ) Waveform Generation

For frequency generation, the period time (*T*) is controlled by the TCA<sub>n</sub>.CMP0 register instead of the Period (TCA<sub>n</sub>.PER) register. The corresponding waveform generator output is toggled on each compare match between the TCA<sub>n</sub>.CNT and TCA<sub>n</sub>.CMP<sub>n</sub> registers.

Figure 20-9. Frequency Waveform Generation



The following equation defines the waveform frequency ( $f_{FRQ}$ ):

$$f_{FRQ} = \frac{f_{CLK\_PER}}{2N(CMP0+1)}$$

where  $N$  represents the prescaler divider used (see the CLKSEL bit field in the TCA $n$ .CTRLA register), and  $f_{CLK\_PER}$  is the peripheral clock frequency.

The maximum frequency of the waveform generated is half of the peripheral clock frequency ( $f_{CLK\_PER}/2$ ) when TCA $n$ .CMP0 is written to 0x0000 and no prescaling is used ( $N = 1$ , CLKSEL = 0x0 in TCA $n$ .CTRLA).

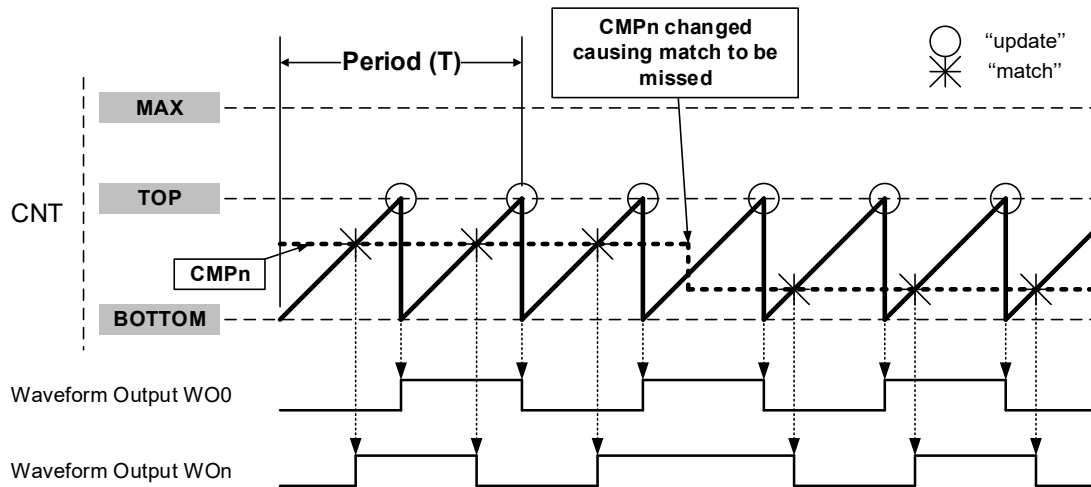
Use the TCA $n$ .CMP1 and TCA $n$ .CMP2 registers to get additional waveform outputs WOn. The waveforms WOn can either be identical or offset to WO0. The offset can be influenced by TCA $n$ .CMP $n$ , TCA $n$ .CNT and the count direction. The offset in seconds  $t_{Offset}$  can be calculated using the equations in the table below. The equations are only valid when  $CMPn < CMP0$ .

**Table 20-2. Offset equation overview**

| Equation   | Count Direction | CMPn vs CNT State         | Offset           |
|--|-----------------|---------------------------|------------------|
| $t_{Offset} = \left(\frac{CMP0 - CMPn}{CMP0 + 1}\right)\left(\frac{T}{2}\right)$ | UP              | CMPn ≥ CNT                | WOn leading WO0  |
|  | DOWN            | CMP0 ≤ CNT                | WOn trailing WO0 |
|  |                 | CMP0 > CNT and CMPn > CNT | WOn trailing WO0 |
| $t_{Offset} = \left(\frac{CMPn + 1}{CMP0 + 1}\right)\left(\frac{T}{2}\right)$    | UP              | CMPn < CNT                | WOn trailing WO0 |
|  | DOWN            | CMPn ≤ CNT                | WOn leading WO0  |

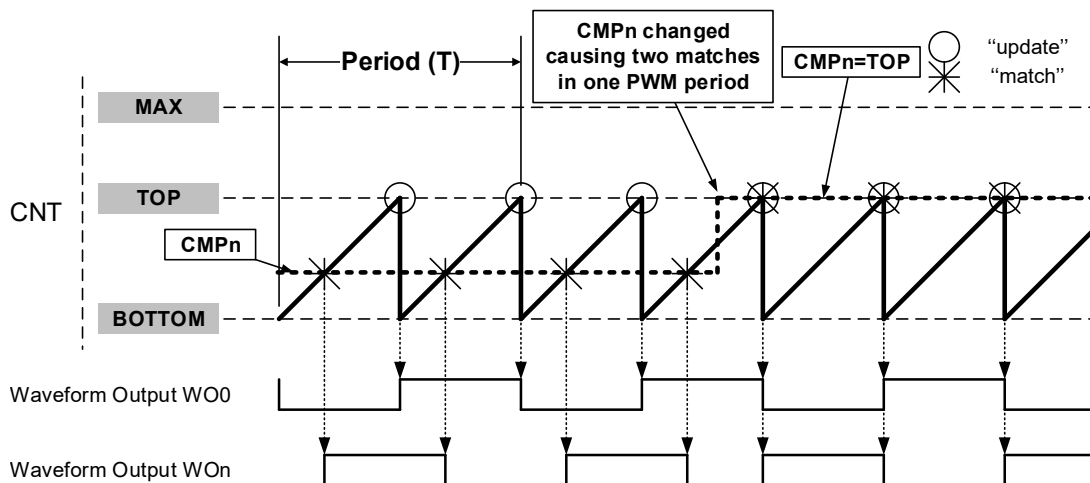
The figure below shows leading and trailing offset for WOn, where both equations can be used. The correct equation is determined by count direction, and the state of CMPn vs CNT when the timer is enabled or CMPn is changed.

**Figure 20-10. Offset When Counting Up**



The figure below shows how the waveform can be inverted by changing CMPn during run-time.

Figure 20-11. Inverting Waveform Output

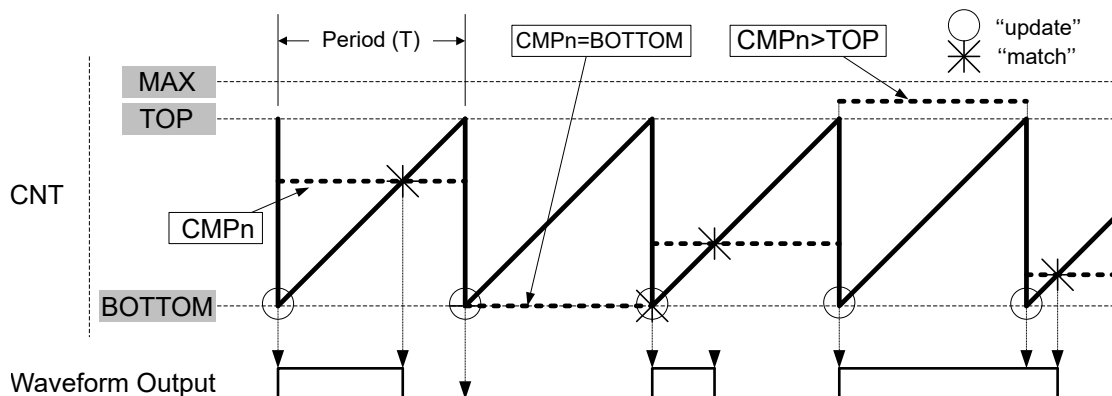


20.3.3.4.3 Single-Slope PWM Generation

For single-slope Pulse-Width Modulation (PWM) generation, the period (T) is controlled by the TCA<sub>n</sub>.PER register, while the values of the TCA<sub>n</sub>.CMP<sub>n</sub> registers control the duty cycles of the generated waveforms. The figure below shows how the counter counts from BOTTOM to TOP and then restarts from BOTTOM. The waveform generator output is set at BOTTOM and cleared on the compare match between the TCA<sub>n</sub>.CNT and TCA<sub>n</sub>.CMP<sub>n</sub> registers.

CMP<sub>n</sub> = BOTTOM will produce a static low signal on WOn while CMP<sub>n</sub> > TOP will produce a static high signal on WOn.

Figure 20-12. Single-Slope Pulse-Width Modulation



Notes:

1. The representation in the figure above is valid when CMP<sub>n</sub> is updated using CMP<sub>n</sub>BUF.
2. For single-slope Pulse-Width Modulation (PWM) generation, the counter counting from TOP to BOTTOM is not supported.

The TCA<sub>n</sub>.PER register defines the PWM resolution. The minimum resolution is 2 bits (TCA<sub>n</sub>.PER = 0x0003), and the maximum resolution is 16 bits (TCA<sub>n</sub>.PER = MAX).

The following equation calculates the exact resolution in bits for single-slope PWM (R<sub>PWM\_SS</sub>):

$$R_{PWM\_SS} = \frac{\log(PER+1)}{\log(2)}$$

The single-slope PWM frequency (f<sub>PWM\_SS</sub>) depends on the period setting (TCA<sub>n</sub>.PER), the peripheral clock frequency f<sub>CLK\_PER</sub> and the TCA prescaler (the CLKSEL bit field in the TCA<sub>n</sub>.CTRLA register). It is calculated by the following equation where N represents the prescaler divider used:

$$f_{PWM\_SS} = \frac{f_{CLK\_PER}}{N(PER+1)}$$

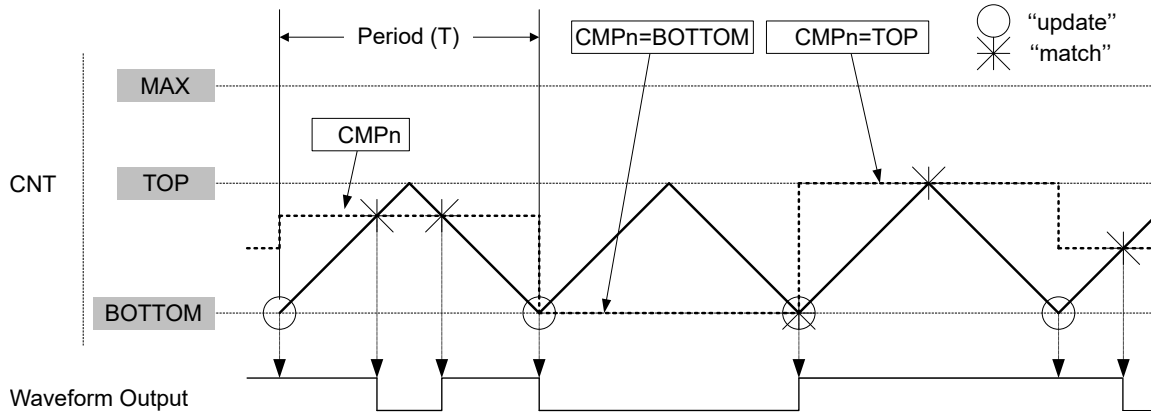
### 20.3.3.4.4 Dual-Slope PWM

For the dual-slope PWM generation, the period (T) is controlled by TCA<sub>n</sub>.PER, while the values of TCA<sub>n</sub>.CMP<sub>n</sub> control the duty cycle of the WG output.

The figure below shows how, for dual-slope PWM, the counter repeatedly counts from BOTTOM to TOP and then from TOP to BOTTOM. The waveform generator output is set at BOTTOM, cleared on compare match when up-counting, and set on compare match when down-counting.

CMP<sub>n</sub> = BOTTOM produces a static low signal on WOn, while CMP<sub>n</sub> = TOP produces a static high signal on WOn.

**Figure 20-13. Dual-Slope Pulse-Width Modulation**



**Note:** The representation in the figure above is valid when CMP<sub>n</sub> is updated using CMP<sub>n</sub>BUF.

The Period (TCA<sub>n</sub>.PER) register defines the PWM resolution. The minimum resolution is 2 bits (TCA<sub>n</sub>.PER = 0x0003), and the maximum resolution is 16 bits (TCA<sub>n</sub>.PER = MAX).

The following equation calculates the exact resolution in bits for dual-slope PWM ( $R_{PWM\_DS}$ ):

$$R_{PWM\_DS} = \frac{\log(PER+1)}{\log(2)}$$

The PWM frequency depends on the period setting in the TCA<sub>n</sub>.PER register, the peripheral clock frequency ( $f_{CLK\_PER}$ ), and the prescaler divider selected in the CLKSEL bit field in the TCA<sub>n</sub>.CTRLA register. It is calculated by the following equation:

$$f_{PWM\_DS} = \frac{f_{CLK\_PER}}{2N \cdot PER}$$

$N$  represents the prescaler divider used.

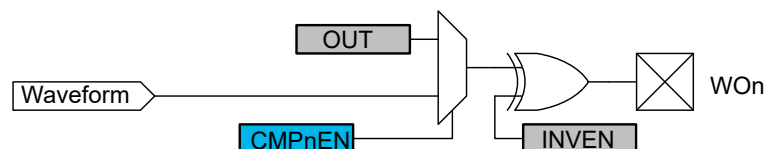
Using dual-slope PWM results in approximately half the maximum operation frequency compared to single-slope PWM operation, due to twice the number of timer increments per period.

### 20.3.3.4.5 Port Override for Waveform Generation

To make the waveform generation available on the port pins, the corresponding port pin direction must be set as output (PORT<sub>x</sub>.DIR[ $n$ ] = 1). The TCA will override the port pin values when the compare channel is enabled (CMP<sub>n</sub>EN = 1 in the TCA<sub>n</sub>.CTRLB register), and a Waveform Generation mode is selected.

The figure below shows the port override for TCA. The timer/counter compare channel will override the port pin output value (PORT<sub>x</sub>.OUT) on the corresponding port pin. Enabling inverted I/O on the port pin (INVEN = 1 in the PORT<sub>x</sub>.PIN<sub>n</sub>CTRL register) inverts the corresponding WG output.

**Figure 20-14. Port Override for Timer/Counter Type A**





### 20.3.3.5 Timer/Counter Commands

A set of commands can be issued by software to immediately change the state of the peripheral. These commands give direct control of the UPDATE, RESTART and RESET signals. A command is issued by writing the respective value to the Command (CMD) bit field in the Control E (TCAn.CTRLESET) register.

An UPDATE command has the same effect as when an UPDATE condition occurs, except that the UPDATE command is not affected by the state of the Lock Update (LUPD) bit in the Control E (TCAn.CTRLE) register.

The software can force a restart of the current waveform period by issuing a RESTART command. In this case, the counter, direction, and all compare outputs are set to '0'.

A RESET command will set all timer/counter registers to their initial values. A RESET command can be issued only when the timer/counter is not running (ENABLE = 0 in the TCAn.CTRLA register).

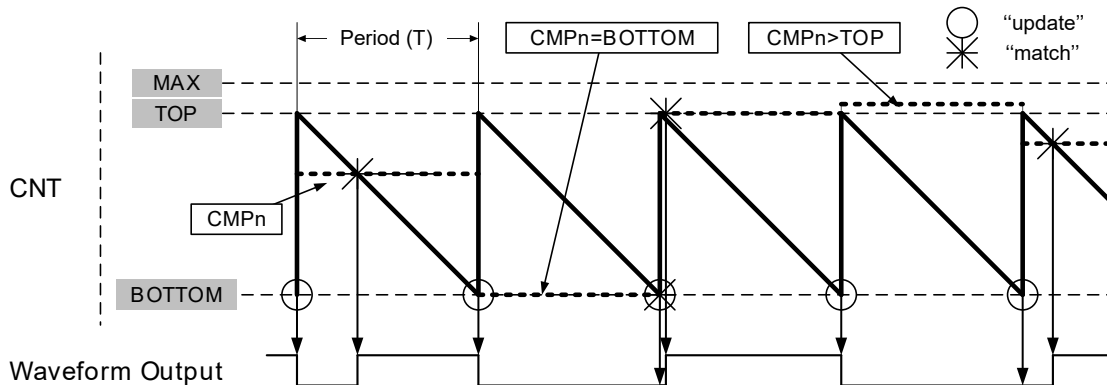
### 20.3.3.6 Split Mode - Two 8-Bit Timer/Counters

#### Split Mode Overview

To double the number of timers and PWM channels in the TCA, a Split mode is provided. In this Split mode, the 16-bit timer/counter acts as two separate 8-bit timers, which each have three compare channels for PWM generation. The Split mode will only work with single-slope down-count. Event controlled operation is not supported in Split mode.

The figure below shows single-slope PWM generation in Split mode. The waveform generator output is cleared at BOTTOM, and set on compare match between the counter value (TCAn.CNT) and the Compare n (TCAn.CMPn) register.

**Figure 20-15. Single-Slope Pulse-Width Modulation in Split mode**



**Note:** The maximum duty-cycle of the waveform output is  $TOP/(TOP+1)$

Activating Split mode results in changes to the functionality of some registers and register bits. The modifications are described in a separate register map (see [20.6 Register Summary - Split Mode](#)).

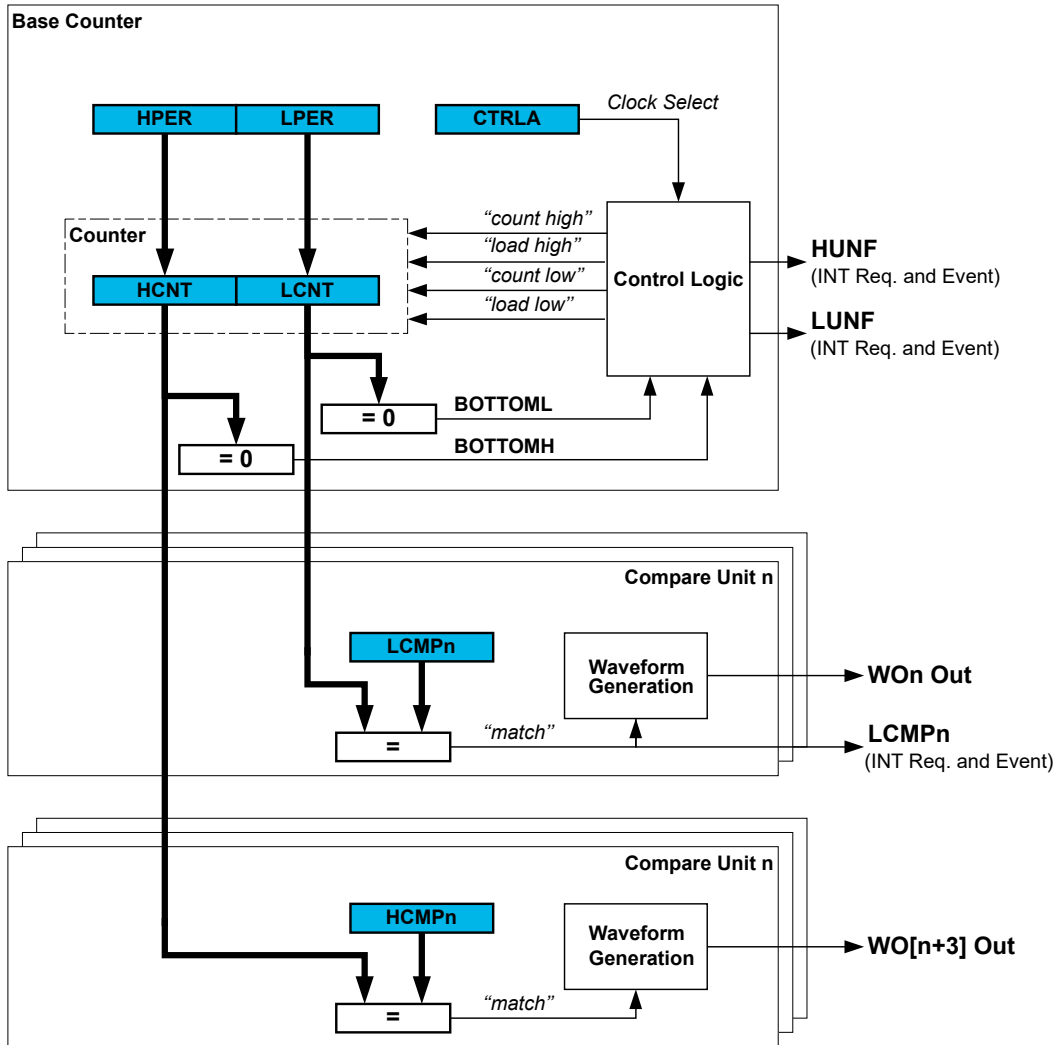
#### Split Mode Differences Compared to Normal Mode

- Count:
  - Down-count only
  - Low Byte Timer Counter (TCAn.LCNT) register and High Byte Timer Counter (TCAn.HCNT) register are independent
- Waveform generation:
  - Single-slope PWM only (WGMODE = SINGLESLOPE in the TCAn.CTRLB register)
- Interrupt:
  - No change for Low Byte Timer Counter (TCAn.LCNT) register
  - Underflow interrupt for High Byte Timer Counter (TCAn.HCNT) register
  - No compare interrupt or flag for High Byte Compare n (TCAn.HCMPn) register
- Event Actions: Not compatible
- Buffer registers and buffer valid flags: Unused

- Register Access: Byte access to all registers

### Block Diagram

Figure 20-16. Timer/Counter Block Diagram Split Mode



### Split Mode Initialization

When shifting between Normal mode and Split mode, the functionality of some registers and bits changes, but their values do not. For this reason, disabling the peripheral (ENABLE = 0 in the TCAn.CTRLA register) and doing a hard Reset (CMD = RESET in the TCAn.CTRLESET register) is recommended when changing the mode to avoid unexpected behavior.

To start using the timer/counter in basic Split mode after a hard Reset, follow these steps:

1. Enable Split mode by writing a '1' to the Split mode enable (SPLITM) bit in the Control D (TCAn.CTRLD) register.
2. Write a TOP value to the Period (TCAn.PER) registers.
3. Enable the peripheral by writing a '1' to the Enable (ENABLE) bit in the Control A (TCAn.CTRLA) register. The counter will start counting clock ticks according to the prescaler setting in the Clock Select (CLKSEL) bit field in the TCAn.CTRLA register.
4. The counter values can be read from the Counter bit field in the Counter (TCAn.CNT) registers.

### 20.3.4 Events

The TCA can generate the events described in the table below. All event generators except TCA<sub>n</sub>\_HUNF are shared between Normal mode and Split mode operation.

**Table 20-3. Event Generators in TCA**

| Generator Name   |          | Description  | Event Type | Generating Clock Domain | Length of Event    |
|------------------|----------|--|------------|-------------------------|--------------------|
| Peripheral       | Event    |  |            |                         |                    |
| TCA <sub>n</sub> | OVF_LUNF | Normal mode: Overflow<br>Split mode: Low byte timer underflow                              | Pulse      | CLK_PER                 | One CLK_PER period |
|                  | HUNF     | Normal mode: Not available<br>Split mode: High byte timer underflow                        | Pulse      | CLK_PER                 | One CLK_PER period |
|                  | CMP0     | Normal mode: Compare Channel 0 match<br>Split mode: Low byte timer Compare Channel 0 match | Pulse      | CLK_PER                 | One CLK_PER period |
|                  | CMP1     | Normal mode: Compare Channel 1 match<br>Split mode: Low byte timer Compare Channel 1 match | Pulse      | CLK_PER                 | One CLK_PER period |
|                  | CMP2     | Normal mode: Compare Channel 2 match<br>Split mode: Low byte timer Compare Channel 2 match | Pulse      | CLK_PER                 | One CLK_PER period |

**Note:** The conditions for generating an event are identical to those that will raise the corresponding interrupt flag in the TCA<sub>n</sub>.INTFLAGS register for both Normal mode and Split mode.

The TCA has one event user for detecting and acting upon input events. The table below describes the event user and the associated functionality.

**Table 20-4. Event User in TCA**

| User Name        |       | Description  | Input Detection | Async/Sync |
|------------------|-------|--|-----------------|------------|
| Peripheral       | Input |  |                 |            |
| TCA <sub>n</sub> | CNT   | Count on a positive event edge   | Edge            | Sync       |
|                  |       | Count on any event edge  | Edge            | Sync       |
|                  |       | Count while the event signal is high   | Level           | Sync       |
|                  |       | The event level controls the count direction, up when low and down when high | Level           | Sync       |

**Notes:**

1. Event inputs are not used in Split mode.
2. Event actions with level input detection only work reliably if the event frequency is less than the timer's frequency.

The specific actions described in the table above are selected by writing to the Event Action (EVACT) bit field in the Event Control (TCA<sub>n</sub>.EVCTRL) register. Input events are enabled by writing a '1' to the Enable Count on Event Input (CNTEI) bit in the Event Control (TCA<sub>n</sub>.EVCTRL) register.

Refer to the *Event System (EVSYS)* chapter for more details regarding event types and Event System configuration.

### 20.3.5 Interrupts

**Table 20-5. Available Interrupt Vectors and Sources in Normal Mode**

| Name | Vector Description              | Conditions   |
|------|---------------------------------|--|
| OVF  | Overflow or underflow interrupt | The counter has reached TOP or BOTTOM                      |
| CMP0 | Compare Channel 0 interrupt     | Match between the counter value and the Compare 0 register |
| CMP1 | Compare Channel 1 interrupt     | Match between the counter value and the Compare 1 register |
| CMP2 | Compare Channel 2 interrupt     | Match between the counter value and the Compare 2 register |

**Table 20-6. Available Interrupt Vectors and Sources in Split Mode**

| Name  | Vector Description            | Conditions   |
|-------|-------------------------------|--|
| LUNF  | Low-byte Underflow interrupt  | Low byte timer reaches BOTTOM  |
| HUNF  | High-byte Underflow interrupt | High byte timer reaches BOTTOM   |
| LCMP0 | Compare Channel 0 interrupt   | Match between the counter value and the low byte of the Compare 0 register |
| LCMP1 | Compare Channel 1 interrupt   | Match between the counter value and the low byte of the Compare 1 register |
| LCMP2 | Compare Channel 2 interrupt   | Match between the counter value and the low byte of the Compare 2 register |

When an interrupt condition occurs, the corresponding interrupt flag is set in the peripheral's Interrupt Flags (*peripheral*.INTFLAGS) register.

An interrupt source is enabled or disabled by writing to the corresponding enable bit in the peripheral's Interrupt Control (*peripheral*.INTCTRL) register.

An interrupt request is generated when the corresponding interrupt source is enabled, and the interrupt flag is set. The interrupt request remains active until the interrupt flag is cleared. See the peripheral's INTFLAGS register for details on how to clear interrupt flags.

### 20.3.6 Sleep Mode Operation

The timer/counter will continue operation in Idle sleep mode.

## 20.4 Register Summary - Normal Mode

| Offset | Name                     | Bit Pos. | 7            | 6      | 5      | 4      | 3          | 2           | 1      | 0      |
|--------|--------------------------|----------|--------------|--------|--------|--------|------------|-------------|--------|--------|
| 0x00   | <a href="#">CTRLA</a>    | 7:0      |              |        |        |        |            | CLKSEL[2:0] |        | ENABLE |
| 0x01   | <a href="#">CTRLB</a>    | 7:0      |              | CMP2EN | CMP1EN | CMP0EN | ALUPD      | WGMODE[2:0] |        |        |
| 0x02   | <a href="#">CTRLC</a>    | 7:0      |              |        |        |        |            | CMP2OV      | CMP1OV | CMP0OV |
| 0x03   | <a href="#">CTRLD</a>    | 7:0      |              |        |        |        |            |             |        | SPLITM |
| 0x04   | <a href="#">CTRLECLR</a> | 7:0      |              |        |        |        | CMD[1:0]   |             | LUPD   | DIR    |
| 0x05   | <a href="#">CTRLESET</a> | 7:0      |              |        |        |        | CMD[1:0]   |             | LUPD   | DIR    |
| 0x06   | <a href="#">CTRLFCLR</a> | 7:0      |              |        |        |        | CMP2BV     | CMP1BV      | CMP0BV | PERBV  |
| 0x07   | <a href="#">CTRLFSET</a> | 7:0      |              |        |        |        | CMP2BV     | CMP1BV      | CMP0BV | PERBV  |
| 0x08   | Reserved                 |          |              |        |        |        |            |             |        |        |
| 0x09   | <a href="#">EVCTRL</a>   | 7:0      |              |        |        |        | EVACT[2:0] |             |        | CNTEI  |
| 0x0A   | <a href="#">INTCTRL</a>  | 7:0      |              | CMP2   | CMP1   | CMP0   |            |             |        | OVF    |
| 0x0B   | <a href="#">INTFLAGS</a> | 7:0      |              | CMP2   | CMP1   | CMP0   |            |             |        | OVF    |
| 0x0C   | Reserved                 |          |              |        |        |        |            |             |        |        |
| ...    | Reserved                 |          |              |        |        |        |            |             |        |        |
| 0x0D   | Reserved                 |          |              |        |        |        |            |             |        |        |
| 0x0E   | <a href="#">DBGCTRL</a>  | 7:0      |              |        |        |        |            |             |        | DBGRUN |
| 0x0F   | <a href="#">TEMP</a>     | 7:0      | TEMP[7:0]    |        |        |        |            |             |        |        |
| 0x10   | Reserved                 |          |              |        |        |        |            |             |        |        |
| ...    | Reserved                 |          |              |        |        |        |            |             |        |        |
| 0x1F   | Reserved                 |          |              |        |        |        |            |             |        |        |
| 0x20   | <a href="#">CNT</a>      | 7:0      | CNT[7:0]     |        |        |        |            |             |        |        |
|        |                          | 15:8     | CNT[15:8]    |        |        |        |            |             |        |        |
| 0x22   | Reserved                 |          |              |        |        |        |            |             |        |        |
| ...    | Reserved                 |          |              |        |        |        |            |             |        |        |
| 0x25   | Reserved                 |          |              |        |        |        |            |             |        |        |
| 0x26   | <a href="#">PER</a>      | 7:0      | PER[7:0]     |        |        |        |            |             |        |        |
|        |                          | 15:8     | PER[15:8]    |        |        |        |            |             |        |        |
| 0x28   | <a href="#">CMP0</a>     | 7:0      | CMP[7:0]     |        |        |        |            |             |        |        |
|        |                          | 15:8     | CMP[15:8]    |        |        |        |            |             |        |        |
| 0x2A   | <a href="#">CMP1</a>     | 7:0      | CMP[7:0]     |        |        |        |            |             |        |        |
|        |                          | 15:8     | CMP[15:8]    |        |        |        |            |             |        |        |
| 0x2C   | <a href="#">CMP2</a>     | 7:0      | CMP[7:0]     |        |        |        |            |             |        |        |
|        |                          | 15:8     | CMP[15:8]    |        |        |        |            |             |        |        |
| 0x2E   | Reserved                 |          |              |        |        |        |            |             |        |        |
| ...    | Reserved                 |          |              |        |        |        |            |             |        |        |
| 0x35   | Reserved                 |          |              |        |        |        |            |             |        |        |
| 0x36   | <a href="#">PERBUF</a>   | 7:0      | PERBUF[7:0]  |        |        |        |            |             |        |        |
|        |                          | 15:8     | PERBUF[15:8] |        |        |        |            |             |        |        |
| 0x38   | <a href="#">CMP0BUF</a>  | 7:0      | CMPBUF[7:0]  |        |        |        |            |             |        |        |
|        |                          | 15:8     | CMPBUF[15:8] |        |        |        |            |             |        |        |
| 0x3A   | <a href="#">CMP1BUF</a>  | 7:0      | CMPBUF[7:0]  |        |        |        |            |             |        |        |
|        |                          | 15:8     | CMPBUF[15:8] |        |        |        |            |             |        |        |
| 0x3C   | <a href="#">CMP2BUF</a>  | 7:0      | CMPBUF[7:0]  |        |        |        |            |             |        |        |
|        |                          | 15:8     | CMPBUF[15:8] |        |        |        |            |             |        |        |

## 20.5 Register Description - Normal Mode

### 20.5.1 Control A - Normal Mode

**Name:** CTRLA  
**Offset:** 0x00  
**Reset:** 0x00  
**Property:** -

|        |   |   |   |   |             |     |     |        |
|--------|---|---|---|---|-------------|-----|-----|--------|
|        | 7 | 6 | 5 | 4 | 3           | 2   | 1   | 0      |
|        |   |   |   |   | CLKSEL[2:0] |     |     | ENABLE |
| Access |   |   |   |   | R/W         | R/W | R/W | R/W    |
| Reset  |   |   |   |   | 0           | 0   | 0   | 0      |

#### Bits 3:1 – CLKSEL[2:0] Clock Select

This bit field selects the clock frequency for the timer/counter.

| Value | Name    | Description                   |
|-------|---------|-------------------------------|
| 0x0   | DIV1    | $f_{TCA} = f_{CLK\_PER}$      |
| 0x1   | DIV2    | $f_{TCA} = f_{CLK\_PER}/2$    |
| 0x2   | DIV4    | $f_{TCA} = f_{CLK\_PER}/4$    |
| 0x3   | DIV8    | $f_{TCA} = f_{CLK\_PER}/8$    |
| 0x4   | DIV16   | $f_{TCA} = f_{CLK\_PER}/16$   |
| 0x5   | DIV64   | $f_{TCA} = f_{CLK\_PER}/64$   |
| 0x6   | DIV256  | $f_{TCA} = f_{CLK\_PER}/256$  |
| 0x7   | DIV1024 | $f_{TCA} = f_{CLK\_PER}/1024$ |

#### Bit 0 – ENABLE Enable

| Value | Description                |
|-------|----------------------------|
| 0     | The peripheral is disabled |
| 1     | The peripheral is enabled  |

### 20.5.2 Control B - Normal Mode

**Name:** CTRLB  
**Offset:** 0x01  
**Reset:** 0x00  
**Property:** -

|        |   |        |        |        |       |             |     |     |
|--------|---|--------|--------|--------|-------|-------------|-----|-----|
| Bit    | 7 | 6      | 5      | 4      | 3     | 2           | 1   | 0   |
|        |   | CMP2EN | CMP1EN | CMP0EN | ALUPD | WGMODE[2:0] |     |     |
| Access |   | R/W    | R/W    | R/W    | R/W   | R/W         | R/W | R/W |
| Reset  |   | 0      | 0      | 0      | 0     | 0           | 0   | 0   |

#### Bits 4, 5, 6 – CMPEN Compare n Enable

In the FRQ and PWM Waveform Generation modes, the Compare n Enable (CMPnEN) bits will make the waveform output available on the pin corresponding to WOn, overriding the value in the corresponding PORT output register. The corresponding pin direction must be configured as an output in the PORT peripheral.

| Value | Description   |
|-------|---|
| 0     | Waveform output WOn will not be available on the corresponding pin          |
| 1     | Waveform output WOn will override the output value of the corresponding pin |

#### Bit 3 – ALUPD Auto-Lock Update

The Auto-Lock Update bit controls the Lock Update (LUPD) bit in the TCAn.CTRLE register. When ALUPD is written to '1', the LUPD bit will be set to '1' until the Buffer Valid (CMPnBV) bits of all enabled compare channels are '1'. This condition will clear the LUPD bit.

It will remain cleared until the next UPDATE condition, where the buffer values will be transferred to the CMPn registers, and the LUPD bit will be set to '1' again. This makes sure that the CMPnBUF register values are not transferred to the CMPn registers until all enabled compare buffers are written.

| Value | Description  |
|-------|--|
| 0     | LUPD bit in the TCAn.CTRLE register is not altered by the system     |
| 1     | LUPD bit in the TCAn.CTRLE register is set and cleared automatically |

#### Bits 2:0 – WGMODE[2:0] Waveform Generation Mode

This bit field selects the Waveform Generation mode and controls the counting sequence of the counter, TOP value, UPDATE condition, Interrupt condition, and the type of waveform generated.

No waveform generation is performed in the Normal mode of operation. For all other modes, the waveform generator output will only be directed to the port pins if the corresponding CMPnEN bit has been set. The port pin direction must be set as output.

**Table 20-7. Timer Waveform Generation Mode**

| Value | Group Configuration | Mode of Operation | TOP  | UPDATE             | OVF                |
|-------|---------------------|-------------------|------|--------------------|--------------------|
| 0x0   | NORMAL              | Normal            | PER  | TOP <sup>(1)</sup> | TOP <sup>(1)</sup> |
| 0x1   | FRQ                 | Frequency         | CMP0 | TOP <sup>(1)</sup> | TOP <sup>(1)</sup> |
| 0x2   | -                   | Reserved          | -    | -                  | -                  |
| 0x3   | SINGLESLOPE         | Single-slope PWM  | PER  | BOTTOM             | BOTTOM             |
| 0x4   | -                   | Reserved          | -    | -                  | -                  |
| 0x5   | DSTOP               | Dual-slope PWM    | PER  | BOTTOM             | TOP                |
| 0x6   | DSBOTH              | Dual-slope PWM    | PER  | BOTTOM             | TOP and BOTTOM     |
| 0x7   | DSBOTTOM            | Dual-slope PWM    | PER  | BOTTOM             | BOTTOM             |

**Note:**

1. When counting up.

### 20.5.3 Control C - Normal Mode

**Name:** CTRLC  
**Offset:** 0x02  
**Reset:** 0x00  
**Property:** -

|        |   |   |   |   |   |        |        |        |
|--------|---|---|---|---|---|--------|--------|--------|
|        | 7 | 6 | 5 | 4 | 3 | 2      | 1      | 0      |
| Access |   |   |   |   |   | CMP2OV | CMP1OV | CMP0OV |
| Reset  |   |   |   |   |   | R/W    | R/W    | R/W    |
|        |   |   |   |   |   | 0      | 0      | 0      |

**Bit 2 – CMP2OV** Compare Output Value 2  
 See CMP0OV.

**Bit 1 – CMP1OV** Compare Output Value 1  
 See CMP0OV.

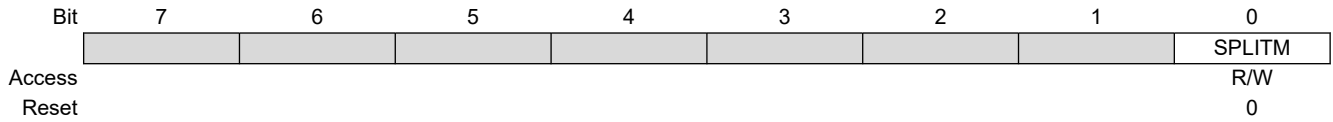
**Bit 0 – CMP0OV** Compare Output Value 0  
 The CMPnOV bits allow direct access to the waveform generator’s output compare value when the timer/counter is not enabled. This is used to set or clear the WG output value when the timer/counter is not running.

**Note:** When the output is connected to the pad, overriding these bits will not work unless the CMPnEN bits in the TCA<sub>n</sub>.CTRLB register have been set. If the output is connected to CCL, the CMPnEN bits in the TCA<sub>n</sub>.CTRLB register are bypassed.



**20.5.4 Control D - Normal Mode**

**Name:** CTRLD  
**Offset:** 0x03  
**Reset:** 0x00  
**Property:** -



**Bit 0 – SPLITM** Enable Split Mode

This bit sets the timer/counter in Split mode operation and will work as two 8-bit timer/counters. The register map will change compared to the normal 16-bit mode.

### 20.5.5 Control Register E Clear - Normal Mode

**Name:** CTRLECLR  
**Offset:** 0x04  
**Reset:** 0x00  
**Property:** -

Use this register instead of a Read-Modify-Write (RMW) to clear individual bits by writing a '1' to its bit location.

|        |   |   |   |   |          |     |      |     |
|--------|---|---|---|---|----------|-----|------|-----|
|        | 7 | 6 | 5 | 4 | 3        | 2   | 1    | 0   |
|        |   |   |   |   | CMD[1:0] |     | LUPD | DIR |
| Access |   |   |   |   | R/W      | R/W | R/W  | R/W |
| Reset  |   |   |   |   | 0        | 0   | 0    | 0   |

#### Bits 3:2 – CMD[1:0] Command

This bit field is used for software control of update, restart, and Reset of the timer/counter. The command bit field is always read as '0'.

| Value | Name    | Description  |
|-------|---------|--|
| 0x0   | NONE    | No command   |
| 0x1   | UPDATE  | Force update   |
| 0x2   | RESTART | Force restart  |
| 0x3   | RESET   | Force hard Reset (ignored if the timer/counter is enabled) |

#### Bit 1 – LUPD Lock Update

Lock update can be used to ensure that all buffers are valid before an update is performed.

| Value | Description  |
|-------|--|
| 0     | The buffered registers are updated as soon as an UPDATE condition has occurred   |
| 1     | No update of the buffered registers is performed, even though an UPDATE condition has occurred. This setting will not prevent an update issued by the Command bit field. |

#### Bit 0 – DIR Counter Direction

Normally this bit is controlled in hardware by the Waveform Generation mode or by event actions, but can also be changed from the software.

| Value | Description                                 |
|-------|---|
| 0     | The counter is counting up (incrementing)   |
| 1     | The counter is counting down (decrementing) |

### 20.5.6 Control Register E Set - Normal Mode

**Name:** CTRLRESET  
**Offset:** 0x05  
**Reset:** 0x00  
**Property:** -

Use this register instead of a Read-Modify-Write (RMW) to set individual bits by writing a '1' to its bit location.

|        |   |   |   |   |          |     |      |     |
|--------|---|---|---|---|----------|-----|------|-----|
|        | 7 | 6 | 5 | 4 | 3        | 2   | 1    | 0   |
|        |   |   |   |   | CMD[1:0] |     | LUPD | DIR |
| Access |   |   |   |   | R/W      | R/W | R/W  | R/W |
| Reset  |   |   |   |   | 0        | 0   | 0    | 0   |

#### Bits 3:2 – CMD[1:0] Command

This bit field is used for software control of update, restart, and Reset of the timer/counter. The command bit field is always read as '0'.

| Value | Name    | Description  |
|-------|---------|--|
| 0x0   | NONE    | No command   |
| 0x1   | UPDATE  | Force update   |
| 0x2   | RESTART | Force restart  |
| 0x3   | RESET   | Force hard Reset (ignored if the timer/counter is enabled) |

#### Bit 1 – LUPD Lock Update

Locking the update ensures that all buffers are valid before an update is performed.

| Value | Description  |
|-------|--|
| 0     | The buffered registers are updated as soon as an UPDATE condition has occurred   |
| 1     | No update of the buffered registers is performed, even though an UPDATE condition has occurred. This setting will not prevent an update issued by the Command bit field. |

#### Bit 0 – DIR Counter Direction

Normally this bit is controlled in hardware by the Waveform Generation mode or by event actions, but can also be changed from the software.

| Value | Description                                 |
|-------|---|
| 0     | The counter is counting up (incrementing)   |
| 1     | The counter is counting down (decrementing) |

### 20.5.7 Control Register F Clear

**Name:** CTRLFCLR  
**Offset:** 0x06  
**Reset:** 0x00  
**Property:** -

Use this register instead of a Read-Modify-Write (RMW) to clear individual bits by writing a '1' to its bit location.

|        |   |   |   |   |        |        |        |       |
|--------|---|---|---|---|--------|--------|--------|-------|
|        | 7 | 6 | 5 | 4 | 3      | 2      | 1      | 0     |
|        |   |   |   |   | CMP2BV | CMP1BV | CMP0BV | PERBV |
| Access |   |   |   |   | R/W    | R/W    | R/W    | R/W   |
| Reset  |   |   |   |   | 0      | 0      | 0      | 0     |

**Bit 3 – CMP2BV** Compare 2 Buffer Valid  
See CMP0BV.

**Bit 2 – CMP1BV** Compare 1 Buffer Valid  
See CMP0BV.

**Bit 1 – CMP0BV** Compare 0 Buffer Valid  
The CMPnBV bits are set when a new value is written to the corresponding TCAn.CMPnBUF register. These bits are automatically cleared on an UPDATE condition.

**Bit 0 – PERBV** Period Buffer Valid  
This bit is set when a new value is written to the TCAn.PERBUF register. This bit is automatically cleared on an UPDATE condition.

### 20.5.8 Control Register F Set

**Name:** CTRLFSET  
**Offset:** 0x07  
**Reset:** 0x00  
**Property:** -

Use this register instead of a Read-Modify-Write (RMW) to set individual bits by writing a '1' to its bit location.

|        |   |   |   |   |        |        |        |       |
|--------|---|---|---|---|--------|--------|--------|-------|
|        | 7 | 6 | 5 | 4 | 3      | 2      | 1      | 0     |
|        |   |   |   |   | CMP2BV | CMP1BV | CMP0BV | PERBV |
| Access |   |   |   |   | R/W    | R/W    | R/W    | R/W   |
| Reset  |   |   |   |   | 0      | 0      | 0      | 0     |

**Bit 3 – CMP2BV** Compare 2 Buffer Valid  
 See CMP0BV.

**Bit 2 – CMP1BV** Compare 1 Buffer Valid  
 See CMP0BV.

**Bit 1 – CMP0BV** Compare 0 Buffer Valid  
 The CMPnBV bits are set when a new value is written to the corresponding TCAn.CMPnBUF register. These bits are automatically cleared on an UPDATE condition.

**Bit 0 – PERBV** Period Buffer Valid  
 This bit is set when a new value is written to the TCAn.PERBUF register. This bit is automatically cleared on an UPDATE condition.

### 20.5.9 Event Control

**Name:** EVCTRL  
**Offset:** 0x09  
**Reset:** 0x00  
**Property:** -

|        |   |   |   |   |            |     |     |       |
|--------|---|---|---|---|------------|-----|-----|-------|
|        | 7 | 6 | 5 | 4 | 3          | 2   | 1   | 0     |
|        |   |   |   |   | EVACT[2:0] |     |     | CNTEI |
| Access |   |   |   |   | R/W        | R/W | R/W | R/W   |
| Reset  |   |   |   |   | 0          | 0   | 0   | 0     |

#### Bits 3:1 – EVACT[2:0] Event Action

This bit field defines what action the counter will take upon certain event conditions.

| Value | Name          | Description  |
|-------|---------------|--|
| 0x0   | EVACT_POSEDGE | Count on positive event edge   |
| 0x1   | EVACT_ANYEDGE | Count on any event edge  |
| 0x2   | EVACT_HIGHLVL | Count prescaled clock cycles while the event signal is high  |
| 0x3   | EVACT_UPDOWN  | Count prescaled clock cycles. The event signal controls the count direction, up when low and down when high. The direction is latched when the counter counts. |
| Other |               | Reserved   |

#### Bit 0 – CNTEI Enable Count on Event Input

| Value | Description  |
|-------|--|
| 0     | Count on Event input is disabled                             |
| 1     | Count on Event input is enabled according to EVACT bit field |

**20.5.10 Interrupt Control Register - Normal Mode**

**Name:** INTCTRL  
**Offset:** 0x0A  
**Reset:** 0x00  
**Property:** -

|        |   |      |      |      |   |   |   |     |
|--------|---|------|------|------|---|---|---|-----|
|        | 7 | 6    | 5    | 4    | 3 | 2 | 1 | 0   |
|        |   | CMP2 | CMP1 | CMP0 |   |   |   | OVF |
| Access |   | R/W  | R/W  | R/W  |   |   |   | R/W |
| Reset  |   | 0    | 0    | 0    |   |   |   | 0   |

**Bit 6 – CMP2** Compare Channel 2 Interrupt Enable  
 See CMP0.

**Bit 5 – CMP1** Compare Channel 1 Interrupt Enable  
 See CMP0.

**Bit 4 – CMP0** Compare Channel 0 Interrupt Enable  
 Writing the CMPn bit to '1' enables the interrupt from Compare Channel n.

**Bit 0 – OVF** Timer Overflow/Underflow Interrupt Enable  
 Writing the OVF bit to '1' enables the overflow/underflow interrupt.

### 20.5.11 Interrupt Flag Register - Normal Mode

**Name:** INTFLAGS  
**Offset:** 0x0B  
**Reset:** 0x00  
**Property:** -

|        |      |   |      |      |   |   |   |     |
|--------|------|---|------|------|---|---|---|-----|
|        | 7    | 6 | 5    | 4    | 3 | 2 | 1 | 0   |
| Bit    | CMP2 |   | CMP1 | CMP0 |   |   |   | OVF |
| Access | R/W  |   | R/W  | R/W  |   |   |   | R/W |
| Reset  | 0    |   | 0    | 0    |   |   |   | 0   |

**Bit 6 – CMP2** Compare Channel 2 Interrupt Flag  
 See the CMP0 flag description.

**Bit 5 – CMP1** Compare Channel 1 Interrupt Flag  
 See the CMP0 flag description.

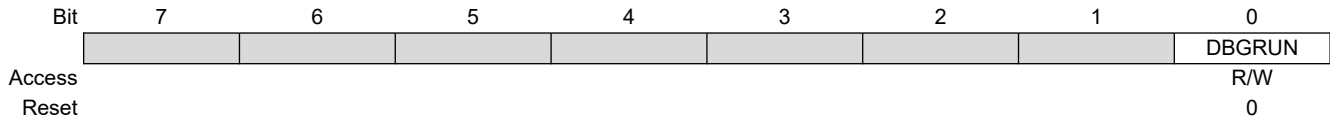
**Bit 4 – CMP0** Compare Channel 0 Interrupt Flag  
 The Compare Interrupt (CMPn) flag is set on a compare match on the corresponding compare channel. For all modes of operation, the CMPn flag will be set when a compare match occurs between the Count (TCAn.CNT) register and the corresponding Compare n (TCAn.CMPn) register. The CMPn flag is not cleared automatically. It will be cleared only by writing a '1' to its bit location.

**Bit 0 – OVF** Overflow/Underflow Interrupt Flag  
 This flag is set either on a TOP (overflow) or BOTTOM (underflow) condition, depending on the WGMODE setting. The OVF flag is not cleared automatically. It will be cleared only by writing a '1' to its bit location.



**20.5.12 Debug Control Register - Normal Mode**

**Name:** DBGCTRL  
**Offset:** 0x0E  
**Reset:** 0x00  
**Property:** -



**Bit 0 – DBGRUN** Run in Debug

| Value | Description  |
|-------|--|
| 0     | The peripheral is halted in Break Debug mode and ignores events                |
| 1     | The peripheral will continue to run in Break Debug mode when the CPU is halted |

### 20.5.13 Temporary Bits for 16-Bit Access

**Name:** TEMP  
**Offset:** 0x0F  
**Reset:** 0x00  
**Property:** -

The Temporary register is used by the CPU for 16-bit single-cycle access to the 16-bit registers of this peripheral. The register is common for all the 16-bit registers of this peripheral and can be read and written by software. For more details on reading and writing 16-bit registers, refer to *Accessing 16-Bit Registers* in the *AVR CPU* section.

|        |           |     |     |     |     |     |     |     |
|--------|-----------|-----|-----|-----|-----|-----|-----|-----|
| Bit    | 7         | 6   | 5   | 4   | 3   | 2   | 1   | 0   |
|        | TEMP[7:0] |     |     |     |     |     |     |     |
| Access | R/W       | R/W | R/W | R/W | R/W | R/W | R/W | R/W |
| Reset  | 0         | 0   | 0   | 0   | 0   | 0   | 0   | 0   |

**Bits 7:0 – TEMP[7:0]** Temporary Bits for 16-bit Access

### 20.5.14 Counter Register - Normal Mode

**Name:** CNT  
**Offset:** 0x20  
**Reset:** 0x00  
**Property:** -

The TCA<sub>n</sub>.CNTL and TCA<sub>n</sub>.CNTH register pair represents the 16-bit value, TCA<sub>n</sub>.CNT. The low byte [7:0] (suffix L) is accessible at the original offset. The high byte [15:8] (suffix H) can be accessed at offset + 0x01.

|        |     |           |     |     |     |     |     |     |     |
|--------|-----|-----------|-----|-----|-----|-----|-----|-----|-----|
|        | Bit | 15        | 14  | 13  | 12  | 11  | 10  | 9   | 8   |
|        |     | CNT[15:8] |     |     |     |     |     |     |     |
| Access |     | R/W       | R/W | R/W | R/W | R/W | R/W | R/W | R/W |
| Reset  |     | 0         | 0   | 0   | 0   | 0   | 0   | 0   | 0   |
|        |     |           |     |     |     |     |     |     |     |
|        | Bit | 7         | 6   | 5   | 4   | 3   | 2   | 1   | 0   |
|        |     | CNT[7:0]  |     |     |     |     |     |     |     |
| Access |     | R/W       | R/W | R/W | R/W | R/W | R/W | R/W | R/W |
| Reset  |     | 0         | 0   | 0   | 0   | 0   | 0   | 0   | 0   |

**Bits 15:8 – CNT[15:8]** Counter High Byte  
 This bit field holds the MSB of the 16-bit Counter register.

**Bits 7:0 – CNT[7:0]** Counter Low Byte  
 This bit field holds the LSB of the 16-bit Counter register.

### 20.5.15 Period Register - Normal Mode

**Name:** PER  
**Offset:** 0x26  
**Reset:** 0xFFFF  
**Property:** -

The TCA<sub>n</sub>.PER register contains the 16-bit TOP value in the timer/counter in all modes of operation, except Frequency Waveform Generation (FRQ).

The TCA<sub>n</sub>.PERL and TCA<sub>n</sub>.PERH register pair represents the 16-bit value, TCA<sub>n</sub>.PER. The low byte [7:0] (suffix L) is accessible at the original offset. The high byte [15:8] (suffix H) can be accessed at offset + 0x01.

|        |           |     |     |     |     |     |     |     |
|--------|-----------|-----|-----|-----|-----|-----|-----|-----|
| Bit    | 15        | 14  | 13  | 12  | 11  | 10  | 9   | 8   |
|        | PER[15:8] |     |     |     |     |     |     |     |
| Access | R/W       | R/W | R/W | R/W | R/W | R/W | R/W | R/W |
| Reset  | 1         | 1   | 1   | 1   | 1   | 1   | 1   | 1   |
|        |           |     |     |     |     |     |     |     |
| Bit    | 7         | 6   | 5   | 4   | 3   | 2   | 1   | 0   |
|        | PER[7:0]  |     |     |     |     |     |     |     |
| Access | R/W       | R/W | R/W | R/W | R/W | R/W | R/W | R/W |
| Reset  | 1         | 1   | 1   | 1   | 1   | 1   | 1   | 1   |

**Bits 15:8 – PER[15:8]** Periodic High Byte  
 This bit field holds the MSB of the 16-bit Period register.

**Bits 7:0 – PER[7:0]** Periodic Low Byte  
 This bit field holds the LSB of the 16-bit Period register.

### 20.5.16 Compare n Register - Normal Mode

**Name:** CMPn  
**Offset:** 0x28 + n\*0x02 [n=0..2]  
**Reset:** 0x00  
**Property:** -

This register is continuously compared to the counter value. Normally, the outputs from the comparators are used to generate waveforms.

The TCA<sub>n</sub>.CMP<sub>n</sub> registers are updated with the buffer value from their corresponding TCA<sub>n</sub>.CMP<sub>n</sub>BUF register when an UPDATE condition occurs.

The TCA<sub>n</sub>.CMP<sub>n</sub>L and TCA<sub>n</sub>.CMP<sub>n</sub>H register pair represents the 16-bit value, TCA<sub>n</sub>.CMP<sub>n</sub>. The low byte [7:0] (suffix L) is accessible at the original offset. The high byte [15:8] (suffix H) can be accessed at offset + 0x01.

|        |           |     |     |     |     |     |     |     |
|--------|-----------|-----|-----|-----|-----|-----|-----|-----|
| Bit    | 15        | 14  | 13  | 12  | 11  | 10  | 9   | 8   |
|        | CMP[15:8] |     |     |     |     |     |     |     |
| Access | R/W       | R/W | R/W | R/W | R/W | R/W | R/W | R/W |
| Reset  | 0         | 0   | 0   | 0   | 0   | 0   | 0   | 0   |
|        |           |     |     |     |     |     |     |     |
| Bit    | 7         | 6   | 5   | 4   | 3   | 2   | 1   | 0   |
|        | CMP[7:0]  |     |     |     |     |     |     |     |
| Access | R/W       | R/W | R/W | R/W | R/W | R/W | R/W | R/W |
| Reset  | 0         | 0   | 0   | 0   | 0   | 0   | 0   | 0   |

**Bits 15:8 – CMP[15:8]** Compare High Byte  
 This bit field holds the MSB of the 16-bit Compare register.

**Bits 7:0 – CMP[7:0]** Compare Low Byte  
 This bit field holds the LSB of the 16-bit Compare register.

### 20.5.17 Period Buffer Register

**Name:** PERBUF  
**Offset:** 0x36  
**Reset:** 0xFFFF  
**Property:** -

This register serves as the buffer for the Period (TCAn.PER) register. Writing to this register from the CPU or UPDI will set the Period Buffer Valid (PERBV) bit in the TCAn.CTRLF register.

The TCAn.PERBUFL and TCAn.PERBUFH register pair represents the 16-bit value, TCAn.PERBUF. The low byte [7:0] (suffix L) is accessible at the original offset. The high byte [15:8] (suffix H) can be accessed at offset + 0x01.

| Bit    | 15           | 14  | 13  | 12  | 11  | 10  | 9   | 8   |
|--------|--------------|-----|-----|-----|-----|-----|-----|-----|
|        | PERBUF[15:8] |     |     |     |     |     |     |     |
| Access | R/W          | R/W | R/W | R/W | R/W | R/W | R/W | R/W |
| Reset  | 1            | 1   | 1   | 1   | 1   | 1   | 1   | 1   |
|        |              |     |     |     |     |     |     |     |
| Bit    | 7            | 6   | 5   | 4   | 3   | 2   | 1   | 0   |
|        | PERBUF[7:0]  |     |     |     |     |     |     |     |
| Access | R/W          | R/W | R/W | R/W | R/W | R/W | R/W | R/W |
| Reset  | 1            | 1   | 1   | 1   | 1   | 1   | 1   | 1   |

**Bits 15:8 – PERBUF[15:8]** Period Buffer High Byte  
 This bit field holds the MSB of the 16-bit Period Buffer register.

**Bits 7:0 – PERBUF[7:0]** Period Buffer Low Byte  
 This bit field holds the LSB of the 16-bit Period Buffer register.

### 20.5.18 Compare n Buffer Register

**Name:** CMPnBUF  
**Offset:** 0x38 + n\*0x02 [n=0..2]  
**Reset:** 0x00  
**Property:** -

This register serves as the buffer for the associated Compare n (TCAn.CMPn) register. Writing to this register from the CPU or UPDI will set the Compare Buffer valid (CMPnBV) bit in the TCAn.CTRLF register.

The TCAn.CMPnBUFL and TCAn.CMPnBUFH register pair represents the 16-bit value, TCAn.CMPnBUF. The low byte [7:0] (suffix L) is accessible at the original offset. The high byte [15:8] (suffix H) can be accessed at offset + 0x01.

|        |              |     |     |     |     |     |     |     |
|--------|--------------|-----|-----|-----|-----|-----|-----|-----|
| Bit    | 15           | 14  | 13  | 12  | 11  | 10  | 9   | 8   |
|        | CMPBUF[15:8] |     |     |     |     |     |     |     |
| Access | R/W          | R/W | R/W | R/W | R/W | R/W | R/W | R/W |
| Reset  | 0            | 0   | 0   | 0   | 0   | 0   | 0   | 0   |
|        |              |     |     |     |     |     |     |     |
| Bit    | 7            | 6   | 5   | 4   | 3   | 2   | 1   | 0   |
|        | CMPBUF[7:0]  |     |     |     |     |     |     |     |
| Access | R/W          | R/W | R/W | R/W | R/W | R/W | R/W | R/W |
| Reset  | 0            | 0   | 0   | 0   | 0   | 0   | 0   | 0   |

**Bits 15:8 – CMPBUF[15:8] Compare High Byte**

This bit field holds the MSB of the 16-bit Compare Buffer register.

**Bits 7:0 – CMPBUF[7:0] Compare Low Byte**

This bit field holds the LSB of the 16-bit Compare Buffer register.

## 20.6 Register Summary - Split Mode

| Offset | Name                     | Bit Pos. | 7         | 6       | 5       | 4       | 3        | 2           | 1          | 0       |  |
|--------|--------------------------|----------|-----------|---------|---------|---------|----------|-------------|------------|---------|--|
| 0x00   | <a href="#">CTRLA</a>    | 7:0      |           |         |         |         |          | CLKSEL[2:0] |            | ENABLE  |  |
| 0x01   | <a href="#">CTRLB</a>    | 7:0      |           | HCMP2EN | HCMP1EN | HCMP0EN |          | LCMP2EN     | LCMP1EN    | LCMP0EN |  |
| 0x02   | <a href="#">CTRLC</a>    | 7:0      |           | HCMP2OV | HCMP1OV | HCMP0OV |          | LCMP2OV     | LCMP1OV    | LCMP0OV |  |
| 0x03   | <a href="#">CTRLD</a>    | 7:0      |           |         |         |         |          |             |            | SPLITM  |  |
| 0x04   | <a href="#">CTRLECLR</a> | 7:0      |           |         |         |         | CMD[1:0] |             | CMDEN[1:0] |         |  |
| 0x05   | <a href="#">CTRLESET</a> | 7:0      |           |         |         |         | CMD[1:0] |             | CMDEN[1:0] |         |  |
| 0x06   | Reserved                 |          |           |         |         |         |          |             |            |         |  |
| ...    |                          |          |           |         |         |         |          |             |            |         |  |
| 0x09   |                          |          |           |         |         |         |          |             |            |         |  |
| 0x0A   | <a href="#">INTCTRL</a>  | 7:0      |           | LCMP2   | LCMP1   | LCMP0   |          |             | HUNF       | LUNF    |  |
| 0x0B   | <a href="#">INTFLAGS</a> | 7:0      |           | LCMP2   | LCMP1   | LCMP0   |          |             | HUNF       | LUNF    |  |
| 0x0C   | Reserved                 |          |           |         |         |         |          |             |            |         |  |
| ...    |                          |          |           |         |         |         |          |             |            |         |  |
| 0x0D   |                          |          |           |         |         |         |          |             |            |         |  |
| 0x0E   | <a href="#">DBGCTRL</a>  | 7:0      |           |         |         |         |          |             |            | DBGRUN  |  |
| 0x0F   | Reserved                 |          |           |         |         |         |          |             |            |         |  |
| ...    |                          |          |           |         |         |         |          |             |            |         |  |
| 0x1F   |                          |          |           |         |         |         |          |             |            |         |  |
| 0x20   | <a href="#">LCNT</a>     | 7:0      | LCNT[7:0] |         |         |         |          |             |            |         |  |
| 0x21   | <a href="#">HCNT</a>     | 7:0      | HCNT[7:0] |         |         |         |          |             |            |         |  |
| 0x22   | Reserved                 |          |           |         |         |         |          |             |            |         |  |
| ...    |                          |          |           |         |         |         |          |             |            |         |  |
| 0x25   |                          |          |           |         |         |         |          |             |            |         |  |
| 0x26   | <a href="#">LPER</a>     | 7:0      | LPER[7:0] |         |         |         |          |             |            |         |  |
| 0x27   | <a href="#">HPER</a>     | 7:0      | HPER[7:0] |         |         |         |          |             |            |         |  |
| 0x28   | <a href="#">LCMP0</a>    | 7:0      | LCMP[7:0] |         |         |         |          |             |            |         |  |
| 0x29   | <a href="#">HCMP0</a>    | 7:0      | HCMP[7:0] |         |         |         |          |             |            |         |  |
| 0x2A   | <a href="#">LCMP1</a>    | 7:0      | LCMP[7:0] |         |         |         |          |             |            |         |  |
| 0x2B   | <a href="#">HCMP1</a>    | 7:0      | HCMP[7:0] |         |         |         |          |             |            |         |  |
| 0x2C   | <a href="#">LCMP2</a>    | 7:0      | LCMP[7:0] |         |         |         |          |             |            |         |  |
| 0x2D   | <a href="#">HCMP2</a>    | 7:0      | HCMP[7:0] |         |         |         |          |             |            |         |  |

## 20.7 Register Description - Split Mode



### 20.7.1 Control A - Split Mode

**Name:** CTRLA  
**Offset:** 0x00  
**Reset:** 0x00  
**Property:** -

|        |   |   |   |   |             |     |     |        |
|--------|---|---|---|---|-------------|-----|-----|--------|
|        | 7 | 6 | 5 | 4 | 3           | 2   | 1   | 0      |
|        |   |   |   |   | CLKSEL[2:0] |     |     | ENABLE |
| Access |   |   |   |   | R/W         | R/W | R/W | R/W    |
| Reset  |   |   |   |   | 0           | 0   | 0   | 0      |

#### Bits 3:1 – CLKSEL[2:0] Clock Select

This bit field selects the clock frequency for the timer/counter.

| Value | Name    | Description                   |
|-------|---------|-------------------------------|
| 0x0   | DIV1    | $f_{TCA} = f_{CLK\_PER}$      |
| 0x1   | DIV2    | $f_{TCA} = f_{CLK\_PER}/2$    |
| 0x2   | DIV4    | $f_{TCA} = f_{CLK\_PER}/4$    |
| 0x3   | DIV8    | $f_{TCA} = f_{CLK\_PER}/8$    |
| 0x4   | DIV16   | $f_{TCA} = f_{CLK\_PER}/16$   |
| 0x5   | DIV64   | $f_{TCA} = f_{CLK\_PER}/64$   |
| 0x6   | DIV256  | $f_{TCA} = f_{CLK\_PER}/256$  |
| 0x7   | DIV1024 | $f_{TCA} = f_{CLK\_PER}/1024$ |

#### Bit 0 – ENABLE Enable

| Value | Description                |
|-------|----------------------------|
| 0     | The peripheral is disabled |
| 1     | The peripheral is enabled  |

**20.7.2 Control B - Split Mode**

**Name:** CTRLB  
**Offset:** 0x01  
**Reset:** 0x00  
**Property:** -

|        |   |         |         |         |   |         |         |         |
|--------|---|---------|---------|---------|---|---------|---------|---------|
|        | 7 | 6       | 5       | 4       | 3 | 2       | 1       | 0       |
|        |   | HCMP2EN | HCMP1EN | HCMP0EN |   | LCMP2EN | LCMP1EN | LCMP0EN |
| Access |   | R/W     | R/W     | R/W     |   | R/W     | R/W     | R/W     |
| Reset  |   | 0       | 0       | 0       |   | 0       | 0       | 0       |

**Bit 6 – HCMP2EN** High byte Compare 2 Enable  
 See HCMP0EN.

**Bit 5 – HCMP1EN** High byte Compare 1 Enable  
 See HCMP0EN.

**Bit 4 – HCMP0EN** High byte Compare 0 Enable  
 Setting the HCMPnEN bit in the FRQ or PWM Waveform Generation mode of operation will override the port output register for the corresponding WO[n+3] pin.

**Bit 2 – LCMP2EN** Low byte Compare 2 Enable  
 See LCMP0EN.

**Bit 1 – LCMP1EN** Low byte Compare 1 Enable  
 See LCMP0EN.

**Bit 0 – LCMP0EN** Low byte Compare 0 Enable  
 Setting the LCMPnEN bit in the FRQ or PWM Waveform Generation mode of operation will override the port output register for the corresponding WOn pin.

### 20.7.3 Control C - Split Mode

**Name:** CTRLC  
**Offset:** 0x02  
**Reset:** 0x00  
**Property:** -

|        | 7 | 6   | 5   | 4   | 3 | 2   | 1   | 0   |
|--------|---|-----|-----|-----|---|-----|-----|-----|
| Access |   | R/W | R/W | R/W |   | R/W | R/W | R/W |
| Reset  |   | 0   | 0   | 0   |   | 0   | 0   | 0   |

**Bit 6 – HCMP2OV** High byte Compare 2 Output Value  
See HCMP0OV.

**Bit 5 – HCMP1OV** High byte Compare 1 Output Value  
See HCMP0OV.

**Bit 4 – HCMP0OV** High byte Compare 0 Output Value  
The HCMPnOV bit allows direct access to the output compare value of the waveform generator when the timer/counter is not enabled. This is used to set or clear the WO[n+3] output value when the timer/counter is not running.

**Bit 2 – LCMP2OV** Low byte Compare 2 Output Value  
See LCMP0OV.

**Bit 1 – LCMP1OV** Low byte Compare 1 Output Value  
See LCMP0OV.

**Bit 0 – LCMP0OV** Low byte Compare 0 Output Value  
The LCMPnOV bit allows direct access to the output compare value of the waveform generator when the timer/counter is not enabled. This is used to set or clear the WOn output value when the timer/counter is not running.

**Note:** When the output is connected to the pad, overriding these bits will not work unless the xCMPnEN bits in the TCAn.CTRLB register have been set. If the output is connected to CCL, the xCMPnEN bits in the TCAn.CTRLB register are bypassed.

**20.7.4 Control D - Split Mode**

**Name:** CTRLD  
**Offset:** 0x03  
**Reset:** 0x00  
**Property:** -

|        |   |   |   |   |   |   |   |        |
|--------|---|---|---|---|---|---|---|--------|
| Bit    | 7 | 6 | 5 | 4 | 3 | 2 | 1 | 0      |
|        |   |   |   |   |   |   |   | SPLITM |
| Access |   |   |   |   |   |   |   | R/W    |
| Reset  |   |   |   |   |   |   |   | 0      |

**Bit 0 – SPLITM** Enable Split Mode

This bit sets the timer/counter in Split mode operation and will work as two 8-bit timer/counters. The register map will change compared to the normal 16-bit mode.

### 20.7.5 Control Register E Clear - Split Mode

**Name:** CTRLECLR  
**Offset:** 0x04  
**Reset:** 0x00  
**Property:** -

Use this register instead of a Read-Modify-Write (RMW) to clear individual bits by writing a '1' to its bit location.

|        |   |   |   |   |          |     |            |     |
|--------|---|---|---|---|----------|-----|------------|-----|
|        | 7 | 6 | 5 | 4 | 3        | 2   | 1          | 0   |
|        |   |   |   |   | CMD[1:0] |     | CMDEN[1:0] |     |
| Access |   |   |   |   | R/W      | R/W | R/W        | R/W |
| Reset  |   |   |   |   | 0        | 0   | 0          | 0   |

#### Bits 3:2 – CMD[1:0] Command

This bit field is used for software control of restart and reset of the timer/counter. The command bit field is always read as '0'.

| Value | Name    | Description  |
|-------|---------|--|
| 0x0   | NONE    | No command   |
| 0x1   | -       | Reserved   |
| 0x2   | RESTART | Force restart  |
| 0x3   | RESET   | Force hard Reset (ignored if the timer/counter is enabled) |

#### Bits 1:0 – CMDEN[1:0] Command Enable

This bit field configures what timer/counters the command given by the CMD-bits will be applied to.

| Value | Name | Description  |
|-------|------|--|
| 0x0   | NONE | None   |
| 0x1   | -    | Reserved   |
| 0x2   | -    | Reserved   |
| 0x3   | BOTH | Command (CMD) will be applied to both low byte and high byte timer/counter |

### 20.7.6 Control Register E Set - Split Mode

**Name:** CTRLRESET  
**Offset:** 0x05  
**Reset:** 0x00  
**Property:** -

Use this register instead of a Read-Modify-Write (RMW) to set individual bits by writing a '1' to its bit location.

|        |   |   |   |   |          |     |            |     |
|--------|---|---|---|---|----------|-----|------------|-----|
|        | 7 | 6 | 5 | 4 | 3        | 2   | 1          | 0   |
|        |   |   |   |   | CMD[1:0] |     | CMDEN[1:0] |     |
| Access |   |   |   |   | R/W      | R/W | R/W        | R/W |
| Reset  |   |   |   |   | 0        | 0   | 0          | 0   |

#### Bits 3:2 – CMD[1:0] Command

This bit field is used for software control of restart and reset of the timer/counter. The command bit field is always read as '0'. The CMD bit field must be used together with the Command Enable (CMDEN) bits. Using the RESET command requires that both low byte and high byte timer/counter are selected with CMDEN.

| Value | Name    | Description  |
|-------|---------|--|
| 0x0   | NONE    | No command   |
| 0x1   | -       | Reserved   |
| 0x2   | RESTART | Force restart  |
| 0x3   | RESET   | Force hard Reset (ignored if the timer/counter is enabled) |

#### Bits 1:0 – CMDEN[1:0] Command Enable

This bit field configures what timer/counters the command given by the CMD-bits will be applied to.

| Value | Name | Description  |
|-------|------|--|
| 0x0   | NONE | None   |
| 0x1   | -    | Reserved   |
| 0x2   | -    | Reserved   |
| 0x3   | BOTH | Command (CMD) will be applied to both low byte and high byte timer/counter |

**20.7.7 Interrupt Control Register - Split Mode**

**Name:** INTCTRL  
**Offset:** 0x0A  
**Reset:** 0x00  
**Property:** -

|        |   |       |       |       |   |   |      |      |
|--------|---|-------|-------|-------|---|---|------|------|
|        | 7 | 6     | 5     | 4     | 3 | 2 | 1    | 0    |
|        |   | LCMP2 | LCMP1 | LCMP0 |   |   | HUNF | LUNF |
| Access |   | R/W   | R/W   | R/W   |   |   | R/W  | R/W  |
| Reset  |   | 0     | 0     | 0     |   |   | 0    | 0    |

**Bit 6 – LCMP2** Low byte Compare Channel 2 Interrupt Enable  
 See LCMP0.

**Bit 5 – LCMP1** Low byte Compare Channel 1 Interrupt Enable  
 See LCMP0.

**Bit 4 – LCMP0** Low byte Compare Channel 0 Interrupt Enable  
 Writing the LCMPn bit to '1' enables the low byte Compare Channel n interrupt.

**Bit 1 – HUNF** High byte Underflow Interrupt Enable  
 Writing the HUNF bit to '1' enables the high byte underflow interrupt.

**Bit 0 – LUNF** Low byte Underflow Interrupt Enable  
 Writing the LUNF bit to '1' enables the low byte underflow interrupt.

### 20.7.8 Interrupt Flag Register - Split Mode

**Name:** INTFLAGS  
**Offset:** 0x0B  
**Reset:** 0x00  
**Property:** -

|        |   |       |       |       |   |   |      |      |
|--------|---|-------|-------|-------|---|---|------|------|
|        | 7 | 6     | 5     | 4     | 3 | 2 | 1    | 0    |
| Access |   | LCMP2 | LCMP1 | LCMP0 |   |   | HUNF | LUNF |
| Reset  |   | R/W   | R/W   | R/W   |   |   | R/W  | R/W  |
|        |   | 0     | 0     | 0     |   |   | 0    | 0    |

**Bit 6 – LCMP2** Low byte Compare Channel 2 Interrupt Flag  
 See LCMP0 flag description.

**Bit 5 – LCMP1** Low byte Compare Channel 1 Interrupt Flag  
 See LCMP0 flag description.

**Bit 4 – LCMP0** Low byte Compare Channel 0 Interrupt Flag  
 The Low byte Compare Interrupt (LCMPn) flag is set on a compare match on the corresponding compare channel in the low byte timer.  
 For all modes of operation, the LCMPn flag will be set when a compare match occurs between the Low Byte Timer Counter (TCA<sub>n</sub>.LCNT) register and the corresponding Compare n (TCA<sub>n</sub>.LCMPn) register. The LCMPn flag will not be cleared automatically and has to be cleared by software. This is done by writing a '1' to its bit location.

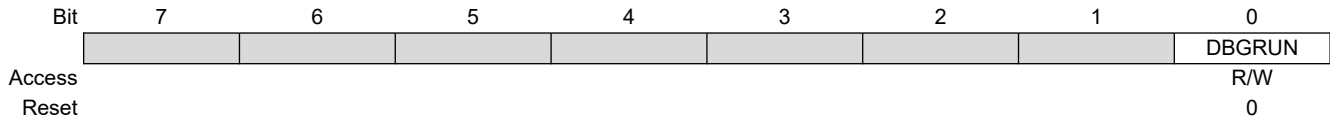
**Bit 1 – HUNF** High byte Underflow Interrupt Flag  
 This flag is set on a high byte timer BOTTOM (underflow) condition. HUNF is not automatically cleared and needs to be cleared by software. This is done by writing a '1' to its bit location.

**Bit 0 – LUNF** Low byte Underflow Interrupt Flag  
 This flag is set on a low byte timer BOTTOM (underflow) condition. LUNF is not automatically cleared and needs to be cleared by software. This is done by writing a '1' to its bit location.



**20.7.9 Debug Control Register - Split Mode**

**Name:** DBGCTRL  
**Offset:** 0x0E  
**Reset:** 0x00  
**Property:** -



**Bit 0 – DBGRUN** Run in Debug

| Value | Description  |
|-------|--|
| 0     | The peripheral is halted in Break Debug mode and ignores events                |
| 1     | The peripheral will continue to run in Break Debug mode when the CPU is halted |

**20.7.10 Low Byte Timer Counter Register - Split Mode**

**Name:** LCNT  
**Offset:** 0x20  
**Reset:** 0x00  
**Property:** -

The TCA<sub>n</sub>.LCNT register contains the counter value for the low byte timer. CPU and UPDI write access has priority over count, clear or reload of the counter.

|        |           |     |     |     |     |     |     |     |
|--------|-----------|-----|-----|-----|-----|-----|-----|-----|
| Bit    | 7         | 6   | 5   | 4   | 3   | 2   | 1   | 0   |
|        | LCNT[7:0] |     |     |     |     |     |     |     |
| Access | R/W       | R/W | R/W | R/W | R/W | R/W | R/W | R/W |
| Reset  | 0         | 0   | 0   | 0   | 0   | 0   | 0   | 0   |

**Bits 7:0 – LCNT[7:0]** Counter Value for Low Byte Timer  
This bit field defines the counter value of the low byte timer.

### 20.7.11 High Byte Timer Counter Register - Split Mode

**Name:** HCNT  
**Offset:** 0x21  
**Reset:** 0x00  
**Property:** -

The TCA<sub>n</sub>.HCNT register contains the counter value for the high byte timer. CPU and UPDI write access has priority over count, clear or reload of the counter.

| Bit    | 7         | 6   | 5   | 4   | 3   | 2   | 1   | 0   |
|--------|-----------|-----|-----|-----|-----|-----|-----|-----|
|        | HCNT[7:0] |     |     |     |     |     |     |     |
| Access | R/W       | R/W | R/W | R/W | R/W | R/W | R/W | R/W |
| Reset  | 0         | 0   | 0   | 0   | 0   | 0   | 0   | 0   |

**Bits 7:0 – HCNT[7:0]** Counter Value for High Byte Timer  
 This bit field defines the counter value in high byte timer.

**20.7.12 Low Byte Timer Period Register - Split Mode**

**Name:** LPER  
**Offset:** 0x26  
**Reset:** 0xFF  
**Property:** -

The TCAn.LPER register contains the TOP value for the low byte timer.

|        |           |     |     |     |     |     |     |     |
|--------|-----------|-----|-----|-----|-----|-----|-----|-----|
|        | 7         | 6   | 5   | 4   | 3   | 2   | 1   | 0   |
|        | LPER[7:0] |     |     |     |     |     |     |     |
| Access | R/W       | R/W | R/W | R/W | R/W | R/W | R/W | R/W |
| Reset  | 1         | 1   | 1   | 1   | 1   | 1   | 1   | 1   |

**Bits 7:0 – LPER[7:0]** Period Value Low Byte Timer  
This bit field holds the TOP value for the low byte timer.

### 20.7.13 High Byte Period Register - Split Mode

**Name:** HPER  
**Offset:** 0x27  
**Reset:** 0xFF  
**Property:** -

The TCA<sub>n</sub>.HPER register contains the TOP value for the high byte timer.

|        |           |     |     |     |     |     |     |     |
|--------|-----------|-----|-----|-----|-----|-----|-----|-----|
| Bit    | 7         | 6   | 5   | 4   | 3   | 2   | 1   | 0   |
|        | HPER[7:0] |     |     |     |     |     |     |     |
| Access | R/W       | R/W | R/W | R/W | R/W | R/W | R/W | R/W |
| Reset  | 1         | 1   | 1   | 1   | 1   | 1   | 1   | 1   |

**Bits 7:0 – HPER[7:0]** Period Value High Byte Timer  
 This bit field holds the TOP value for the high byte timer.

### 20.7.14 Compare Register n For Low Byte Timer - Split Mode

**Name:** LCMPn  
**Offset:** 0x28 + n\*0x02 [n=0..2]  
**Reset:** 0x00  
**Property:** -

The TCAn.LCMPn register represents the compare value of Compare Channel n for the low byte timer. This register is continuously compared to the counter value of the low byte timer, TCAn.LCNT. Normally, the outputs from the comparators are then used to generate waveforms.

|        |           |     |     |     |     |     |     |     |
|--------|-----------|-----|-----|-----|-----|-----|-----|-----|
| Bit    | 7         | 6   | 5   | 4   | 3   | 2   | 1   | 0   |
|        | LCMP[7:0] |     |     |     |     |     |     |     |
| Access | R/W       | R/W | R/W | R/W | R/W | R/W | R/W | R/W |
| Reset  | 0         | 0   | 0   | 0   | 0   | 0   | 0   | 0   |

**Bits 7:0 – LCMP[7:0]** Compare Value of Channel n  
 This bit field holds the compare value of channel n that is compared to TCAn.LCNT.

**20.7.15 High Byte Compare Register n - Split Mode**

**Name:** HCMPn  
**Offset:** 0x29 + n\*0x02 [n=0..2]  
**Reset:** 0x00  
**Property:** -

The TCAn.HCMPn register represents the compare value of Compare Channel n for the high byte timer. This register is continuously compared to the counter value of the high byte timer, TCAn.HCNT. Normally, the outputs from the comparators are then used to generate waveforms.

|        |           |     |     |     |     |     |     |     |
|--------|-----------|-----|-----|-----|-----|-----|-----|-----|
| Bit    | 7         | 6   | 5   | 4   | 3   | 2   | 1   | 0   |
|        | HCMP[7:0] |     |     |     |     |     |     |     |
| Access | R/W       | R/W | R/W | R/W | R/W | R/W | R/W | R/W |
| Reset  | 0         | 0   | 0   | 0   | 0   | 0   | 0   | 0   |

**Bits 7:0 – HCMP[7:0]** Compare Value of Channel n  
 This bit field holds the compare value of channel n that is compared to TCAn.HCNT.

## 21. TCB - 16-Bit Timer/Counter Type B

### 21.1 Features

- 16-Bit Counter Operation Modes:
  - Periodic interrupt
  - Time-out check
  - Input capture
    - On event
    - Frequency measurement
    - Pulse-width measurement
    - Frequency and pulse-width measurement
  - Single-shot
  - 8-bit Pulse-Width Modulation (PWM)
- Noise Canceler on Event Input
- Synchronize Operation with TCAn

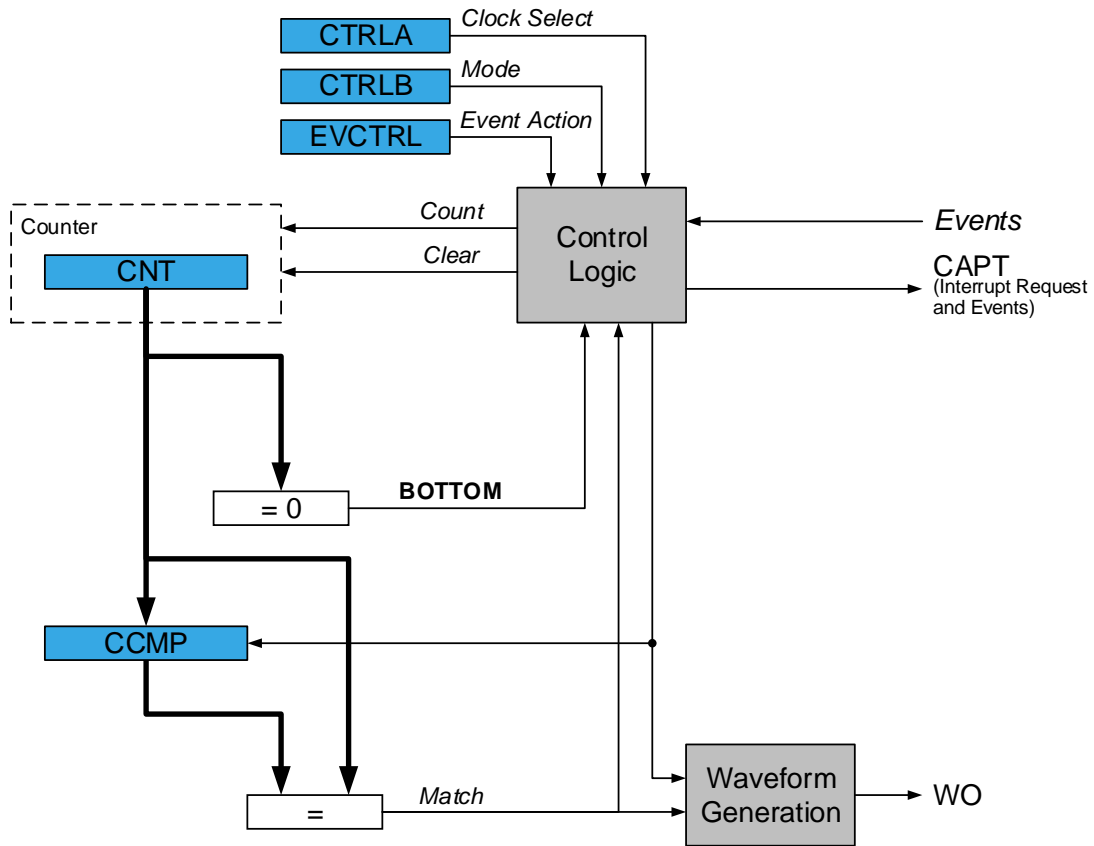
### 21.2 Overview

The capabilities of the 16-bit Timer/Counter type B (TCB) include frequency and waveform generation and input capture on event with time and frequency measurement of digital signals. The TCB consists of a base counter and control logic that can be set in one of eight different modes, each mode providing unique functionality. The base counter is clocked by the peripheral clock with optional prescaling.



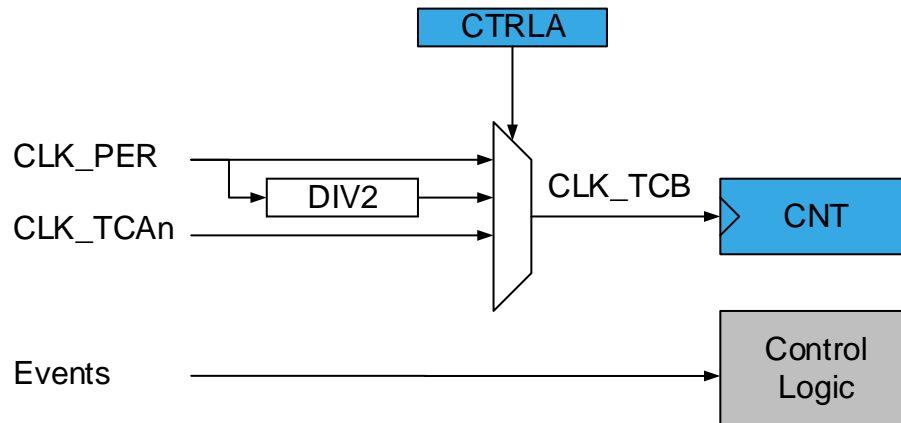
21.2.1 Block Diagram

Figure 21-1. Timer/Counter Type B Block



The timer/counter can be clocked from the Peripheral Clock (CLK\_PER) or a 16-bit Timer/Counter type A (CLK\_TCA<sub>n</sub>).

Figure 21-2. Timer/Counter Clock Logic



The Clock Select (CLKSEL) bit field in the Control A (TCBn.CTRLA) register selects one of the prescaler outputs directly as the clock (CLK\_TCB) input.

Setting the timer/counter to use the clock from a TCAn allows the timer/counter to run in sync with that TCAn.

By using the EVSYS, any event source, such as an external clock signal on any I/O pin, may be used as a control logic input. When an event action controlled operation is used, the clock selection must be set to use an event channel as the counter input.

### 21.2.2 Signal Description

| Signal | Description                 | Type            |
|--------|-----------------------------|-----------------|
| WO     | Digital Asynchronous Output | Waveform Output |

## 21.3 Functional Description

### 21.3.1 Definitions

The following definitions are used throughout the documentation:

**Table 21-1. Timer/Counter Definitions**

| Name   | Description  |
|--------|--|
| BOTTOM | The counter reaches BOTTOM when it becomes 0x0000  |
| MAX    | The counter reaches the maximum when it becomes 0xFFFF                                   |
| TOP    | The counter reaches TOP when it becomes equal to the highest value in the count sequence |
| CNT    | Count (TCBn.CNT) register value  |
| CCMP   | Capture/Compare (TCBn.CCMP) register value   |

**Note:** In general, the term ‘timer’ is used when the timer/counter is counting periodic clock ticks. The term ‘counter’ is used when the input signal has sporadic or irregular ticks.

### 21.3.2 Initialization

By default, the TCB is in Periodic Interrupt mode. Follow these steps to start using it:

1. Write a TOP value to the Compare/Capture (TCBn.CCMP) register.
2. Optional: Write the Compare/Capture Output Enable (CCMPEN) bit in the Control B (TCBn.CTRLB) register to ‘1’. This will make the waveform output available on the corresponding pin, overriding the value in the corresponding PORT output register.
3. Enable the counter by writing a ‘1’ to the ENABLE bit in the Control A (TCBn.CTRLA) register. The counter will start counting clock ticks according to the prescaler setting in the Clock Select (CLKSEL) bit field in the Control A (TCBn.CTRLA) register.
4. The counter value can be read from the Count (TCBn.CNT) register. The peripheral will generate a CAPT interrupt and event when the CNT value reaches TOP.
  - 4.1. If the Compare/Capture register is modified to a value lower than the current Count register, the peripheral will count to MAX and wrap around.

### 21.3.3 Operation

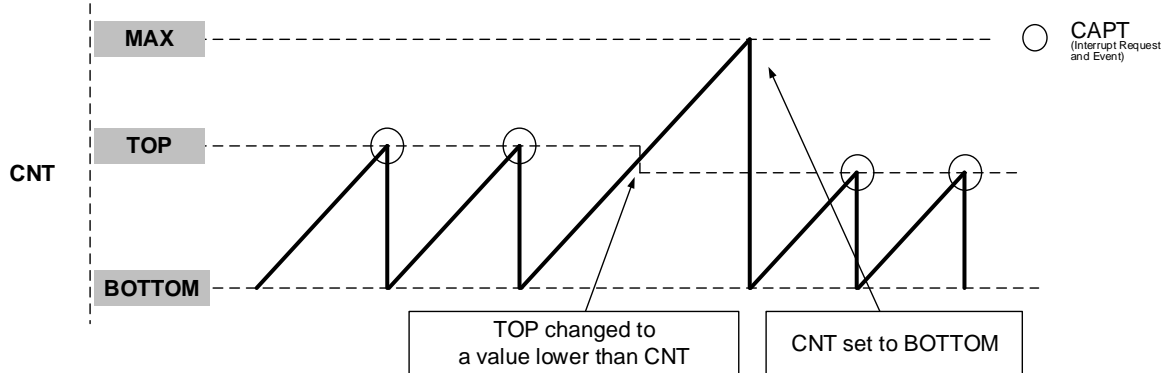
#### 21.3.3.1 Modes

The timer can be configured to run in one of the eight different modes described in the sections below. The event pulse needs to be longer than one system clock cycle to ensure edge detection.

**21.3.3.1.1 Periodic Interrupt Mode**

In the Periodic Interrupt mode, the counter counts to the capture value and restarts from BOTTOM. A CAPT interrupt and event is generated when the counter is equal to TOP. If TOP is updated to a value lower than count upon reaching MAX, the counter restarts from BOTTOM.

**Figure 21-3. Periodic Interrupt Mode**

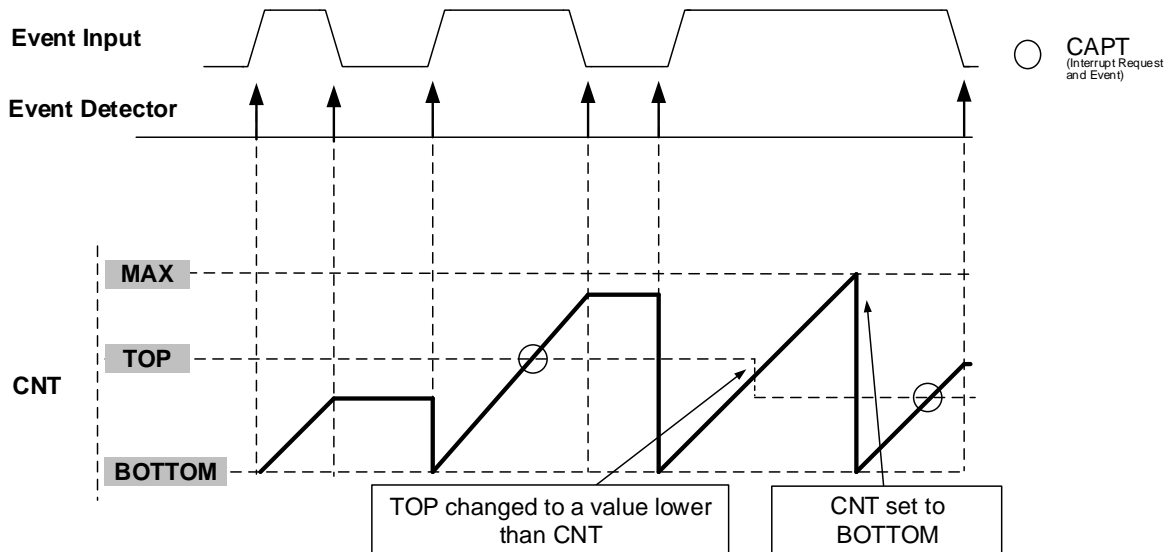


**21.3.3.1.2 Time-Out Check Mode**

In the Time-Out Check mode, the peripheral starts counting on the first signal edge and stops on the next signal edge detected on the event input channel. Start or Stop edge is determined by the Event Edge (EDGE) bit in the Event Control (TCBn.EVCTRL) register. If the Count (TCBn.CNT) register reaches TOP before the second edge, a CAPT interrupt and event will be generated. In Freeze state, after a Stop edge is detected, the counter will restart on a new Start edge. If TOP is updated to a value lower than the Count (TCBn.CNT) register upon reaching MAX the counter restarts from BOTTOM. Reading the Count (TCBn.CNT) register or Compare/Capture (TCBn.CCMP) register, or writing the Run (RUN) bit in the Status (TCBn.STATUS) register in Freeze state will have no effect.

This mode requires TCB to be configured as an event user and is explained in the Events section.

**Figure 21-4. Time-Out Check Mode**



**21.3.3.1.3 Input Capture on Event Mode**

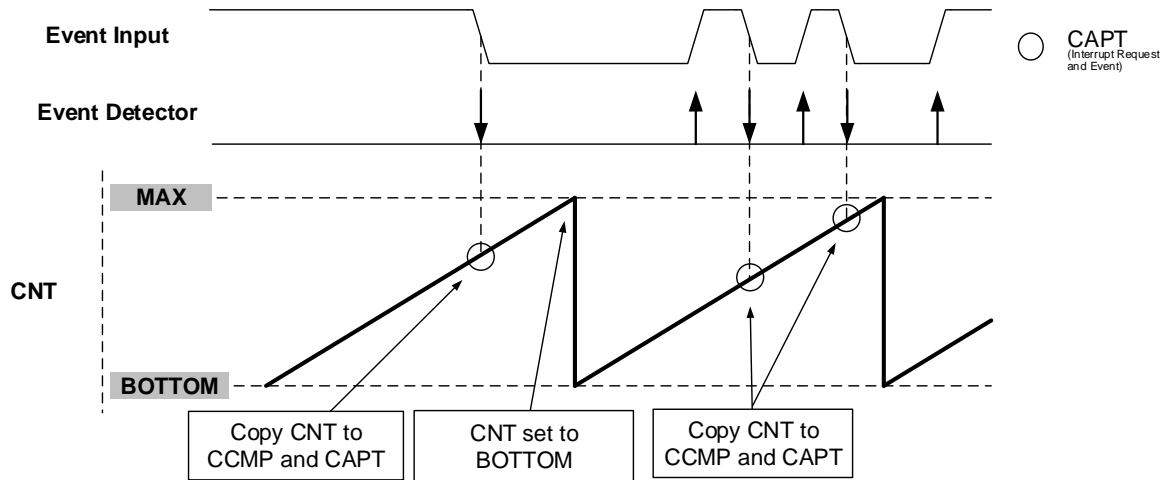
In the Input Capture on Event mode, the counter will count from BOTTOM to MAX continuously. When an event is detected, the Count (TCBn.CNT) register value is transferred to the Compare/Capture (TCBn.CCMP) register, and a

CAPT interrupt and event is generated. The Event edge detector that can be configured to trigger a capture on either rising or falling edges.

This mode requires TCB to be configured as an event user and is explained in the Events section.

The figure below shows the input capture unit configured to capture on the falling edge of the event input signal. The CAPT Interrupt flag is automatically cleared after the low byte of the Compare/Capture (TCBn.CCMP) register has been read.

**Figure 21-5. Input Capture on Event**



**Important:** It is recommended to write 0x0000 to the Count (TCBn.CNT) register when entering this mode from any other mode.

### 21.3.3.1.4 Input Capture Frequency Measurement Mode

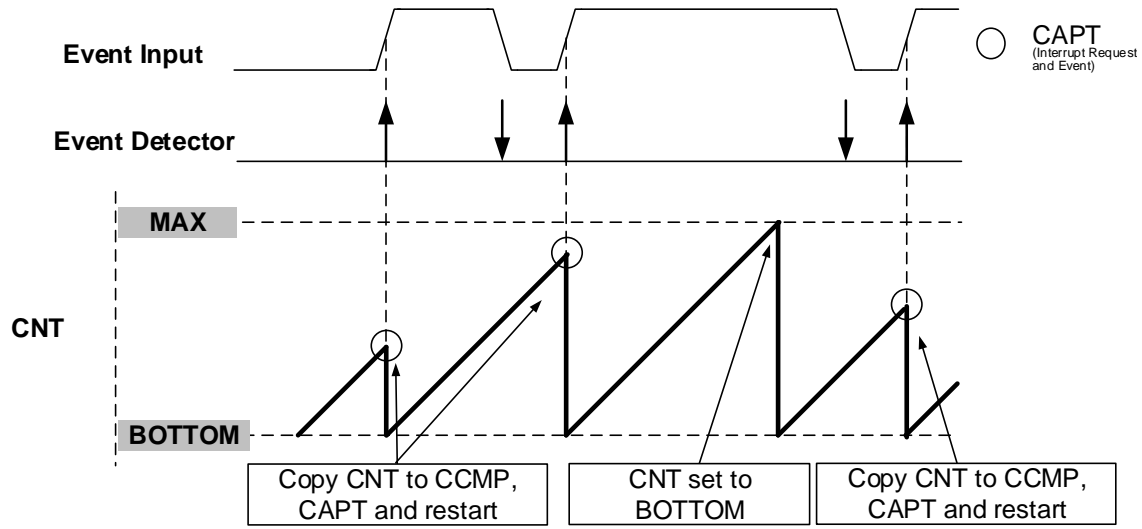
In the Input Capture Frequency Measurement mode, the TCB captures the counter value and restarts on either a positive or negative edge of the event input signal.

The CAPT Interrupt flag is automatically cleared after the low byte of the Compare/Capture (TCBn.CCMP) register has been read.

The figure below illustrates this mode when configured to act on the rising edge.

This mode requires TCB to be configured as an event user and is explained in the Events section.

**Figure 21-6. Input Capture Frequency Measurement**

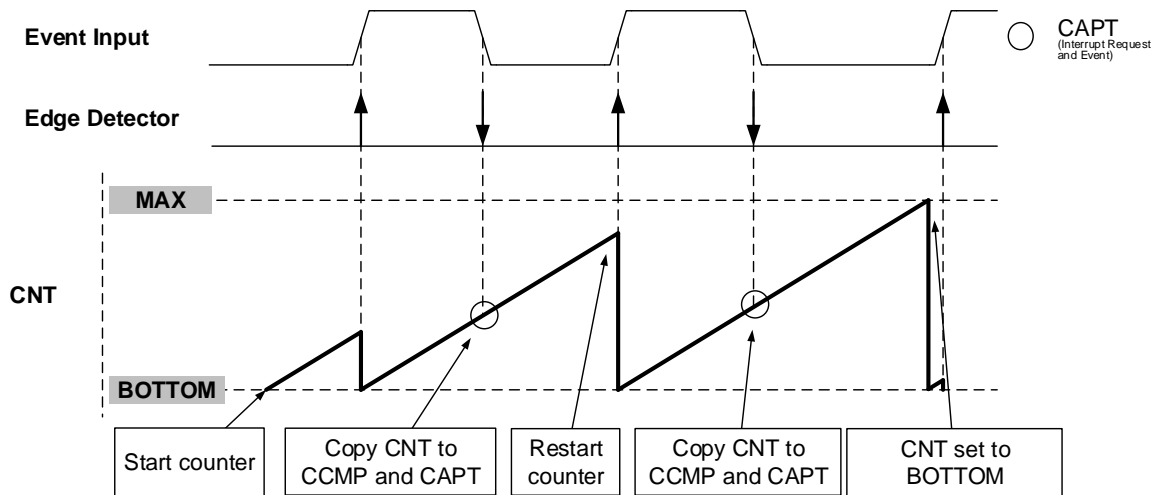


**21.3.3.1.5 Input Capture Pulse-Width Measurement Mode**

In the Input Capture Pulse-Width Measurement mode, the input capture pulse-width measurement will restart the counter on a positive edge and capture on the next falling edge before an interrupt request is generated. The CAPT Interrupt flag is automatically cleared after the low byte of the Compare/Capture (TCBn.CCMP) register has been read. The timer will automatically switch between rising and falling edge detection, but a minimum edge separation of two clock cycles is required for correct behavior.

This mode requires TCB to be configured as an event user and is explained in the Events section.

**Figure 21-7. Input Capture Pulse-Width Measurement**



**21.3.3.1.6 Input Capture Frequency and Pulse-Width Measurement Mode**

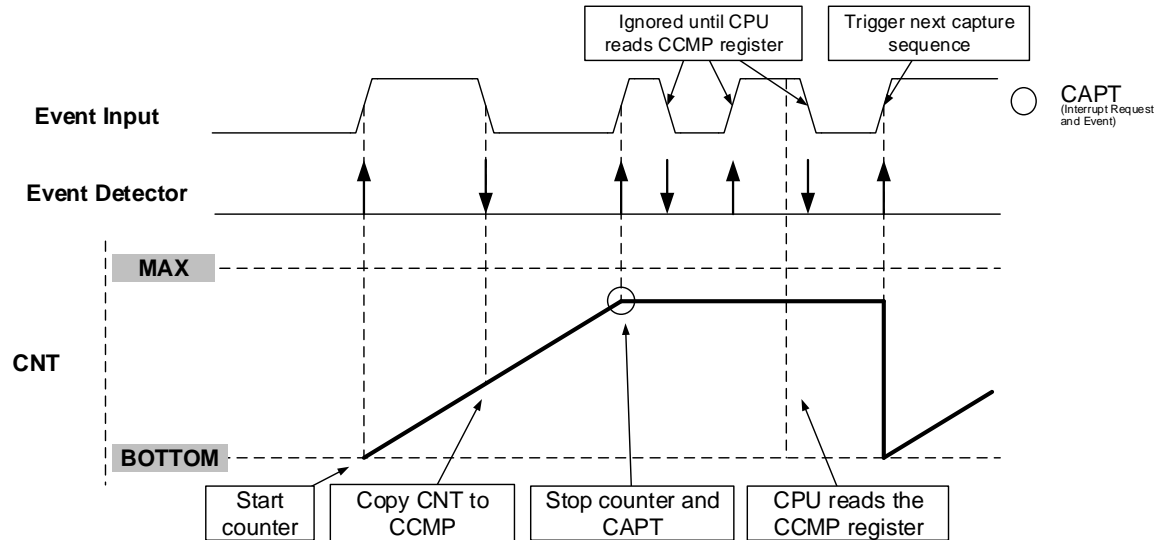
In the Input Capture Frequency and Pulse-Width Measurement mode, the timer will start counting when a positive edge is detected on the event input signal. The count value is captured on the following falling edge. The counter stops when the second rising edge of the event input signal is detected, which will set the interrupt flag.

The CAPT Interrupt flag is automatically cleared after the low byte of the Compare/Capture (TCBn.CCMP) register has been read, and the timer/counter is ready for a new capture sequence. Therefore, the Count (TCBn.CNT)

register must be read before the Compare/Capture (TCBn.CCMP) register since it is reset to BOTTOM at the next positive edge of the event input signal.

This mode requires TCB to be configured as an event user and is explained in the Events section.

**Figure 21-8. Input Capture Frequency and Pulse-Width Measurement**



### 21.3.3.1.7 Single-Shot Mode

The Single-Shot mode can be used to generate a pulse with a duration defined by the Compare (TCBn.CCMP) register every time a rising or falling edge is observed on a connected event channel.

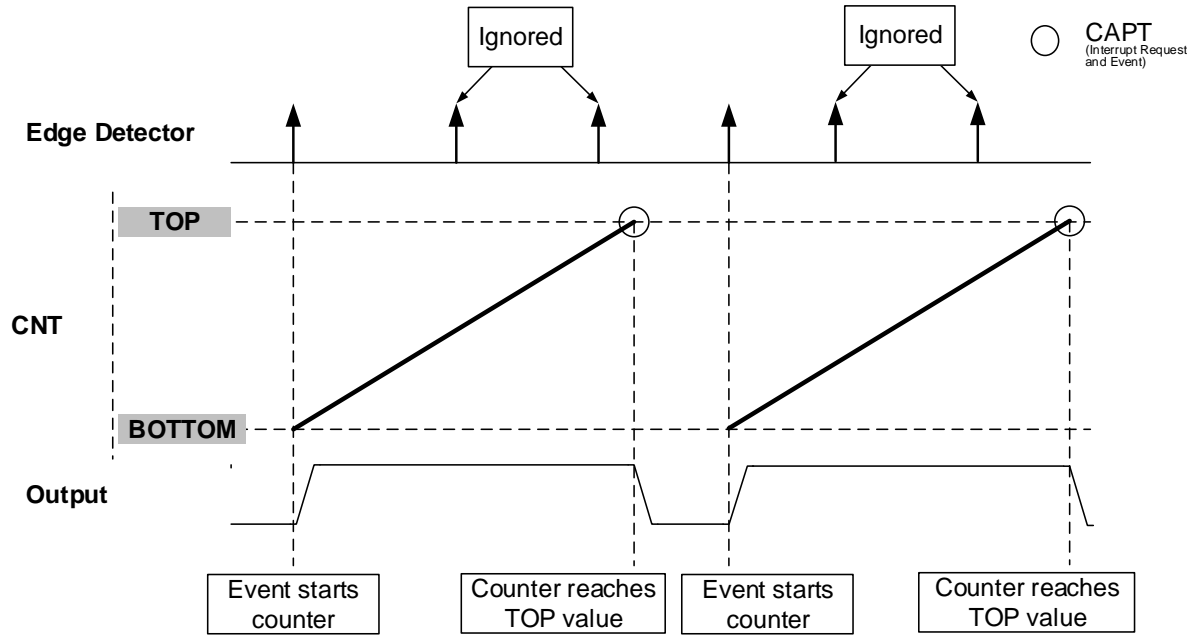
When the counter is stopped, the output pin is driven to low. If an event is detected on the connected event channel, the timer will reset and start counting from BOTTOM to TOP while driving its output high. The RUN bit in the Status (TCBn.STATUS) register can be read to see if the counter is counting or not. When the Counter register reaches the CCMP register value, the counter will stop, and the output pin will go low for at least one prescaler cycle. A new event arriving during this time will be ignored. There is a two clock-cycle delay from when the event is received until the output is set high. When the EDGE bit of the TCB.EVCTRL register is written to '1', any edge can trigger the start of the counter. If the EDGE bit is '0', only positive edges trigger the start.

The counter will start counting as soon as the module is enabled, even without triggering an event. This is prevented by writing TOP to the Counter register. Similar behavior is seen if the Event Edge (EDGE) bit in the Event Control (TCBn.EVCTRL) register is '1' while the module is enabled. Writing TOP to the Counter register prevents this as well.

If the Event Asynchronous (ASYNC) bit in the Control B (TCBn.CTRLB) register is written to '1', the timer will react asynchronously to an incoming event. An edge on the event will immediately cause the output signal to be set. The counter will still start counting two clock cycles after the event is received.

This mode requires TCB to be configured as an event user and is explained in the Events section.

Figure 21-9. Single-Shot Mode

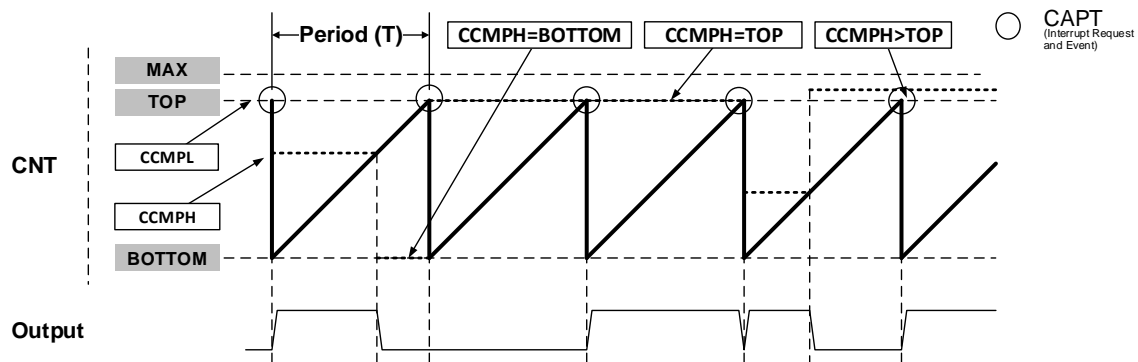


### 21.3.3.1.8 8-Bit PWM Mode

The TCB can be configured to run in 8-bit PWM mode, where each of the register pairs in the 16-bit Compare/Capture (TCBn.CCMPH and TCBn.CCMPL) register are used as individual Compare registers. The period (T) is controlled by CCMPL, while CCMPH controls the duty cycle of the waveform. The counter will continuously count from BOTTOM to CCMPL, and the output will be set at BOTTOM and cleared when the counter reaches CCMPH.

CCMPH is the number of cycles for which the output will be driven high. CCMPL+1 is the period of the output pulse.

Figure 21-10. 8-Bit PWM Mode



### 21.3.3.2 Output

Timer synchronization and output logic level are dependent on the selected Timer Mode (CNTMODE) bit field in Control B (TCBn.CTRLB) register. In Single-Shot mode, the timer/counter can be configured so that the signal generation happens asynchronously to an incoming event (ASYNC = 1 in TCBn.CTRLB). The output signal is then set immediately at the incoming event instead of being synchronized to the TCB clock. Even though the output is immediately set, it will take two to three CLK\_TCB cycles before the counter starts counting.

Writing the Compare/Capture Output Enable (CCMPEN) bit in TCBn.CTRLB to '1' enables the waveform output, which will make the waveform output available on the corresponding pin, overriding the value in the corresponding PORT output register.

The different configurations and their impact on the output are listed in the table below.

**Table 21-2. Output Configuration**

| CCMPEN | CNTMODE          | ASYNC          | Output   |
|--------|------------------|----------------|--|
| 1      | Single-Shot mode | 0              | The output is high when the <u>counter starts</u> , and the output is low when the counter stops |
|        |                  | 1              | The output is high when the <u>event arrives</u> , and the output is low when the counter stops  |
|        | 8-bit PWM mode   | Not applicable | 8-bit PWM mode   |
|        | Other modes      | Not applicable | The output initial level sets the CCMPINIT bit in the TCBn.CTRLB register                        |
| 0      | Not applicable   | Not applicable | No output  |

It is not recommended to change modes while the peripheral is enabled, as this can produce an unpredictable output. There is a possibility that an interrupt flag is set during the timer configuration. It is recommended to clear the Timer/Counter Interrupt Flags (TCBn.INTFLAGS) register after configuring the peripheral.

### 21.3.3.3 Noise Canceler

The Noise Canceler improves noise immunity by using a simple digital filter scheme. When the Noise Filter (FILTER) bit in the Event Control (TCBn.EVCTRL) register is enabled, the peripheral monitors the event channel and keeps a record of the last four observed samples. If four consecutive samples are equal, the input is considered to be stable, and the signal is fed to the edge detector.

When enabled, the Noise Canceler introduces an additional delay of four system clock cycles between a change applied to the input and the update of the Input Compare register.

The Noise Canceler uses the system clock and is, therefore, not affected by the prescaler.

### 21.3.3.4 Synchronized with Timer/Counter Type A

The TCB can be configured to use the clock (CLK\_TCA) of a Timer/Counter type A (TCAn) by writing to the Clock Select (CLKSEL) bit field in the Control A register (TCBn.CTRLA). In this setting, the TCB will count on the same clock source as selected in TCAn.

When the Synchronize Update (SYNCUPD) bit in the Control A (TCBn.CTRLA) register is written to '1', the TCB counter will restart when the TCAn counter restarts.

### 21.3.4 Events

The TCB can generate the events described in the following table:

**Table 21-3. Event Generators in TCB**

| Generator Name |       | Description   | Event Type | Generating Clock Domain | Length of Event    |
|----------------|-------|---------------|------------|-------------------------|--------------------|
| Peripheral     | Event |               |            |                         |                    |
| TCBn           | CAPT  | CAPT flag set | Pulse      | CLK_PER                 | One CLK_PER period |

The conditions for generating the CAPT event are identical to those that will raise the corresponding interrupt flag in the Timer/Counter Interrupt Flags (TCBn.INTFLAGS) register. Refer to the *Event System* section for more details regarding event users and Event System configuration.



The TCB can receive the events described in the following table:

**Table 21-4. Event Users and Available Event Actions in TCB**

| User Name  |       | Description  | Input Detection | Async/Sync |
|------------|-------|--|-----------------|------------|
| Peripheral | Input |  |                 |            |
| TCBn       | CAPT  | Time-Out Check Count mode                                      | Edge            | Sync       |
|            |       | Input Capture on Event Count mode                              |                 |            |
|            |       | Input Capture Frequency Measurement Count mode                 |                 |            |
|            |       | Input Capture Pulse-Width Measurement Count mode               |                 |            |
|            |       | Input Capture Frequency and Pulse-Width Measurement Count mode |                 |            |
|            |       | Single-Shot Count mode   | Both            |            |

If the Capture Event Input Enable (CAPTEI) bit in the Event Control (TCBn.EVCTRL) register is written to '1', incoming events will result in an event action as defined by the Event Edge (EDGE) bit in the Event Control (TCBn.EVCTRL) register and the Timer Mode (CNTMODE) bit field in Control B (TCBn.CTRLB) register. The event needs to last for at least one CLK\_PER cycle to be recognized.

If the Asynchronous mode is enabled for Single-Shot mode, the event is edge-triggered and will capture changes on the event input shorter than one system clock cycle.

### 21.3.5 Interrupts

**Table 21-5. Available Interrupt Vectors and Sources**

| Name | Vector Description | Conditions   |
|------|--------------------|--|
| CAPT | TCB interrupt      | Depending on the operating mode. See the description of the CAPT bit in the TCBn.INTFLAG register. |

When an interrupt condition occurs, the corresponding interrupt flag is set in the peripheral's Interrupt Flags (*peripheral*.INTFLAGS) register.

An interrupt source is enabled or disabled by writing to the corresponding enable bit in the peripheral's Interrupt Control (*peripheral*.INTCTRL) register.

An interrupt request is generated when the corresponding interrupt source is enabled, and the interrupt flag is set. The interrupt request remains active until the interrupt flag is cleared. See the peripheral's INTFLAGS register for details on how to clear interrupt flags.

### 21.3.6 Sleep Mode Operation

TCBn is, by default, disabled in Standby sleep mode. It will be halted as soon as the sleep mode is entered.

The module can stay fully operational in the Standby sleep mode if the Run Standby (RUNSTDBY) bit in the TCBn.CTRLA register is written to '1'.

All operations are halted in Power-Down sleep mode.

## 21.4 Register Summary

| Offset | Name                     | Bit Pos. | 7          | 6        | 5        | 4       | 3 | 2            | 1 | 0      |
|--------|--------------------------|----------|------------|----------|----------|---------|---|--------------|---|--------|
| 0x00   | <a href="#">CTRLA</a>    | 7:0      |            | RUNSTDBY |          | SYNCUPD |   | CLKSEL[1:0]  |   | ENABLE |
| 0x01   | <a href="#">CTRLB</a>    | 7:0      |            | ASYNC    | CCMPINIT | CCMPEN  |   | CNTMODE[2:0] |   |        |
| 0x02   | Reserved                 |          |            |          |          |         |   |              |   |        |
| 0x03   |                          |          |            |          |          |         |   |              |   |        |
| 0x04   | <a href="#">EVCTRL</a>   | 7:0      |            | FILTER   |          | EDGE    |   |              |   | CAPTEI |
| 0x05   | <a href="#">INTCTRL</a>  | 7:0      |            |          |          |         |   |              |   | CAPT   |
| 0x06   | <a href="#">INTFLAGS</a> | 7:0      |            |          |          |         |   |              |   | CAPT   |
| 0x07   | <a href="#">STATUS</a>   | 7:0      |            |          |          |         |   |              |   | RUN    |
| 0x08   | <a href="#">DBGCTRL</a>  | 7:0      |            |          |          |         |   |              |   | DBGRUN |
| 0x09   | <a href="#">TEMP</a>     | 7:0      | TEMP[7:0]  |          |          |         |   |              |   |        |
| 0x0A   | <a href="#">CNT</a>      | 7:0      | CNT[7:0]   |          |          |         |   |              |   |        |
|        |                          | 15:8     | CNT[15:8]  |          |          |         |   |              |   |        |
| 0x0C   | <a href="#">CCMP</a>     | 7:0      | CCMP[7:0]  |          |          |         |   |              |   |        |
|        |                          | 15:8     | CCMP[15:8] |          |          |         |   |              |   |        |

## 21.5 Register Description

### 21.5.1 Control A

**Name:** CTRLA  
**Offset:** 0x00  
**Reset:** 0x00  
**Property:** -

|        |   |          |   |         |   |             |     |        |
|--------|---|----------|---|---------|---|-------------|-----|--------|
|        | 7 | 6        | 5 | 4       | 3 | 2           | 1   | 0      |
|        |   | RUNSTDBY |   | SYNCUPD |   | CLKSEL[1:0] |     | ENABLE |
| Access |   | R/W      |   | R/W     |   | R/W         | R/W | R/W    |
| Reset  |   | 0        |   | 0       |   | 0           | 0   | 0      |

**Bit 6 – RUNSTDBY** Run in Standby

Writing a '1' to this bit will enable the peripheral to run in Standby Sleep mode. Not applicable when CLKSEL is set to 0x2 (CLK\_TCA).

**Bit 4 – SYNCUPD** Synchronize Update

When this bit is written to '1', the TCB will restart whenever TCA0 is restarted or overflows. This can be used to synchronize capture with the PWM period.

**Bits 2:1 – CLKSEL[1:0]** Clock Select

Writing these bits selects the clock source for this peripheral.

| Value | Name    | Description           |
|-------|---------|-----------------------|
| 0x0   | CLKDIV1 | CLK_PER               |
| 0x1   | CLKDIV2 | CLK_PER / 2           |
| 0x2   | CLKTCA  | Use CLK_TCA from TCA0 |
| 0x3   |         | Reserved              |

**Bit 0 – ENABLE** Enable

Writing this bit to '1' enables the Timer/Counter type B peripheral.

### 21.5.2 Control B

**Name:** CTRLB  
**Offset:** 0x01  
**Reset:** 0x00  
**Property:** -

|        |   |       |          |        |   |              |     |     |
|--------|---|-------|----------|--------|---|--------------|-----|-----|
|        | 7 | 6     | 5        | 4      | 3 | 2            | 1   | 0   |
|        |   | ASYNC | CCMPINIT | CCMPEN |   | CNTMODE[2:0] |     |     |
| Access |   | R/W   | R/W      | R/W    |   | R/W          | R/W | R/W |
| Reset  |   | 0     | 0        | 0      |   | 0            | 0   | 0   |

**Bit 6 – ASYNC** Asynchronous Enable

Writing this bit to '1' will allow asynchronous updates of the TCB output signal in Single-Shot mode.

| Value | Description   |
|-------|---|
| 0     | The output will go HIGH when the counter starts after synchronization |
| 1     | The output will go HIGH when an event arrives                         |

**Bit 5 – CCMPINIT** Compare/Capture Pin Initial Value

This bit is used to set the initial output value of the pin when a pin output is used. This bit has no effect in 8-bit PWM mode and Single-Shot mode.

| Value | Description               |
|-------|---------------------------|
| 0     | Initial pin state is LOW  |
| 1     | Initial pin state is HIGH |

**Bit 4 – CCMPEN** Compare/Capture Output Enable

Writing this bit to '1' enables the waveform output. This will make the waveform output available on the corresponding pin, overriding the value in the corresponding PORT output register. The corresponding pin direction must be configured as an output in the PORT peripheral.

| Value | Description   |
|-------|---|
| 0     | Waveform output is not enabled on the corresponding pin                 |
| 1     | Waveform output will override the output value of the corresponding pin |

**Bits 2:0 – CNTMODE[2:0]** Timer Mode

Writing these bits selects the Timer mode.

| Value | Name    | Description  |
|-------|---------|--|
| 0x0   | INT     | Periodic Interrupt mode                                  |
| 0x1   | TIMEOUT | Time-out Check mode                                      |
| 0x2   | CAPT    | Input Capture on Event mode                              |
| 0x3   | FRQ     | Input Capture Frequency Measurement mode                 |
| 0x4   | PW      | Input Capture Pulse-Width Measurement mode               |
| 0x5   | FRQPW   | Input Capture Frequency and Pulse-Width Measurement mode |
| 0x6   | SINGLE  | Single-Shot mode   |
| 0x7   | PWM8    | 8-Bit PWM mode   |

### 21.5.3 Event Control

**Name:** EVCTRL  
**Offset:** 0x04  
**Reset:** 0x00  
**Property:** -

|        |   |        |   |      |   |   |   |        |
|--------|---|--------|---|------|---|---|---|--------|
|        | 7 | 6      | 5 | 4    | 3 | 2 | 1 | 0      |
| Access |   | FILTER |   | EDGE |   |   |   | CAPTEI |
| Reset  |   | R/W    |   | R/W  |   |   |   | R/W    |
|        |   | 0      |   | 0    |   |   |   | 0      |

**Bit 6 – FILTER** Input Capture Noise Cancellation Filter  
 Writing this bit to '1' enables the Input Capture Noise Cancellation unit.

**Bit 4 – EDGE** Event Edge  
 This bit is used to select the event edge. The effect of this bit is dependent on the selected Count Mode (CNTMODE) bit field in TCBn.CTRLB. “—” means that an event or edge does not affect this mode.

| Count Mode   | EDGE | Positive Edge  | Negative Edge                                       |
|--|------|--|---|
| Periodic Interrupt mode                                  | 0    | —  | —   |
|  | 1    | —  | —   |
| Timeout Check mode                                       | 0    | Start counter  | Stop counter  |
|  | 1    | Stop counter   | Start counter                                       |
| Input Capture on Event mode                              | 0    | Input Capture, interrupt   | —   |
|  | 1    | —  | Input Capture, interrupt                            |
| Input Capture Frequency Measurement mode                 | 0    | Input Capture, clear and restart counter, interrupt  | —   |
|  | 1    | —  | Input Capture, clear and restart counter, interrupt |
| Input Capture Pulse-Width Measurement mode               | 0    | Clear and restart counter  | Input Capture, interrupt                            |
|  | 1    | Input Capture, interrupt   | Clear and restart counter                           |
| Input Capture Frequency and Pulse-Width Measurement mode | 0    | <ul style="list-style-type: none"> <li>On the 1<sup>st</sup> Positive: Clear and restart counter</li> <li>On the following Negative: Input Capture</li> <li>On the 2<sup>nd</sup> Positive: Stop counter, interrupt</li> </ul> |   |
|  | 1    | <ul style="list-style-type: none"> <li>On the 1<sup>st</sup> Negative: Clear and restart counter</li> <li>On the following Positive: Input Capture</li> <li>On the 2<sup>nd</sup> Negative: Stop counter, interrupt</li> </ul> |   |
| Single-Shot mode   | 0    | Start counter  | —   |
|  | 1    | Start counter  | Start counter                                       |
| 8-Bit PWM mode   | 0    | —  | —   |
|  | 1    | —  | —   |

**Bit 0 – CAPTEI** Capture Event Input Enable  
 Writing this bit to '1' enables the input capture event.

**21.5.4 Interrupt Control**

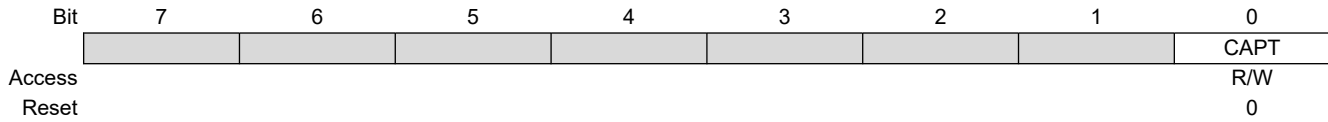
**Name:** INTCTRL  
**Offset:** 0x05  
**Reset:** 0x00  
**Property:** -

|        |   |   |   |   |   |   |   |      |
|--------|---|---|---|---|---|---|---|------|
| Bit    | 7 | 6 | 5 | 4 | 3 | 2 | 1 | 0    |
|        |   |   |   |   |   |   |   | CAPT |
| Access |   |   |   |   |   |   |   | R/W  |
| Reset  |   |   |   |   |   |   |   | 0    |

**Bit 0 – CAPT** Capture Interrupt Enable  
Writing this bit to '1' enables interrupt on capture.

### 21.5.5 Interrupt Flags

**Name:** INTFLAGS  
**Offset:** 0x06  
**Reset:** 0x00  
**Property:** -



**Bit 0 – CAPT** Capture Interrupt Flag

This bit is set when a capture interrupt occurs. The interrupt conditions are dependent on the Counter Mode (CNTMODE) bit field in the Control B (TCBn.CTRLB) register.

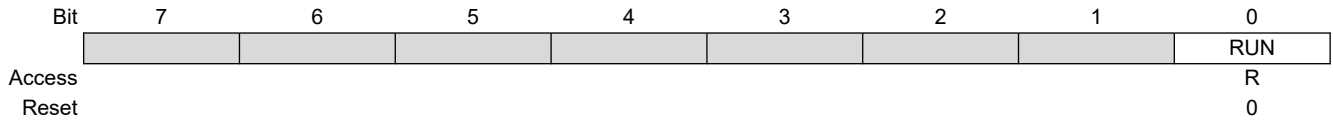
This bit is cleared by writing a '1' to it or when the Capture register is read in Capture mode.

**Table 21-6. Interrupt Sources Set Conditions by Counter Mode**

| Counter Mode   | Interrupt Set Condition  | TOP Value | CAPT   |
|--|--|-----------|--|
| Periodic Interrupt mode                                  | Set when the counter reaches TOP   | CCMP      | CNT == TOP   |
| Timeout Check mode                                       | Set when the counter reaches TOP   |           |  |
| Single-Shot mode   | Set when the counter reaches TOP   |           |  |
| Input Capture Frequency Measurement mode                 | Set on edge when the Capture register is loaded, and the counter restarts; the flag clears when the capture is read                | --        | On Event, copy CNT to CCMP, and restart counting (CNT == BOTTOM) |
| Input Capture on Event mode                              | Set when an event occurs and the Capture register is loaded; the flag clears when the capture is read                              |           |  |
| Input Capture Pulse-Width Measurement mode               | Set on edge when the Capture register is loaded; the previous edge initialized the count; the flag clears when the capture is read |           |  |
| Input Capture Frequency and Pulse-Width Measurement mode | Set on the second edge (positive or negative) when the counter is stopped; the flag clears when the capture is read                |           |  |
| 8-Bit PWM mode   | Set when the counter reaches CCML  | CCML      | CNT == CCML  |

**21.5.6 Status**

**Name:** STATUS  
**Offset:** 0x07  
**Reset:** 0x00  
**Property:** -



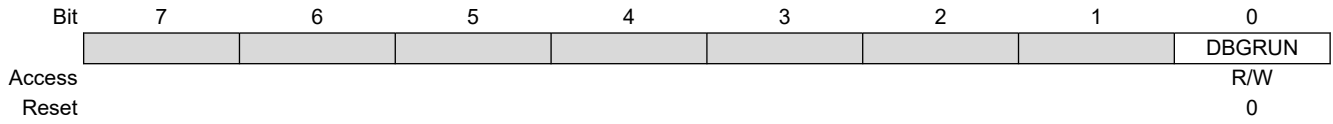
**Bit 0 – RUN** Run

When the counter is running, this bit is set to '1'. When the counter is stopped, this bit is cleared to '0'.  
The bit is read-only and cannot be set by UPDI.



**21.5.7 Debug Control**

**Name:** DBGCTRL  
**Offset:** 0x08  
**Reset:** 0x00  
**Property:** -



**Bit 0 – DBGRUN** Debug Run

| Value | Description  |
|-------|--|
| 0     | The peripheral is halted in Break Debug mode and ignores events                |
| 1     | The peripheral will continue to run in Break Debug mode when the CPU is halted |

### 21.5.8 Temporary Value

**Name:** TEMP  
**Offset:** 0x09  
**Reset:** 0x00  
**Property:** -

The Temporary register is used by the CPU for 16-bit single-cycle access to the 16-bit registers of this peripheral. The register is common for all the 16-bit registers of this peripheral and can be read and written by software. For more details on reading and writing 16-bit registers, refer to *Accessing 16-Bit Registers* in the *AVR CPU* section.

| Bit    | 7         | 6   | 5   | 4   | 3   | 2   | 1   | 0   |
|--------|-----------|-----|-----|-----|-----|-----|-----|-----|
|        | TEMP[7:0] |     |     |     |     |     |     |     |
| Access | R/W       | R/W | R/W | R/W | R/W | R/W | R/W | R/W |
| Reset  | 0         | 0   | 0   | 0   | 0   | 0   | 0   | 0   |

**Bits 7:0 – TEMP[7:0]** Temporary Value

### 21.5.9 Count

**Name:** CNT  
**Offset:** 0x0A  
**Reset:** 0x00  
**Property:** -

The TCBn.CNTL and TCBn.CNTH register pair represents the 16-bit value TCBn.CNT. The low byte [7:0] (suffix L) is accessible at the original offset. The high byte [15:8] (suffix H) can be accessed at offset + 0x01.

CPU and UPDI write access has priority over internal updates of the register.

|        |     |           |     |     |     |     |     |     |     |
|--------|-----|-----------|-----|-----|-----|-----|-----|-----|-----|
|        | Bit | 15        | 14  | 13  | 12  | 11  | 10  | 9   | 8   |
|        |     | CNT[15:8] |     |     |     |     |     |     |     |
| Access |     | R/W       | R/W | R/W | R/W | R/W | R/W | R/W | R/W |
| Reset  |     | 0         | 0   | 0   | 0   | 0   | 0   | 0   | 0   |
|        |     |           |     |     |     |     |     |     |     |
|        | Bit | 7         | 6   | 5   | 4   | 3   | 2   | 1   | 0   |
|        |     | CNT[7:0]  |     |     |     |     |     |     |     |
| Access |     | R/W       | R/W | R/W | R/W | R/W | R/W | R/W | R/W |
| Reset  |     | 0         | 0   | 0   | 0   | 0   | 0   | 0   | 0   |

**Bits 15:8 – CNT[15:8]** Count Value High  
 These bits hold the MSB of the 16-bit Counter register.

**Bits 7:0 – CNT[7:0]** Count Value Low  
 These bits hold the LSB of the 16-bit Counter register.

### 21.5.10 Capture/Compare

**Name:** CCMP  
**Offset:** 0x0C  
**Reset:** 0x00  
**Property:** -

The TCBn.CCMPL and TCBn.CCMPH register pair represents the 16-bit value TCBn.CCMP. The low byte [7:0] (suffix L) is accessible at the original offset. The high byte [15:8] (suffix H) can be accessed at offset + 0x01.

This register has different functions depending on the mode of operation:

- For Capture operation, these registers contain the captured value of the counter at the time the capture occurs
- In Periodic Interrupt/Time-Out and Single-Shot mode, this register acts as the TOP value
- In 8-bit PWM mode, TCBn.CCMPL and TCBn.CCMPH act as two independent registers: The period of the waveform is controlled by CCMPH, while CCMPH controls the duty cycle.

|        |            |     |     |     |     |     |     |     |
|--------|------------|-----|-----|-----|-----|-----|-----|-----|
| Bit    | 15         | 14  | 13  | 12  | 11  | 10  | 9   | 8   |
|        | CCMP[15:8] |     |     |     |     |     |     |     |
| Access | R/W        | R/W | R/W | R/W | R/W | R/W | R/W | R/W |
| Reset  | 0          | 0   | 0   | 0   | 0   | 0   | 0   | 0   |
|        |            |     |     |     |     |     |     |     |
| Bit    | 7          | 6   | 5   | 4   | 3   | 2   | 1   | 0   |
|        | CCMP[7:0]  |     |     |     |     |     |     |     |
| Access | R/W        | R/W | R/W | R/W | R/W | R/W | R/W | R/W |
| Reset  | 0          | 0   | 0   | 0   | 0   | 0   | 0   | 0   |

**Bits 15:8 – CCMP[15:8]** Capture/Compare Value High Byte

These bits hold the MSB of the 16-bit compare, capture, and top value.

**Bits 7:0 – CCMP[7:0]** Capture/Compare Value Low Byte

These bits hold the LSB of the 16-bit compare, capture, and top value.

## **22. RTC - Real-Time Counter**

### **22.1 Features**

- 16-bit Resolution
- Selectable Clock Sources
- Programmable 15-bit Clock Prescaling
- One Compare Register
- One Period Register
- Clear Timer on Period Overflow
- Optional Interrupt/Event on Overflow and Compare Match
- Periodic Interrupt and Event
- Crystal Error Correction

### **22.2 Overview**

The RTC peripheral offers two timing functions: The Real-Time Counter (RTC) and a Periodic Interrupt Timer (PIT).

The PIT functionality can be enabled independently of the RTC functionality.

#### **RTC - Real-Time Counter**

The RTC counts (prescaled) clock cycles in a Counter register and compares the content of the Counter register to a Period register and a Compare register.

The RTC can generate both interrupts and events on compare match or overflow. It will generate a compare interrupt and/or event at the first count after the counter value equals the Compare register value, and an overflow interrupt and/or event at the first count after the counter value equals the Period register value. The overflow will reset the counter value to zero.

The RTC peripheral typically runs continuously, including in Low-Power sleep modes, to keep track of time. It can wake up the device from sleep modes, and/or interrupt the device at regular intervals.

The reference clock is typically the 32.768 kHz output from an external crystal. The RTC can also be clocked from an external clock signal, the 32 kHz Internal Ultra Low-Power Oscillator (OSCULP32K), or the OSCULP32K divided by 32.

The RTC peripheral includes a 15-bit programmable prescaler that can scale down the reference clock before it reaches the counter. A wide range of resolutions and time-out periods can be configured for the RTC. With a 32.768 kHz clock source, the maximum resolution is 30.5  $\mu$ s, and time-out periods can be up to two seconds. With a resolution of 1s, the maximum time-out period is more than 18 hours (65536 seconds).

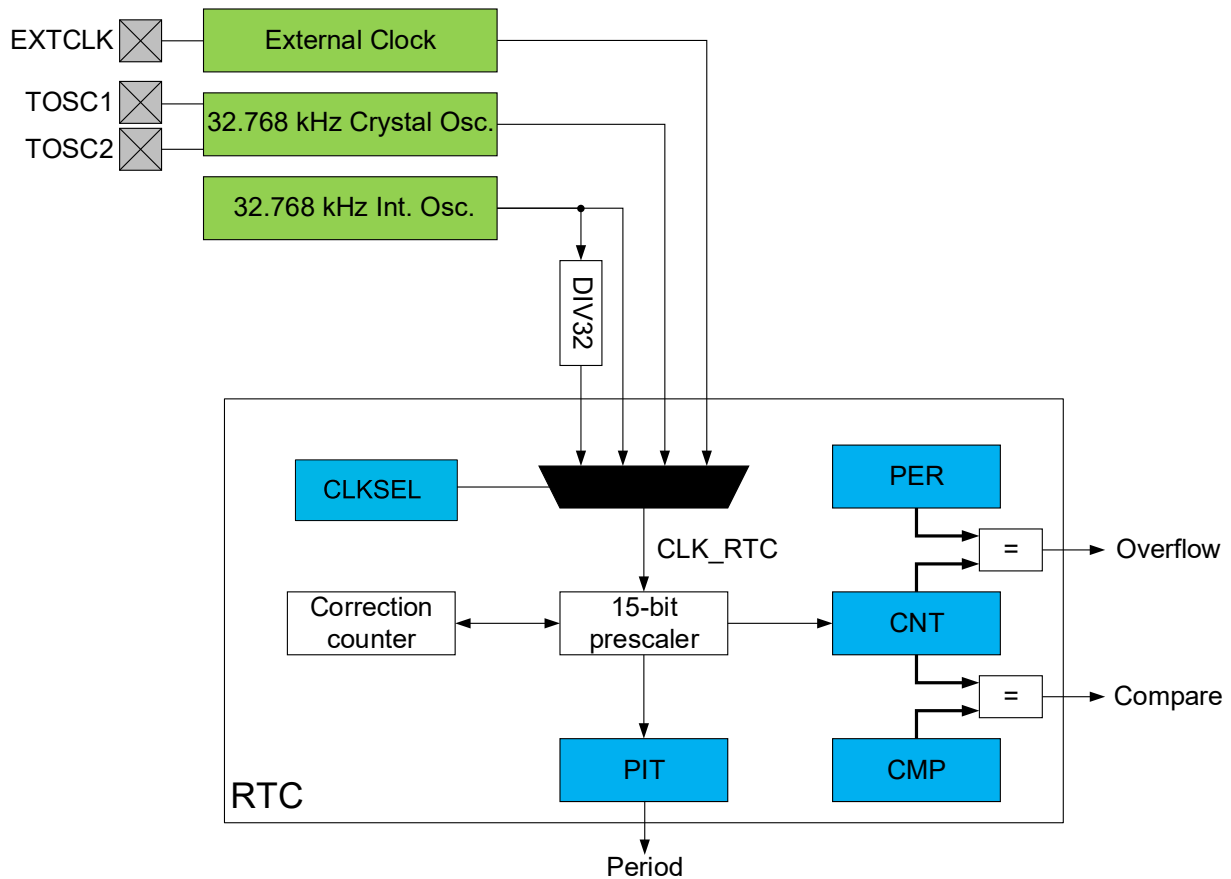
The RTC also supports crystal error correction when operated using external crystal selection. An externally calibrated value will be used for correction. The RTC can be adjusted by software with an accuracy of  $\pm 1$  PPM, and the maximum adjustment is  $\pm 127$  PPM. The RTC correction operation will either speed up (by skipping count) or slow down (by adding extra count) the prescaler to account for the crystal error.

#### **PIT - Periodic Interrupt Timer**

The PIT uses the same clock source (CLK\_RTC) as the RTC function and can generate an interrupt request or a level event on every  $n^{\text{th}}$  clock period. The  $n$  can be selected from {4, 8, 16,... 32768} for interrupts, and from {64, 128, 256,... 8192} for events.

### 22.2.1 Block Diagram

Figure 22-1. RTC Block Diagram



### 22.3 Clocks

The peripheral clock (CLK\_PER) is required to be at least four times faster than the RTC clock (CLK\_RTC) for reading the counter value, regardless of the prescaler setting.

A 32.768 kHz crystal can be connected to the TOSC1 or TOSC2 pins, along with any required load capacitors. Alternatively, an external digital clock can be connected to the TOSC1 pin.

### 22.4 RTC Functional Description

The RTC peripheral offers two timing functions: The Real-Time Counter (RTC) and a Periodic Interrupt Timer (PIT). This subsection describes the RTC.

#### 22.4.1 Initialization

Before enabling the RTC peripheral and the desired actions (interrupt requests and output events), the source clock for the RTC counter must be configured to operate the RTC.

##### 22.4.1.1 Configure the Clock CLK\_RTC

To configure the CLK\_RTC, follow these steps:

1. Configure the desired oscillator to operate as required, in the Clock Controller (CLKCTRL) peripheral.
2. Write the Clock Select (CLKSEL) bit field in the Clock Selection (RTC.CLKSEL) register accordingly.

The CLK\_RTC clock configuration is used by both RTC and PIT functionalities.

### 22.4.1.2 Configure RTC

To operate the RTC, follow these steps:

1. Set the compare value in the Compare (RTC.CMP) register, and/or the overflow value in the Period (RTC.PER) register.
2. Enable the desired interrupts by writing to the respective interrupt enable bits (CMP, OVF) in the Interrupt Control (RTC.INTCTRL) register.
3. Configure the RTC internal prescaler by writing the desired value to the Prescaler (PRESCALER) bit field in the Control A (RTC.CTRLA) register.
4. Enable the RTC by writing a '1' to the RTC Peripheral Enable (RTCEM) bit in the RTC.CTRLA register.

**Note:** The RTC peripheral is used internally during device start-up. Always check the Synchronization Busy bits in the Status (RTC.STATUS) and Periodic Interrupt Timer Status (RTC.PITSTATUS) registers, and on the initial configuration.

### 22.4.2 Operation - RTC

#### 22.4.2.1 Enabling and Disabling

The RTC is enabled by writing the RTC Peripheral Enable (RTCEM) bit in the Control A (RTC.CTRLA) register to '1'. The RTC is disabled by writing the RTC Peripheral Enable (RTCEM) bit in RTC.CTRLA to '0'.

## 22.5 PIT Functional Description

The RTC peripheral offers two timing functions: The Real-Time Counter (RTC) and a Periodic Interrupt Timer (PIT). This subsection describes the PIT.

### 22.5.1 Initialization

To operate the PIT, follow these steps:

1. Configure the RTC clock CLK\_RTC as described in section [22.4.1.1 Configure the Clock CLK\\_RTC](#).
2. Enable the interrupt by writing a '1' to the Periodic Interrupt (PI) bit in the PIT Interrupt Control (RTC.PITINTCTRL) register.
3. Select the period for the interrupt by writing the desired value to the Period (PERIOD) bit field in the Periodic Interrupt Timer Control A (RTC.PITCTRLA) register.
4. Enable the PIT by writing a '1' to the Periodic Interrupt Timer Enable (PITEN) bit in the RTC.PITCTRLA register.

**Note:** The RTC peripheral is used internally during device start-up. Always check the Synchronization Busy bits in the RTC.STATUS and RTC.PITSTATUS registers, and on the initial configuration.

### 22.5.2 Operation - PIT

#### 22.5.2.1 Enabling and Disabling

The PIT is enabled by writing the Periodic Interrupt Timer Enable (PITEN) bit in the Periodic Interrupt Timer Control A (RTC.PITCTRLA) register to '1'. The PIT is disabled by writing the Periodic Interrupt Timer Enable (PITEN) bit in RTC.PITCTRLA to '0'.

#### 22.5.2.2 PIT Interrupt Timing

##### Timing of the First Interrupt

Both PIT and RTC functions are running from the same counter inside the prescaler and can be configured as described below:

- The RTC interrupt period is configured by writing the Period (RTC.PER) register
- The PIT interrupt period is configured by writing the Period (PERIOD) bit field in Periodic Interrupt Timer Control A (RTC.PITCTRLA) register

The prescaler is OFF when both functions are OFF (RTC Peripheral Enable (RTCEN) bit in RTC.CTRLA and the Periodic Interrupt Timer Enable (PITEN) bit in RTC.PITCTRLA are '0'), but it is running (that is, its internal counter is counting) when either function is enabled. For this reason, the timing of the first PIT interrupt and the first RTC count tick will be unknown (anytime between enabling and a full period).

### **Continuous Operation**

After the first interrupt, the PIT will continue toggling every  $\frac{1}{2}$  PIT period resulting in a full PIT period signal.

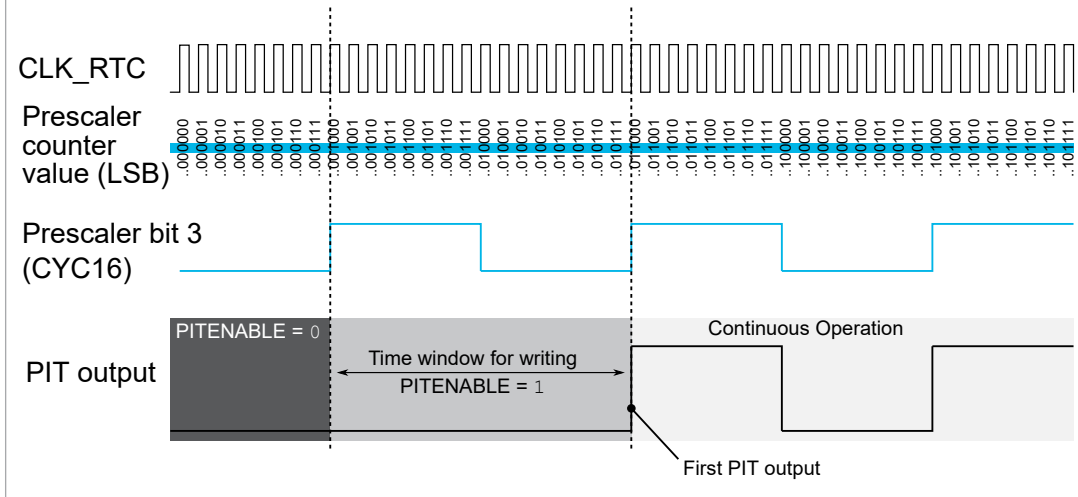


**Example 22-1. PIT Timing Diagram for PERIOD = CYC16**

For PERIOD = CYC16 in RTC.PITCTRLA, the PIT output effectively follows the state of the prescaler counter bit 3, so the resulting interrupt output has a period of 16 CLK\_RTC cycles.

The time between writing PITEN to '1' and the first PIT interrupt can vary between virtually zero and a full PIT period of 16 CLK\_RTC cycles. The precise delay between enabling the PIT and its first output depends on the prescaler's counting phase: The first interrupt shown below is produced by writing PITEN to '1' at any time inside the leading time window.

**Figure 22-2. Timing Between PIT Enable and First Interrupt**



## 22.6 Crystal Error Correction

The prescaler for the RTC and PIT can do internal frequency correction of the crystal clock by using the PPM error value from the Crystal Frequency Calibration (CALIB) register when the Frequency Correction Enable (CORREN) bit in the RTC.CTRLA register is '1'.

The CALIB register must be written by the user, based on the information about the frequency error. The correction operation is performed by adding or removing a number of cycles equal to the value given in the Error Correction Value (ERROR) bit field in the CALIB register spread throughout a million-cycle interval.

The correction of the clock will be reflected in the RTC count value available through the Count (RTC.CNT) registers or in the PIT intervals.

If disabling the correction feature, an ongoing correction cycle will be completed before the function is disabled.

**Note:** If using this feature with a negative correction, the minimum prescaler configuration is DIV2.

## 22.7 Events

The RTC can generate the events described in the following table:

**Table 22-1. Event Generators in RTC**

| Generator Name |             | Description                         | Event Type | Generating Clock Domain | Length of Event                              |
|----------------|-------------|-------------------------------------|------------|-------------------------|--|
| Peripheral     | Event       |                                     |            |                         |  |
| RTC            | OVF         | Overflow                            | Pulse      | CLK_RTC                 | One CLK_RTC period                           |
|                | CMP         | Compare Match                       |            |                         |  |
|                | PIT_DIV8192 | Prescaled RTC clock divided by 8192 | Level      |                         | Given by prescaled RTC clock divided by 8192 |
|                | PIT_DIV4096 | Prescaled RTC clock divided by 4096 |            |                         | Given by prescaled RTC clock divided by 4096 |
|                | PIT_DIV2048 | Prescaled RTC clock divided by 2048 |            |                         | Given by prescaled RTC clock divided by 2048 |
|                | PIT_DIV1024 | Prescaled RTC clock divided by 1024 |            |                         | Given by prescaled RTC clock divided by 1024 |
|                | PIT_DIV512  | Prescaled RTC clock divided by 512  |            |                         | Given by prescaled RTC clock divided by 512  |
|                | PIT_DIV256  | Prescaled RTC clock divided by 256  |            |                         | Given by prescaled RTC clock divided by 256  |
|                | PIT_DIV128  | Prescaled RTC clock divided by 128  |            |                         | Given by prescaled RTC clock divided by 128  |
|                | PIT_DIV64   | Prescaled RTC clock divided by 64   |            |                         | Given by prescaled RTC clock divided by 64   |

The conditions for generating the OVF and CMP events are identical to those that will raise the corresponding interrupt flags in the RTC.INTFLAGS register.

Refer to the *Event System (EVSYS)* section for more details regarding event users and Event System configuration.

## 22.8 Interrupts

**Table 22-2. Available Interrupt Vectors and Sources**

| Name | Vector Description                                     | Conditions  |
|------|--|---|
| RTC  | Real-Time Counter overflow and compare match interrupt | <ul style="list-style-type: none"> <li>Overflow (OVF): The counter has reached the value from the RTC.PER register and wrapped to zero</li> <li>Compare (CMP): Match between the value from the Counter (RTC.CNT) register and the value from the Compare (RTC.CMP) register</li> </ul> |
| PIT  | Periodic Interrupt Timer interrupt                     | A time period has passed, as configured by the PERIOD bit field in RTC.PITCTRLA   |

When an interrupt condition occurs, the corresponding interrupt flag is set in the peripheral's Interrupt Flags (*peripheral.INTFLAGS*) register.

An interrupt source is enabled or disabled by writing to the corresponding enable bit in the peripheral's Interrupt Control (*peripheral.INTCTRL*) register.

An interrupt request is generated when the corresponding interrupt source is enabled, and the interrupt flag is set. The interrupt request remains active until the interrupt flag is cleared. See the peripheral's INTFLAGS register for details on how to clear interrupt flags.

Note that:

- The RTC has two INTFLAGS registers: RTC.INTFLAGS and RTC.PITINTFLAGS.
- The RTC has two INTCTRL registers: RTC.INTCTRL and RTC.PITINTCTRL.

## 22.9 Sleep Mode Operation

The RTC will continue to operate in Idle sleep mode. It will run in Standby sleep mode if the Run in Standby (RUNSTDBY) bit in RTC.CTRLA is set.

The PIT will continue to operate in any sleep mode.

## 22.10 Synchronization

Both the RTC and the PIT are asynchronous, operating from a different clock source (CLK\_RTC) independently of the peripheral clock (CLK\_PER). For Control and Count register updates, it will take some RTC and/or peripheral clock cycles before an updated register value is available in a register or until a configuration change affects the RTC or PIT, respectively. This synchronization time is described for each register in the *Register Description* section.

For some RTC registers, a Synchronization Busy (CMPBUSY, PERBUSY, CNTBUSY, CTRLABUSY) flag is available in the Status (RTC.STATUS) register.

For the RTC.PITCTRLA register, a Synchronization Busy (CTRLBUSY) flag is available in the Periodic Interrupt Timer Status (RTC.PITSTATUS) register.

Check these flags before writing to the mentioned registers.

## 22.11 Debug Operation

If the Debug Run (DBGRUN) bit in the Debug Control (RTC.DBGCTRL) register is '1', the RTC will continue normal operation. If DBGRUN is '0' and the CPU is halted, the RTC will halt the operation and ignore any incoming events.

If the Debug Run (DBGRUN) bit in the Periodic Interrupt Timer Debug Control (RTC.PITDBGCTRL) register is '1', the PIT will continue normal operation. If DBGRUN is '0' in the Debug mode and the CPU is halted, the PIT output will be low. When the PIT output is high at the time, a new positive edge occurs to set the interrupt flag when restarting from a break. The result is an additional PIT interrupt that does not happen during normal operation. If the PIT output is low at the break, the PIT will resume low without additional interrupt.

## 22.12 Register Summary

| Offset              | Name                        | Bit Pos. | 7         | 6              | 5 | 4 | 3       | 2       | 1           | 0         |       |
|---------------------|-----------------------------|----------|-----------|----------------|---|---|---------|---------|-------------|-----------|-------|
| 0x00                | <a href="#">CTRLA</a>       | 7:0      | RUNSTDBY  | PRESCALER[3:0] |   |   |         | CORREN  |             | RTCEN     |       |
| 0x01                | <a href="#">STATUS</a>      | 7:0      |           |                |   |   | CMPBUSY | PERBUSY | CNTBUSY     | CTRLABUSY |       |
| 0x02                | <a href="#">INTCTRL</a>     | 7:0      |           |                |   |   |         |         | CMP         | OVF       |       |
| 0x03                | <a href="#">INTFLAGS</a>    | 7:0      |           |                |   |   |         |         | CMP         | OVF       |       |
| 0x04                | <a href="#">TEMP</a>        | 7:0      | TEMP[7:0] |                |   |   |         |         |             |           |       |
| 0x05                | <a href="#">DBGCTRL</a>     | 7:0      |           |                |   |   |         |         |             | DBGRUN    |       |
| 0x06                | <a href="#">CALIB</a>       | 7:0      | SIGN      | ERROR[6:0]     |   |   |         |         |             |           |       |
| 0x07                | <a href="#">CLKSEL</a>      | 7:0      |           |                |   |   |         |         | CLKSEL[1:0] |           |       |
| 0x08                | <a href="#">CNT</a>         | 7:0      | CNT[7:0]  |                |   |   |         |         |             |           |       |
|                     |                             | 15:8     | CNT[15:8] |                |   |   |         |         |             |           |       |
| 0x0A                | <a href="#">PER</a>         | 7:0      | PER[7:0]  |                |   |   |         |         |             |           |       |
|                     |                             | 15:8     | PER[15:8] |                |   |   |         |         |             |           |       |
| 0x0C                | <a href="#">CMP</a>         | 7:0      | CMP[7:0]  |                |   |   |         |         |             |           |       |
|                     |                             | 15:8     | CMP[15:8] |                |   |   |         |         |             |           |       |
| 0x0E<br>...<br>0x0F | Reserved                    |          |           |                |   |   |         |         |             |           |       |
| 0x10                | <a href="#">PITCTRLA</a>    | 7:0      |           | PERIOD[3:0]    |   |   |         |         |             |           | PITEN |
| 0x11                | <a href="#">PITSTATUS</a>   | 7:0      |           |                |   |   |         |         |             | CTRLBUSY  |       |
| 0x12                | <a href="#">PITINTCTRL</a>  | 7:0      |           |                |   |   |         |         |             | PI        |       |
| 0x13                | <a href="#">PITINTFLAGS</a> | 7:0      |           |                |   |   |         |         |             | PI        |       |
| 0x14                | Reserved                    |          |           |                |   |   |         |         |             |           |       |
| 0x15                | <a href="#">PITDBGCTRL</a>  | 7:0      |           |                |   |   |         |         |             | DBGRUN    |       |

## 22.13 Register Description

### 22.13.1 Control A

**Name:** CTRLA  
**Offset:** 0x00  
**Reset:** 0x00  
**Property:** -

|        |          |                |     |     |        |     |   |       |
|--------|----------|----------------|-----|-----|--------|-----|---|-------|
|        | 7        | 6              | 5   | 4   | 3      | 2   | 1 | 0     |
|        | RUNSTDBY | PRESCALER[3:0] |     |     | CORREN |     |   | RTCEN |
| Access | R/W      | R/W            | R/W | R/W | R/W    | R/W |   | R/W   |
| Reset  | 0        | 0              | 0   | 0   | 0      | 0   |   | 0     |

#### Bit 7 – RUNSTDBY Run in Standby

| Value | Description                        |
|-------|------------------------------------|
| 0     | RTC disabled in Standby sleep mode |
| 1     | RTC enabled in Standby sleep mode  |

#### Bits 6:3 – PRESCALER[3:0] Prescaler

These bits define the prescaling of the CLK\_RTC clock signal. Due to synchronization between the RTC clock and the peripheral clock, there is a latency of two RTC clock cycles from updating the register until this has an effect. Application software needs to check that the CTRLABUSY flag in the RTC.STATUS register is cleared before writing to this register.

| Value | Name     | Description                 |
|-------|----------|-----------------------------|
| 0x0   | DIV1     | RTC clock/1 (no prescaling) |
| 0x1   | DIV2     | RTC clock/2                 |
| 0x2   | DIV4     | RTC clock/4                 |
| 0x3   | DIV8     | RTC clock/8                 |
| 0x4   | DIV16    | RTC clock/16                |
| 0x5   | DIV32    | RTC clock/32                |
| 0x6   | DIV64    | RTC clock/64                |
| 0x7   | DIV128   | RTC clock/128               |
| 0x8   | DIV256   | RTC clock/256               |
| 0x9   | DIV512   | RTC clock/512               |
| 0xA   | DIV1024  | RTC clock/1024              |
| 0xB   | DIV2048  | RTC clock/2048              |
| 0xC   | DIV4096  | RTC clock/4096              |
| 0xD   | DIV8192  | RTC clock/8192              |
| 0xE   | DIV16384 | RTC clock/16384             |
| 0xF   | DIV32768 | RTC clock/32768             |

#### Bit 2 – CORREN Frequency Correction Enable

| Value | Description                      |
|-------|----------------------------------|
| 0     | Frequency correction is disabled |
| 1     | Frequency correction is enabled  |

#### Bit 0 – RTCEN RTC Peripheral Enable

| Value | Description                |
|-------|----------------------------|
| 0     | RTC peripheral is disabled |
| 1     | RTC peripheral is enabled  |

**22.13.2 Status**

**Name:** STATUS  
**Offset:** 0x01  
**Reset:** 0x00  
**Property:** -

|        |   |   |   |   |         |         |         |           |
|--------|---|---|---|---|---------|---------|---------|-----------|
|        | 7 | 6 | 5 | 4 | 3       | 2       | 1       | 0         |
|        |   |   |   |   | CMPBUSY | PERBUSY | CNTBUSY | CTRLABUSY |
| Access |   |   |   |   | R       | R       | R       | R         |
| Reset  |   |   |   |   | 0       | 0       | 0       | 0         |

**Bit 3 – CMPBUSY** Compare Synchronization Busy  
 This bit is '1' when the RTC is busy synchronizing the Compare (RTC.CMP) register in the RTC clock domain.

**Bit 2 – PERBUSY** Period Synchronization Busy  
 This bit is '1' when the RTC is busy synchronizing the Period (RTC.PER) register in the RTC clock domain.

**Bit 1 – CNTBUSY** Counter Synchronization Busy  
 This bit is '1' when the RTC is busy synchronizing the Count (RTC.CNT) register in the RTC clock domain.

**Bit 0 – CTRLABUSY** Control A Synchronization Busy  
 This bit is '1' when the RTC is busy synchronizing the Control A (RTC.CTRLA) register in the RTC clock domain.

### 22.13.3 Interrupt Control

**Name:** INTCTRL  
**Offset:** 0x02  
**Reset:** 0x00  
**Property:** -

|        |   |   |   |   |   |   |     |     |
|--------|---|---|---|---|---|---|-----|-----|
|        | 7 | 6 | 5 | 4 | 3 | 2 | 1   | 0   |
|        |   |   |   |   |   |   | CMP | OVF |
| Access |   |   |   |   |   |   | R/W | R/W |
| Reset  |   |   |   |   |   |   | 0   | 0   |

**Bit 1 – CMP** Compare Match Interrupt Enable

Enable interrupt-on-compare match (that is, when the value from the Count (RTC.CNT) register matches the value from the Compare (RTC.CMP) register).

| Value | Description                             |
|-------|---|
| 0     | The compare match interrupt is disabled |
| 1     | The compare match interrupt is enabled  |

**Bit 0 – OVF** Overflow Interrupt Enable

Enable interrupt-on-counter overflow (that is, when the value from the Count (RTC.CNT) register matched the value from the Period (RTC.PER) register and wraps around to zero).

| Value | Description                        |
|-------|------------------------------------|
| 0     | The overflow interrupt is disabled |
| 1     | The overflow interrupt is enabled  |

### 22.13.4 Interrupt Flag

**Name:** INTFLAGS  
**Offset:** 0x03  
**Reset:** 0x00  
**Property:** -

|        |     |   |   |   |   |   |   |     |     |
|--------|-----|---|---|---|---|---|---|-----|-----|
|        | Bit | 7 | 6 | 5 | 4 | 3 | 2 | 1   | 0   |
|        |     |   |   |   |   |   |   | CMP | OVF |
| Access |     |   |   |   |   |   |   | R/W | R/W |
| Reset  |     |   |   |   |   |   |   | 0   | 0   |

**Bit 1 – CMP** Compare Match Interrupt Flag

This flag is set when the value from the Count (RTC.CNT) register matches the value from the Compare (RTC.CMP) register.

Writing a '1' to this bit clears the flag.

**Bit 0 – OVF** Overflow Interrupt Flag

This flag is set when the value from the Count (RTC.CNT) register has reached the value from the Period (RTC.PER) register and wrapped to zero.

Writing a '1' to this bit clears the flag.



**22.13.5 Temporary**

**Name:** TEMP  
**Offset:** 0x4  
**Reset:** 0x00  
**Property:** -

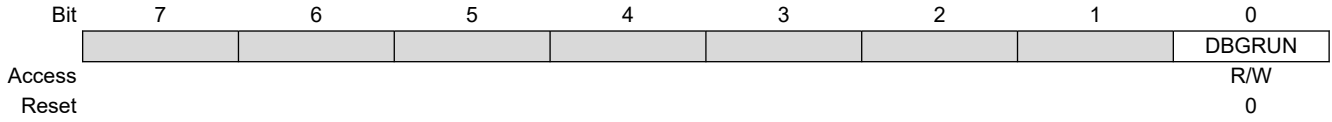
The Temporary register is used by the CPU for 16-bit single-cycle access to the 16-bit registers of this peripheral. The register is common for all the 16-bit registers of this peripheral and can be read and written by software. For more details on reading and writing 16-bit registers, refer to *Accessing 16-Bit Registers* in the *AVR CPU* section.

|        |           |     |     |     |     |     |     |     |
|--------|-----------|-----|-----|-----|-----|-----|-----|-----|
| Bit    | 7         | 6   | 5   | 4   | 3   | 2   | 1   | 0   |
|        | TEMP[7:0] |     |     |     |     |     |     |     |
| Access | R/W       | R/W | R/W | R/W | R/W | R/W | R/W | R/W |
| Reset  | 0         | 0   | 0   | 0   | 0   | 0   | 0   | 0   |

**Bits 7:0 – TEMP[7:0]** Temporary  
 Temporary register for read/write operations in 16-bit registers.

**22.13.6 Debug Control**

**Name:** DBGCTRL  
**Offset:** 0x05  
**Reset:** 0x00  
**Property:** -



**Bit 0 – DBGRUN** Debug Run

| Value | Description  |
|-------|--|
| 0     | The peripheral is halted in Break Debug mode and ignores events                |
| 1     | The peripheral will continue to run in Break Debug mode when the CPU is halted |

### 22.13.7 Crystal Frequency Calibration

**Name:** CALIB  
**Offset:** 0x06  
**Reset:** 0x00  
**Property:** -

This register stores the error value and the type of correction to be done. The register is written by software with an error value based on external calibration and/or temperature correction/s.

|        |     |      |            |     |     |     |     |     |     |
|--------|-----|------|------------|-----|-----|-----|-----|-----|-----|
|        | Bit | 7    | 6          | 5   | 4   | 3   | 2   | 1   | 0   |
|        |     | SIGN | ERROR[6:0] |     |     |     |     |     |     |
| Access |     | R/W  | R/W        | R/W | R/W | R/W | R/W | R/W | R/W |
| Reset  |     | 0    | 0          | 0   | 0   | 0   | 0   | 0   | 0   |

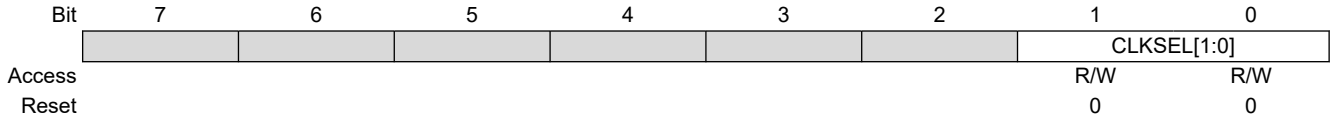
**Bit 7 – SIGN** Error Correction Sign Bit  
 This bit shows the direction of the correction.

| Value | Description   |
|-------|---|
| 0x0   | Positive correction causing the prescaler to count slower   |
| 0x1   | Negative correction causing the prescaler to count faster. This requires that the minimum prescaler configuration is DIV2 |

**Bits 6:0 – ERROR[6:0]** Error Correction Value  
 The number of correction clocks for each million RTC clock cycles interval (PPM).

**22.13.8 Clock Selection**

**Name:** CLKSEL  
**Offset:** 0x07  
**Reset:** 0x00  
**Property:** -



**Bits 1:0 – CLKSEL[1:0]** Clock Select  
 Writing these bits select the source for the RTC clock (CLK\_RTC).

| Value | Name    | Description                    |
|-------|---------|--------------------------------|
| 0x00  | INT32K  | Internal 32.768 kHz oscillator |
| 0x01  | INT1K   | Internal 1.024 kHz oscillator  |
| 0x02  | TOSC32K | 32.768 kHz crystal oscillator  |
| 0x03  | EXTCLK  | External clock from EXTCLK pin |

**22.13.9 Count**

**Name:** CNT  
**Offset:** 0x08  
**Reset:** 0x0000  
**Property:** -

The RTC.CNTL and RTC.CNTH register pair represents the 16-bit value, RTC.CNT. The low byte [7:0] (suffix L) is accessible at the original offset. The high byte [15:8] (suffix H) can be accessed at offset + 0x01.

Due to the synchronization between the RTC clock and main clock domains, there is a latency of two RTC clock cycles from updating the register until this has an effect. The application software needs to check that the CNTBUSY flag in RTC.STATUS is cleared before writing to this register.

|        |           |     |     |     |     |     |     |     |
|--------|-----------|-----|-----|-----|-----|-----|-----|-----|
| Bit    | 15        | 14  | 13  | 12  | 11  | 10  | 9   | 8   |
|        | CNT[15:8] |     |     |     |     |     |     |     |
| Access | R/W       | R/W | R/W | R/W | R/W | R/W | R/W | R/W |
| Reset  | 0         | 0   | 0   | 0   | 0   | 0   | 0   | 0   |
|        |           |     |     |     |     |     |     |     |
| Bit    | 7         | 6   | 5   | 4   | 3   | 2   | 1   | 0   |
|        | CNT[7:0]  |     |     |     |     |     |     |     |
| Access | R/W       | R/W | R/W | R/W | R/W | R/W | R/W | R/W |
| Reset  | 0         | 0   | 0   | 0   | 0   | 0   | 0   | 0   |

**Bits 15:8 – CNT[15:8]** Counter High Byte  
 These bits hold the MSB of the 16-bit Counter register.

**Bits 7:0 – CNT[7:0]** Counter Low Byte  
 These bits hold the LSB of the 16-bit Counter register.

### 22.13.10 Period

**Name:** PER  
**Offset:** 0x0A  
**Reset:** 0xFFFF  
**Property:** -

The RTC.PERL and RTC.PERH register pair represents the 16-bit value, RTC.PER. The low byte [7:0] (suffix L) is accessible at the original offset. The high byte [15:8] (suffix H) can be accessed at offset + 0x01.

Due to the synchronization between the RTC clock and main clock domains, there is a latency of two RTC clock cycles from updating the register until this has an effect. The application software needs to check that the PERBUSY flag in RTC.STATUS is cleared before writing to this register.

|        |           |     |     |     |     |     |     |     |
|--------|-----------|-----|-----|-----|-----|-----|-----|-----|
| Bit    | 15        | 14  | 13  | 12  | 11  | 10  | 9   | 8   |
|        | PER[15:8] |     |     |     |     |     |     |     |
| Access | R/W       | R/W | R/W | R/W | R/W | R/W | R/W | R/W |
| Reset  | 1         | 1   | 1   | 1   | 1   | 1   | 1   | 1   |
|        |           |     |     |     |     |     |     |     |
| Bit    | 7         | 6   | 5   | 4   | 3   | 2   | 1   | 0   |
|        | PER[7:0]  |     |     |     |     |     |     |     |
| Access | R/W       | R/W | R/W | R/W | R/W | R/W | R/W | R/W |
| Reset  | 1         | 1   | 1   | 1   | 1   | 1   | 1   | 1   |

**Bits 15:8 – PER[15:8]** Period High Byte  
 These bits hold the MSB of the 16-bit Period register.

**Bits 7:0 – PER[7:0]** Period Low Byte  
 These bits hold the LSB of the 16-bit Period register.

### 22.13.11 Compare

**Name:** CMP  
**Offset:** 0x0C  
**Reset:** 0x0000  
**Property:** -

The RTC.CMPL and RTC.CMPH register pair represents the 16-bit value, RTC.CMP. The low byte [7:0] (suffix L) is accessible at the original offset. The high byte [15:8] (suffix H) can be accessed at offset + 0x01.

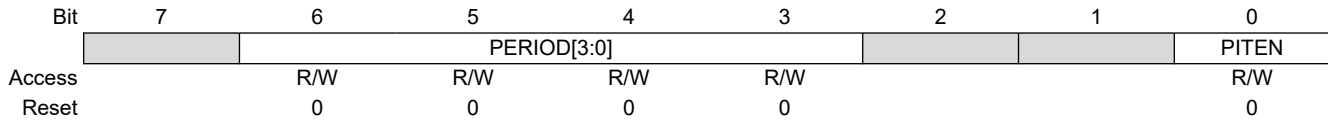
|        |     |           |     |     |     |     |     |     |     |
|--------|-----|-----------|-----|-----|-----|-----|-----|-----|-----|
|        | Bit | 15        | 14  | 13  | 12  | 11  | 10  | 9   | 8   |
|        |     | CMP[15:8] |     |     |     |     |     |     |     |
| Access |     | R/W       | R/W | R/W | R/W | R/W | R/W | R/W | R/W |
| Reset  |     | 0         | 0   | 0   | 0   | 0   | 0   | 0   | 0   |
|        |     |           |     |     |     |     |     |     |     |
|        | Bit | 7         | 6   | 5   | 4   | 3   | 2   | 1   | 0   |
|        |     | CMP[7:0]  |     |     |     |     |     |     |     |
| Access |     | R/W       | R/W | R/W | R/W | R/W | R/W | R/W | R/W |
| Reset  |     | 0         | 0   | 0   | 0   | 0   | 0   | 0   | 0   |

**Bits 15:8 – CMP[15:8]** Compare High Byte  
 These bits hold the MSB of the 16-bit Compare register.

**Bits 7:0 – CMP[7:0]** Compare Low Byte  
 These bits hold the LSB of the 16-bit Compare register.

### 22.13.12 Periodic Interrupt Timer Control A

**Name:** PITCTRLA  
**Offset:** 0x10  
**Reset:** 0x00  
**Property:** -



#### Bits 6:3 – PERIOD[3:0] Period

Writing this bit field selects the number of RTC clock cycles between each interrupt.

| Value | Name     | Description  |
|-------|----------|--------------|
| 0x0   | OFF      | No interrupt |
| 0x1   | CYC4     | 4 cycles     |
| 0x2   | CYC8     | 8 cycles     |
| 0x3   | CYC16    | 16 cycles    |
| 0x4   | CYC32    | 32 cycles    |
| 0x5   | CYC64    | 64 cycles    |
| 0x6   | CYC128   | 128 cycles   |
| 0x7   | CYC256   | 256 cycles   |
| 0x8   | CYC512   | 512 cycles   |
| 0x9   | CYC1024  | 1024 cycles  |
| 0xA   | CYC2048  | 2048 cycles  |
| 0xB   | CYC4096  | 4096 cycles  |
| 0xC   | CYC8192  | 8192 cycles  |
| 0xD   | CYC16384 | 16384 cycles |
| 0xE   | CYC32768 | 32768 cycles |
| 0xF   | -        | Reserved     |

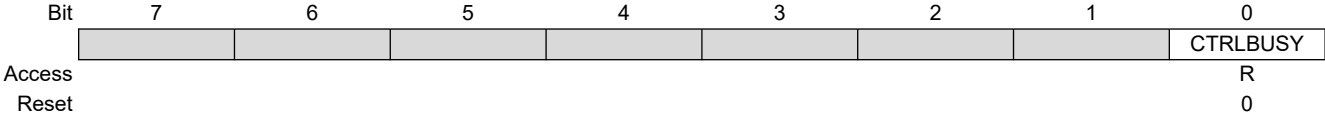
#### Bit 0 – PITEN Periodic Interrupt Timer Enable

| Value | Description                       |
|-------|-----------------------------------|
| 0     | Periodic Interrupt Timer disabled |
| 1     | Periodic Interrupt Timer enabled  |



22.13.13 Periodic Interrupt Timer Status

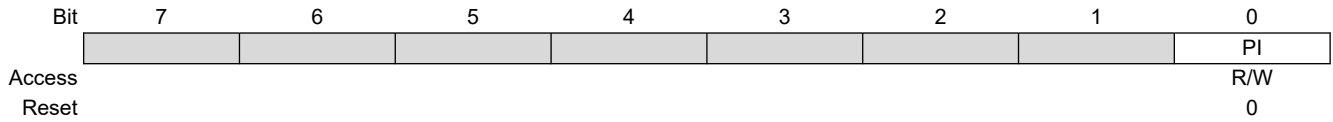
Name: PITSTATUS  
Offset: 0x11  
Reset: 0x00  
Property: -



**Bit 0 – CTRLBUSY** PITCTRLA Synchronization Busy  
This bit is '1' when the RTC is busy synchronizing the Periodic Interrupt Timer Control A (RTC.PITCTRLA) register in the RTC clock domain.

**22.13.14 PIT Interrupt Control**

**Name:** PITINTCTRL  
**Offset:** 0x12  
**Reset:** 0x00  
**Property:** -

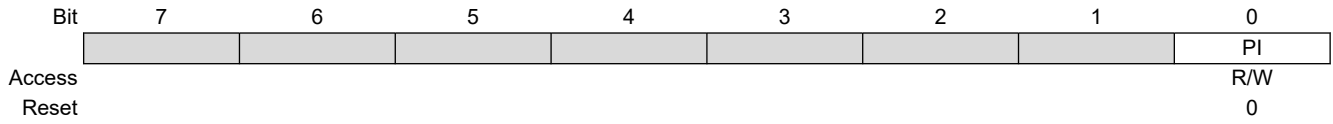


**Bit 0 – PI** Periodic Interrupt

| Value | Description                        |
|-------|------------------------------------|
| 0     | The periodic interrupt is disabled |
| 1     | The periodic interrupt is enabled  |

22.13.15 PIT Interrupt Flag

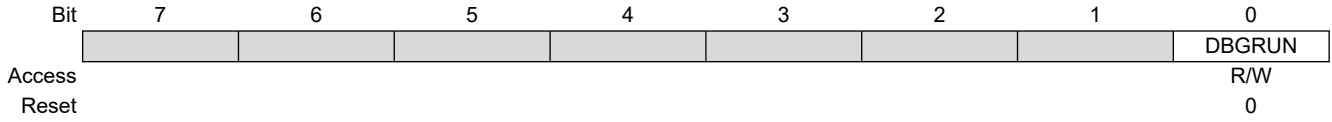
**Name:** PITINTFLAGS  
**Offset:** 0x13  
**Reset:** 0x00  
**Property:** -



**Bit 0 – PI** Periodic Interrupt Flag  
This flag is set when a periodic interrupt is issued.  
Writing a '1' clears the flag.

**22.13.16 Periodic Interrupt Timer Debug Control**

**Name:** PITDBGCTRL  
**Offset:** 0x15  
**Reset:** 0x00  
**Property:** -



**Bit 0 – DBGRUN** Debug Run

| Value | Description  |
|-------|--|
| 0     | The peripheral is halted in Break Debug mode and ignores events                |
| 1     | The peripheral will continue to run in Break Debug mode when the CPU is halted |

## 23. USART - Universal Synchronous and Asynchronous Receiver and Transmitter

### 23.1 Features

- Full-Duplex Operation
- Half-Duplex Operation:
  - One-Wire mode
  - RS-485 mode
- Asynchronous or Synchronous Operation
- Supports Serial Frames with Five, Six, Seven, Eight or Nine Data Bits and One or Two Stop Bits
- Fractional Baud Rate Generator:
  - Can generate the desired baud rate from any peripheral clock frequency
  - No need for an external oscillator
- Built-In Error Detection and Correction Schemes:
  - Odd or even parity generation and parity check
  - Buffer overflow and frame error detection
  - Noise filtering including false Start bit detection and digital low-pass filter
- Separate Interrupts for:
  - Transmit complete
  - Transmit Data register empty
  - Receive complete
- Host SPI Mode
- Multiprocessor Communication Mode
- Start-of-Frame Detection
- I<sup>2</sup>C Module for IrDA<sup>®</sup> Compliant Pulse Modulation/Demodulation
- LIN Client Support

### 23.2 Overview

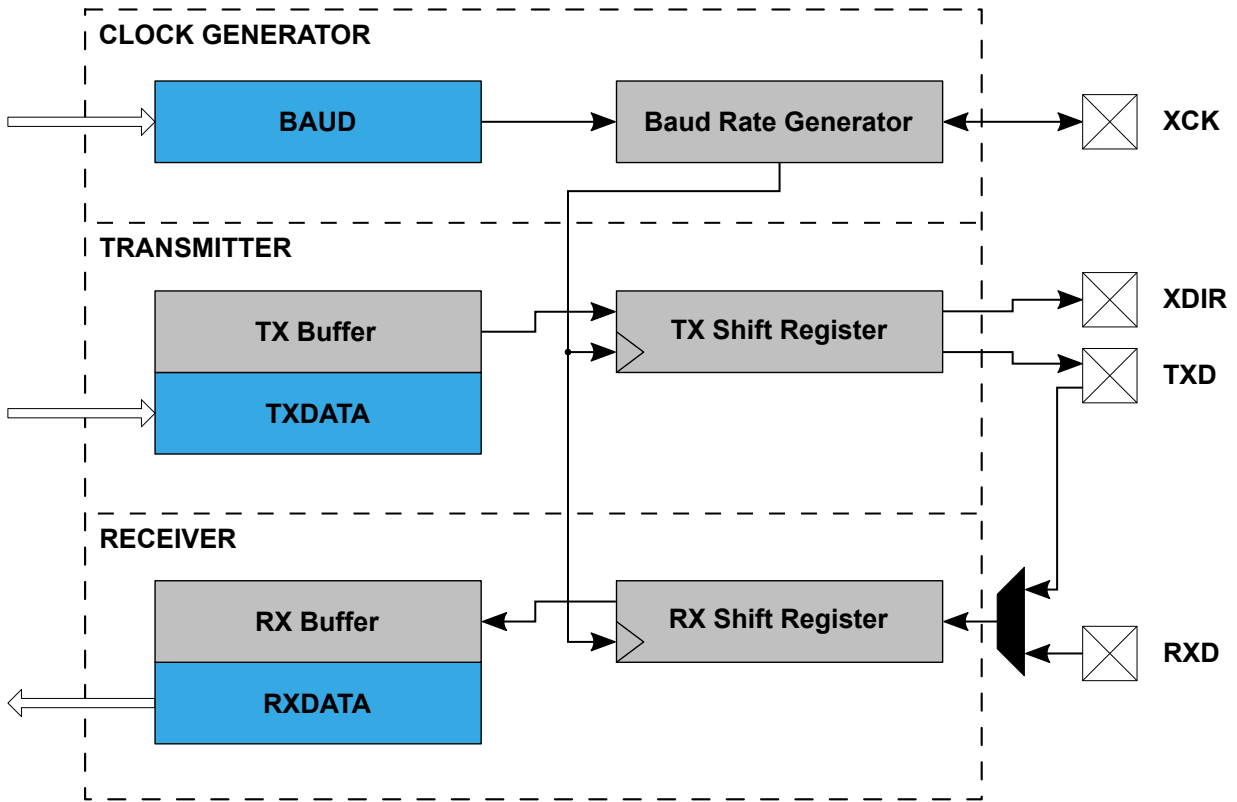
The Universal Synchronous and Asynchronous serial Receiver and Transmitter (USART) is a fast and flexible serial communication peripheral. The USART supports several different modes of operation that can accommodate multiple types of applications and communication devices. For example, the One-Wire Half-Duplex mode is useful when low pin count applications are desired. The communication is frame-based, and the frame format can be customized to support a wide range of standards.

The USART is buffered in both directions, enabling continued data transmission without any delay between frames. Separate interrupts for receive and transmit completion allow fully interrupt-driven communication.

The transmitter consists of a two-level write buffer, a Shift register, and control logic for different frame formats. The receiver consists of a two-level receive buffer and a Shift register. The status information of the received data is available for error checking. Data and clock recovery units ensure robust synchronization and noise filtering during asynchronous data reception.

23.2.1 Block Diagram

Figure 23-1. USART Block Diagram



23.2.2 Signal Description

| Signal | Type         | Description   |
|--------|--------------|---|
| XCK    | Output/input | Clock for synchronous operation                         |
| XDIR   | Output       | Transmit enable for RS-485                              |
| TxD    | Output/input | Transmitting line (and receiving line in One-Wire mode) |
| RxD    | Input        | Receiving line  |

23.3 Functional Description

23.3.1 Initialization

Full-Duplex Mode:

1. Set the baud rate (USARTn.BAUD).
2. Set the frame format and mode of operation (USARTn.CTRLA).
3. Configure the TXD pin as an output.
4. Enable the transmitter and the receiver (USARTn.CTRLB).

Notes:

- For interrupt-driven USART operation, global interrupts must be disabled during the initialization
- Before doing a reinitialization with a changed baud rate or frame format, be sure that there are no ongoing transmissions while the registers are changed

One-Wire Half-Duplex Mode:

1. Internally connect the TXD to the USART receiver (the LBME bit in the USARTn.CTRLA register).
2. Enable internal pull-up for the RX/TX pin (the PULLUPEN bit in the PORTx.PINnCTRL register).
3. Enable Open-Drain mode (the ODME bit in the USARTn.CTRLB register).
4. Set the baud rate (USARTn.BAUD).
5. Set the frame format and mode of operation (USARTn.CTRLC).
6. Enable the transmitter and the receiver (USARTn.CTRLB).

**Notes:**

- When Open-Drain mode is enabled, the TXD pin is automatically set to output by hardware
- For interrupt-driven USART operation, global interrupts must be disabled during the initialization
- Before doing a reinitialization with a changed baud rate or frame format, be sure that there are no ongoing transmissions while the registers are changed

### 23.3.2 Operation

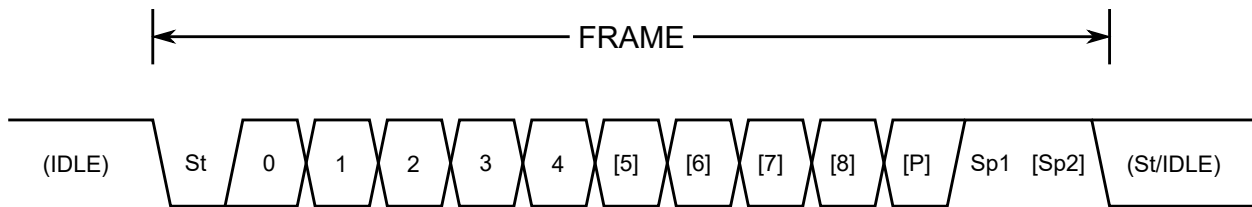
#### 23.3.2.1 Frame Formats

The USART data transfer is frame-based. A frame starts with a Start bit followed by one character of data bits. If enabled, the Parity bit is inserted after the data bits and before the first Stop bit. After the Stop bit(s) of a frame, either the next frame can follow immediately, or the communication line can return to the Idle (high) state. The USART accepts all combinations of the following as valid frame formats:

- 1 Start bit
- 5, 6, 7, 8, or 9 data bits
- No, even, or odd Parity bit
- 1 or 2 Stop bits

The figure below illustrates the possible combinations of frame formats. Bits inside brackets are optional.

**Figure 23-2. Frame Formats**



**St** Start bit, always low

**(n)** Data bits (0 to 8)

**P** Parity bit, may be odd or even

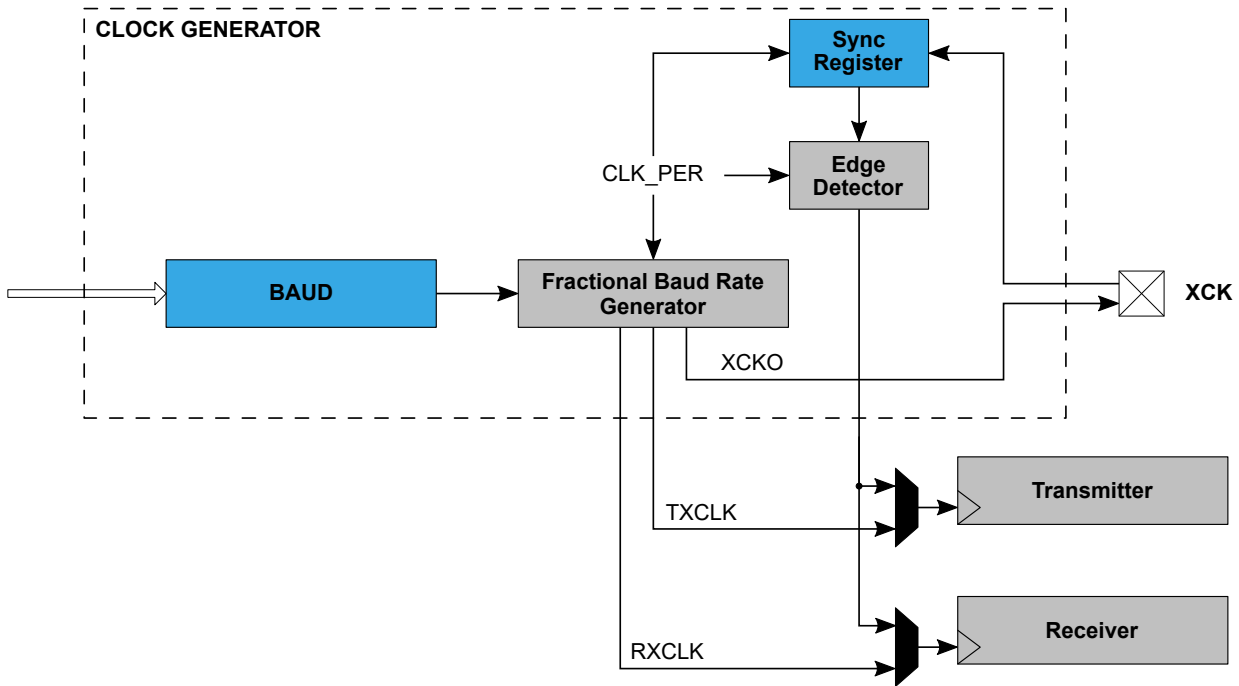
**Sp** Stop bit, always high

**IDLE** No transfer on the communication line (RxD or TxD). The Idle state is always high.

#### 23.3.2.2 Clock Generation

The clock used for shifting and sampling data bits is generated internally by the fractional baud rate generator or externally from the Transfer Clock (XCK) pin.

Figure 23-3. Clock Generation Logic Block Diagram



23.3.2.2.1 The Fractional Baud Rate Generator

In modes where the USART is not using the XCK input as a clock source, the fractional Baud Rate Generator is used to generate the clock. Baud rate is given in terms of bits per second (bps) and is configured by writing the USARTn.BAUD register. The baud rate ( $f_{BAUD}$ ) is generated by dividing the peripheral clock ( $f_{CLK\_PER}$ ) by a division factor decided by the BAUD register.

The fractional Baud Rate Generator features hardware that accommodates cases where  $f_{CLK\_PER}$  is not divisible by  $f_{BAUD}$ . Usually, this situation would lead to a rounding error. The fractional Baud Rate Generator expects the BAUD register to contain the desired division factor left shifted by six bits, as implemented by the equations in Table 23-1. The six Least Significant bits (LSbs) will then hold the fractional part of the desired divisor. Use the fractional part of the BAUD register to dynamically adjust  $f_{BAUD}$  to achieve a closer approximation to the desired baud rate.

Since the baud rate cannot be higher than  $f_{CLK\_PER}$ , the integer part of the BAUD register needs to be at least 1. Since the result is left shifted by six bits, the corresponding minimum value of the BAUD register is 64. The valid range is, therefore, 64 to 65535.

In Synchronous mode, only the 10-bit integer part of the BAUD register (BAUD[15:6]) determines the baud rate, and the fractional part (BAUD[5:0]) must, therefore, be written to zero.

The table below lists equations for translating baud rates into input values for the BAUD register. The equations consider fractional interpretation, so the BAUD values calculated with these equations can be written directly to USARTn.BAUD without any additional scaling.

Table 23-1. Equations for Calculating Baud Rate Register Setting

| Operating Mode   | Conditions   | Baud Rate (Bits Per Seconds)                              | USART.BAUD Register Value Calculation                     |
|------------------|--|---|---|
| Asynchronous     | $f_{BAUD} \leq \frac{f_{CLK\_PER}}{S}$<br>$USART.BAUD \geq 64$ | $f_{BAUD} = \frac{64 \times f_{CLK\_PER}}{S \times BAUD}$ | $BAUD = \frac{64 \times f_{CLK\_PER}}{S \times f_{BAUD}}$ |
| Synchronous Host | $f_{BAUD} \leq \frac{f_{CLK\_PER}}{S}$<br>$USART.BAUD \geq 64$ | $f_{BAUD} = \frac{f_{CLK\_PER}}{S \times BAUD[15:6]}$     | $BAUD[15:6] = \frac{f_{CLK\_PER}}{S \times f_{BAUD}}$     |



S is the number of samples per bit

- Asynchronous Normal mode: S = 16
- Asynchronous Double-Speed mode: S = 8
- Synchronous mode: S = 2

### 23.3.2.3 Data Transmission

The USART transmitter sends data by periodically driving the transmission line low. The data transmission is initiated by loading the Transmit Data (USARTn.TXDATAL and USARTn.TXDATAH) registers with the data to be sent. The data in the Transmit Data registers are moved to the TX Buffer once it is empty and onwards to the Shift register once it is empty and ready to send a new frame. After the Shift register is loaded with data, the data frame will be transmitted.

When the entire frame in the Shift register has been shifted out, and there are no new data present in the Transmit Data registers or the TX Buffer, the Transmit Complete Interrupt Flag (the TXCIF bit in the USARTn.STATUS register) is set, and the interrupt is generated if it is enabled.

The Transmit Data registers can only be written when the Data Register Empty Interrupt Flag (the DREIF bit in the USARTn.STATUS register) is set, indicating that they are empty and ready for new data.

When using frames with fewer than eight bits, the Most Significant bits (MSb) written to the Transmit Data registers are ignored. When the Character Size (CHSIZE) bit field in the Control C (USARTn.CTRLc) register is configured to 9-bit (low byte first), the Transmit Data Register Low Byte (TXDATAL) must be written before the Transmit Data Register High Byte (TXDATAH). When CHSIZE is configured to 9-bit (high byte first), TXDATAH must be written before TXDATAL.

#### 23.3.2.3.1 Disabling the Transmitter

When disabling the transmitter, the operation will not become effective until ongoing and pending transmissions are completed. That is, when the Transmit Shift register, Transmit Data (USARTn.TXDATAL and USARTn.TXDATAH) registers, and TX Buffer register do not contain data to be transmitted. When the transmitter is disabled, it will no longer override the TXD pin, and the PORT module regains control of the pin. The pin is automatically configured as an input by hardware regardless of its previous setting. The pin can now be used as a normal I/O pin with no port override from the USART.

### 23.3.2.4 Data Reception

The USART receiver samples the reception line to detect and interpret the received data. The direction of the pin must, therefore, be configured as an input by writing a '0' to the corresponding bit in the Data Direction (PORTx.DIR) register.

The receiver accepts data when a valid Start bit is detected. Each bit that follows the Start bit will be sampled at the baud rate or XCK clock and shifted into the Receive Shift register until the first Stop bit of a frame is received. A second Stop bit will be ignored by the receiver. When the first Stop bit is received, and a complete serial frame is present in the Receive Shift register, the contents of the Shift register will be moved into the receive buffer. The Receive Complete Interrupt Flag (the RXCIF bit in the USARTn.STATUS register) is set, and the interrupt is generated if enabled.

The RXDATA registers are the part of the double-buffered RX buffer that can be read by the application software when RXCIF is set. If only one frame has been received, the data and status bits for that frame are pushed to the RXDATA registers directly. If two frames are present in the RX buffer, the RXDATA registers contain the data for the oldest frame.

The buffer shifts out the data either when RXDATAL or RXDATAH is read, depending on the configuration. The register, which does not lead to data being shifted, must be read first to be able to read both bytes before shifting. When the Character Size (CHSIZE) bit field in the Control C (USARTn.CTRLc) register is configured to 9-bit (low byte first), a read of RXDATAH shifts the receive buffer. Otherwise, RXDATAL shifts the buffer.

#### 23.3.2.4.1 Receiver Error Flags

The USART receiver features error detection mechanisms that uncover any corruption of the transmission. These mechanisms include the following:

- Frame Error detection - controls whether the received frame is valid
- Buffer Overflow detection - indicates data loss due to the receiver buffer being full and overwritten by the new data

- Parity Error detection - checks the validity of the incoming frame by calculating its parity and comparing it to the Parity bit

Each error detection mechanism controls one error flag that can be read in the RXDATAH register:

- Frame Error (FERR)
- Buffer Overflow (BUFOVF)
- Parity Error (PERR)

The error flags are located in the RX buffer together with their corresponding frame. The RXDATAH register that contains the error flags must be read before the RXDATAL register since reading the RXDATAL register will trigger the RX buffer to shift out the RXDATA bytes.

**Note:** If the Character Size (CHSIZE) bit field in the Control C (USARTn.CTRLA) register is set to nine bits, low byte first (9BITL), the RXDATAH register will, instead of the RXDATAL register, trigger the RX buffer to shift out the RXDATA bytes. The RXDATAL register must, in that case, be read before the RXDATAH register.

#### 23.3.2.4.2 Disabling the Receiver

When disabling the receiver, the operation is immediate. The receiver buffer will be flushed, and data from ongoing receptions will be lost.

#### 23.3.2.4.3 Flushing the Receive Buffer

If the RX buffer has to be flushed during normal operation, repeatedly read the DATA location (USARTn.RXDATAH and USARTn.RXDATAL registers) until the Receive Complete Interrupt Flag (the RXCIF bit in the USARTn.RXDATAH register) is cleared.

### 23.3.3 Communication Modes

The USART is a flexible peripheral that supports multiple different communication protocols. The available modes of operation can be split into two groups: Synchronous and asynchronous communication.

The synchronous communication relies on one device on the bus to be the host, providing the rest of the devices with a clock signal through the XCK pin. All the devices use this common clock signal for both transmission and reception, requiring no additional synchronization mechanism.

The device can be configured to run either as a host or a client on the synchronous bus.

The asynchronous communication does not use a common clock signal. Instead, it relies on the communicating devices to be configured with the same baud rate. When receiving a transmission, the hardware synchronization mechanisms are used to align the incoming transmission with the receiving device peripheral clock.

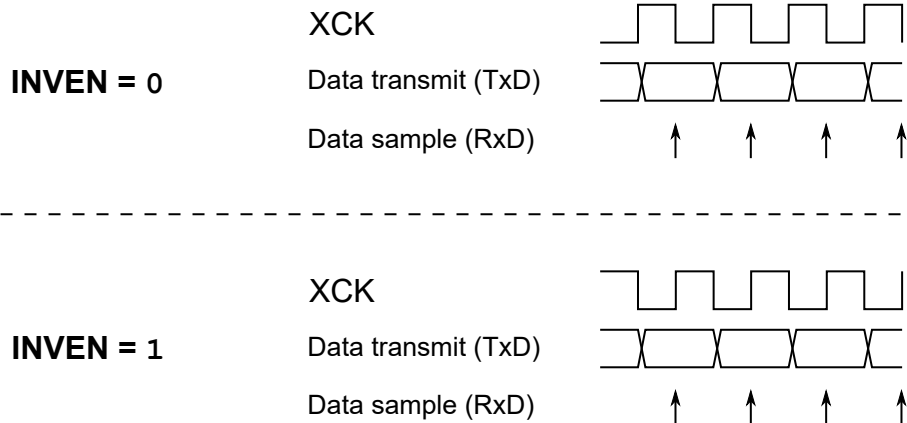
Four different modes of reception are available when communicating asynchronously. One of these modes can receive transmissions at twice the normal speed, sampling only eight times per bit instead of the normal 16. The other three operating modes use variations of synchronization logic, all receiving at normal speed.

#### 23.3.3.1 Synchronous Operation

##### 23.3.3.1.1 Clock Operation

The XCK pin direction controls whether the transmission clock is an input (Client mode) or an output (Host mode). The corresponding port pin direction must be set to output for Host mode or input for Client mode (PORTx.DIRn). The data input (on RXD) is sampled at the XCK clock edge, which is opposite the edge where data are transmitted (on TXD), as shown in the figure below.

Figure 23-4. Synchronous Mode XCK Timing



The I/O pin can be inverted by writing a '1' to the Inverted I/O Enable (INVEN) bit in the Pin n Control register of the port peripheral (PORTx.PINnCTRL). When using the inverted I/O setting for the corresponding XCK port pin, the XCK clock edges used for sampling RxD and transmitting on TxD can be selected. If the inverted I/O is disabled (INVEN = 0), the rising XCK clock edge represents the start of a new data bit, and the received data will be sampled at the falling XCK clock edge. If inverted I/O is enabled (INVEN = 1), the falling XCK clock edge represents the start of a new data bit, and the received data will be sampled at the rising XCK clock edge.

**23.3.3.1.2 External Clock Limitations**

When the USART is configured in Synchronous Client mode, the XCK signal must be provided externally by the host device. Since the clock is provided externally, configuring the BAUD register will have no impact on the transfer speed. Successful clock recovery requires the clock signal to be sampled at least twice for each rising and falling edge. The maximum XCK speed in Synchronous Operation mode,  $f_{Client\_XCK}$ , is therefore limited by:

$$f_{Client\_XCK} < \frac{f_{CLK\_PER}}{4}$$

If the XCK clock has jitter, or if the high/low period duty cycle is not 50/50, the maximum XCK clock speed must be reduced accordingly to ensure that XCK is sampled a minimum of two times for each edge.

**23.3.3.1.3 USART in Host SPI Mode**

The USART may be configured to function with multiple different communication interfaces, and one of these is the Serial Peripheral Interface (SPI), where it can work as the host device. The SPI is a four-wire interface that enables a host device to communicate with one or multiple clients.

**Frame Formats**

The serial frame for the USART in Host SPI mode always contains eight Data bits. The Data bits can be configured to be transmitted with either the LSb or MSb first by writing to the Data Order (UDORD) bit in the Control C (USARTn.CTRLC) register.

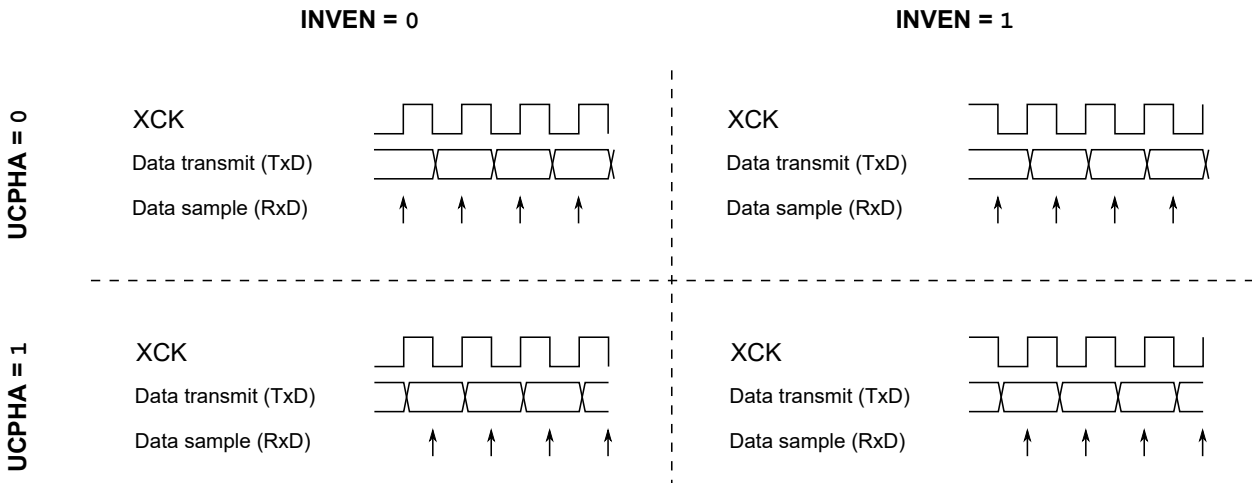
SPI does not use Start, Stop, or Parity bits, so the transmission frame can only consist of the Data bits.

**Clock Generation**

Being a host device in a synchronous communication interface, the USART in Host SPI mode must generate the interface clock to be shared with the client devices. The interface clock is generated using the fractional Baud Rate Generator, which is described in [23.3.2.2.1 The Fractional Baud Rate Generator](#).

Each Data bit is transmitted by pulling the data line high or low for one full clock period. The receiver will sample bits in the middle of the transmitter hold period, as shown in the figure below. It also shows how the timing scheme can be configured using the Inverted I/O Enable (INVEN) bit in the PORTx.PINnCTRL register and the USART Clock Phase (UCPHA) bit in the USARTn.CTRLC register.

**Figure 23-5. Data Transfer Timing Diagrams**



The table below further explains the figure above.

**Table 23-2. Functionality of the INVEN and UCPHA Bits**

| INVEN | UCPHA | Leading Edge <sup>(1)</sup> | Trailing Edge <sup>(1)</sup> |
|-------|-------|-----------------------------|------------------------------|
| 0     | 0     | Rising, sample              | Falling, transmit            |
| 0     | 1     | Rising, transmit            | Falling, sample              |
| 1     | 0     | Falling, sample             | Rising, transmit             |
| 1     | 1     | Falling, transmit           | Rising, sample               |

**Note:**

1. The leading edge is the first clock edge of a clock cycle. The trailing edge is the last clock edge of a clock cycle.

**Data Transmission**

Data transmission in Host SPI mode is functionally identical to the general USART operation, as described in the *Operation* section. The transmitter interrupt flags and corresponding USART interrupts are also identical. See [23.3.2.3 Data Transmission](#) for further description.

**Data Reception**

Data reception in Host SPI mode is identical in function to general USART operation as described in the *Operation* section. The receiver interrupt flags and the corresponding USART interrupts are also identical, except for the receiver error flags that are not in use and always read as '0'. See [23.3.2.4 Data Reception](#) for further description.

**USART in Host SPI Mode vs. SPI**

The USART in Host SPI mode is fully compatible with a stand-alone SPI peripheral. Their data frame and timing configurations are identical. Some SPI specific special features are, however, not supported with the USART in Host SPI mode:

- Write Collision Flag Protection
- Double-Speed mode
- Multi-Host support

A comparison of the pins used with USART in Host SPI mode and with SPI is shown in the table below.

**Table 23-3. Comparison of USART in Host SPI Mode and SPI Pins**

| USART | SPI  | Comment  |
|-------|------|----------|
| TXD   | MOSI | Host out |
| RXD   | MISO | Host in  |

| .....continued |                 |  |
|----------------|-----------------|--|
| USART          | SPI             | Comment  |
| XCK            | SCK             | Functionally identical                                 |
| -              | $\overline{SS}$ | Not supported by USART in Host SPI mode <sup>(1)</sup> |

**Note:**

1. For the stand-alone SPI peripheral, this pin is used with the Multi-Host function or as a dedicated Client Select pin. The Multi-Host function is not available with the USART in Host SPI mode, and no dedicated Client Select pin is available.

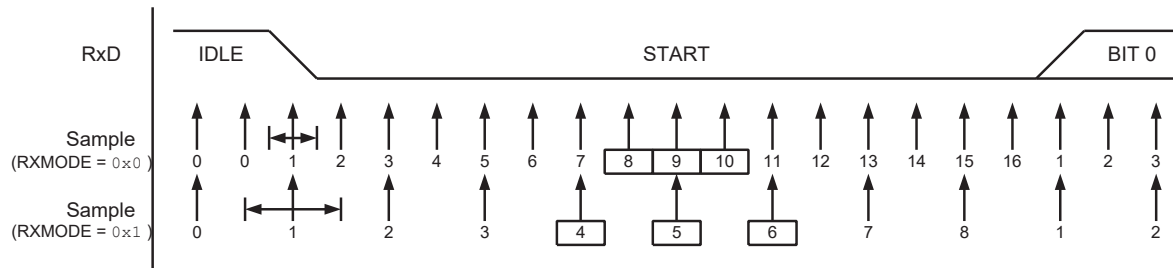
**23.3.3.2 Asynchronous Operation**

**23.3.3.2.1 Clock Recovery**

Since there is no common clock signal when using Asynchronous mode, each communicating device generates separate clock signals. These clock signals must be configured to run at the same baud rate for the communication to take place. The devices, therefore, run at the same speed, but their timing is skewed in relation to each other. To accommodate this, the USART features a hardware clock recovery unit which synchronizes the incoming asynchronous serial frames with the internally generated baud rate clock.

The figure below illustrates the sampling process for the Start bit of an incoming frame. It shows the timing scheme for both Normal and Double-Speed mode (the RXMODE bit field in the USARTn.CTRLB register configured respectively to 0x00 and 0x01). The sample rate for Normal mode is 16 times the baud rate, while the sample rate for Double-Speed mode is eight times the baud rate (see 23.3.3.2.4 Double-Speed Operation for more details). The horizontal arrows show the maximum synchronization error. Note that the maximum synchronization error is larger in Double-Speed mode.

**Figure 23-6. Start Bit Sampling**

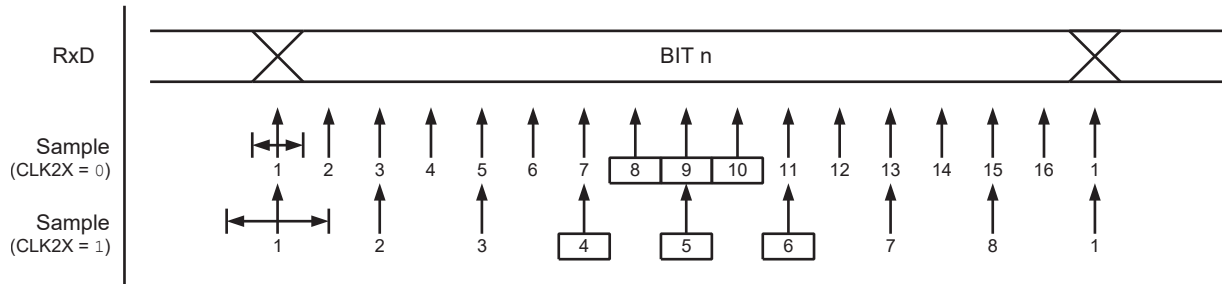


When the clock recovery logic detects a falling edge from the Idle (high) state to the Start bit (low), the Start bit detection sequence is initiated. In the figure above, sample 1 denotes the first sample reading '0'. The clock recovery logic then uses three subsequent samples (samples 8, 9, and 10 in Normal mode, and samples 4, 5, 6 in Double-Speed mode) to decide if a valid Start bit is received. If two or three samples read '0', the Start bit is accepted. The clock recovery unit is synchronized, and the data recovery can begin. If less than two samples read '0', the Start bit is rejected. This process is repeated for each Start bit.

**23.3.3.2.2 Data Recovery**

As with clock recovery, the data recovery unit samples at a rate 8 or 16 times faster than the baud rate depending on whether it is running in Double-Speed or Normal mode, respectively. The figure below shows the sampling process for reading a bit in a received frame.

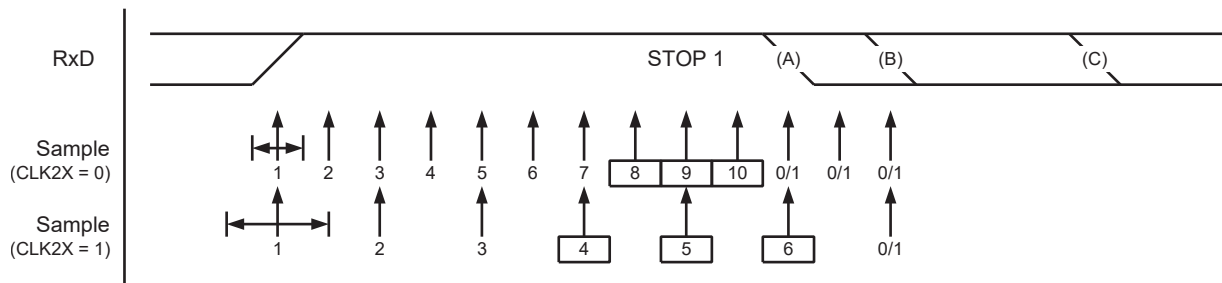
Figure 23-7. Sampling of Data and Parity Bits



A majority voting technique is, like with clock recovery, used on the three center samples for deciding the logic level of the received bit. The process is repeated for each bit until a complete frame is received.

The data recovery unit will only receive the first Stop bit while ignoring the rest if there are more. If the sampled Stop bit is read '0', the Frame Error flag will be set. The figure below shows the sampling of a Stop bit. It also shows the earliest possible beginning of the next frame's Start bit.

Figure 23-8. Stop Bit and Next Start Bit Sampling



A new high-to-low transition indicating the Start bit of a new frame can come right after the last of the bits used for majority voting. For Normal-Speed mode, the first low-level sample can be at the point marked (A) in the figure above. For Double-Speed mode, the first low level must be delayed to point (B), being the first sample after the majority vote samples. Point (C) marks a Stop bit of full length at the nominal baud rate.

23.3.3.2.3 Error Tolerance

The speed of the internally generated baud rate and the externally received data rate has to be identical, but, due to natural clock source error, this is usually not the case. The USART is tolerant of such error, and the limits of this tolerance make up what is sometimes known as the Operational Range.

The following tables list the operational range of the USART, being the maximum receiver baud rate error that can be tolerated. Note that Normal-Speed mode has higher toleration of baud rate variations than Double-Speed mode.

Table 23-4. Recommended Maximum Receiver Baud Rate Error for Normal-Speed Mode

| D  | R <sub>slow</sub> [%] | R <sub>fast</sub> [%] | Maximum Total Error [%] | Recommended Max. Receiver Error [%] |
|----|-----------------------|-----------------------|-------------------------|-------------------------------------|
| 5  | 93.20                 | 106.67                | -6.80/+6.67             | ±3.0                                |
| 6  | 94.12                 | 105.79                | -5.88/+5.79             | ±2.5                                |
| 7  | 94.81                 | 105.11                | -5.19/+5.11             | ±2.0                                |
| 8  | 95.36                 | 104.58                | -4.54/+4.58             | ±2.0                                |
| 9  | 95.81                 | 104.14                | -4.19/+4.14             | ±1.5                                |
| 10 | 96.17                 | 103.78                | -3.83/+3.78             | ±1.5                                |

Notes:

- D: The sum of character size and parity size (D = 5 to 10 bits)
- R<sub>SLOW</sub>: The ratio of the slowest incoming data rate that can be accepted in relation to the receiver baud rate
- R<sub>FAST</sub>: The ratio of the fastest incoming data rate that can be accepted in relation to the receiver baud rate

**Table 23-5. Recommended Maximum Receiver Baud Rate Error for Double-Speed Mode**

| D  | R <sub>slow</sub> [%] | R <sub>fast</sub> [%] | Maximum Total Error [%] | Recommended Max. Receiver Error [%] |
|----|-----------------------|-----------------------|-------------------------|-------------------------------------|
| 5  | 94.12                 | 105.66                | -5.88/+5.66             | ±2.5                                |
| 6  | 94.92                 | 104.92                | -5.08/+4.92             | ±2.0                                |
| 7  | 95.52                 | 104.35                | -4.48/+4.35             | ±1.5                                |
| 8  | 96.00                 | 103.90                | -4.00/+3.90             | ±1.5                                |
| 9  | 96.39                 | 103.53                | -3.61/+3.53             | ±1.5                                |
| 10 | 96.70                 | 103.23                | -3.30/+3.23             | ±1.0                                |

**Notes:**

- D: The sum of character size and parity size (D = 5 to 10 bits)
- R<sub>SLOW</sub>: The ratio of the slowest incoming data rate that can be accepted in relation to the receiver baud rate
- R<sub>FAST</sub>: The ratio of the fastest incoming data rate that can be accepted in relation to the receiver baud rate

The recommendations of the maximum receiver baud rate error were made under the assumption that the receiver and transmitter equally divide the maximum total error.

The following equations are used to calculate the maximum ratio of the incoming data rate and the internal receiver baud rate.

|  |  |
|--|--|
| $R_{SLOW} = \frac{S(D + 1)}{S(D + 1) + S_F - 1}$ | $R_{FAST} = \frac{S(D + 2)}{S(D + 1) + S_M}$ |
|--|--|

- D: The sum of character size and parity size (D = 5 to 10 bits)
- S: Samples per bit. S = 16 for Normal-Speed mode and S = 8 for Double-Speed mode.
- S<sub>F</sub>: First sample number used for majority voting. SF = 8 for Normal-Speed mode and SF = 4 for Double-Speed mode.
- S<sub>M</sub>: Middle sample number used for majority voting. SM = 9 for Normal-Speed mode and SM = 5 for Double-Speed mode.
- R<sub>SLOW</sub>: The ratio of the slowest incoming data rate that can be accepted in relation to the receiver baud rate
- R<sub>FAST</sub>: The ratio of the fastest incoming data rate that can be accepted in relation to the receiver baud rate

### 23.3.3.2.4 Double-Speed Operation

The double-speed operation allows for higher baud rates under asynchronous operation with lower peripheral clock frequencies. This operation mode is enabled by writing the RXMODE bit field in the Control B (USARTn.CTRLB) register to 0x01.

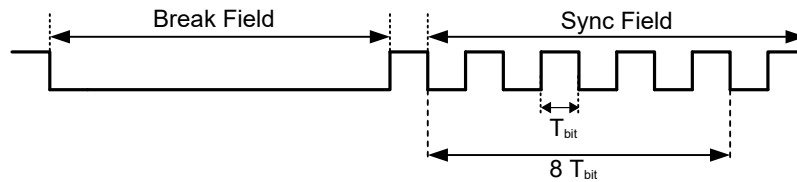
When enabled, the baud rate for a given asynchronous baud rate setting will be doubled, as shown in the equations in [23.3.2.1 The Fractional Baud Rate Generator](#). In this mode, the receiver will use half the number of samples (reduced from 16 to 8) for data sampling and clock recovery. This requires a more accurate baud rate setting and peripheral clock. See [23.3.3.2.3 Error Tolerance](#) for more details.

### 23.3.3.2.5 Auto-Baud

The auto-baud feature lets the USART configure its BAUD register based on input from a communication device, which allows the device to communicate autonomously with multiple devices communicating with different baud rates. The USART peripheral features two auto-baud modes: Generic Auto-Baud mode and LIN Constrained Auto-Baud mode.

Both auto-baud modes must receive an auto-baud frame, as seen in the figure below.

Figure 23-9. Auto-Baud Timing



The break field is detected when 12 or more consecutive low cycles are sampled and notifies the USART that it is about to receive the synchronization field. After the break field, when the Start bit of the synchronization field is detected, a counter running at the peripheral clock speed is started. The counter is then incremented for the next eight  $T_{bit}$  of the synchronization field. When all eight bits are sampled, the counter is stopped. The resulting counter value is in effect the new BAUD register value.

When the USART Receive mode is set to GENAUTO (the RXMODE bit field in the USARTn.CTRLB register), the Generic Auto-Baud mode is enabled. In this mode, one can set the Wait For Break (WFB) bit in the USARTn.STATUS register to enable detection of a break field of any length (that is, also shorter than 12 cycles). This makes it possible to set an arbitrary new baud rate without knowing the current baud rate. If the measured sync field results in a valid BAUD value ( $0x0064 - 0xFFFF$ ), the BAUD register is updated.

When USART Receive mode is set to LINAUTO mode (the RXMODE bit field in the USARTn.CTRLB register), it follows the LIN format. The WFB functionality of the Generic Auto-Baud mode is not compatible with the LIN Constrained Auto-Baud mode, which means that the received signal must be low for 12 peripheral clock cycles or more for a break field to be valid. When a break field has been detected, the USART expects the following synchronization field character to be  $0x55$ . The tolerance for the difference in baud rates between the two synchronizing devices can be configured using the Auto-baud Window Size (ABW) bit field in the Control D (USARTn.CTRLD) register. If any of these conditions are not met, the Inconsistent Sync Field Error Flag (the ISFIF bit in the USARTn.STATUS register) is set, and the baud rate is unchanged.

### 23.3.3.2.6 Half-Duplex Operation

Half-duplex is a type of communication where two or more devices may communicate with each other, but only one at a time. The USART can be configured to operate in the following half-duplex modes:

- One-Wire mode
- RS-485 mode

#### One-Wire Mode

One-Wire mode is enabled by setting the Loop-Back Mode Enable (LBME) bit in the USARTn.CTRLA register. This will enable an internal connection between the TXD pin and the USART receiver, making the TXD pin a combined TxD/RxD line. The RXD pin will be disconnected from the USART receiver and may be controlled by a different peripheral.

In One-Wire mode, multiple devices can manipulate the TxD/RxD line at the same time. In the case where one device drives the pin to a logical high level ( $V_{CC}$ ), and another device pulls the line low (GND), a short will occur. To accommodate this, the USART features an Open-Drain mode (the ODME bit in the USARTn.CTRLB register), which prevents the transmitter from driving a pin to a logical high level, thereby constraining it to only be able to pull it low. Combining this function with the internal pull-up feature (the PULLUPEN bit in the PORTx.PINnCTRL register) will let the line be held high through a pull-up resistor, allowing any device to pull it low. When the line is pulled low, the current from  $V_{CC}$  to GND will be limited by the pull-up resistor. The TXD pin is automatically set to output by hardware when the Open-Drain mode is enabled.

When the USART is transmitting to the TxD/RxD line, it will also receive its transmission. This can be used to detect overlapping transmissions by checking if the received data are the same as the transmitted data.

#### RS-485 Mode

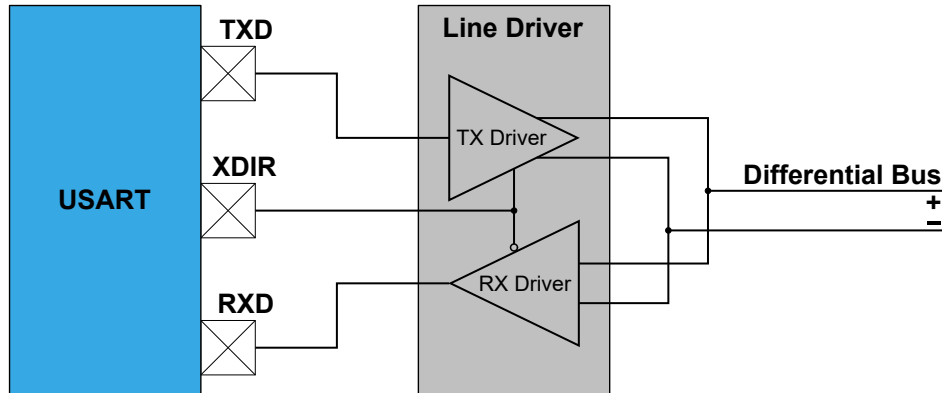
RS-485 is a communication standard supported by the USART peripheral. It is a physical interface that defines the setup of a communication circuit. Data are transmitted using differential signaling, making communication robust against noise. RS-485 is enabled by writing to the RS485 bit field in the USARTn.CTRLA register.

The RS-485 mode supports external line driver devices that convert a single USART transmission into corresponding differential pair signals. Writing RS485[0] to '1' enables the automatic control of the XDIR pin that can be used to enable transmission or reception for the line driver device. The USART automatically drives the XDIR pin high while



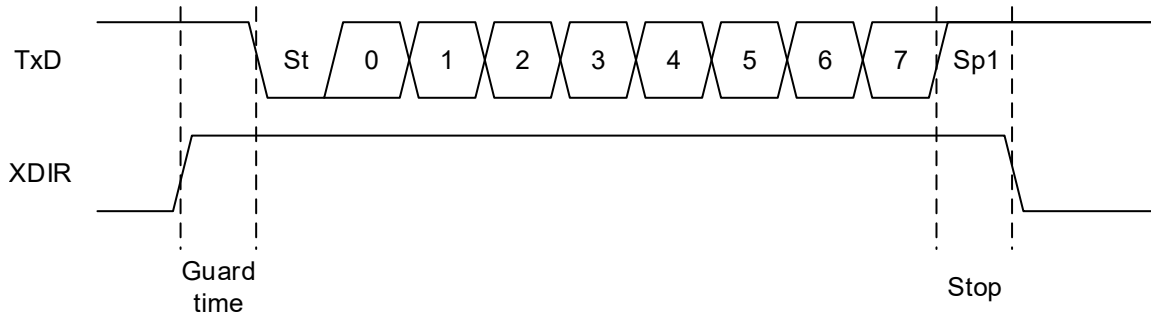
the USART is transmitting and pulls it low when the transmission is complete. An example of such a circuit is shown in the figure below.

Figure 23-10. RS-485 Bus Connection



The XDIR pin goes high one baud clock cycle in advance of data being shifted out to allow some guard time to enable the external line driver. The XDIR pin will remain high for the complete frame, including Stop bit(s).

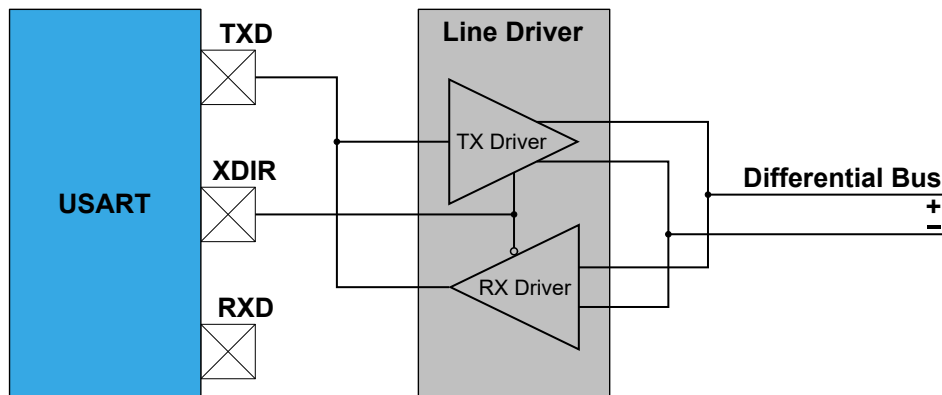
Figure 23-11. XDIR Drive Timing



Writing RS485[1] to '1' enables the RS-485 mode, which automatically sets the TXD pin to output one clock cycle before starting transmission and sets it back to input when the transmission is complete.

RS-485 mode is compatible with One-Wire mode. One-Wire mode enables an internal connection between the TXD pin and the USART receiver, making the TXD pin a combined TxD/RxD line. The RXD pin will be disconnected from the USART receiver and may be controlled by a different peripheral. An example of such a circuit is shown in the figure below.

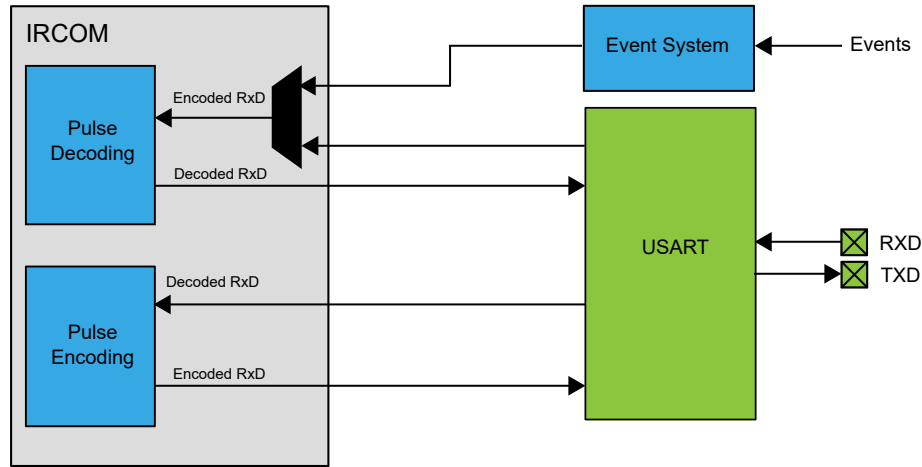
Figure 23-12. RS-485 with Loop-Back Mode Connection



23.3.3.2.7 IRCOM Mode of Operation

The USART peripheral can be configured in Infrared Communication mode (IRCOM), which is IrDA® 1.4 compatible with baud rates up to 115.2 kbps. When enabled, the IRCOM mode enables infrared pulse encoding/decoding for the USART.

Figure 23-13. Block Diagram



The USART is set in IRCOM mode by writing 0x02 to the CMODE bit field in the USARTn.CTRLC register. The data on the TXD/RXD pins are the inverted values of the transmitted/received infrared pulse. It is also possible to select an event channel from the Event System as an input for the IRCOM receiver. This enables the IRCOM to receive input from the I/O pins or sources other than the corresponding RXD pin, which will disable the RxD input from the USART pin.

For transmission, three pulse modulation schemes are available:

- 3/16 of the baud rate period
- Fixed programmable pulse time based on the peripheral clock frequency
- Pulse modulation disabled

For the reception, a fixed programmable minimum high-level pulse-width for the pulse to be decoded as a logical '0' is used. Shorter pulses will then be discarded, and the bit will be decoded to logical '1' as if no pulse was received.

Double-Speed mode cannot be used for the USART when IRCOM mode is enabled.

23.3.4 Additional Features

23.3.4.1 Parity

Parity bits can be used by the USART to check the validity of a data frame. The Parity bit is set by the transmitter based on the number of bits with the value of '1' in a transmission and controlled by the receiver upon reception. If the Parity bit is inconsistent with the transmission frame, the receiver may assume that the data frame has been corrupted.

Even or odd parity can be selected for error checking by writing the Parity Mode (PMODE) bit field in the USARTn.CTRLC register. If even parity is selected, the Parity bit is set to '1' if the number of Data bits with value '1' is odd (making the total number of bits with value '1' even). If odd parity is selected, the Parity bit is set to '1' if the number of data bits with value '1' is even (making the total number of bits with value '1' odd).

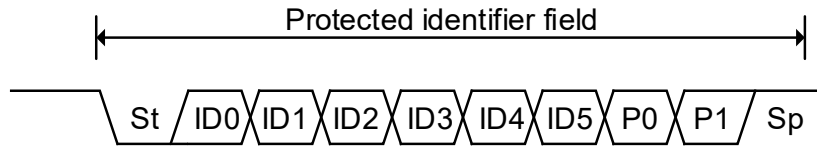
When enabled, the parity checker calculates the parity of the data bits in incoming frames and compares the result with the Parity bit of the corresponding frame. If a parity error is detected, the Parity Error flag (the PERR bit in the USARTn.RXDATAH register) is set.

If LIN Constrained Auto-Baud mode is enabled (RXMODE = 0x03 in the USARTn.CTRLB register), a parity check is performed only on the protected identifier field. A parity error is detected if one of the equations below is not true, which sets the Parity Error flag.

$$P0 = ID0 \text{ XOR } ID1 \text{ XOR } ID2 \text{ XOR } ID4$$

$$P1 = \text{NOT} (ID1 \text{ XOR } ID3 \text{ XOR } ID4 \text{ XOR } ID5)$$

Figure 23-14. Protected Identifier Field and Mapping of Identifier and Parity Bits



23.3.4.2 Start-of-Frame Detection

The Start-of-Frame Detection feature enables the USART to wake up from Standby sleep mode upon data reception.

When a high-to-low transition is detected on the RXD pin, the oscillator is powered up, and the USART peripheral clock is enabled. After start-up, the rest of the data frame can be received, provided that the baud rate is slow enough concerning the oscillator start-up time. The start-up time of the oscillators varies with supply voltage and temperature. For details on oscillator start-up time characteristics, refer to the *Electrical Characteristics* section.

If a false Start bit is detected, the device will, if another wake-up source has not been triggered, go back into the Standby sleep mode.

The Start-of-Frame detection works in Asynchronous mode only. It is enabled by writing the Start-of-Frame Detection Enable (SFDEN) bit in the USARTn.CTRLB register. If a Start bit is detected while the device is in Standby sleep mode, the USART Receive Start Interrupt Flag (RXSIF) bit is set.

The USART Receive Complete Interrupt Flag (RXCIF) bit and the RXSIF bit share the same interrupt line, but each has its dedicated interrupt settings. The table below shows the USART Start Frame Detection modes, depending on the interrupt setting.

Table 23-6. USART Start Frame Detection Modes

| SFDEN | RXSIF Interrupt | RXCIF Interrupt | Comment  |
|-------|-----------------|-----------------|--|
| 0     | x               | x               | Standard mode  |
| 1     | Disabled        | Disabled        | Only the oscillator is powered during the frame reception. If the interrupts are disabled and buffer overflow is ignored, all incoming frames will be lost |
| 1     | Disabled        | Enabled         | System/all clocks are awakened on Receive Complete interrupt   |
| 1     | Enabled         | x               | System/all clocks are awakened when a Start bit is detected  |

**Note:** The SLEEP instruction will not shut down the oscillator if there is ongoing communication.

23.3.4.3 Multiprocessor Communication

The Multiprocessor Communication mode (MPCM) effectively reduces the number of incoming frames that have to be handled by the receiver in a system with multiple microcontrollers communicating via the same serial bus. This mode is enabled by writing a '1' to the MPCM bit in the Control B (USARTn.CTRLB) register. In this mode, a dedicated bit in the frames is used to indicate whether the frame is an address or data frame type.

If the receiver is set up to receive frames that contain five to eight data bits, the first Stop bit is used to indicate the frame type. If the receiver is set up for frames with nine data bits, the ninth bit is used to indicate frame type. When the frame type bit is '1', the frame contains an address. When the frame type bit is '0', the frame is a data frame. If 5- to 8-bit character frames are used, the transmitter must be set to use two Stop bits since the first Stop bit is used for indicating the frame type.

If a particular client MCU has been addressed, it will receive the following data frames as usual, while the other client MCUs will ignore the frames until another address frame is received.

23.3.4.3.1 Using Multiprocessor Communication

Use the following procedure to exchange data in Multiprocessor Communication mode (MPCM):

1. All client MCUs are in Multiprocessor Communication mode.
2. The host MCU sends an address frame, and all clients receive and read this frame.

3. Each client MCU determines if it has been selected.
4. The addressed MCU will disable MPCM and receive all data frames. The other client MCUs will ignore the data frames.
5. When the addressed MCU has received the last data frame, it must enable MPCM again and wait for a new address frame from the host.

The process then repeats from step 2.

### 23.3.5 Events

The USART can generate the events described in the table below.

**Table 23-7. Event Generators in USART**

| Generator Name |       | Description   | Event Type | Generating Clock Domain | Length of Event |
|----------------|-------|---|------------|-------------------------|-----------------|
| Peripheral     | Event |   |            |                         |                 |
| USARTn         | XCK   | The clock signal in SPI Host mode and Synchronous USART Host mode | Pulse      | CLK_PER                 | One XCK period  |

The table below describes the event user and its associated functionality.

**Table 23-8. Event Users in USART**

| User Name  |       | Description             | Input Detection | Async/Sync |
|------------|-------|-------------------------|-----------------|------------|
| Peripheral | Input |                         |                 |            |
| USARTn     | IREI  | USARTn IrDA event input | Pulse           | Sync       |

### 23.3.6 Interrupts

**Table 23-9. Available Interrupt Vectors and Sources**

| Name | Vector Description            | Conditions   |
|------|-------------------------------|--|
| RXC  | Receive Complete interrupt    | <ul style="list-style-type: none"> <li>• There is unread data in the receive buffer (RXCIE)</li> <li>• Receive of Start-of-Frame detected (RXSIE)</li> <li>• Auto-Baud Error/ISFIF flag set (ABEIE)</li> </ul> |
| DRE  | Data Register Empty interrupt | The transmit buffer is empty/ready to receive new data (DREIE)   |
| TXC  | Transmit Complete interrupt   | The entire frame in the Transmit Shift register has been shifted out and there are no new data in the transmit buffer (TXCIE)  |

When an Interrupt condition occurs, the corresponding Interrupt flag is set in the STATUS (USARTn.STATUS) register.

An interrupt source is enabled or disabled by writing to the corresponding bit in the Control A (USARTn.CTRLA) register.

An interrupt request is generated when the corresponding interrupt source is enabled, and the Interrupt flag is set. The interrupt request remains active until the Interrupt flag is cleared. See the USARTn.STATUS register for details on how to clear Interrupt flags.

### 23.4 Register Summary

| Offset | Name                     | Bit Pos. | 7          | 6         | 5          | 4     | 3      | 2           | 1          | 0       |
|--------|--------------------------|----------|------------|-----------|------------|-------|--------|-------------|------------|---------|
| 0x00   | <a href="#">RXDATA</a>   | 7:0      | DATA[7:0]  |           |            |       |        |             |            |         |
| 0x01   | <a href="#">RXDATAH</a>  | 7:0      | RXCIF      | BUFOVF    |            |       |        | FERR        | PERR       | DATA[8] |
| 0x02   | <a href="#">TXDATA</a>   | 7:0      | DATA[7:0]  |           |            |       |        |             |            |         |
| 0x03   | <a href="#">TXDATAH</a>  | 7:0      |            |           |            |       |        |             |            | DATA[8] |
| 0x04   | <a href="#">STATUS</a>   | 7:0      | RXCIF      | TXCIF     | DREIF      | RXSIF | ISFIF  |             | BDF        | WFB     |
| 0x05   | <a href="#">CTRLA</a>    | 7:0      | RXCIE      | TXCIE     | DREIE      | RXSIE | LBME   | ABEIE       | RS485[1:0] |         |
| 0x06   | <a href="#">CTRLB</a>    | 7:0      | RXEN       | TXEN      |            | SFDEN | ODME   | RXMODE[1:0] |            | MPCM    |
| 0x07   | <a href="#">CTRLC</a>    | 7:0      | CMODE[1:0] |           | PMODE[1:0] |       | SBMODE | CHSIZE[2:0] |            |         |
| 0x07   | <a href="#">CTRLC</a>    | 7:0      | CMODE[1:0] |           |            |       |        | UDORD       | UCPHA      |         |
| 0x08   | <a href="#">BAUD</a>     | 7:0      | BAUD[7:0]  |           |            |       |        |             |            |         |
|        |                          | 15:8     | BAUD[15:8] |           |            |       |        |             |            |         |
| 0x0A   | <a href="#">CTRLD</a>    | 7:0      | ABW[1:0]   |           |            |       |        |             |            |         |
| 0x0B   | <a href="#">DBGCTRL</a>  | 7:0      |            |           |            |       |        |             |            | DBGRUN  |
| 0x0C   | <a href="#">EVCTRL</a>   | 7:0      |            |           |            |       |        |             |            | IREI    |
| 0x0D   | <a href="#">TXPLCTRL</a> | 7:0      | TXPL[7:0]  |           |            |       |        |             |            |         |
| 0x0E   | <a href="#">RXPLCTRL</a> | 7:0      |            | RXPL[6:0] |            |       |        |             |            |         |

### 23.5 Register Description

### 23.5.1 Receiver Data Register Low Byte

**Name:** RXDATA  
**Offset:** 0x00  
**Reset:** 0x00  
**Property:** -

This register contains the eight LSbs of the data received by the USART receiver. The USART receiver is double-buffered, and this register always represents the data for the oldest received frame. If the data for only one frame is present in the receive buffer, this register contains that data.

The buffer shifts out the data either when RXDATA or RXDATAH is read, depending on the configuration. The register, which does not lead to data being shifted, must be read first to be able to read both bytes before shifting.

When the Character Size (CHSIZE) bit field in the Control C (USARTn.CTRL) register is configured to 9-bit (low byte first), a read of RXDATAH shifts the receive buffer, or else, RXDATA shifts the buffer.

| Bit    | 7         | 6 | 5 | 4 | 3 | 2 | 1 | 0 |
|--------|-----------|---|---|---|---|---|---|---|
|        | DATA[7:0] |   |   |   |   |   |   |   |
| Access | R         | R | R | R | R | R | R | R |
| Reset  | 0         | 0 | 0 | 0 | 0 | 0 | 0 | 0 |

**Bits 7:0 – DATA[7:0]** Receiver Data Register

**23.5.2 Receiver Data Register High Byte**

**Name:** RXDATAH  
**Offset:** 0x01  
**Reset:** 0x00  
**Property:** -

This register contains the MSb of the data received by the USART receiver, as well as status bits reflecting the status of the received data frame. The USART receiver is double-buffered, and this register always represents the data and status bits for the oldest received frame. If the data and status bits for only one frame is present in the receive buffer, this register contains that data.

The buffer shifts out the data either when RXDATAL or RXDATAH is read, depending on the configuration. The register, which does not lead to data being shifted, must be read first to be able to read both bytes before shifting.

When the Character Size (CHSIZE) bits in the Control C (USARTn.CTRLC) register is configured to 9-bit (low byte first), a read of RXDATAH shifts the receive buffer, or else, RXDATAL shifts the buffer.

| Bit    | 7     | 6      | 5 | 4 | 3 | 2    | 1    | 0       |
|--------|-------|--------|---|---|---|------|------|---------|
|        | RXCIF | BUFOVF |   |   |   | FERR | PERR | DATA[8] |
| Access | R     | R      |   |   |   | R    | R    | R       |
| Reset  | 0     | 0      |   |   |   | 0    | 0    | 0       |

**Bit 7 – RXCIF** USART Receive Complete Interrupt Flag  
 This flag is set when there are unread data in the receive buffer and cleared when the receive buffer is empty.

**Bit 6 – BUFOVF** Buffer Overflow  
 This flag is set if a buffer overflow is detected. A buffer overflow occurs when the receive buffer is full, a new frame is waiting in the receive shift register, and a new Start bit is detected. This flag is cleared when the Receiver Data (USARTn.RXDATAL and USARTn.RXDATAH) registers are read.  
 This flag is not used in the Host SPI mode of operation.

**Bit 2 – FERR** Frame Error  
 This flag is set if the first Stop bit is '0' and cleared when it is correctly read as '1'.  
 This flag is not used in the Host SPI mode of operation.

**Bit 1 – PERR** Parity Error  
 This flag is set if parity checking is enabled and the received data has a parity error, or else, this flag cleared. For details on parity calculation, refer to [23.3.4.1 Parity](#).  
 This flag is not used in the Host SPI mode of operation.

**Bit 0 – DATA[8]** Receiver Data Register  
 When using a 9-bit frame size, this bit holds the ninth bit (MSb) of the received data.  
 When the Receiver Mode (RXMODE) bit field in the Control B (USARTn.CTRLB) register is configured to LIN Constrained Auto-Baud (LINAUTO) mode, this bit indicates if the received data are within the response space of a LIN frame. This bit is cleared if the received data are in the protected identifier field and is otherwise set.

### 23.5.3 Transmit Data Register Low Byte

**Name:** TXDATAL  
**Offset:** 0x02  
**Reset:** 0x00  
**Property:** -

The data written to this register is automatically loaded into the TX Buffer and through to the dedicated Shift register. The shift register outputs each of the bits serially to the TXD pin.

When using a 9-bit frame size, the ninth bit (MSb) must be written to the Transmit Data Register High Byte (USARTn.TXDATAH). In that case, the buffer shifts data either when the Transmit Data Register Low Byte (USARTn.TXDATAH) or the Transmit Data Register High Byte (USARTn.TXDATAH) is written, depending on the configuration. The register, which does not lead to data being shifted, must be written first to be able to write both registers before shifting.

When the Character Size (CHSIZE) bit field in the Control C (USARTn.CTRLA) register is configured to 9-bit (low byte first), a write of the Transmit Data Register High Byte shifts the transmit buffer. Otherwise, the Transmit Data Register Low Byte shifts the buffer.

This register may only be written when the Data Register Empty Interrupt Flag (DREIF) in the Status (USARTn.STATUS) register is set.

|        |           |     |     |     |     |     |     |     |
|--------|-----------|-----|-----|-----|-----|-----|-----|-----|
| Bit    | 7         | 6   | 5   | 4   | 3   | 2   | 1   | 0   |
|        | DATA[7:0] |     |     |     |     |     |     |     |
| Access | R/W       | R/W | R/W | R/W | R/W | R/W | R/W | R/W |
| Reset  | 0         | 0   | 0   | 0   | 0   | 0   | 0   | 0   |

**Bits 7:0 – DATA[7:0]** Transmit Data Register Low Byte



### 23.5.4 Transmit Data Register High Byte

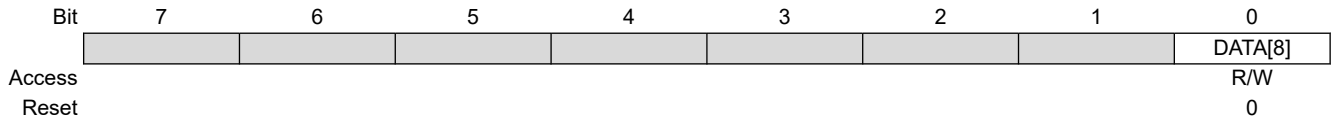
**Name:** TXDATAH  
**Offset:** 0x03  
**Reset:** 0x00  
**Property:** -

The data written to this register is automatically loaded into the TX Buffer and through to the dedicated Shift register. The shift register outputs each of the bits serially to the TXD pin.

When using a 9-bit frame size, the ninth bit (MSb) must be written to the Transmit Data Register High Byte (USARTn.TXDATAH). In that case, the buffer shifts data either when the Transmit Data Register Low Byte (USARTn.TXDATAH) or the Transmit Data Register High Byte (USARTn.TXDATAH) is written, depending on the configuration. The register, which does not lead to data being shifted, must be written first to be able to write both registers before shifting.

When the Character Size (CHSIZE) bit field in the Control C (USARTn.CTRLA) register is configured to 9-bit (low byte first), a write of the Transmit Data Register High Byte shifts the transmit buffer. Otherwise, the Transmit Data Register Low Byte shifts the buffer.

This register may only be written when the Data Register Empty Interrupt Flag (DREIF) in the Status (USARTn.STATUS) register is set.



**Bit 0 – DATA[8]** Transmit Data Register High Byte

23.5.5 USART Status Register

**Name:** STATUS  
**Offset:** 0x04  
**Reset:** 0x00  
**Property:** -

|        |       |       |       |       |       |   |     |     |
|--------|-------|-------|-------|-------|-------|---|-----|-----|
| Bit    | 7     | 6     | 5     | 4     | 3     | 2 | 1   | 0   |
|        | RXCIF | TXCIF | DREIF | RXSIF | ISFIF |   | BDF | WFB |
| Access | R     | R/W   | R     | R/W   | R/W   |   | R/W | W   |
| Reset  | 0     | 0     | 1     | 0     | 0     |   | 0   | 0   |

**Bit 7 – RXCIF** USART Receive Complete Interrupt Flag  
 This flag is set when there are unread data in the receive buffer and cleared when the receive buffer is empty.

**Bit 6 – TXCIF** USART Transmit Complete Interrupt Flag  
 This flag is set when the entire frame in the Transmit Shift register has been shifted out, and there are no new data in the transmit buffer (TXDATAL and TXDATAH) registers. It is cleared by writing a '1' to it.

**Bit 5 – DREIF** USART Data Register Empty Interrupt Flag  
 This flag is set when the Transmit Data (USARTn.TXDATAL and USARTn.TXDATAH) registers are empty and cleared when they contain data that has not yet been moved into the transmit shift register.

**Bit 4 – RXSIF** USART Receive Start Interrupt Flag  
 This flag is set when Start-of-Frame detection is enabled, the device is in Standby sleep mode, and a valid start bit is detected. It is cleared by writing a '1' to it.  
 This flag is not used in the Host SPI mode operation.

**Bit 3 – ISFIF** Inconsistent Synchronization Field Interrupt Flag  
 This flag is set if an auto-baud mode is enabled, and the synchronization field is too short or too long to give a valid baud setting. It will also be set when USART is set to LINAUTO mode, and the SYNC character differs from data value 0x55. This flag is cleared by writing a '1' to it. See the *Auto-Baud* section for more information.

**Bit 1 – BDF** Break Detected Flag  
 This flag is set if an auto-baud mode is enabled and a valid break and synchronization character is detected, and is cleared when the next data are received. It can also be cleared by writing a '1' to it. See the *Auto-Baud* section for more information.

**Bit 0 – WFB** Wait For Break  
 This bit controls whether the Wait For Break feature is enabled or not. Refer to the *Auto-Baud* section for more information.

| Value | Description                |
|-------|----------------------------|
| 0     | Wait For Break is disabled |
| 1     | Wait For Break is enabled  |

### 23.5.6 Control A

**Name:** CTRLA  
**Offset:** 0x05  
**Reset:** 0x00  
**Property:** -

| Bit    | 7     | 6     | 5     | 4     | 3    | 2     | 1          | 0   |
|--------|-------|-------|-------|-------|------|-------|------------|-----|
|        | RXCIE | TXCIE | DREIE | RXSIE | LBME | ABEIE | RS485[1:0] |     |
| Access | R/W   | R/W   | R/W   | R/W   | R/W  | R/W   | R/W        | R/W |
| Reset  | 0     | 0     | 0     | 0     | 0    | 0     | 0          | 0   |

#### Bit 7 – RXCIE Receive Complete Interrupt Enable

This bit controls whether the Receive Complete Interrupt is enabled or not. When enabled, the interrupt will be triggered when the RXCIF bit in the USARTn.STATUS register is set.

| Value | Description                                |
|-------|--|
| 0     | The Receive Complete Interrupt is disabled |
| 1     | The Receive Complete Interrupt is enabled  |

#### Bit 6 – TXCIE Transmit Complete Interrupt Enable

This bit controls whether the Transmit Complete Interrupt is enabled or not. When enabled, the interrupt will be triggered when the TXCIF bit in the USARTn.STATUS register is set.

| Value | Description                                 |
|-------|---|
| 0     | The Transmit Complete Interrupt is disabled |
| 1     | The Transmit Complete Interrupt is enabled  |

#### Bit 5 – DREIE Data Register Empty Interrupt Enable

This bit controls whether the Data Register Empty Interrupt is enabled or not. When enabled, the interrupt will be triggered when the DREIF bit in the USARTn.STATUS register is set.

| Value | Description                                   |
|-------|---|
| 0     | The Data Register Empty Interrupt is disabled |
| 1     | The Data Register Empty Interrupt is enabled  |

#### Bit 4 – RXSIE Receiver Start Frame Interrupt Enable

This bit controls whether the Receiver Start Frame Interrupt is enabled or not. When enabled, the interrupt will be triggered when the RXSIF bit in the USARTn.STATUS register is set.

| Value | Description                                    |
|-------|--|
| 0     | The Receiver Start Frame Interrupt is disabled |
| 1     | The Receiver Start Frame Interrupt is enabled  |

#### Bit 3 – LBME Loop-Back Mode Enable

This bit controls whether the Loop-back mode is enabled or not. When enabled, an internal connection between the TXD pin and the USART receiver is created, and the input from the RXD pin to the USART receiver is disconnected.

| Value | Description                |
|-------|----------------------------|
| 0     | Loop-back mode is disabled |
| 1     | Loop-back mode is enabled  |

#### Bit 2 – ABEIE Auto-Baud Error Interrupt Enable

This bit controls whether the Auto-baud Error Interrupt is enabled or not. When enabled, the interrupt will be triggered when the ISFIF bit in the USARTn.STATUS register is set.

| Value | Description                               |
|-------|---|
| 0     | The Auto-Baud Error Interrupt is disabled |
| 1     | The Auto-Baud Error Interrupt is enabled  |

**Bits 1:0 – RS485[1:0]** RS-485 Mode

This bit field enables the RS-485 and selects the operation mode. Writing RS485[0] to '1' enables the RS-485 mode, which automatically drives the XDIR pin high one clock cycle before starting transmission and pulls it low again when the transmission is complete. Writing RS485[1] to '1' enables the RS-485 mode, which automatically sets the TXD pin to output one clock cycle before starting transmission and sets it back to input when the transmission is complete.

### 23.5.7 Control B

**Name:** CTRLB  
**Offset:** 0x06  
**Reset:** 0x00  
**Property:** -

| Bit    | 7    | 6    | 5 | 4     | 3    | 2           | 1   | 0    |
|--------|------|------|---|-------|------|-------------|-----|------|
|        | RXEN | TXEN |   | SFDEN | ODME | RXMODE[1:0] |     | MPCM |
| Access | R/W  | R/W  |   | R/W   | R/W  | R/W         | R/W | R/W  |
| Reset  | 0    | 0    |   | 0     | 0    | 0           | 0   | 0    |

#### Bit 7 – RXEN Receiver Enable

This bit controls whether the USART receiver is enabled or not. Refer to [23.3.2.4.2 Disabling the Receiver](#) for more information.

| Value | Description                    |
|-------|--------------------------------|
| 0     | The USART receiver is disabled |
| 1     | The USART receiver is enabled  |

#### Bit 6 – TXEN Transmitter Enable

This bit controls whether the USART transmitter is enabled or not. Refer to [23.3.2.3.1 Disabling the Transmitter](#) for more information.

| Value | Description                       |
|-------|-----------------------------------|
| 0     | The USART transmitter is disabled |
| 1     | The USART transmitter is enabled  |

#### Bit 4 – SFDEN Start-of-Frame Detection Enable

This bit controls whether the USART Start-of-Frame Detection mode is enabled or not. Refer to [23.3.4.2 Start-of-Frame Detection](#) for more information.

| Value | Description   |
|-------|---|
| 0     | The USART Start-of-Frame Detection mode is disabled |
| 1     | The USART Start-of-Frame Detection mode is enabled  |

#### Bit 3 – ODME Open Drain Mode Enable

This bit controls whether Open Drain mode is enabled or not. See the [One-Wire Mode](#) section for more information.

| Value | Description                 |
|-------|-----------------------------|
| 0     | Open Drain mode is disabled |
| 1     | Open Drain mode is enabled  |

#### Bits 2:1 – RXMODE[1:0] Receiver Mode

Writing this bit field selects the receiver mode of the USART.

- Writing the bits to 0x00 enables Normal-Speed (NORMAL) mode. When the USART Communication Mode (CMODE) bit field in the Control C (USARTn.CTRLC) register is configured to Asynchronous USART (ASYNCHRONOUS) or Infrared Communication (IRCOM), always write the RXMODE bit field to 0x00.
- Writing the bits to 0x01 enables Double-Speed (CLK2X) mode. Refer to [23.3.3.2.4 Double-Speed Operation](#) for more information.
- Writing the bits to 0x02 enables Generic Auto-Baud (GENAUTO) mode. Refer to the *Auto-Baud* section for more information.
- Writing the bits to 0x03 enables Lin Constrained Auto-Baud (LINAUTO) mode. Refer to the *Auto-Baud* section for more information.

| Value | Name    | Description                    |
|-------|---------|--------------------------------|
| 0x00  | NORMAL  | Normal-Speed mode              |
| 0x01  | CLK2X   | Double-Speed mode              |
| 0x02  | GENAUTO | Generic Auto-Baud mode         |
| 0x03  | LINAUTO | LIN Constrained Auto-Baud mode |

---

**Bit 0 – MPCM** Multi-Processor Communication Mode

This bit controls whether the Multi-Processor Communication mode is enabled or not. Refer to [23.3.4.3 Multiprocessor Communication](#) for more information.

| Value | Description                                    |
|-------|--|
| 0     | Multi-Processor Communication mode is disabled |
| 1     | Multi-Processor Communication mode is enabled  |

### 23.5.8 Control C - Normal Mode

**Name:** CTRLC  
**Offset:** 0x07  
**Reset:** 0x03  
**Property:** -

This register description is valid for all modes except the Host SPI mode. When the USART Communication Mode (CMODE) bit field in this register is written to 'MSPI', see [CTRLC - Host SPI mode](#) for the correct description.

| Bit    | 7          | 6   | 5          | 4   | 3      | 2           | 1   | 0   |
|--------|------------|-----|------------|-----|--------|-------------|-----|-----|
|        | CMODE[1:0] |     | PMODE[1:0] |     | SBMODE | CHSIZE[2:0] |     |     |
| Access | R/W        | R/W | R/W        | R/W | R/W    | R/W         | R/W | R/W |
| Reset  | 0          | 0   | 0          | 0   | 0      | 0           | 1   | 1   |

#### Bits 7:6 – CMODE[1:0] USART Communication Mode

This bit field selects the communication mode of the USART.

Writing a 0x03 to these bits alters the available bit fields in this register. See [CTRLC - Host SPI mode](#).

| Value | Name         | Description            |
|-------|--------------|------------------------|
| 0x00  | ASYNCHRONOUS | Asynchronous USART     |
| 0x01  | SYNCHRONOUS  | Synchronous USART      |
| 0x02  | IRCOM        | Infrared Communication |
| 0x03  | MSPI         | Host SPI               |

#### Bits 5:4 – PMODE[1:0] Parity Mode

This bit field enables and selects the type of parity generation. See [23.3.4.1 Parity](#) for more information.

| Value | Name     | Description          |
|-------|----------|----------------------|
| 0x0   | DISABLED | Disabled             |
| 0x1   | -        | Reserved             |
| 0x2   | EVEN     | Enabled, even parity |
| 0x3   | ODD      | Enabled, odd parity  |

#### Bit 3 – SBMODE Stop Bit Mode

This bit selects the number of Stop bits to be inserted by the transmitter.

The receiver ignores this setting.

| Value | Description |
|-------|-------------|
| 0     | 1 Stop bit  |
| 1     | 2 Stop bits |

#### Bits 2:0 – CHSIZE[2:0] Character Size

This bit field selects the number of data bits in a frame. The receiver and transmitter use the same setting. For 9BIT character size, the order of which byte to read or write first, low or high byte of RXDATA or TXDATA, can be configured.

| Value | Name  | Description             |
|-------|-------|-------------------------|
| 0x00  | 5BIT  | 5-bit                   |
| 0x01  | 6BIT  | 6-bit                   |
| 0x02  | 7BIT  | 7-bit                   |
| 0x03  | 8BIT  | 8-bit                   |
| 0x04  | -     | Reserved                |
| 0x05  | -     | Reserved                |
| 0x06  | 9BITL | 9-bit (Low byte first)  |
| 0x07  | 9BITH | 9-bit (High byte first) |

### 23.5.9 Control C - Host SPI Mode

**Name:** CTRLC  
**Offset:** 0x07  
**Reset:** 0x00  
**Property:** -

This register description is valid only when the USART is in Host SPI mode (CMODE written to MSPI). For other CMODE values, see [CTRLC - Normal Mode](#).

See [23.3.3.1.3 USART in Host SPI Mode](#) for a full description of the Host SPI mode operation.

|        |            |     |   |   |   |       |       |   |
|--------|------------|-----|---|---|---|-------|-------|---|
| Bit    | 7          | 6   | 5 | 4 | 3 | 2     | 1     | 0 |
|        | CMODE[1:0] |     |   |   |   | UDORD | UCPHA |   |
| Access | R/W        | R/W |   |   |   | R/W   | R/W   |   |
| Reset  | 0          | 0   |   |   |   | 0     | 0     |   |

#### Bits 7:6 – CMODE[1:0] USART Communication Mode

This bit field selects the communication mode of the USART.

Writing a value different than 0x03 to these bits alters the available bit fields in this register. See [CTRLC - Normal Mode](#).

| Value | Name         | Description            |
|-------|--------------|------------------------|
| 0x00  | ASYNCHRONOUS | Asynchronous USART     |
| 0x01  | SYNCHRONOUS  | Synchronous USART      |
| 0x02  | IRCOM        | Infrared Communication |
| 0x03  | MSPI         | Host SPI               |

#### Bit 2 – UDORD USART Data Order

This bit controls the frame format. The receiver and transmitter use the same setting. Changing the setting of the UDORD bit will corrupt all ongoing communication for both the receiver and the transmitter.

| Value | Description                               |
|-------|---|
| 0     | MSb of the data word is transmitted first |
| 1     | LSb of the data word is transmitted first |

#### Bit 1 – UCPHA USART Clock Phase

This bit controls the phase of the interface clock. Refer to the [Clock Generation](#) section for more information.

| Value | Description                                  |
|-------|--|
| 0     | Data are sampled on the leading (first) edge |
| 1     | Data are sampled on the trailing (last) edge |



### 23.5.10 Baud Register

**Name:** BAUD  
**Offset:** 0x08  
**Reset:** 0x00  
**Property:** -

The USARTn.BAUDL and USARTn.BAUDH register pair represents the 16-bit value, USARTn.BAUD. The low byte [7:0] (suffix L) is accessible at the original offset. The high byte [15:8] (suffix H) can be accessed at offset + 0x01.

Ongoing transmissions of the transmitter and receiver will be corrupted if the baud rate is changed. Writing to this register will trigger an immediate update of the baud rate prescaler. For more information on how to set the baud rate, see [Table 23-1](#).

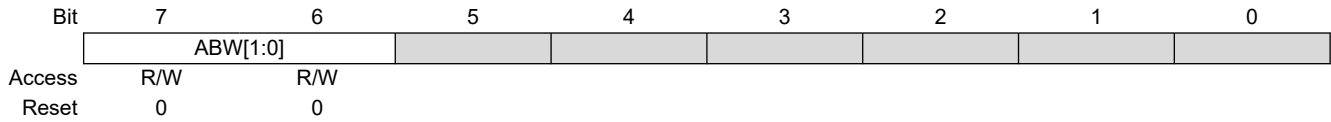
| Bit    | 15         | 14  | 13  | 12  | 11  | 10  | 9   | 8   |
|--------|------------|-----|-----|-----|-----|-----|-----|-----|
|        | BAUD[15:8] |     |     |     |     |     |     |     |
| Access | R/W        | R/W | R/W | R/W | R/W | R/W | R/W | R/W |
| Reset  | 0          | 0   | 0   | 0   | 0   | 0   | 0   | 0   |
| Bit    | 7          | 6   | 5   | 4   | 3   | 2   | 1   | 0   |
|        | BAUD[7:0]  |     |     |     |     |     |     |     |
| Access | R/W        | R/W | R/W | R/W | R/W | R/W | R/W | R/W |
| Reset  | 0          | 0   | 0   | 0   | 0   | 0   | 0   | 0   |

**Bits 15:8 – BAUD[15:8]** USART Baud Rate High Byte  
 This bit field holds the MSB of the 16-bit Baud register.

**Bits 7:0 – BAUD[7:0]** USART Baud Rate Low Byte  
 This bit field holds the LSB of the 16-bit Baud register.

### 23.5.11 Control D

**Name:** CTRLD  
**Offset:** 0x0A  
**Reset:** 0x00  
**Property:** -



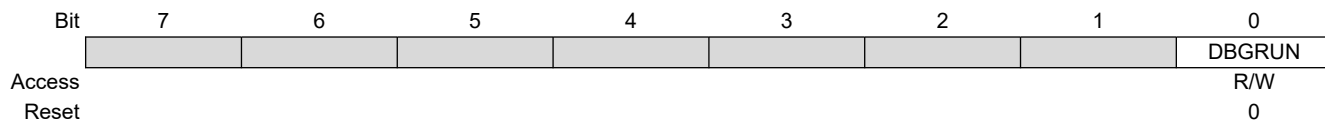
#### Bits 7:6 – ABW[1:0] Auto-Baud Window Size

These bits control the tolerance for the difference between the baud rates between the two synchronizing devices when using Lin Constrained Auto-baud mode. The tolerance is based on the number of baud samples between every two bits. When baud rates are identical, there must be 32 baud samples between each bit pair since each bit is sampled 16 times.

| Value | Name | Description          |
|-------|------|----------------------|
| 0x00  | WDW0 | 32±6 (18% tolerance) |
| 0x01  | WDW1 | 32±5 (15% tolerance) |
| 0x02  | WDW2 | 32±7 (21% tolerance) |
| 0x03  | WDW3 | 32±8 (25% tolerance) |

### 23.5.12 Debug Control Register

**Name:** DBGCTRL  
**Offset:** 0x0B  
**Reset:** 0x00  
**Property:** -



#### Bit 0 – DBGRUN Debug Run

| Value | Description  |
|-------|--|
| 0     | The peripheral is halted in Break Debug mode and ignores events                |
| 1     | The peripheral will continue to run in Break Debug mode when the CPU is halted |

### 23.5.13 IrDA Control Register

**Name:** EVCTRL  
**Offset:** 0x0C  
**Reset:** 0x00  
**Property:** -

|        |   |   |   |   |   |   |   |      |
|--------|---|---|---|---|---|---|---|------|
| Bit    | 7 | 6 | 5 | 4 | 3 | 2 | 1 | 0    |
|        |   |   |   |   |   |   |   | IREI |
| Access |   |   |   |   |   |   |   | R/W  |
| Reset  |   |   |   |   |   |   |   | 0    |

#### Bit 0 – IREI IrDA Event Input Enable

This bit controls whether the IrDA event input is enabled or not. See [23.3.3.2.7 IRCOM Mode of Operation](#) for more information.

| Value | Description                  |
|-------|------------------------------|
| 0     | IrDA Event input is enabled  |
| 1     | IrDA Event input is disabled |

### 23.5.14 IRCOM Transmitter Pulse Length Control Register

**Name:** TXPLCTRL  
**Offset:** 0x0D  
**Reset:** 0x00  
**Property:** -

|        |           |     |     |     |     |     |     |     |
|--------|-----------|-----|-----|-----|-----|-----|-----|-----|
| Bit    | 7         | 6   | 5   | 4   | 3   | 2   | 1   | 0   |
|        | TXPL[7:0] |     |     |     |     |     |     |     |
| Access | R/W       | R/W | R/W | R/W | R/W | R/W | R/W | R/W |
| Reset  | 0         | 0   | 0   | 0   | 0   | 0   | 0   | 0   |

#### Bits 7:0 – TXPL[7:0] Transmitter Pulse Length

This 8-bit value sets the pulse modulation scheme for the transmitter. Setting this register will only have an effect if IRCOM mode is selected by the USART, and it must be configured before the USART transmitter is enabled (TXEN).

| Value         | Description   |
|---------------|---|
| 0x00          | 3/16 of the baud rate period pulse modulation is used   |
| 0x01–<br>0xFE | Fixed pulse length coding is used. The 8-bit value sets the number of peripheral clock periods for the pulse. The start of the pulse will be synchronized with the rising edge of the baud rate clock.                          |
| 0xFF          | Pulse coding disabled. RX and TX signals pass through the IRCOM module unaltered. This enables other features through the IRCOM module, such as half-duplex USART, loop-back testing, and USART RX input from an event channel. |

### 23.5.15 IRCOM Receiver Pulse Length Control Register

**Name:** RXPLCTRL  
**Offset:** 0x0E  
**Reset:** 0x00  
**Property:** -

|        |           |     |     |     |     |     |     |     |
|--------|-----------|-----|-----|-----|-----|-----|-----|-----|
| Bit    | 7         | 6   | 5   | 4   | 3   | 2   | 1   | 0   |
|        | RXPL[6:0] |     |     |     |     |     |     |     |
| Access |           | R/W | R/W | R/W | R/W | R/W | R/W | R/W |
| Reset  |           | 0   | 0   | 0   | 0   | 0   | 0   | 0   |

#### Bits 6:0 – RXPL[6:0] Receiver Pulse Length

This 7-bit value sets the filter coefficient for the IRCOM transceiver. Setting this register will only have an effect if IRCOM mode is selected by a USART, and it must be configured before the USART receiver is enabled (RXEN).

| Value         | Description   |
|---------------|---|
| 0x00          | Filtering disabled  |
| 0x01–<br>0x7F | Filtering enabled. The value of RXPL+1 represents the number of samples required for a received pulse to be accepted. |

## 24. SPI - Serial Peripheral Interface

### 24.1 Features

- Full Duplex, Three-Wire Synchronous Data Transfer
- Host or Client Operation
- LSb First or MSb First Data Transfer
- Seven Programmable Bit Rates
- End of Transmission Interrupt Flag
- Write Collision Flag Protection
- Wake-up from Idle Mode
- Double-Speed (CK/2) Host SPI Mode

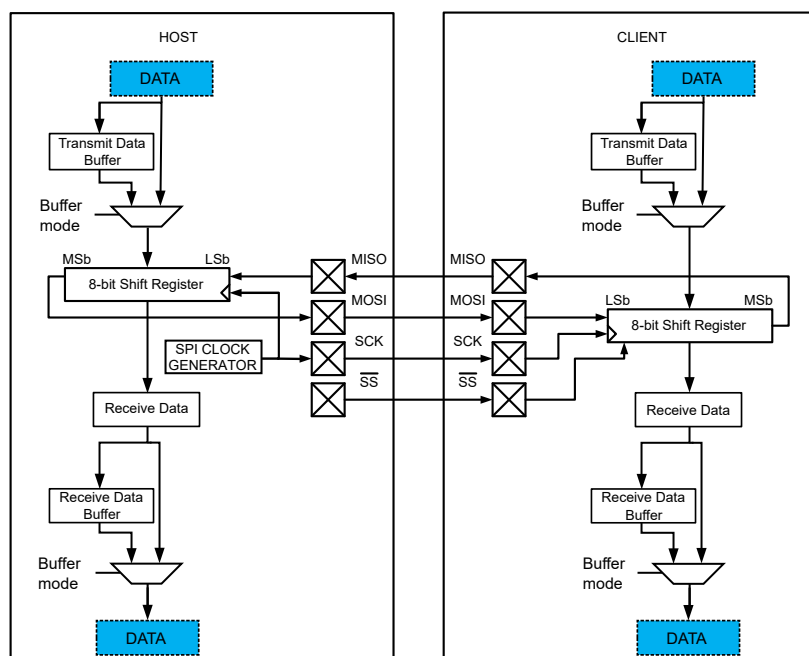
### 24.2 Overview

The Serial Peripheral Interface (SPI) is a high-speed synchronous data transfer interface using three or four pins. It allows full-duplex communication between an AVR® device and peripheral devices or between several microcontrollers. The SPI peripheral can be configured as either host or client. The host initiates and controls all data transactions.

The interconnection between host and client devices with SPI is shown in the block diagram. The system consists of two shift registers and a server clock generator. The SPI host initiates the communication cycle by pulling the desired client's Client Select ( $\overline{SS}$ ) signal low. The host and client prepare the data to be sent to their respective shift registers, and the host generates the required clock pulses on the SCK line to exchange data. Data are always shifted from host to client on the host output, client input (MOSI) line, and from client to host on the host input, client output (MISO) line.

#### 24.2.1 Block Diagram

Figure 24-1. SPI Block Diagram



The SPI is built around an 8-bit shift register that will shift data out and in at the same time. The Transmit Data register and the Receive Data register are not physical registers but are mapped to other registers when written or

read: Writing the Transmit Data (SPIn.DATA) register will write the shift register in Normal mode and the Transmit Buffer register in Buffer mode. Reading the Receive Data (SPIn.DATA) register will read the Receive Data register in Normal mode and the Receive Data Buffer in Buffer mode.

In Host mode, the SPI has a clock generator to generate the SCK clock. In Client mode, the received SCK clock is synchronized and sampled to trigger the shifting of data in the shift register.

### 24.2.2 Signal Description

**Table 24-1. Signals in Host and Client Mode**

| Signal          | Description        | Pin Configuration           |                               |
|-----------------|--------------------|-----------------------------|-------------------------------|
|                 |                    | Host Mode                   | Client Mode                   |
| MOSI            | Host Out Client In | User defined <sup>(1)</sup> | Input                         |
| MISO            | Host In Client Out | Input                       | User defined <sup>(1,2)</sup> |
| SCK             | Serial Clock       | User defined <sup>(1)</sup> | Input                         |
| $\overline{SS}$ | Client Select      | User defined <sup>(1)</sup> | Input                         |

**Notes:**

1. If the pin data direction is configured as output, the pin level is controlled by the SPI.
2. If the SPI is in Client mode and the MISO pin data direction is configured as output, the  $\overline{SS}$  pin controls the MISO pin output in the following way:
  - If the  $\overline{SS}$  pin is driven low, the MISO pin is controlled by the SPI
  - If the  $\overline{SS}$  pin is driven high, the MISO pin is tri-stated

When the SPI module is enabled, the pin data direction for the signals marked with “Input” in [Table 24-1](#) is overridden.

## 24.3 Functional Description

### 24.3.1 Initialization

Initialize the SPI to a basic functional state by following these steps:

1. Configure the  $\overline{SS}$  pin in the port peripheral.
2. Select the SPI host/client operation by writing the Host/Client Select (MASTER) bit in the Control A (SPIn.CTRLA) register.
3. In Host mode, select the clock speed by writing the Prescaler (PRESC) bits and the Clock Double (CLK2X) bit in SPIn.CTRLA.
4. Optional: Select the Data Transfer mode by writing to the MODE bits in the Control B (SPIn.CTRLB) register.
5. Optional: Write the Data Order (DORD) bit in SPIn.CTRLA.
6. Optional: Set up the Buffer mode by writing the BUFEN and BUFWR bits in the Control B (SPIn.CTRLB) register.
7. Optional: To disable the multi-host support in Host mode, write ‘1’ to the Client Select Disable (SSD) bit in SPIn.CTRLB.
8. Enable the SPI by writing a ‘1’ to the ENABLE bit in SPIn.CTRLA.

### 24.3.2 Operation

#### 24.3.2.1 Host Mode Operation

When the SPI is configured in Host mode, a write to the SPIn.DATA register will start a new transfer. The SPI host can operate in two modes, Normal and Buffer, as explained below.

##### 24.3.2.1.1 Normal Mode

In Normal mode, the system is single-buffered in the transmit direction and double-buffered in the receive direction. This influences the data handling in the following ways:



1. New bytes to be sent cannot be written to the DATA (SPIn.DATA) register before the entire transfer has been completed. A premature write will cause corruption of the transmitted data, and the Write Collision (WRCOL) flag in SPIn.INTFLAGS will be set.
2. Received bytes are written to the Receive Data Buffer register immediately after the transmission is completed.
3. The Receive Data Buffer register has to be read before the next transmission is completed, or the data will be lost. This register is read by reading SPIn.DATA.
4. The Transmit Data Buffer and Receive Data Buffer registers are not used in Normal mode.

After a transfer has been completed, the Interrupt Flag (IF) will be set in the Interrupt Flags (SPIn.INTFLAGS) register. This will cause the corresponding interrupt to be executed if this interrupt and the global interrupts are enabled. Setting the Interrupt Enable (IE) bit in the Interrupt Control (SPIn.INTCTRL) register will enable the interrupt.

#### 24.3.2.1.2 Buffer Mode

The Buffer mode is enabled by writing the BUFEN bit in the SPIn.CTRLB register to '1'. The BUFWR bit in SPIn.CTRLB does not affect Host mode. In Buffer mode, the system is double-buffered in the transmit direction and triple-buffered in the receive direction. This influences the data handling in the following ways:

1. New bytes can be written to the DATA (SPIn.DATA) register as long as the Data Register Empty Interrupt Flag (DREIF) in the Interrupt Flag (SPIn.INTFLAGS) register is set. The first write will be transmitted right away, and the following write will go to the Transmit Data Buffer register.
2. A received byte is placed in a two-entry Receive First-In, First-Out (RX FIFO) queue comprised of the Receive Data register and Receive Data Buffer immediately after the transmission is completed.
3. The DATA register is used to read from the RX FIFO. The RX FIFO must be read at least every second transfer to avoid any loss of data.

When both the shift register and the Transmit Data Buffer register become empty, the Transfer Complete Interrupt Flag (TXCIF) in the Interrupt Flags (SPIn.INTFLAGS) register will be set. This will cause the corresponding interrupt to be executed if this interrupt and the global interrupts are enabled. Setting the Transfer Complete Interrupt Enable (TXCIE) in the Interrupt Control (SPIn.INTCTRL) register enables the Transfer Complete Interrupt.

#### 24.3.2.1.3 $\overline{SS}$ Pin Functionality in Host Mode - Multi-Host Support

In Host mode, the Client Select Disable (SSD) bit in the Control B (SPIn.CTRLB) register controls how the SPI uses the  $\overline{SS}$  pin.

- If SSD in SPIn.CTRLB is '0', the SPI can use the  $\overline{SS}$  pin to transition from Host to Client mode. This allows multiple SPI hosts on the same SPI bus.
- If SSD in SPIn.CTRLB is '0', and the  $\overline{SS}$  pin is configured as an output pin, it can be used as a regular I/O pin or by other peripheral modules and will not affect the SPI system
- If SSD in SPIn.CTRLB is '1', the SPI does not use the  $\overline{SS}$  pin. It can be used as a regular I/O pin or by other peripheral modules.

If the SSD bit in SPIn.CTRLB is '0', and the  $\overline{SS}$  is configured as an input pin, the  $\overline{SS}$  pin must be held high to ensure Host SPI operation. A low level will be interpreted as another Host is trying to take control of the bus. This will switch the SPI into Client mode, and the hardware of the SPI will perform the following actions:

1. The Host (MASTER) bit in the SPI Control A (SPIn.CTRLA) register is cleared, and the SPI system becomes a client. The direction of the SPI pins will be switched when the conditions in [Table 24-2](#) are met.
2. The Interrupt Flag (IF) bit in the Interrupt Flags (SPIn.INTFLAGS) register will be set. If the interrupt is enabled and the global interrupts are enabled, the interrupt routine will be executed.

**Table 24-2. Overview of the  $\overline{SS}$  Pin Functionality when the SSD Bit in SPIn.CTRLB is '0'**

| $\overline{SS}$ Configuration | $\overline{SS}$ Pin-Level | Description                               |
|-------------------------------|---------------------------|---|
| Input                         | High                      | Host activated (selected)                 |
|                               | Low                       | Host deactivated, switched to Client mode |
| Output                        | High                      | Host activated (selected)                 |
|                               | Low                       |   |

**Note:** If the device is in Host mode and it cannot be ensured that the  $\overline{SS}$  pin will stay high between two transmissions, the status of the Host (MASTER) bit in SPIn.CTRLA has to be checked before a new byte is written. After the Host bit has been cleared by a low level on the  $\overline{SS}$  line, it must be set by the application to re-enable the SPI Host mode.

### 24.3.2.2 Client Mode

In Client mode, the SPI peripheral receives SPI clock and Client Select from a Host. Client mode supports three operational modes: One Normal mode and two configurations for the Buffered mode. In Client mode, the control logic will sample the incoming signal on the SCK pin. To ensure correct sampling of this clock signal, the minimum low and high periods must each be longer than two peripheral clock cycles.

#### 24.3.2.2.1 Normal Mode

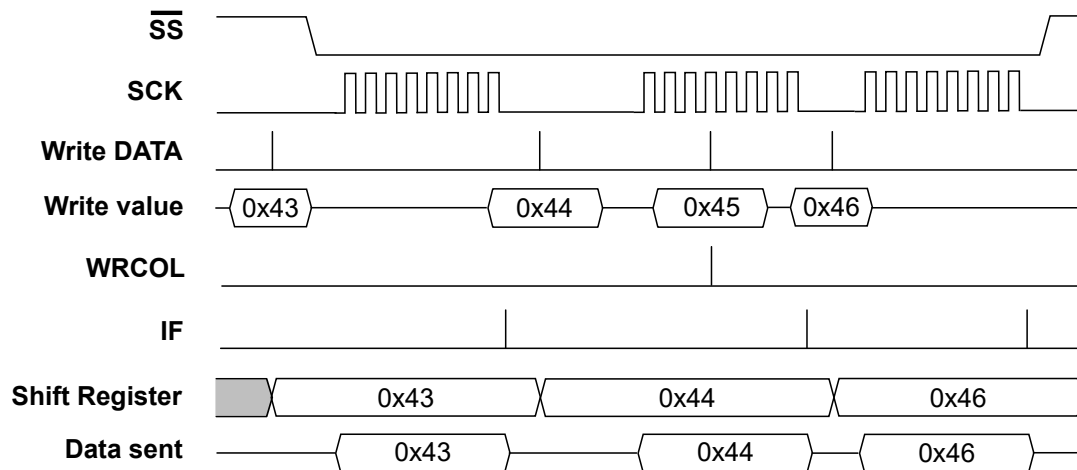
In Normal mode, the SPI peripheral will remain Idle as long as the  $\overline{SS}$  pin is driven high. In this state, the software may update the contents of the DATA register, but the data will not be shifted out by incoming clock pulses on the SCK pin until the  $\overline{SS}$  pin is driven low. If the  $\overline{SS}$  pin is driven low, the client will start to shift out data on the first SCK clock pulse. When one byte has been completely shifted, the SPI Interrupt Flag (IF) in SPIn.INTFLAGS is set.

The user application may continue placing new data to be sent into the DATA register before reading the incoming data. New bytes to be sent cannot be written to the DATA register before the entire transfer has been completed. A premature write will be ignored, and the hardware will set the Write Collision (WRCOL) flag in SPIn.INTFLAGS.

When the  $\overline{SS}$  pin is driven high, the SPI logic is halted, and the SPI client will not receive any new data. Any partially received packet in the shift register will be lost.

Figure 24-2 shows a transmission sequence in Normal mode. Notice how the value 0x45 is written to the DATA register but never transmitted.

**Figure 24-2. SPI Timing Diagram in Normal Mode (Buffer Mode Not Enabled)**



The figure above shows three transfers and one write to the DATA register while the SPI is busy with a transfer. This write will be ignored, and the Write Collision (WRCOL) flag in SPIn.INTFLAGS is set.

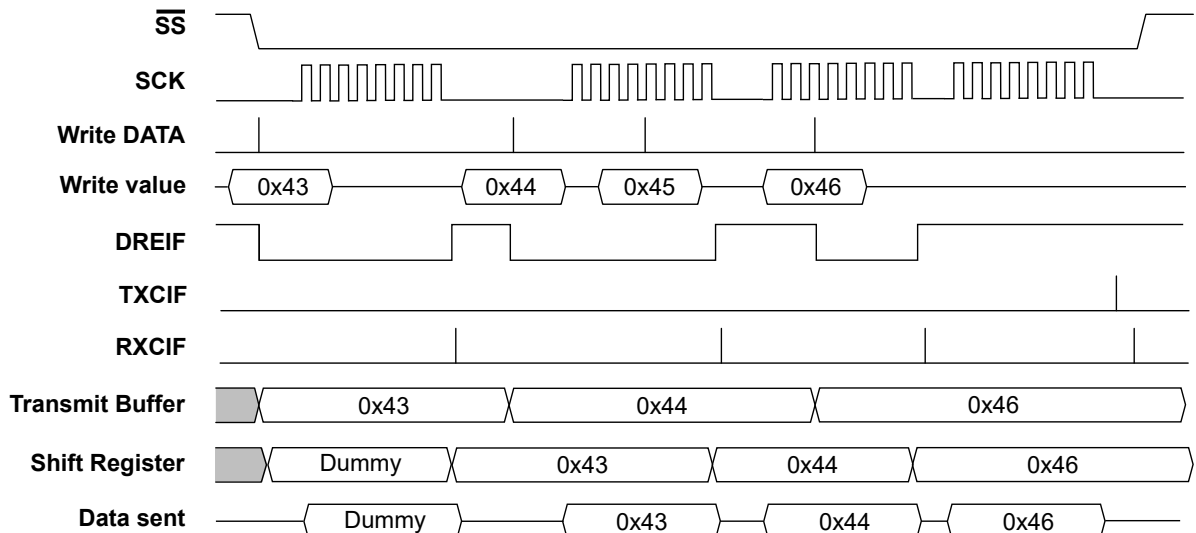
#### 24.3.2.2.2 Buffer Mode

To avoid data collisions, the SPI peripheral can be configured in Buffered mode by writing a '1' to the Buffer Mode Enable (BUFEN) bit in the Control B (SPIn.CTRLB) register. In this mode, the SPI has additional interrupt flags and extra buffers. The extra buffers are shown in Figure 24-1. There are two different modes for the Buffer mode, selected with the Buffer mode Wait for Receive (BUFWR) bit. The two different modes are described below with timing diagrams.

##### Client Buffer Mode with Wait for Receive Bit Written to '0'

In Client mode, if the Buffer mode Wait for Receive (BUFWR) bit in SPIn.CTRLB is written to '0', a dummy byte will be sent before the transmission of user data starts. Figure 24-3 shows a transmission sequence with this configuration. Notice how the value 0x45 is written to the Data (SPIn.DATA) register but never transmitted.

**Figure 24-3. SPI Timing Diagram in Buffer Mode with BUFWR in SPIn.CTRLB Written to '0'**



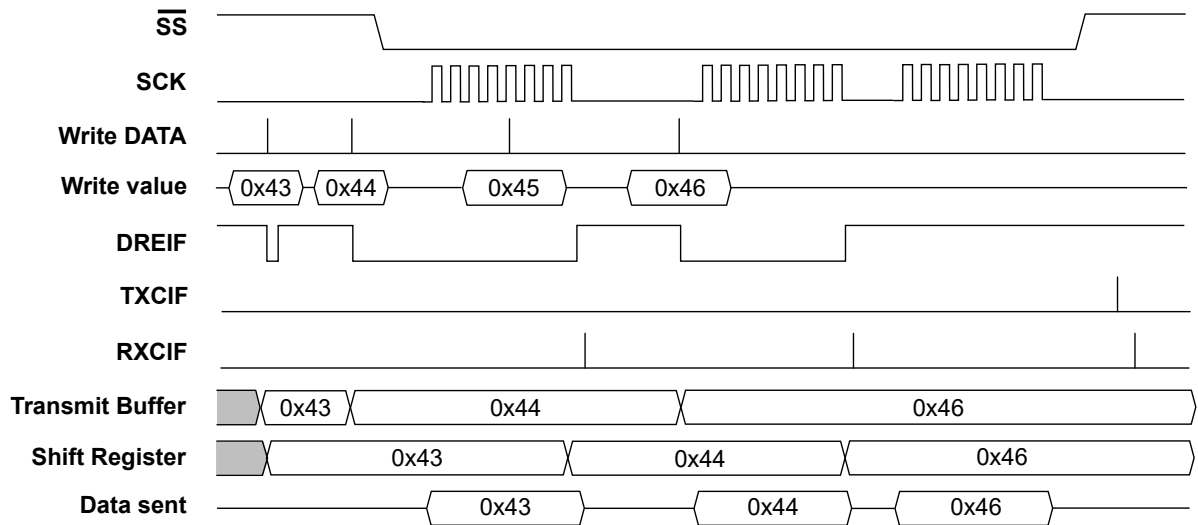
When the Wait for Receive (BUFWR) bit in SPIn.CTRLB is written to '0', all writes to the Data (SPIn.DATA) register go to the Transmit Data Buffer register. The figure above shows that the value 0x43 is written to the Data (SPIn.DATA) register but not immediately transferred to the shift register, so the first byte sent will be a dummy byte. The value of the dummy byte equals the values that were in the shift register at the same time. After the first dummy transfer is completed, the value 0x43 is transferred to the shift register. Then 0x44 is written to the Data (SPIn.DATA) register and goes to the Transmit Data Buffer register. A new transfer is started, and 0x43 will be sent. The value 0x45 is written to the Data (SPIn.DATA) register, but the Transmit Data Buffer register is not updated since it is already full containing 0x44 and the Data Register Empty Interrupt Flag (DREIF) in SPIn.INTFLAGS is low. The value 0x45 will be lost. After the transfer, the value 0x44 is moved to the shift register. During the next transfer, 0x46 is written to the Data (SPIn.DATA) register, and 0x44 is sent out. After the transfer is complete, 0x46 is copied into the shift register and sent out in the next transfer.

The DREIF goes low every time the Transmit Data Buffer register is written and goes high after a transfer when the previous value in the Transmit Data Buffer register is copied into the shift register. The Receive Complete Interrupt Flag (RXCIF) in SPIn.INTFLAGS is set one cycle after the DREIF goes high. The Transfer Complete Interrupt Flag is set one cycle after the Receive Complete Interrupt Flag is set when both the value in the shift register and in the Transmit Data Buffer register has been sent.

### Client Buffer Mode with Wait for Receive Bit Written to '1'

In Client mode, if the Buffer mode Wait for Receive (BUFWR) bit in SPIn.CTRLB is written to '1', the transmission of user data starts as soon as the SS pin is driven low. [Figure 24-4](#) shows a transmission sequence with this configuration. Notice how the value 0x45 is written to the Data (SPIn.DATA) register but never transmitted.

**Figure 24-4. SPI Timing Diagram in Buffer Mode with CTRLB.BUFWR Written to '1'**



All writes to the Data (SPIn.DATA) register go to the Transmit Data Buffer register. The figure above shows that the value 0x43 is written to the Data (SPIn.DATA) register, and since the  $\overline{SS}$  pin is high, it is copied to the shift register in the next cycle. The next write (0x44) will go to the Transmit Data Buffer register. During the first transfer, the value 0x43 will be shifted out. In the figure above, the value 0x45 is written to the Data (SPIn.DATA) register, but the Transmit Data Buffer register is not updated since the DREIF is low. After the transfer is completed, the value 0x44 from the Transmit Data Buffer register is copied to the shift register. The value 0x46 is written to the Transmit Data Buffer register. During the next two transfers, 0x44 and 0x46 are shifted out. The flags behave identically to the Buffer Mode Wait for Receive (BUFWR) bit in SPIn.CTRLB set to '0'.

#### 24.3.2.2.3 $\overline{SS}$ Pin Functionality in Client Mode

The Client Select ( $\overline{SS}$ ) pin plays a central role in the operation of the SPI. Depending on the SPI mode and the configuration of this pin, it can be used to activate or deactivate devices. The  $\overline{SS}$  pin is used as a Chip Select pin.

In Client mode, the  $\overline{SS}$ , MOSI, and SCK are always inputs. The behavior of the MISO pin depends on the configured data direction of the pin in the port peripheral and the value of  $\overline{SS}$ . When the  $\overline{SS}$  pin is driven low, the SPI is activated and will respond to received SCK pulses by clocking data out on MISO if the user has configured the data direction of the MISO pin as an output. When the  $\overline{SS}$  pin is driven high, the SPI is deactivated, meaning that it will not receive incoming data. If the MISO pin data direction is configured as an output, the MISO pin will be tri-stated. [Table 24-3](#) shows an overview of the  $\overline{SS}$  pin functionality.

**Table 24-3. Overview of the  $\overline{SS}$  Pin Functionality**

| $\overline{SS}$ Configuration | $\overline{SS}$ Pin-Level | Description                     | MISO Pin Mode           |                        |
|-------------------------------|---------------------------|---------------------------------|-------------------------|------------------------|
|                               |                           |                                 | Port Direction = Output | Port Direction = Input |
| Always Input                  | High                      | Client deactivated (deselected) | Tri-stated              | Input                  |
|                               | Low                       | Client activated (selected)     | Output                  | Input                  |

**Note:** In Client mode, the SPI state machine will be reset when the  $\overline{SS}$  pin is driven high. If the  $\overline{SS}$  pin is driven high during a transmission, the SPI will stop sending and receiving data immediately and both data received and data sent must be considered lost. As the  $\overline{SS}$  pin is used to signal the start and end of a transfer, it is useful for achieving packet/byte synchronization and keeping the Client bit counter synchronized with the host clock generator.

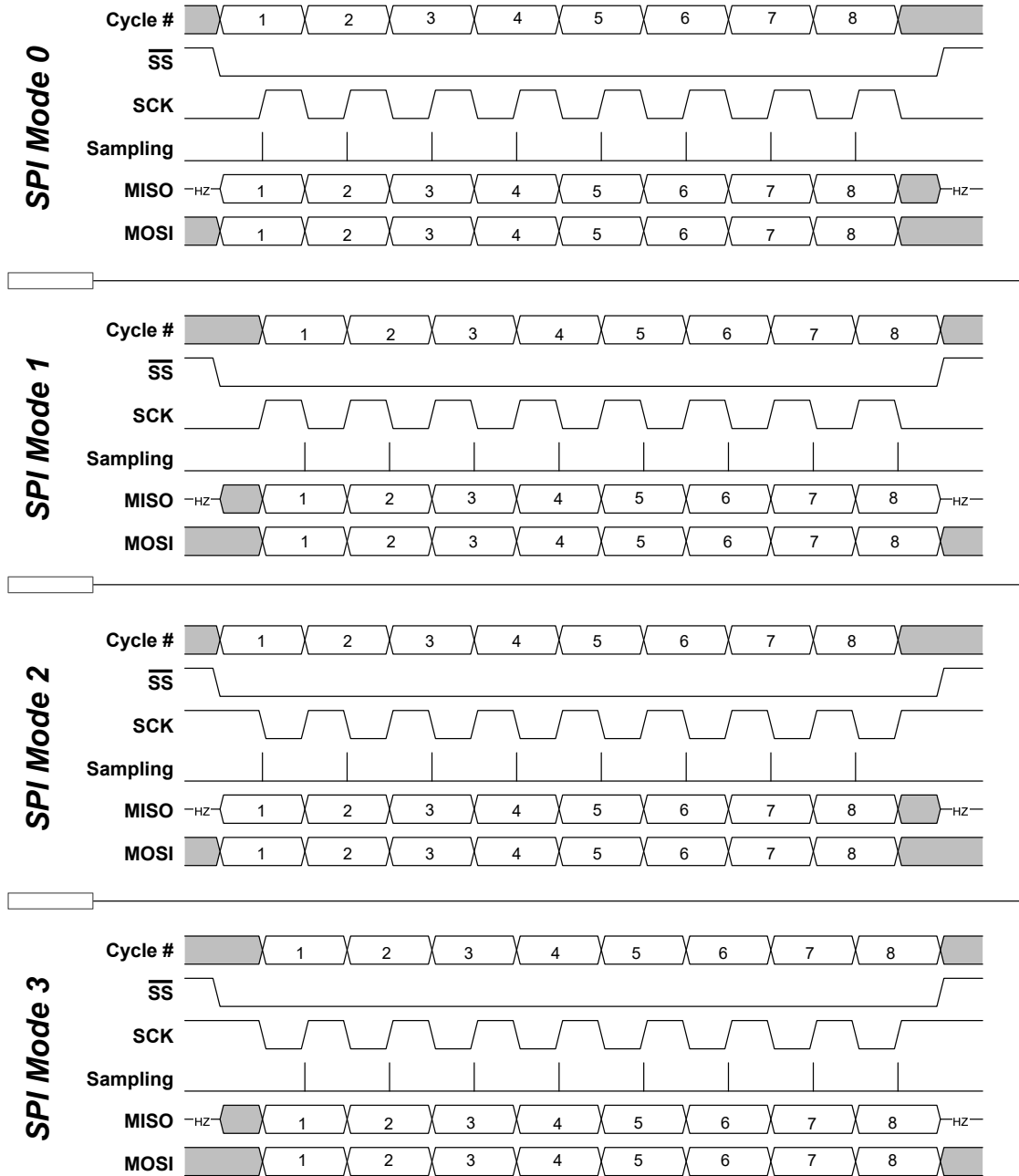
#### 24.3.2.3 Data Modes

There are four combinations of SCK phase and polarity concerning the serial data. The desired combination is selected by writing to the MODE bits in the Control B (SPIn.CTRLB) register.

The SPI data transfer formats are shown below. Data bits are shifted out and latched in on opposite edges of the SCK signal, ensuring sufficient time for data signals to stabilize.

The leading edge is the first clock edge of a clock cycle. The trailing edge is the last clock edge of a clock cycle.

**Figure 24-5. SPI Data Transfer Modes**



### 24.3.2.4 Events

The SPI can generate the following events:

**Table 24-4. Event Generators in SPI**

| Generator Name |       | Description    | Event Type | Generating Clock Domain | Length of Event             |
|----------------|-------|----------------|------------|-------------------------|-----------------------------|
| Module         | Event |                |            |                         |                             |
| SPIIn          | SCK   | SPI Host clock | Level      | CLK_PER                 | Minimum two CLK_PER periods |

The SPI has no event users.

Refer to the *Event System* section for more details regarding event types and Event System configuration.

### 24.3.2.5 Interrupts

**Table 24-5. Available Interrupt Vectors and Sources**

| Name  | Vector Description | Conditions   |   |
|-------|--------------------|--|---|
|       |                    | Normal Mode  | Buffer Mode   |
| SPIIn | SPI interrupt      | <ul style="list-style-type: none"> <li>• IF: Interrupt Flag interrupt</li> <li>• WRCOL: Write Collision interrupt</li> </ul> | <ul style="list-style-type: none"> <li>• SSI: Client Select Trigger Interrupt</li> <li>• DRE: Data Register Empty interrupt</li> <li>• TXC: Transfer Complete interrupt</li> <li>• RXC: Receive Complete interrupt</li> </ul> |

When an interrupt condition occurs, the corresponding interrupt flag is set in the peripheral's Interrupt Flags (*peripheral.INTFLAGS*) register.

An interrupt source is enabled or disabled by writing to the corresponding enable bit in the peripheral's Interrupt Control (*peripheral.INTCTRL*) register.

An interrupt request is generated when the corresponding interrupt source is enabled, and the interrupt flag is set. The interrupt request remains active until the interrupt flag is cleared. See the peripheral's INTFLAGS register for details on how to clear interrupt flags.

## 24.4 Register Summary

| Offset | Name                     | Bit Pos. | 7         | 6     | 5      | 4     | 3 | 2          | 1         | 0      |
|--------|--------------------------|----------|-----------|-------|--------|-------|---|------------|-----------|--------|
| 0x00   | <a href="#">CTRLA</a>    | 7:0      |           | DORD  | MASTER | CLK2X |   | PRESC[1:0] |           | ENABLE |
| 0x01   | <a href="#">CTRLB</a>    | 7:0      | BUFEN     | BUFWR |        |       |   | SSD        | MODE[1:0] |        |
| 0x02   | <a href="#">INTCTRL</a>  | 7:0      | RXCIE     | TXCIE | DREIE  | SSIE  |   |            |           | IE     |
| 0x03   | <a href="#">INTFLAGS</a> | 7:0      | IF        | WRCOL |        |       |   |            |           |        |
| 0x03   | <a href="#">INTFLAGS</a> | 7:0      | RXCIF     | TXCIF | DREIF  | SSIF  |   |            |           | BUFOVF |
| 0x04   | <a href="#">DATA</a>     | 7:0      | DATA[7:0] |       |        |       |   |            |           |        |

## 24.5 Register Description

### 24.5.1 Control A

**Name:** CTRLA  
**Offset:** 0x00  
**Reset:** 0x00  
**Property:** -

|        |   |      |        |       |   |            |     |        |
|--------|---|------|--------|-------|---|------------|-----|--------|
|        | 7 | 6    | 5      | 4     | 3 | 2          | 1   | 0      |
|        |   | DORD | MASTER | CLK2X |   | PRESC[1:0] |     | ENABLE |
| Access |   | R/W  | R/W    | R/W   |   | R/W        | R/W | R/W    |
| Reset  |   | 0    | 0      | 0     |   | 0          | 0   | 0      |

#### Bit 6 – DORD Data Order

| Value | Description                                   |
|-------|---|
| 0     | The MSb of the data word is transmitted first |
| 1     | The LSb of the data word is transmitted first |

#### Bit 5 – MASTER Host/Client Select

This bit selects the desired SPI mode.

If  $\overline{SS}$  is configured as input and driven low while this bit is '1', then this bit is cleared, and the IF in SPIn.INTFLAGS is set. The user has to write MASTER = 1 again to re-enable SPI Host mode.

This behavior is controlled by the Client Select Disable (SSD) bit in SPIn.CTRLB.

| Value | Description              |
|-------|--------------------------|
| 0     | SPI Client mode selected |
| 1     | SPI Host mode selected   |

#### Bit 4 – CLK2X Clock Double

When this bit is written to '1', the SPI speed (SCK frequency, after internal prescaler) is doubled in Host mode.

| Value | Description                                       |
|-------|---|
| 0     | SPI speed (SCK frequency) is not doubled          |
| 1     | SPI speed (SCK frequency) is doubled in Host mode |

#### Bits 2:1 – PRESC[1:0] Prescaler

This bit field controls the SPI clock rate configured in Host mode. These bits have no effect in Client mode. The relationship between SCK and the peripheral clock frequency ( $f_{CLK\_PER}$ ) is shown below.

The output of the SPI prescaler can be doubled by writing the CLK2X bit to '1'.

| Value | Name   | Description |
|-------|--------|-------------|
| 0x0   | DIV4   | CLK_PER/4   |
| 0x1   | DIV16  | CLK_PER/16  |
| 0x2   | DIV64  | CLK_PER/64  |
| 0x3   | DIV128 | CLK_PER/128 |

#### Bit 0 – ENABLE SPI Enable

| Value | Description     |
|-------|-----------------|
| 0     | SPI is disabled |
| 1     | SPI is enabled  |



### 24.5.2 Control B

**Name:** CTRLB  
**Offset:** 0x01  
**Reset:** 0x00  
**Property:** -

|        |     |       |       |   |   |   |     |           |     |
|--------|-----|-------|-------|---|---|---|-----|-----------|-----|
|        | Bit | 7     | 6     | 5 | 4 | 3 | 2   | 1         | 0   |
|        |     | BUFEN | BUFWR |   |   |   | SSD | MODE[1:0] |     |
| Access |     | R/W   | R/W   |   |   |   | R/W | R/W       | R/W |
| Reset  |     | 0     | 0     |   |   |   | 0   | 0         | 0   |

#### Bit 7 – BUFEN Buffer Mode Enable

Writing this bit to '1' enables Buffer mode. This will enable two receive buffers and one transmit buffer. Both will have separate interrupt flags, transmit complete and receive complete.

#### Bit 6 – BUFWR Buffer Mode Wait for Receive

When writing this bit to '0', the first data transferred will be a dummy sample.

| Value | Description   |
|-------|---|
| 0     | One SPI transfer must be completed before the data are copied into the shift register   |
| 1     | If writing to the Data register when the SPI is enabled and $\overline{SS}$ is high, the first write will go directly to the shift register |

#### Bit 2 – SSD Client Select Disable

If this bit is set when operating as SPI Host (MASTER = 1 in SPIn.CTRLA),  $\overline{SS}$  does not disable Host mode.

| Value | Description   |
|-------|---|
| 0     | Enable the Client Select line when operating as SPI host  |
| 1     | Disable the Client Select line when operating as SPI host |

#### Bits 1:0 – MODE[1:0] Mode

These bits select the Transfer mode. The four combinations of SCK phase and polarity concerning the serial data are shown below. These bits decide whether the first edge of a clock cycle (leading edge) is rising or falling and whether data setup and sample occur on the leading or trailing edge. When the leading edge is rising, the SCK signal is low when idle, and when the leading edge is falling, the SCK signal is high when idle.

| Value | Name | Description   |
|-------|------|---|
| 0x0   | 0    | Leading edge: Rising, sample<br>Trailing edge: Falling, setup |
| 0x1   | 1    | Leading edge: Rising, setup<br>Trailing edge: Falling, sample |
| 0x2   | 2    | Leading edge: Falling, sample<br>Trailing edge: Rising, setup |
| 0x3   | 3    | Leading edge: Falling, setup<br>Trailing edge: Rising, sample |

### 24.5.3 Interrupt Control

**Name:** INTCTRL  
**Offset:** 0x02  
**Reset:** 0x00  
**Property:** -

|        |       |       |       |      |   |   |   |     |
|--------|-------|-------|-------|------|---|---|---|-----|
|        | 7     | 6     | 5     | 4    | 3 | 2 | 1 | 0   |
|        | RXCIE | TXCIE | DREIE | SSIE |   |   |   | IE  |
| Access | R/W   | R/W   | R/W   | R/W  |   |   |   | R/W |
| Reset  | 0     | 0     | 0     | 0    |   |   |   | 0   |

**Bit 7 – RXCIE** Receive Complete Interrupt Enable  
 In Buffer mode, this bit enables the Receive Complete interrupt. The enabled interrupt will be triggered when the RXCIF in the SPIn.INTFLAGS register is set. In the Non-Buffer mode, this bit is '0'.

**Bit 6 – TXCIE** Transfer Complete Interrupt Enable  
 In Buffer mode, this bit enables the Transfer Complete interrupt. The enabled interrupt will be triggered when the TXCIF in the SPIn.INTFLAGS register is set. In the Non-Buffer mode, this bit is '0'.

**Bit 5 – DREIE** Data Register Empty Interrupt Enable  
 In Buffer mode, this bit enables the Data Register Empty interrupt. The enabled interrupt will be triggered when the DREIF in the SPIn.INTFLAGS register is set. In the Non-Buffer mode, this bit is '0'.

**Bit 4 – SSIE** Client Select Trigger Interrupt Enable  
 In Buffer mode, this bit enables the Client Select interrupt. The enabled interrupt will be triggered when the SSIF in the SPIn.INTFLAGS register is set. In the Non-Buffer mode, this bit is '0'.

**Bit 0 – IE** Interrupt Enable  
 This bit enables the SPI interrupt when the SPI is not in Buffer mode. The enabled interrupt will be triggered when RXCIF/IF is set in the SPIn.INTFLAGS register.

### 24.5.4 Interrupt Flags - Normal Mode

**Name:** INTFLAGS  
**Offset:** 0x03  
**Reset:** 0x00  
**Property:** -

|        |     |       |   |   |   |   |   |   |
|--------|-----|-------|---|---|---|---|---|---|
|        | 7   | 6     | 5 | 4 | 3 | 2 | 1 | 0 |
|        | IF  | WRCOL |   |   |   |   |   |   |
| Access | R/W | R/W   |   |   |   |   |   |   |
| Reset  | 0   | 0     |   |   |   |   |   |   |

**Bit 7 – IF** Interrupt Flag

This flag is set when a serial transfer is complete, and one byte is completely shifted in/out of the SPIn.DATA register. If  $\overline{SS}$  is configured as input and is driven low when the SPI is in Host mode, this will also set this flag. The IF is cleared by hardware when executing the corresponding interrupt vector. Alternatively, the IF can be cleared by first reading the SPIn.INTFLAGS register when IF is set and then accessing the SPIn.DATA register.

**Bit 6 – WRCOL** Write Collision

The WRCOL flag is set if the SPIn.DATA register is written before a complete byte has been shifted out. This flag is cleared by first reading the SPIn.INTFLAGS register when WRCOL is set and then accessing the SPIn.DATA register.

### 24.5.5 Interrupt Flags - Buffer Mode

**Name:** INTFLAGS  
**Offset:** 0x03  
**Reset:** 0x00  
**Property:** -

| Bit    | 7     | 6     | 5     | 4    | 3 | 2 | 1 | 0      |
|--------|-------|-------|-------|------|---|---|---|--------|
|        | RXCIF | TXCIF | DREIF | SSIF |   |   |   | BUFOVF |
| Access | R/W   | R/W   | R/W   | R/W  |   |   |   | R/W    |
| Reset  | 0     | 0     | 0     | 0    |   |   |   | 0      |

**Bit 7 – RXCIF** Receive Complete Interrupt Flag

This flag is set when there are unread data in the Receive Data Buffer register and cleared when the Receive Data Buffer register is empty (that is, it does not contain any unread data).

When interrupt-driven data reception is used, the Receive Complete Interrupt routine must read the received data from the DATA register to clear RXCIF. If not, a new interrupt will occur directly after the return from the current interrupt. This flag can also be cleared by writing a '1' to its bit location.

**Bit 6 – TXCIF** Transfer Complete Interrupt Flag

This flag is set when all the data in the Transmit shift register has been shifted out, and there is no new data in the transmit buffer (SPIn.DATA). The flag is cleared by writing a '1' to its bit location.

**Bit 5 – DREIF** Data Register Empty Interrupt Flag

This flag indicates whether the Transmit Data Buffer register is ready to receive new data. The flag is '1' when the transmit buffer is empty and '0' when the transmit buffer contains data to be transmitted that has not yet been moved into the shift register. The DREIF is cleared after a Reset to indicate that the transmitter is ready.

The DREIF is cleared by writing to DATA. When interrupt-driven data transmission is used, the Data Register Empty Interrupt routine must either write new data to DATA to clear DREIF or disable the Data Register Empty interrupt. If not, a new interrupt will occur directly after the return from the current interrupt.

**Bit 4 – SSIF** Client Select Trigger Interrupt Flag

This flag indicates that the SPI has been in Host mode, and the  $\overline{SS}$  pin has been pulled low externally, so the SPI is now working in Client mode. The flag will only be set if the Client Select Disable (SSD) bit is not '1'. The flag is cleared by writing a '1' to its bit location.

**Bit 0 – BUFOVF** Buffer Overflow

This flag indicates data loss due to a Receive Data Buffer full condition. This flag is set if a Buffer Overflow condition is detected. A Buffer Overflow occurs when the receive buffer is full (two bytes), and a third byte has been received in the shift register. If there is no transmit data, the Buffer Overflow will not be set before the start of a new serial transfer. This flag is cleared when the DATA register is read or by writing a '1' to its bit location.

### 24.5.6 Data

**Name:** DATA  
**Offset:** 0x04  
**Reset:** 0x00  
**Property:** -

|        |           |     |     |     |     |     |     |     |
|--------|-----------|-----|-----|-----|-----|-----|-----|-----|
|        | 7         | 6   | 5   | 4   | 3   | 2   | 1   | 0   |
|        | DATA[7:0] |     |     |     |     |     |     |     |
| Access | R/W       | R/W | R/W | R/W | R/W | R/W | R/W | R/W |
| Reset  | 0         | 0   | 0   | 0   | 0   | 0   | 0   | 0   |

#### Bits 7:0 – DATA[7:0] SPI Data

The DATA register is used for sending and receiving data. Writing to the register initiates the data transmission when in Host mode while preparing data for sending in Client mode. The byte written to the register shifts out on the SPI output line when a transaction is initiated.

The SPIn.DATA register is not a physical register. Depending on what mode is configured, it is mapped to other registers, as described below.

- Normal mode:
  - Writing the DATA register will write the shift register
  - Reading from DATA will read from the Receive Data register
- Buffer mode:
  - Writing the DATA register will write to the Transmit Data Buffer register
  - Reading from DATA will read from the Receive Data Buffer register. The contents of the Receive Data register will then be moved to the Receive Data Buffer register.

## 25. TWI - Two-Wire Interface

### 25.1 Features

- Two-Wire Communication Interface
- Philips I<sup>2</sup>C Compatible
  - Standard mode
  - Fast mode
  - Fast mode Plus
- System Management Bus (SMBus) 2.0 Compatible
  - Support arbitration between Start/repeated Start and data bit
  - Client arbitration allows support for the Address Resolution Protocol (ARP) in software
  - Configurable SMBus Layer 1 time-outs in hardware
  - Independent time-outs for Dual mode
- Independent Host and Client Operation
  - Combined (same pins) or Dual mode (separate pins)
  - Single or multi-host bus operation with full arbitration support
- Hardware Support for Client Address Match
  - Operates in all sleep modes
  - 7-bit address recognition
  - General Call Address recognition
  - Support for address range masking or secondary address match
- Input Filter for Bus Noise Suppression
- Smart Mode Support

### 25.2 Overview

The Two-Wire Interface (TWI) is a bidirectional, two-wire communication interface (bus) with a Serial Data Line (SDA) and a Serial Clock Line (SCL).

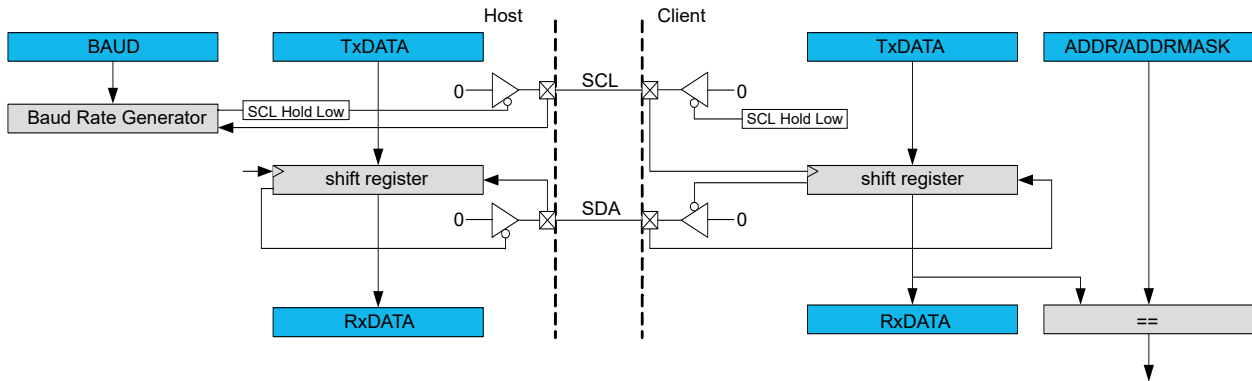
The TWI bus connects one or several client devices to one or several host devices. Any device connected to the bus can act as a host, a client, or both. The host generates the SCL by using a Baud Rate Generator (BRG) and initiates data transactions by addressing one client and telling whether it wants to transmit or receive data. The BRG is capable of generating the Standard mode (Sm) and Fast mode (Fm, Fm+) bus frequencies from 100 kHz up to 1 MHz.

The TWI will detect Start and Stop conditions, bus collisions, and bus errors. Arbitration lost, errors, collision, and clock hold are also detected and indicated in separate status flags available in both Host and Client modes.

The TWI supports multi-host bus operation and arbitration. An arbitration scheme handles the case where more than one host tries to transmit data at the same time. The TWI also supports Smart mode, which can auto-trigger operations and thus reduce software complexity. The TWI supports Dual mode with simultaneous host and client operations, which are implemented as independent units with separate enabling and configuration. The TWI supports Quick Command mode, where the host can address a client without exchanging data.

### 25.2.1 Block Diagram

Figure 25-1. TWI Block Diagram



### 25.2.2 Signal Description

| Signal | Description       | Type        |
|--------|-------------------|-------------|
| SCL    | Serial Clock Line | Digital I/O |
| SDA    | Serial Data Line  | Digital I/O |

## 25.3 Functional Description

### 25.3.1 General TWI Bus Concepts

The TWI provides a simple, bidirectional, two-wire communication bus consisting of:

- Serial Data Line (SDA) for packet transfer
- Serial Clock Line (SCL) for the bus clock

The two lines are open-collector lines (wired-AND).

The TWI bus topology is a simple and efficient method of interconnecting multiple devices on a serial bus. A device connected to the bus can be a host or a client. Only host devices can control the bus and the bus communication.

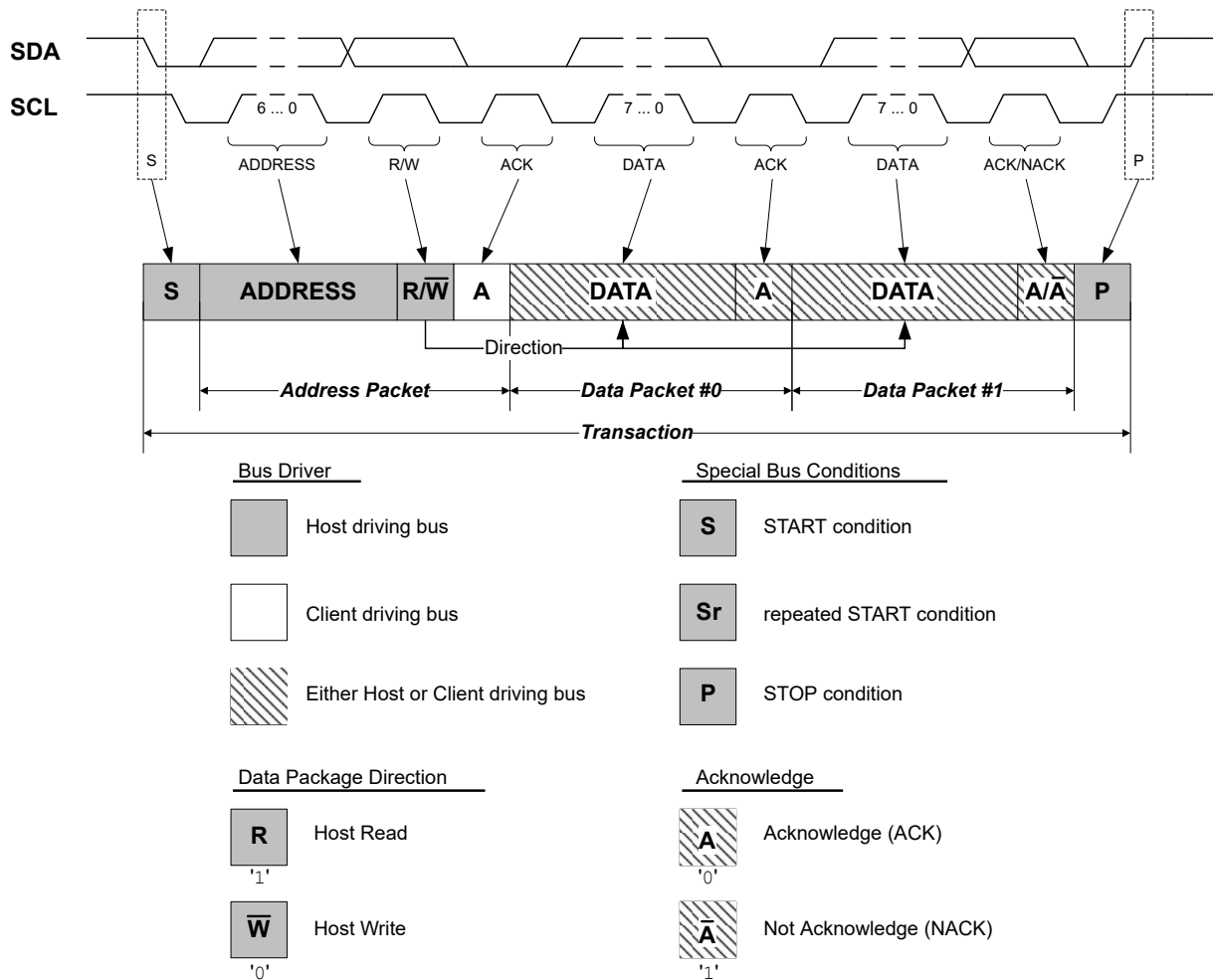
A unique address is assigned to each client device connected to the bus, and the host will use it to control the client and initiate a transaction. Several hosts can be connected to the same bus. This is called a multi-host environment. An arbitration mechanism is provided for resolving bus ownership among hosts since only one host device may own the bus at any given time.

A host indicates the start of a transaction by issuing a Start condition (S) on the bus. The host provides the clock signal for the transaction. An address packet with a 7-bit client address (ADDRESS) and a direction bit, representing whether the host wishes to read or write data (R/ $\bar{W}$ ), are then sent.

The addressed I<sup>2</sup>C client will then acknowledge (ACK) the address, and data packet transactions can begin. Every 9-bit data packet consists of eight data bits followed by a 1-bit reply indicating whether the data was acknowledged or not by the receiver.

After all the data packets (DATA) are transferred, the host issues a Stop condition (P) on the bus to end the transaction.

**Figure 25-2. Basic TWI Transaction Diagram Topology for a 7-bit Address Bus**



### 25.3.2 TWI Basic Operation

#### 25.3.2.1 Initialization

If used, the following bits must be configured before enabling the TWI device:

- The SDA Hold Time (SDAHOLD) bit field from the Control A (TWIn.CTRLA) register
- The FM Plus Enable (FMPEN) bit from the Control A (TWIn.CTRLA) register

##### 25.3.2.1.1 Host Initialization

Write the Host Baud Rate (TWIn.MBAUD) register to a value that will result in a valid TWI bus clock frequency.

Writing a '1' to the Enable TWI Host (ENABLE) bit in the Host Control A (TWIn.MCTRLA) register will enable the TWI host. The Bus State (BUSSTATE) bit field from the Host Status (TWIn.MSTATUS) register must be set to 0x1 to force the bus state to Idle.

##### 25.3.2.1.2 Client Initialization

Follow these steps to initialize the client:

1. Before enabling the TWI device, configure the SDA Setup Time (SDASETUP) bit from the Control A (TWIn.CTRLA) register.
2. Write the address of the client to the Client Address (TWIn.SADDR) register.
3. Write a '1' to the Enable TWI Client (ENABLE) bit in the Client Control A (TWIn.SCTRLA) register to enable the TWI client.

The client device will now wait for a host device to issue a Start condition and the matching client address.



### 25.3.2.2 TWI Host Operation

The TWI host is byte-oriented, with an optional interrupt after each byte. There are separate interrupt flags for the host write and read operation. Interrupt flags can also be used for polled operation. There are dedicated status flags for indicating ACK/NACK received, bus error, arbitration lost, clock hold, and bus state.

When an interrupt flag is set to '1', the SCL is forced low. This will give the host time to respond or handle any data and will, in most cases, require software interaction. Clearing the interrupt flags releases the SCL. The number of interrupts generated is kept to a minimum by automatic handling of most conditions.

#### 25.3.2.2.1 Clock Generation

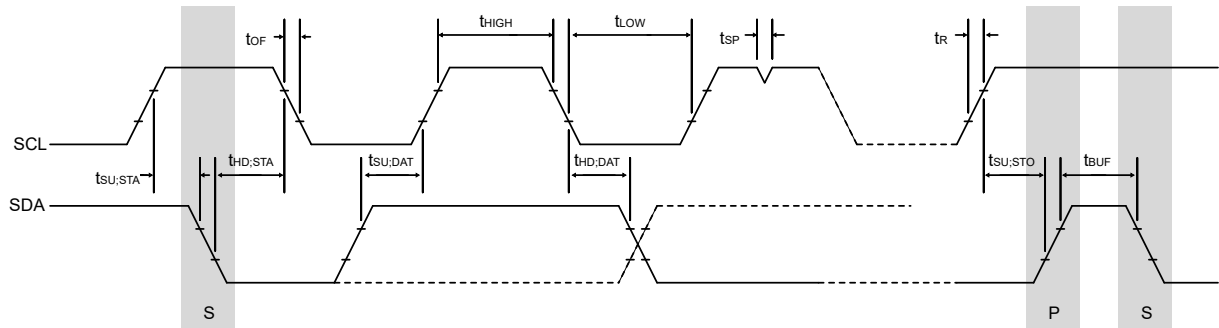
The TWI supports several transmission modes with different frequency limitations:

- Standard mode (Sm) up to 100 kHz
- Fast mode (Fm) up to 400 kHz
- Fast mode Plus (Fm+) up to 1 MHz

Write the Host Baud Rate (TWIn.MBAUD) register to a value that will result in a TWI bus clock frequency equal to, or less than, those frequency limits, depending on the transmission mode.

The low ( $t_{LOW}$ ) and high ( $t_{HIGH}$ ) times are determined by the Host Baud Rate (TWIn.MBAUD) register, while the rise ( $t_R$ ) and fall ( $t_{OF}$ ) times are determined by the bus topology.

**Figure 25-3. SCL Timing**



- $t_{LOW}$  is the low period of SCL clock
- $t_{HIGH}$  is the high period of SCL clock
- $t_R$  is determined by the bus impedance; for internal pull-ups. Refer to the *Electrical Characteristics* section for details.
- $t_{OF}$  is the output fall time and is determined by the open-drain current limit and bus impedance. Refer to the *Electrical Characteristics* section for details.

#### Properties of the SCL Clock

The SCL frequency is given by:

#### Equation 25-1. SCL Frequency

$$f_{SCL} = \frac{1}{t_{LOW} + t_{HIGH} + t_{OF} + t_R} [\text{Hz}]$$

The SCL clock is designed to have a 50/50 duty cycle, where the low period of the duty cycle comprises of  $t_{OF}$  and  $t_{LOW}$ .  $t_{HIGH}$  will not start until a high state of SCL has been detected. The BAUD bit field in the TWIn.MBAUD register and the SCL frequency are related by the following formula:

#### Equation 25-2. SCL Frequency

$$f_{SCL} = \frac{f_{CLK\_PER}}{10 + 2 \times BAUD + f_{CLK\_PER} \times t_R}$$

Equation 25-2 can be transformed to express BAUD:

### Equation 25-3. BAUD

$$BAUD = \frac{f_{CLK\_PER}}{2 \times f_{SCL}} - \left( 5 + \frac{f_{CLK\_PER} \times t_R}{2} \right)$$

### Calculation of the BAUD Value

To ensure operation within the specifications of the desired speed mode (Sm, Fm, Fm+), follow these steps:

1. Calculate a value for the BAUD bit field using [Equation 25-3](#).
2. Calculate  $t_{LOW}$  using the BAUD value from step 1:

### Equation 25-4. $t_{LOW}$

$$t_{LOW} = \frac{BAUD + 5}{f_{CLK\_PER}} - t_{OF}$$

3. Check if  $t_{LOW}$  from [Equation 25-4](#) is above the specified minimum of the desired mode ( $t_{LOW\_Sm} = 4700$  ns,  $t_{LOW\_Fm} = 1300$  ns,  $t_{LOW\_Fm+} = 500$  ns).
  - If the calculated  $t_{LOW}$  is above the limit, use the BAUD value from [Equation 25-3](#)
  - If the limit is not met, calculate a new BAUD value using [Equation 25-5](#) below, where  $t_{LOW\_mode}$  is either  $t_{LOW\_Sm}$ ,  $t_{LOW\_Fm}$ , or  $t_{LOW\_Fm+}$  from the mode specifications:

### Equation 25-5. BAUD

$$BAUD = f_{CLK\_PER} \times (t_{LOW\_mode} + t_{OF}) - 5$$

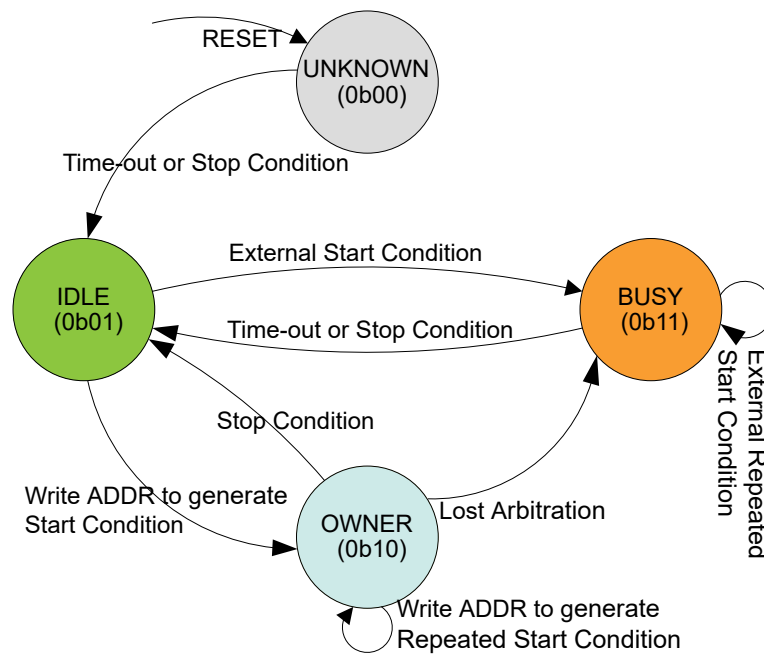
### 25.3.2.2.2 TWI Bus State Logic

The bus state logic continuously monitors the activity on the TWI bus when the host is enabled. It continues to operate in all sleep modes, including Power-Down.

The bus state logic includes Start and Stop condition detectors, collision detection, inactive bus time-out detection, and a bit counter. These are used to determine the bus state. The software can get the current bus state by reading the Bus State (BUSSTATE) bit field in the Host Status (TWIn.MSTATUS) register.

The bus state can be Unknown, Idle, Busy or Owner, and it is determined according to the state diagram shown below.

**Figure 25-4. Bus State Diagram**



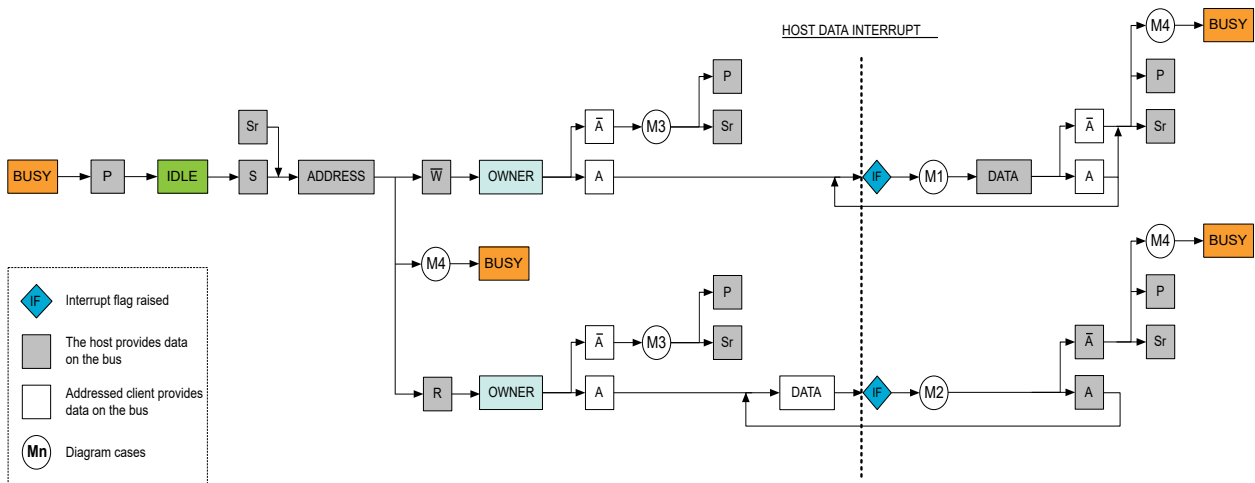
1. **Unknown:** The bus state machine is active when the TWI host is enabled. After the TWI host has been enabled, the bus state is Unknown. The bus state will also be set to Unknown after a system Reset is performed or after the TWI host is disabled.
2. **Idle:** The bus state machine can be forced to enter the Idle state by writing 0x1 to the Bus State (BUSSTATE) bit field. The bus state logic cannot be forced into any other state. If no state is set by the application software, the bus state will become Idle when the first Stop condition is detected. If the Inactive Bus Time-Out (TIMEOUT) bit field from the Host Control A (TWIn.MCTRLA) register is configured to a nonzero value, the bus state will change to Idle on the occurrence of a time-out. When the bus is Idle, it is ready for a new transaction.
3. **Busy:** If a Start condition, generated externally, is detected when the bus is Idle, the bus state becomes Busy. The bus state changes back to Idle when a Stop condition is detected or when a time-out, if configured, is set.
4. **Owner:** If a Start condition is generated internally when the bus is Idle, the bus state becomes Owner. If the complete transaction is performed without interference, the host issues a Stop condition, and the bus state changes back to Idle. If a collision is detected, the arbitration is lost, and the bus state becomes Busy until a Stop condition is detected.

### 25.3.2.2.3 Transmitting Address Packets

The host starts performing a bus transaction when the Host Address (TWIn.MADDR) register is written with the client address and the R/W direction bit. The value of the MADDR register is then copied into the Host Data (TWIn.MDATA) register. If the bus state is Busy, the TWI host will wait until the bus state becomes Idle before issuing the Start condition. The TWI will issue a Start condition, and the shift register performs a byte transmit operation on the bus.

Depending on the arbitration and the R/W direction bit, one of four cases (M1 to M4) arises after the transmission of the address packet.

**Figure 25-5. TWI Host Operation**



#### **Case M1: Address Packet Transmit Complete - Direction Bit Set to '0'**

If a client device responds to the address packet with an ACK, the Write Interrupt Flag (WIF) is set to '1', the Received Acknowledge (RXACK) flag is set to '0', and the Clock Hold (CLKHOLD) flag is set to '1'. The WIF, RXACK and CLKHOLD flags are located in the Host Status (TWIn.MSTATUS) register.

The clock hold is active at this point, forcing the SCL low. This will stretch the low period of the clock to slow down the overall clock frequency, forcing delays required to process the data and preventing further activity on the bus.

The software can prepare to:

- Transmit data packets to the client

#### **Case M2: Address Packet Transmit Complete - Direction Bit Set to '1'**

If a client device responds to the address packet with an ACK, the RXACK flag is set to '0', and the client can start sending data to the host without any delays because the client owns the bus at this moment. The clock hold is active at this point, forcing the SCL low.

The software can prepare to:

- Read the received data packet from the client

#### **Case M3: Address Packet Transmit Complete - Address not Acknowledged by Client**

If no client device responds to the address packet, the WIF and the RXACK flags will be set to '1'. The clock hold is active at this point, forcing the SCL low.

The missing ACK response can indicate that the I<sup>2</sup>C client is busy with other tasks, or it is in a sleep mode, and it is not able to respond.

The software can prepare to take one of the following actions:

- Retransmit the address packet
- Complete the transaction by issuing a Stop condition in the Command (MCMD) bit field from the Host Control B (TWIn.MCTRLB) register, which is the recommended action

#### **Case M4: Arbitration Lost or Bus Error**

If the arbitration is lost, both the WIF and the Arbitration Lost (ARBLOST) flags in the Host Status (TWIn.MSTATUS) register are set to '1'. The SDA is disabled, and the SCL is released. The bus state changes to Busy, and the host is no longer allowed to perform any operation on the bus until the bus state is changed back to Idle.

A bus error will behave similarly to the arbitration lost condition. In this case, the Bus Error (BUSERR) flag in the Host Status (TWIn.MSTATUS) register is set to '1', in addition to the WIF and ARBLOST flags.

The software can prepare to:

- Abort the operation and wait until the bus state changes to Idle by reading the Bus State (BUSSTATE) bit field in the Host Status (TWIn.MSTATUS) register

#### **25.3.2.2.4 Transmitting Data Packets**

Assuming the above M1 case, the TWI host can start transmitting data by writing to the Host Data (TWIn.MDATA) register, which will also clear the Write Interrupt Flag (WIF). During the data transfer, the host is continuously monitoring the bus for collisions and errors. The WIF flag will be set to '1' after the data packet transfer has been completed.

If the transmission is successful and the host receives an ACK bit from the client, the Received Acknowledge (RXACK) flag will be set to '0', meaning that the client is ready to receive new data packets.

The software can prepare to take one of the following actions:

- Transmit a new data packet
- Transmit a new address packet
- Complete the transaction by issuing a Stop condition in the Command (MCMD) bit field from the Host Control B (TWIn.MCTRLB) register

If the transmission is successful and the host receives a NACK bit from the client, the RXACK flag will be set to '1', meaning that the client is not able to or does not need to receive more data.

The software can prepare to take one of the following actions:

- Transmit a new address packet
- Complete the transaction by issuing a Stop condition in the Command (MCMD) bit field from the Host Control B (TWIn.MCTRLB) register

The RXACK status is valid only if the WIF flag is set to '1' and the Arbitration Lost (ARBLOST) and Bus Error (BUSERR) flags are set to '0'.

The transmission can be unsuccessful if a collision is detected. Then, the host will lose the arbitration, the Arbitration Lost (ARBLOST) flag will be set to '1', and the bus state changes to Busy. An arbitration lost during the sending of the data packet is treated the same way as the above M4 case.

The WIF, ARBLOST, BUSERR and RXACK flags are all located in the Host Status (TWIn.MSTATUS) register.

#### **25.3.2.2.5 Receiving Data Packets**

Assuming the M2 case above, the clock is released for one byte, allowing the client to put one byte of data on the bus. The host will receive one byte of data from the client, and the Read Interrupt Flag (RIF) will be set to '1' together with the Clock Hold (CLKHOLD) flag. The action selected by the Acknowledge Action (ACKACT) bit in the Host Control B (TWIn.MCTRLB) register is automatically sent on the bus when a command is written to the Command (MCMD) bit field in the TWIn.MCTRLB register.

The software can prepare to take one of the following actions:

- Respond with an ACK by writing '0' to the ACKACT bit in the TWIn.MCTRLB register and prepare to receive a new data packet
- Respond with a NACK by writing '1' to the ACKACT bit and then transmit a new address packet
- Respond with a NACK by writing '1' to the ACKACT bit and then complete the transaction by issuing a Stop condition in the MCMD bit field from the TWIn.MCTRLB register

A NACK response might not be successfully executed, as the arbitration can be lost during the transmission. If a collision is detected, the host loses the arbitration, the Arbitration Lost (ARBLOST) flag is set to '1', and the bus state changes to Busy. The Host Write Interrupt Flag (WIF) is set if the arbitration was lost when sending a NACK or a bus error occurred during the procedure. An arbitration lost during the sending of the data packet is treated in the same way as the above M4 case.

The RIF, CLKHOLD, ARBLOST and WIF flags are all located in the Host Status (TWIn.MSTATUS) register.

**Note:** The RIF and WIF flags are mutually exclusive and cannot be set simultaneously.

### 25.3.2.3 TWI Client Operation

The TWI client is byte-oriented with optional interrupts after each byte. There are separate interrupt flags for the client data and address/Stop recognition. Interrupt flags can also be used for polled operation. There are dedicated status flags for indicating ACK/NACK received, clock hold, collision, bus error, and R/W direction bit.

When an interrupt flag is set to '1', the SCL is forced low. This will give the client time to respond or handle any data and will, in most cases, require software interaction. The number of interrupts generated is kept to a minimum by automatic handling of most conditions.

The Permissive Mode Enable (PMEN) bit in the Client Control A (TWIn.SCTRLA) register can be configured to allow the client to respond to all received addresses.

#### 25.3.2.3.1 Receiving Address Packets

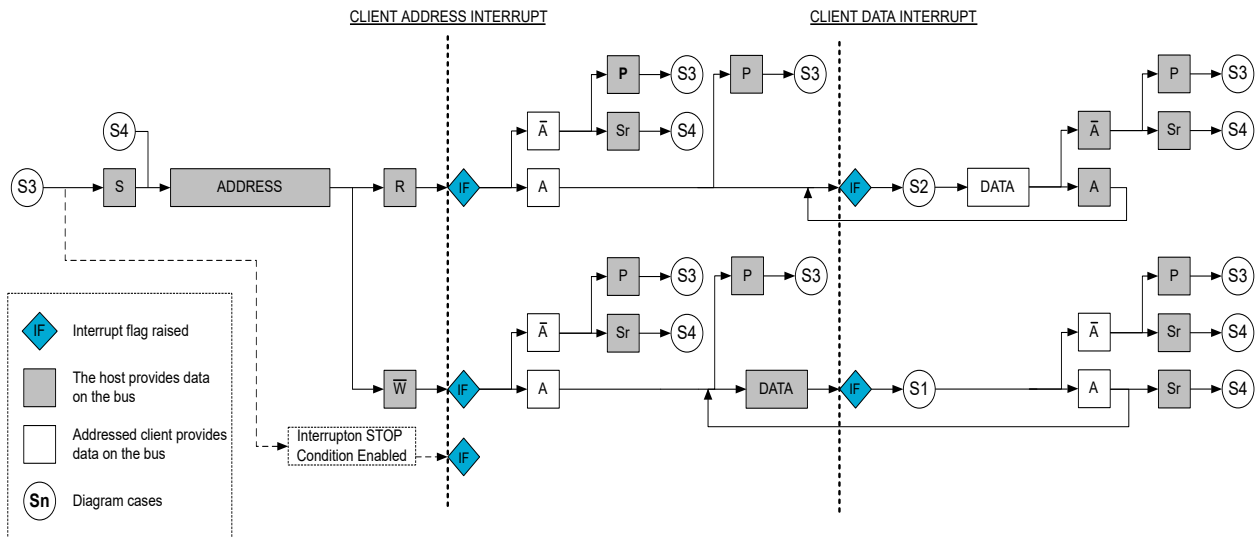
When the TWI is configured as a client, it will wait for a Start condition to be detected. When this happens, the successive address packet will be received and checked by the address match logic. The client will ACK a correct address and store the address in the Client Data (TWIn.SDATA) register. If the received address is not a match, the client will not acknowledge or store the address but wait for a new Start condition.

The Address or Stop Interrupt Flag (APIF) in the Client Status (TWIn.SSTATUS) register is set to '1' when a Start condition is succeeded by one of the following:

- A valid address match with the address stored in the Address (ADDR[7:1]) bit field in the Client Address (TWIn.SADDR) register
- The General Call Address  $0x00$  and the Address (ADDR[0]) bit in the Client Address (TWIn.SADDR) register are set to '1'
- A valid address match with the secondary address stored in the Address Mask (ADDRMASK) bit field and the Address Mask Enable (ADDREN) bit is set to '1' in the Client Address Mask (TWIn.SADDRMASK) register
- Any address if the Permissive Mode Enable (PMEN) bit in the Client Control A (TWIn.SCTRLA) register is set to '1'

Depending on the Read/Write Direction (DIR) bit in the Client Status (TWIn.SSTATUS) register and the bus condition, one of four distinct cases (S1 to S4) arises after the reception of the address packet.

Figure 25-6. TWI Client Operation



**Case S1: Address Packet Accepted - Direction Bit Set to '0'**

If an ACK is sent by the client after the address packet is received, and the Read/Write Direction (DIR) bit in the Client Status (TWIn.SSTATUS) register is set to '0', the host indicates a write operation.

The clock hold is active at this point, forcing the SCL low. This will stretch the low period of the clock to slow down the overall clock frequency, forcing delays required to process the data and preventing further activity on the bus.

The software can prepare to:

- Read the received data packet from the host

**Case S2: Address Packet Accepted - Direction Bit Set to '1'**

If an ACK is sent by the client after the address packet is received, and the DIR bit is set to '1', the host indicates a read operation, and the Data Interrupt Flag (DIF) in the Client Status (TWIn.SSTATUS) register will be set to '1'.

The clock hold is active at this point, forcing the SCL low.

The software can prepare to:

- Transmit data packets to the host

**Case S3: Stop Condition Received**

When the Stop condition is received, the Address or Stop (AP) flag will be set to '0', indicating that a Stop condition, and not an address match, activated the Address or Stop Interrupt Flag (APIF).

The AP and APIF flags are located in the Client Status (TWIn.SSTATUS) register.

The software can prepare to:

- Wait until a new address packet has been addressed to it

**Case S4: Collision**

If the client is not able to send a high-level data bit or a NACK, the Collision (COLL) bit in the Client Status (TWIn.SSTATUS) register is set to '1'. The client will commence its operation as normal, except no low values will be shifted out on the SDA. The data and acknowledge output from the client logic will be disabled. The clock hold is released. A Start or repeated Start condition will be accepted.

The COLL bit is intended for systems where the Address Resolution Protocol (ARP) is employed. A detected collision in non-ARP situations indicates that there has been a protocol violation and must be treated as a bus error.

**25.3.2.3.2 Receiving Data Packets**

Assuming the above S1 case, the client must be ready to receive data. When a data packet is received, the Data Interrupt Flag (DIF) in the Client Status (TWIn.SSTATUS) register is set to '1'. The action selected by the Acknowledge Action (ACKACT) bit in the Client Control B (TWIn.SCTRLB) register is automatically sent on the bus when a command is written to the Command (SCMD) bit field in the TWIn.SCTRLB register.

The software can prepare to take one of the following actions:

- Respond with an ACK by writing '0' to the ACKACT bit in the TWIn.SCTRLB register, indicating that the client is ready to receive more data
- Respond with a NACK by writing '1' to the ACKACT bit, indicating that the client cannot receive any more data and the host must issue a Stop or repeated Start condition

### 25.3.2.3.3 Transmitting Data Packets

Assuming the above S2 case, the client can start transmitting data by writing to the Client Data (TWIn.SDATA) register. When a data packet transmission is completed, the Data Interrupt Flag (DIF) in the Client Status (TWIn.SSTATUS) register is set to '1'.

The software can prepare to take one of the following actions:

- Check if the host responded with an ACK by reading the Received Acknowledge (RXACK) bit from the Client Status (TWIn.SSTATUS) register, and start transmitting new data packets
- Check if the host responded with a NACK by reading the RXACK bit, and stop transmitting data packets. The host must send a Stop or repeated Start condition after the NACK.

## 25.3.3 Additional Features

### 25.3.3.1 SMBus

If the TWI is used in an SMBus environment, the Inactive Bus Time-Out (TIMEOUT) bit field from the Host Control A (TWIn.MCTRLA) register must be configured. It is recommended to write to the Host Baud Rate (TWIn.MBAUD) register before setting the time-out because it is dependent on the baud rate setting.

A frequency of 100 kHz can be used for the SMBus environment. For the Standard mode (Sm) and Fast mode (Fm), the operating frequency has slew rate limited output, while for the Fast mode Plus (Fm+), it has x10 output drive strength.

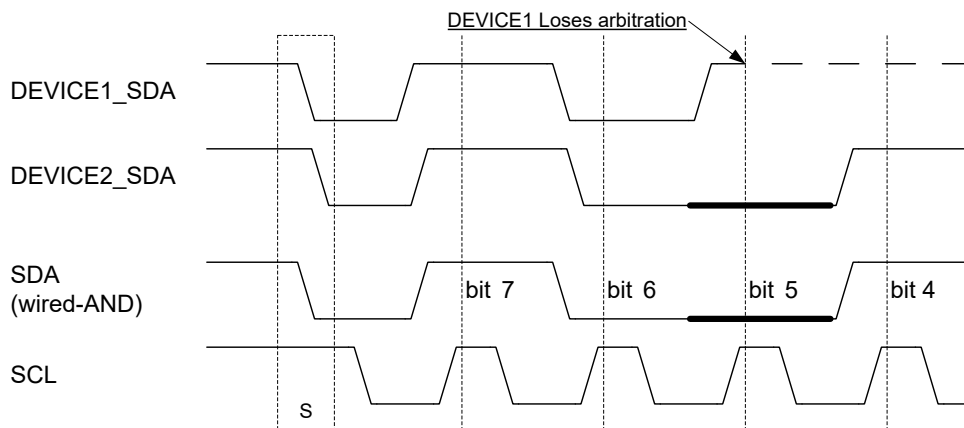
The TWI also allows for an SMBus compatible SDA hold time configured in the SDA Hold Time (SDAHOLD) bit field from the Control A (TWIn.CTRLA) register.

### 25.3.3.2 Multi-Host

A host can start a bus transaction only if it has detected that the bus is in the Idle state. As the TWI bus is a multi-host bus, more devices may try to initiate a transaction at the same time. This results in multiple hosts owning the bus simultaneously. The TWI solves this problem by using an arbitration scheme where the host loses control of the bus if it is not able to transmit a high-level data bit on the SDA and the Bus State (BUSSTATE) bit field from the Host Status (TWIn.MSTATUS) register will be changed to Busy. The hosts that lose the arbitration must wait until the bus becomes Idle before attempting to reacquire the bus ownership.

Both devices can issue a Start condition, but DEVICE1 loses arbitration when attempting to transmit a high-level (bit 5) while DEVICE2 is transmitting a low-level.

**Figure 25-7. TWI Arbitration**



### 25.3.3.3 Smart Mode

The TWI interface has a Smart mode that simplifies the application code and minimizes the user interaction needed to adhere to the I<sup>2</sup>C protocol.

For the TWI host, the Smart mode will automatically send the ACK action as soon as the Host Data (TWIn.MDATA) register is read. This feature is only active when the Acknowledge Action (ACKACT) bit in the Host Control B (TWIn.MCTRLB) register is set to ACK. If the ACKACT bit is set to NACK, the TWI host will not generate a NACK after the MDATA register is read. This feature is enabled when the Smart Mode Enable (SMEN) bit in the Host Control A (TWIn.MCTRLA) register is set to '1'.

For the TWI client, the Smart mode will automatically send the ACK action as soon as the Client Data (TWIn.SDATA) register is read. The Smart mode will automatically set the Data Interrupt Flag (DIF) to '0' in the Client Status (TWIn.SSTATUS) register if the TWIn.SDATA register is read or written. This feature is enabled when the Smart Mode Enable (SMEN) bit in the Client Control A (TWIn.SCTRLA) register is set to '1'.

### 25.3.3.4 Dual Mode

The TWI supports Dual mode operation where the host and the client will operate simultaneously and independently. In this case, the Control A (TWIn.CTRLA) register will configure the host device, and the Dual Mode Control (TWIn.DUALCTRL) register will configure the client device. See the [25.3.2.1 Initialization](#) section for more details about the host configuration.

If used, the following bits must be configured before enabling the TWI Dual mode:

- The SDA Hold Time (SDAHOLD) bit field in the DUALCTRL register
- The FM Plus Enable (FMPEN) bit from the DUALCTRL register

The Dual mode can be enabled by writing a '1' to the Dual Control Enable (ENABLE) bit in the DUALCTRL register.

### 25.3.3.5 Quick Command Mode

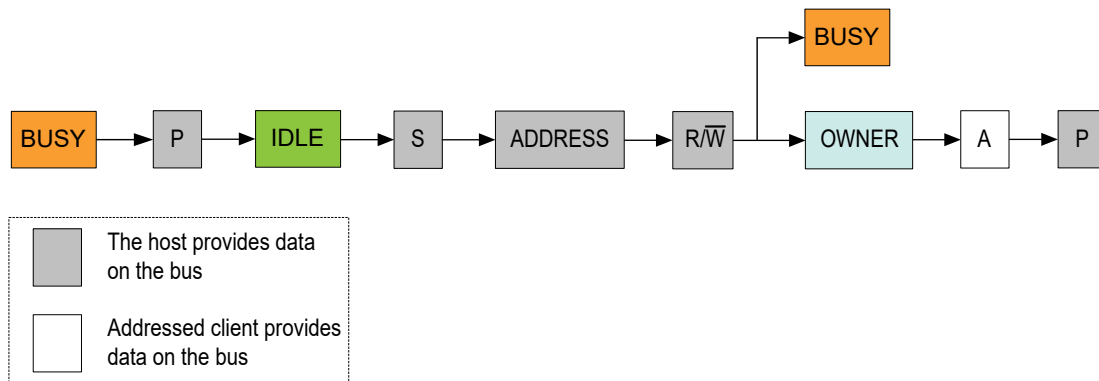
With Quick Command mode, the R/W bit from the address packet denotes the command. This mode is enabled by writing '1' to the Quick Command Enable (QCEN) bit in the Host Control A (TWIn.MCTRLA) register. There are no data sent or received.

The Quick Command mode is SMBus specific, where the R/W bit can be used to turn a device function on/off or to enable/disable a low-power Standby mode. This mode can be enabled to auto-trigger operations and reduce software complexity.

After the host receives an ACK from the client, either the Read Interrupt Flag (RIF) or Write Interrupt Flag (WIF) will be set, depending on the value of the R/W bit. When either the RIF or WIF flag is set after issuing a Quick Command, the TWI will accept a Stop command by writing the Command (MCMD) bit field in the Host Control B (TWIn.MCTRLB) register.

The RIF and WIF flags, together with the value of the last Received Acknowledge (RXACK) flag, are all located in the Host Status (TWIn.MSTATUS) register.

**Figure 25-8. Quick Command Frame Format**



### 25.3.3.6 10-bit Address

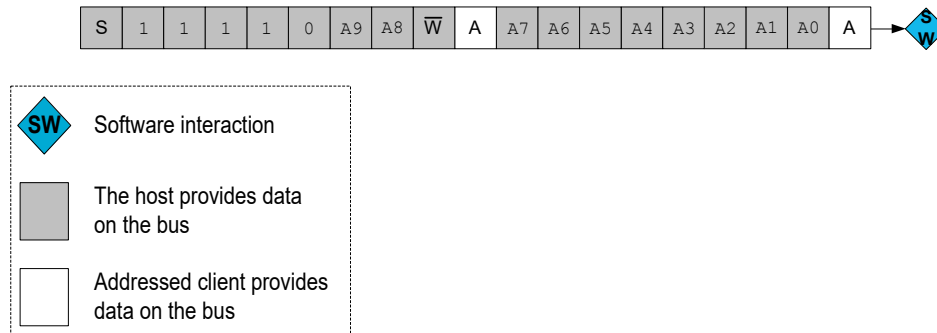
Regardless of whether the transaction is a read or write, the host must start by sending the 10-bit address with the R/W direction bit set to '0'.



The client address match logic supports recognition of 7-bit addresses and General Call Address. The Client Address (TWIn.SADDR) register is used by the client address match logic to determine if a host device has addressed the TWI client.

The TWI client address match logic only supports recognition of the first byte of a 10-bit address, and the second byte must be handled in software. The first byte of the 10-bit address will be recognized if the upper five bits of the Client Address (TWIn.SADDR) register are 0b11110. Thus, the first byte will consist of five indication bits, the two Most Significant bits (MSb) of the 10-bits address, and the R/W direction bit. The Least Significant Byte (LSB) of the address that follows from the host will come in the form of a data packet.

**Figure 25-9. 10-bit Address Transmission**



### 25.3.4 Interrupts

**Table 25-1. Available Interrupt Vectors and Sources**

| Name   | Vector Description   | Conditions   |
|--------|----------------------|--|
| Client | TWI Client interrupt | <ul style="list-style-type: none"> <li>DIF: Data Interrupt Flag in TWIn.SSTATUS is set to '1'</li> <li>APIF: Address or Stop Interrupt Flag in TWIn.SSTATUS is set to '1'</li> </ul> |
| Host   | TWI Host interrupt   | <ul style="list-style-type: none"> <li>RIF: Read Interrupt Flag in TWIn.MSTATUS is set to '1'</li> <li>WIF: Write Interrupt Flag in TWIn.MSTATUS is set to '1'</li> </ul>            |

When an interrupt condition occurs, the corresponding interrupt flag is set in the Host Status (TWIn.MSTATUS) register or the Client Status (TWIn.SSTATUS) register.

When several interrupt request conditions are supported by an interrupt vector, the interrupt requests are ORed together into one combined interrupt request to the interrupt controller. The user must read the interrupt flags from the TWIn.MSTATUS register or the TWIn.SSTATUS register to determine which of the interrupt conditions are present.

### 25.3.5 Sleep Mode Operation

The bus state logic and the address recognition hardware continue to operate in all sleep modes. If a client device is in a sleep mode and a Start condition followed by the address of the client is detected, clock stretching is active during the wake-up period until the main clock is available. The host will stop operation in all sleep modes. When the Dual mode is active, the device will wake up only when the Start condition is sent on the bus of the client.

### 25.3.6 Debug Operation

During run-time debugging, the TWI will continue normal operation. Halting the CPU in Debugging mode will halt the normal operation of the TWI. The TWI can be forced to operate with a halted CPU by writing a '1' to the Debug Run (DBGRUN) bit in the Debug Control (TWIn.DBGCTRL) register. When the CPU is halted in Debug mode, and the DBGRUN bit is '1', reading or writing the Host Data (TWIn.MDATA) register or the Client Data (TWIn.SDATA) register will neither trigger a bus operation nor cause transmit and clear flags. If the TWI is configured to require periodical service by the CPU through interrupts or similar, improper operation or data loss may result during halted debugging.

### 25.4 Register Summary

| Offset | Name                      | Bit Pos. | 7             | 6     | 5       | 4        | 3       | 2            | 1             | 0      |        |
|--------|---------------------------|----------|---------------|-------|---------|----------|---------|--------------|---------------|--------|--------|
| 0x00   | <a href="#">CTRLA</a>     | 7:0      |               |       |         | SDASETUP |         | SDAHOLD[1:0] | FMPEN         |        |        |
| 0x01   | <a href="#">DUALCTRL</a>  | 7:0      |               |       |         |          |         | SDAHOLD[1:0] | FMPEN         | ENABLE |        |
| 0x02   | <a href="#">DBGCTRL</a>   | 7:0      |               |       |         |          |         |              |               | DBGRUN |        |
| 0x03   | <a href="#">MCTRLA</a>    | 7:0      | RIEN          | WIEN  |         | QCEN     |         | TIMEOUT[1:0] | SMEN          | ENABLE |        |
| 0x04   | <a href="#">MCTRLB</a>    | 7:0      |               |       |         |          | FLUSH   | ACKACT       | MCMD[1:0]     |        |        |
| 0x05   | <a href="#">MSTATUS</a>   | 7:0      | RIF           | WIF   | CLKHOLD | RXACK    | ARBLOST | BUSERR       | BUSSTATE[1:0] |        |        |
| 0x06   | <a href="#">MBAUD</a>     | 7:0      | BAUD[7:0]     |       |         |          |         |              |               |        |        |
| 0x07   | <a href="#">MADDR</a>     | 7:0      | ADDR[7:0]     |       |         |          |         |              |               |        |        |
| 0x08   | <a href="#">MDATA</a>     | 7:0      | DATA[7:0]     |       |         |          |         |              |               |        |        |
| 0x09   | <a href="#">SCTRLA</a>    | 7:0      | DIEN          | APIEN | PIEN    |          |         | PMEN         | SMEN          | ENABLE |        |
| 0x0A   | <a href="#">SCTRLB</a>    | 7:0      |               |       |         |          |         | ACKACT       | SCMD[1:0]     |        |        |
| 0x0B   | <a href="#">SSTATUS</a>   | 7:0      | DIF           | APIF  | CLKHOLD | RXACK    | COLL    | BUSERR       | DIR           | AP     |        |
| 0x0C   | <a href="#">SADDR</a>     | 7:0      | ADDR[7:0]     |       |         |          |         |              |               |        |        |
| 0x0D   | <a href="#">SDATA</a>     | 7:0      | DATA[7:0]     |       |         |          |         |              |               |        |        |
| 0x0E   | <a href="#">SADDRMASK</a> | 7:0      | ADDRMASK[6:0] |       |         |          |         |              |               |        | ADDREN |

### 25.5 Register Description

### 25.5.1 Control A

**Name:** CTRLA  
**Offset:** 0x00  
**Reset:** 0x00  
**Property:** -

|        |   |   |   |          |              |     |       |   |
|--------|---|---|---|----------|--------------|-----|-------|---|
| Bit    | 7 | 6 | 5 | 4        | 3            | 2   | 1     | 0 |
|        |   |   |   | SDASETUP | SDAHOLD[1:0] |     | FMPEN |   |
| Access |   |   |   | R/W      | R/W          | R/W | R/W   |   |
| Reset  |   |   |   | 0        | 0            | 0   | 0     |   |

#### Bit 4 – SDASETUP SDA Setup Time

This bit is used in TWI Client mode to select the clock hold time to ensure minimum setup time on the SDA out signal. By default, there are four clock cycles of setup time on the SDA out signal while reading from the client part of the TWI module. Writing this bit to '1' will change the setup time to eight clock cycles.

| Value | Name | Description                          |
|-------|------|--------------------------------------|
| 0     | 4CYC | SDA setup time is four clock cycles  |
| 1     | 8CYC | SDA setup time is eight clock cycles |

#### Bits 3:2 – SDAHOLD[1:0] SDA Hold Time

Writing this bit field selects the SDA hold time for the TWI. See the *Electrical Characteristics* section for details.

| Value | Name  | Description   |
|-------|-------|---|
| 0x0   | OFF   | Hold time OFF   |
| 0x1   | 50NS  | Short hold time   |
| 0x2   | 300NS | Meets the SMBus 2.0 specifications under typical conditions |
| 0x3   | 500NS | Meets the SMBus 2.0 specifications across all corners       |

#### Bit 1 – FMPEN FM Plus Enable

Writing a '1' to this bit selects the 1 MHz bus speed (Fast mode plus, Fm+) for the TWI in default configuration or TWI Host in Dual mode configuration.

| Value | Description                             |
|-------|---|
| 0     | Operating in Standard mode or Fast mode |
| 1     | Operating in Fast mode plus             |

### 25.5.2 Dual Mode Control Configuration

**Name:** DUALCTRL  
**Offset:** 0x01  
**Reset:** 0x00  
**Property:** -

|        |   |   |   |   |              |     |       |        |
|--------|---|---|---|---|--------------|-----|-------|--------|
| Bit    | 7 | 6 | 5 | 4 | 3            | 2   | 1     | 0      |
|        |   |   |   |   | SDAHOLD[1:0] |     | FMPEN | ENABLE |
| Access |   |   |   |   | R/W          | R/W | R/W   | R/W    |
| Reset  |   |   |   |   | 0            | 0   | 0     | 0      |

#### Bits 3:2 – SDAHOLD[1:0] SDA Hold Time

These bits select the SDA hold time for the TWI Client.

This bit field is ignored when the dual control is disabled.

| Value | Name  | Description   |
|-------|-------|---|
| 0x0   | OFF   | Hold time OFF   |
| 0x1   | 50NS  | Short hold time   |
| 0x2   | 300NS | Meets the SMBus 2.0 specifications under typical conditions |
| 0x3   | 500NS | Meets the SMBus 2.0 specifications across all corners       |

#### Bit 1 – FMPEN FM Plus Enable

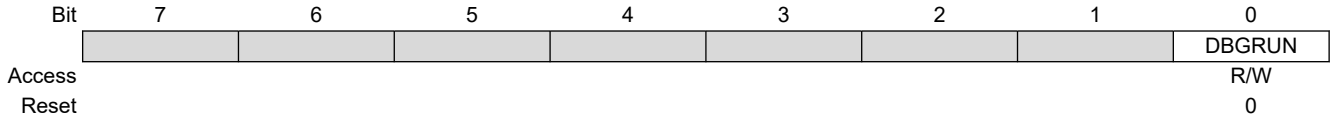
This bit selects the 1 MHz bus speed for the TWI Client. This bit is ignored when dual control is disabled.

#### Bit 0 – ENABLE Dual Control Enable

Writing this bit to '1' enables the TWI dual control.

**25.5.3 Debug Control**

**Name:** DBGCTRL  
**Offset:** 0x02  
**Reset:** 0x00  
**Property:** -



**Bit 0 – DBGRUN** Debug Run  
Refer to the *Debug Operation* section for details.

| Value | Description   |
|-------|---|
| 0     | The TWI is halted in Break Debug mode and ignores events                |
| 1     | The TWI will continue to run in Break Debug mode when the CPU is halted |

### 25.5.4 Host Control A

**Name:** MCTRLA  
**Offset:** 0x03  
**Reset:** 0x00  
**Property:** -

| Bit    | 7    | 6    | 5 | 4    | 3            | 2   | 1    | 0      |
|--------|------|------|---|------|--------------|-----|------|--------|
|        | RIEN | WIEN |   | QCEN | TIMEOUT[1:0] |     | SMEN | ENABLE |
| Access | R/W  | R/W  |   | R/W  | R/W          | R/W | R/W  | R/W    |
| Reset  | 0    | 0    |   | 0    | 0            | 0   | 0    | 0      |

#### Bit 7 – RIEN Read Interrupt Enable

A TWI host read interrupt will be generated only if this bit and the Global Interrupt Enable (I) bit in the Status (CPU.SREG) register are set to '1'.

Writing a '1' to this bit enables the interrupt on the Read Interrupt Flag (RIF) in the Host Status (TWIn.MSTATUS) register. When the host read interrupt occurs, the RIF flag is set to '1'.

#### Bit 6 – WIEN Write Interrupt Enable

A TWI host write interrupt will be generated only if this bit and the Global Interrupt Enable (I) bit in the Status (CPU.SREG) register are set to '1'.

Writing a '1' to this bit enables the interrupt on the Write Interrupt Flag (WIF) in the Host Status (TWIn.MSTATUS) register. When the host write interrupt occurs, the WIF flag is set to '1'.

#### Bit 4 – QCEN Quick Command Enable

Writing a '1' to this bit enables the Quick Command mode. If the Quick Command mode is enabled and a client acknowledges the address, the corresponding Read Interrupt Flag (RIF) or Write Interrupt Flag (WIF) will be set depending on the value of the R/W bit.

The software must issue a Stop command by writing to the Command (MCMD) bit field in the Host Control B (TWIn.MCTRLB) register.

#### Bits 3:2 – TIMEOUT[1:0] Inactive Bus Time-Out

Setting this bit field to a nonzero value will enable the inactive bus time-out supervisor. If the bus is inactive for longer than the TIMEOUT setting, the bus state logic will enter the Idle state.

| Value | Name     | Description  |
|-------|----------|--|
| 0x0   | DISABLED | Bus time-out disabled - I <sup>2</sup> C               |
| 0x1   | 50US     | 50 μs - SMBus (assume the baud rate is set to 100 kHz) |
| 0x2   | 100US    | 100 μs (assume the baud rate is set to 100 kHz)        |
| 0x3   | 200US    | 200 μs (assume the baud rate is set to 100 kHz)        |

#### Bit 1 – SMEN Smart Mode Enable

Writing a '1' to this bit enables the Host Smart mode. When the Smart mode is enabled, the existing value in the Acknowledge Action (ACKACT) bit from the Host Control B (TWIn.MCTRLB) register is sent immediately after reading the Host Data (TWIn.MDATA) register.

#### Bit 0 – ENABLE Enable TWI Host

Writing a '1' to this bit enables the TWI as host.

### 25.5.5 Host Control B

**Name:** MCTRLB  
**Offset:** 0x04  
**Reset:** 0x00  
**Property:** -

|        |   |   |   |   |       |        |           |     |
|--------|---|---|---|---|-------|--------|-----------|-----|
| Bit    | 7 | 6 | 5 | 4 | 3     | 2      | 1         | 0   |
|        |   |   |   |   | FLUSH | ACKACT | MCMD[1:0] |     |
| Access |   |   |   |   | R/W   | R/W    | R/W       | R/W |
| Reset  |   |   |   |   | 0     | 0      | 0         | 0   |

#### Bit 3 – FLUSH Flush

This bit clears the internal state of the host and the bus states changes to Idle. The TWI will transmit invalid data if the Host Data (TWIn.MDATA) register is written before the Host Address (TWIn.MADDR) register.

Writing a '1' to this bit generates a strobe for one clock cycle, disabling the host and then re-enabling the host. Writing a '0' to this bit has no effect.

#### Bit 2 – ACKACT Acknowledge Action

The ACKACT<sup>(1)</sup> bit represents the behavior in the Host mode under certain conditions defined by the bus state and the software interaction. If the Smart Mode Enable (SMEN) bit in the Host Control A (TWIn.MCTRLA) register is set to '1', the acknowledge action is performed when the Host Data (TWIn.MDATA) register is read, else a command must be written to the Command (MCDM) bit field in the Host Control B (TWIn.MCTRLB) register.

The acknowledge action is not performed when the Host Data (TWIn.MDATA) register is written since the host is sending data.

| Value | Name | Description |
|-------|------|-------------|
| 0     | ACK  | Send ACK    |
| 1     | NACK | Send NACK   |

#### Bits 1:0 – MCMD[1:0] Command

The MCMD<sup>(1)</sup> bit field is a strobe. This bit field is always read as '0'.

Writing to this bit field triggers a host operation, as defined by the table below.

**Table 25-2. Command Settings**

| MCMD[1:0] | Group Configuration | DIR | Description  |
|-----------|---------------------|-----|--|
| 0x0       | NOACT               | X   | Reserved   |
| 0x1       | REPSTART            | X   | Execute Acknowledge Action followed by repeated Start condition                          |
| 0x2       | RECVTRANS           | W   | Execute Acknowledge Action (no action) followed by a byte write operation <sup>(2)</sup> |
|           |                     | R   | Execute Acknowledge Action followed by a byte read operation                             |
| 0x3       | STOP                | X   | Execute Acknowledge Action followed by issuing a Stop condition                          |

#### Notes:

1. The ACKACT bit and the MCMD bit field can be written at the same time.
2. For a host write operation, the TWI will wait for new data to be written to the Host Data (TWIn.MDATA) register.

### 25.5.6 Host Status

**Name:** MSTATUS  
**Offset:** 0x05  
**Reset:** 0x00  
**Property:** -

| Bit    | 7   | 6   | 5       | 4     | 3       | 2      | 1             | 0   |
|--------|-----|-----|---------|-------|---------|--------|---------------|-----|
|        | RIF | WIF | CLKHOLD | RXACK | ARBLOST | BUSERR | BUSSTATE[1:0] |     |
| Access | R/W | R/W | R/W     | R     | R/W     | R/W    | R/W           | R/W |
| Reset  | 0   | 0   | 0       | 0     | 0       | 0      | 0             | 0   |

#### Bit 7 – RIF Read Interrupt Flag

This flag is set to '1' when the host byte read operation is completed.

The RIF flag can be used for a host read interrupt. More information can be found in the Read Interrupt Enable (RIEN) bit from the Host Control A (TWIn.MCTRLA) register.

This flag is automatically cleared when accessing several other TWI registers. The RIF flag can be cleared by choosing one of the following methods:

1. Writing a '1' to it.
2. Writing to the Host Address (TWIn.MADDR) register.
3. Writing/Reading the Host Data (TWIn.MDATA) register.
4. Writing to the Command (MCMD) bit field from the Host Control B (TWIn.MCTRLB) register.

#### Bit 6 – WIF Write Interrupt Flag

This flag is set to '1' when a host transmit address or byte write operation is completed, regardless of the occurrence of a bus error or arbitration lost condition.

The WIF flag can be used for a host write interrupt. More information can be found from the Write Interrupt Enable (WIEN) bit in the Host Control A (TWIn.MCTRLA) register.

This flag can be cleared by choosing one of the methods described for the RIF flag.

#### Bit 5 – CLKHOLD Clock Hold

When this bit is read as '1', it indicates that the host is currently holding the SCL low, stretching the TWI clock period.

This bit can be cleared by choosing one of the methods described for the RIF flag.

#### Bit 4 – RXACK Received Acknowledge

When this flag is read as '0', it indicates that the most recent Acknowledge bit from the client was ACK, and the client is ready for more data.

When this flag is read as '1', it indicates that the most recent Acknowledge bit from the client was NACK, and the client is not able to or does not need to receive more data.

#### Bit 3 – ARBLOST Arbitration Lost

When this bit is read as '1', it indicates that the host has lost arbitration. This can happen in one of the following cases:

1. While transmitting a high data bit.
2. While transmitting a NACK bit.
3. While issuing a Start condition (S).
4. While issuing a repeated Start (Sr).

This flag can be cleared by choosing one of the methods described for the RIF flag.

#### Bit 2 – BUSERR Bus Error

The BUSERR flag indicates that an illegal bus operation has occurred. An illegal bus operation is detected if a protocol violating the Start (S), repeated Start (Sr), or Stop (P) conditions is detected on the TWI bus lines. A Start condition directly followed by a Stop condition is one example of a protocol violation.

The BUSERR flag can be cleared by choosing one of the following methods:



1. Writing a '1' to it.
2. Writing to the Host Address (TWIn.MADDR) register.

The TWI bus error detector is part of the TWI host circuitry. For the bus errors to be detected, the TWI host must be enabled (ENABLE bit in TWIn.MCTRLA is '1'), and the main clock frequency must be at least four times the SCL frequency.

### Bits 1:0 – BUSSTATE[1:0] Bus State

This bit field indicates the current TWI bus state.

| Value | Name    | Description               |
|-------|---------|---------------------------|
| 0x0   | UNKNOWN | Unknown bus state         |
| 0x1   | IDLE    | Idle bus state            |
| 0x2   | OWNER   | This TWI controls the bus |
| 0x3   | BUSY    | Busy bus state            |

**25.5.7 Host Baud Rate**

**Name:** MBAUD  
**Offset:** 0x06  
**Reset:** 0x00  
**Property:** -

|        |           |     |     |     |     |     |     |     |
|--------|-----------|-----|-----|-----|-----|-----|-----|-----|
|        | 7         | 6   | 5   | 4   | 3   | 2   | 1   | 0   |
|        | BAUD[7:0] |     |     |     |     |     |     |     |
| Access | R/W       | R/W | R/W | R/W | R/W | R/W | R/W | R/W |
| Reset  | 0         | 0   | 0   | 0   | 0   | 0   | 0   | 0   |

**Bits 7:0 – BAUD[7:0] Baud Rate**

This bit field is used to derive the SCL high and low time. It must be written while the host is disabled. The host can be disabled by writing '0' to the Enable TWI Host (ENABLE) bit from the Host Control A (TWIn.MCTRLA) register. Refer to the *Clock Generation* section for more information on how to calculate the frequency of the SCL.

### 25.5.8 Host Address

**Name:** MADDR  
**Offset:** 0x07  
**Reset:** 0x00  
**Property:** -

|        |           |     |     |     |     |     |     |     |
|--------|-----------|-----|-----|-----|-----|-----|-----|-----|
| Bit    | 7         | 6   | 5   | 4   | 3   | 2   | 1   | 0   |
|        | ADDR[7:0] |     |     |     |     |     |     |     |
| Access | R/W       | R/W | R/W | R/W | R/W | R/W | R/W | R/W |
| Reset  | 0         | 0   | 0   | 0   | 0   | 0   | 0   | 0   |

#### Bits 7:0 – ADDR[7:0] Address

This register contains the address of the external client device. When this bit field is written, the TWI will issue a Start condition, and the shift register performs a byte transmit operation on the bus depending on the bus state.

This register can be read at any time without interfering with the ongoing bus activity since a read access does not trigger the host logic to perform any bus protocol related operations.

The host control logic uses the bit 0 of this register as the R/W direction bit.

### 25.5.9 Host Data

**Name:** MDATA  
**Offset:** 0x08  
**Reset:** 0x00  
**Property:** -

|        |           |     |     |     |     |     |     |     |
|--------|-----------|-----|-----|-----|-----|-----|-----|-----|
| Bit    | 7         | 6   | 5   | 4   | 3   | 2   | 1   | 0   |
|        | DATA[7:0] |     |     |     |     |     |     |     |
| Access | R/W       | R/W | R/W | R/W | R/W | R/W | R/W | R/W |
| Reset  | 0         | 0   | 0   | 0   | 0   | 0   | 0   | 0   |

#### Bits 7:0 – DATA[7:0] Data

This bit field provides direct access to the host's physical shift register, which is used to shift out data on the bus (transmit) and to shift in data received from the bus (receive). The direct access implies that the MDATA register cannot be accessed during byte transmissions.

Reading valid data or writing data to be transmitted can only be successful when the CLKHOLD bit is read as '1' or when an interrupt occurs.

A write access to the MDATA register will command the host to perform a byte transmit operation on the bus, directly followed by receiving the Acknowledge bit from the client. This is independent of the Acknowledge Action (ACKACT) bit from the Host Control B (TWIn.MCTRLB) register. The write operation is performed regardless of winning or losing arbitration before the Write Interrupt Flag (WIF) is set to '1'.

If the Smart Mode Enable (SMEN) bit in the Host Control A (TWIn.MCTRLA) register is set to '1', a read access to the MDATA register will command the host to perform an acknowledge action. This is dependent on the setting of the Acknowledge Action (ACKACT) bit from the Host Control B (TWIn.MCTRLB) register.

#### Notes:

1. The WIF and RIF flags are cleared automatically if the MDATA register is read while ACKACT is set to '1'.
2. The ARBLOST and BUSEER flags are left unchanged.
3. The WIF, RIF, ARBLOST, and BUSERR flags together with the Clock Hold (CLKHOLD) bit are all located in the Host Status (TWIn.MSTATUS) register.

### 25.5.10 Client Control A

**Name:** SCTRLA  
**Offset:** 0x09  
**Reset:** 0x00  
**Property:** -

| Bit    | 7    | 6     | 5    | 4 | 3 | 2    | 1    | 0      |
|--------|------|-------|------|---|---|------|------|--------|
|        | DIEN | APIEN | PIEN |   |   | PMEN | SMEN | ENABLE |
| Access | R/W  | R/W   | R/W  |   |   | R/W  | R/W  | R/W    |
| Reset  | 0    | 0     | 0    |   |   | 0    | 0    | 0      |

#### Bit 7 – DIEN Data Interrupt Enable

Writing this bit to '1' enables an interrupt on the Data Interrupt Flag (DIF) from the Client Status (TWIn.SSTATUS) register.

A TWI client data interrupt will be generated only if this bit, the DIF flag, and the Global Interrupt Enable (I) bit in the Status (CPU.SREG) register are all '1'.

#### Bit 6 – APIEN Address or Stop Interrupt Enable

Writing this bit to '1' enables an interrupt on the Address or Stop Interrupt Flag (APIF) from the Client Status (TWIn.SSTATUS) register.

A TWI client address or stop interrupt will be generated only if this bit, the APIF flag, and the Global Interrupt Enable (I) bit in the Status (CPU.SREG) register are all '1'.

#### Notes:

1. The client stop interrupt shares the interrupt flag and vector with the client address interrupt.
2. The Stop Interrupt Enable (PIEN) bit in the Client Control A (TWIn.SCTRLA) register must be written to '1' for the APIF to be set on a Stop condition.
3. When the interrupt occurs, the Address or Stop (AP) bit in the Client Status (TWIn.SSTATUS) register will determine whether an address match or a Stop condition caused the interrupt.

#### Bit 5 – PIEN Stop Interrupt Enable

Writing this bit to '1' allows the Address or Stop Interrupt Flag (APIF) in the Client Status (TWIn.SSTATUS) register to be set when a Stop condition occurs. The main clock frequency must be at least four times the SCL frequency to use this feature.

#### Bit 2 – PMEN Permissive Mode Enable

If this bit is written to '1', the client address match logic responds to all received addresses.

If this bit is written to '0', the address match logic uses the Client Address (TWIn.SADDR) register to determine which address to recognize as the client's address.

#### Bit 1 – SMEN Smart Mode Enable

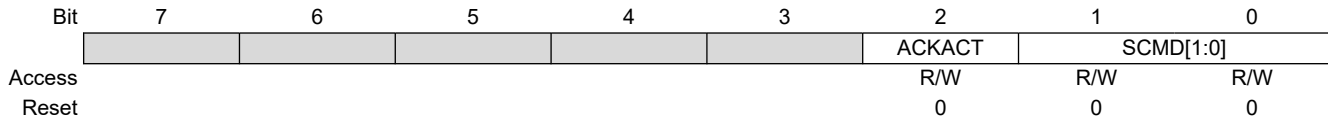
Writing this bit to '1' enables the client Smart mode. When the Smart mode is enabled, issuing a command by writing to the Command (SCMD) bit field in the Client Control B (TWIn.SCTRLB) register or accessing the Client Data (TWIn.SDATA) register resets the interrupt, and the operation continues. If the Smart mode is disabled, the client always waits for a new client command before continuing.

#### Bit 0 – ENABLE Enable TWI Client

Writing this bit to '1' enables the TWI client.

### 25.5.11 Client Control B

**Name:** SCTRLB  
**Offset:** 0x0A  
**Reset:** 0x00  
**Property:** -



#### Bit 2 – ACKACT Acknowledge Action

The ACKACT<sup>(1)</sup> bit represents the behavior of the client device under certain conditions defined by the bus protocol state and the software interaction. If the Smart Mode Enable (SMEN) bit in the Client Control A (TWIn.SCTRLA) register is set to '1', the acknowledge action is performed when the Client Data (TWIn.SDATA) register is read, else a command must be written to the Command (SCMD) bit field in the Client Control B (TWIn.SCTRLB) register. The acknowledge action is not performed when the Client Data (TWIn.SDATA) register is written since the client is sending data.

| Value | Name | Description |
|-------|------|-------------|
| 0     | ACK  | Send ACK    |
| 1     | NACK | Send NACK   |

#### Bits 1:0 – SCMD[1:0] Command

The SCMD<sup>(1)</sup> bit field is a strobe. This bit field is always read as '0'.

Writing to this bit field triggers a client operation as defined by the table below.

**Table 25-3. Command Settings**

| Value | Name      | DIR       | Description   |
|-------|-----------|-----------|---|
| 0x0   | NOACT     | X         | No action   |
| 0x1   | —         | X         | Reserved  |
| 0x2   | COMPTRANS | $\bar{W}$ | Execute Acknowledge Action succeeded by waiting for any Start (S/Sr) condition                                  |
|       |           | R         | Wait for any Start (S/Sr) condition   |
| 0x3   | RESPONSE  | $\bar{W}$ | Execute Acknowledge Action succeeded by reception of next byte  |
|       |           | R         | Used in response to an address interrupt (APIF): Execute Acknowledge Action succeeded by client data interrupt. |
|       |           |           | Used in response to a data interrupt (DIF): Execute a byte read operation followed by Acknowledge Action.       |

**Note:** 1. The ACKACT bit and the SCMD bit field can be written at the same time. The ACKACT will be updated before the command is triggered.

### 25.5.12 Client Status

**Name:** SSTATUS  
**Offset:** 0x0B  
**Reset:** 0x00  
**Property:** -

| Bit    | 7   | 6    | 5       | 4     | 3    | 2      | 1   | 0  |
|--------|-----|------|---------|-------|------|--------|-----|----|
|        | DIF | APIF | CLKHOLD | RXACK | COLL | BUSERR | DIR | AP |
| Access | R/W | R/W  | R       | R     | R/W  | R/W    | R   | R  |
| Reset  | 0   | 0    | 0       | 0     | 0    | 0      | 0   | 0  |

#### Bit 7 – DIF Data Interrupt Flag

This flag is set to '1' when the client byte transmit or receive operation is completed without any bus errors. This flag can be set to '1' with an unsuccessful transaction in case of collision detection. More information can be found in the Collision (COLL) bit description.

The DIF flag can generate a client data interrupt. More information can be found in Data Interrupt Enable (DIEN) bit from the Client Control A (TWIn.SCTRLA) register.

This flag is automatically cleared when accessing several other TWI registers. The DIF flag can be cleared by choosing one of the following methods:

1. Writing/Reading the Client Data (TWIn.SDATA) register.
2. Writing to the Command (SCMD) bit field from the Client Control B (TWIn.SCTRLB) register.

#### Bit 6 – APIF Address or Stop Interrupt Flag

This flag is set to '1' when the client address has been received or by a Stop condition.

The APIF flag can generate a client address or stop interrupt. More information can be found in the Address or Stop Interrupt Enable (APIEN) bit from the Client Control A (TWIn.SCTRLA) register.

This flag can be cleared by choosing one of the methods described for the DIF flag.

#### Bit 5 – CLKHOLD Clock Hold

When this bit is read as '1', it indicates that the client is currently holding the SCL low, stretching the TWI clock period.

This bit is set to '1' when an address or data interrupt occurs. Resetting the corresponding interrupt will indirectly set this bit to '0'.

#### Bit 4 – RXACK Received Acknowledge

When this flag is read as '0', it indicates that the most recent Acknowledge bit from the host was ACK.

When this flag is read as '1', it indicates that the most recent Acknowledge bit from the host was NACK.

#### Bit 3 – COLL Collision

When this bit is read as '1', it indicates that the client has not been able to do one of the following:

1. Transmit high bits on the SDA. The Data Interrupt Flag (DIF) will be set to '1' at the end as a result of the internal completion of an unsuccessful transaction.
2. Transmit the NACK bit. The collision occurs because the client address match already took place, and the APIF flag is set to '1' as a result.

Writing a '1' to this bit will clear the COLL flag. The flag is automatically cleared if any Start condition (S/Sr) is detected.

**Note:** The APIF and DIF flags can only generate interrupts whose handlers can be used to check for the collision.

#### Bit 2 – BUSERR Bus Error

The BUSERR flag indicates that an illegal bus operation has occurred. An illegal bus operation is detected if a protocol violating the Start (S), repeated Start (Sr), or Stop (P) conditions is detected on the TWI bus lines. A Start condition directly followed by a Stop condition is one example of a protocol violation.

Writing a '1' to this bit will clear the BUSERR flag.

The TWI bus error detector is part of the TWI Host circuitry. For the bus errors to be detected by the client, the TWI Host and the TWI Dual mode must both be enabled, and the main clock frequency must be at least four times the SCL frequency. The TWI Dual mode can be enabled by writing '1' to the ENABLE bit in the TWIn.DUALCTRL register, and the TWI Host can be enabled by writing '1' to the ENABLE bit in the TWIn.MCTRLA register.

### Bit 1 – DIR Read/Write Direction

This bit indicates the current TWI bus direction. The DIR bit reflects the direction bit value from the last address packet received from a host TWI device.

When this bit is read as '1', it indicates that a host read operation is in progress.

When this bit is read as '0', it indicates that a host write operation is in progress.

### Bit 0 – AP Address or Stop

When the TWI client Address or Stop Interrupt Flag (APIF) is set '1', this bit determines whether the interrupt is due to an address detection or a Stop condition.

| Value | Name | Description  |
|-------|------|--|
| 0     | STOP | A Stop condition generated the interrupt on the APIF flag  |
| 1     | ADR  | Address detection generated the interrupt on the APIF flag |



### 25.5.13 Client Address

**Name:** SADDR  
**Offset:** 0x0C  
**Reset:** 0x00  
**Property:** -

|        |           |     |     |     |     |     |     |     |
|--------|-----------|-----|-----|-----|-----|-----|-----|-----|
| Bit    | 7         | 6   | 5   | 4   | 3   | 2   | 1   | 0   |
|        | ADDR[7:0] |     |     |     |     |     |     |     |
| Access | R/W       | R/W | R/W | R/W | R/W | R/W | R/W | R/W |
| Reset  | 0         | 0   | 0   | 0   | 0   | 0   | 0   | 0   |

#### Bits 7:0 – ADDR[7:0] Address

The Client Address (TWIn.SADDR) register is used by the client address match logic to determine if a host device has addressed the TWI client. The Address or Stop Interrupt Flag (APIF) and the Address or Stop (AP) bit in the Client Status (TWIn.SSTATUS) register are set to '1' if an address packet is received.

The upper seven bits (ADDR[7:1]) of the TWIn.SADDR register represent the main client address.

The Least Significant bit (ADDR[0]) of the TWIn.SADDR register is used for the recognition of the General Call Address (0x00) of the I<sup>2</sup>C protocol. This feature is enabled when this bit is set to '1'.

### 25.5.14 Client Data

**Name:** SDATA  
**Offset:** 0x0D  
**Reset:** 0x00  
**Property:** -

|        |           |     |     |     |     |     |     |     |
|--------|-----------|-----|-----|-----|-----|-----|-----|-----|
| Bit    | 7         | 6   | 5   | 4   | 3   | 2   | 1   | 0   |
|        | DATA[7:0] |     |     |     |     |     |     |     |
| Access | R/W       | R/W | R/W | R/W | R/W | R/W | R/W | R/W |
| Reset  | 0         | 0   | 0   | 0   | 0   | 0   | 0   | 0   |

#### Bits 7:0 – DATA[7:0] Data

This bit field provides access to the client data register.

Reading valid data or writing data to be transmitted can only be achieved when the SCL is held low by the client (i.e., when the client CLKHOLD bit is set to '1'). It is not necessary to check the Clock Hold (CLKHOLD) bit from the Client Status (TWIn.SSTATUS) register in software before accessing the SDATA register if the software keeps track of the present protocol state by using interrupts or observing the interrupt flags.

If the Smart Mode Enable (SMEN) bit in the Client Control A (TWIn.SCTRLA) register is set to '1', a read access to the SDATA register, when the clock hold is active, auto-triggers bus operations and will command the client to perform an acknowledge action. This is dependent on the setting of the Acknowledge Action (ACKACT) bit from the Client Control B (TWIn.SCTRLB) register.

### 25.5.15 Client Address Mask

**Name:** SADDRMASK  
**Offset:** 0x0E  
**Reset:** 0x00  
**Property:** -

| Bit    | 7             | 6   | 5   | 4   | 3   | 2   | 1   | 0      |
|--------|---------------|-----|-----|-----|-----|-----|-----|--------|
|        | ADDRMASK[6:0] |     |     |     |     |     |     | ADDREN |
| Access | R/W           | R/W | R/W | R/W | R/W | R/W | R/W | R/W    |
| Reset  | 0             | 0   | 0   | 0   | 0   | 0   | 0   | 0      |

#### Bits 7:1 – ADDRMASK[6:0] Address Mask

The ADDRMASK bit field acts as a second address match or an address mask register depending on the ADDREN bit.

If the ADDREN bit is written to '0', the ADDRMASK bit field can be loaded with a 7-bit Client Address mask. Each of the bits in the Client Address Mask (TWIn.SADDRMASK) register can mask (disable) the corresponding address bits in the TWI Client Address (TWIn.SADDR) register. When a bit from the mask is written to '1', the address match logic ignores the comparison between the incoming address bit and the corresponding bit in the Client Address (TWIn.SADDR) register. In other words, masked bits will always match, making it possible to recognize the ranges of addresses.

If the ADDREN bit is written to '1', the Client Address Mask (TWIn.SADDRMASK) register can be loaded with a second client address in addition to the Client Address (TWIn.SADDR) register. In this mode, the client will have two unique addresses, one in the Client Address (TWIn.SADDR) register and the other one in the Client Address Mask (TWIn.SADDRMASK) register.

#### Bit 0 – ADDREN Address Mask Enable

If this bit is written to '0', the TWIn.SADDRMASK register acts as a mask to the TWIn.SADDR register.

If this bit is written to '1', the client address match logic responds to the two unique addresses in the client TWIn.SADDR and TWIn.SADDRMASK registers.

## 26. CRCSCAN - Cyclic Redundancy Check Memory Scan

### 26.1 Features

- CRC-16-CCITT
- Check of the Entire Flash Section, Application Code, and/or Boot Section
- Selectable NMI Trigger on Failure
- User-Configurable Check During Internal Reset Initialization

### 26.2 Overview

A Cyclic Redundancy Check (CRC) takes a data stream of bytes from the NVM (either the entire Flash, only the Boot section, or both the Boot section and the application code section) and generates a checksum. The CRC peripheral (CRCSCAN) can be used to detect errors in the program memory.

The last location in the section to check has to contain the correct pre-calculated 16-bit checksum for comparison. If the checksum calculated by the CRCSCAN and the pre-calculated checksums match, a status bit is set. If they do not match, the Status register (CRCSCAN.STATUS) will indicate that it failed. The user can choose to let the CRCSCAN generate a Non-Maskable Interrupt (NMI) if the checksums do not match.

An  $n$ -bit CRC applied to a data block of arbitrary length will detect any single alteration (error burst) up to  $n$  bits in length. For longer error bursts a fraction  $1-2^{-n}$  will be detected.

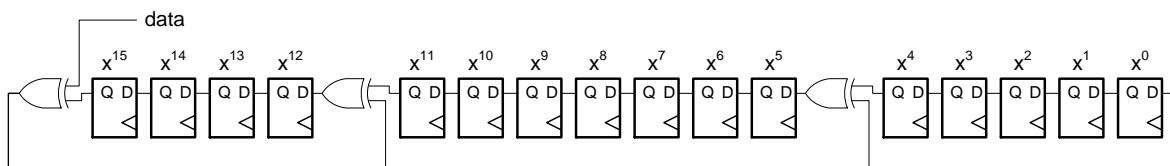
The CRC generator supports CRC-16-CCITT.

Polynomial:

- CRC-16-CCITT:  $x^{16} + x^{12} + x^5 + 1$

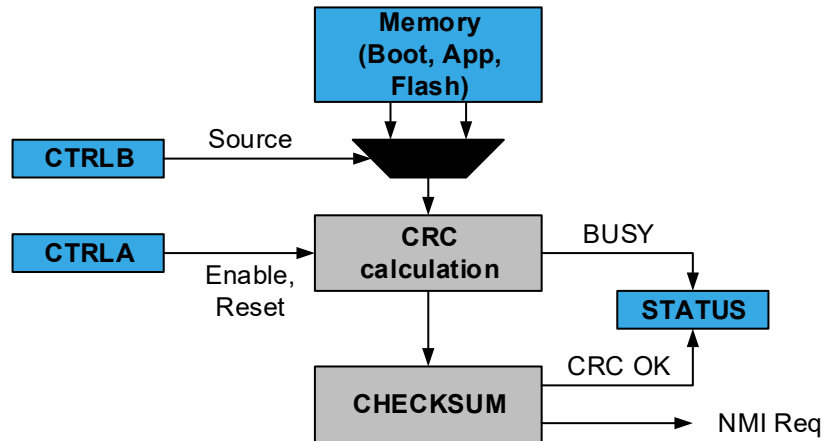
The CRC reads byte-by-byte the content of the section(s) it is set up to check, starting with byte 0, and generates a new checksum per byte. The byte is sent through a shift register as depicted below, starting with the Most Significant bit. If the last bytes in the section contain the correct checksum, the CRC will pass. See [26.3.2.1 Checksum](#) for how to place the checksum. The initial value of the Checksum register is 0xFFFF.

**Figure 26-1. CRC Implementation Description**



## 26.2.1 Block Diagram

Figure 26-2. Cyclic Redundancy Check Block Diagram



## 26.3 Functional Description

### 26.3.1 Initialization

To enable a CRC in software (or via the debugger):

1. Write the Source (SRC) bit field of the Control B register (CRCSCAN.CTRLB) to select the desired mode and source settings.
2. Enable the CRCSCAN by writing a '1' to the ENABLE bit in the Control A register (CRCSCAN.CTRLA).
3. The CRC will start after three cycles. The CPU will continue executing during these three cycles.

The CRCSCAN can be configured to perform a code memory scan before the device leaves Reset. If this check fails, the CPU is not allowed to start normal code execution. This feature is enabled and controlled by the CRCSRC field in FUSE.SYSCFG0, see the *Fuses* chapter for more information.

If this feature is enabled, a successful CRC check will have the following outcome:

- Normal code execution starts
- The ENABLE bit in CRCSCAN.CTRLA will be '1'
- The SRC bit field in CRCSCAN.CTRLB will reflect the checked section(s)
- The OK flag in CRCSCAN.STATUS will be '1'

If this feature is enabled, a non-successful CRC check will have the following outcome:

- Normal code execution does not start, the CPU will hang executing no code
- The ENABLE bit in CRCSCAN.CTRLA will be '1'
- The SRC bit field in CRCSCAN.CTRLB will reflect the checked section(s)
- The OK flag in CRCSCAN.STATUS will be '0'
- This condition may be observed using the debug interface

### 26.3.2 Operation

When the CRC is operating in Priority mode, the CRC peripheral has priority access to the Flash and will stall the CPU until completed.

In Priority mode the CRC fetches a new word (16-bit) on every third main clock cycle, or when the CRC peripheral is configured to do a scan from start-up.

#### 26.3.2.1 Checksum

The pre-calculated checksum must be present in the last location of the section to be checked. If the BOOT section is to be checked, the checksum must be saved in the last bytes of the BOOT section, and similarly for APPLICATION and the entire Flash. [Table 26-1](#) shows explicitly how the checksum must be stored for the different sections. Also,

see the CRCSCAN.CTRLB register description for how to configure which section to check and the device fuse description for how to configure the BOOTEND and APPEND fuses.

**Table 26-1. Placement of the Pre-Calculated Checksum in Flash**

| Section to Check     | CHECKSUM[15:8]     | CHECKSUM[7:0]      |
|----------------------|--------------------|--------------------|
| BOOT                 | FUSE_BOOTEND*256-2 | FUSE_BOOTEND*256-1 |
| BOOT and APPLICATION | FUSE_APPEND*256-2  | FUSE_APPEND*256-1  |
| Full Flash           | FLASHEND-1         | FLASHEND           |

### 26.3.3 Interrupts

**Table 26-2. Available Interrupt Vectors and Sources**

| Name | Vector Description     | Conditions  |
|------|------------------------|-------------|
| NMI  | Non-Maskable Interrupt | CRC failure |

When the interrupt condition occurs the OK flag in the Status (CRCSCAN.STATUS) register is cleared to '0'.

A Non-Maskable Interrupt (NMI) is enabled by writing a '1' to the respective Enable (NMIEN) bit in the Control A (CRCSCAN.CTRLA) register, but can only be disabled with a System Reset. An NMI is generated when the OK flag in the CRCSCAN.STATUS register is cleared, and the NMIEN bit is '1'. The NMI request remains active until a System Reset and cannot be disabled.

An NMI can be triggered even if interrupts are not globally enabled.

### 26.3.4 Sleep Mode Operation

CRCSCAN is halted in all Sleep modes. In all CPU Sleep modes, the CRCSCAN peripheral is halted and will resume operation when the CPU wakes up.

The CRCSCAN starts operation three cycles after writing the EN bit in CRCSCAN.CTRLA. During these three cycles, it is possible to enter Sleep mode. In this case:

1. The CRCSCAN will not start until the CPU is woken up.
2. Any interrupt handler will execute after CRCSCAN has finished.

### 26.3.5 Debug Operation

Whenever the debugger reads or writes a peripheral or memory location, the CRCSCAN will be disabled.

If the CRCSCAN is busy when the debugger accesses the device, the CRCSCAN will restart the ongoing operation when the debugger accesses an internal register or when the debugger disconnects.

The BUSY bit in the Status (CRCSCAN.STATUS) register will read '1' if the CRCSCAN was busy when the debugger caused it to disable, but it will not actively check any section as long as the debugger keeps it disabled. There are synchronized CRC status bits in the debugger's internal register space, which can be read by the debugger without disabling the CRCSCAN. Reading the debugger's internal CRC status bits will make sure that the CRCSCAN is enabled.

It is possible to write the CRCSCAN.STATUS register directly from the debugger:

- BUSY bit in CRCSCAN.STATUS:
  - Writing the BUSY bit to '0' will stop the ongoing CRC operation (so that the CRCSCAN does not restart its operation when the debugger allows it).
  - Writing the BUSY bit to '1' will make the CRC start a single check with the settings in the Control B (CRCSCAN.CTRLB) register, but not until the debugger allows it.

As long as the BUSY bit in CRCSCAN.STATUS is '1', CRCSCAN.CTRLB and the Non-Maskable Interrupt Enable (NMIEN) bit in the Control A (CRCSCAN.CTRLA) register cannot be altered.

- OK bit in CRCSCAN.STATUS:

- Writing the OK bit to '0' can trigger a Non-Maskable Interrupt (NMI) if the NMIEN bit in CRCSCAN.CTRLA is '1'. If an NMI has been triggered, no writes to the CRCSCAN are allowed.
- Writing the OK bit to '1' will make the OK bit read as '1' when the BUSY bit in CRCSCAN.STATUS is '0'.

Writes to CRCSCAN.CTRLA and CRCSCAN.CTRLB from the debugger are treated in the same way as writes from the CPU.

### 26.4 Register Summary - CRCSCAN

| Offset | Name                   | Bit Pos. | 7     | 6 | 5         | 4 | 3 | 2 | 1        | 0      |
|--------|------------------------|----------|-------|---|-----------|---|---|---|----------|--------|
| 0x00   | <a href="#">CTRLA</a>  | 7:0      | RESET |   |           |   |   |   | NMIEN    | ENABLE |
| 0x01   | <a href="#">CTRLB</a>  | 7:0      |       |   | MODE[1:0] |   |   |   | SRC[1:0] |        |
| 0x02   | <a href="#">STATUS</a> | 7:0      |       |   |           |   |   |   | OK       | BUSY   |

### 26.5 Register Description



## 26.5.1 Control A

**Name:** CTRLA  
**Offset:** 0x00  
**Reset:** 0x00  
**Property:** -

If an NMI has been triggered this register is not writable.

| Bit    | 7     | 6 | 5 | 4 | 3 | 2 | 1     | 0      |
|--------|-------|---|---|---|---|---|-------|--------|
|        | RESET |   |   |   |   |   | NMIEN | ENABLE |
| Access | R/W   |   |   |   |   |   | R/W   | R/W    |
| Reset  | 0     |   |   |   |   |   | 0     | 0      |

**Bit 7 – RESET** Reset CRCSCAN

Writing this bit to '1' resets the CRCSCAN peripheral. The CRCSCAN Control registers and Status register (CRCSCAN.CTRLA, CRCSCAN.CTRLB, CRCSCAN.STATUS) will be cleared one clock cycle after the RESET bit is written to '1'.

If NMIEN is '0', this bit is writable both when the CRCSCAN is busy (the BUSY bit in CRCSCAN.STATUS is '1') and not busy (the BUSY bit is '0'), and will take effect immediately.

If NMIEN is '1', this bit is only writable when the CRCSCAN is not busy (the BUSY bit in CRCSCAN.STATUS is '0'). The RESET bit is a strobe bit.

**Bit 1 – NMIEN** Enable NMI Trigger

When this bit is written to '1', any CRC failure will trigger an NMI.

This bit can only be cleared by a system Reset - it is not cleared by a write to the RESET bit.

This bit can only be written to '1' when the CRCSCAN is not busy (the BUSY bit in CRCSCAN.STATUS is '0').

**Bit 0 – ENABLE** Enable CRCSCAN

Writing this bit to '1' enables the CRCSCAN peripheral with the current settings. It will stay '1' even after a CRC check has completed, but writing it to '1' again will start a new check.

Writing the bit to '0' has no effect

The CRCSCAN can be configured to run a scan during the MCU start-up sequence to verify the Flash sections before letting the CPU start normal code execution (see the [26.3.1 Initialization](#) section). If this feature is enabled, the ENABLE bit will read as '1' when normal code execution starts.

To see whether the CRCSCAN peripheral is busy with an ongoing check, poll the BUSY bit in the Status register (CRCSCAN.STATUS).

### 26.5.2 Control B

**Name:** CTRLB  
**Offset:** 0x01  
**Reset:** 0x00  
**Property:** -

The CRCSCAN.CTRLB register contains the mode and source settings for the CRC. It is not writable when the CRC is busy, or when an NMI has been triggered.

|        |   |   |           |     |   |   |          |     |
|--------|---|---|-----------|-----|---|---|----------|-----|
| Bit    | 7 | 6 | 5         | 4   | 3 | 2 | 1        | 0   |
|        |   |   | MODE[1:0] |     |   |   | SRC[1:0] |     |
| Access |   |   | R/W       | R/W |   |   | R/W      | R/W |
| Reset  |   |   | 0         | 0   |   |   | 0        | 0   |

#### Bits 5:4 – MODE[1:0] CRC Flash Access Mode

The CRC can be enabled during internal Reset initialization to verify Flash sections before letting the CPU start (see the device data sheet fuse description). If the CRC is enabled during internal Reset initialization, the MODE bit field will read out non-zero when normal code execution starts. To ensure proper operation of the CRC under code execution, write the MODE bit to 0x0 again.

| Value | Name     | Description   |
|-------|----------|---|
| 0x0   | PRIORITY | The CRC module runs a single check with priority to Flash. The CPU is halted until the CRC completes. |
| other | -        | Reserved  |

#### Bits 1:0 – SRC[1:0] CRC Source

The SRC bit field selects which section of the Flash the CRC module will check. To set up section sizes, refer to the fuse description.

The CRC can be enabled during internal Reset initialization to verify Flash sections before letting the CPU start (see the *Fuses* chapter). If the CRC is enabled during internal Reset initialization, the SRC bit field will read out as FLASH, BOOTAPP, or BOOT when normal code execution starts (depending on the configuration).

| Value | Name    | Description   |
|-------|---------|---|
| 0x0   | FLASH   | The CRC is performed on the entire Flash (boot, application code, and application data sections). |
| 0x1   | BOOTAPP | The CRC is performed on the boot and application code sections of Flash.                          |
| 0x2   | BOOT    | The CRC is performed on the boot section of Flash.  |
| 0x3   | -       | Reserved.   |

26.5.3 Status

Name: STATUS
Offset: 0x02
Reset: 0x02
Property: -

Bit 7 6 5 4 3 2 1 0
Access R R
Reset 1 0

Bit 1 - OK CRC OK
When this bit is read as '1', the previous CRC completed successfully. The bit is set to '1' by default before a CRC scan is run. The bit is not valid unless BUSY is '0'.

Bit 0 - BUSY CRC Busy
When this bit is read as '1', the CRCSCAN is busy. As long as the module is busy, the access to the control registers is limited.

## 27. CCL - Configurable Custom Logic

### 27.1 Features

- Glue Logic for General Purpose PCB Design
- 4 Programmable Look-Up Tables (LUTs)
- Combinatorial Logic Functions: Any Logic Expression which is a Function of up to Three Inputs.
- Sequencer Logic Functions:
  - Gated D flip-flop
  - JK flip-flop
  - Gated D latch
  - RS latch
- Flexible LUT Input Selection:
  - I/Os
  - Events
  - Subsequent LUT output
  - Internal peripherals such as:
    - Analog comparator
    - Timers/Counters
    - USART
    - SPI
- Clocked by a System Clock or other Peripherals
- Output can be Connected to I/O Pins or an Event System
- Optional Synchronizer, Filter, or Edge Detector Available on Each LUT Output
- Optional Interrupt Generation from Each LUT Output:
  - Rising edge
  - Falling edge
  - Both edges

### 27.2 Overview

The Configurable Custom Logic (CCL) is a programmable logic peripheral which can be connected to the device pins, to events, or to other internal peripherals. The CCL can serve as 'glue logic' between the device peripherals and external devices. The CCL can eliminate the need for external logic components, and can also help the designer to overcome real-time constraints by combining Core Independent Peripherals (CIPs) to handle the most time-critical parts of the application independent of the CPU.

The CCL peripheral provides a number of Look-up Tables (LUTs). Each LUT consists of three inputs, a truth table, a synchronizer/filter, and an edge detector. Each LUT can generate an output as a user programmable logic expression with three inputs. The output is generated from the inputs using the combinatorial logic and can be filtered to remove spikes. The CCL can be configured to generate an interrupt request on changes in the LUT outputs.

Neighboring LUTs can be combined to perform specific operations. A sequencer can be used for generating complex waveforms.

### 27.2.1 Block Diagram

Figure 27-1. Configurable Custom Logic

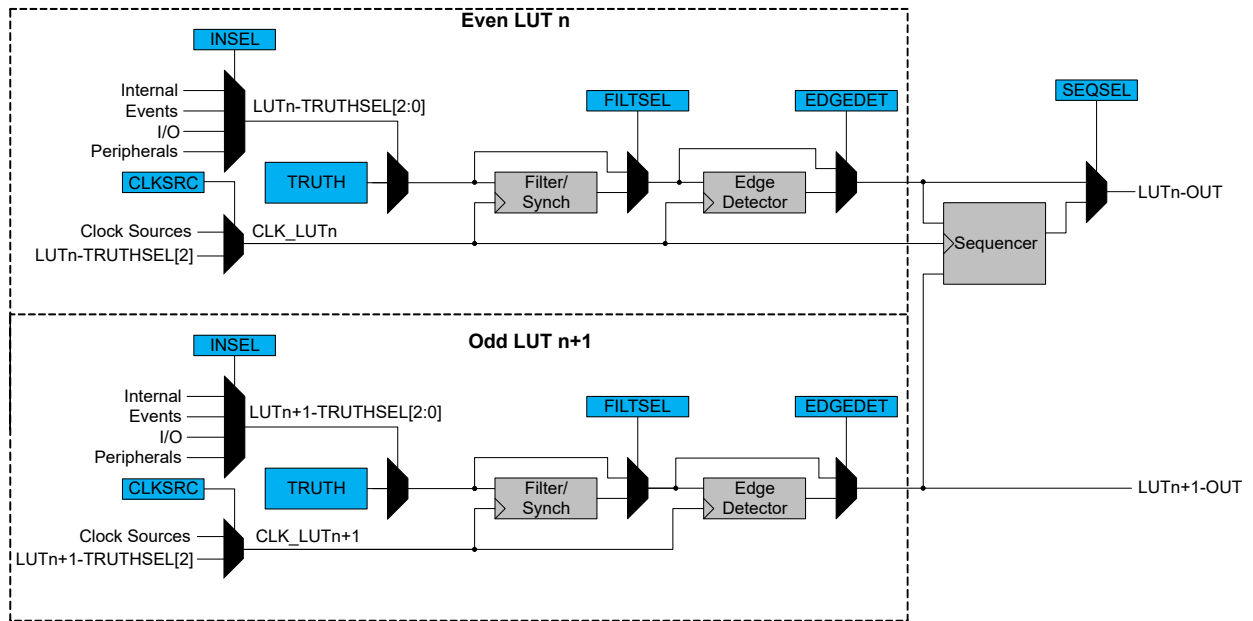


Table 27-2. Sequencer and LUT Connection

| Sequencer | Even and Odd LUT |
|-----------|------------------|
| SEQ0      | LUT0 and LUT1    |
| SEQ1      | LUT2 and LUT3    |

### 27.2.2 Signal Description

| Name         | Type           | Description   |
|--------------|----------------|---|
| LUTn-OUT     | Digital output | Output from the look-up table                                 |
| LUTn-IN[2:0] | Digital input  | Input to the look-up table. LUTn-IN[2] can serve as CLK_LUTn. |

Refer to *I/O Multiplexing and Considerations* for details on the pin mapping for this peripheral. One signal can be mapped to several pins.

#### 27.2.2.1 CCL Input Selection MUX

The following peripherals outputs are available as inputs into the CCL LUT.

| Value | Input Source | INSEL0 | INSEL1               | INSEL2 |
|-------|--------------|--------|----------------------|--------|
| 0x00  | MASK         |        | None                 |        |
| 0x01  | FEEDBACK     |        | LUTn                 |        |
| 0x02  | LINK         |        | LUT(n+1)             |        |
| 0x03  | EVENTA       |        | Event input source A |        |
| 0x04  | EVENTB       |        | Event input source B |        |
| 0x05  | IO           | IN0    | IN1                  | IN2    |
| 0x06  | AC           |        | AC0 OUT              |        |
| 0x07  | -            |        |                      |        |

| .....continued |              |            |            |            |
|----------------|--------------|------------|------------|------------|
| Value          | Input Source | INSEL0     | INSEL1     | INSEL2     |
| 0x08           | USART        | USART0 TXD | USART1 TXD | USART2 TXD |
| 0x09           | SPI          | SPI0 MOSI  | SPI0 MOSI  | SPI0 SCK   |
| 0x0A           | TCA0         | WO0        | WO1        | WO2        |
| 0x0B           | -            |            |            |            |
| 0x0C           | TCB          | TCB0 WO    | TCB1 WO    | TCB2 WO    |
| Other          | -            |            |            |            |

**Notes:**

- SPI connections to the CCL work only in Host SPI mode
- USART connections to the CCL work only in asynchronous/synchronous USART Host mode

## 27.3 Functional Description

### 27.3.1 Operation

#### 27.3.1.1 Enable-Protected Configuration

The configuration of the LUTs and sequencers is enable-protected, meaning that they can only be configured when the corresponding even LUT is disabled (ENABLE='0' in the LUT n Control A (CCL.LUTnCTRLA) register). This is a mechanism to suppress the undesired output from the CCL under (re-)configuration.

The following bits and registers are enable-protected:

- Sequencer Selection (SEQSEL) in the Sequencer Control n (CCL.SEQCTRLn) register
- LUT n Control x (CCL.LUTnCTRLx) registers, except the ENABLE bit in CCL.LUTnCTRLA

The enable-protected bits in the CCL.LUTnCTRLx registers can be written at the same time as ENABLE in CCL.LUTnCTRLA is written to '1', but not at the same time as ENABLE is written to '0'.

The enable protection is denoted by the enable-protected property in the register description.

#### 27.3.1.2 Enabling, Disabling, and Resetting

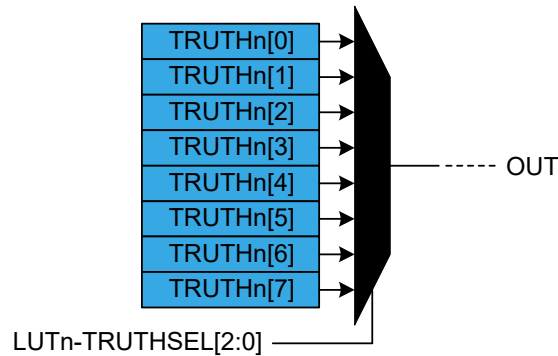
The CCL is enabled by writing a '1' to the ENABLE bit in the Control A (CCL.CTRLA) register. The CCL is disabled by writing a '0' to that ENABLE bit.

Each LUT is enabled by writing a '1' to the LUT Enable (ENABLE) bit in the LUT n Control A (CCL.LUTnCTRLA) register. Each LUT is disabled by writing a '0' to the ENABLE bit in CCL.LUTnCTRLA.

#### 27.3.1.3 Truth Table Logic

The truth table in each LUT unit can generate a combinational logic output as a function of up to three inputs (LUTn-TRUTHSEL[2:0]). It is possible to realize any 3-input boolean logic function using one LUT.

**Figure 27-2. Truth Table Output Value Selection of a LUT**



The truth table inputs (LUTn-TRUTHSEL[2:0]) are configured by writing the Input Source Selection bit fields in the LUT Control registers:

- INSEL0 in CCL.LUTnCTRLB
- INSEL1 in CCL.LUTnCTRLB
- INSEL2 in CCL.LUTnCTRLC

Each combination of the input bits (LUTn-TRUTHSEL[2:0]) corresponds to one bit in the CCL.TRUTHn register, as shown in the table below:

**Table 27-3. Truth Table of a LUT**

| LUTn-TRUTHSEL[2] | LUTn-TRUTHSEL[1] | LUTn-TRUTHSEL[0] | OUT       |
|------------------|------------------|------------------|-----------|
| 0                | 0                | 0                | TRUTHn[0] |
| 0                | 0                | 1                | TRUTHn[1] |
| 0                | 1                | 0                | TRUTHn[2] |
| 0                | 1                | 1                | TRUTHn[3] |
| 1                | 0                | 0                | TRUTHn[4] |
| 1                | 0                | 1                | TRUTHn[5] |
| 1                | 1                | 0                | TRUTHn[6] |
| 1                | 1                | 1                | TRUTHn[7] |



**Important:** Consider the unused inputs turned off (tied low) when logic functions are created.

**Example 27-1. LUT Output for CCL.TRUTHn = 0x42**

If CCL.TRUTHn is configured to 0x42, the LUT output will be 1 when the inputs are 'b001 or 'b110 and 0 for any other combination of inputs.

**27.3.1.4 Truth Table Inputs Selection**

**Input Overview**

The inputs can be individually:

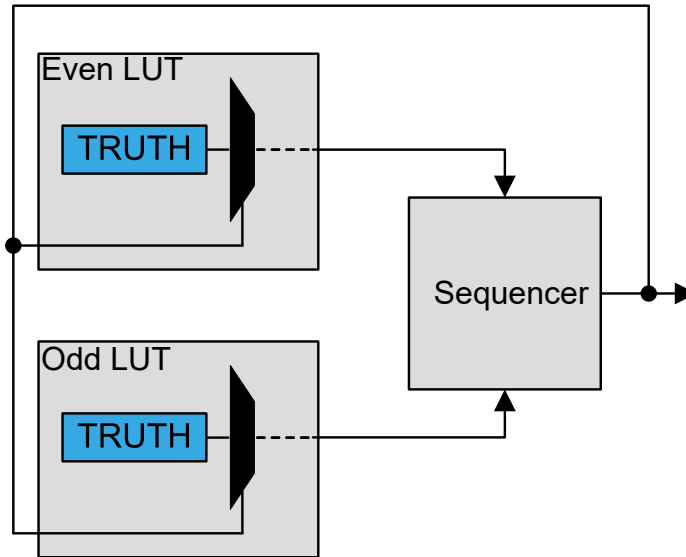
- OFF
- Driven by peripherals

- Driven by internal events from the Event System
- Driven by I/O pin inputs
- Driven by other LUTs

#### Internal Feedback Inputs (FEEDBACK)

The output from a sequencer can be used as an input source for the two LUTs it is connected to.

Figure 27-3. Feedback Input Selection



When selected (INSELy=FEEDBACK in LUTnCTRLx), the sequencer (SEQ) output is used as input for the corresponding LUTs.

#### Linked LUT (LINK)

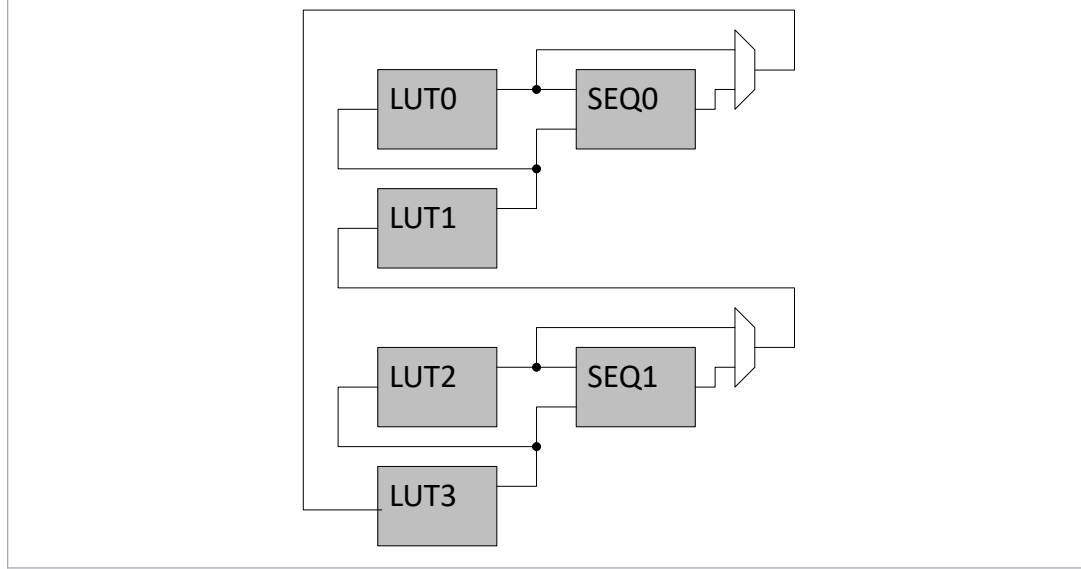
When selecting the LINK input option, the next LUT's direct output is used as LUT input. In general, LUT[n+1] is linked to the input of LUT[n]. LUT0 is linked to the input of the last LUT.

##### Example 27-2. Linking all LUTs on a Device with Four LUTs

- LUT1 is the input for LUT0
- LUT2 is the input for LUT1
- LUT3 is the input for LUT2
- LUT0 is the input for LUT3 (wrap-around)



**Figure 27-4. Linked LUT Input Selection**



**Event Input Selection (EVENTx)**

Events from the Event System can be used as inputs to the LUTs by writing to the INSELn bit groups in the LUT n Control B and C registers.

**I/O Pin Inputs (IO)**

When selecting the IO option, the LUT input will be connected to its corresponding I/O pin. Refer to the I/O Multiplexing section in the data sheet for more details about where the LUTn-INy pins are located.

**Peripherals**

The different peripherals on the three input lines of each LUT are selected by writing to the Input Select (INSEL) bits in the LUT Control (LUTnCTRLB and LUTnCTRLC) registers.

**27.3.1.5 Filter**

By default, the LUT output is a combinational function of the LUT inputs. This may cause some short glitches when the inputs change the value. These glitches can be removed by clocking through filters if demanded by application needs.

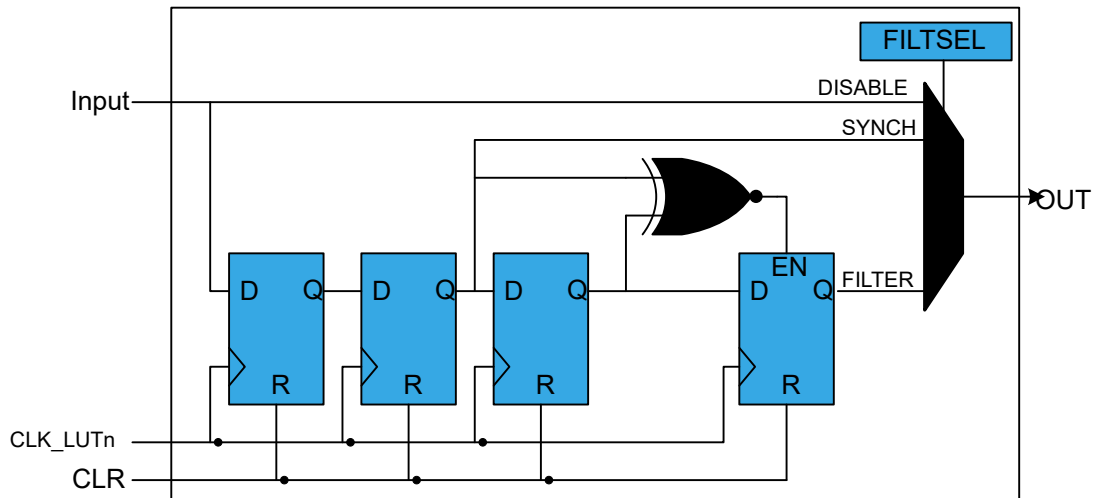
The Filter Selection (FILTSEL) bits in the LUT n Control A (CCL.LUTnCTRLA) registers define the digital filter options.

When FILTSEL=SYNCH, the output is synchronized with CLK\_LUTn. The output will be delayed by two positive CLK\_LUTn edges.

When FILTSEL=FILTER, only the input that is persistent for more than two positive CLK\_LUTn edges will pass through the gated flip-flop to the output. The output will be delayed by four positive CLK\_LUTn edges.

One clock cycle later, after the corresponding LUT is disabled, all internal filter logic is cleared.

Figure 27-5. Filter



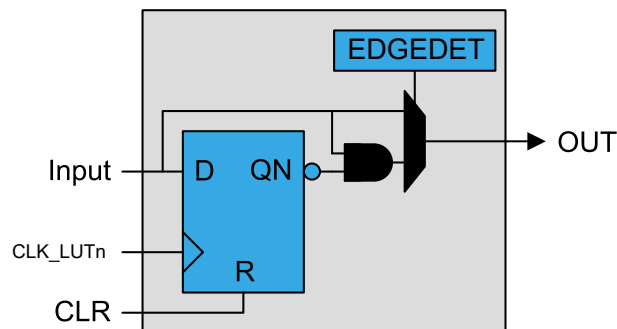
### 27.3.1.6 Edge Detector

The edge detector can be used to generate a pulse when detecting a rising edge on its input. To detect a falling edge, the TRUTH table can be programmed to provide an inverted output.

The edge detector is enabled by writing '1' to the Edge Detection (EDGEDET) bit in the LUTn Control A (CCL.LUTnCTRLA) register. To avoid unpredictable behavior, a valid filter option must be enabled.

The edge detection is disabled by writing a '0' to EDGEDET in CCL.LUTnCTRLA. After disabling a LUT, the corresponding internal edge detector logic is cleared one clock cycle later.

Figure 27-6. Edge Detector



### 27.3.1.7 Sequencer Logic

Each LUT pair can be connected to a sequencer. The sequencer can function as either D flip-flop, JK flip-flop, gated D latch, or RS latch. The function is selected by writing the Sequencer Selection (SEQSEL) bit group in the Sequencer Control (CCL.SEQCTRLn) register.

The sequencer receives its input from either the LUT, filter or edge detector, depending on the configuration.

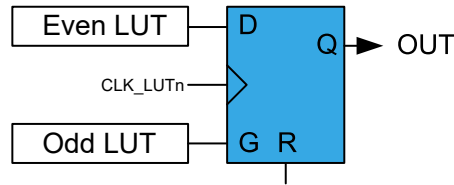
A sequencer is clocked by the same clock as the corresponding even LUT. The clock source is selected by the Clock Source (CLKSRC) bit group in the LUT n Control A (CCL.LUTnCTRLA) register.

The flip-flop output (OUT) is refreshed on the rising edge of the clock. When the even LUT is disabled, the latch is cleared asynchronously. The flip-flop Reset signal (R) is kept enabled for one clock cycle.

#### Gated D Flip-Flop (DFF)

The D input is driven by the even LUT output, and the G input is driven by the odd LUT output.

**Figure 27-7. D Flip-Flop**



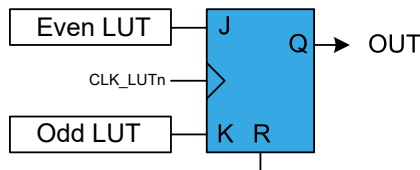
**Table 27-4. DFF Characteristics**

| R | G | D | OUT                    |
|---|---|---|------------------------|
| 1 | X | X | Clear                  |
| 0 | 1 | 1 | Set                    |
| 0 | 1 | 0 | Clear                  |
| 0 | 0 | X | Hold state (no change) |

**JK Flip-Flop (JK)**

The J input is driven by the even LUT output, and the K input is driven by the odd LUT output.

**Figure 27-8. JK Flip-Flop**



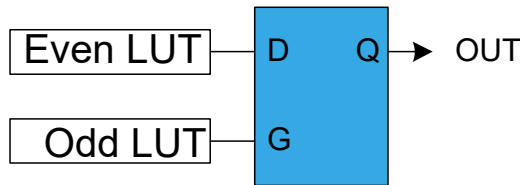
**Table 27-5. JK Characteristics**

| R | J | K | OUT                    |
|---|---|---|------------------------|
| 1 | X | X | Clear                  |
| 0 | 0 | 0 | Hold state (no change) |
| 0 | 0 | 1 | Clear                  |
| 0 | 1 | 0 | Set                    |
| 0 | 1 | 1 | Toggle                 |

**Gated D Latch (DLATCH)**

The D input is driven by the even LUT output, and the G input is driven by the odd LUT output.

**Figure 27-9. D Latch**



**Table 27-6. D Latch Characteristics**

| G | D | OUT                    |
|---|---|------------------------|
| 0 | X | Hold state (no change) |
| 1 | 0 | Clear                  |

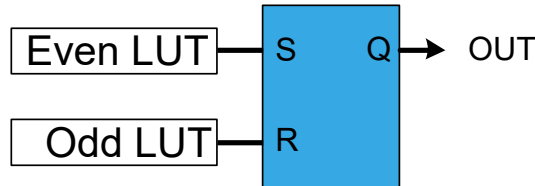
.....continued

| G | D | OUT |
|---|---|-----|
| 1 | 1 | Set |

**RS Latch (RS)**

The S input is driven by the even LUT output, and the R input is driven by the odd LUT output.

**Figure 27-10. RS Latch**



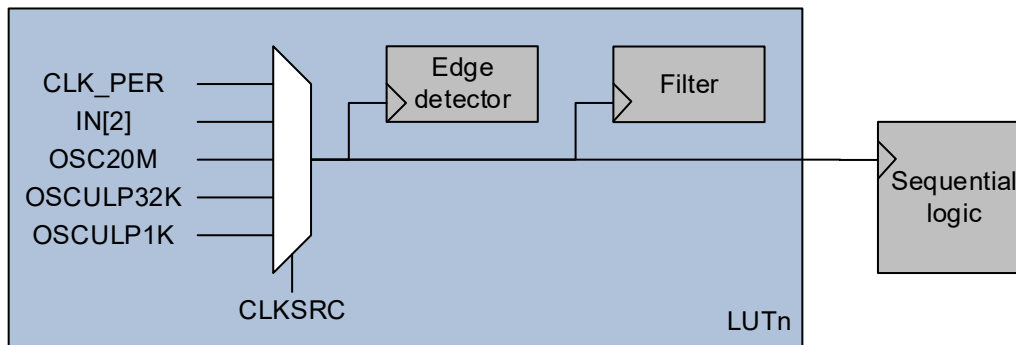
**Table 27-7. RS Latch Characteristics**

| S | R | OUT                    |
|---|---|------------------------|
| 0 | 0 | Hold state (no change) |
| 0 | 1 | Clear                  |
| 1 | 0 | Set                    |
| 1 | 1 | Forbidden state        |

**27.3.1.8 Clock Source Settings**

The filter, edge detector, and sequencer are, by default, clocked by the peripheral clock (CLK\_PER). It is also possible to use other clock inputs (CLK\_LUTn) to clock these blocks. This is configured by writing the Clock Source (CLKSRC) bits in the LUT Control A register.

**Figure 27-11. Clock Source Settings**



When the Clock Source (CLKSRC) bit is written to 0x1, LUTn-TRUTHSEL[2] is used to clock the corresponding filter and edge detector (CLK\_LUTn). The sequencer is clocked by the CLK\_LUTn of the even LUT in the pair. When CLKSRC is written to 0x1, LUTn-TRUTHSEL[2] is treated as OFF (low) in the TRUTH table.

The CCL peripheral must be disabled while changing the clock source to avoid undefined outputs from the peripheral.

**27.3.2 Interrupts**

**Table 27-8. Available Interrupt Vectors and Sources**

| Name | Vector Description | Conditions  |
|------|--------------------|---|
| CCL  | CCL interrupt      | INTn in INTFLAG is raised as configured by the INTMODEn bits in the CCL.INTCTRLn register |

When an interrupt condition occurs, the corresponding interrupt flag is set in the peripheral's Interrupt Flags (*peripheral.INTFLAGS*) register.

An interrupt source is enabled or disabled by writing to the corresponding enable bit in the peripheral's Interrupt Control (*peripheral.INTCTRL*) register.

An interrupt request is generated when the corresponding interrupt source is enabled, and the interrupt flag is set. The interrupt request remains active until the interrupt flag is cleared. See the peripheral's INTFLAGS register for details on how to clear interrupt flags.

When several interrupt request conditions are supported by an interrupt vector, the interrupt requests are ORed together into one combined interrupt request to the interrupt controller. The user must read the peripheral's INTFLAGS register to determine which of the interrupt conditions are present.

### 27.3.3 Events

The CCL can generate the events shown in the table below.

**Table 27-9. Event Generators in the CCL**

| Generator Name |       | Description      | Event Type | Generating Clock Domain | Length of Event                  |
|----------------|-------|------------------|------------|-------------------------|----------------------------------|
| Peripheral     | Event |                  |            |                         |                                  |
| CCL            | LUTn  | LUT output level | Level      | Asynchronous            | Depends on the CCL configuration |

The CCL has the event users below for detecting and acting upon input events.

**Table 27-10. Event Users in the CCL**

| User Name  |       | Description                  | Input Detection | Async/Sync |
|------------|-------|------------------------------|-----------------|------------|
| Peripheral | Input |                              |                 |            |
| CCL        | LUTnx | LUTn input x or clock signal | No detection    | Async      |

The event signals are passed directly to the LUTs without synchronization or input detection logic.

Two event users are available for each LUT. They can be selected as LUTn inputs by writing to the INSELn bit groups in the LUT n Control B and Control C (CCL.LUTnCTRLB or LUTnCTRLC) registers.

Refer to the Event System (EVSYS) section for more details regarding the event types and the EVSYS configuration.

### 27.3.4 Sleep Mode Operation

Writing the Run In Standby (RUNSTDBY) bit in the Control A (CCL.CTRLA) register to '1' will allow the selected clock source to be enabled in Standby sleep mode.

If RUNSTDBY is '0', the peripheral clock will be disabled in Standby sleep mode. If the filter, edge detector, and/or sequencer are enabled, the LUT output will be forced to '0' in Standby sleep mode. In Idle sleep mode, the TRUTH table decoder will continue the operation, and the LUT output will be refreshed accordingly, regardless of the RUNSTDBY bit.

If the Clock Source (CLKSRC) bit in the LUT n Control A (CCL.LUTnCTRLA) register is written to '1', the LUTn-TRUTHSEL[2] will always clock the filter, edge detector, and sequencer. The availability of the LUTn-TRUTHSEL[2] clock in sleep modes will depend on the sleep settings of the peripheral used.

## 27.4 Register Summary

| Offset | Name                      | Bit Pos. | 7             | 6        | 5             | 4 | 3             | 2            | 1             | 0      |  |
|--------|---------------------------|----------|---------------|----------|---------------|---|---------------|--------------|---------------|--------|--|
| 0x00   | <a href="#">CTRLA</a>     | 7:0      |               | RUNSTDBY |               |   |               |              |               | ENABLE |  |
| 0x01   | <a href="#">SEQCTRL0</a>  | 7:0      |               |          |               |   |               | SEQSEL0[3:0] |               |        |  |
| 0x02   | <a href="#">SEQCTRL1</a>  | 7:0      |               |          |               |   |               | SEQSEL1[3:0] |               |        |  |
| 0x03   | Reserved                  |          |               |          |               |   |               |              |               |        |  |
| 0x04   |                           |          |               |          |               |   |               |              |               |        |  |
| 0x05   | <a href="#">INTCTRL0</a>  | 7:0      | INTMODE3[1:0] |          | INTMODE2[1:0] |   | INTMODE1[1:0] |              | INTMODE0[1:0] |        |  |
| 0x06   | Reserved                  |          |               |          |               |   |               |              |               |        |  |
| 0x07   | <a href="#">INTFLAGS</a>  | 7:0      |               |          |               |   | INT3          | INT2         | INT1          | INT0   |  |
| 0x08   | <a href="#">LUT0CTRLA</a> | 7:0      | EDGEDET       | OUTEN    | FILTSEL[1:0]  |   | CLKSRC[2:0]   |              | ENABLE        |        |  |
| 0x09   | <a href="#">LUT0CTRLB</a> | 7:0      | INSEL1[3:0]   |          |               |   | INSEL0[3:0]   |              |               |        |  |
| 0x0A   | <a href="#">LUT0CTRLC</a> | 7:0      |               |          |               |   | INSEL2[3:0]   |              |               |        |  |
| 0x0B   | <a href="#">TRUTH0</a>    | 7:0      | TRUTH0[7:0]   |          |               |   |               |              |               |        |  |
| 0x0C   | <a href="#">LUT1CTRLA</a> | 7:0      | EDGEDET       | OUTEN    | FILTSEL[1:0]  |   | CLKSRC[2:0]   |              | ENABLE        |        |  |
| 0x0D   | <a href="#">LUT1CTRLB</a> | 7:0      | INSEL1[3:0]   |          |               |   | INSEL0[3:0]   |              |               |        |  |
| 0x0E   | <a href="#">LUT1CTRLC</a> | 7:0      |               |          |               |   | INSEL2[3:0]   |              |               |        |  |
| 0x0F   | <a href="#">TRUTH1</a>    | 7:0      | TRUTH1[7:0]   |          |               |   |               |              |               |        |  |
| 0x10   | <a href="#">LUT2CTRLA</a> | 7:0      | EDGEDET       | OUTEN    | FILTSEL[1:0]  |   | CLKSRC[2:0]   |              | ENABLE        |        |  |
| 0x11   | <a href="#">LUT2CTRLB</a> | 7:0      | INSEL1[3:0]   |          |               |   | INSEL0[3:0]   |              |               |        |  |
| 0x12   | <a href="#">LUT2CTRLC</a> | 7:0      |               |          |               |   | INSEL2[3:0]   |              |               |        |  |
| 0x13   | <a href="#">TRUTH2</a>    | 7:0      | TRUTH2[7:0]   |          |               |   |               |              |               |        |  |
| 0x14   | <a href="#">LUT3CTRLA</a> | 7:0      | EDGEDET       | OUTEN    | FILTSEL[1:0]  |   | CLKSRC[2:0]   |              | ENABLE        |        |  |
| 0x15   | <a href="#">LUT3CTRLB</a> | 7:0      | INSEL1[3:0]   |          |               |   | INSEL0[3:0]   |              |               |        |  |
| 0x16   | <a href="#">LUT3CTRLC</a> | 7:0      |               |          |               |   | INSEL2[3:0]   |              |               |        |  |
| 0x17   | <a href="#">TRUTH3</a>    | 7:0      | TRUTH3[7:0]   |          |               |   |               |              |               |        |  |

## 27.5 Register Description

**27.5.1 Control A**

**Name:** CTRLA  
**Offset:** 0x00  
**Reset:** 0x00  
**Property:** -

|        |     |   |          |   |   |   |   |   |        |
|--------|-----|---|----------|---|---|---|---|---|--------|
|        | Bit | 7 | 6        | 5 | 4 | 3 | 2 | 1 | 0      |
|        |     |   | RUNSTDBY |   |   |   |   |   | ENABLE |
| Access |     |   | R/W      |   |   |   |   |   | R/W    |
| Reset  |     |   | 0        |   |   |   |   |   | 0      |

**Bit 6 – RUNSTDBY** Run in Standby

Writing this bit to '1' will enable the peripheral to run in Standby sleep mode.

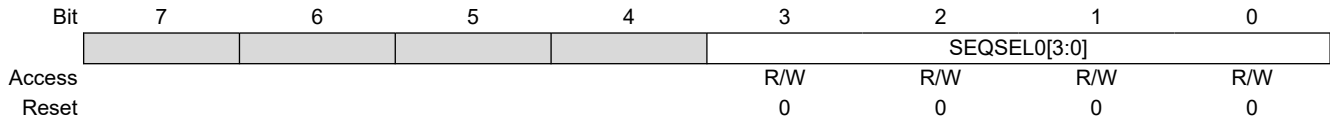
| Value | Description                                |
|-------|--|
| 0     | The CCL will not run in Standby sleep mode |
| 1     | The CCL will run in Standby sleep mode     |

**Bit 0 – ENABLE** Enable

| Value | Description                |
|-------|----------------------------|
| 0     | The peripheral is disabled |
| 1     | The peripheral is enabled  |

**27.5.2 Sequencer Control 0**

**Name:** SEQCTRL0  
**Offset:** 0x01  
**Reset:** 0x00  
**Property:** Enable-Protected



**Bits 3:0 – SEQSEL0[3:0] Sequencer Selection**

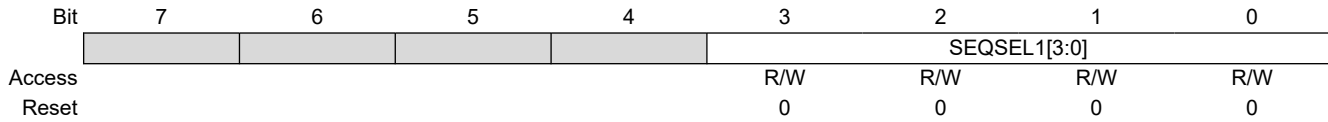
This bit group selects the sequencer configuration for LUT0 and LUT1.

| Value | Name    | Description               |
|-------|---------|---------------------------|
| 0x0   | DISABLE | The sequencer is disabled |
| 0x1   | DFF     | D flip-flop               |
| 0x2   | JK      | JK flip-flop              |
| 0x3   | LATCH   | D latch                   |
| 0x4   | RS      | RS latch                  |
| Other | -       | Reserved                  |



### 27.5.3 Sequencer Control 1

**Name:** SEQCTRL1  
**Offset:** 0x02  
**Reset:** 0x00  
**Property:** Enable-Protected



**Bits 3:0 – SEQSEL1[3:0]** Sequencer Selection

This bit group selects the sequencer configuration for LUT2 and LUT3.

| Value | Name    | Description               |
|-------|---------|---------------------------|
| 0x0   | DISABLE | The sequencer is disabled |
| 0x1   | DFF     | D flip-flop               |
| 0x2   | JK      | JK flip-flop              |
| 0x3   | LATCH   | D latch                   |
| 0x4   | RS      | RS latch                  |
| Other | -       | Reserved                  |

### 27.5.4 Interrupt Control 0

**Name:** INTCTRL0  
**Offset:** 0x05  
**Reset:** 0x00  
**Property:** -

|        |               |     |               |     |               |     |               |     |
|--------|---------------|-----|---------------|-----|---------------|-----|---------------|-----|
| Bit    | 7             | 6   | 5             | 4   | 3             | 2   | 1             | 0   |
|        | INTMODE3[1:0] |     | INTMODE2[1:0] |     | INTMODE1[1:0] |     | INTMODE0[1:0] |     |
| Access | R/W           | R/W | R/W           | R/W | R/W           | R/W | R/W           | R/W |
| Reset  | 0             | 0   | 0             | 0   | 0             | 0   | 0             | 0   |

#### Bits 0:1, 2:3, 4:5, 6:7 – INTMODE

The bits in INTMODEn select the interrupt sense configuration for LUTn-OUT.

| Value | Name       | Description        |
|-------|------------|--------------------|
| 0x0   | INTDISABLE | Interrupt disabled |
| 0x1   | RISING     | Sense rising edge  |
| 0x2   | FALLING    | Sense falling edge |
| 0x3   | BOTH       | Sense both edges   |

**27.5.5 Interrupt Flag**

**Name:** INTFLAGS  
**Offset:** 0x07  
**Reset:** 0x00  
**Property:** -

|        |   |   |   |   |      |      |      |      |
|--------|---|---|---|---|------|------|------|------|
|        | 7 | 6 | 5 | 4 | 3    | 2    | 1    | 0    |
| Bit    |   |   |   |   | INT3 | INT2 | INT1 | INT0 |
| Access |   |   |   |   | R/W  | R/W  | R/W  | R/W  |
| Reset  |   |   |   |   | 0    | 0    | 0    | 0    |

**Bits 0, 1, 2, 3 – INT Interrupt Flag**

The INTn flag is set when the LUTn output change matches the Interrupt Sense mode as defined in CCL.INTCTRLn. Writing a '1' to this flag's bit location will clear the flag.

### 27.5.6 LUT n Control A

**Name:** LUTnCTRLA  
**Offset:** 0x08 + n\*0x04 [n=0..3]  
**Reset:** 0x00  
**Property:** Enable-Protected

| Bit    | 7       | 6     | 5            | 4   | 3           | 2   | 1   | 0      |
|--------|---------|-------|--------------|-----|-------------|-----|-----|--------|
|        | EDGEDET | OUTEN | FILTSEL[1:0] |     | CLKSRC[2:0] |     |     | ENABLE |
| Access | R/W     | R/W   | R/W          | R/W | R/W         | R/W | R/W | R/W    |
| Reset  | 0       | 0     | 0            | 0   | 0           | 0   | 0   | 0      |

#### Bit 7 – EDGEDET Edge Detection

| Value | Description               |
|-------|---------------------------|
| 0     | Edge detector is disabled |
| 1     | Edge detector is enabled  |

#### Bit 6 – OUTEN Output Enable

This bit enables the LUT output to the LUTn OUT pin. When written to '1', the pin configuration of the PORT I/O-Controller is overridden.

| Value | Description            |
|-------|------------------------|
| 0     | Output to pin disabled |
| 1     | Output to pin enabled  |

#### Bits 5:4 – FILTSEL[1:0] Filter Selection

These bits select the LUT output filter options.

| Value | Name    | Description          |
|-------|---------|----------------------|
| 0x0   | DISABLE | Filter disabled      |
| 0x1   | SYNCH   | Synchronizer enabled |
| 0x2   | FILTER  | Filter enabled       |
| 0x3   | -       | Reserved             |

#### Bits 3:1 – CLKSRC[2:0] Clock Source Selection

This bit selects between various clock sources to be used as the clock (CLK\_LUTn) for a LUT. The CLK\_LUTn of the even LUT is used for clocking the sequencer of a LUT pair.

| Value | Name      | Description   |
|-------|-----------|---|
| 0x0   | CLKPER    | CLK_PER is clocking the LUT                               |
| 0x1   | IN2       | LUT input 2 is clocking the LUT                           |
| 0x2   | -         | Reserved  |
| 0x3   | -         | Reserved  |
| 0x4   | OSC20M    | 16/20 MHz oscillator before prescaler is clocking the LUT |
| 0x5   | OSKULP32K | 32.768 kHz internal oscillator is clocking the LUT        |
| 0x6   | OSKULP1K  | 1.024 kHz (OSKULP32K after DIV32) is clocking the LUT     |
| 0x7   | -         | Reserved  |

#### Bit 0 – ENABLE LUT Enable

| Value | Description         |
|-------|---------------------|
| 0     | The LUT is disabled |
| 1     | The LUT is enabled  |

### 27.5.7 LUT n Control B

**Name:** LUTnCTRLB  
**Offset:** 0x09 + n\*0x04 [n=0..3]  
**Reset:** 0x00  
**Property:** Enable-Protected

**Notes:**

1. SPI connections to the CCL work in Host SPI mode only.
2. USART connections to the CCL work only when the USART is in one of the following modes:
  - Asynchronous USART
  - Synchronous USART host

|        |             |     |     |     |             |     |     |     |
|--------|-------------|-----|-----|-----|-------------|-----|-----|-----|
|        | 7           | 6   | 5   | 4   | 3           | 2   | 1   | 0   |
|        | INSEL1[3:0] |     |     |     | INSEL0[3:0] |     |     |     |
| Access | R/W         | R/W | R/W | R/W | R/W         | R/W | R/W | R/W |
| Reset  | 0           | 0   | 0   | 0   | 0           | 0   | 0   | 0   |

**Bits 7:4 – INSEL1[3:0] LUT n Input 1 Source Selection**

These bits select the source for input 1 of LUT n.

| Value | Name     | Description          |
|-------|----------|----------------------|
| 0x0   | MASK     | None (masked)        |
| 0x1   | FEEDBACK | Feedback input       |
| 0x2   | LINK     | Output from LUTn+1   |
| 0x3   | EVENTA   | Event input source A |
| 0x4   | EVENTB   | Event input source B |
| 0x5   | IO       | I/O-pin LUTn-IN1     |
| 0x6   | AC0      | AC0 out              |
| 0x7   | -        | Reserved             |
| 0x8   | USART1   | USART1 TXD           |
| 0x9   | SPI0     | SPI0 MOSI            |
| 0xA   | TCA0     | TCA0 WO1             |
| 0xB   | -        | Reserved             |
| 0xC   | TCB1     | TCB1 WO              |
| Other | -        | Reserved             |

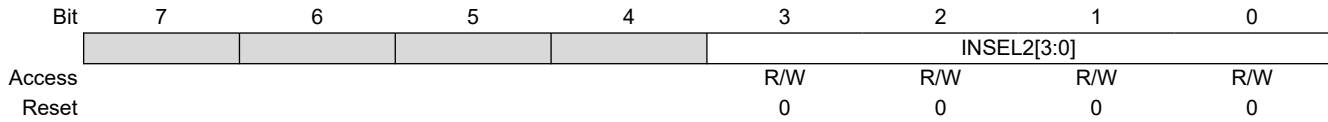
**Bits 3:0 – INSEL0[3:0] LUT n Input 0 Source Selection**

These bits select the source for input 0 of LUT n.

| Value | Name     | Description          |
|-------|----------|----------------------|
| 0x0   | MASK     | None (masked)        |
| 0x1   | FEEDBACK | Feedback input       |
| 0x2   | LINK     | Output from LUTn+1   |
| 0x3   | EVENTA   | Event input source A |
| 0x4   | EVENTB   | Event input source B |
| 0x5   | IO       | I/O-pin LUTn-IN0     |
| 0x6   | AC0      | AC0 out              |
| 0x7   | -        | Reserved             |
| 0x8   | USART0   | USART0 TXD           |
| 0x9   | SPI0     | SPI0 MOSI            |
| 0xA   | TCA0     | TCA0 WO0             |
| 0xB   | -        | Reserved             |
| 0xC   | TCB0     | TCB0 WO              |
| Other | -        | Reserved             |

### 27.5.8 LUT n Control C

**Name:** LUTnCTRLC  
**Offset:** 0x0A + n\*0x04 [n=0..3]  
**Reset:** 0x00  
**Property:** Enable-Protected



**Bits 3:0 – INSEL2[3:0]** LUT n Input 2 Source Selection  
 These bits select the source for input 2 of LUT n.

| Value | Name     | Description          |
|-------|----------|----------------------|
| 0x0   | MASK     | None (masked)        |
| 0x1   | FEEDBACK | Feedback input       |
| 0x2   | LINK     | Output from LUTn+1   |
| 0x3   | EVENTA   | Event input source A |
| 0x4   | EVENTB   | Event input source B |
| 0x5   | IO       | I/O-pin LUTn-IN2     |
| 0x6   | AC0      | AC0 out              |
| 0x7   | -        | Reserved             |
| 0x8   | USART2   | USART2 TXD           |
| 0x9   | SPI0     | SPI0 SCK             |
| 0xA   | TCA0     | TCA0 WO2             |
| 0xB   | -        | Reserved             |
| 0xC   | TCB2     | TCB2 WO              |
| Other | -        | Reserved             |

### 27.5.9 TRUTHn

**Name:** TRUTHn  
**Offset:** 0x0B + n\*0x04 [n=0..3]  
**Reset:** 0x00  
**Property:** Enable-Protected

|        |             |     |     |     |     |     |     |     |
|--------|-------------|-----|-----|-----|-----|-----|-----|-----|
|        | 7           | 6   | 5   | 4   | 3   | 2   | 1   | 0   |
|        | TRUTHn[7:0] |     |     |     |     |     |     |     |
| Access | R/W         | R/W | R/W | R/W | R/W | R/W | R/W | R/W |
| Reset  | 0           | 0   | 0   | 0   | 0   | 0   | 0   | 0   |

#### Bits 7:0 – TRUTHn[7:0] Truth Table

These bits determine the output of LUTn according to the LUTn-TRUTHSEL[2:0] inputs.

| Bit Name  | Value | Description                                       |
|-----------|-------|---|
| TRUTHn[0] | 0     | The output of LUTn is 0 when the inputs are 'b000 |
|           | 1     | The output of LUTn is 1 when the inputs are 'b000 |
| TRUTHn[1] | 0     | The output of LUTn is 0 when the inputs are 'b001 |
|           | 1     | The output of LUTn is 1 when the inputs are 'b001 |
| TRUTHn[2] | 0     | The output of LUTn is 0 when the inputs are 'b010 |
|           | 1     | The output of LUTn is 1 when the inputs are 'b010 |
| TRUTHn[3] | 0     | The output of LUTn is 0 when the inputs are 'b011 |
|           | 1     | The output of LUTn is 1 when the inputs are 'b011 |
| TRUTHn[4] | 0     | The output of LUTn is 0 when the inputs are 'b100 |
|           | 1     | The output of LUTn is 1 when the inputs are 'b100 |
| TRUTHn[5] | 0     | The output of LUTn is 0 when the inputs are 'b101 |
|           | 1     | The output of LUTn is 1 when the inputs are 'b101 |
| TRUTHn[6] | 0     | The output of LUTn is 0 when the inputs are 'b110 |
|           | 1     | The output of LUTn is 1 when the inputs are 'b110 |
| TRUTHn[7] | 0     | The output of LUTn is 0 when the inputs are 'b111 |
|           | 1     | The output of LUTn is 1 when the inputs are 'b111 |

## 28. AC - Analog Comparator

### 28.1 Features

- Selectable Response Time
- Selectable Hysteresis
- Analog Comparator Output Available on Pin
- Comparator Output Inversion Available
- Flexible Input Selection:
  - Four Positive pins
  - Three Negative pins
  - Internal reference voltage generator (DACREF)
- Interrupt Generation on:
  - Rising edge
  - Falling edge
  - Both edges
- Event Generation on:
  - Comparator output

### 28.2 Overview

The analog comparator (AC) compares the voltage levels on two inputs and gives a digital output based on this comparison. The AC can be configured to generate interrupt requests and/or events upon several different combinations of input change.

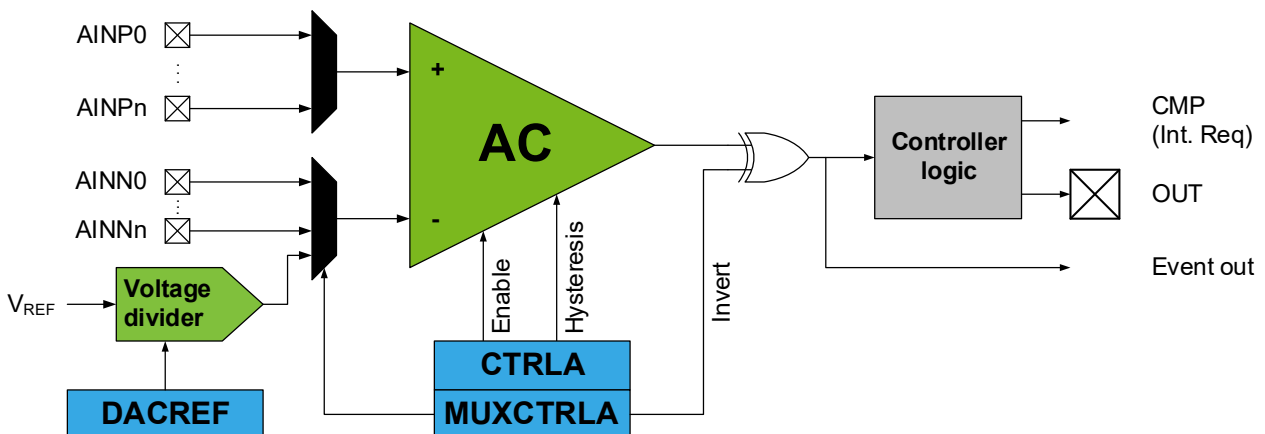
The dynamic behavior of the AC can be adjusted by a hysteresis feature. The hysteresis can be customized to optimize the operation for each application.

The input selection includes analog port pins and internally generated inputs. The analog comparator output state can also be the output on a pin for use by external devices.

An AC has one positive input and one negative input. The digital output from the comparator is '1' when the difference between the positive and the negative input voltage is positive, and '0' otherwise.

#### 28.2.1 Block Diagram

Figure 28-1. Analog Comparator





### 28.2.2 Signal Description

| Signal | Description              | Type    |
|--------|--------------------------|---------|
| AINNn  | Negative Input n         | Analog  |
| AINPn  | Positive Input n         | Analog  |
| OUT    | Comparator Output for AC | Digital |

## 28.3 Functional Description

### 28.3.1 Initialization

For a basic operation, follow these steps:

- Configure the desired input pins in the port peripheral
- Select the positive and negative input sources by writing the Positive and Negative Input MUX Selection (MUXPOS and MUXNEG) bit fields in the MUX Control A (ACn.MUXCTRLA) register
- Optional: Enable the output to pin by writing a '1' to the Output Pad Enable (OUTEN) bit in the Control A (ACn.CTRLA) register
- Enable the AC by writing a '1' to the ENABLE bit in ACn.CTRLA

During the start-up time after enabling the AC, the output of the AC may be invalid.

The start-up time of the AC by itself is at most 2.5  $\mu$ s. If an internal reference is used, the reference start-up time is normally longer than the AC start-up time.

To avoid the pin being tri-stated when the AC is disabled, the OUT pin must be configured as output in PORTx.DIR.

### 28.3.2 Operation

#### 28.3.2.1 Input Hysteresis

Applying an input hysteresis helps to prevent constant toggling of the output when the noise-afflicted input signals are close to each other.

The input hysteresis can either be disabled or have one of three levels. The hysteresis is configured by writing to the Hysteresis Mode Select (HYSMODE) bit field in the Control A (ACn.CTRLA) register.

#### 28.3.2.2 Input Sources

An AC has one positive and one negative input. The inputs can be pins and internal sources, such as a voltage reference.

Each input is selected by writing to the Positive and Negative Input MUX Selection (MUXPOS and MUXNEG) bit field in the MUX Control A (ACn.MUXCTRLA) register.

##### 28.3.2.2.1 Pin Inputs

The following analog input pins on the port can be selected as input to the analog comparator:

- AINN0
- AINN1
- AINN2
- AINP0
- AINP1
- AINP2
- AINP3

##### 28.3.2.2.2 Internal Inputs

The AC has the following internal inputs:

- Internal reference voltage generator (DACREF)

### 28.3.2.3 Power Modes

For power sensitive applications, the AC provides a low-power mode with lower power consumption and increased propagation delay. The low-power mode is selected by writing the Low Power Mode (LPMODE) bit in the Control A (ACn.CTRLA) register to '1'.

### 28.3.2.4 Signal Compare and Interrupt

After the successful initialization of the AC and after configuring the desired properties, the result of the comparison is continuously updated and is available for the application software, for the Event System, or on a pin.

The AC can generate a comparator interrupt, COMP, and can request this interrupt on either rising, falling, or both edges of the toggling comparator output. This is configured by writing to the Interrupt Modes (INTMODE) bit field in the Control A (ACn.CTRLA) register.

The interrupt is enabled by writing a '1' to the Analog Comparator Interrupt Enable (COMP) bit in the Interrupt Control (ACn.INTCTRL) register.

### 28.3.3 Events

The AC can generate the events described in the table below.

**Table 28-1. Event Generators in AC**

| Generator Name |       | Description             | Event Type | Generating Clock Domain | Length of Event          |
|----------------|-------|-------------------------|------------|-------------------------|--------------------------|
| Peripheral     | Event |                         |            |                         |                          |
| ACn            | OUT   | Comparator output level | Level      | Asynchronous            | Given by AC output level |

The AC has no event inputs.

### 28.3.4 Interrupts

**Table 28-2. Available Interrupt Vectors and Sources**

| Name | Vector Description          | Conditions  |
|------|-----------------------------|---|
| COMP | Analog comparator interrupt | AC output is toggling as configured by INTMODE in ACn.CTRLA |

When an interrupt condition occurs, the corresponding Interrupt flag is set in the Status (ACn.STATUS) register.

An interrupt source is enabled or disabled by writing to the corresponding bit in the peripheral's Interrupt Control (ACn.INTCTRL) register.

An interrupt request is generated when the corresponding interrupt source is enabled and the Interrupt flag is set. The interrupt request remains active until the Interrupt flag is cleared. See the ACn.STATUS register description for details on how to clear the Interrupt flags.

### 28.3.5 Sleep Mode Operation

In Idle sleep mode the AC will continue to operate as normal.

In Standby sleep mode the AC is disabled by default. If the Run in Standby (RUNSTDBY) bit in the Control A (ACn.CTRLA) register is written to '1', the AC will continue to operate as normal with event, interrupt and AC output on pad even if the CLK\_PER is not running in Standby sleep mode.

In Power-Down sleep mode the AC and the output to the pad are disabled.

## 28.4 Register Summary

| Offset | Name                     | Bit Pos. | 7           | 6     | 5            | 4           | 3      | 2            | 1 | 0      |
|--------|--------------------------|----------|-------------|-------|--------------|-------------|--------|--------------|---|--------|
| 0x00   | <a href="#">CTRLA</a>    | 7:0      | RUNSTDBY    | OUTEN | INTMODE[1:0] |             | LPMODE | HYSMODE[1:0] |   | ENABLE |
| 0x01   | Reserved                 |          |             |       |              |             |        |              |   |        |
| 0x02   | <a href="#">MUXCTRLA</a> | 7:0      | INVERT      |       |              | MUXPOS[1:0] |        | MUXNEG[1:0]  |   |        |
| 0x03   | Reserved                 |          |             |       |              |             |        |              |   |        |
| 0x04   | <a href="#">DACREF</a>   | 7:0      | DACREF[7:0] |       |              |             |        |              |   |        |
| 0x05   | Reserved                 |          |             |       |              |             |        |              |   |        |
| 0x06   | <a href="#">INTCTRL</a>  | 7:0      |             |       |              |             |        |              |   | CMP    |
| 0x07   | <a href="#">STATUS</a>   | 7:0      |             |       |              | STATE       |        |              |   | CMP    |

## 28.5 Register Description

## 28.5.1 Control A

**Name:** CTRLA  
**Offset:** 0x00  
**Reset:** 0x00  
**Property:** -

| Bit    | 7        | 6     | 5            | 4   | 3      | 2            | 1   | 0      |
|--------|----------|-------|--------------|-----|--------|--------------|-----|--------|
|        | RUNSTDBY | OUTEN | INTMODE[1:0] |     | LPMODE | HYSMODE[1:0] |     | ENABLE |
| Access | R/W      | R/W   | R/W          | R/W | R/W    | R/W          | R/W | R/W    |
| Reset  | 0        | 0     | 0            | 0   | 0      | 0            | 0   | 0      |

### Bit 7 – RUNSTDBY Run in Standby Mode

Writing a '1' to this bit allows the AC to continue operation in Standby sleep mode. Since the clock is stopped, interrupts and Status flags are not updated.

| Value | Description   |
|-------|---|
| 0     | In Standby sleep mode, the peripheral is halted           |
| 1     | In Standby sleep mode, the peripheral continues operation |

### Bit 6 – OUTEN Analog Comparator Output Pad Enable

Writing this bit to '1' makes the OUT signal available on the pin.

### Bits 5:4 – INTMODE[1:0] Interrupt Modes

Writing to these bits selects which edges of the AC output triggers an interrupt request.

| Value | Name     | Description                     |
|-------|----------|---------------------------------|
| 0x0   | BOTHEGE  | Both negative and positive edge |
| 0x1   | -        | Reserved                        |
| 0x2   | NEGEDEGE | Negative edge                   |
| 0x3   | POSEDEGE | Positive edge                   |

### Bit 3 – LPMODE Low-Power Mode

Writing a '1' to this bit reduces the current through the comparator. This reduces the power consumption, but increases the reaction time of the AC.

| Value | Description             |
|-------|-------------------------|
| 0     | Low-Power mode disabled |
| 1     | Low-Power mode enabled  |

### Bits 2:1 – HYSMODE[1:0] Hysteresis Mode Select

Writing these bits selects the Hysteresis mode for the AC input.

| Value | Name   | Description       |
|-------|--------|-------------------|
| 0x0   | NONE   | No hysteresis     |
| 0x1   | SMALL  | Small hysteresis  |
| 0x2   | MEDIUM | Medium hysteresis |
| 0x3   | LARGE  | Large hysteresis  |

### Bit 0 – ENABLE Enable AC

Writing this bit to '1' enables the AC.

### 28.5.2 MUX Control A

**Name:** MUXCTRLA  
**Offset:** 0x02  
**Reset:** 0x00  
**Property:** -

|        |     |        |   |   |             |     |   |             |     |
|--------|-----|--------|---|---|-------------|-----|---|-------------|-----|
|        | Bit | 7      | 6 | 5 | 4           | 3   | 2 | 1           | 0   |
|        |     | INVERT |   |   | MUXPOS[1:0] |     |   | MUXNEG[1:0] |     |
| Access |     | R/W    |   |   | R/W         | R/W |   | R/W         | R/W |
| Reset  |     | 0      |   |   | 0           | 0   |   | 0           | 0   |

**Bit 7 – INVERT** Invert AC Output

Writing this bit to '1' enables inversion of the output of the AC. This inversion has to be taken into account when using the AC output signal as an input signal to other peripherals or parts of the system.

**Bits 4:3 – MUXPOS[1:0]** Positive Input MUX Selection

Writing to this bit field selects the input signal to the positive input of the AC.

| Value | Name  | Description    |
|-------|-------|----------------|
| 0x0   | AINP0 | Positive pin 0 |
| 0x1   | AINP1 | Positive pin 1 |
| 0x2   | AINP2 | Positive pin 2 |
| 0x3   | AINP3 | Positive pin 3 |

**Bits 1:0 – MUXNEG[1:0]** Negative Input MUX Selection

Writing to this bit field selects the input signal to the negative input of the AC.

| Value | Name   | Description            |
|-------|--------|------------------------|
| 0x0   | AINN0  | Negative pin 0         |
| 0x1   | AINN1  | Negative pin 1         |
| 0x2   | AINN2  | Negative pin 2         |
| 0x3   | DACREF | Internal DAC reference |

### 28.5.3 DAC Voltage Reference

**Name:** DACREF  
**Offset:** 0x04  
**Reset:** 0xFF  
**Property:** R/W

|        |             |     |     |     |     |     |     |     |
|--------|-------------|-----|-----|-----|-----|-----|-----|-----|
| Bit    | 7           | 6   | 5   | 4   | 3   | 2   | 1   | 0   |
|        | DACREF[7:0] |     |     |     |     |     |     |     |
| Access | R/W         | R/W | R/W | R/W | R/W | R/W | R/W | R/W |
| Reset  | 1           | 1   | 1   | 1   | 1   | 1   | 1   | 1   |

**Bits 7:0 – DACREF[7:0]** DACREF Data Value

These bits define the output voltage from the internal voltage divider. The DAC voltage reference depends on the DACREF value and the reference voltage selected in the  $V_{REF}$  module, and is calculated as:

$$V_{DACREF} = \frac{DACREF}{256} \times V_{REF}$$

28.5.4 Interrupt Control

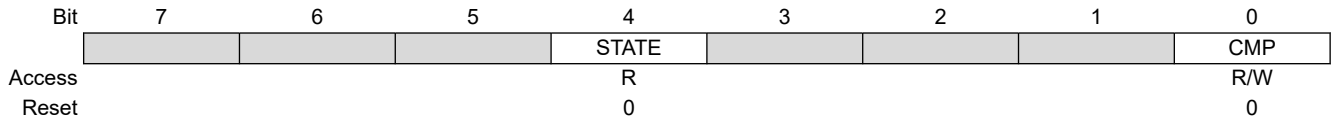
Name: INTCTRL  
Offset: 0x06  
Reset: 0x00  
Property: -

| Bit    | 7 | 6 | 5 | 4 | 3 | 2 | 1 | 0   |
|--------|---|---|---|---|---|---|---|-----|
| Access |   |   |   |   |   |   |   | CMP |
| Reset  |   |   |   |   |   |   |   | 0   |

**Bit 0 – CMP** Analog Comparator Interrupt Enable  
Writing this bit to '1' enables the Analog Comparator Interrupt.

28.5.5 Status

Name: STATUS  
Offset: 0x07  
Reset: 0x00  
Property: -



**Bit 4 – STATE** Analog Comparator State  
This bit shows the current status of the OUT signal from the AC. It will have a synchronizer delay to get updated in the I/O register (three cycles).

**Bit 0 – CMP** Analog Comparator Interrupt Flag  
This is the interrupt flag for the AC. Writing a '1' to this bit will clear the interrupt flag.



## 29. ADC - Analog-to-Digital Converter

### 29.1 Features

- 10-Bit Resolution
- 0V to  $V_{DD}$  Input Voltage Range
- Multiple Internal ADC Reference Voltages
- External Reference Input
- Free-Running and Single Conversion Mode
- Interrupt Available on Conversion Complete
- Optional Interrupt on Conversion Results
- Temperature Sensor Input Channel
- Optional Event-Triggered Conversion
- Window Comparator Function for Accurate Monitoring or Defined Thresholds
- Accumulation up to 64 Samples per Conversion

### 29.2 Overview

The Analog-to-Digital Converter (ADC) peripheral produces 10-bit results. The ADC input can either be internal (e.g., a voltage reference) or external through the analog input pins. The ADC is connected to an analog multiplexer, which allows the selection of multiple single-ended voltage inputs. The single-ended voltage inputs refer to 0V (GND).

The ADC supports sampling in bursts where a configurable number of conversion results are accumulated into a single ADC result (Sample Accumulation). Further, a sample delay can be configured to tune the ADC sampling frequency associated with a single burst. This is to tune the sampling frequency away from any harmonic noise aliased with the ADC sampling frequency (within the burst) from the sampled signal. An automatic sampling delay variation feature can be used to randomize this delay to slightly change the time between samples.

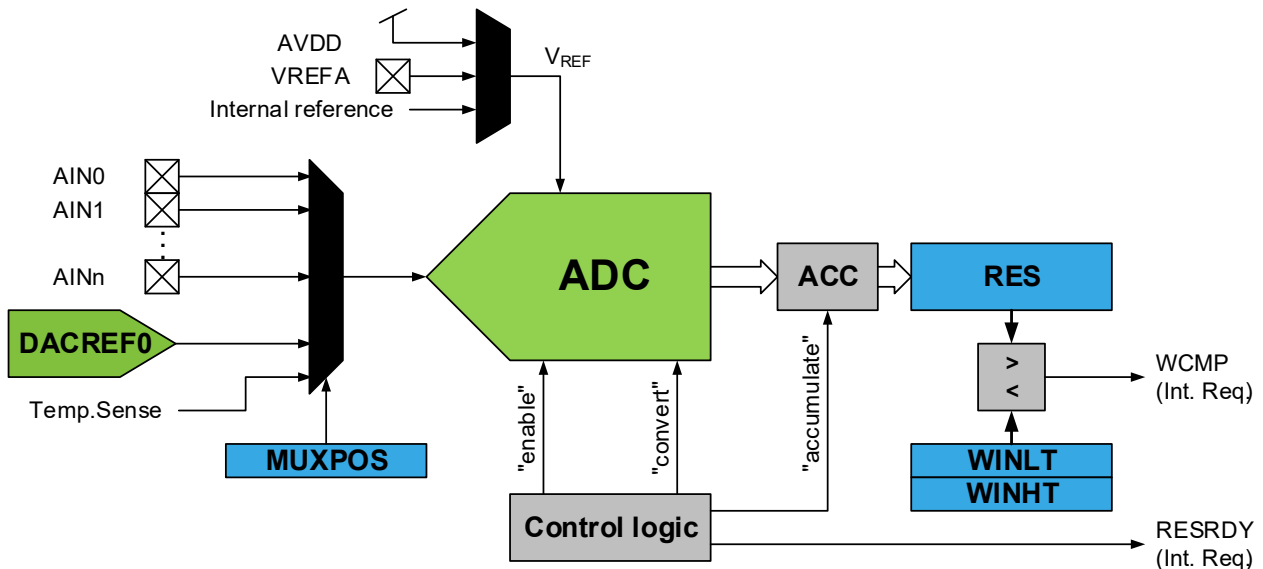
The ADC input signal is fed through a sample-and-hold circuit that ensures that the input voltage to the ADC is held at a constant level during sampling.

The selectable voltage references from the internal Voltage Reference (VREF) peripheral, are  $V_{DD}$  supply voltage, or external VREF pin (VREFA).

A window compare feature is available for monitoring the input signal and can be configured to only trigger an interrupt on user-defined thresholds for under, over, inside, or outside a window, with minimum software intervention required.

### 29.2.1 Block Diagram

Figure 29-1. Block Diagram



The analog input channel is selected by writing to the MUXPOS bits in the MUXPOS (ADCn.MUXPOS) register. Any of the ADC input pins, GND, internal Voltage Reference ( $V_{REF}$ ), or temperature sensor, can be selected as a single-ended input to the ADC. The ADC is enabled by writing a '1' to the ADC ENABLE bit in the Control A (ADCn.CTRLA) register. The voltage reference and input channel selections will not go into effect before the ADC is enabled. The ADC does not consume power when the ENABLE bit in ADCn.CTRLA is '0'.

The ADC generates a 10-bit result that can be read from the Result (ADCn.RES) Register. The result is presented right-adjusted.

### 29.2.2 Signal Description

| Pin Name | Type         | Description                    |
|----------|--------------|--------------------------------|
| AIN[n:0] | Analog input | Analog input pin               |
| VREFA    | Analog input | External voltage reference pin |

## 29.3 Functional Description

### 29.3.1 Initialization

The following steps are recommended to initialize the ADC operation:

1. Configure the resolution by writing to the Resolution Selection (RESSEL) bit in the Control A (ADCn.CTRLA) register.
2. Optional: Enable the Free-Running mode by writing a '1' to the Free-Running (FREERUN) bit in ADCn.CTRLA.
3. Optional: Configure the number of samples to be accumulated per conversion by writing the Sample Accumulation Number Select (SAMPNUM) bits in the Control B (ADCn.CTRLB) register.
4. Configure a voltage reference by writing to the Reference Selection (REFSEL) bit in the Control C (ADCn.CTRLA) register. The default is the internal voltage reference of the device ( $V_{REF}$ , as configured there).
5. Configure the CLK\_ADC by writing to the Prescaler (PRESC) bit field in the Control C (ADCn.CTRLA) register.
6. Configure an input by writing to the MUXPOS bit field in the MUXPOS (ADCn.MUXPOS) register.
7. Optional: Enable Start Event input by writing a '1' to the Start Event Input (STARTEI) bit in the Event Control (ADCn.EVCTRL) register. Configure the Event System accordingly.

8. Enable the ADC by writing a '1' to the ENABLE bit in ADCn.CTRLA.

Following these steps will initialize the ADC for basic measurements, which can be triggered by an event (if configured) or by writing a '1' to the Start Conversion (STCONV) bit in the Command (ADCn.COMMAND) register.

### 29.3.1.1 I/O Lines and Connections

The I/O pins AINx and VREF are configured by the port - I/O Pin Controller.

The digital input buffer should be disabled on the pin used as input for the ADC to disconnect the digital domain from the analog domain to obtain the best possible ADC results. This is configured by the PORT peripheral.

### 29.3.2 Operation

#### 29.3.2.1 Starting a Conversion

Once the input channel is selected by writing to the MUXPOS (ADCn.MUXPOS) register, a conversion is triggered by writing a '1' to the ADC Start Conversion (STCONV) bit in the Command (ADCn.COMMAND) register. This bit is '1' as long as the conversion is in progress. In Single Conversion mode, STCONV is cleared by hardware when the conversion is completed.

If a different input channel is selected while a conversion is in progress, the ADC will finish the current conversion before changing the channel.

Depending on the accumulator setting, the conversion result is from a single sensing operation or a sequence of accumulated samples. Once the triggered operation is finished, the Result Ready (RESRDY) flag in the Interrupt Flag (ADCn.INTFLAG) register is set. The corresponding interrupt vector is executed if the Result Ready Interrupt Enable (RESRDY) bit in the Interrupt Control (ADCn.INTCTRL) register is '1' and the Global Interrupt Enable bit is '1'.

A single conversion can be started by writing a '1' to the STCONV bit in ADCn.COMMAND. The STCONV bit can be used to determine if a conversion is in progress. The STCONV bit will be set during a conversion and cleared once the conversion is complete.

The RESRDY interrupt flag in ADCn.INTFLAG will be set even if the specific interrupt is disabled, allowing software to check for finished conversion by polling the flag. A conversion can thus be triggered without causing an interrupt.

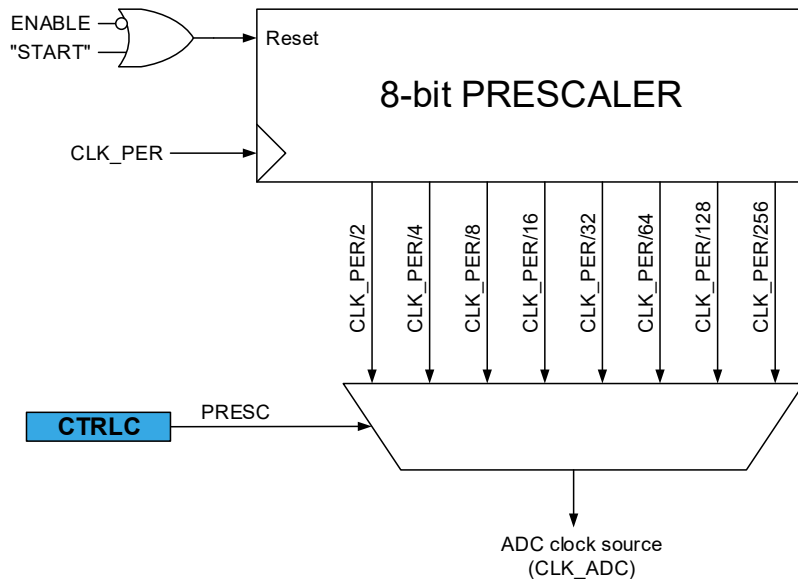
Alternatively, a conversion can be triggered by an event. This is enabled by writing a '1' to the Start Event Input (STARTEI) bit in the Event Control (ADCn.EVCTRL) register. Any incoming event routed to the ADC through the Event System (EVSYS) will trigger an ADC conversion. This provides a method to start conversions at predictable intervals or specific conditions.

The event trigger input is edge sensitive. When an event occurs, STCONV in ADCn.COMMAND is set. STCONV will be cleared when the conversion is complete.

In Free-Running mode, the first conversion is started by writing the STCONV bit to '1' in ADCn.COMMAND. A new conversion cycle is started immediately after the previous conversion cycle has completed. A conversion complete will set the RESRDY flag in ADCn.INTFLAGS.

### 29.3.2.2 Clock Generation

**Figure 29-2. ADC Prescaler**



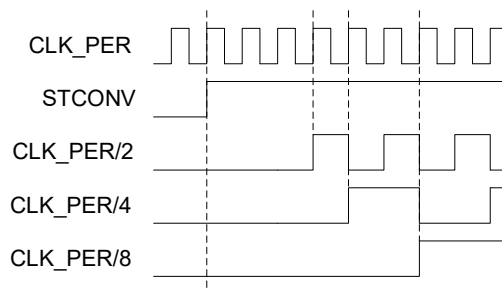
The ADC requires an input clock frequency between 50 kHz and 1.5 MHz for maximum resolution. If a lower resolution than ten bits is selected, the input clock frequency to the ADC can be higher than 1.5 MHz to get a higher sample rate.

The ADC module contains a prescaler which generates the ADC clock (CLK\_ADC) from any CPU clock (CLK\_PER) above 100 kHz. The prescaling is selected by writing to the Prescaler (PRESC) bits in the Control C (ADCn.CTRLC) register. The prescaler starts counting from the moment the ADC is switched on by writing a '1' to the ENABLE bit in ADCn.CTRLA. The prescaler keeps running as long as the ENABLE bit is '1'. The prescaler counter is reset to zero when the ENABLE bit is '0'.

When initiating a conversion by writing a '1' to the Start Conversion (STCONV) bit in the Command (ADCn.COMMAND) register or from an event, the conversion starts at the following rising edge of the CLK\_ADC clock cycle. The prescaler is kept reset as long as there is no ongoing conversion. This assures a fixed delay from the trigger to the actual start of a conversion in CLK\_PER cycles, as follows:

$$\text{StartDelay} = \frac{\text{PRESC}_{\text{factor}}}{2} + 2$$

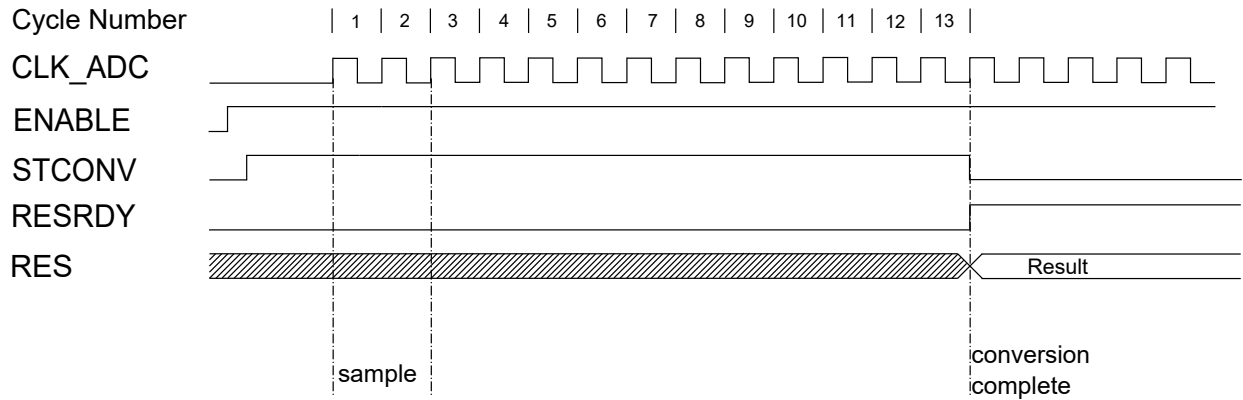
**Figure 29-3. Start Conversion and Clock Generation**



### 29.3.2.3 Conversion Timing

A normal conversion takes 13 CLK\_ADC cycles. The actual sample-and-hold takes place two CLK\_ADC cycles after the start of a conversion. The start of a conversion is initiated by writing a '1' to the STCONV bit in ADCn.COMMAND. When a conversion is complete, the result is available in the Result (ADCn.RES) register, and the Result Ready interrupt flag is set (RESRDY in ADCn.INTFLAG). The interrupt flag will be cleared when the result is read from the Result registers, or by writing a '1' to the RESRDY bit in ADCn.INTFLAG.

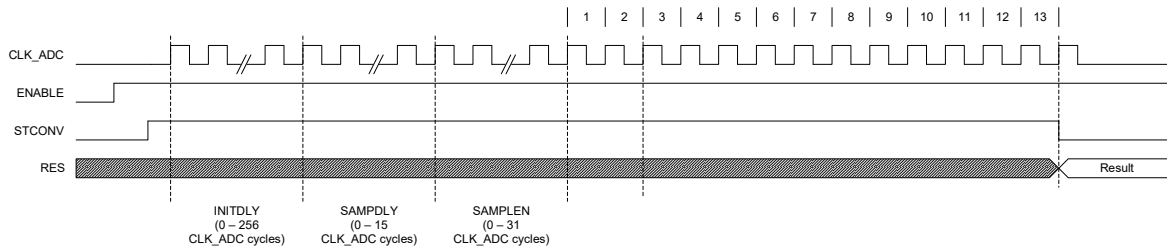
**Figure 29-4. ADC Timing Diagram - Single Conversion**



Both sampling time and sampling length can be adjusted using the Sample Delay bit field in the Control D (ADCn.CTRLD) register and the Sample Length bit field in the Sample Control (ADCn.SAMPCTRL) register. Both of these control the ADC sampling time in some CLK\_ADC cycles. This allows sampling of high-impedance sources without relaxing conversion speed. See the register description for further information. Total sampling time is given by:

$$\text{SampleTime} = \frac{(2 + \text{SAMPDLY} + \text{SAMPLEN})}{f_{\text{CLK\_ADC}}}$$

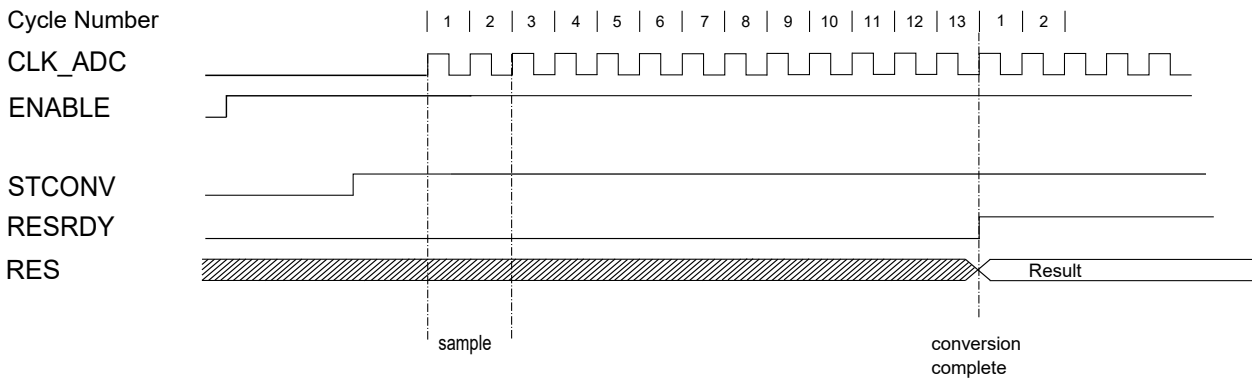
**Figure 29-5. ADC Timing Diagram - Single Conversion With Delays**



In Free-Running mode, a new conversion will be started immediately after the conversion completes, while the STCONV bit is '1'. The sampling rate  $R_S$  in Free-Running mode is calculated by:

$$R_S = \frac{f_{\text{CLK\_ADC}}}{(13 + \text{SAMPDLY} + \text{SAMPLEN})}$$

**Figure 29-6. ADC Timing Diagram - Free-Running Conversion**



### 29.3.2.4 Changing Channel or Reference Selection

The MUXPOS bits in the ADCn.MUXPOS register and the REFSEL bits in the ADCn.CTRLB register are buffered through a temporary register to which the CPU has random access. This ensures that the channel and reference selections only take place at a safe point during the conversion. The channel and reference selections are continuously updated until a conversion is started.

Once the conversion starts, the channel and reference selections are locked to ensure sufficient sampling time for the ADC. Continuous updating resumes in the last CLK\_ADC clock cycle before the conversion completes (RESRDY in ADCn.INTFLAGS is set). The conversion starts on the following rising CLK\_ADC clock edge after the STCONV bit is written to '1'.

### 29.3.2.4.1 ADC Input Channels

When changing channel selection, the user must observe the following guidelines to ensure that the correct channel is selected:

In Single Conversion mode: The channel should be selected before starting the conversion. The channel selection may be changed one ADC clock cycle after writing '1' to the STCONV bit.

In Free-Running mode: The channel should be selected before starting the first conversion. The channel selection may be changed one ADC clock cycle after writing '1' to the STCONV bit. Since the next conversion has already started automatically, the next result will reflect the previous channel selection. The subsequent conversions will reflect the new channel selection.

The ADC requires a settling time after switching the input channel - refer to the Electrical Characteristics section for details.

### 29.3.2.4.2 ADC Voltage Reference

The reference voltage for the ADC ( $V_{REF}$ ) controls the conversion range of the ADC. Input voltages that exceed the selected  $V_{REF}$  will be converted to the maximum result value of the ADC. For an ideal 10-bit ADC, this value is 0x3FF.

$V_{REF}$  can be selected by writing the Reference Selection (REFSEL) bits in the Control C (ADCn.CTRLC) register as either  $V_{DD}$ , external reference  $V_{REFA}$ , or an internal reference from the VREF peripheral.  $V_{DD}$  is connected to the ADC through a passive switch.

When using the external reference voltage  $V_{REFA}$ , configure ADCnREFSEL[0:2] in the corresponding VREF.CTRLn register to the value that is closest, but above the applied reference voltage. For external references higher than 4.3V, use ADCnREFSEL[0:2] = 0x3.

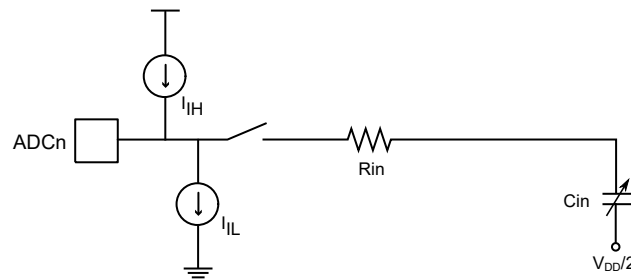
The internal reference is generated from an internal band gap reference through an internal amplifier, controlled by the Voltage Reference (VREF) peripheral.

### 29.3.2.4.3 Analog Input Circuitry

The analog input circuitry is illustrated in [Figure 29-7](#). An analog source applied to ADCn is subjected to the pin capacitance and input leakage of that pin (represented by  $I_H$  and  $I_L$ ), regardless of whether that channel is selected as input for the ADC or not. When the channel is selected, the source must drive the S/H capacitor through the series resistance (combined resistance in the input path).

The ADC is optimized for analog signals with an output impedance of approximately 10 k $\Omega$  or less. If such a source is used, the sampling time will be negligible. If a source with higher impedance is used, the sampling time will depend on how long the source needs to charge the S/H capacitor, which can vary substantially.

**Figure 29-7. Analog Input Schematic**



### 29.3.2.5 ADC Conversion Result

After the conversion is complete (RESRDY is '1'), the conversion result RES is available in the ADC Result (ADCn.RES) register. The result of a 10-bit conversion is given as follows:

$$RES = \frac{1023 \times V_{IN}}{V_{REF}}$$

where  $V_{IN}$  is the voltage on the selected input pin and  $V_{REF}$  the selected voltage reference (see description for REFSEL in ADCn.CTRLA and ADCn.MUXPOS).

### 29.3.2.6 Temperature Measurement

The temperature measurement is based on an on-chip temperature sensor. For temperature measurement, follow these steps:

1. Configure the internal voltage reference to 1.1V by configuring the VREF peripheral.
2. Select the internal voltage reference by writing the REFSEL bits in ADCn.CTRLA to 0x0.
3. Select the ADC temperature sensor channel by configuring the MUXPOS (ADCn.MUXPOS) register. This enables the temperature sensor.
4. In ADCn.CTRLD select  $INITDLY \geq 32 \mu s \times f_{CLK\_ADC}$ .
5. In ADCn.SAMPCTRL select  $SAMPLEN \geq 32 \mu s \times f_{CLK\_ADC}$ .
6. In ADCn.CTRLA select  $SAMPCAP = 1$ .
7. Acquire the temperature sensor output voltage by starting a conversion.
8. Process the measurement result, as described below.

The measured voltage has a linear relationship to the temperature. Due to process variations, the temperature sensor output voltage varies between individual devices at the same temperature. The individual compensation factors are determined during the production test and saved in the Signature Row:

- SIGROW.TEMPESENSE0 is a gain/slope correction
- SIGROW.TEMPESENSE1 is an offset correction

To achieve accurate results, the result of the temperature sensor measurement must be processed in the application software using factory calibration values. The temperature (in Kelvin) is calculated by this rule:

```
Temp = (((RESH << 8) | RESL) - TEMPESENSE1) * TEMPESENSE0 >> 8
```

RESH and RESL are the high and low bytes of the Result register (ADCn.RES), and TEMPESENSEn are the respective values from the Signature row.

It is recommended to follow these steps in user code:

```
int8_t sigrow_offset = SIGROW.TEMPESENSE1; // Read signed value from signature row
uint8_t sigrow_gain = SIGROW.TEMPESENSE0; // Read unsigned value from signature row
uint16_t adc_reading = 0; // ADC conversion result with 1.1 V internal reference

uint32_t temp = adc_reading - sigrow_offset;
temp *= sigrow_gain; // Result might overflow 16 bit variable (10bit+8bit)
temp += 0x80; // Add 1/2 to get correct rounding on division below
temp >>= 8; // Divide result to get Kelvin
uint16_t temperature_in_K = temp;
```

### 29.3.2.7 Window Comparator Mode

The ADC can raise the WCMP flag in the Interrupt and Flag (ADCn.INTFLAG) register and request an interrupt (WCMP) when the result of a conversion is above and/or below certain thresholds. The available modes are:

- The result is under a threshold
- The result is over a threshold
- The result is inside a window (above a lower threshold, but below the upper one)
- The result is outside a window (either under the lower or above the upper threshold)

The thresholds are defined by writing to the Window Comparator Threshold registers (ADCn.WINLT and ADCn.WINHT). Writing to the Window Comparator mode (WINCM) bit field in the Control E (ADCn.CTRLE) register selects the conditions when the flag is raised and/or the interrupt is requested.

Assuming the ADC is already configured to run, follow these steps to use the Window Comparator mode:

1. Choose which Window Comparator to use (see the WINCM description in ADCn.CTRLE), and set the required threshold(s) by writing to ADCn.WINLT and/or ADCn.WINHT.
2. Optional: enable the interrupt request by writing a '1' to the Window Comparator Interrupt Enable (WCMP) bit in the Interrupt Control (ADCn.INTCTRL) register.

3. Enable the Window Comparator and select a mode by writing a non-zero value to the WINCM bit field in ADCn.CTRLE.

When accumulating multiple samples, the comparison between the result and the threshold will happen after the last sample was acquired. Consequently, the flag is raised only once, after taking the last sample of the accumulation.

### 29.3.3 Events

An ADC conversion can be triggered automatically by an event input if the Start Event Input (STARTEI) bit in the Event Control (ADCn.EVCTRL) register is written to '1'.

When a new result can be read from the Result (ADCn.RES) register, the ADC will generate a result ready event. The event is a pulse with a length of one clock period and handled by the Event System (EVSYS). The ADC result ready event is always generated when the ADC is enabled.

See also the description of the Asynchronous User Channel n Input Selection in the Event System (EVSYS.ASYNCUSERn).

### 29.3.4 Interrupts

**Table 29-1. Available Interrupt Vectors and Sources**

| Name   | Vector Description          | Conditions   |
|--------|-----------------------------|--|
| RESRDY | Result Ready interrupt      | The conversion result is available in the Result register (ADCn.RES) |
| WCMP   | Window Comparator interrupt | As defined by WINCM in ADCn.CTRLE                                    |

When an interrupt condition occurs, the corresponding interrupt flag is set in the peripheral's Interrupt Flags (*peripheral*.INTFLAGS) register.

An interrupt source is enabled or disabled by writing to the corresponding enable bit in the peripheral's Interrupt Control (*peripheral*.INTCTRL) register.

An interrupt request is generated when the corresponding interrupt source is enabled, and the interrupt flag is set. The interrupt request remains active until the interrupt flag is cleared. See the peripheral's INTFLAGS register for details on how to clear interrupt flags.

### 29.3.5 Sleep Mode Operation

The ADC is by default disabled in Standby sleep mode.

The ADC can stay fully operational in Standby sleep mode if the Run in Standby (RUNSTDBY) bit in the Control A (ADCn.CTRLA) register is written to '1'.

When the device is entering Standby sleep mode when RUNSTDBY is '1', the ADC will stay active, hence any ongoing conversions will be completed, and interrupts will be executed as configured.

In Standby sleep mode, an ADC conversion must be triggered via the Event System (EVSYS), or the ADC must be in Free-Running mode with the first conversion triggered by software before entering a sleep mode. The peripheral clock is requested if needed and is turned off after the conversion is completed.

When an input event trigger occurs, the positive edge will be detected, the Start Conversion (STCONV) bit in the Command (ADCn.COMMAND) register is set, and the conversion will start. When the conversion is completed, the Result Ready (RESRDY) flag in the Interrupt Flags (ADCn.INTFLAGS) register is set, and the STCONV bit in ADCn.COMMAND is cleared.

The reference source and supply infrastructure need time to stabilize when activated in Standby sleep mode. Configure a delay for the start of the first conversion by writing a non-zero value to the Initial Delay (INITDLY) bits in the Control D (ADCn.CTRLD) register.

In Power-Down sleep mode, no conversions are possible. Any ongoing conversions are halted and will be resumed when going out of a sleep mode. At the end of conversion, the Result Ready (RESRDY) flag will be set, but the content of the result (ADCn.RES) registers is invalid since the ADC was halted in the middle of a conversion.



## 29.4 Register Summary - ADCn

| Offset | Name     | Bit Pos. | 7            | 6       | 5           | 4    | 3            | 2            | 1       | 0       |
|--------|----------|----------|--------------|---------|-------------|------|--------------|--------------|---------|---------|
| 0x00   | CTRLA    | 7:0      | RUNSTBY      |         |             |      |              | RESSEL       | FREERUN | ENABLE  |
| 0x01   | CTRLB    | 7:0      |              |         |             |      |              | SAMPNUM[2:0] |         |         |
| 0x02   | CTRLC    | 7:0      |              | SAMPCAP | REFSEL[1:0] |      |              | PRESC[2:0]   |         |         |
| 0x03   | CTRLD    | 7:0      | INITDLY[2:0] |         |             | ASDV |              | SAMPDLY[3:0] |         |         |
| 0x04   | CTRLF    | 7:0      |              |         |             |      |              | WINCM[2:0]   |         |         |
| 0x05   | SAMPCTRL | 7:0      |              |         |             |      | SAMPLEN[4:0] |              |         |         |
| 0x06   | MUXPOS   | 7:0      |              |         |             |      | MUXPOS[4:0]  |              |         |         |
| 0x07   | Reserved |          |              |         |             |      |              |              |         |         |
| 0x08   | COMMAND  | 7:0      |              |         |             |      |              |              |         | STCONV  |
| 0x09   | EVCTRL   | 7:0      |              |         |             |      |              |              |         | STARTEI |
| 0x0A   | INTCTRL  | 7:0      |              |         |             |      |              |              | WCMP    | RESRDY  |
| 0x0B   | INTFLAGS | 7:0      |              |         |             |      |              |              | WCMP    | RESRDY  |
| 0x0C   | DBGCTRL  | 7:0      |              |         |             |      |              |              |         | DBGRUN  |
| 0x0D   | TEMP     | 7:0      | TEMP[7:0]    |         |             |      |              |              |         |         |
| 0x0E   | Reserved |          |              |         |             |      |              |              |         |         |
| ...    |          |          |              |         |             |      |              |              |         |         |
| 0x0F   |          |          |              |         |             |      |              |              |         |         |
| 0x10   | RES      | 7:0      | RES[7:0]     |         |             |      |              |              |         |         |
|        |          | 15:8     | RES[15:8]    |         |             |      |              |              |         |         |
| 0x12   | WINLT    | 7:0      | WINLT[7:0]   |         |             |      |              |              |         |         |
|        |          | 15:8     | WINLT[15:8]  |         |             |      |              |              |         |         |
| 0x14   | WINHT    | 7:0      | WINHT[7:0]   |         |             |      |              |              |         |         |
|        |          | 15:8     | WINHT[15:8]  |         |             |      |              |              |         |         |
| 0x16   | CALIB    | 7:0      |              |         |             |      |              |              |         | DUTYCYC |

## 29.5 Register Description

### 29.5.1 Control A

**Name:** CTRLA  
**Offset:** 0x00  
**Reset:** 0x00  
**Property:** -

|        |         |   |   |   |   |        |         |        |
|--------|---------|---|---|---|---|--------|---------|--------|
|        | 7       | 6 | 5 | 4 | 3 | 2      | 1       | 0      |
|        | RUNSTBY |   |   |   |   | RESSEL | FREERUN | ENABLE |
| Access | R/W     |   |   |   |   | R/W    | R/W     | R/W    |
| Reset  | 0       |   |   |   |   | 0      | 0       | 0      |

**Bit 7 – RUNSTBY** Run in Standby  
 This bit determines whether the ADC needs to run when the chip is in Standby sleep mode.

**Bit 2 – RESSEL** Resolution Selection  
 This bit selects the ADC resolution.

| Value | Description  |
|-------|--|
| 0     | Full 10-bit resolution. The 10-bit ADC results are accumulated or stored in the ADC Result (ADC.RES) register.   |
| 1     | 8-bit resolution. The conversion results are truncated to eight bits (MSbs) before they are accumulated or stored in the ADC Result (ADC.RES) register. The two Least Significant bits (LSbs) are discarded. |

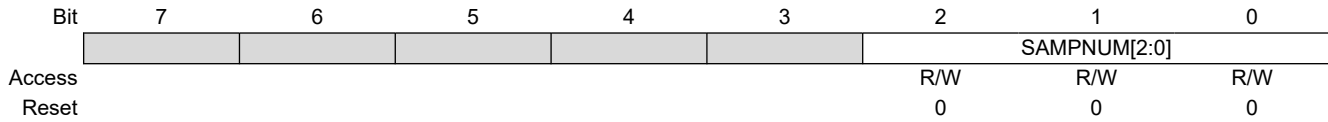
**Bit 1 – FREERUN** Free-Running  
 Writing a '1' to this bit will enable the Free-Running mode for the data acquisition. The first conversion is started by writing the STCONV bit in ADC.COMMAND high. In the Free-Running mode, a new conversion cycle is started immediately after or as soon as the previous conversion cycle has completed. This is signaled by the RESRDY flag in ADCn.INTFLAGS.

**Bit 0 – ENABLE** ADC Enable

| Value | Description     |
|-------|-----------------|
| 0     | ADC is disabled |
| 1     | ADC is enabled  |

### 29.5.2 Control B

**Name:** CTRLB  
**Offset:** 0x01  
**Reset:** 0x00  
**Property:** -



**Bits 2:0 – SAMPNUM[2:0]** Sample Accumulation Number Select

These bits select how many consecutive ADC sampling results are accumulated automatically. When this bit is written to a value greater than 0x0, the according number of consecutive ADC sampling results are accumulated into the ADC Result (ADC.RES) register in one complete conversion.

| Value | Name  | Description            |
|-------|-------|------------------------|
| 0x0   | NONE  | No accumulation        |
| 0x1   | ACC2  | 2 results accumulated  |
| 0x2   | ACC4  | 4 results accumulated  |
| 0x3   | ACC8  | 8 results accumulated  |
| 0x4   | ACC16 | 16 results accumulated |
| 0x5   | ACC32 | 32 results accumulated |
| 0x6   | ACC64 | 64 results accumulated |
| 0x7   | -     | Reserved               |

### 29.5.3 Control C

**Name:** CTRLC  
**Offset:** 0x02  
**Reset:** 0x00  
**Property:** -

|        |         |     |             |     |   |            |     |     |
|--------|---------|-----|-------------|-----|---|------------|-----|-----|
|        | 7       | 6   | 5           | 4   | 3 | 2          | 1   | 0   |
|        | SAMPCAP |     | REFSEL[1:0] |     |   | PRESC[2:0] |     |     |
| Access | R       | R/W | R/W         | R/W | R | R/W        | R/W | R/W |
| Reset  | 0       | 0   | 0           | 0   | 0 | 0          | 0   | 0   |

#### Bit 6 – SAMPCAP Sample Capacitance Selection

This bit selects the sample capacitance, and hence, the input impedance. The best value is dependent on the reference voltage and the application's electrical properties.

| Value | Description  |
|-------|--|
| 0     | Recommended for reference voltage values below 1V                                |
| 1     | Reduced size of sampling capacitance. Recommended for higher reference voltages. |

#### Bits 5:4 – REFSEL[1:0] Reference Selection

These bits select the voltage reference for the ADC.

| Value | Name     | Description                          |
|-------|----------|--------------------------------------|
| 0x0   | INTERNAL | Internal reference                   |
| 0x1   | VDD      | V <sub>DD</sub>                      |
| 0x2   | VREFA    | External reference V <sub>REFA</sub> |
| Other | -        | Reserved                             |

#### Bits 2:0 – PRESC[2:0] Prescaler

These bits define the division factor from the peripheral clock (CLK\_PER) to the ADC clock (CLK\_ADC).

| Value | Name   | Description            |
|-------|--------|------------------------|
| 0x0   | DIV2   | CLK_PER divided by 2   |
| 0x1   | DIV4   | CLK_PER divided by 4   |
| 0x2   | DIV8   | CLK_PER divided by 8   |
| 0x3   | DIV16  | CLK_PER divided by 16  |
| 0x4   | DIV32  | CLK_PER divided by 32  |
| 0x5   | DIV64  | CLK_PER divided by 64  |
| 0x6   | DIV128 | CLK_PER divided by 128 |
| 0x7   | DIV256 | CLK_PER divided by 256 |

### 29.5.4 Control D

**Name:** CTRLD  
**Offset:** 0x03  
**Reset:** 0x00  
**Property:** -

|        |              |     |     |      |              |     |     |     |
|--------|--------------|-----|-----|------|--------------|-----|-----|-----|
|        | 7            | 6   | 5   | 4    | 3            | 2   | 1   | 0   |
|        | INITDLY[2:0] |     |     | ASDV | SAMPDLY[3:0] |     |     |     |
| Access | R/W          | R/W | R/W | R/W  | R/W          | R/W | R/W | R/W |
| Reset  | 0            | 0   | 0   | 0    | 0            | 0   | 0   | 0   |

#### Bits 7:5 – INITDLY[2:0] Initialization Delay

These bits define the initialization/start-up delay before the first sample when enabling the ADC or changing to an internal reference voltage. Setting this delay will ensure that the reference, MUXes, etc. are ready before starting the first conversion. The initialization delay will also take place when waking up from deep sleep to do a measurement. The delay is expressed as a number of CLK\_ADC cycles.

| Value | Name   | Description              |
|-------|--------|--------------------------|
| 0x0   | DLY0   | Delay 0 CLK_ADC cycles   |
| 0x1   | DLY16  | Delay 16 CLK_ADC cycles  |
| 0x2   | DLY32  | Delay 32 CLK_ADC cycles  |
| 0x3   | DLY64  | Delay 64 CLK_ADC cycles  |
| 0x4   | DLY128 | Delay 128 CLK_ADC cycles |
| 0x5   | DLY256 | Delay 256 CLK_ADC cycles |
| Other | -      | Reserved                 |

#### Bit 4 – ASDV Automatic Sampling Delay Variation

Writing this bit to '1' enables automatic sampling delay variation between ADC conversions. The purpose of varying sampling instant is to randomize the sampling instant and thus avoid standing frequency components in the frequency spectrum. The value of the SAMPDLY bits is automatically incremented by one after each sample. When the Automatic Sampling Delay Variation is enabled, and the SAMPDLY value reaches 0xF, it wraps around to 0x0.

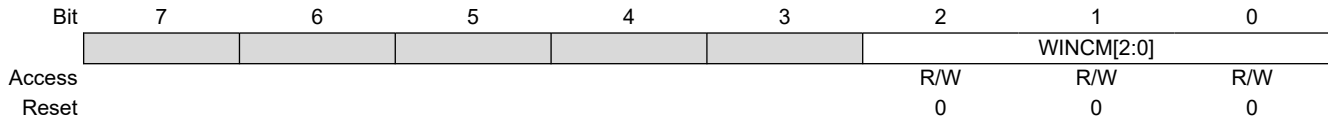
| Value | Name   | Description  |
|-------|--------|--|
| 0     | ASVOFF | The Automatic Sampling Delay Variation is disabled |
| 1     | ASVON  | The Automatic Sampling Delay Variation is enabled  |

#### Bits 3:0 – SAMPDLY[3:0] Sampling Delay Selection

These bits define the delay between consecutive ADC samples. The programmable sampling delay allows modifying the sampling frequency during hardware accumulation to suppress periodic noise sources that may otherwise disturb the sampling. The SAMPDLY field can also be modified automatically from one sampling cycle to another, by setting the ASDV bit. The delay is expressed as CLK\_ADC cycles and is given directly by the bit field setting. The sampling cap is kept open during the delay.

### 29.5.5 Control E

**Name:** CTRLC  
**Offset:** 0x4  
**Reset:** 0x00  
**Property:** -



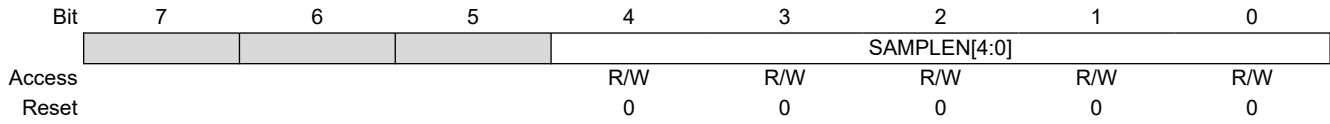
**Bits 2:0 – WINCM[2:0]** Window Comparator Mode

This bit field enables and defines when the interrupt flag is set in Window Comparator mode. RESULT is the 16-bit accumulator result. WINLT and WINHT are 16-bit lower threshold value and 16-bit higher threshold value, respectively.

| Value | Name    | Description                          |
|-------|---------|--------------------------------------|
| 0x0   | NONE    | No Window Comparison (default)       |
| 0x1   | BELOW   | $RESULT < WINLT$                     |
| 0x2   | ABOVE   | $RESULT > WINHT$                     |
| 0x3   | INSIDE  | $WINLT < RESULT < WINHT$             |
| 0x4   | OUTSIDE | $RESULT < WINLT$ or $RESULT > WINHT$ |
| Other | -       | Reserved                             |

### 29.5.6 Sample Control

**Name:** SAMPCTRL  
**Offset:** 0x5  
**Reset:** 0x00  
**Property:** -

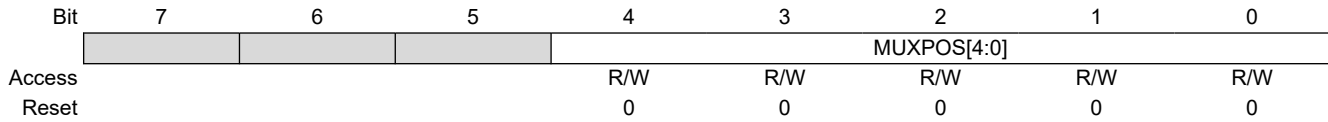


**Bits 4:0 – SAMPLEN[4:0]** Sample Length

These bits extend the ADC sampling length in several CLK\_ADC cycles. By default, the sampling time is two CLK\_ADC cycles. Increasing the sampling length allows sampling sources with higher impedance. The total conversion time increases with the selected sampling length.

### 29.5.7 MUXPOS

**Name:** MUXPOS  
**Offset:** 0x06  
**Reset:** 0x00  
**Property:** -



#### Bits 4:0 – MUXPOS[4:0] MUXPOS

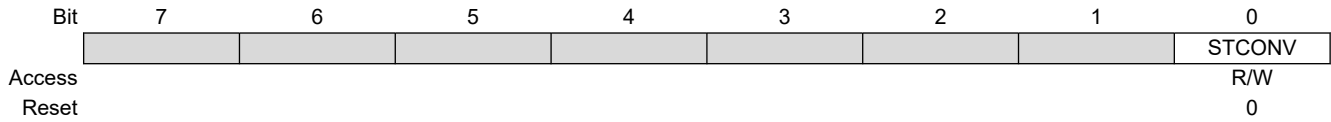
This bit field selects which single-ended analog input is connected to the ADC. If these bits are changed during a conversion, the change will not take effect until this conversion is complete.

| MUXPOS    | Name       | Input                |
|-----------|------------|----------------------|
| 0x00–0x0F | AIN0-AIN15 | ADC input pin 0 - 15 |
| 0x10–0x1B | -          | Reserved             |
| 0x1C      | DACREF0    | DAC reference in AC0 |
| 0x1D      | -          | Reserved             |
| 0x1E      | TEMPSENSE  | Temperature sensor   |
| 0x1F      | GND        | GND                  |
| Other     | -          | Reserved             |



**29.5.8 Command**

**Name:** COMMAND  
**Offset:** 0x08  
**Reset:** 0x00  
**Property:** -



**Bit 0 – STCONV** Start Conversion

Writing a '1' to this bit will start a single measurement. If in Free-Running mode, this will start the first conversion. STCONV will read as '1' as long as a conversion is in progress. When the conversion is complete, this bit is automatically cleared.

**29.5.9 Event Control**

**Name:** EVCTRL  
**Offset:** 0x09  
**Reset:** 0x00  
**Property:** -

|        |   |   |   |   |   |   |   |         |
|--------|---|---|---|---|---|---|---|---------|
| Bit    | 7 | 6 | 5 | 4 | 3 | 2 | 1 | 0       |
|        |   |   |   |   |   |   |   | STARTEI |
| Access |   |   |   |   |   |   |   | R/W     |
| Reset  |   |   |   |   |   |   |   | 0       |

**Bit 0 – STARTEI** Start Event Input  
This bit enables using the event input as a trigger for starting a conversion.

### 29.5.10 Interrupt Control

**Name:** INTCTRL  
**Offset:** 0x0A  
**Reset:** 0x00  
**Property:** -

|        |   |   |   |   |   |   |      |        |
|--------|---|---|---|---|---|---|------|--------|
| Bit    | 7 | 6 | 5 | 4 | 3 | 2 | 1    | 0      |
|        |   |   |   |   |   |   | WCMP | RESRDY |
| Access |   |   |   |   |   |   | R/W  | R/W    |
| Reset  |   |   |   |   |   |   | 0    | 0      |

**Bit 1 – WCMP** Window Comparator Interrupt Enable  
Writing a '1' to this bit enables the window comparator interrupt.

**Bit 0 – RESRDY** Result Ready Interrupt Enable  
Writing a '1' to this bit enables the result ready interrupt.

**29.5.11 Interrupt Flags**

**Name:** INTFLAGS  
**Offset:** 0x0B  
**Reset:** 0x00  
**Property:** -

|        |   |   |   |   |   |   |      |        |
|--------|---|---|---|---|---|---|------|--------|
|        | 7 | 6 | 5 | 4 | 3 | 2 | 1    | 0      |
| Bit    |   |   |   |   |   |   | WCMP | RESRDY |
| Access |   |   |   |   |   |   | R/W  | R/W    |
| Reset  |   |   |   |   |   |   | 0    | 0      |

**Bit 1 – WCMP** Window Comparator Interrupt Flag

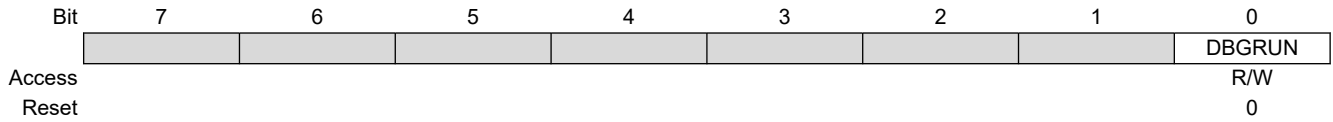
This window comparator interrupt flag is set when the measurement is complete and if the result matches the selected Window Comparator mode defined by WINCM (ADCn.CTRLB). The comparison is done at the end of the conversion. The flag is cleared by either writing a '1' to the bit position or by reading the Result (ADCn.RES) register. Writing a '0' to this bit has no effect.

**Bit 0 – RESRDY** Result Ready Interrupt Flag

The Result Ready interrupt flag is set when a measurement is complete, and a new result is ready. The flag is cleared by either writing a '1' to the bit location or by reading the Result (ADCn.RES) register. Writing a '0' to this bit has no effect.

**29.5.12 Debug Run**

**Name:** DBGCTRL  
**Offset:** 0x0C  
**Reset:** 0x00  
**Property:** -



**Bit 0 – DBGRUN** Debug Run

| Value | Description  |
|-------|--|
| 0     | The peripheral is halted in Break Debug mode and ignores events                |
| 1     | The peripheral will continue to run in Break Debug mode when the CPU is halted |

### 29.5.13 Temporary

**Name:** TEMP  
**Offset:** 0x0D  
**Reset:** 0x00  
**Property:** -

The Temporary register is used by the CPU for 16-bit single-cycle access to the 16-bit registers of this peripheral. The register is common for all the 16-bit registers of this peripheral and can be read and written by software. For more details on reading and writing 16-bit registers, refer to *Accessing 16-Bit Registers* in the *AVR CPU* section.

|        |           |     |     |     |     |     |     |     |
|--------|-----------|-----|-----|-----|-----|-----|-----|-----|
| Bit    | 7         | 6   | 5   | 4   | 3   | 2   | 1   | 0   |
|        | TEMP[7:0] |     |     |     |     |     |     |     |
| Access | R/W       | R/W | R/W | R/W | R/W | R/W | R/W | R/W |
| Reset  | 0         | 0   | 0   | 0   | 0   | 0   | 0   | 0   |

**Bits 7:0 – TEMP[7:0]** Temporary  
 Temporary register for read/write operations in 16-bit registers.

### 29.5.14 Result

**Name:** RES  
**Offset:** 0x10  
**Reset:** 0x00  
**Property:** -

The ADCn.RESL and ADCn.RESH register pair represents the 16-bit value, ADCn.RES. The low byte [7:0] (suffix L) is accessible at the original offset. The high byte [15:8] (suffix H) can be accessed at offset + 0x01.

If the analog input is higher than the reference level of the ADC, the 10-bit ADC result will be equal the maximum value of 0x3FF. Likewise, if the input is below 0V, the ADC result will be 0x000. As the ADC cannot produce a result above 0x3FF values, the accumulated value will never exceed 0xFFC0 even after the maximum allowed 64 accumulations.

|        |     |           |    |    |    |    |    |   |   |
|--------|-----|-----------|----|----|----|----|----|---|---|
|        | Bit | 15        | 14 | 13 | 12 | 11 | 10 | 9 | 8 |
|        |     | RES[15:8] |    |    |    |    |    |   |   |
| Access |     | R         | R  | R  | R  | R  | R  | R | R |
| Reset  |     | 0         | 0  | 0  | 0  | 0  | 0  | 0 | 0 |
|        |     |           |    |    |    |    |    |   |   |
|        | Bit | 7         | 6  | 5  | 4  | 3  | 2  | 1 | 0 |
|        |     | RES[7:0]  |    |    |    |    |    |   |   |
| Access |     | R         | R  | R  | R  | R  | R  | R | R |
| Reset  |     | 0         | 0  | 0  | 0  | 0  | 0  | 0 | 0 |

**Bits 15:8 – RES[15:8]** Result high byte

These bits constitute the MSB of the ADCn.RES register, where the MSb is RES[15]. The ADC itself has a 10-bit output, ADC[9:0], where the MSb is ADC[9]. The data format in ADC and Digital Accumulation is 1's complement, where 0x0000 represents the zero, and 0xFFFF represents the largest number (full scale).

**Bits 7:0 – RES[7:0]** Result low byte

These bits constitute the LSB of ADC/Accumulator Result, (ADCn.RES) register. The data format in ADC and Digital Accumulation is 1's complement, where 0x0000 represents the zero, and 0xFFFF represents the largest number (full scale).

### 29.5.15 Window Comparator Low Threshold

**Name:** WINLT  
**Offset:** 0x12  
**Reset:** 0x00  
**Property:** -

This register is the 16-bit low threshold for the digital comparator monitoring the ADCn.RES register. The ADC itself has a 10-bit output, RES[9:0], where the MSb is RES[9]. The data format in ADC and Digital Accumulation is 1's complement, where 0x0000 represents the zero, and 0xFFFF represents the largest number (full scale).

The ADCn.WINLTH and ADCn.WINLTL register pair represents the 16-bit value, ADCn.WINLT. The low byte [7:0] (suffix L) is accessible at the original offset. The high byte [15:8] (suffix H) can be accessed at offset + 0x01.

When accumulating samples, the window comparator thresholds are applied to the accumulated value and not on each sample.

|        |             |     |     |     |     |     |     |     |
|--------|-------------|-----|-----|-----|-----|-----|-----|-----|
| Bit    | 15          | 14  | 13  | 12  | 11  | 10  | 9   | 8   |
|        | WINLT[15:8] |     |     |     |     |     |     |     |
| Access | R/W         | R/W | R/W | R/W | R/W | R/W | R/W | R/W |
| Reset  | 0           | 0   | 0   | 0   | 0   | 0   | 0   | 0   |
|        |             |     |     |     |     |     |     |     |
| Bit    | 7           | 6   | 5   | 4   | 3   | 2   | 1   | 0   |
|        | WINLT[7:0]  |     |     |     |     |     |     |     |
| Access | R/W         | R/W | R/W | R/W | R/W | R/W | R/W | R/W |
| Reset  | 0           | 0   | 0   | 0   | 0   | 0   | 0   | 0   |

**Bits 15:8 – WINLT[15:8]** Window Comparator Low Threshold High Byte  
 These bits hold the MSB of the 16-bit register.

**Bits 7:0 – WINLT[7:0]** Window Comparator Low Threshold Low Byte  
 These bits hold the LSB of the 16-bit register.



### 29.5.16 Window Comparator High Threshold

**Name:** WINHT  
**Offset:** 0x14  
**Reset:** 0x00  
**Property:** -

This register is the 16-bit high threshold for the digital comparator monitoring the ADCn.RES register. The ADC itself has a 10-bit output, RES[9:0], where the MSb is RES[9]. The data format in ADC and Digital Accumulation is 1's complement, where 0x0000 represents the zero, and 0xFFFF represents the largest number (full scale).

The ADCn.WINHTH and ADCn.WINHTL register pair represents the 16-bit value, ADCn.WINHT. The low byte [7:0] (suffix L) is accessible at the original offset. The high byte [15:8] (suffix H) can be accessed at offset + 0x01.

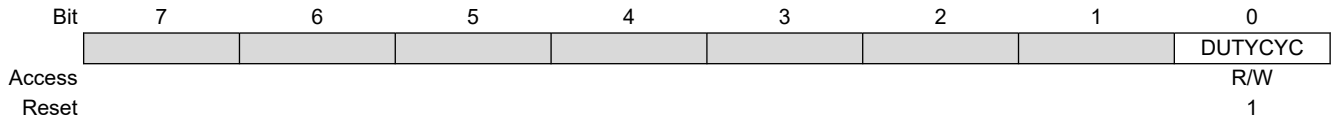
|        |             |     |     |     |     |     |     |     |
|--------|-------------|-----|-----|-----|-----|-----|-----|-----|
| Bit    | 15          | 14  | 13  | 12  | 11  | 10  | 9   | 8   |
|        | WINHT[15:8] |     |     |     |     |     |     |     |
| Access | R/W         | R/W | R/W | R/W | R/W | R/W | R/W | R/W |
| Reset  | 0           | 0   | 0   | 0   | 0   | 0   | 0   | 0   |
|        |             |     |     |     |     |     |     |     |
| Bit    | 7           | 6   | 5   | 4   | 3   | 2   | 1   | 0   |
|        | WINHT[7:0]  |     |     |     |     |     |     |     |
| Access | R/W         | R/W | R/W | R/W | R/W | R/W | R/W | R/W |
| Reset  | 0           | 0   | 0   | 0   | 0   | 0   | 0   | 0   |

**Bits 15:8 – WINHT[15:8]** Window Comparator High Threshold High Byte  
 These bits hold the MSB of the 16-bit register.

**Bits 7:0 – WINHT[7:0]** Window Comparator High Threshold Low Byte  
 These bits hold the LSB of the 16-bit register.

### 29.5.17 Calibration

**Name:** CALIB  
**Offset:** 0x16  
**Reset:** 0x01  
**Property:** -



**Bit 0 – DUTYCYC** Duty Cycle

This bit determines the duty cycle of the ADC clock.

| Value | Description    |
|-------|----------------|
| 0     | 50% Duty Cycle |
| 1     | 25% Duty Cycle |

## 30. UPDI - Unified Program and Debug Interface

### 30.1 Features

- Programming:
  - External programming through UPDI one-wire (1W) interface
    - Uses a dedicated pin of the device for programming
    - No GPIO pins occupied during operation
    - Asynchronous Half-Duplex UART protocol towards the programmer with the programming time up to 0.9 Mbps.
- Debugging:
  - Memory mapped access to device address space (NVM, RAM, I/O)
  - No limitation on device clock frequency
  - Unlimited number of user program breakpoints
  - Two hardware breakpoints
  - Run-time readout of CPU Program Counter (PC), Stack Pointer (SP), and Status register (SREG) for code profiling
  - Program flow control
    - Go, Stop, Reset, Step Into
  - Non-intrusive run-time chip monitoring without accessing system registers
    - Monitor CRC status and sleep status
- Unified Programming and Debug Interface (UPDI):
  - Built-in error detection with error signature readout
  - Frequency measurement of internal oscillators using the Event System

### 30.2 Overview

The Unified Program and Debug Interface (UPDI) is a proprietary interface for external programming and on-chip debugging of a device.

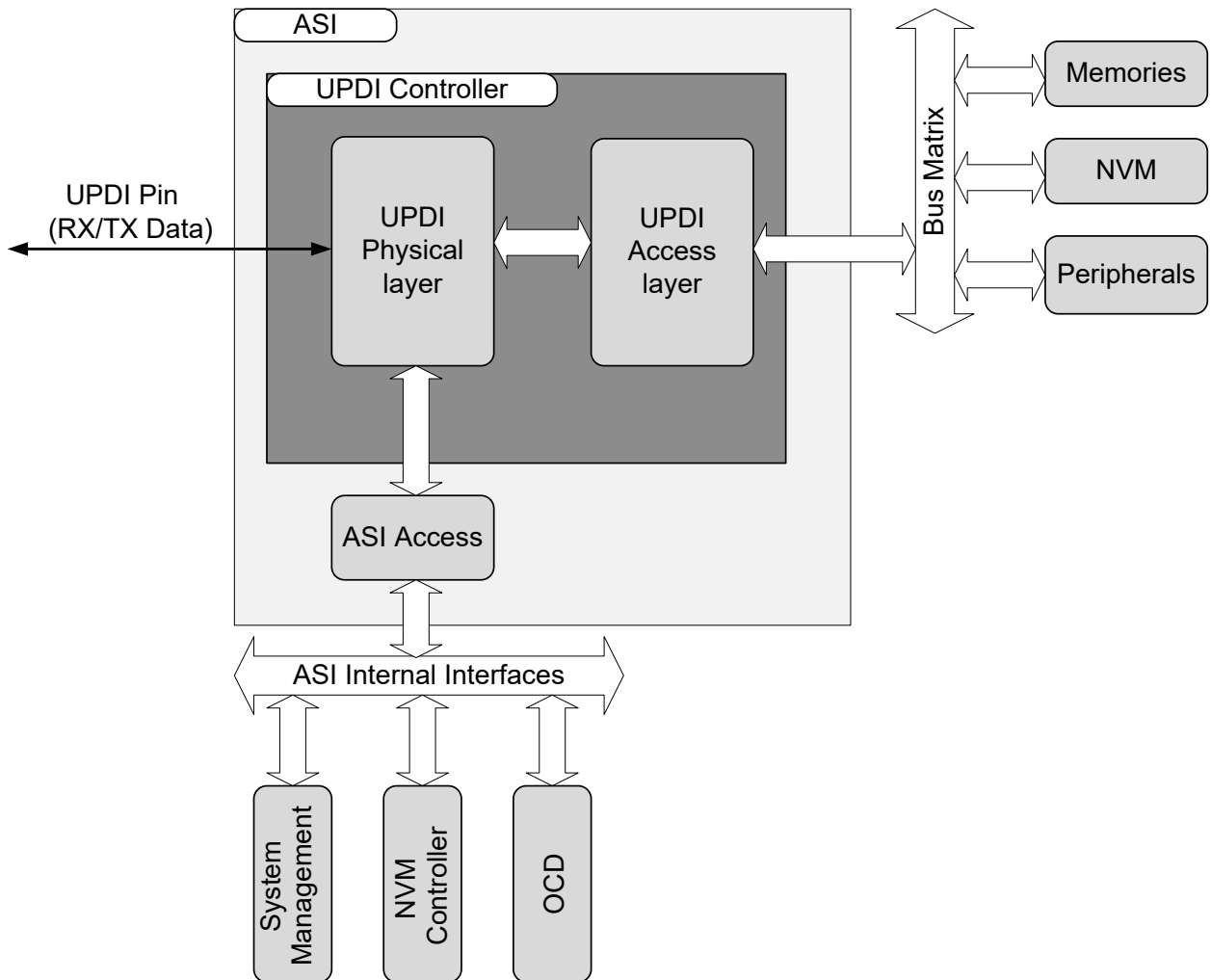
The UPDI supports programming of nonvolatile memory (NVM) space; FLASH, EEPROM, fuses, lockbits, and the user row. In addition, the UPDI can access the entire I/O and data space of the device. See the NVM controller documentation for programming via the NVM controller and executing NVM controller commands.

Programming and debugging are done through the UPDI Physical interface (UPDI PHY), which is a one-wire UART-based half duplex interface using a dedicated pin for data reception and transmission. Clocking of UPDI PHY is done by the internal oscillator. The UPDI access layer grants access to the bus matrix, with memory mapped access to system blocks such as memories, NVM, and peripherals.

The Asynchronous System Interface (ASI) provides direct interface access to On-Chip Debugging (OCD), NVM, and System Management features. This gives the debugger direct access to system information, without requesting bus access.

30.2.1 Block Diagram

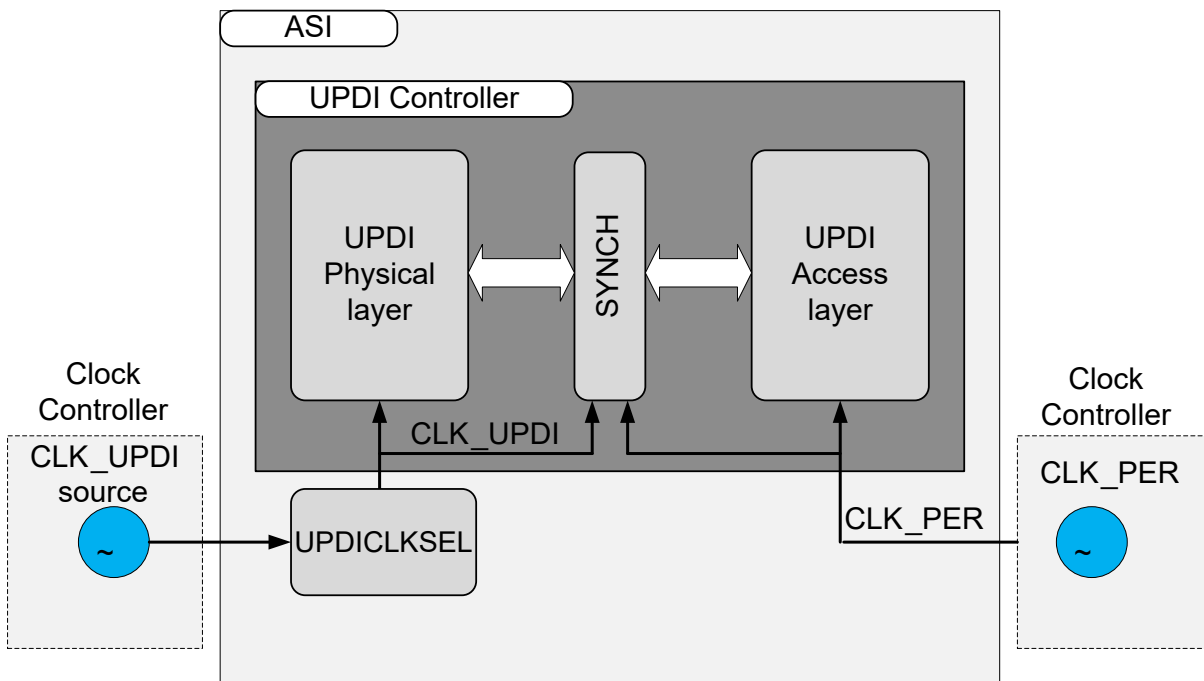
Figure 30-1. UPDI Block Diagram



30.2.2 Clocks

The PHY layer and the ACC layer can operate on different clock domains. The PHY layer clock is derived from the dedicated internal oscillator, and the ACC layer clock is the same as the peripheral clock. There is a synchronization boundary between the PHY and the ACC layer, which ensures correct operation between the clock domains. The UPDI clock output frequency is selected through the ASI, and the default UPDI clock start-up frequency is 4 MHz after enabling or resetting the UPDI. The UPDI clock frequency can be changed by writing to the UPDI Clock Divider Select (UPDICKSEL) bit field in the ASI Control A (UPDI.ASI\_CTRLA) register.

Figure 30-2. UPDI Clock Domains

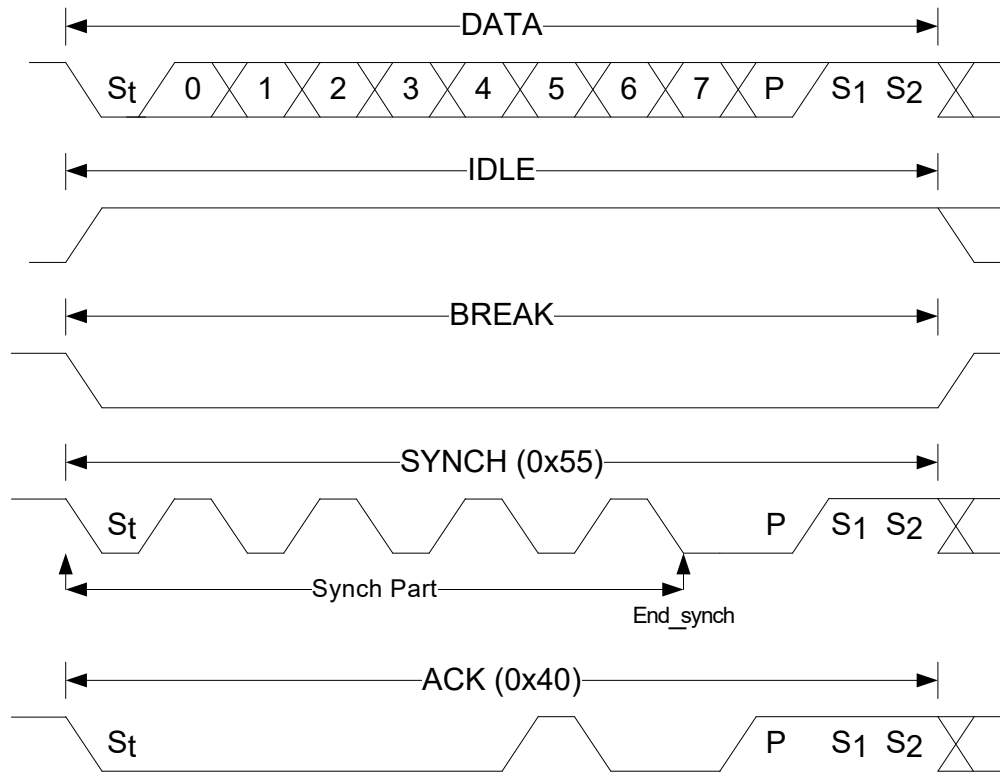


### 30.3 Functional Description

#### 30.3.1 Principle of Operation

Communication through the UPDI is based on standard UART communication, using a fixed frame format, and automatic baud rate detection for clock and data recovery. In addition to the data frame, there are several control frames which are important to the communication. The supported frame formats are presented in [Figure 30-3](#).

Figure 30-3. Supported UPDI Frame Formats



- Data Frame** Data frame consists of one Start bit (always low), eight data bits, one parity bit (even parity), and two Stop bits (always high). If the Parity bit, or Stop bits have an incorrect value, an error will be detected and signaled by the UPDI. The parity bit-check in the UPDI can be disabled by writing the Parity Disable (PARD) bit in UPDI.CTRLA, in which case the parity generation from the debugger can be ignored.
- IDLE Frame** Special frame that consists of 12 high bits. This is the same as keeping the transmission line in an Idle state.
- BREAK** Special frame that consists of 12 low bits. The BREAK frame is used to reset the UPDI back to its default state and is typically used for error recovery.
- SYNCH** The SYNCH frame (0x55) is used by the Baud Rate Generator to set the baud rate for the coming transmission. A SYNCH character is always expected by the UPDI in front of every new instruction, and after a successful BREAK has been transmitted.
- ACK** The Acknowledge (ACK) character is transmitted from the UPDI whenever an ST or STS instruction has successfully crossed the synchronization boundary and have gained bus access. When an ACK is received by the debugger, the next transmission can start.

### 30.3.1.1 UPDI UART

All transmission and reception of serial data on the UPDI is achieved using the UPDI frames presented in [Figure 30-3](#). Communication is initiated from the debugger/programmer side, and every transmission must start with a SYNCH character upon which the UPDI can recover the transmission baud rate, and store this setting for the coming data. The baud rate set by the SYNCH character will be used for both reception and transmission for the instruction byte received after the SYNCH. See [30.3.3 UPDI Instruction Set](#) for details on when the next SYNCH character is expected in the instruction stream.

There is no writable baud rate register in the UPDI, so the baud rate sampled from the SYNCH character is used for data recovery by sampling the Start bit, and performing a majority vote on the middle samples.

The transmission baud rate of the PDI PHY is related to the selected UPDI clock, which can be adjusted by UPDI Clock Select (UPDI\_CLKSEL) bit in UPDI.ASI\_CTRLA. See [Table 30-1](#) for recommended maximum and minimum baud rate settings. The receive and transmit baud rates are always the same within the accuracy of the auto-baud.

**Table 30-1. Recommended UART Baud Rate Based on UPDICKSEL Setting**

| UPDICKSEL[1:0]        | Max. Recommended Baud Rate | Min. Recommended Baud Rate |
|-----------------------|----------------------------|----------------------------|
| 0x1 (16 MHz)          | 0.9 Mbps                   | 0.300 kbps                 |
| 0x2 (8 MHz)           | 450 kbps                   | 0.150 kbps                 |
| 0x3 (4 MHz) - Default | 225 kbps                   | 0.075 kbps                 |

The UPDI Baud Rate Generator utilizes fractional baud counting to minimize the transmission error. With the fixed frame format used by the UPDI, the maximum and recommended receiver transmission error limits can be seen in the following table:

**Table 30-2. Receiver Baud Rate Error**

| Data + Parity Bits | R <sub>slow</sub> | R <sub>fast</sub> | Max. Total Error [%] | Recommended Max. RX Error [%] |
|--------------------|-------------------|-------------------|----------------------|-------------------------------|
| 9                  | 96.39             | 104.76            | +4.76/-3.61          | +1.5/-1.5                     |

### 30.3.1.2 BREAK Character

The BREAK character is used to reset the internal state of the UPDI to the default setting. This is useful if the UPDI enters an error state due to a communication error, or when the synchronization between the debugger and the UPDI is lost.

To ensure that a BREAK is successfully received by the UPDI in all cases, the debugger should send two consecutive BREAK characters. If a single BREAK is sent while the UPDI is receiving or transmitting (possibly at a very low baud rate), the UPDI will not detect it. However, this will cause a frame error (RX) or contention error (TX), and abort the ongoing operation. Then, the UPDI will detect the next BREAK. The first BREAK will be detected if the UPDI is idle.

No SYNCH character is required before the BREAK because the BREAK is used to reset the UPDI from any state. This means that the UPDI will sample the BREAK with the last baud rate setting and be derived from the last valid SYNCH character. If the communication error was caused by an incorrect sampling of the SYNCH character, the device will not know the baud rate. To ensure that the BREAK will be detected in all cases, the recommended BREAK duration should be 12-bit times the bit duration at the lowest possible baud rate (8192 times the CLK\_PER) as shown in [Table 30-3](#).

**Table 30-3. Recommended BREAK Character Duration**

| UPDICKSEL[1:0]        | Recommended BREAK Character Duration |
|-----------------------|--------------------------------------|
| 0x1 (16 MHz)          | 6.15 ms                              |
| 0x2 (8 MHz)           | 12.30 ms                             |
| 0x3 (4 MHz) - Default | 24.60 ms                             |

### 30.3.1.3 SYNCH Character

The SYNCH character has eight bits and follows the regular UPDI frame format. It has a fixed value of 0x55. The SYNCH character has two main purposes:

1. It acts as the enabling character for the UPDI after a disable.
2. It is used by the Baud Rate Generator to set the baud rate for the subsequent transmission. If an invalid SYNCH character is sent, the next transmission will not be sampled correctly.

#### 30.3.1.3.1 SYNCH in One-Wire Mode

The SYNCH character is used before each new instruction. When using the REPEAT instruction, the SYNCH character is expected only before the first instruction after REPEAT.

The SYNCH is a known character which, through its property of toggling for each bit, allows the UPDI to measure how many UPDI clock cycles are needed to sample the 8-bit SYNCH pattern. The information obtained through the sampling is used to provide Asynchronous Clock Recovery and Asynchronous Data Recovery on reception, and to keep the baud rate of the connected programmer when doing transmit operations.

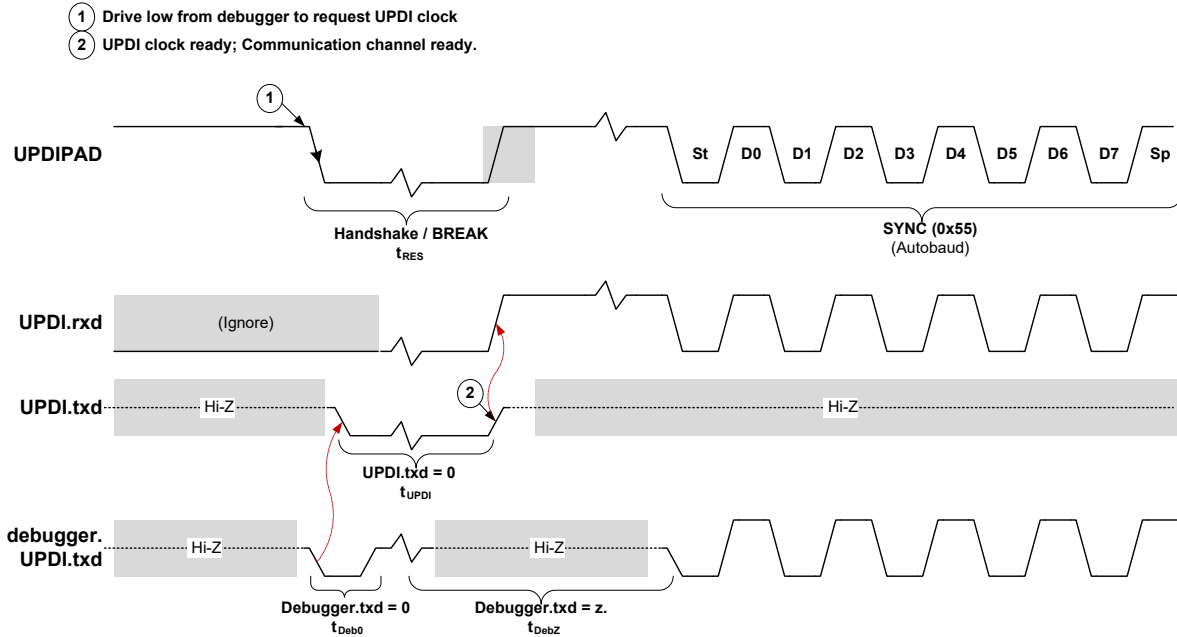
### 30.3.2 Operation

The UPDI must be enabled before the UART communication can start.

#### 30.3.2.1 UPDI Enable

The dedicated UPDI pad is configured as an input with pull-up. When the pull-up is detected by a connected debugger, the UPDI enable sequence, as depicted below, is started.

**Figure 30-4. UPDI Enable Sequence**



**Table 30-4. Timing in the Figure**

| Timing Label | Max.        | Min.        |
|--------------|-------------|-------------|
| $t_{RES}$    | 200 $\mu$ s | 10 $\mu$ s  |
| $t_{UPDI}$   | 200 $\mu$ s | 10 $\mu$ s  |
| $t_{Deb0}$   | 1 $\mu$ s   | 200 ns      |
| $t_{DebZ}$   | 14 ms       | 200 $\mu$ s |

When the pull-up is detected, the debugger initiates the enable sequence by driving the line low for a duration of  $t_{Deb0}$ .

The negative edge is detected by the UPDI, which starts the UPDI clock. The UPDI will continue to drive the line low until the clock is stable and ready for the UPDI to use. The duration of  $t_{UPDI}$  will vary, depending on the status of the oscillator when the UPDI is enabled. After this duration, the data line will be released by the UPDI and pulled high.

When the debugger detects that the line is high, the initial SYNCH character (0x55) must be transmitted to synchronize the UPDI communication data rate. If the Start bit of the SYNCH character is not sent within maximum  $t_{DebZ}$ , the UPDI will disable itself, and the UPDI enabling sequence must be re-initiated. The UPDI is disabled if the timing is violated to avoid the UPDI being enabled unintentionally.

After successful SYNCH character transmission, the first instruction frame can be transmitted.

#### 30.3.2.2 UPDI Disable

Any programming or debug session should be terminated by writing the UPDI Disable (UPDIDIS) bit in UPDI.CTRLB. Writing this bit will reset the UPDI including any decoded KEYS (see [30.3.7 Enabling of Key Protected Interfaces](#))



and disable the oscillator request for the module. If the disable operation is not performed, the UPDI and the oscillators request will remain enabled. This causes power consumption increased for the application.

During the enable sequence the UPDI can disable itself in case of a faulty enable sequence. There are two cases that will cause an automatic disable:

- A SYNCH character is not sent within 13.5 ms after the initial enable pulse described in [30.3.2.1 UPDI Enable](#).
- The first SYNCH character after an initiated enable is too short or too long to be detected as a valid SYNCH character. See [Table 30-1](#) for recommended baud rate operating ranges.

### 30.3.2.3 UPDI Communication Error Handling

The UPDI contains a comprehensive error detection system that provides information to the debugger when recovering from an error scenario. The error detection consists of detecting physical transmission errors like parity error, contention error, and frame error, to more high-level errors like access time-out error. See the UPDI Error Signature (PESIG) bit field in the Status B (UPDI.STATUSB) register for an overview of the available error signatures.

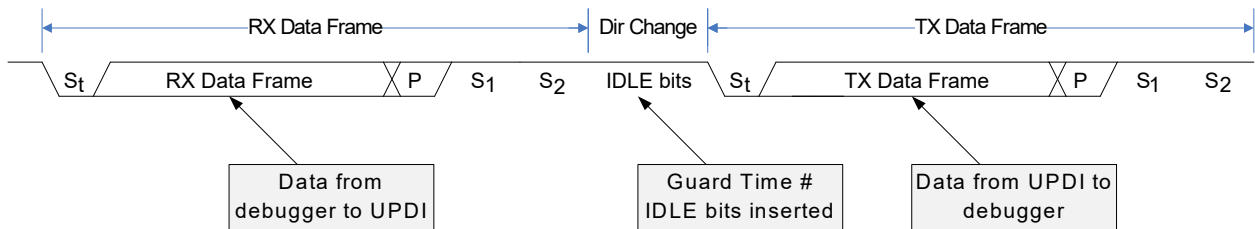
Whenever the UPDI detects an error, it will immediately enter an internal Error state to avoid unwanted system communication. In the Error state, the UPDI will ignore all incoming data requests, except when a BREAK character is received. The following procedure must always be applied when recovering from an Error condition.

1. Send a BREAK character. See section *BREAK Character* for recommended BREAK character handling.
2. Send a SYNCH character at the desired baud rate for the next data transfer.
3. Execute a Load Control Status (LDLCS) instruction to read the UPDI Error Signature (PESIG) bit field in the Status B (UPDI.STATUSB) register and get the information about the occurred error.
4. The UPDI has now recovered from the Error state and is ready to receive the next SYNCH character and instruction.

### 30.3.2.4 Direction Change

To ensure correct timing for a half-duplex UART operation, the UPDI has a built-in guard time mechanism to relax the timing when changing direction from RX to TX mode. The guard time is represented by Idle bits inserted before the next Start bit of the first response byte is transmitted. The number of Idle bits can be configured through the Guard Time Value (GTVAL) bit field in the Control A (UPDI.CTRLA) register. The duration of each Idle bit is given by the baud rate used by the current transmission.

**Figure 30-5. UPDI Direction Change by Inserting Idle Bits**



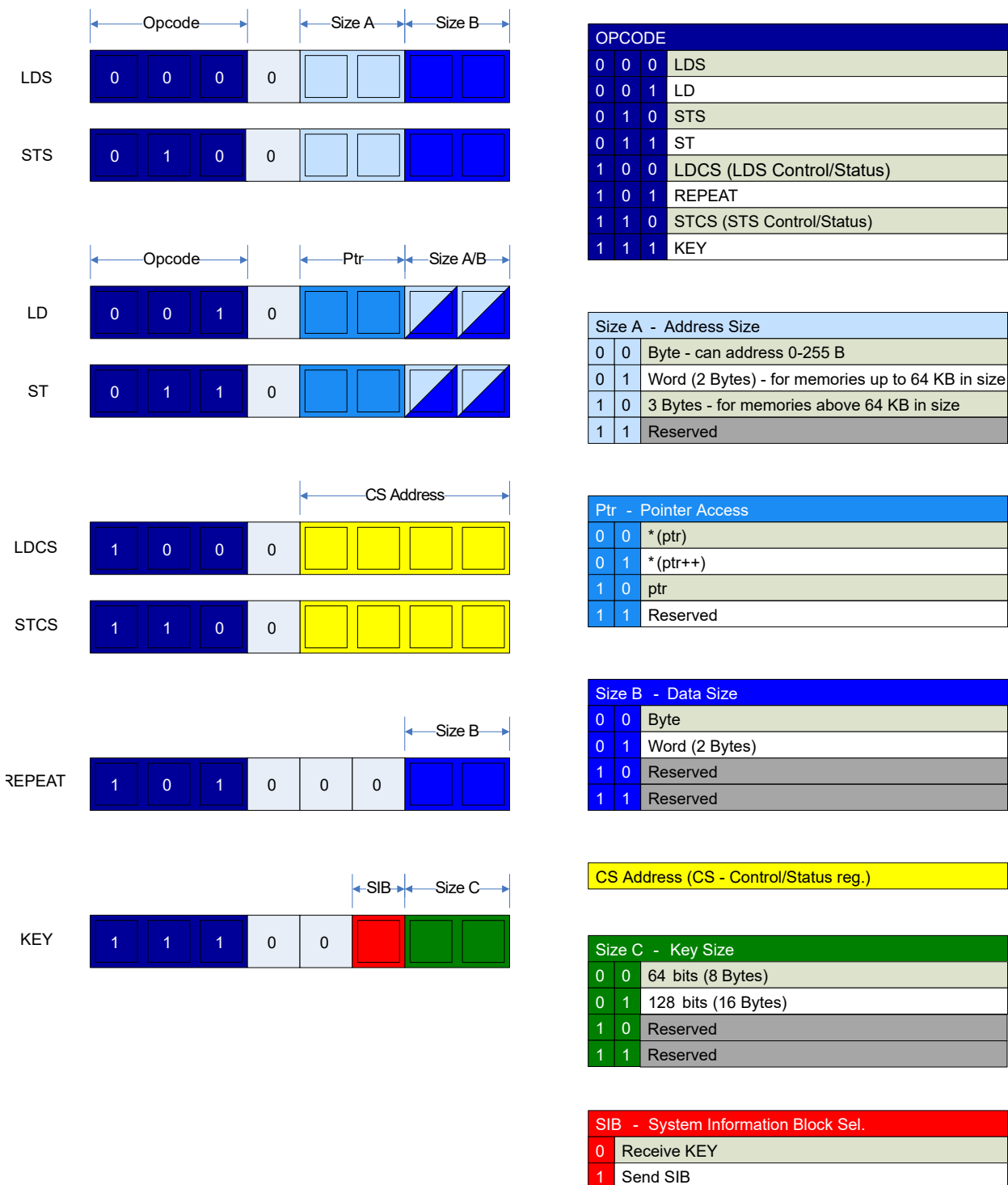
The UPDI guard time is the minimum Idle time that the connected debugger will experience when waiting for data from the UPDI. The maximum Idle time is the same as time-out. The Idle time before a transmission will be more than the expected guard time when the synchronization time plus the data bus accessing time is longer than the guard time.

It is recommended to always use the insertion of minimum two Guard Time bits on the UPDI side, and one guard time cycle insertion from the debugger side.

### 30.3.3 UPDI Instruction Set

The communication through the UPDI is based on a small instruction set. These instructions are part of the UPDI Data Link (DL) layer. The instructions are used to access the UPDI registers, since they are mapped into an internal memory space called "ASI Control and Status (CS) space", as well as the memory-mapped system space. All instructions are byte instructions and must be preceded by a SYNCH character to determine the baud rate for the communication. See section *UPDI UART* for information about setting the baud rate for the transmission. The following figure gives an overview of the UPDI instruction set.

Figure 30-6. UPDI Instruction Set Overview



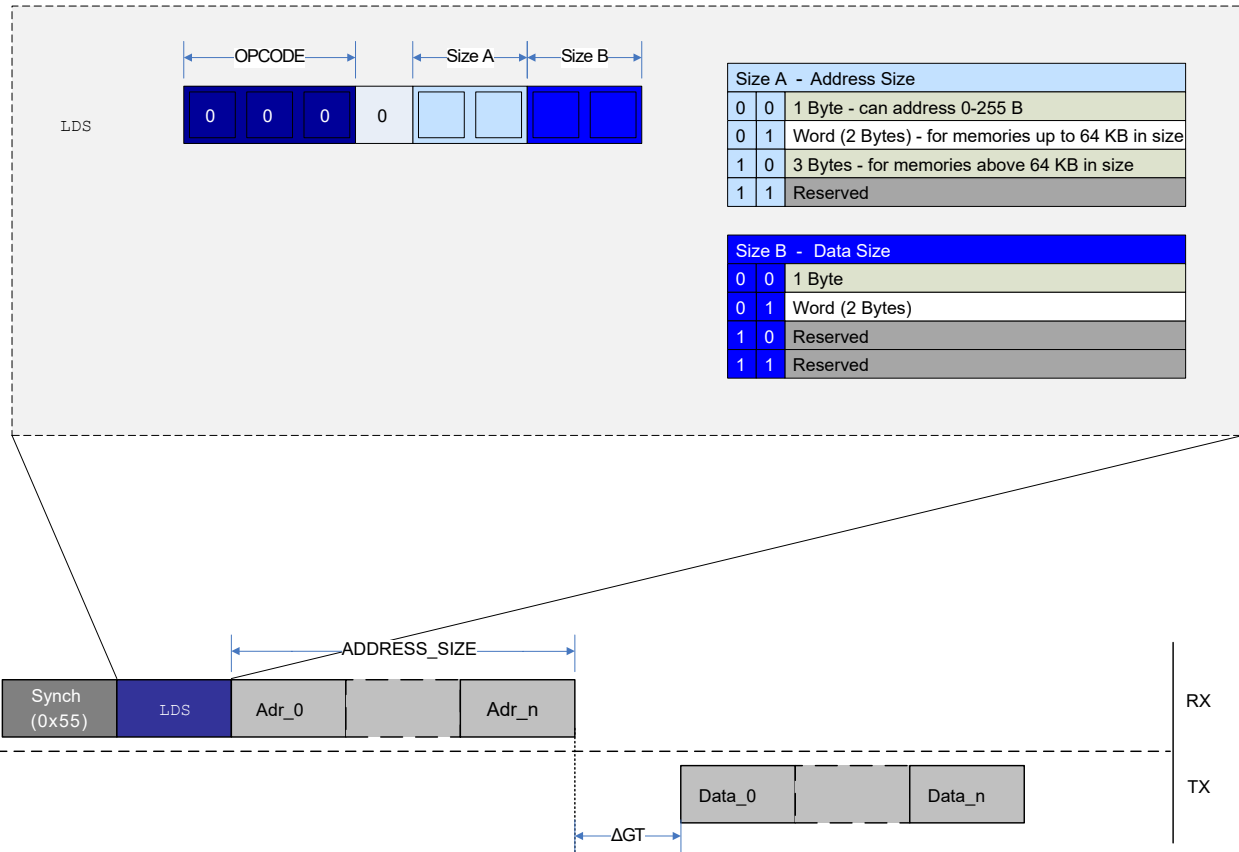
### 30.3.3.1 LDS - Load Data from Data Space Using Direct Addressing

The `LDS` instruction is used to load data from the system bus into the PHY layer shift register for serial readout. The `LDS` instruction is based on direct addressing, and the address must be given as an operand to the instruction for the

data transfer to start. The maximum supported size for the address and data is 32 bits. The `LDS` instruction supports repeated memory access when combined with the `REPEAT` instruction.

After issuing the `LDS` instruction, the number of desired address bytes, as indicated by the Size A field followed by the output data size, which is selected by the Size B field, must be transmitted. The output data is issued after the specified Guard Time (GT). When combined with the `REPEAT` instruction, the address must be sent in for each iteration of the repeat, meaning after each time the output data sampling is done. There is no automatic address increment when using `REPEAT` with `LDS`, as it uses a direct addressing protocol.

**Figure 30-7. LDS Instruction Operation**



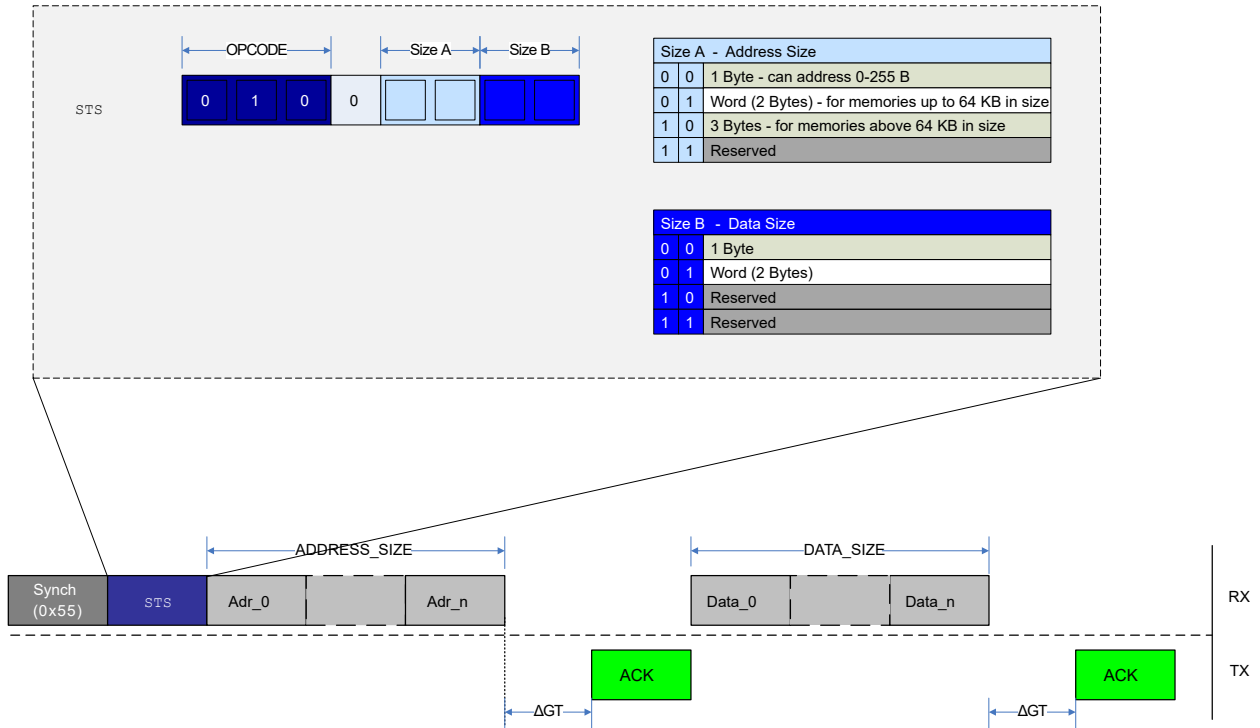
When the instruction is decoded, and the address byte(s) are received as dictated by the decoded instruction, the DL layer will synchronize all required information to the ACC layer, which will handle the bus request and synchronize data buffered from the bus back again to the DL layer. This will create a synchronization delay that must be taken into consideration upon receiving the data from the UPDI.

### 30.3.3.2 STS - Store Data to Data Space Using Direct Addressing

The `STS` instruction is used to store data that are shifted serially into the PHY layer shift register to the system bus address space. The `STS` instruction is based on direct addressing, and the address must be given as an operand to the instruction for the data transfer to start. The address is the first set of operands, and data are the second set. The size of the address and data operands are given by the size fields presented in [Figure 30-8](#). The maximum size for both address and data is 32 bits.

The `STS` supports repeated memory access when combined with the `REPEAT` instruction.

Figure 30-8. STS Instruction Operation



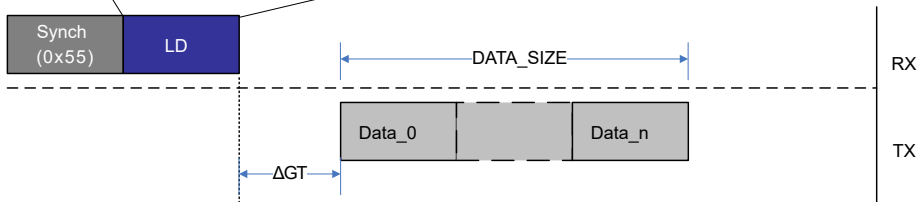
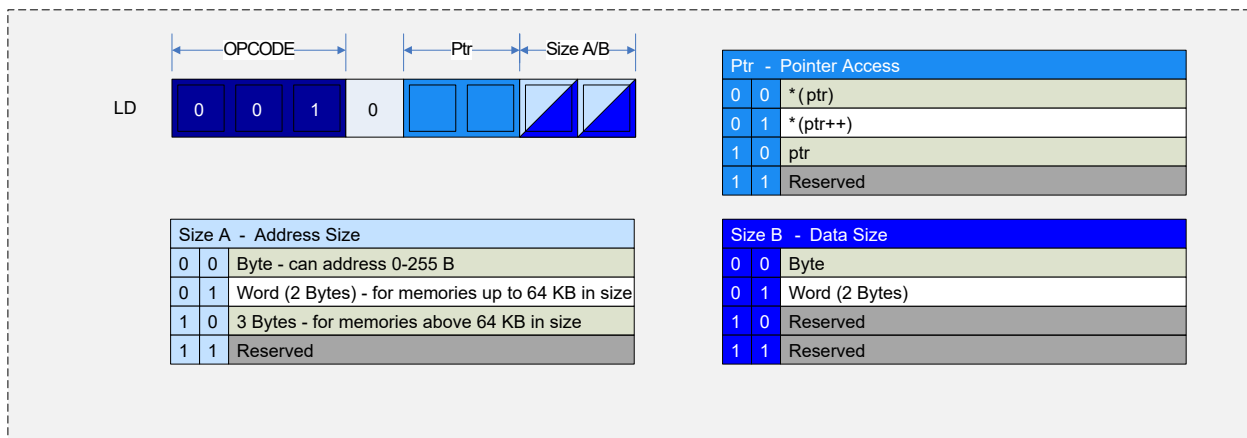
The transfer protocol for an STS instruction is depicted in Figure 30-8, following this sequence:

1. The address is sent.
2. An Acknowledge (ACK) is sent back from the UPDI if the transfer was successful.
3. The number of bytes, as specified in the STS instruction, is sent.
4. A new ACK is received after the data have been successfully transferred.

### 30.3.3.3 LD - Load Data from Data Space Using Indirect Addressing

The LD instruction is used to load data from the data space and into the PHY layer shift register for serial readout. The LD instruction is based on indirect addressing, which means that the Address Pointer in the UPDI needs to be written before the data space read access. Automatic pointer post-increment operation is supported and is useful when the LD instruction is utilized with the REPEAT instruction. It is also possible to do an LD from the UPDI Pointer register. The maximum supported size for address and data load is 32 bits.

**Figure 30-9. LD Instruction Operation**



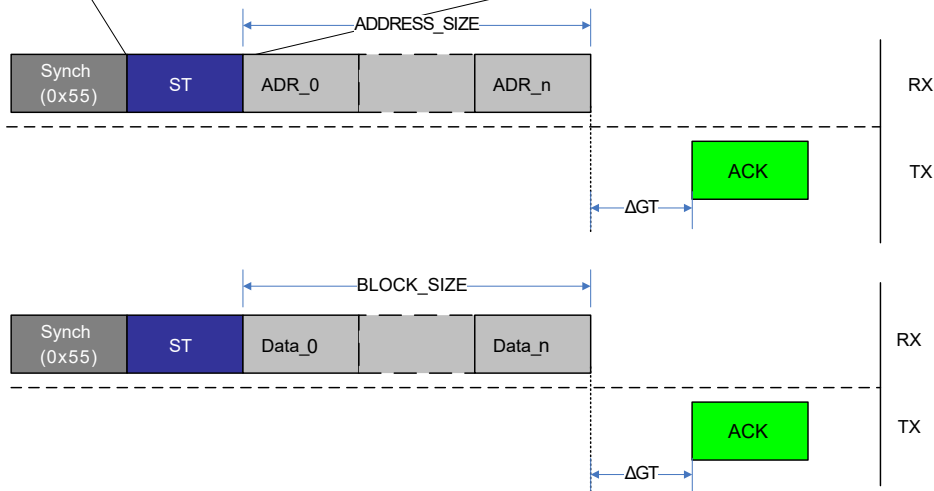
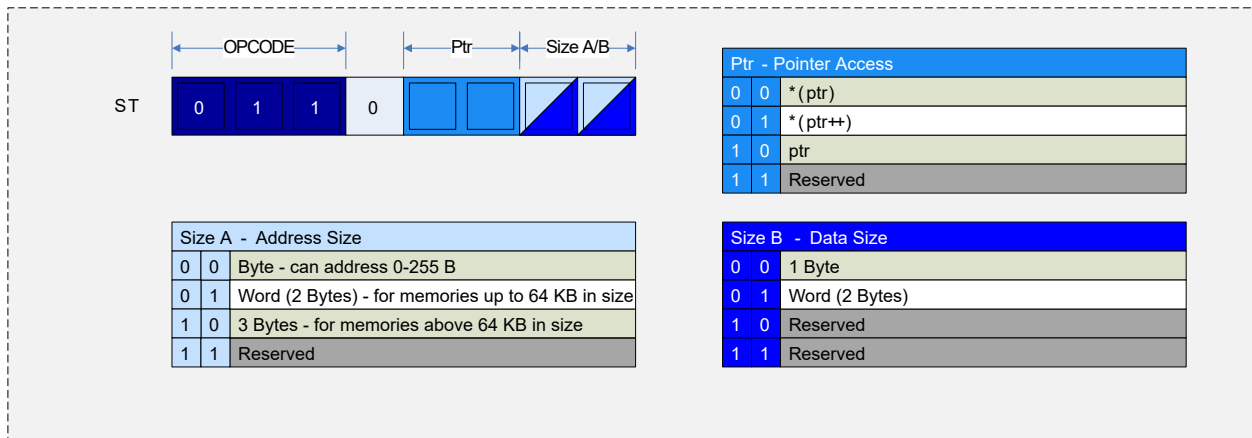
The figure above shows an example of a typical LD sequence, where the data are received after the Guard Time (GT) period. Loading data from the UPDI Pointer register follows the same transmission protocol.

For the LD instruction from the data space, the pointer register must be set up by using an ST instruction to the UPDI Pointer register. After the ACK has been received on a successful Pointer register write, the LD instruction must be set up with the desired DATA SIZE operands. An LD to the UPDI Pointer register is done directly with the LD instruction.

### 30.3.3.4 ST - Store Data from UPDI to Data Space Using Indirect Addressing

The ST instruction is used to store data from the UPDI PHY shift register to the data space. The ST instruction is used to store data that are shifted serially into the PHY layer. The ST instruction is based on indirect addressing, which means that the Address Pointer in the UPDI needs to be written before the data space. The automatic pointer post-increment operation is supported and is useful when the ST instruction is utilized with the REPEAT instruction. The ST instruction is also used to store the UPDI Address Pointer into the Pointer register. The maximum supported size for storing address and data is 32 bits.

**Figure 30-10. ST Instruction Operation**



The figure above gives an example of an ST instruction to the UPDI Pointer register and the storage of regular data. A SYNCH character is sent before each instruction. In both cases, an Acknowledge (ACK) is sent back by the UPDI if the ST instruction was successful.

To write the UPDI Pointer register, the following procedure has to be followed:

1. Set the PTR field in the ST instruction to signature 0x2.
2. Set the address size (Size A) field to the desired address size.
3. After issuing the ST instruction, send Size A bytes of address data.
4. Wait for the ACK character, which signifies a successful write to the Address register.

After the Address register is written, sending data is done in a similarly:

1. Set the PTR field in the ST instruction to signature 0x0 to write to the address specified by the UPDI Pointer register. If the PTR field is set to 0x1, the UPDI pointer is automatically updated to the next address according to the data size Size B field of the instruction after the write is executed.
2. Set the Size B field in the instruction to the desired data size.
3. After sending the ST instruction, send Size B bytes of data.
4. Wait for the ACK character, which signifies a successful write to the bus matrix.

When used with the `REPEAT` instruction, it is recommended to set up the Address register with the start address for the block to be written and use the Pointer Post Increment register to automatically increase the address for each repeat cycle. When using the `REPEAT` instruction, the data frame of Size B data bytes can be sent after each received ACK.

### 30.3.3.5 LDCS - Load Data from Control and Status Register Space

The `LDCS` instruction is used to load serial readout data from the UPDI Control and the Status register space located in the DL layer into the PHY layer shift register. The `LDCS` instruction is based on direct addressing, where the address is part of the instruction operands. The `LDCS` instruction can access only the UPDI CS register space. This instruction supports only byte access, and the data size is not configurable.

**Figure 30-11. LDCS Instruction Operation**

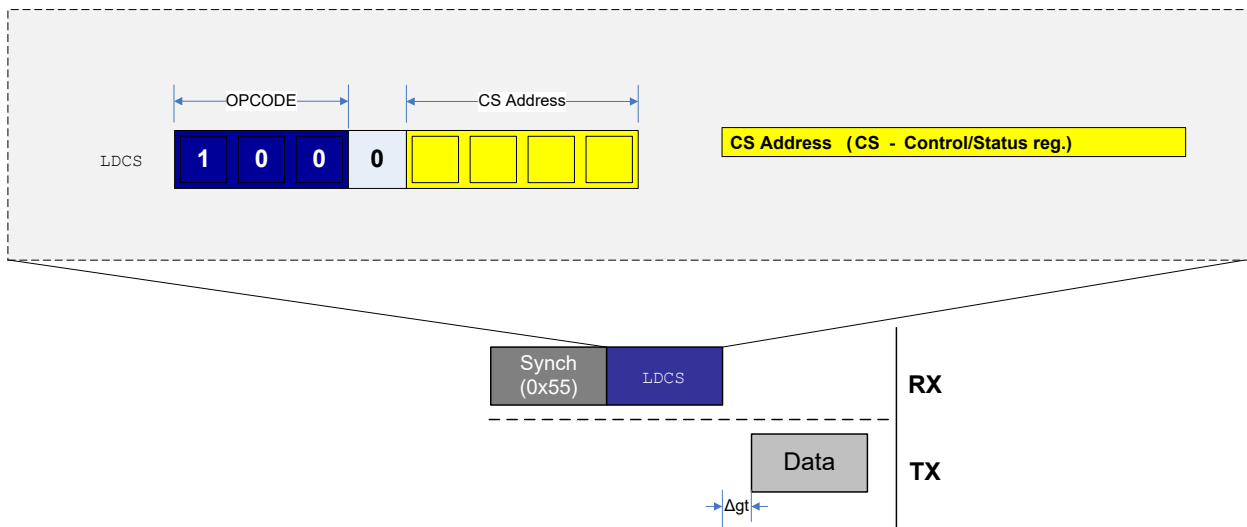


Figure 30-11 shows a typical example of `LDCS` data transmission. A data byte from the `LDCS` is transmitted from the UPDI after the guard time is completed.

### 30.3.3.6 STCS - Store Data to Control and Status Register Space

The `STCS` instruction is used to store data to the UPDI Control and Status register space. Data are shifted in serially into the PHY layer shift register and written as a whole byte to a selected CS register. The `STCS` instruction is based on direct addressing, where the address is part of the instruction operand. The `STCS` instruction can access only the internal UPDI register space. This instruction supports only byte access, and the data size is not configurable.

**Figure 30-12. STCS Instruction Operation**

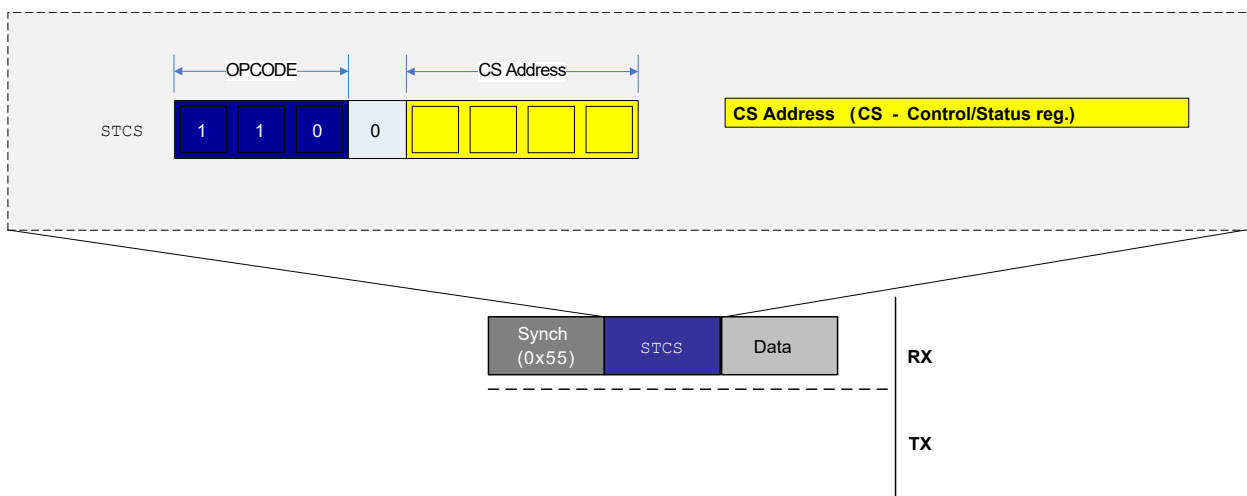


Figure 30-12 shows the data frame transmitted after the SYNCH character and the instruction frames. The STCS instruction byte can be immediately followed by the data byte. There is no response generated from the STCS instruction, as is the case for the ST and STS instructions.

### 30.3.3.7 REPEAT - Set Instruction Repeat Counter

The REPEAT instruction is used to store the repeat count value into the UPDI Repeat Counter register on the DL layer. When instructions are used with REPEAT, the protocol overhead for SYNCH and instruction frame can be omitted on all instructions except the first instruction after the REPEAT is issued. REPEAT is most useful for memory instructions (LD, ST, LDS, STS), but all instructions can be repeated, except for the REPEAT instruction itself.

The DATA\_SIZE operand field refers to the size of the repeat value. Only up to 255 repeats are supported. The instruction loaded directly after the REPEAT instruction will be issued for RPT\_0 + 1 times. If the Repeat Counter register is '0', the instruction will run just once. An ongoing repeat can be aborted only by sending a BREAK character.

Figure 30-13. REPEAT Instruction Operation used with ST Instruction

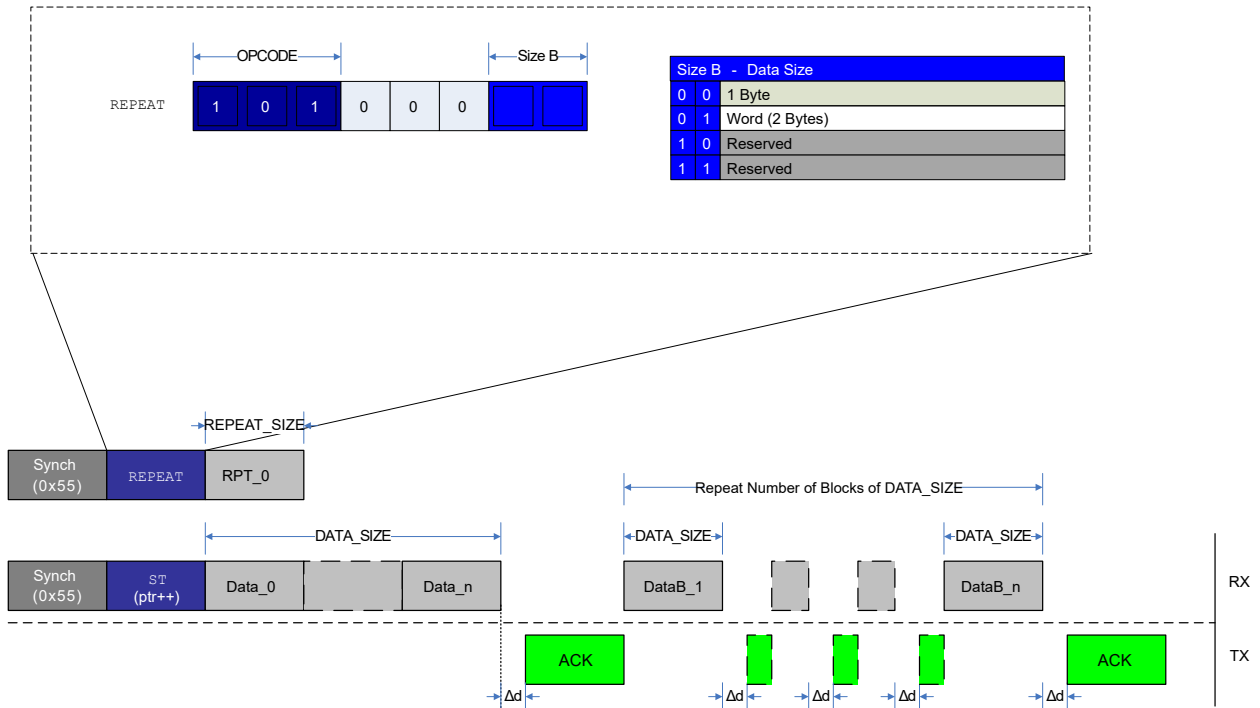
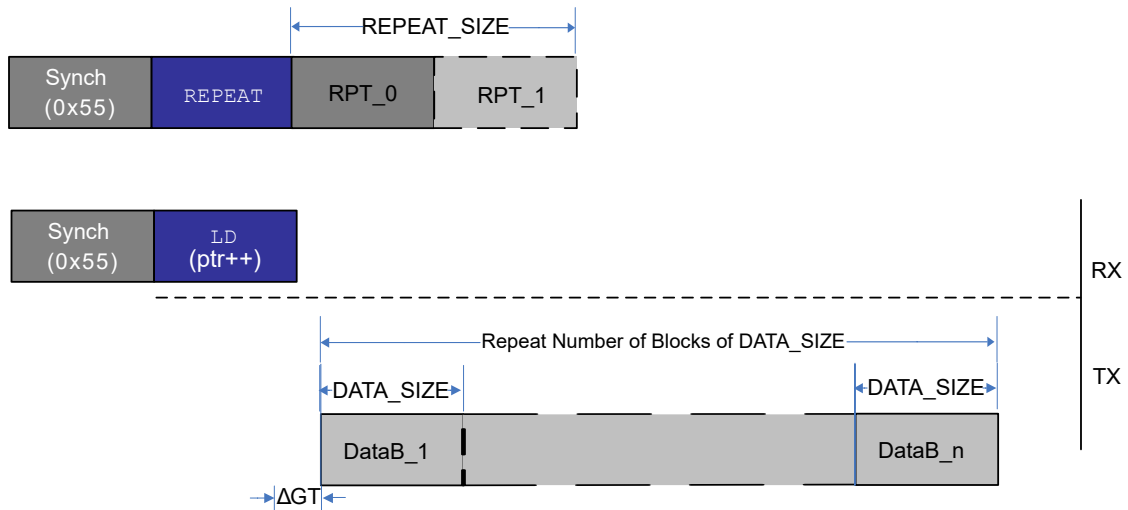


Figure 30-13 gives an example of a repeat operation with an ST instruction using pointer post-increment operation. After the REPEAT instruction is sent with RPT\_0 = n, the first ST instruction is issued with SYNCH and instruction frame, while the next n ST instructions are executed by only sending data bytes according to the ST operand DATA\_SIZE, and maintaining the Acknowledge (ACK) handshake protocol.



**Figure 30-14. REPEAT used with LD Instruction**



For LD, data will come out continuously after the LD instruction. Note the guard time on the first data block.

If using indirect addressing instructions (LD/ST), it is recommended to always use the pointer post-increment option when combined with REPEAT. The ST/LD instruction is necessary only before the first data block (number of data bytes determined by DATA\_SIZE). Otherwise, the same address will be accessed in all repeated access operations. For direct addressing instructions (LDS/STS), the address must always be transmitted as specified in the instruction protocol, before data can be received (LDS) or sent (STS).

### 30.3.3.8 KEY - Set Activation Key or Send System Information Block

The KEY instruction is used for communicating key bytes to the UPDI or for providing the programmer with a System Information Block (SIB), opening up for executing protected features on the device. See *Key Activation Overview* for an overview of functions that are activated by keys. For the KEY instruction, only a 64-bit key size is supported. The maximum supported size for SIB is 128 bits.

Figure 30-15. KEY Instruction Operation

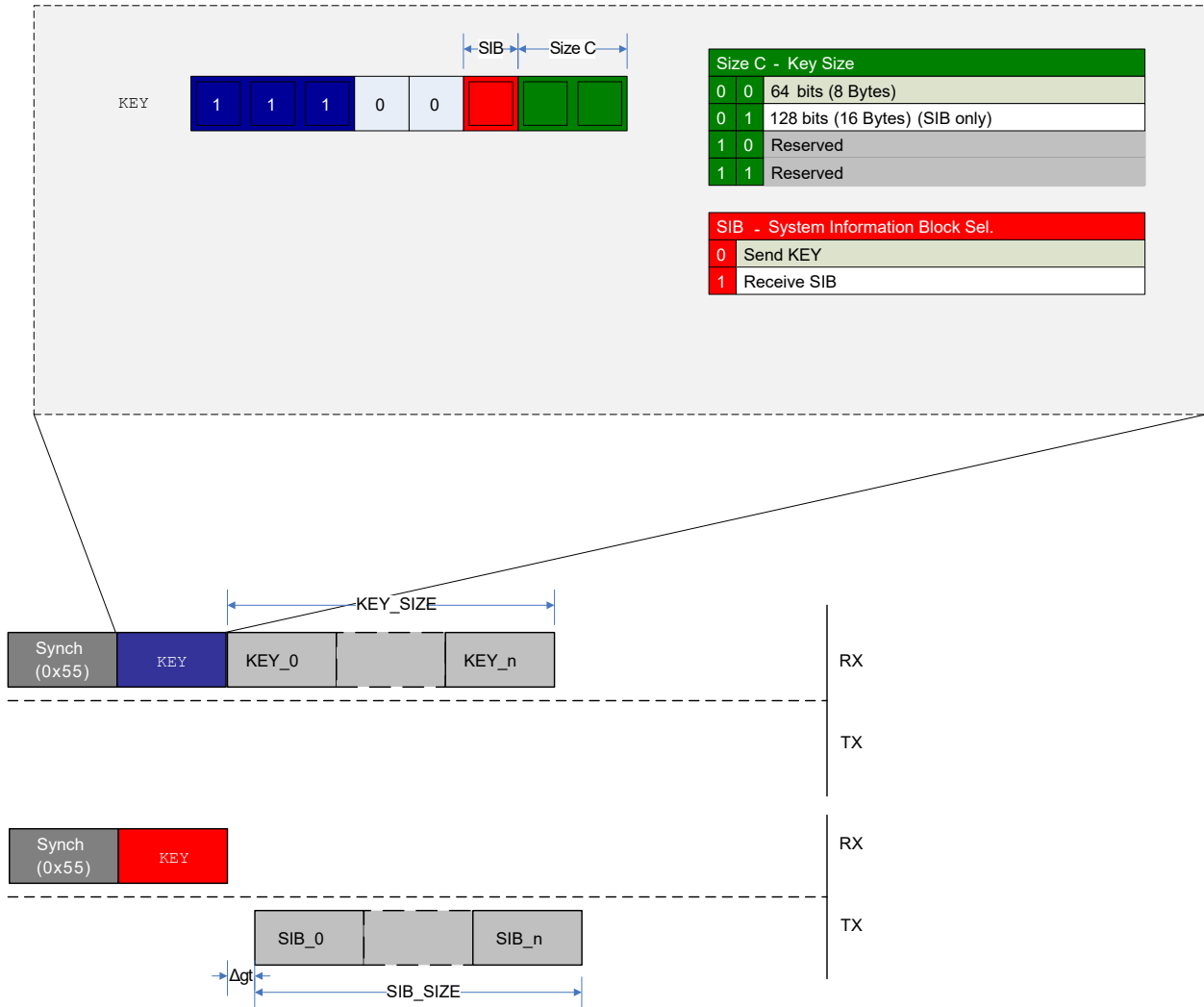


Figure 30-15 shows the transmission of a key and the reception of a SIB. In both cases, the Size C (`SIZE_C`) field in the operand determines the number of frames being sent or received. There is no response after sending a `KEY` to the UPDI. When requesting the SIB, data will be transmitted from the UPDI according to the current guard time setting.

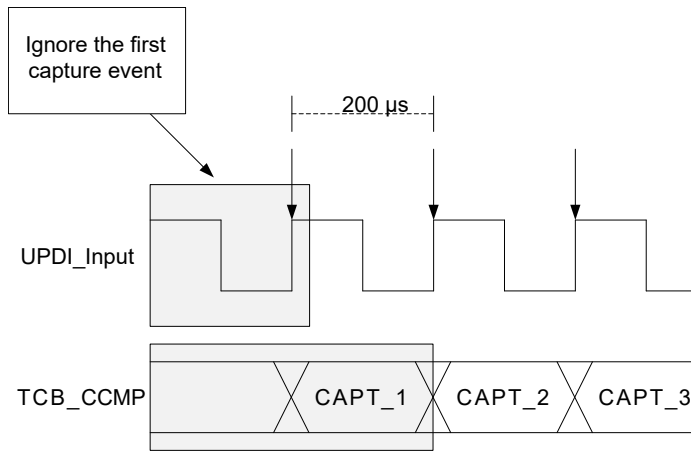
### 30.3.4 System Clock Measurement with UPDI

It is possible to use the UPDI to get an accurate measurement of the system clock frequency by utilizing the UPDI event connected to TCB with Input Capture capabilities. A recommended setup flow for this feature is given by the following steps:

- Set up `TCBn.CTRLB` with setting `CNTMODE = 0x3`, Input Capture Frequency Measurement mode
- Write `CAPTEI = 1` in `TCBn.EVCTRL` to enable Event Interrupt. Keep `EDGE = 0` in `TCBn.EVCTRL`
- Configure the Event System to route the UPDI SYNCH event (generator) to the TCB (user)
- For the SYNCH character used to generate the UPDI events, it is recommended to use a slow baud rate in the range of 10-50 kbps to get a more accurate measurement of the value captured by the timer between each UPDI event. One particular thing is that if the capture is set up to trigger an interrupt, the first captured value must be ignored. The second captured value based on the input event must be used for the measurement. See Figure 30-16 for an example using 10 kbps UPDI SYNCH character pulses, giving a capture window of 200 μs for the timer.

- It is possible to read out the captured value directly after the SYNCH character by reading the TCBn.CCMP register, or the value can be written to memory by the CPU once the capture is done. For more details, refer to the *TCB - 16-bit Timer/Counter Type B* section.

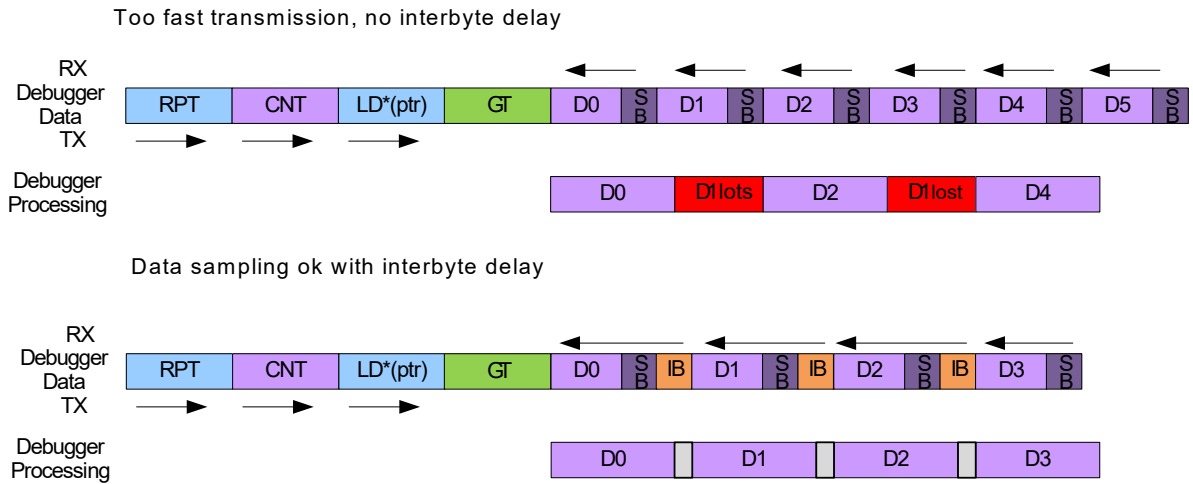
Figure 30-16. UPDI System Clock Measurement Events



### 30.3.5 Interbyte Delay

When loading data with the UPDI, or reading out the System Information Block, the output data will normally come out with two IDLE bits between each transmitted byte for a multibyte transfer. Depending on the application on the receiver side, data might be coming out too fast when there are no extra IDLE bits between each byte. By enabling the IBDLY feature in UPDI.CTRLB, two extra Stop bits will be inserted between each byte to relax the sampling time for the debugger. Interbyte delay works in the same way as a guard time, by inserting extra IDLE bits, but only a fixed number of IDLE bits and only for multibyte transfers. The first transmitted byte after a direction change will be subject to the regular Guard Time before it is transmitted, and the interbyte delay is not added to this time.

Figure 30-17. Interbyte Delay Example with LD and RPT



In Figure 30-17, GT denotes the Guard Time insertion, SB is for Stop Bit and IB is the inserted interbyte delay. The rest of the frames are data and instructions.

### 30.3.6 System Information Block

The System Information Block (SIB) can be read out at any time by setting the SIB bit according to the `KEY` instruction from 30.3.3.8 [KEY - Set Activation Key or Send System Information Block](#). The SIB is always accessible to the debugger, regardless of lock bit settings, and provides a compact form of supplying information about the device and system parameters for the debugger. The information is vital in identifying and setting up the proper communication channel with the device. The output of the SIB is interpreted as ASCII symbols. The key size field

must be set to 16 bytes when reading out the complete SIB, and an 8-byte size can be used to read out only the Family\_ID. See [Figure 30-18](#) for SIB format description and which data are available at different readout sizes.

**Figure 30-18. System Information Block Format**

| 16 | 8             | [Byte][Bits] | Field Name |
|----|---------------|--------------|------------|
| 16 | 8             | [6:0] [55:0] | Family_ID  |
|    |               | [7][7:0]     | Reserved   |
|    | [10:8][23:0]  | NVM_VERSION  |            |
|    | [13:11][23:0] | OCD_VERSION  |            |
|    | [14][7:0]     | RESERVED     |            |
|    | [15][7:0]     | DBG_OSC_FREQ |            |

### 30.3.7 Enabling of Key Protected Interfaces

The access to some internal interfaces and features is protected by the UPDI key mechanism. To activate a key, the correct key data must be transmitted by using the `KEY` instruction, as described in [30.3.3.8 KEY - Set Activation Key or Send System Information Block](#). [Table 30-5](#) describes the available keys and the condition required when doing the operation with the key active.

**Table 30-5. Key Activation Overview**

| Key Name      | Description                               | Requirements for Operation                       | Conditions for Key Invalidation        |
|---------------|---|--|--|
| Chip Erase    | Start NVM chip erase. Clear lock bits     | -  | UPDI Disable/UPDI Reset                |
| NVMPROG       | Activate NVM Programming                  | Lock bits cleared.<br>ASI_SYS_STATUS.NVMPROG set | Programming done/UPDI Reset            |
| USERROW-Write | Program the user row on the locked device | Lock bits set.<br>ASI_SYS_STATUS.UROWPROG set    | Write to key Status bit/<br>UPDI Reset |

[Table 30-6](#) gives an overview of the available key signatures that must be shifted in to activate the interfaces.

**Table 30-6. Key Activation Signatures**

| Key Name      | Key Signature (LSB Written First) | Size    |
|---------------|-----------------------------------|---------|
| Chip Erase    | 0x4E564D4572617365                | 64 bits |
| NVMPROG       | 0x4E564D50726F6720                | 64 bits |
| USERROW-Write | 0x4E564D5573267465                | 64 bits |

#### 30.3.7.1 Chip Erase

The following steps should be followed to issue a chip erase:

1. Enter the Chip Erase key by using the `KEY` instruction. See [Table 30-6](#) for the CHIPERASE signature.
2. **Optional:** Read the Chip Erase (CHIPERASE) bit in the ASI Key Status (UPDI.ASI\_KEY\_STATUS) register to see that the key is successfully activated.
3. Write the signature to the Reset Request (RSTREQ) bit in the ASI Reset Request (UPDI.ASI\_RESET\_REQ) register. This will issue a System Reset.
4. Write `0x00` to the ASI Reset Request (UPDI.ASI\_RESET\_REQ) register to clear the System Reset.
5. Read the NVM Lock Status (LOCKSTATUS) bit from the ASI System Status (UPDI.ASI\_SYS\_STATUS) register.
6. The chip erase is done when LOCKSTATUS bit is '0'. If the LOCKSTATUS bit is '1', return to step 5.

After a successful Chip Erase, the Lockbits will be cleared, and the UPDI will have full access to the system. Until Lockbits are cleared, the UPDI cannot access the system bus, and only CS-space operations can be performed.



During chip erase, the BOD is forced in ON state by writing to the Active (ACTIVE) bit field from the Control A (BOD.CTRLA) register and uses the BOD Level (LVL) bit field from the BOD Configuration (FUSE.BODCFG) fuse and the BOD Level (LVL) bit field from the Control B (BOD.CTRLB) register. If the supply voltage  $V_{DD}$  is below that threshold level, the device is unavailable until  $V_{DD}$  is increased adequately. See the *BOD* section for more details.

### 30.3.7.2 NVM Programming

If the device is unlocked, it is possible to write directly to the NVM Controller or to the Flash memory using the UPDI. This will lead to unpredictable code execution if the CPU is active during the NVM programming. To avoid this, the following NVM Programming sequence has to be executed.

1. Follow the chip erase procedure, as described in *Chip Erase*. If the part is already unlocked, this point can be skipped.
2. Enter the NVMPROG key by using the `KEY` instruction. See [Table 30-6](#) for the NVMPROG signature.
3. **Optional:** Read the NVM Programming Key Status (NVMPROG) bit from the ASI Key Status (UPDI.KEY\_STATUS) register to see if the key has been activated.
4. Write the signature to the Reset Request (RSTREQ) bit in the ASI Reset Request (UPDI.ASI\_RESET\_REQ) register. This will issue a System Reset.
5. Write `0x00` to the ASI Reset Request (UPDI.ASI\_RESET\_REQ) register to clear the System Reset.
6. Read the NVM Programming Key Status (NVMPROG) bit from the ASI System Status (UPDI.ASI\_SYS\_STATUS) register.
7. NVM Programming can start when the NVMPROG bit is '1'. If the NVMPROG bit is '0', return to step 6.
8. Write data to NVM through the UPDI.
9. Write the signature to the Reset Request (RSTREQ) bit in the ASI Reset Request (UPDI.ASI\_RESET\_REQ) register. This will issue a System Reset.
10. Write `0x00` to the ASI Reset Request (UPDI.ASI\_RESET\_REQ) register to clear the System Reset.
11. Programming is complete.

### 30.3.7.3 User Row Programming

The User Row Programming feature allows programming new values to the user row (USERROW) on a locked device. To program with this functionality enabled, the following sequence must be followed:

1. Enter the USERROW-Write key located in [Table 30-6](#) by using the `KEY` instruction. See [Table 30-6](#) for the USERROW-Write signature.
2. **Optional:** Read the User Row Write Key Status (UROWWRITE) bit from the ASI Key Status (UPDI.ASI\_KEY\_STATUS) register to see if the key has been activated.
3. Write the signature to the Reset Request (RSTREQ) bit in the ASI Reset Request (UPDI.ASI\_RESET\_REQ) register. This will issue a System Reset.
4. Write `0x00` to the ASI Reset Request (UPDI.ASI\_RESET\_REQ) register to clear the System Reset.
5. Read the Start User Row Programming (UROWPROG) bit from the ASI System Status (UPDI.ASI\_SYS\_STATUS) register.
6. User Row Programming can start when the UROWPROG bit is '1'. If UROWPROG is '0', return to step 5.
7. The data to be written to the User Row must first be written to a buffer in the RAM. The writable area in the RAM has a size of 32 bytes, and it is only possible to write user row data to the first 32 byte addresses of the RAM. Addressing outside this memory range will result in a nonexecuted write. The data will map 1:1 with the user row space when the data is copied into the user row upon completion of the Programming sequence.
8. When all user row data has been written to the RAM, write the User Row Programming Done (UROWDONE) bit in the ASI System Control A (UPDI.ASI\_SYS\_CTRLA) register.
9. Read the Start User Row Programming (UROWPROG) bit from the ASI System Status (UPDI.ASI\_SYS\_STATUS) register.
10. The User Row Programming is completed when UROWPROG bit is '0'. If UROWPROG bit is '1', return to step 9.
11. Write to the User Row Write Key Status (UROWWRITE) bit in the ASI Key Status (UPDI.ASI\_KEY\_STATUS) register.

12. Write the signature to the Reset Request (RSTREQ) bit in the ASI Reset Request (UPDI.ASI\_RESET\_REQ) register. This will issue a System Reset.
13. Write 0x00 to the ASI Reset Request (UPDI.ASI\_RESET\_REQ) register to clear the System Reset.
14. The User Row Programming is complete.

It is not possible to read back data from the RAM in this mode. Only writes to the first 32 bytes of the RAM are allowed.

### 30.3.8 Events

The UPDI can generate the following events:

**Table 30-7. Event Generators in UPDI**

| Generator Name |       | Description     | Event Type | Generating Clock Domain | Length of Event                                 |
|----------------|-------|-----------------|------------|-------------------------|---|
| Module         | Event |                 |            |                         |   |
| UPDI           | SYNCH | SYNCH character | Level      | CLK_UPDI                | SYNCH char on UPDI pin synchronized to CLK_UPDI |

This event is set on the UPDI clock for each detected positive edge in the SYNCH character, and it is not possible to disable this event from the UPDI.

The UPDI has no event users.

Refer to the *Event System* section for more details regarding event types and Event System configuration.

### 30.3.9 Sleep Mode Operation

The UPDI PHY layer runs independently of all sleep modes, and the UPDI is always accessible for a connected debugger independent of the device's sleep state. If the system enters a sleep mode that turns the system clock off, the UPDI will not be able to access the system bus and read memories and peripherals. When enabled, the UPDI will request the system clock so that the UPDI always has contact with the rest of the device. Thus, the UPDI PHY layer clock is unaffected by the sleep mode's settings. By reading the System Domain in Sleep (INSLEEP) bit in the ASI System Status (UPDI.ASI\_SYS\_STATUS) register, it is possible to monitor if the system domain is in a sleep mode.

It is possible to prevent the system clock from stopping when going into a sleep mode, by writing to the Request System Clock (CLKREQ) bit in the ASI System Control A (UPDI.ASI\_SYS\_CTRLA) register. If this bit is set, the system sleep mode state is emulated, and the UPDI can access the system bus and read the peripheral registers even in the deepest sleep modes.

The CLKREQ bit is by default '1' when the UPDI is enabled, which means that the default operation is keeping the system clock in ON state during the sleep modes.

### 30.4 Register Summary

| Offset | Name                           | Bit Pos. | 7            | 6 | 5         | 4       | 3         | 2        | 1               | 0          |
|--------|--------------------------------|----------|--------------|---|-----------|---------|-----------|----------|-----------------|------------|
| 0x00   | <a href="#">STATUSA</a>        | 7:0      | UPDIREV[3:0] |   |           |         |           |          |                 |            |
| 0x01   | <a href="#">STATUSB</a>        | 7:0      |              |   |           |         |           |          | PESIG[2:0]      |            |
| 0x02   | <a href="#">CTRLA</a>          | 7:0      | IBDLY        |   | PARD      | DTD     | RSD       |          | GTVAL[2:0]      |            |
| 0x03   | <a href="#">CTRLB</a>          | 7:0      |              |   |           | NACKDIS | CCDETDIS  | UPDIDIS  |                 |            |
| 0x04   | Reserved                       |          |              |   |           |         |           |          |                 |            |
| 0x06   |                                |          |              |   |           |         |           |          |                 |            |
| 0x07   | <a href="#">ASI_KEY_STATUS</a> | 7:0      |              |   | UROWWRITE | NVMPROG | CHIPERASE |          |                 |            |
| 0x07   | <a href="#">ASI_KEY_STATUS</a> | 7:0      |              |   | UROWWRITE | NVMPROG | CHIPERASE |          |                 |            |
| 0x08   | <a href="#">ASI_RESET_REQ</a>  | 7:0      | RSTREQ[7:0]  |   |           |         |           |          |                 |            |
| 0x09   | <a href="#">ASI_CTRLA</a>      | 7:0      |              |   |           |         |           |          | UPDICKSEL[1:0]  |            |
| 0x0A   | <a href="#">ASI_SYS_CTRLA</a>  | 7:0      |              |   |           |         |           |          | UROWWRITE_FINAL | CLKREQ     |
| 0x0B   | <a href="#">ASI_SYS_STATUS</a> | 7:0      |              |   | RSTSYS    | INSLEEP | NVMPROG   | UROWPROG |                 | LOCKSTATUS |
| 0x0C   | <a href="#">ASI_CRC_STATUS</a> | 7:0      |              |   |           |         |           |          | CRC_STATUS[2:0] |            |

### 30.5 Register Description

These registers are readable only through the UPDI with special instructions and are NOT readable through the CPU.

Registers at offset addresses 0x0-0x3 are the UPDI Physical configuration registers.

Registers at offset addresses 0x4-0xC are the ASI level registers.

### 30.5.1 Status A

**Name:** STATUSA  
**Offset:** 0x00  
**Reset:** 0x30  
**Property:** -

|        |              |   |   |   |   |   |   |   |
|--------|--------------|---|---|---|---|---|---|---|
| Bit    | 7            | 6 | 5 | 4 | 3 | 2 | 1 | 0 |
|        | UPDIREV[3:0] |   |   |   |   |   |   |   |
| Access | R            | R | R | R |   |   |   |   |
| Reset  | 0            | 0 | 1 | 1 |   |   |   |   |

**Bits 7:4 – UPDIREV[3:0]** UPDI Revision

This bit field contains the revision of the current UPDI implementation.



### 30.5.2 Status B

**Name:** STATUSB  
**Offset:** 0x01  
**Reset:** 0x00  
**Property:** -

|        |   |   |   |   |   |            |   |   |
|--------|---|---|---|---|---|------------|---|---|
| Bit    | 7 | 6 | 5 | 4 | 3 | 2          | 1 | 0 |
|        |   |   |   |   |   | PESIG[2:0] |   |   |
| Access |   |   |   |   |   | R          | R | R |
| Reset  |   |   |   |   |   | 0          | 0 | 0 |

#### Bits 2:0 – PESIG[2:0] UPDI Error Signature

This bit field describes the UPDI error signature and is set when an internal UPDI Error condition occurs. The PESIG bit field is cleared on a read from the debugger.

**Table 30-8. Valid Error Signatures**

| PESIG[2:0] | Error Type                  | Error Description                                      |
|------------|-----------------------------|--|
| 0x0        | No error                    | No error detected (Default)                            |
| 0x1        | Parity error                | Wrong sampling of the Parity bit                       |
| 0x2        | Frame error                 | Wrong sampling of the Stop bits                        |
| 0x3        | Access Layer Time-Out Error | UPDI can get no data or response from the Access layer |
| 0x4        | Clock Recovery error        | Wrong sampling of the Start bit                        |
| 0x5        | -                           | Reserved   |
| 0x6        | Bus error                   | Address error or access privilege error                |
| 0x7        | Contention error            | Signalize Driving Contention on the UPDI pin           |

### 30.5.3 Control A

**Name:** CTRLA  
**Offset:** 0x02  
**Reset:** 0x00  
**Property:** -

|        |       |   |      |     |     |     |            |     |
|--------|-------|---|------|-----|-----|-----|------------|-----|
| Bit    | 7     | 6 | 5    | 4   | 3   | 2   | 1          | 0   |
|        | IBDLY |   | PARD | DTD | RSD |     | GTVAL[2:0] |     |
| Access | R/W   |   | R/W  | R/W | R/W | R/W | R/W        | R/W |
| Reset  | 0     |   | 0    | 0   | 0   | 0   | 0          | 0   |

**Bit 7 – IBDLY** Inter-Byte Delay Enable

Writing a '1' to this bit enables a fixed-length inter-byte delay between each data byte transmitted from the UPDI when doing multibyte LD(S). The fixed length is two IDLE bits.

**Bit 5 – PARD** Parity Disable

Writing a '1' to this bit will disable the parity detection in the UPDI by ignoring the Parity bit. This feature is recommended to be used only during testing.

**Bit 4 – DTD** Disable Time-Out Detection

Writing a '1' to this bit will disable the time-out detection on the PHY layer, which requests a response from the ACC layer within a specified time (65536 UPDI clock cycles).

**Bit 3 – RSD** Response Signature Disable

Writing a '1' to this bit will disable any response signatures generated by the UPDI. This reduces the protocol overhead to a minimum when writing large blocks of data to the NVM space. When accessing the system bus, the UPDI may experience delays. If the delay is predictable, the response signature may be disabled. Otherwise, a loss of data may occur.

**Bits 2:0 – GTVAL[2:0]** Guard Time Value

This bit field selects the guard time value that will be used by the UPDI when the transmission direction switches from RX to TX.

| Value | Description                           |
|-------|---------------------------------------|
| 0x0   | UPDI guard time: 128 cycles (default) |
| 0x1   | UPDI guard time: 64 cycles            |
| 0x2   | UPDI guard time: 32 cycles            |
| 0x3   | UPDI guard time: 16 cycles            |
| 0x4   | UPDI guard time: 8 cycles             |
| 0x5   | UPDI guard time: 4 cycles             |
| 0x6   | UPDI guard time: 2 cycles             |
| 0x7   | Reserved                              |

### 30.5.4 Control B

**Name:** CTRLB  
**Offset:** 0x03  
**Reset:** 0x00  
**Property:** -

|        |   |   |   |         |          |         |   |   |
|--------|---|---|---|---------|----------|---------|---|---|
| Bit    | 7 | 6 | 5 | 4       | 3        | 2       | 1 | 0 |
|        |   |   |   | NACKDIS | CCDETDIS | UPDIDIS |   |   |
| Access |   |   |   | R/W     | R/W      | R/W     |   |   |
| Reset  |   |   |   | 0       | 0        | 0       |   |   |

**Bit 4 – NACKDIS** Disable NACK Response

Writing a '1' to this bit disables the NACK signature sent by the UPDI when a System Reset is issued during ongoing LD(S) and ST(S) operations.

**Bit 3 – CCDETDIS** Collision and Contention Detection Disable

Writing a '1' to this bit disables the contention detection. Writing a '0' to this bit enables the contention detection.

**Bit 2 – UPDIDIS** UPDI Disable

Writing a '1' to this bit disables the UPDI PHY interface. The clock request from the UPDI is lowered, and the UPDI is reset. All the UPDI PHY configurations and keys will be reset when the UPDI is disabled.

### 30.5.5 ASI Key Status

**Name:** ASI\_KEY\_STATUS  
**Offset:** 0x07  
**Reset:** 0x00  
**Property:** -

|        |   |   |           |         |           |   |   |   |
|--------|---|---|-----------|---------|-----------|---|---|---|
| Bit    | 7 | 6 | 5         | 4       | 3         | 2 | 1 | 0 |
|        |   |   | UROWWRITE | NVMPROG | CHIPERASE |   |   |   |
| Access |   |   | R/W       | R       | R         |   |   |   |
| Reset  |   |   | 0         | 0       | 0         |   |   |   |

**Bit 5 – UROWWRITE** User Row Write Key Status

This bit is set to '1' if the UROWWRITE key is successfully decoded. This bit must be written as the final part of the user row write procedure to correctly reset the programming session.

**Bit 4 – NVMPROG** NVM Programming Key Status

This bit is set to '1' if the NVMPROG key is successfully decoded. The bit is cleared when the NVM Programming sequence is initiated, and the NVMPROG bit in ASI\_SYS\_STATUS is set.

**Bit 3 – CHIPERASE** Chip Erase Key Status

This bit is set to '1' if the Chip Erase key is successfully decoded. The bit is cleared by the Reset Request issued as part of the Chip Erase sequence described in the *Chip Erase* section.

### 30.5.6 ASI Key Status

**Name:** ASI\_KEY\_STATUS  
**Offset:** 0x07  
**Reset:** 0x00  
**Property:** -

|        |   |   |           |         |           |   |   |   |
|--------|---|---|-----------|---------|-----------|---|---|---|
| Bit    | 7 | 6 | 5         | 4       | 3         | 2 | 1 | 0 |
|        |   |   | UROWWRITE | NVMPROG | CHIPERASE |   |   |   |
| Access |   |   | R/W       | R       | R         |   |   |   |
| Reset  |   |   | 0         | 0       | 0         |   |   |   |

**Bit 5 – UROWWRITE** User Row Write Key Status

This bit is set to '1' if the UROWWRITE KEY is active. Otherwise, this bit reads as '0'.

**Bit 4 – NVMPROG** NVM Programming

This bit is set to '1' if the NVMPROG KEY is active. This bit is automatically reset after the programming sequence is done. Otherwise, this bit reads as '0'.

**Bit 3 – CHIPERASE** Chip Erase

This bit is set to '1' if the CHIPERASE KEY is active. This bit will automatically be reset when the Chip Erase sequence is completed. Otherwise, this bit reads as '0'.

### 30.5.7 ASI Reset Request

**Name:** ASI\_RESET\_REQ  
**Offset:** 0x08  
**Reset:** 0x00  
**Property:** -

|        |             |     |     |     |     |     |     |     |
|--------|-------------|-----|-----|-----|-----|-----|-----|-----|
| Bit    | 7           | 6   | 5   | 4   | 3   | 2   | 1   | 0   |
|        | RSTREQ[7:0] |     |     |     |     |     |     |     |
| Access | R/W         | R/W | R/W | R/W | R/W | R/W | R/W | R/W |
| Reset  | 0           | 0   | 0   | 0   | 0   | 0   | 0   | 0   |

#### Bits 7:0 – RSTREQ[7:0] Reset Request

A Reset is signaled to the System when writing the Reset signature 0x59h to this address.

Writing any other signature to this register will clear the Reset.

When reading this register, reading bit RSTREQ[0] will tell if the UPDI is holding an active Reset on the system. If this bit is '1', the UPDI has an active Reset request to the system. All other bits will read as '0'.

The UPDI will not be reset when issuing a System Reset from this register.

### 30.5.8 ASI Control A

**Name:** ASI\_CTRLA  
**Offset:** 0x09  
**Reset:** 0x03  
**Property:** -

|        |   |   |   |   |   |   |                |     |
|--------|---|---|---|---|---|---|----------------|-----|
| Bit    | 7 | 6 | 5 | 4 | 3 | 2 | 1              | 0   |
|        |   |   |   |   |   |   | UPDICKSEL[1:0] |     |
| Access |   |   |   |   |   |   | R/W            | R/W |
| Reset  |   |   |   |   |   |   | 1              | 1   |

#### Bits 1:0 – UPDICKSEL[1:0] UPDI Clock Divider Select

Writing these bits selects the UPDI clock output frequency. The default setting after Reset and enable is 4 MHz. Any other clock output selection is only recommended when the BOD is at the highest level. For all other BOD settings, the default 4 MHz selection is recommended.

| Value | Description                        |
|-------|------------------------------------|
| 0x0   | 32 MHz UPDI clock                  |
| 0x1   | 16 MHz UPDI clock                  |
| 0x2   | 8 MHz UPDI clock                   |
| 0x3   | 4 MHz UPDI clock (Default Setting) |

### 30.5.9 ASI System Control A

**Name:** ASI\_SYS\_CTRLA  
**Offset:** 0x0A  
**Reset:** 0x00  
**Property:** -

| Bit    | 7 | 6 | 5 | 4 | 3 | 2 | 1                | 0      |
|--------|---|---|---|---|---|---|------------------|--------|
|        |   |   |   |   |   |   | UROWWRITE_ FINAL | CLKREQ |
| Access | R | R | R | R | R | R | R/W              | R/W    |
| Reset  | 0 | 0 | 0 | 0 | 0 | 0 | 0                | 0      |

**Bit 1 – UROWWRITE\_FINAL** User Row Programming Done

This bit must be written when the user row data have been written to the RAM. Writing a '1' to this bit will start the process of programming the user row data to the Flash.

If this bit is written before the user row data is written to the RAM by the UPDI, the CPU will proceed without the written data.

This bit is writable only if the USERROW-Write key is successfully decoded.

**Bit 0 – CLKREQ** Request System Clock

If this bit is written to '1', the ASI is requesting the system clock, independent of the system sleep modes. This makes it possible for the UPDI to access the ACC layer, also if the system is in a sleep mode.

Writing a '0' to this bit will lower the clock request.

This bit will be reset when the UPDI is disabled.

This bit is set by default when the UPDI is enabled.



### 30.5.10 ASI System Status

**Name:** ASI\_SYS\_STATUS  
**Offset:** 0x0B  
**Reset:** 0x01  
**Property:** -

|        | 7 | 6 | 5 | 4 | 3 | 2 | 1 | 0 |
|--------|---|---|---|---|---|---|---|---|
| Access |   |   | R | R | R | R |   | R |
| Reset  |   |   | 0 | 0 | 0 | 0 |   | 1 |

**Bit 5 – RSTSYS** System Reset Active

If this bit is set, there is an active Reset on the system domain. If this bit is cleared, the system is not in Reset. This bit is cleared on read.

A Reset held from the ASI\_RESET\_REQ register will also affect this bit.

**Bit 4 – INSLEEP** System Domain in Sleep

If this bit is set, the system domain is in IDLE or deeper Sleep mode. If this bit is cleared, the system is not in Sleep.

**Bit 3 – NVMPROG** Start NVM Programming

If this bit is set, NVM Programming can start from the UPDI.

When the UPDI is done, it must reset the system through the UPDI Reset register.

**Bit 2 – UROWPROG** Start User Row Programming

If this bit is set, User Row Programming can start from the UPDI.

When the UPDI is done, it must write the UROWWRITE\_FINAL bit in ASI\_SYS\_CTRLA.

**Bit 0 – LOCKSTATUS** NVM Lock Status

If this bit is set, the device is locked. If a Chip Erase is done, and the Lockbits are cleared, this bit will read as '0'.

### 30.5.11 ASI CRC Status

**Name:** ASI\_CRC\_STATUS  
**Offset:** 0x0C  
**Reset:** 0x00  
**Property:** -

|        |   |   |   |   |   |                 |   |   |
|--------|---|---|---|---|---|-----------------|---|---|
| Bit    | 7 | 6 | 5 | 4 | 3 | 2               | 1 | 0 |
|        |   |   |   |   |   | CRC_STATUS[2:0] |   |   |
| Access |   |   |   |   |   | R               | R | R |
| Reset  |   |   |   |   |   | 0               | 0 | 0 |

#### Bits 2:0 – CRC\_STATUS[2:0] CRC Execution Status

This bit field signalizes the status of the CRC conversion. This bit field is one-hot encoded.

| Value | Description                             |
|-------|---|
| 0x0   | Not enabled                             |
| 0x1   | CRC enabled, busy                       |
| 0x2   | CRC enabled, done with OK signature     |
| 0x4   | CRC enabled, done with FAILED signature |
| Other | Reserved                                |

## **31. Instruction Set Summary**

The instruction set summary is part of the *AVR Instruction Set Manual*, located at [www.microchip.com/DS40002198](http://www.microchip.com/DS40002198). Refer to the CPU version called AVRxt, for details regarding the devices documented in this data sheet.

## 32. Electrical Characteristics

### 32.1 Disclaimer

All typical values are measured at  $T = 25^{\circ}\text{C}$  and  $V_{\text{DD}} = 3\text{V}$  unless otherwise specified. All minimum and maximum values are valid across operating temperature and voltage unless otherwise specified.

Typical values given should be considered for design guidance only, and actual part variation around these values is expected.

### 32.2 Absolute Maximum Ratings

Stresses beyond those listed in this section may cause permanent damage to the device. This is a stress rating only and functional operation of the device at these or other conditions beyond those indicated in the operational sections of this specification is not implied. Exposure to absolute maximum rating conditions for extended periods may affect device reliability.

**Table 32-1. Absolute Maximum Ratings**

| Symbol                | Description  | Conditions  | Min. | Max.                | Unit               |
|-----------------------|--|---|------|---------------------|--------------------|
| $V_{\text{DD}}$       | Power Supply Voltage                               |   | -0.5 | 6                   | V                  |
| $I_{\text{VDD}}$      | Current into a $V_{\text{DD}}$ pin                 | $T_{\text{A}} = [-40, 85]^{\circ}\text{C}$  | -    | 200                 | mA                 |
|                       |  | $T_{\text{A}} = [85, 125]^{\circ}\text{C}$  | -    | 100                 | mA                 |
| $I_{\text{GND}}$      | Current out of a GND pin                           | $T_{\text{A}} = [-40, 85]^{\circ}\text{C}$  | -    | 200                 | mA                 |
|                       |  | $T_{\text{A}} = [85, 125]^{\circ}\text{C}$  | -    | 100                 | mA                 |
| $V_{\text{PIN}}$      | Pin voltage with respect to GND                    |   | -0.5 | $V_{\text{DD}}+0.5$ | V                  |
| $I_{\text{PIN}}$      | I/O pin sink/source current                        |   | -40  | 40                  | mA                 |
| $I_{\text{c1}}^{(1)}$ | I/O pin injection current except for the RESET pin | $V_{\text{pin}} < \text{GND}-0.6\text{V}$ or<br>$5.5\text{V} < V_{\text{pin}} \leq 6.1\text{V}$<br>$4.9\text{V} < V_{\text{DD}} \leq 5.5\text{V}$ | -1   | 1                   | mA                 |
| $I_{\text{c2}}^{(1)}$ | I/O pin injection current except for the RESET pin | $V_{\text{pin}} < \text{GND}-0.6\text{V}$ or<br>$V_{\text{pin}} \leq 5.5\text{V}$<br>$V_{\text{DD}} \leq 4.9\text{V}$                             | -15  | 15                  | mA                 |
| $T_{\text{storage}}$  | Storage temperature                                |   | -65  | 150                 | $^{\circ}\text{C}$ |

**Note:**

- If  $V_{\text{PIN}}$  is lower than  $\text{GND}-0.6\text{V}$ , then a current limiting resistor is required. The negative DC injection current limiting resistor is calculated as  $R = (\text{GND}-0.6\text{V} - V_{\text{pin}})/I_{\text{CN}}$ .
  - If  $V_{\text{PIN}}$  is greater than  $V_{\text{DD}}+0.6\text{V}$ , then a current limiting resistor is required. The positive DC injection current limiting resistor is calculated as  $R = (V_{\text{pin}}-(V_{\text{DD}}+0.6))/I_{\text{CN}}$ .

### 32.3 General Operating Ratings

The device must operate within the ratings listed in this section for all other electrical characteristics and typical characteristics of the device to be valid.

**Table 32-2. General Operating Conditions**

| Symbol          | Description                 | Condition   | Min.                 | Max. | Unit |
|-----------------|-----------------------------|---|----------------------|------|------|
| V <sub>DD</sub> | Operating Supply Voltage    |   | 1.8 <sup>(1,2)</sup> | 5.5  | V    |
|                 |                             | VAO - Auto Grade and Extended Operating temperature range | 2.7 <sup>(2,3)</sup> | 5.5  | V    |
| T <sub>A</sub>  | Operating temperature range | Extended  | -40                  | 125  | °C   |
|                 |                             | Industrial  | -40                  | 85   |      |

**Notes:**

1. Operation is guaranteed down to 1.8V or BOD triggering level V<sub>BOD</sub> when BOD is active.
2. During Chip Erase, the BOD is forced ON. If the supply voltage V<sub>DD</sub> is below the configured V<sub>BOD</sub>, the erase attempt will fail.
3. Operation is guaranteed down to 2.7V or BOD triggering level V<sub>BOD</sub> when BOD is active.

**Table 32-3. Operating Voltage and Frequency**

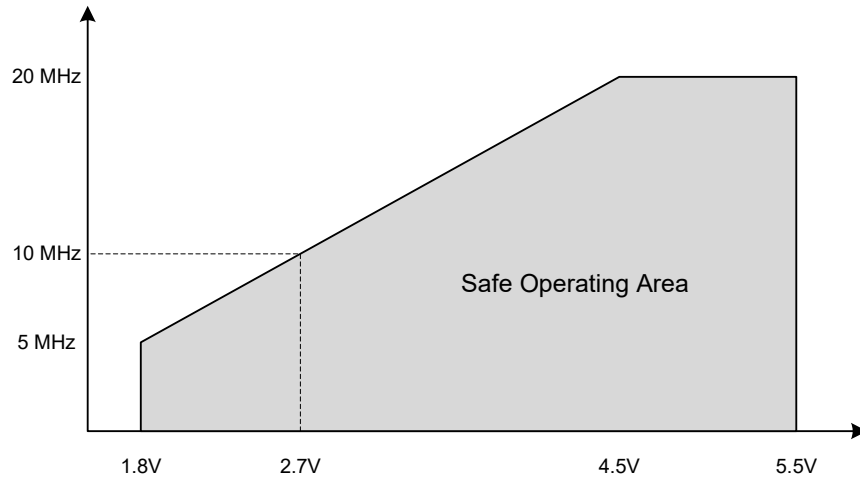
| Symbol               | Description                              | Condition   | Min. | Max. | Unit |
|----------------------|--|---|------|------|------|
| f <sub>CLK_CPU</sub> | Nominal operating system clock frequency | V <sub>DD</sub> = [1.8, 5.5]V<br>T <sub>A</sub> = [-40, 105]°C <sup>(1,4)</sup> | 0    | 5    | MHz  |
|                      |  | V <sub>DD</sub> = [2.7, 5.5]V<br>T <sub>A</sub> = [-40, 105]°C <sup>(2,4)</sup> | 0    | 10   |      |
|                      |  | V <sub>DD</sub> = [4.5, 5.5]V<br>T <sub>A</sub> = [-40, 105]°C <sup>(3,4)</sup> | 0    | 20   |      |
|                      |  | V <sub>DD</sub> = [2.7, 5.5]V<br>T <sub>A</sub> = [-40, 125]°C <sup>(2)</sup>   | 0    | 8    |      |
|                      |  | V <sub>DD</sub> = [4.5, 5.5]V<br>T <sub>A</sub> = [-40, 125]°C <sup>(3)</sup>   | 0    | 16   |      |

**Notes:**

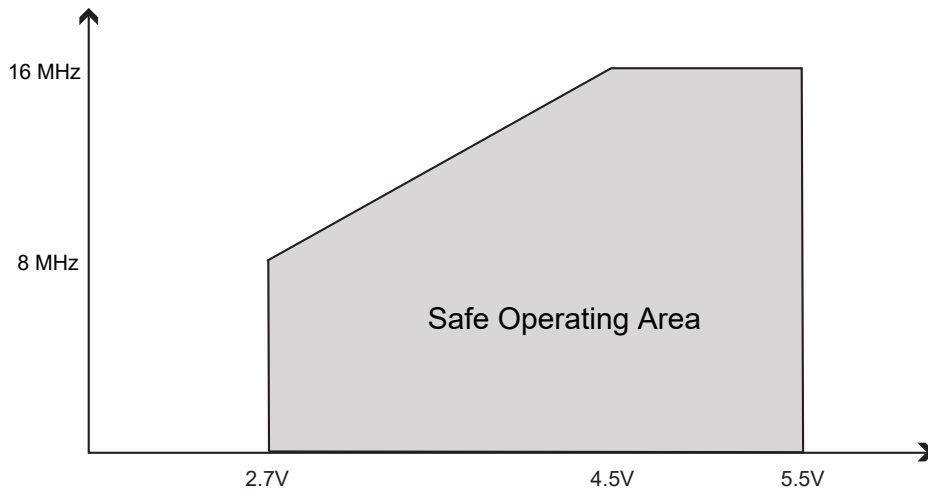
1. Operation is guaranteed down to BOD triggering level, V<sub>BOD</sub> with BODLEVEL0.
2. Operation is guaranteed down to BOD triggering level, V<sub>BOD</sub> with BODLEVEL2.
3. Operation is guaranteed down to BOD triggering level, V<sub>BOD</sub> with BODLEVEL7.
4. These specifications do not apply to automotive range parts (-VAO).

The maximum CPU clock frequency depends on V<sub>DD</sub>. As shown in the figure below, the Maximum Frequency vs. V<sub>DD</sub> is linear between 1.8V < V<sub>DD</sub> < 2.7V and 2.7V < V<sub>DD</sub> < 4.5V.

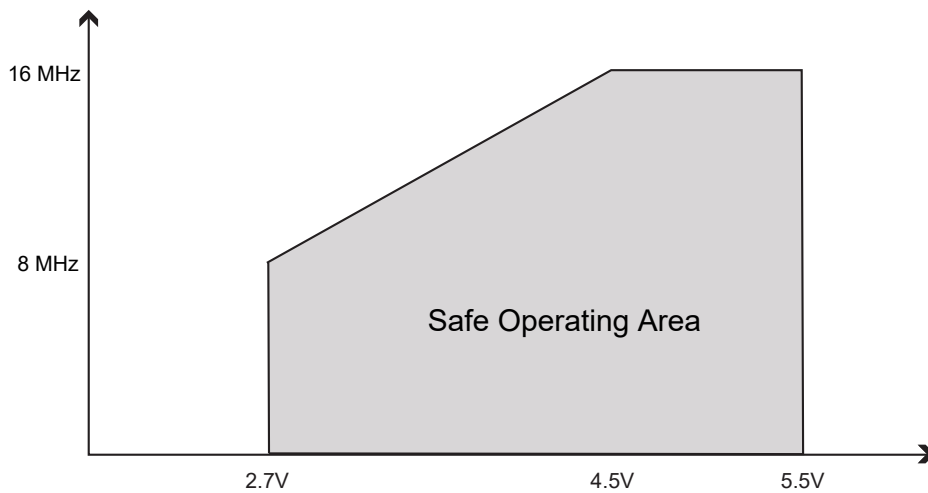
**Figure 32-1. Maximum Frequency vs.  $V_{DD}$  for [-40, 105]°C**



**Figure 32-2. Maximum Frequency vs.  $V_{DD}$  for [105, 125]°C**



**Figure 32-3. Maximum Frequency vs.  $V_{DD}$  for [-40, 125]°C, Automotive Range Parts (-VAO)**



### 32.4 Power Considerations

The average chip-junction temperature,  $T_J$ , in °C, can be obtained from the following equations:

- **Equation 1:**  $T_J = T_A + (P_D \times \theta_{JA})$
- **Equation 2:**  $T_J = T_A + (P_D \times (\theta_{HEATSINK} + \theta_{JC}))$

where:

- $\theta_{JA}$  = Package thermal resistance, Junction-to-ambient ( $^{\circ}\text{C}/\text{W}$ ), see [Thermal Resistance Data](#)
- $\theta_{JC}$  = Package thermal resistance, Junction-to-case thermal resistance ( $^{\circ}\text{C}/\text{W}$ ), see [Thermal Resistance Data](#)
- $\theta_{HEATSINK}$  = Thermal resistance ( $^{\circ}\text{C}/\text{W}$ ) specification of the external cooling device
- $P_D$  = Device power consumption (W)
- $T_A$  = Ambient temperature ( $^{\circ}\text{C}$ )

From the first equation, the user can derive the estimated lifetime of the chip and decide whether a cooling device is necessary or not. If a cooling device has to be fitted on the chip, the second equation must be used to compute the resulting average chip-junction temperature  $T_J$  in  $^{\circ}\text{C}$ .

Power usage can be calculated by adding together system power consumption and I/O module power consumption. The current drawn from pins with a capacitive load may be estimated (for one pin) as follows:

$$I_{cp} \approx V_{DD} * C_{load} * f_{sw}$$

Where  $C_{load}$  = pin load capacitance and  $f_{sw}$  = average switching frequency of I/O pin.

**Table 32-4. Thermal Resistance Data**

| Pin Count | Package | $T_A$ Range                                      | $\theta_{JA}$ [ $^{\circ}\text{C}/\text{W}$ ] | $\theta_{JC}$ [ $^{\circ}\text{C}/\text{W}$ ] |
|-----------|---------|--|---|---|
| 32        | VQFN    | -40 $^{\circ}\text{C}$ to 125 $^{\circ}\text{C}$ | 41  | 16  |
| 32        | TQFP    | -40 $^{\circ}\text{C}$ to 125 $^{\circ}\text{C}$ | 69  | 20  |
| 48        | VQFN    | -40 $^{\circ}\text{C}$ to 125 $^{\circ}\text{C}$ | 36  | 14.4  |
| 48        | TQFP    | -40 $^{\circ}\text{C}$ to 125 $^{\circ}\text{C}$ | 68  | 17  |

## 32.5 Power Consumption

The values are measured power consumption under the following conditions, except where noted:

- $V_{DD} = 3\text{V}$
- $T_A = 25^{\circ}\text{C}$
- OSC20M used as the system clock source, except where otherwise specified
- System power consumption measured with peripherals disabled and I/O ports driven low with inputs disabled

**Table 32-5. Power Consumption in Active and Idle Mode**

| Mode   | Description              | Clock Source         | PDIV Division | f <sub>CLK_CPU</sub> | V <sub>DD</sub> | Typ. | Max. | Unit |
|--------|--------------------------|----------------------|---------------|----------------------|-----------------|------|------|------|
| Active | Active power consumption | OSC20M FREQSEL = 0x2 | 1             | 20 MHz               | 5V              | 11.4 | -    | mA   |
|        |                          |                      | 2             | 10 MHz               | 5V              | 5.7  | -    | mA   |
|        |                          |                      |               |                      | 3V              | 3.2  | -    | mA   |
|        |                          |                      | 4             | 5 MHz                | 5V              | 3.8  | 5    | mA   |
|        |                          |                      |               |                      | 3V              | 1.6  | -    | mA   |
|        |                          |                      |               |                      | 2V              | 1.2  | -    | mA   |
|        |                          | OSC20M FREQSEL = 0x1 | 1             | 16 MHz               | 5V              | 8.6  | -    | mA   |
|        |                          |                      | 2             | 8 MHz                | 5V              | 4.3  | -    | mA   |
|        |                          |                      |               |                      | 3V              | 2.6  | -    | mA   |
|        |                          | OSCULP32K            | 1             | 32.768 kHz           | 5V              | 21   | -    | μA   |
|        |                          |                      |               |                      | 3V              | 12   | -    | μA   |
|        |                          |                      |               |                      | 2V              | 8    | -    | μA   |
| Idle   | Idle power consumption   | OSC20M FREQSEL = 0x2 | 1             | 20 MHz               | 5V              | 2.8  | -    | mA   |
|        |                          |                      | 2             | 10 MHz               | 5V              | 1.4  | -    | mA   |
|        |                          |                      |               |                      | 3V              | 0.8  | -    | mA   |
|        |                          |                      | 4             | 5 MHz                | 5V              | 1.3  | 3.5  | mA   |
|        |                          |                      |               |                      | 3V              | 0.4  | -    | mA   |
|        |                          |                      |               |                      | 2V              | 0.3  | -    | mA   |
|        |                          | OSC20M FREQSEL = 0x1 | 1             | 16 MHz               | 5V              | 2.3  | -    | mA   |
|        |                          |                      | 2             | 8 MHz                | 5V              | 1.3  | -    | mA   |
|        |                          |                      |               |                      | 3V              | 0.7  | -    | mA   |
|        |                          | OSCULP32K            | 1             | 32.768 kHz           | 5V              | 5.6  | -    | μA   |
|        |                          |                      |               |                      | 3V              | 2.8  | -    | μA   |
|        |                          |                      |               |                      | 2V              | 1.8  | -    | μA   |

**Table 32-6. Power Consumption in Power-Down, Standby and Reset Mode**

| Mode    | Description               | Condition  |                      | Typ. 25°C | Max. 25°C | Max. 85°C <sup>(1)</sup> | Max. 125°C | Unit |
|---------|---------------------------|--|----------------------|-----------|-----------|--------------------------|------------|------|
| Standby | Standby power consumption | RTC running at 1.024 kHz from external XOSC32K (CL = 7.5 pF) | V <sub>DD</sub> = 3V | 0.7       | -         | -                        | -          | μA   |
|         |                           | RTC running at 1.024 kHz from internal OSCULP32K             | V <sub>DD</sub> = 3V | 0.7       | 3         | 6                        | 16         | μA   |



.....continued

| Mode                   | Description  | Condition               |                      | Typ.<br>25°C | Max.<br>25°C | Max.<br>85°C <sup>(1)</sup> | Max.<br>125°C | Unit |
|------------------------|--|-------------------------|----------------------|--------------|--------------|-----------------------------|---------------|------|
| Power-Down/<br>Standby | Power-down/<br>Standby power consumption are the same when all peripherals are stopped | All peripherals stopped | V <sub>DD</sub> = 3V | 0.1          | 2            | 5                           | 15            | μA   |
| Reset                  | Reset power consumption  | RESET line pulled low   | V <sub>DD</sub> = 3V | 100          | -            | -                           | -             | μA   |

**Note:**

1. These values are based on characterization and are not covered by production test limits.

### 32.6 Wake-Up Time

The following table shows wake-up time from various sleep modes with various system clock sources. It also shows the start-up time from reset with no Unified Programming Interface (UPDI) connection active and with 0 ms start-up time (SUT) setting.

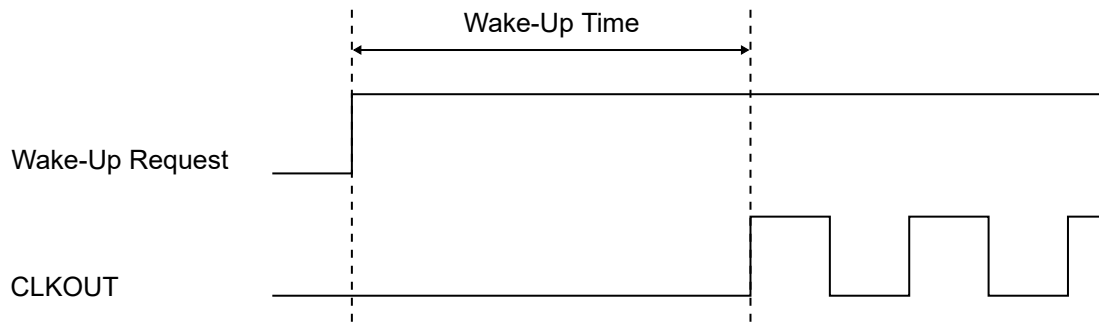
**Table 32-7. Start-Up and Wake-Up Time**

| Symbol                             | Description   | Clock Source               | PDIV Division | f <sub>CLK_CPU</sub> | V <sub>DD</sub> | Min. | Typ. | Max. | Unit |
|------------------------------------|---|----------------------------|---------------|----------------------|-----------------|------|------|------|------|
| t <sub>startup</sub>               | The start-up time from the release of any Reset source. Execution of first instruction. (Excluding CRCSCAN) | Any                        | Any           | Any                  | Any             | -    | 200  | -    | μs   |
| t <sub>wakeup</sub> <sup>(1)</sup> | Wake-up from Idle   | OSC20M<br>FREQSEL =<br>0x2 | 1             | 20 MHz               | 5V              | -    | 1    | -    |      |
|                                    |   |                            | 2             | 10 MHz               | 3V              | -    | 2    | -    |      |
|                                    |   |                            | 4             | 5 MHz                | 2V              | -    | 4    | -    |      |
|                                    |   | OSC20M<br>FREQSEL =<br>0x1 | 1             | 16 MHz               | 5V              | -    | 1.2  | -    |      |
|                                    |   |                            | 2             | 8 MHz                | 3V              | -    | 2.4  | -    |      |
|                                    |   |                            | OSCULP32K     | 1                    | 32.768 kHz      |      |      | 700  |      |
|                                    | Wake-up time from Standby or Power-down when clock source is stopped  | OSC20M<br>FREQSEL =<br>0x2 | 1             | 20 MHz               | 5V              | -    | 12   | -    |      |
|                                    |   |                            | 2             | 10 MHz               | 3V              | -    | 13   | -    |      |
|                                    |   |                            | 4             | 5 MHz                | 2V              | -    | 15   | -    |      |
|                                    |   | OSC20M<br>FREQSEL =<br>0x1 | 1             | 16 MHz               | 5V              | -    | 16   | -    |      |
|                                    |   |                            | 2             | 8 MHz                | 3V              | -    | 15   | -    |      |
|                                    |   |                            | OSCULP32K     | 1                    | 32.768 kHz      |      | -    | 750  | -    |

**Note:**

1. The wake-up time is the time from the wake-up request is given until the peripheral clock is available on the clock output (CLKOUT) pin. All peripherals and modules start execution from the first clock cycle, except the CPU that is halted for four clock cycles before program execution starts.

**Figure 32-4. Wake-Up Time Definition**



### 32.7 Peripherals Power Consumption

Use the table below to calculate the additional current consumption for the different I/O peripherals in the various operating modes.

Some peripherals will request the clock to be enabled when operating in STANDBY. See the peripheral chapter for further information.

Operating conditions:

- $V_{DD} = 3V$
- $T = 25^{\circ}C$
- OSC20M at 1 MHz used as the system clock source, except where otherwise specified
- In Idle sleep mode, except where otherwise specified

**Table 32-8. Peripherals Power Consumption**

| Peripheral                | Conditions                    | Typ. <sup>(1)</sup> | Unit    |
|---------------------------|-------------------------------|---------------------|---------|
| BOD                       | Continuous                    | 19                  | $\mu A$ |
|                           | Sampling @ 1 kHz              | 1.2                 |         |
| TCA                       | 16-bit count @ 1 MHz          | 13.0                | $\mu A$ |
| TCB                       | 16-bit count @ 1 MHz          | 7.4                 | $\mu A$ |
| RTC                       | 16-bit count @ OSCULP32K      | 1.2                 | $\mu A$ |
| WDT (including OSCULP32K) |                               | 0.7                 | $\mu A$ |
| OSC20M                    |                               | 130                 | $\mu A$ |
| AC                        | Fast mode <sup>(2)</sup>      | 92                  | $\mu A$ |
|                           | Low-Power mode <sup>(2)</sup> | 45                  |         |
| ADC <sup>(3)</sup>        | 50 ksps                       | 330                 | $\mu A$ |
|                           | 100 ksps                      | 340                 |         |
| XOSC32K                   | $C_L = 7.5 \text{ pF}$        | 0.5                 | $\mu A$ |
| OSCULP32K                 |                               | 0.4                 | $\mu A$ |
| USART                     | Enable @ 9600 Baud            | 13.0                | $\mu A$ |
| SPI (Host)                | Enable @ 100 kHz              | 2.1                 | $\mu A$ |
| TWI (Host)                | Enable @ 100 kHz              | 24.0                | $\mu A$ |
| TWI (Client)              | Enable @ 100 kHz              | 17.0                | $\mu A$ |

.....continued

| Peripheral        | Conditions      | Typ. <sup>(1)</sup> | Unit |
|-------------------|-----------------|---------------------|------|
| Flash programming | Erase Operation | 1.5                 | mA   |
|                   | Write Operation | 3.0                 |      |

**Notes:**

1. Current consumption of the module only. To calculate the total internal power consumption of the microcontroller, add this value to the base power consumption given in the “Power Consumption” section in electrical characteristics.
2. CPU in Standby mode.
3. Average power consumption with ADC active in Free-Running mode.

### 32.8 BOD and POR Characteristics

**Table 32-9. Power Supply Characteristics**

| Symbol | Description    | Condition | Min. | Typ. | Max.                 | Unit |
|--------|----------------|-----------|------|------|----------------------|------|
| SRON   | Power-on Slope |           | -    | -    | 100 <sup>(1,2)</sup> | V/ms |

**Notes:**

1. For design guidance only and not tested in production.
2. A slope faster than the maximum rating can trigger a Reset of the device if changing the voltage level after an initial power-up.

**Table 32-10. Power-on Reset (POR) Characteristics**

| Symbol           | Description                                      | Condition   | Min.               | Typ. | Max.               | Unit |
|------------------|--|---|--------------------|------|--------------------|------|
| V <sub>POR</sub> | POR threshold voltage on V <sub>DD</sub> falling | V <sub>DD</sub> falls/rises at 0.5 V/ms or slower | 0.8 <sup>(1)</sup> | -    | 1.6 <sup>(1)</sup> | V    |
|                  | POR threshold voltage on V <sub>DD</sub> rising  |   | 1.4 <sup>(1)</sup> | -    | 1.8                |      |

**Note:**

1. For design guidance only. Not tested in production.

**Table 32-11. Brown-out Detector (BOD) Characteristics**

| Symbol               | Description                          | Condition                 | Min. | Typ. | Max. | Unit |
|----------------------|--------------------------------------|---------------------------|------|------|------|------|
| V <sub>BOD</sub>     | BOD detection level (falling/rising) | BODLEVEL0                 | 1.7  | 1.8  | 2.0  | V    |
|                      |                                      | BODLEVEL2                 | 2.4  | 2.6  | 2.9  |      |
|                      |                                      | BODLEVEL7                 | 3.9  | 4.3  | 4.5  |      |
| V <sub>HYS</sub>     | Hysteresis                           | BODLEVEL0                 | -    | 25   | -    | mV   |
|                      |                                      | BODLEVEL2                 | -    | 40   | -    |      |
|                      |                                      | BODLEVEL7                 | -    | 80   | -    |      |
| t <sub>BOD</sub>     | Detection time                       | Continuous                | -    | 7    | -    | μs   |
|                      |                                      | Sampled, 1 kHz            | -    | 1    | -    | ms   |
|                      |                                      | Sampled, 125 Hz           | -    | 8    | -    |      |
| t <sub>startup</sub> | Start-up time                        | Time from enable to ready | -    | 40   | -    | μs   |

.....continued

| Symbol           | Description       | Condition                               | Min. | Typ. | Max. | Unit |
|------------------|-------------------|---|------|------|------|------|
| V <sub>INT</sub> | Interrupt level 0 | Percentage above the selected BOD level | -    | 4    | -    | %    |
|                  | Interrupt level 1 |   | -    | 13   | -    |      |
|                  | Interrupt level 2 |   | -    | 25   | -    |      |

### 32.9 External Reset Characteristics

**Table 32-12. External Reset Characteristics**

| Mode                 | Description  | Condition               | Min.                | Typ. | Max.                | Unit |
|----------------------|--|-------------------------|---------------------|------|---------------------|------|
| V <sub>VIH_RST</sub> | Input Voltage for $\overline{\text{RESET}}$          |                         | $0.7 \times V_{DD}$ | -    | $V_{DD} + 0.2$      | V    |
| V <sub>VIL_RST</sub> | Input Low Voltage for $\overline{\text{RESET}}$      |                         | -0.2                | -    | $0.3 \times V_{DD}$ |      |
| t <sub>MIN_RST</sub> | Minimum pulse width on $\overline{\text{RESET}}$ pin |                         | -                   | -    | 0.5 <sup>(1)</sup>  | μs   |
| R <sub>p_RST</sub>   | $\overline{\text{RESET}}$ pull-up resistor           | V <sub>Reset</sub> = 0V | 20                  | 35   | 50                  | kΩ   |

**Note:**

1. These parameters are for design guidance only and are not production tested.

### 32.10 Oscillators and Clocks

Operating conditions:

- V<sub>DD</sub> = 3V, unless otherwise specified
- Oscillator frequencies above speed specification must be divided so the CPU clock is always within specification.

**Table 32-13. 20 MHz Internal Oscillator (OSC20M) Characteristics**

| Symbol               | Description  | Condition  |   | Min. | Typ. | Max. | Unit |
|----------------------|--|--|---|------|------|------|------|
| f <sub>OSC20M</sub>  | Factory calibration frequency  | FREQSEL = 0x01   | T <sub>A</sub> = 25°C, 3.0V                               |      | 16   |      | MHz  |
|                      |  | FREQSEL = 0x02   |   |      | 20   |      |      |
| f <sub>CAL</sub>     | Frequency calibration range  | OSC20M FREQSEL = 0x01                                  |   | 14.5 |      | 17.5 | MHz  |
|                      |  | OSC20M FREQSEL = 0x02                                  |   | 18.5 |      | 21.5 |      |
| E <sub>TOTAL</sub>   | Total error with 16 MHz and 20 MHz frequency selection   | From target frequency                                  | T <sub>A</sub> = 25°C, 3.0V                               | -1.5 |      | 1.5  | %    |
|                      |  |  | T <sub>A</sub> = [0, 70]°C, V <sub>DD</sub> = [1.8, 3.6]V | -2.0 |      | 2.0  |      |
|                      |  |  | Full operation range                                      | -4.0 |      | 4.0  |      |
| E <sub>DRIFT</sub>   | Accuracy with 16 MHz and 20 MHz frequency selection relative to the factory-stored frequency value | Factory calibrated V <sub>DD</sub> = 3V <sup>(1)</sup> | T <sub>A</sub> = [0, 70]°C, V <sub>DD</sub> = [1.8, 5.5]V | -1.8 |      | 1.8  | %    |
| Δf <sub>OSC20M</sub> | Calibration step size  |  |   | -    | 0.75 | -    | %    |
| D <sub>OSC20M</sub>  | Duty cycle   |  |   | -    | 50   | -    | %    |

.....continued

| Symbol        | Description   | Condition          | Min. | Typ. | Max. | Unit    |
|---------------|---------------|--------------------|------|------|------|---------|
| $t_{startup}$ | Start-up time | Within 2% accuracy | -    | 12   | -    | $\mu$ s |

**Note:**

- See also the description of OSC20M on calibration.

**Table 32-14. 32.768 kHz Internal Oscillator (OSCULP32K) Characteristics**

| Symbol          | Description                       | Condition   | Min. | Typ.   | Max. | Unit    |
|-----------------|-----------------------------------|---|------|--------|------|---------|
| $f_{OSCULP32K}$ | Factory calibration frequency     |   |      | 32.768 |      | kHz     |
|                 | Factory calibration accuracy      | $T_A = 25^\circ\text{C}$ , 3.0V                               | -3   |        | 3    | %       |
| $E_{TOTAL}$     | Total error from target frequency | $T_A = [0, 70]^\circ\text{C}$ , $V_{DD} = [1.8, 3.6]\text{V}$ | -10  |        | +10  | %       |
|                 |                                   | Full operation range  | -20  |        | +20  |         |
| $D_{OSCULP32K}$ | Duty cycle                        |   |      | 50     |      | %       |
| $t_{startup}$   | Start-up time                     |   | -    | 250    | -    | $\mu$ s |

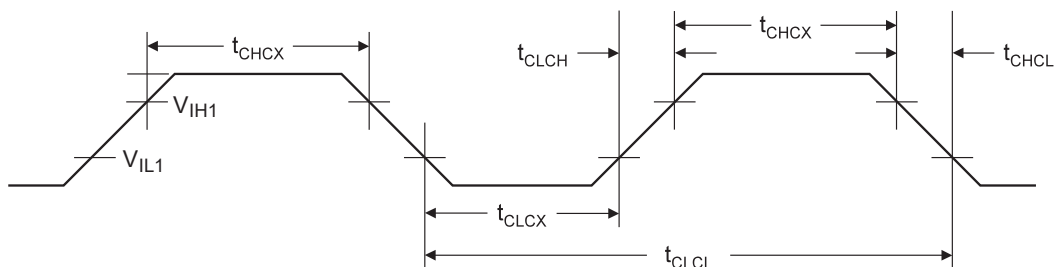
**Table 32-15. 32.768 kHz External Crystal Oscillator (XOSC32K) Characteristics**

| Symbol        | Description                                    | Condition              | Min.               | Typ.   | Max.                | Unit       |
|---------------|--|------------------------|--------------------|--------|---------------------|------------|
| $f_{out}$     | Frequency                                      |                        | -                  | 32.768 | -                   | kHz        |
| $t_{startup}$ | Start-up time                                  | $C_L = 7.5\text{ pF}$  | -                  | 300    | -                   | ms         |
| $C_L$         | Crystal load capacitance                       |                        | 7.5 <sup>(1)</sup> | -      | 12.5 <sup>(1)</sup> | pF         |
| ESR           | Equivalent Series Resistance - Safety Factor=3 | $C_L = 7.5\text{ pF}$  | -                  | -      | 80 <sup>(1)</sup>   | k $\Omega$ |
|               |  | $C_L = 12.5\text{ pF}$ | -                  | -      | 40 <sup>(1)</sup>   |            |

**Note:**

- This parameter is for design guidance only. Not production tested.

**Figure 32-5. External Clock Waveform Characteristics**



**Table 32-16. External Clock Characteristics**

| Symbol           | Description  | Condition | $V_{DD}=[1.8, 5.5]\text{V}$ |      | $V_{DD}=[2.7, 5.5]\text{V}$ |      | $V_{DD}=[4.5, 5.5]\text{V}$ |      | Unit |
|------------------|--------------|-----------|-----------------------------|------|-----------------------------|------|-----------------------------|------|------|
|                  |              |           | Min.                        | Max. | Min.                        | Max. | Min.                        | Max. |      |
| $f_{CLCL}$       | Frequency    |           | 0                           | 5.0  | 0.0                         | 10.0 | 0.0                         | 20.0 | MHz  |
| $t_{CLCL}$       | Clock Period |           | 200                         | -    | 100                         | -    | 50                          | -    | ns   |
| $t_{CHCX}^{(1)}$ | High Time    |           | 80                          | -    | 40                          | -    | 20                          | -    | ns   |
| $t_{CLCX}^{(1)}$ | Low Time     |           | 80                          | -    | 40                          | -    | 20                          | -    | ns   |

.....continued

| Symbol                            | Description                                       | Condition | V <sub>DD</sub> =[1.8, 5.5]V |      | V <sub>DD</sub> =[2.7, 5.5]V |      | V <sub>DD</sub> =[4.5, 5.5]V |      | Unit |
|-----------------------------------|---|-----------|------------------------------|------|------------------------------|------|------------------------------|------|------|
|                                   |   |           | Min.                         | Max. | Min.                         | Max. | Min.                         | Max. |      |
| t <sub>CLCH</sub> <sup>(1)</sup>  | Rise Time (for maximum frequency)                 |           | -                            | 40   | -                            | 20   | -                            | 10   | ns   |
| t <sub>CHCL</sub> <sup>(1)</sup>  | Fall Time (for maximum frequency)                 |           | -                            | 40   | -                            | 20   | -                            | 10   | ns   |
| Δt <sub>CLCL</sub> <sup>(1)</sup> | Change in period from one clock cycle to the next |           | -                            | 20   | -                            | 20   | -                            | 20   | %    |

**Note:**

1. This parameter is for design guidance only. Not production tested.

### 32.11 I/O Pin Characteristics

Table 32-17. I/O Pin Characteristics (T<sub>A</sub>=[-40, 85]°C, V<sub>DD</sub>=[1.8, 5.5]V unless otherwise noted)

| Symbol                            | Description  | Condition   | Min.                | Typ.   | Max.                  | Unit |
|-----------------------------------|--|---|---------------------|--------|-----------------------|------|
| V <sub>IL</sub>                   | Input Low Voltage  |   | -0.2                | -      | 0.3×V <sub>DD</sub>   | V    |
| V <sub>IH</sub>                   | Input High Voltage   |   | 0.7×V <sub>DD</sub> | -      | V <sub>DD</sub> +0.2V | V    |
| I <sub>IH</sub> / I <sub>IL</sub> | I/O pin Input Leakage Current                              | V <sub>DD</sub> = 5.5V, pin high                            | -                   | < 0.05 | -                     | μA   |
|                                   |  | V <sub>DD</sub> = 5.5V, pin low                             | -                   | < 0.05 | -                     |      |
| V <sub>OL</sub>                   | I/O pin drive strength                                     | V <sub>DD</sub> = 1.8V, I <sub>OL</sub> = 1.5 mA            | -                   | -      | 0.36                  | V    |
|                                   |  | V <sub>DD</sub> = 3.0V, I <sub>OL</sub> = 7.5 mA            | -                   | -      | 0.6                   |      |
|                                   |  | V <sub>DD</sub> = 5.0V, I <sub>OL</sub> = 15 mA             | -                   | -      | 1                     |      |
| V <sub>OH</sub>                   | I/O pin drive strength                                     | V <sub>DD</sub> = 1.8V, I <sub>OH</sub> = 1.5 mA            | 1.44                | -      | -                     | V    |
|                                   |  | V <sub>DD</sub> = 3.0V, I <sub>OH</sub> = 7.5 mA            | 2.4                 | -      | -                     |      |
|                                   |  | V <sub>DD</sub> = 5.0V, I <sub>OH</sub> = 15 mA             | 4                   | -      | -                     |      |
| I <sub>total</sub>                | Maximum combined I/O sink/<br>source current per pin group | T <sub>A</sub> = 125°C                                      | -                   | -      | 100 <sup>(1,2)</sup>  | mA   |
|                                   | Maximum combined I/O sink/<br>source current per pin group | T <sub>A</sub> = 25°C                                       | -                   | -      | 200 <sup>(1,2)</sup>  |      |
| t <sub>RISE</sub>                 | Rise time  | V <sub>DD</sub> = 3.0V, load = 20 pF                        | -                   | 2.5    | -                     | ns   |
|                                   |  | V <sub>DD</sub> = 5.0 V, load = 20 pF                       | -                   | 1.5    | -                     |      |
|                                   |  | V <sub>DD</sub> = 3.0 V, load = 20 pF, slew rate<br>enabled | -                   | 19     | -                     |      |
|                                   |  | V <sub>DD</sub> = 5.0 V, load = 20 pF, slew rate<br>enabled | -                   | 9      | -                     |      |

.....continued

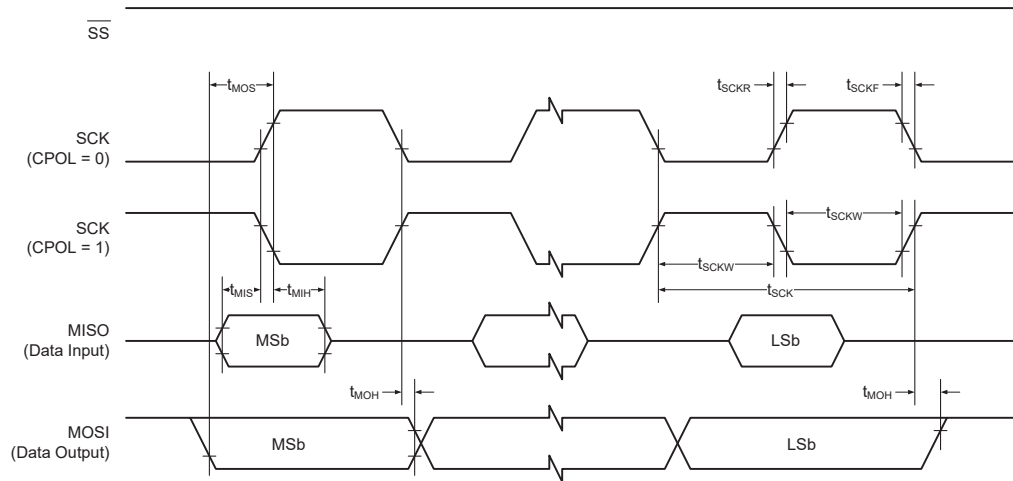
| Symbol     | Description  | Condition   | Min. | Typ. | Max. | Unit       |
|------------|--|---|------|------|------|------------|
| $t_{FALL}$ | Fall time  | $V_{DD} = 3.0\text{ V}$ , load = 20 pF                    | -    | 2.0  | -    | ns         |
|            |  | $V_{DD} = 5.0\text{ V}$ , load = 20 pF                    | -    | 1.3  | -    |            |
|            |  | $V_{DD} = 3.0\text{ V}$ , load = 20 pF, slew rate enabled | -    | 21   | -    |            |
|            |  | $V_{DD} = 5.0\text{ V}$ , load = 20 pF, slew rate enabled | -    | 11   | -    |            |
| $C_{pin}$  | I/O pin capacitance except for TOSC, VREFA, and TWI pins |   | -    | 3.5  | -    | pF         |
| $C_{pin}$  | I/O pin capacitance on TOSC pins                         |   | -    | 4    | -    | pF         |
| $C_{pin}$  | I/O pin capacitance on TWI pins                          |   | -    | 10   | -    | pF         |
| $C_{pin}$  | I/O pin capacitance on VREFA pin                         |   | -    | 14   | -    | pF         |
| $R_p$      | Pull-up resistor   |   | 20   | 35   | 50   | k $\Omega$ |

**Notes:**

- Pin group A (PA[7:0], PF[6:2]), pin group B (PB[7:0], PC[7:0]), pin group C (PD:7:0, PE[3:0], PF[1:0]). For 28-pin and 32-pin devices, pin group A and B should be seen as a single group. The combined continuous sink/source current for each group should not exceed the limits.
- These parameters are for design guidance only and are not production tested.

### 32.12 USART

**Figure 32-6. USART in SPI Mode - Timing Requirements in Host Mode**



**Table 32-18. USART in SPI Host Mode - Timing Characteristics<sup>(1)</sup>**

| Symbol     | Description         | Condition | Min. | Typ.                 | Max. | Unit |
|------------|---------------------|-----------|------|----------------------|------|------|
| $f_{SCK}$  | SCK clock frequency | Host      | -    | -                    | 10   | MHz  |
| $t_{SCK}$  | SCK period          | Host      | 100  | -                    | -    | ns   |
| $t_{SCKW}$ | SCK high/low width  | Host      | -    | $0.5 \times t_{SCK}$ | -    | ns   |

.....continued

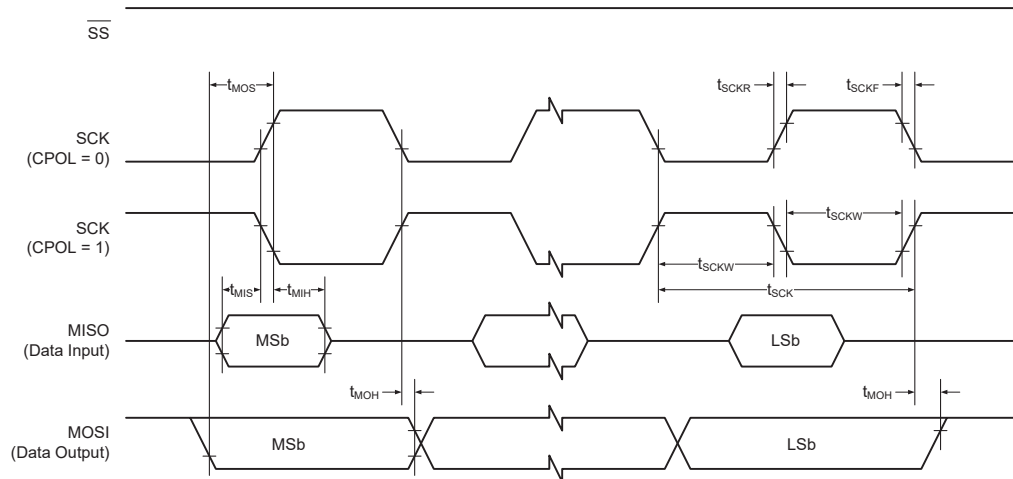
| Symbol     | Description         | Condition | Min. | Typ.                 | Max. | Unit |
|------------|---------------------|-----------|------|----------------------|------|------|
| $t_{SCKR}$ | SCK rise time       | Host      | -    | 2.7                  | -    | ns   |
| $t_{SCKF}$ | SCK fall time       | Host      | -    | 2.7                  | -    | ns   |
| $t_{MIS}$  | MISO setup to SCK   | Host      | -    | 10                   | -    | ns   |
| $t_{MIH}$  | MISO hold after SCK | Host      | -    | 10                   | -    | ns   |
| $t_{MOS}$  | MOSI setup to SCK   | Host      | -    | $0.5 \times t_{SCK}$ | -    | ns   |
| $t_{MOH}$  | MOSI hold after SCK | Host      | -    | 1.0                  | -    | ns   |

**Note:**

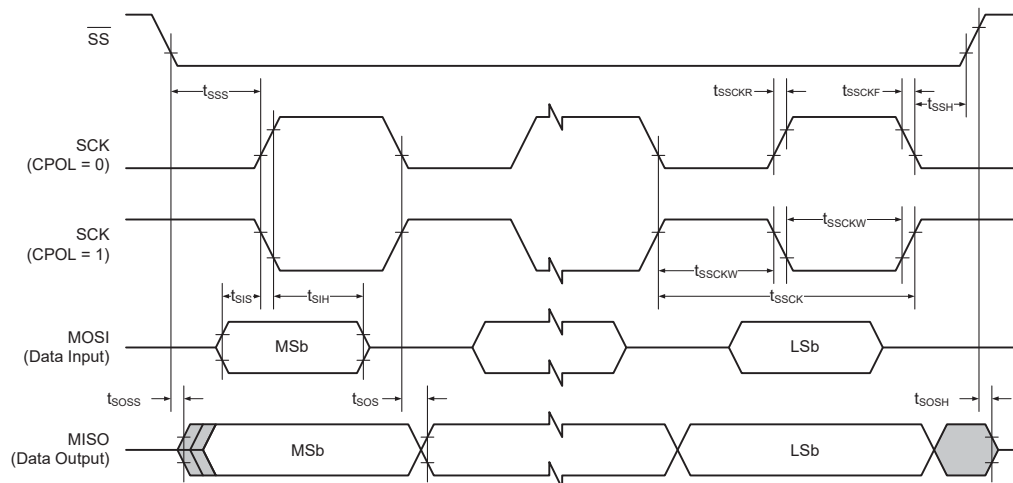
1. These parameters are for design guidance only and are not production tested.

### 32.13 SPI

**Figure 32-7. SPI - Timing Requirements in Host Mode**



**Figure 32-8. SPI - Timing Requirements in Client Mode**





**Table 32-19. SPI - Timing Characteristics<sup>(1)</sup>**

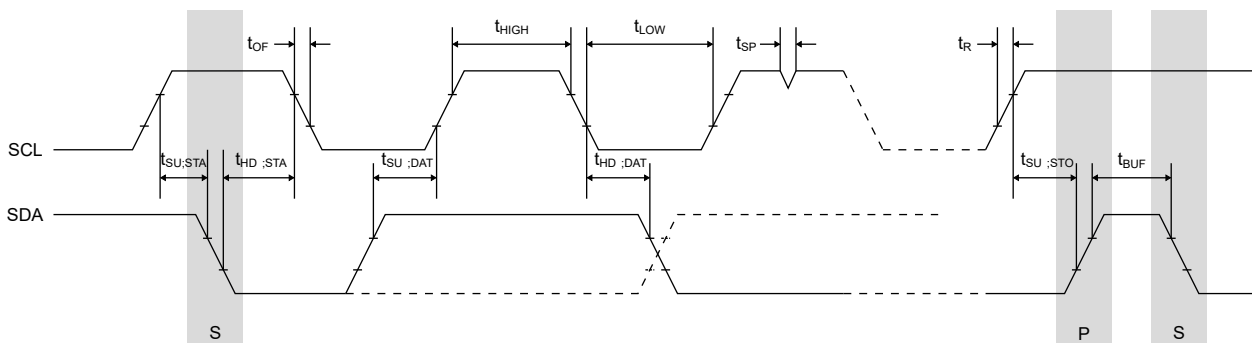
| Symbol             | Description                | Condition | Min.                     | Typ.      | Max. | Unit |
|--------------------|----------------------------|-----------|--------------------------|-----------|------|------|
| f <sub>SCK</sub>   | SCK clock frequency        | Host      | -                        | -         | 10   | MHz  |
| t <sub>SCK</sub>   | SCK period                 | Host      | 100                      | -         | -    | ns   |
| t <sub>SCKW</sub>  | SCK high/low width         | Host      | -                        | 0.5 × SCK | -    | ns   |
| t <sub>SCKR</sub>  | SCK rise time              | Host      | -                        | 2.7       | -    | ns   |
| t <sub>SCKF</sub>  | SCK fall time              | Host      | -                        | 2.7       | -    | ns   |
| t <sub>MIS</sub>   | MISO setup to SCK          | Host      | -                        | 10        | -    | ns   |
| t <sub>MIH</sub>   | MISO hold after SCK        | Host      | -                        | 10        | -    | ns   |
| t <sub>MOS</sub>   | MOSI setup to SCK          | Host      | -                        | 0.5 × SCK | -    | ns   |
| t <sub>MOH</sub>   | MOSI hold after SCK        | Host      | -                        | 1.0       | -    | ns   |
| f <sub>SSCK</sub>  | Client SCK clock frequency | Client    | -                        | -         | 5    | MHz  |
| t <sub>SSCK</sub>  | Client SCK period          | Client    | 4 × t <sub>CLK_PER</sub> | -         | -    | ns   |
| t <sub>SSCKW</sub> | SCK high/low width         | Client    | 2 × t <sub>CLK_PER</sub> | -         | -    | ns   |
| t <sub>SSCKR</sub> | SCK rise time              | Client    | -                        | -         | 1600 | ns   |
| t <sub>SSCKF</sub> | SCK fall time              | Client    | -                        | -         | 1600 | ns   |
| t <sub>SIS</sub>   | MOSI setup to SCK          | Client    | 3.0                      | -         | -    | ns   |
| t <sub>SIH</sub>   | MOSI hold after SCK        | Client    | t <sub>CLK_PER</sub>     | -         | -    | ns   |
| t <sub>SSS</sub>   | SS setup to SCK            | Client    | 21                       | -         | -    | ns   |
| t <sub>SSH</sub>   | SS hold after SCK          | Client    | 20                       | -         | -    | ns   |
| t <sub>SOS</sub>   | MISO setup to SCK          | Client    | -                        | 8.0       | -    | ns   |
| t <sub>SOH</sub>   | MISO hold after SCK        | Client    | -                        | 13        | -    | ns   |
| t <sub>SOSS</sub>  | MISO setup after SS low    | Client    | -                        | 11        | -    | ns   |
| t <sub>SOSh</sub>  | MISO hold after SS low     | Client    | -                        | 8.0       | -    | ns   |

**Note:**

1. These parameters are for design guidance only and are not production tested.

### 32.14 TWI

**Figure 32-9. TWI - Timing Requirements**



**Table 32-20. TWI - Specifications<sup>(1)</sup>**

| Symbol           | Description  | Condition   | Min.  | Typ. | Max.                               | Unit |
|------------------|--|---|---|------|------------------------------------|------|
| f <sub>SCL</sub> | SCL clock frequency  | Max. frequency requires system clock at 10 MHz, which, in turn, requires V <sub>DD</sub> = [2.7, 5.5]V and T = [-40, 105]°C | 0   | -    | 1000                               | kHz  |
| V <sub>IH</sub>  | Input high voltage   |   | 0.7×V <sub>DD</sub>   | -    | -                                  | V    |
| V <sub>IL</sub>  | Input low voltage  |   | -   | -    | 0.3×V <sub>DD</sub>                | V    |
| V <sub>HYS</sub> | Hysteresis of Schmitt Trigger inputs                           |   | 0.1×V <sub>DD</sub>   |      | 0.4×V <sub>DD</sub>                | V    |
| V <sub>OL</sub>  | Output low voltage   | I <sub>load</sub> = 20 mA, Fast mode+   | -   | -    | 0.2×V <sub>DD</sub>                | V    |
|                  |  | I <sub>load</sub> = 3 mA, Normal mode, V <sub>DD</sub> > 2V   | -   | -    | 0.4V                               |      |
|                  |  | I <sub>load</sub> = 3 mA, Normal mode, V <sub>DD</sub> ≤ 2V   | -   | -    | 0.2×V <sub>DD</sub>                |      |
| I <sub>OL</sub>  | Low-level output current                                       | f <sub>SCL</sub> ≤ 400 kHz, V <sub>OL</sub> = 0.4V  | 3   | -    | -                                  | mA   |
|                  |  | f <sub>SCL</sub> ≤ 1 MHz, V <sub>OL</sub> = 0.4V  | 20  | -    | -                                  |      |
| C <sub>B</sub>   | Capacitive load for each bus line                              | f <sub>SCL</sub> ≤ 100 kHz  | -   | -    | 400                                | pF   |
|                  |  | f <sub>SCL</sub> ≤ 400 kHz  | -   | -    | 400                                |      |
|                  |  | f <sub>SCL</sub> ≤ 1 MHz  | -   | -    | 550                                |      |
| t <sub>R</sub>   | Rise time for both SDA and SCL                                 | f <sub>SCL</sub> ≤ 100 kHz  | -   | -    | 1000                               | ns   |
|                  |  | f <sub>SCL</sub> ≤ 400 kHz  | 20  | -    | 300                                |      |
|                  |  | f <sub>SCL</sub> ≤ 1 MHz  | -   | -    | 120                                |      |
| t <sub>OF</sub>  | Output fall time from V <sub>IHmin</sub> to V <sub>ILmax</sub> | 10 pF < capacitance of bus line < 400 pF  | f <sub>SCL</sub> ≤ 100 kHz                                  | -    | 250                                | ns   |
|                  |  | f <sub>SCL</sub> ≤ 400 kHz  | 20×(V <sub>DD</sub> /5.5V)                                  | -    | 250                                |      |
|                  |  | f <sub>SCL</sub> ≤ 1 MHz  | 20×(V <sub>DD</sub> /5.5V)                                  | -    | 120                                |      |
| t <sub>SP</sub>  | Spikes suppressed by the input filter                          |   | 0   | -    | 50                                 | ns   |
| I <sub>L</sub>   | Input current for each I/O pin                                 | 0.1×V <sub>DD</sub> < V <sub>I</sub> < 0.9×V <sub>DD</sub>  | -   | -    | 1                                  | μA   |
| C <sub>I</sub>   | Capacitance for each I/O pin                                   |   | -   | -    | 10                                 | pF   |
| R <sub>P</sub>   | Value of pull-up resistor                                      | f <sub>SCL</sub> ≤ 100 kHz  | (V <sub>DD</sub> - V <sub>OL(max)</sub> ) / I <sub>OL</sub> | -    | 1000 ns / (0.8473×C <sub>B</sub> ) | Ω    |
|                  |  | f <sub>SCL</sub> ≤ 400 kHz  | -   | -    | 300 ns / (0.8473×C <sub>B</sub> )  |      |
|                  |  | f <sub>SCL</sub> ≤ 1 MHz  | -   | -    | 120 ns / (0.8473×C <sub>B</sub> )  |      |

# ATmega4808/4809

## Electrical Characteristics

| .....continued      |  |                            |      |      |      |                  |
|---------------------|--|----------------------------|------|------|------|------------------|
| Symbol              | Description                                      | Condition                  | Min. | Typ. | Max. | Unit             |
| t <sub>HD;STA</sub> | Hold time (repeated) Start condition             | f <sub>SCL</sub> ≤ 100 kHz | 4.0  | -    | -    | μs               |
|                     |  | f <sub>SCL</sub> ≤ 400 kHz | 0.6  | -    | -    |                  |
|                     |  | f <sub>SCL</sub> ≤ 1 MHz   | 0.26 | -    | -    |                  |
|                     |  | Start                      | -    | 2.1  | -    | T <sub>SCL</sub> |
|                     |  | Repeated start             | -    | 3.1  | -    |                  |
| t <sub>LOW</sub>    | Low period of SCL Clock                          | f <sub>SCL</sub> ≤ 100 kHz | 4.7  | -    | -    | μs               |
|                     |  | f <sub>SCL</sub> ≤ 400 kHz | 1.3  | -    | -    |                  |
|                     |  | f <sub>SCL</sub> ≤ 1 MHz   | 0.5  | -    | -    |                  |
| t <sub>HIGH</sub>   | High period of SCL Clock                         | f <sub>SCL</sub> ≤ 100 kHz | 4.0  | -    | -    | μs               |
|                     |  | f <sub>SCL</sub> ≤ 400 kHz | 0.6  | -    | -    |                  |
|                     |  | f <sub>SCL</sub> ≤ 1 MHz   | 0.26 | -    | -    |                  |
| t <sub>SU;STA</sub> | Setup time for a repeated Start condition        | f <sub>SCL</sub> ≤ 100 kHz | 4.7  | -    | -    | μs               |
|                     |  | f <sub>SCL</sub> ≤ 400 kHz | 0.6  | -    | -    |                  |
|                     |  | f <sub>SCL</sub> ≤ 1 MHz   | 0.26 | -    | -    |                  |
|                     |  |                            | -    | 3    | -    | T <sub>SCL</sub> |
| t <sub>HD;DAT</sub> | Data hold time                                   | f <sub>SCL</sub> ≤ 100 kHz | 0    | -    | 3.45 | μs               |
|                     |  | f <sub>SCL</sub> ≤ 400 kHz | 0    | -    | 0.9  |                  |
|                     |  | f <sub>SCL</sub> ≤ 1 MHz   | 0    | -    | 0.45 |                  |
| t <sub>SU;DAT</sub> | Data setup time                                  | f <sub>SCL</sub> ≤ 100 kHz | 250  | -    | -    | ns               |
|                     |  | f <sub>SCL</sub> ≤ 400 kHz | 100  | -    | -    |                  |
|                     |  | f <sub>SCL</sub> ≤ 1 MHz   | 50   | -    | -    |                  |
| t <sub>SU;STO</sub> | Setup time for Stop condition                    | f <sub>SCL</sub> ≤ 100 kHz | 4    | -    | -    | μs               |
|                     |  | f <sub>SCL</sub> ≤ 400 kHz | 0.6  | -    | -    |                  |
|                     |  | f <sub>SCL</sub> ≤ 1 MHz   | 0.26 | -    | -    |                  |
|                     |  |                            | -    | 2    | -    | T <sub>SCL</sub> |
| t <sub>BUF</sub>    | Bus free time between a Stop and Start condition | f <sub>SCL</sub> ≤ 100 kHz | 4.7  | -    | -    | μs               |
|                     |  | f <sub>SCL</sub> ≤ 400 kHz | 1.3  | -    | -    |                  |
|                     |  | f <sub>SCL</sub> ≤ 1 MHz   | 0.5  | -    | -    |                  |
|                     |  |                            | -    | 2    | -    | T <sub>SCL</sub> |

**Note:**

1. These parameters are for design guidance only and are not production tested.

**Table 32-21. SDA Hold Time<sup>(1,2)</sup>**

| Symbol              | Description    | Condition             | Min.                          | Typ.           | Max. | Unit |      |    |
|---------------------|----------------|-----------------------|-------------------------------|----------------|------|------|------|----|
| t <sub>HD;DAT</sub> | Data hold time | Host <sup>(3)</sup>   | f <sub>CLK_PER</sub> = 5 MHz  | SDAHOLD = 0x00 | -    | 800  | -    | ns |
|                     |                |                       |                               | SDAHOLD = 0x01 | 830  | 850  | 950  |    |
|                     |                |                       |                               | SDAHOLD = 0x02 | 830  | 850  | 950  |    |
|                     |                |                       |                               | SDAHOLD = 0x03 | 830  | 850  | 1270 |    |
|                     |                |                       | f <sub>CLK_PER</sub> = 10 MHz | SDAHOLD = 0x00 | -    | 400  | -    |    |
|                     |                |                       |                               | SDAHOLD = 0x01 | 430  | 450  | 550  |    |
|                     |                |                       |                               | SDAHOLD = 0x02 | 430  | 450  | 580  |    |
|                     |                |                       |                               | SDAHOLD = 0x03 | 430  | 550  | 1270 |    |
|                     |                |                       | f <sub>CLK_PER</sub> = 20 MHz | SDAHOLD = 0x00 | -    | 200  | 220  |    |
|                     |                |                       |                               | SDAHOLD = 0x01 | 230  | 250  | 350  |    |
|                     |                |                       |                               | SDAHOLD = 0x02 | 260  | 450  | 580  |    |
|                     |                |                       |                               | SDAHOLD = 0x03 | 380  | 600  | 1270 |    |
| t <sub>HD;DAT</sub> | Data hold time | Client <sup>(4)</sup> | All Frequencies               | SDAHOLD = 0x00 | 90   | 150  | 220  | ns |
|                     |                |                       |                               | SDAHOLD = 0x01 | 130  | 200  | 350  |    |
|                     |                |                       |                               | SDAHOLD = 0x02 | 260  | 400  | 580  |    |
|                     |                |                       |                               | SDAHOLD = 0x03 | 390  | 550  | 1270 |    |

**Notes:**

1. These parameters are for design guidance only and are not covered by production test limits.
2. SDAHOLD is the data hold time after the SCL signal is detected to be low. The actual hold time is, therefore, higher than the configured hold time.
3. For Host mode, the data hold time is whatever is largest of the following:
  - 4 × t<sub>CLK\_PER</sub> + 50 ns (typical)
  - SDAHOLD configuration + SCL filter delay
4. For Client mode, the hold time is given by:
  - SDAHOLD configuration + SCL filter delay

### 32.15 VREF

**Table 32-22. Internal Voltage Reference Characteristics<sup>(1)</sup>**

| Symbol             | Description                         | Min. | Typ. | Max. | Unit |
|--------------------|-------------------------------------|------|------|------|------|
| t <sub>start</sub> | Start-up time                       | -    | 25   | -    | μs   |
| V <sub>DD</sub>    | Power supply voltage range for 0V55 | 1.8  | -    | 5.5  | V    |
|                    | Power supply voltage range for 1V1  | 1.8  | -    | 5.5  |      |
|                    | Power supply voltage range for 1V5  | 1.8  | -    | 5.5  |      |
|                    | Power supply voltage range for 2V5  | 3.0  | -    | 5.5  |      |
|                    | Power supply voltage range for 4V3  | 4.8  | -    | 5.5  |      |

**Note:**

- These parameters are for design guidance only and are not production tested.

**Table 32-23. ADC Internal Voltage Reference Characteristics<sup>(1)</sup>**

| Symbol <sup>(2)</sup>            | Description                | Condition   | Min. | Typ. | Max. | Unit |
|----------------------------------|----------------------------|---|------|------|------|------|
| 1V1                              | Internal reference voltage | $V_{DD} = [1.8V, 5.5V]$<br>$T = [0 - 105]^{\circ}C$   | -2.0 |      | 2.0  | %    |
| 0V55<br>1V5<br>2V5<br>4V3        | Internal reference voltage | $V_{DD} = [1.8V, 5.5V]$<br>$T = [0 - 105]^{\circ}C$   | -3.0 |      | 3.0  |      |
| 0V55<br>1V1<br>1V5<br>2V5<br>4V3 | Internal reference voltage | $V_{DD} = [1.8V, 5.5V]$<br>$T = [-40 - 125]^{\circ}C$ | -5.0 |      | 5.0  |      |

**Notes:**

- These values are based on characterization and not covered by production test limits.
- The symbols xVxx refer to the respective values of the ADC0REFSEL bit field in the VREF.CTRLA register.

**Table 32-24. AC Internal Voltage Reference Characteristics<sup>(1)</sup>**

| Symbol <sup>(2)</sup>            | Description                | Condition   | Min. | Typ. | Max. | Unit |
|----------------------------------|----------------------------|---|------|------|------|------|
| 0V55<br>1V1<br>1V5<br>2V5        | Internal reference voltage | $V_{DD} = [1.8V, 5.5V]$<br>$T = [0 - 105]^{\circ}C$   | -3.0 |      | 3.0  | %    |
| 0V55<br>1V1<br>1V5<br>2V5<br>4V3 | Internal reference voltage | $V_{DD} = [1.8V, 5.5V]$<br>$T = [-40 - 125]^{\circ}C$ | -5.0 |      | 5.0  |      |

**Notes:**

- These values are based on characterization and not covered by production test limits.
- The symbols xVxx refer to the respective values of the AC0REFSEL bit field in the VREF.CTRLA register.

## 32.16 ADC

### 32.16.1 Internal Reference Characteristics

Operating conditions:

- $V_{DD} = 1.8$  to  $5.5V$
- Temperature =  $-40^{\circ}C$  to  $125^{\circ}C$
- DUTYCYC = 25%
- $CLK_{ADC} = 13 * f_{ADC}$
- SAMPCAP is 10 pF for 0.55V reference, while it is set to 5 pF for  $V_{REF} \geq 1.1V$
- Applies for all allowed combinations of  $V_{REF}$  selections and Sample Rates unless otherwise noted

**Table 32-25. Power Supply, Reference, and Input Range**

| Symbol            | Description         | Conditions                   | Min. | Typ. | Max.                 | Unit |
|-------------------|---------------------|------------------------------|------|------|----------------------|------|
| V <sub>DD</sub>   | Supply voltage      | CLK <sub>ADC</sub> ≤ 1.5 MHz | 1.8  | -    | 5.5                  | V    |
|                   |                     | CLK <sub>ADC</sub> > 1.5 MHz | 2.7  | -    | 5.5                  |      |
| V <sub>REF</sub>  | Reference voltage   | REFSEL = Internal reference  | 0.55 | -    | V <sub>DD</sub> -0.5 | V    |
|                   |                     | REFSEL = External reference  | 1.1  | -    | V <sub>DD</sub>      |      |
|                   |                     | REFSEL = V <sub>DD</sub>     | 1.8  | -    | 5.5                  |      |
| C <sub>IN</sub>   | Input capacitance   | SAMPCAP = 5 pF               | -    | 5    | -                    | pF   |
|                   |                     | SAMPCAP = 10 pF              | -    | 10   | -                    |      |
| R <sub>IN</sub>   | Input resistance    |                              | -    | 14   | -                    | kΩ   |
| V <sub>IN</sub>   | Input voltage range |                              | 0    | -    | V <sub>REF</sub>     | V    |
| I <sub>BAND</sub> | Input bandwidth     | 1.1V ≤ V <sub>REF</sub>      | -    | -    | 57.5                 | kHz  |

**Table 32-26. Clock and Timing Characteristics<sup>(1)</sup>**

| Symbol             | Description               | Conditions                                 | Min. | Typ. | Max. | Unit                      |
|--------------------|---------------------------|--|------|------|------|---------------------------|
| f <sub>ADC</sub>   | Sample rate               | 1.1V ≤ V <sub>REF</sub>                    | 15   | -    | 115  | ksps                      |
|                    |                           | 1.1V ≤ V <sub>REF</sub> (8-bit resolution) | 15   | -    | 150  |                           |
|                    |                           | V <sub>REF</sub> = 0.55V (10 bits)         | 7.5  | -    | 20   |                           |
| CLK <sub>ADC</sub> | Clock frequency           | V <sub>REF</sub> = 0.55V (10 bits)         | 100  | -    | 260  | kHz                       |
|                    |                           | 1.1V ≤ V <sub>REF</sub> (10 bits)          | 200  | -    | 1500 |                           |
|                    |                           | 1.1V ≤ V <sub>REF</sub> (8-bit resolution) | 200  | -    | 2000 |                           |
| T <sub>s</sub>     | Sampling time             |  | 2    | 2    | 33   | CLK <sub>ADC</sub> cycles |
| T <sub>CONV</sub>  | Conversion time (latency) | Sampling time = 2 CLK <sub>ADC</sub>       | 8.7  | -    | 50   | μs                        |
| T <sub>START</sub> | Start-up time             | Internal V <sub>REF</sub>                  | -    | 22   | -    | μs                        |

**Note:**

1. These parameters are for design guidance only and are not production tested.

**Table 32-27. Accuracy Characteristics Internal Reference<sup>(2)</sup>**

| Symbol | Description            | Conditions  | Min.                        | Typ. | Max. | Unit |     |
|--------|------------------------|---|-----------------------------|------|------|------|-----|
| Res    | Resolution             |   | -                           | 10   | -    | bit  |     |
| INL    | Integral Non-linearity | REFSEL = INTERNAL<br>V <sub>REF</sub> = 0.55V                   | f <sub>ADC</sub> = 7.7 ksps | -    | 1.0  | 3.0  | LSB |
|        |                        | REFSEL = INTERNAL or V <sub>DD</sub>                            | f <sub>ADC</sub> = 15 ksps  | -    | 1.0  | 3.0  |     |
|        |                        | REFSEL = INTERNAL or V <sub>DD</sub><br>1.1V ≤ V <sub>REF</sub> | f <sub>ADC</sub> = 77 ksps  | -    | 1.0  | 3.0  |     |
|        |                        |   | f <sub>ADC</sub> = 115 ksps | -    | 1.2  | 3.0  |     |

| .....continued     |                            |                                      |                             |                               |      |      |      |    |
|--------------------|----------------------------|--------------------------------------|-----------------------------|-------------------------------|------|------|------|----|
| Symbol             | Description                | Conditions                           |                             | Min.                          | Typ. | Max. | Unit |    |
| DNL <sup>(1)</sup> | Differential Non-linearity | REFSEL = INTERNAL                    | f <sub>ADC</sub> = 7.7 ksps | -                             | 0.6  | 1.3  | LSB  |    |
|                    |                            | V <sub>REF</sub> = 0.55V             |                             |                               |      |      |      |    |
|                    |                            | REFSEL = INTERNAL                    | f <sub>ADC</sub> = 15 ksps  | -                             | 0.4  | 1.2  |      |    |
|                    |                            | V <sub>REF</sub> = 1.1V              |                             |                               |      |      |      |    |
|                    |                            | REFSEL = INTERNAL or V <sub>DD</sub> | f <sub>ADC</sub> = 15 ksps  | -                             | 0.4  | 1.0  |      |    |
|                    |                            | 1.5V ≤ V <sub>REF</sub>              |                             |                               |      |      |      |    |
| EABS               | Absolute accuracy          | REFSEL = INTERNAL                    | T = [0-105]°C               | -                             | <10  | 30   | LSB  |    |
|                    |                            | V <sub>REF</sub> = 1.1V              |                             | V <sub>DD</sub> = [1.8V-3.6V] |      |      |      |    |
|                    |                            |                                      |                             | V <sub>DD</sub> = [1.8V-3.6V] | -    | <15  |      | 40 |
|                    |                            | REFSEL = V <sub>DD</sub>             |                             | -                             | 2.5  | 5    |      |    |
|                    |                            | REFSEL = INTERNAL                    |                             | -                             | <35  | 65   |      |    |
|                    |                            |                                      |                             |                               |      |      |      |    |
| EGAIN              | Gain error                 | REFSEL = INTERNAL                    | T = [0-105]°C               | -25                           | ±15  | 25   | LSB  |    |
|                    |                            | V <sub>REF</sub> = 1.1V              |                             | V <sub>DD</sub> = [1.8V-3.6V] |      |      |      |    |
|                    |                            |                                      |                             | V <sub>DD</sub> = [1.8V-3.6V] | -35  | ±20  |      | 35 |
|                    |                            | REFSEL = V <sub>DD</sub>             |                             | -1                            | 2    | 4    |      |    |
|                    |                            | REFSEL = INTERNAL                    |                             | -60                           | ±35  | 60   |      |    |
| EOFF               | Offset error               | REFSEL = INTERNAL                    |                             | -5                            | -1   | 2    | LSB  |    |
|                    |                            | V <sub>REF</sub> = 0.55V             |                             |                               |      |      |      |    |
|                    |                            | REFSEL = INTERNAL                    |                             | -4                            | -0.5 | 2    | LSB  |    |
|                    |                            | 1.1V ≤ V <sub>REF</sub>              |                             |                               |      |      |      |    |

**Notes:**

1. A DNL error of less than or equal to 1 LSB ensures a monotonic transfer function with no missing codes.
2. These parameters are for design guidance only and are not production tested.
3. Reference setting and f<sub>ADC</sub> must fulfill the specification in “Clock and Timing Characteristics” and “Power Supply, Reference, and Input Range” tables.

### 32.16.2 External Reference Characteristics

Operating conditions:

- $V_{DD} = 1.8$  to  $5.5V$
- Temperature =  $-40^{\circ}C$  to  $125^{\circ}C$
- DUTYCYC = 25%
- $CLK_{ADC} = 13 * f_{ADC}$
- SAMPCAP is 5 pF

The accuracy characteristics numbers are based on the characterization of the following input reference levels and  $V_{DD}$  ranges:

- $V_{REF} = 1.8V$ ,  $V_{DD} = 1.8$  to  $5.5V$
- $V_{REF} = 2.6V$ ,  $V_{DD} = 2.7$  to  $5.5V$
- $V_{REF} = 4.096V$ ,  $V_{DD} = 4.5$  to  $5.5V$
- $V_{REF} = 4.3V$ ,  $V_{DD} = 4.5$  to  $5.5V$

**Table 32-28. ADC Accuracy Characteristics External Reference<sup>(2)</sup>**

| Symbol             | Description                | Conditions           | Min. | Typ. | Max. | Unit |
|--------------------|----------------------------|----------------------|------|------|------|------|
| Res                | Resolution                 |                      | -    | 10   | -    | bit  |
| INL                | Integral Non-linearity     | $f_{ADC} = 15$ ksps  | -    | 0.9  | 3.5  | LSB  |
|                    |                            | $f_{ADC} = 77$ ksps  | -    | 0.9  | 3.5  |      |
|                    |                            | $f_{ADC} = 115$ ksps | -    | 1.2  | 3.5  |      |
| DNL <sup>(1)</sup> | Differential Non-linearity | $f_{ADC} = 15$ ksps  | -    | 0.2  | 1.0  | LSB  |
|                    |                            | $f_{ADC} = 77$ ksps  | -    | 0.4  | 1.0  |      |
|                    |                            | $f_{ADC} = 115$ ksps | -    | 0.8  | 2.0  |      |
| EABS               | Absolute accuracy          | $f_{ADC} = 15$ ksps  | -    | 2    | 5    | LSB  |
|                    |                            | $f_{ADC} = 77$ ksps  | -    | 2    | 5    |      |
|                    |                            | $f_{ADC} = 115$ ksps | -    | 2    | 5    |      |
| EGAIN              | Gain error                 | $f_{ADC} = 15$ ksps  | -1   | 2    | 4    | LSB  |
|                    |                            | $f_{ADC} = 77$ ksps  | -1   | 2    | 4    |      |
|                    |                            | $f_{ADC} = 115$ ksps | -1   | 2    | 4    |      |
| E0FF               | Offset error               |                      | -4   | -0.5 | 2    | LSB  |

**Notes:**

1. A DNL error of less than or equal to 1 LSB ensures a monotonic transfer function with no missing codes.
2. These parameters are for design guidance only. Not production tested.

### 32.17 TEMPSENSE

Operating conditions:

- $V_{DD} = 3V$
- $T_A = 25^{\circ}C$  (unless otherwise stated)

**Table 32-29. Temperature Sensor, Accuracy Characteristics**

| Symbol   | Description    | Condition | Min. | Typ. | Max. | Unit |
|----------|----------------|-----------|------|------|------|------|
| $V_{DD}$ | Supply voltage |           | 1.8  | -    | 5.5  | V    |



.....continued

| Symbol            | Description                      | Condition             | Min. | Typ. | Max. | Unit |
|-------------------|----------------------------------|-----------------------|------|------|------|------|
| T <sub>ACC</sub>  | Sensor accuracy <sup>(1,2)</sup> | T <sub>A</sub> = 25°C | -    | ±3   | -    | °C   |
| T <sub>RES</sub>  | Conversion resolution            | 10 bits               | -    | 0.55 | -    | °C   |
| t <sub>CONV</sub> | Conversion time                  | 1 MHz ADC clock       | -    | 13   | -    | µs   |

**Notes:**

1. These values are based on characterization and are not covered by production test limits.
2. Find temperature characteristics in the *Typical Characteristics* section.

**32.18 AC**

**Table 32-30. Analog Comparator Characteristics, Low-Power Mode Disabled**

| Symbol             | Description           | Condition  | Min. | Typ. | Max.            | Unit |
|--------------------|-----------------------|--|------|------|-----------------|------|
| V <sub>IN</sub>    | Input voltage         |  | -0.2 | -    | V <sub>DD</sub> | V    |
| C <sub>IN</sub>    | Input pin capacitance | PD1 to PD6                                       | -    | 3.5  | -               | pF   |
|                    |                       | PD7  | -    | 14   | -               |      |
| V <sub>OFF</sub>   | Input offset voltage  | 0.7V < V <sub>IN</sub> < (V <sub>DD</sub> -0.7V) | -20  | ±5   | +20             | mV   |
|                    |                       | V <sub>IN</sub> = [-0.2V, V <sub>DD</sub> ]      | -40  | ±20  | +40             |      |
| I <sub>L</sub>     | Input leakage current |  | -    | 5    | -               | nA   |
| T <sub>START</sub> | Start-up time         |  | -    | 1.3  | -               | µs   |
| V <sub>HYS</sub>   | Hysteresis            | HYSMODE = 0x0                                    | 0    | 0    | 10              | mV   |
|                    |                       | HYSMODE = 0x1                                    | 0    | 10   | 30              |      |
|                    |                       | HYSMODE = 0x2                                    | 10   | 30   | 90              |      |
|                    |                       | HYSMODE = 0x3                                    | 20   | 60   | 150             |      |
| t <sub>PD</sub>    | Propagation delay     | 25 mV Overdrive, V <sub>DD</sub> ≥ 2.7V          | -    | 50   | -               | ns   |

**Table 32-31. Analog Comparator Characteristics, Low-Power Mode Enabled**

| Symbol             | Description           | Condition  | Min. | Typ. | Max.            | Unit |
|--------------------|-----------------------|--|------|------|-----------------|------|
| V <sub>IN</sub>    | Input voltage         |  | -0.2 | -    | V <sub>DD</sub> | V    |
| C <sub>IN</sub>    | Input pin capacitance | PD1 to PD6                                       | -    | 3.5  | -               | pF   |
|                    |                       | PD7  | -    | 14   | -               |      |
| V <sub>OFF</sub>   | Input offset voltage  | 0.7V < V <sub>IN</sub> < (V <sub>DD</sub> -0.7V) | -30  | ±10  | +30             | mV   |
|                    |                       | V <sub>IN</sub> = [0V, V <sub>DD</sub> ]         | -50  | ±30  | +50             |      |
| I <sub>L</sub>     | Input leakage current |  | -    | 5    | -               | nA   |
| T <sub>START</sub> | Start-up time         |  | -    | 1.3  | -               | µs   |

.....continued

| Symbol           | Description       | Condition                               | Min. | Typ. | Max. | Unit |
|------------------|-------------------|---|------|------|------|------|
| V <sub>HYS</sub> | Hysteresis        | HYSMODE = 0x0                           | 0    | 0    | 10   | mV   |
|                  |                   | HYSMODE = 0x1                           | 0    | 10   | 30   |      |
|                  |                   | HYSMODE = 0x2                           | 5    | 25   | 90   |      |
|                  |                   | HYSMODE = 0x3                           | 12   | 50   | 190  |      |
| t <sub>PD</sub>  | Propagation delay | 25 mV overdrive, V <sub>DD</sub> ≥ 2.7V | -    | 150  | -    | ns   |

### 32.19 UPDI

Figure 32-10. UPDI Enable Sequence <sup>(1)</sup>

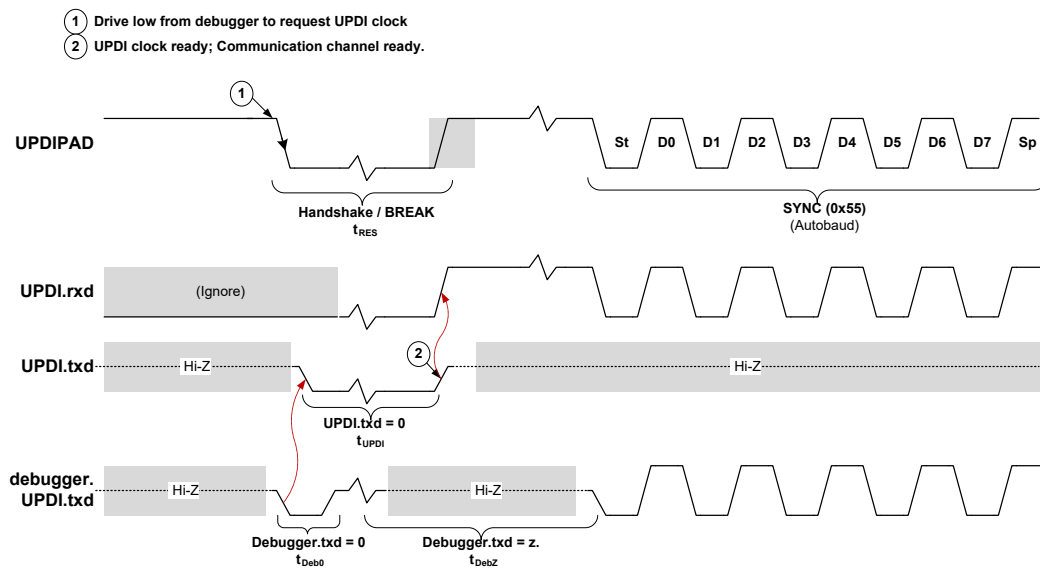


Table 32-32. UPDI Timing<sup>(1)</sup>

| Symbol            | Description                          | Min. | Max.  | Unit |
|-------------------|--------------------------------------|------|-------|------|
| T <sub>RES</sub>  | Duration of Handshake/Break on RESET | 10   | 200   | μs   |
| T <sub>UPDI</sub> | Duration of UPDI.txd = 0             | 10   | 200   | μs   |
| T <sub>Deb0</sub> | Duration of Debugger.txd = 0         | 0.2  | 1     | μs   |
| T <sub>DebZ</sub> | Duration of Debugger.txd = z         | 200  | 14000 | μs   |

**Note:**

- These parameters are for design guidance only and are not production tested.

**Table 32-33. UPDI Max. Bit Rates vs. VDD<sup>(1)</sup>**

| Symbol            | Description    | Condition   | Max | Unit |
|-------------------|----------------|---|-----|------|
| f <sub>UPDI</sub> | UPDI baud rate | V <sub>DD</sub> = [1.8, 5.5]V<br>T <sub>A</sub> = [0, 50]°C | 225 | kbps |
|                   |                | V <sub>DD</sub> = [2.2, 5.5]V<br>T <sub>A</sub> = [0, 50]°C | 450 |      |
|                   |                | V <sub>DD</sub> = [2.7, 5.5]V<br>T <sub>A</sub> = [0, 50]°C | 0.9 | Mbps |
|                   |                | V <sub>DD</sub> = [4.5, 5.5]V<br>T <sub>A</sub> = [0, 50]°C | 1.8 |      |

**Note:**

1. These parameters are for design guidance only and are not production tested.

### 32.20 Programming Time

See the table below for typical programming times for Flash and EEPROM.

**Table 32-34. Programming Times**

| Symbol                  | Typical Programming Time |
|-------------------------|--------------------------|
| Page Buffer Clear (PBC) | Seven CLK_CPU cycles     |
| Page Write (WP)         | 2 ms                     |
| Page Erase (ER)         | 2 ms                     |
| Page Erase-Write (ERWP) | 4 ms                     |
| Chip Erase with UDPI    | 55 ms                    |
| EEPROM Erase            | 4 ms                     |

### 33. Typical Characteristics

#### 33.1 Power Consumption

##### 33.1.1 Supply Currents in Active Mode

Figure 33-1. Active Supply Current vs. Frequency (1-20 MHz) at T = 25 °C (EXTCLK)

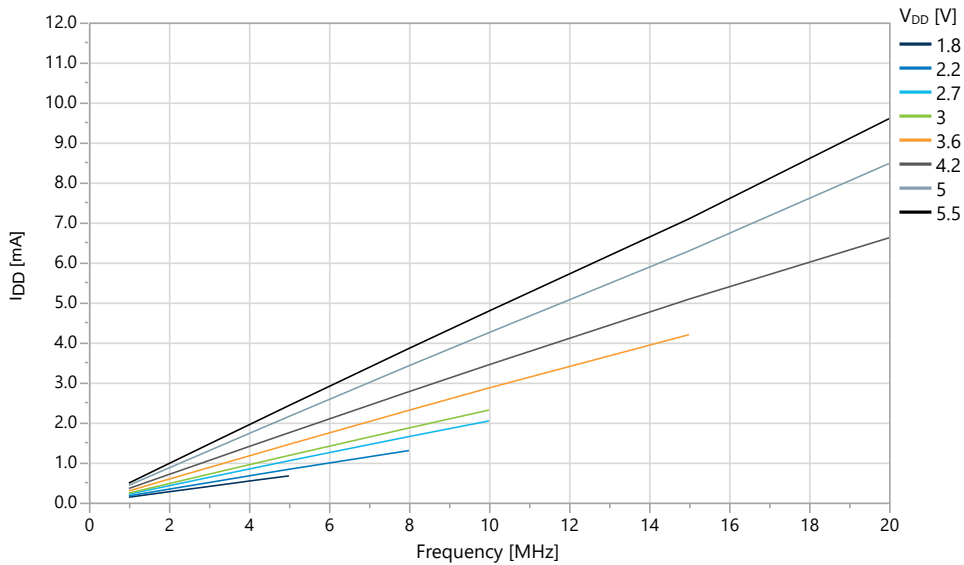


Figure 33-2. Active Supply Current vs. Frequency [0.1, 1.0] MHz at T = 25 °C (EXTCLK)

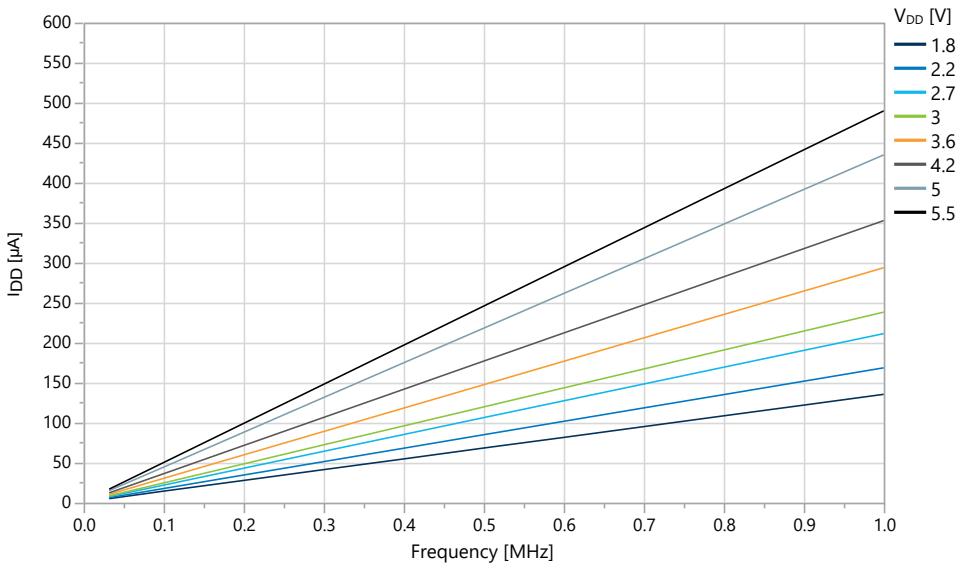


Figure 33-3. Active Supply Current vs. Temperature (f = 20 MHz)

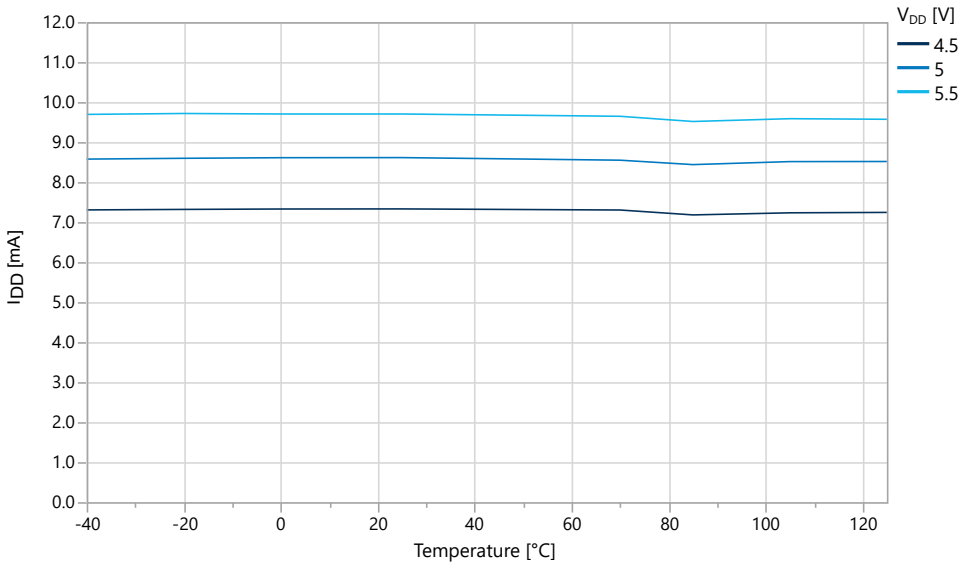
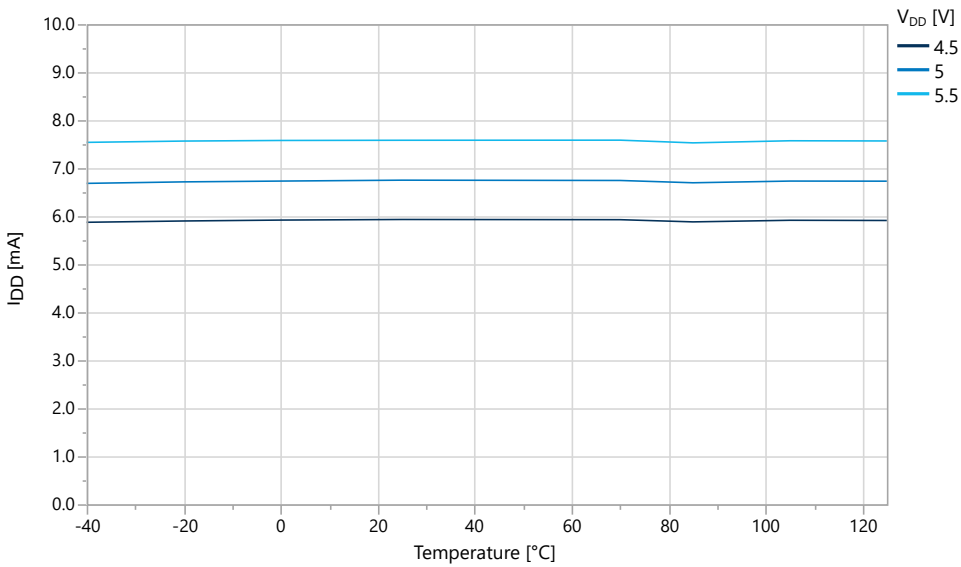
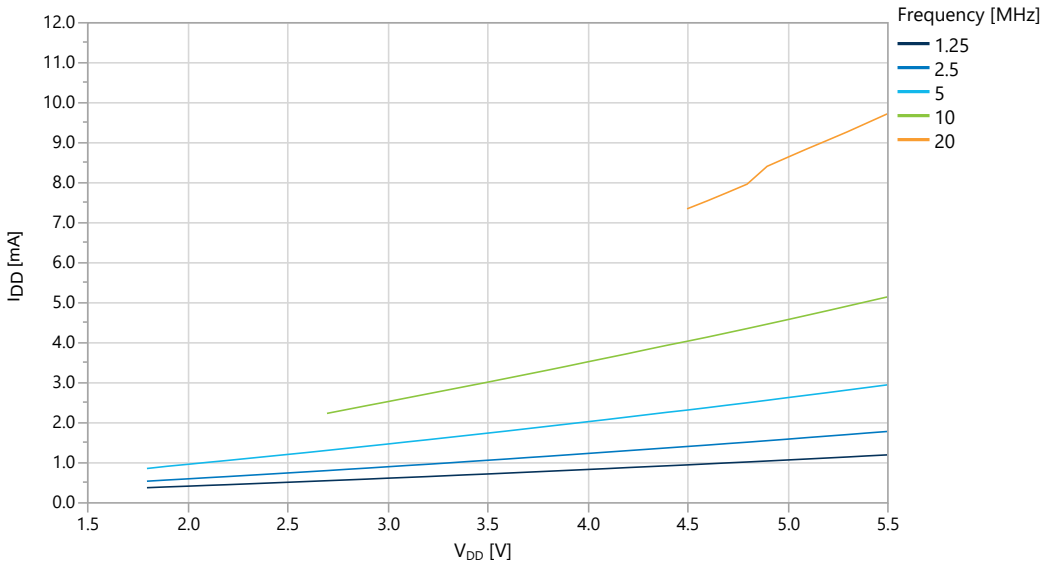


Figure 33-4. Active Supply Current vs. Temperature (f = 16 MHz)



**Figure 33-5. Active Supply Current vs.  $V_{DD}$  (f = [1.25, 20] MHz) at T = 25 °C**



**Figure 33-6. Active Supply Current vs.  $V_{DD}$  (f = [1, 16] MHz) at T = 25 °C**

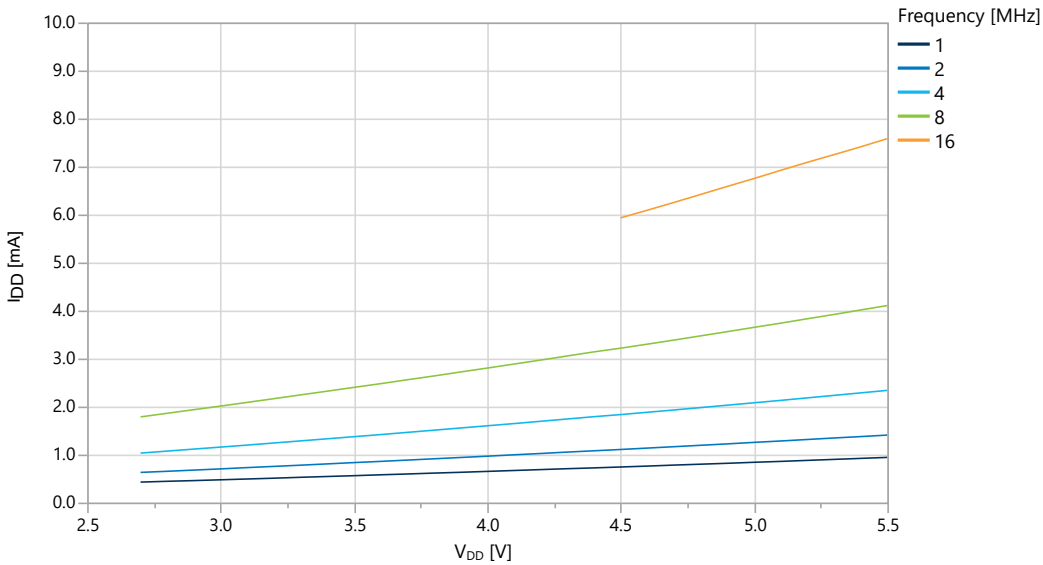
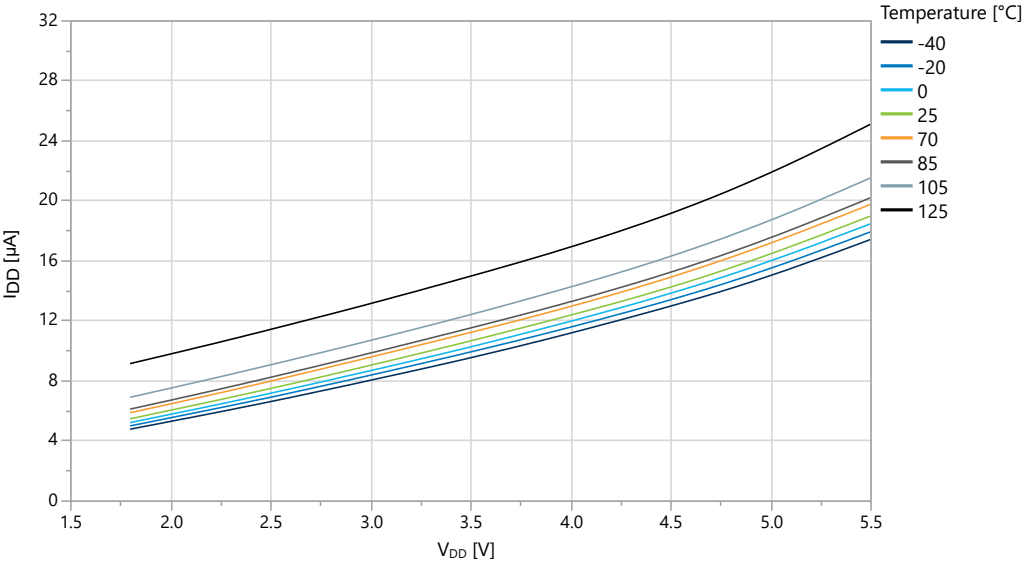
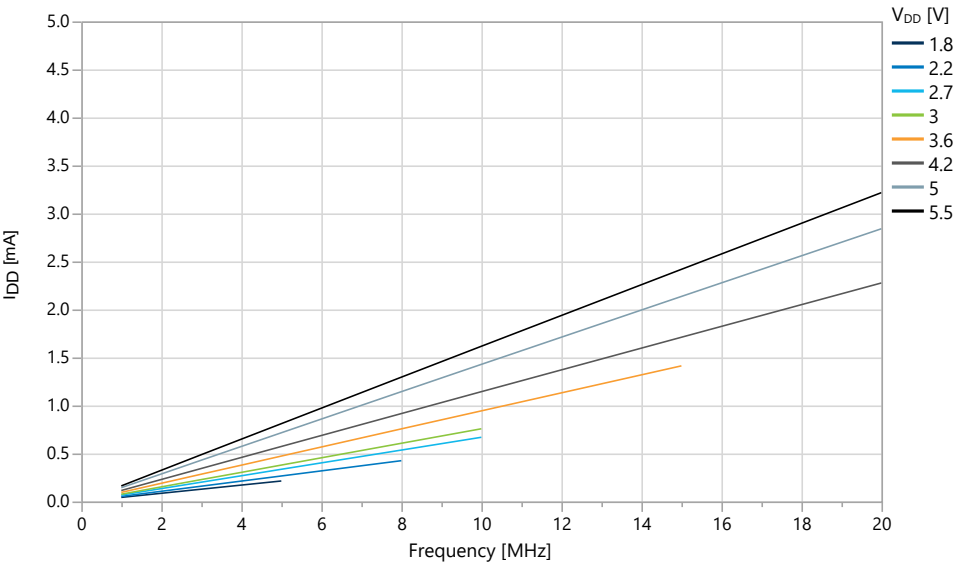


Figure 33-7. Active Supply Current vs.  $V_{DD}$  ( $f = 32.768$  kHz OSCULP32K)

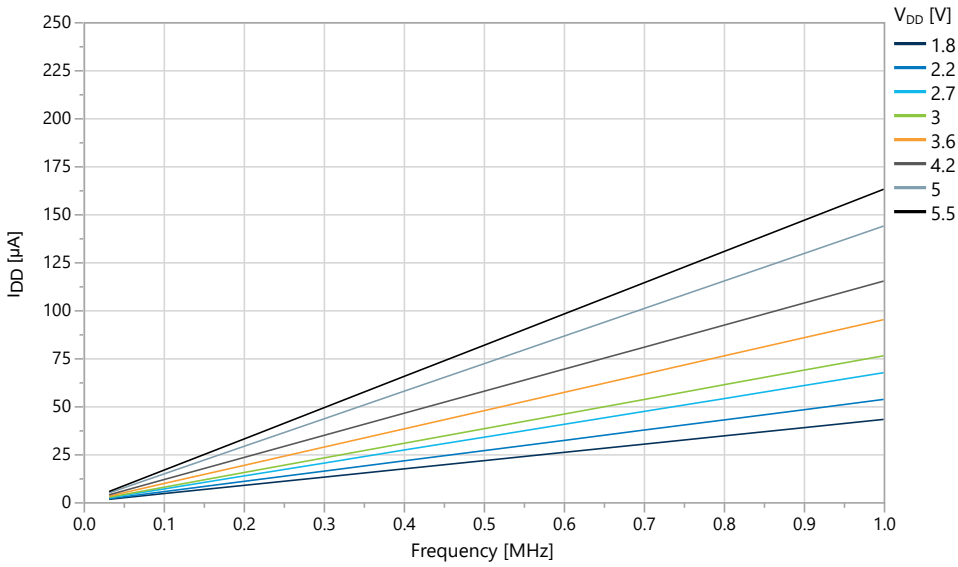


33.1.2 Supply Currents in Idle Mode

Figure 33-8. Idle Supply Current vs. Frequency (1-20 MHz) at  $T = 25$   $^{\circ}C$  (EXTCLK)



**Figure 33-9. Idle Supply Current vs. Low Frequency (0.1-1.0 MHz) at T = 25 °C (EXTCLK)**



**Figure 33-10. Idle Supply Current vs. Temperature (f = 20 MHz)**

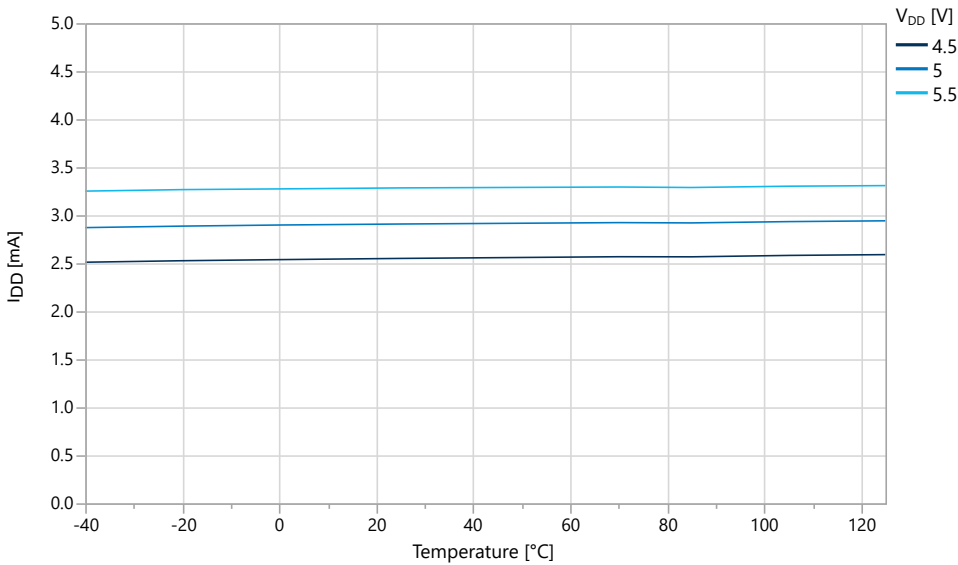




Figure 33-11. Idle Supply Current vs. Temperature (f = 16 MHz)

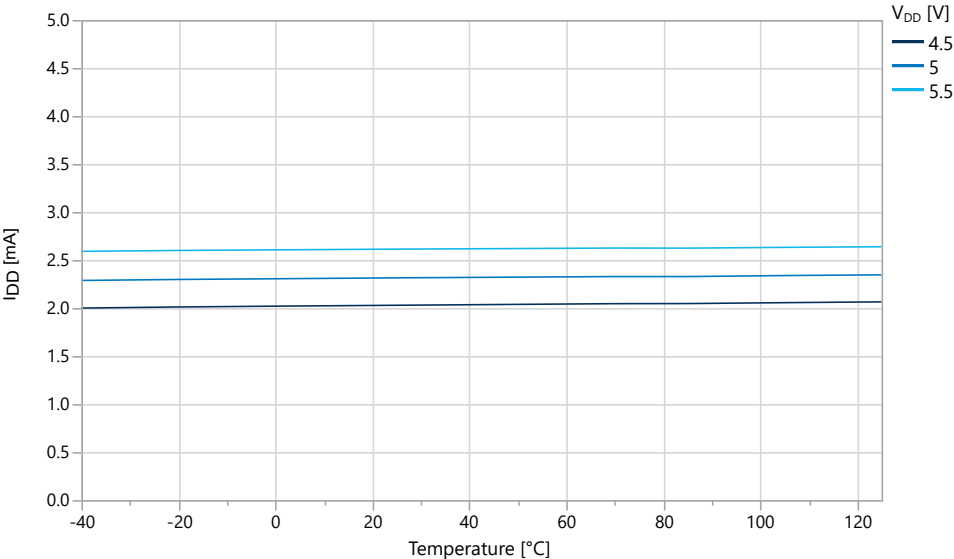
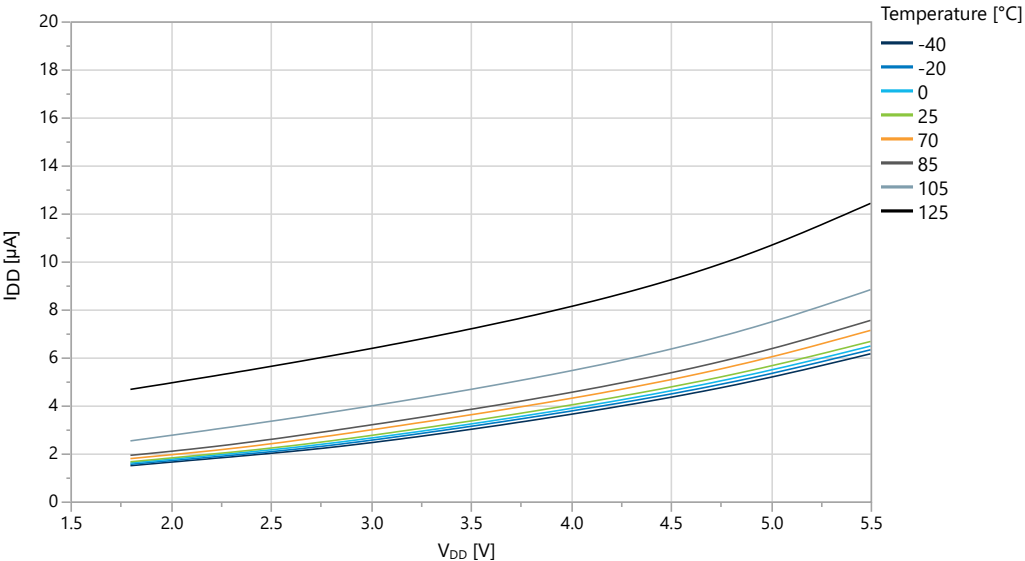


Figure 33-12. Idle Supply Current vs. VDD (f = 32.768 kHz OSCULP32K)



### 33.1.3 Supply Currents in Power-Down Mode

Figure 33-13. Power-Down Mode Supply Current vs. Temperature (all functions disabled)

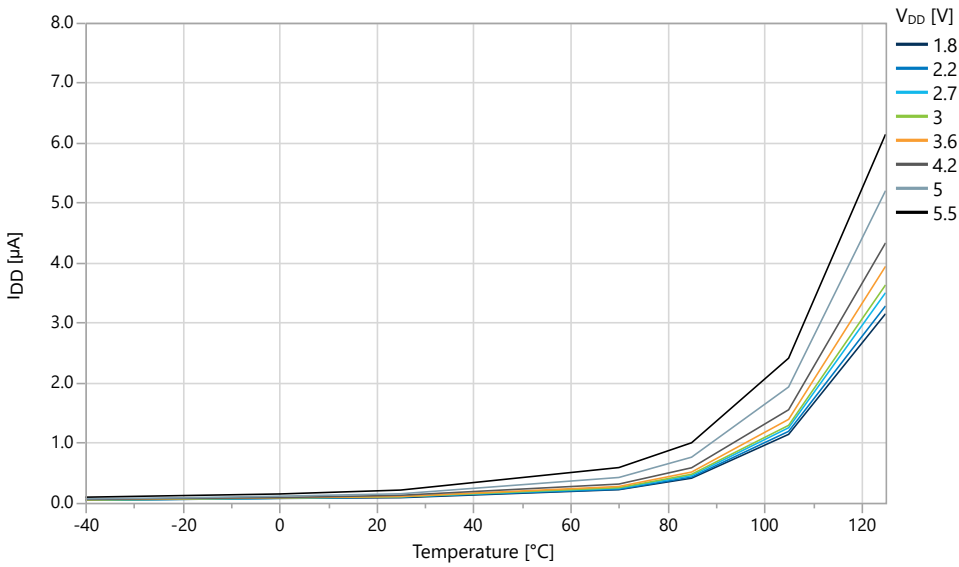
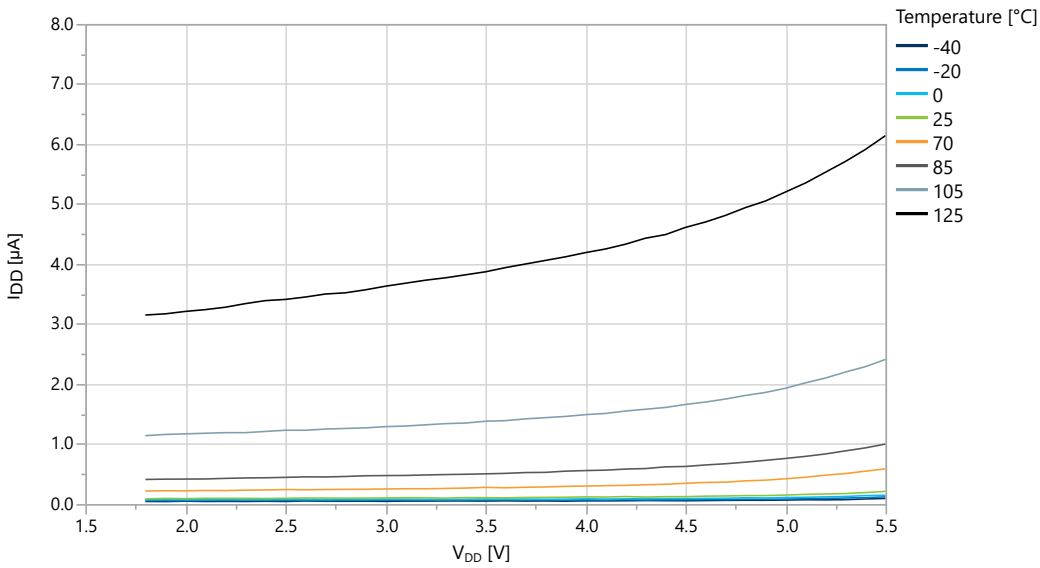


Figure 33-14. Power-Down Mode Supply Current vs.  $V_{DD}$  (all functions disabled)



### 33.1.4 Supply Currents in Standby Mode

Figure 33-15. Standby Mode Supply Current vs.  $V_{DD}$  (RTC running with internal OSCULP32K)

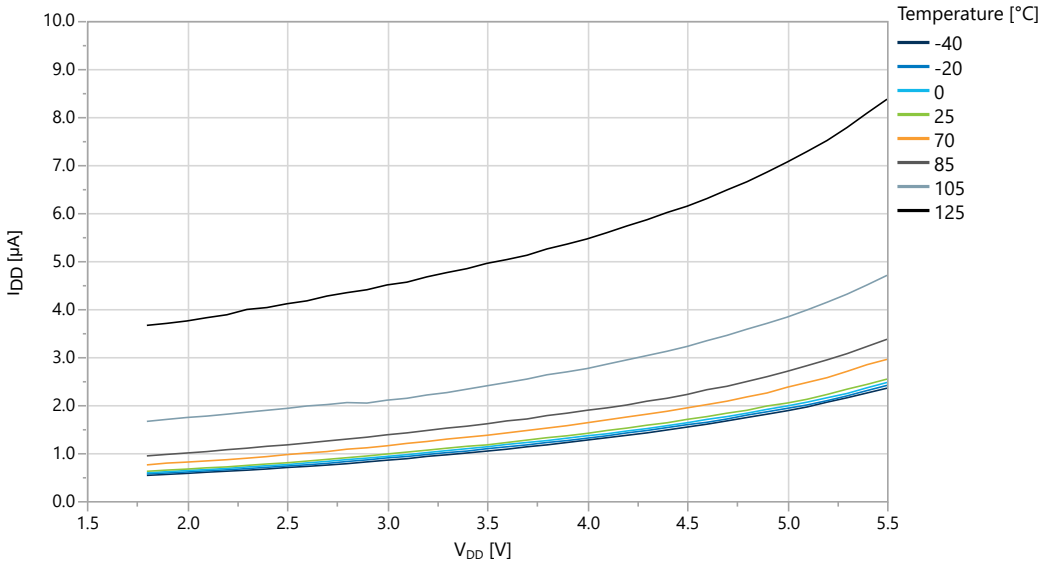


Figure 33-16. Standby Mode Supply Current vs.  $V_{DD}$  (Sampled BOD running at 125 Hz)

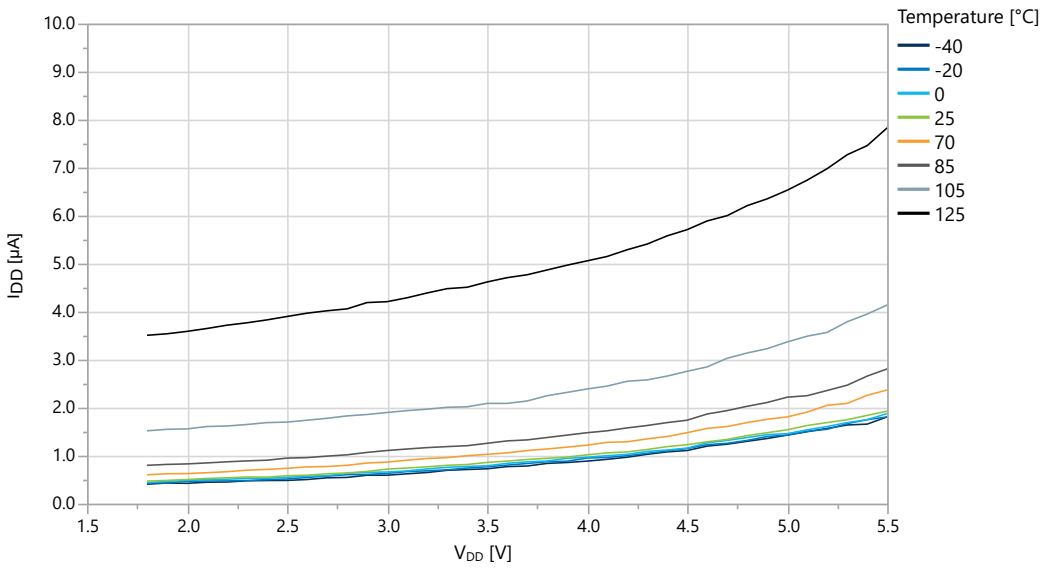
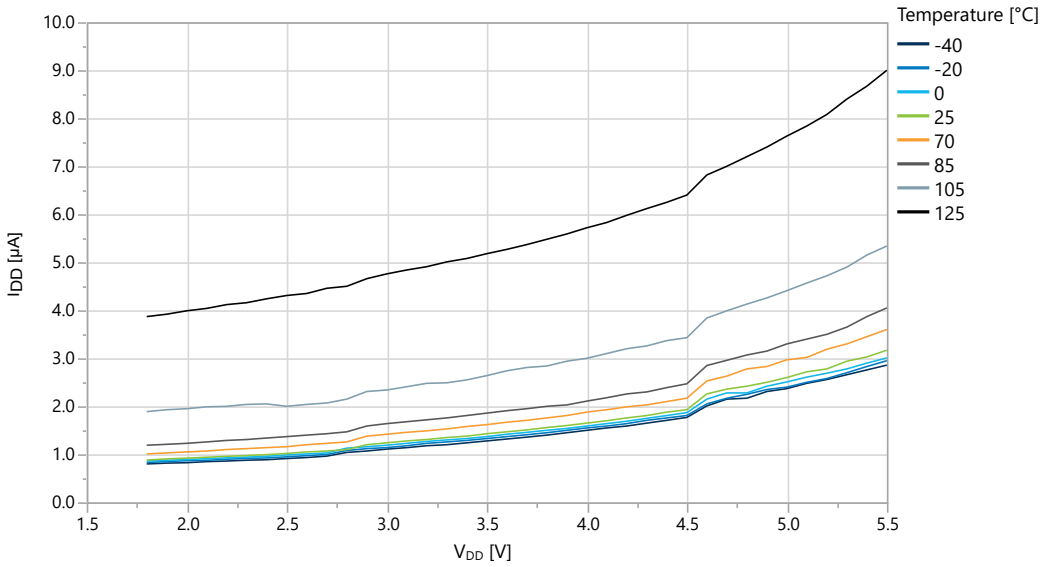
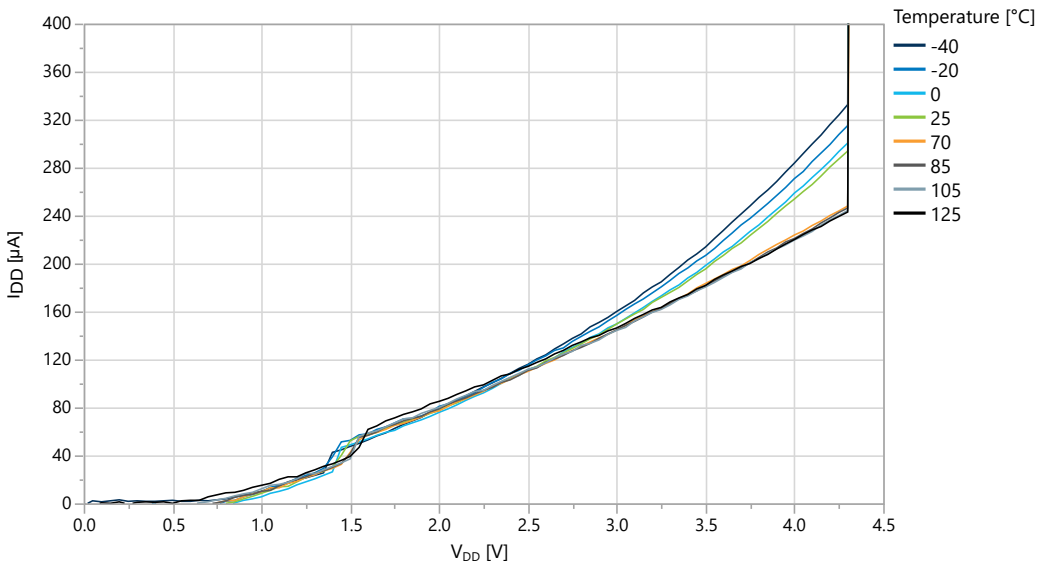


Figure 33-17. Standby Mode Supply Current vs.  $V_{DD}$  (Sampled BOD running at 1 kHz)



### 33.1.5 Power-on Supply Currents

Figure 33-18. Power-on Supply Current vs.  $V_{DD}$  (BODLEVEL7)



33.2 GPIO

GPIO Input Characteristics

Figure 33-19. I/O Pin Input Hysteresis vs. V<sub>DD</sub>

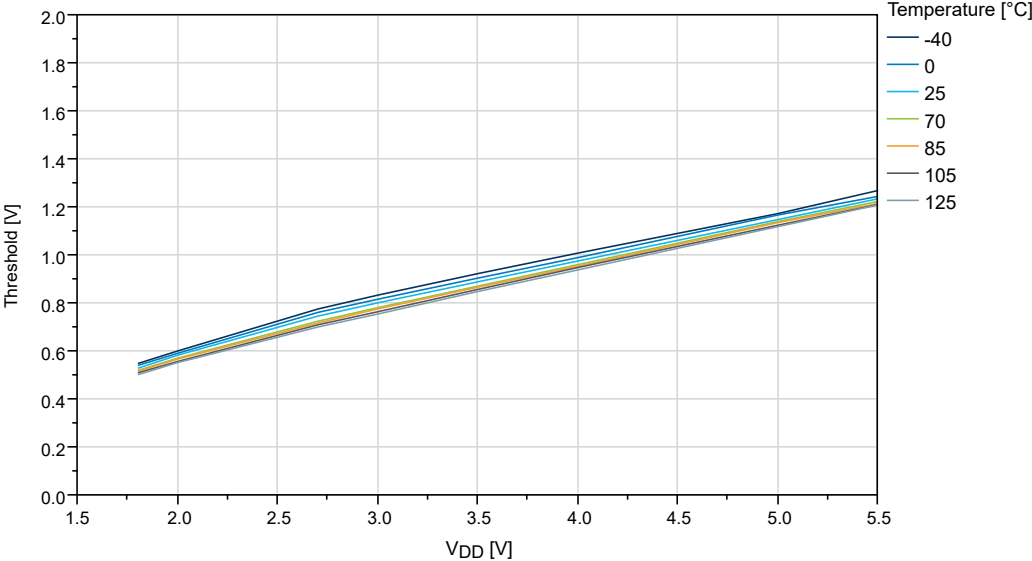
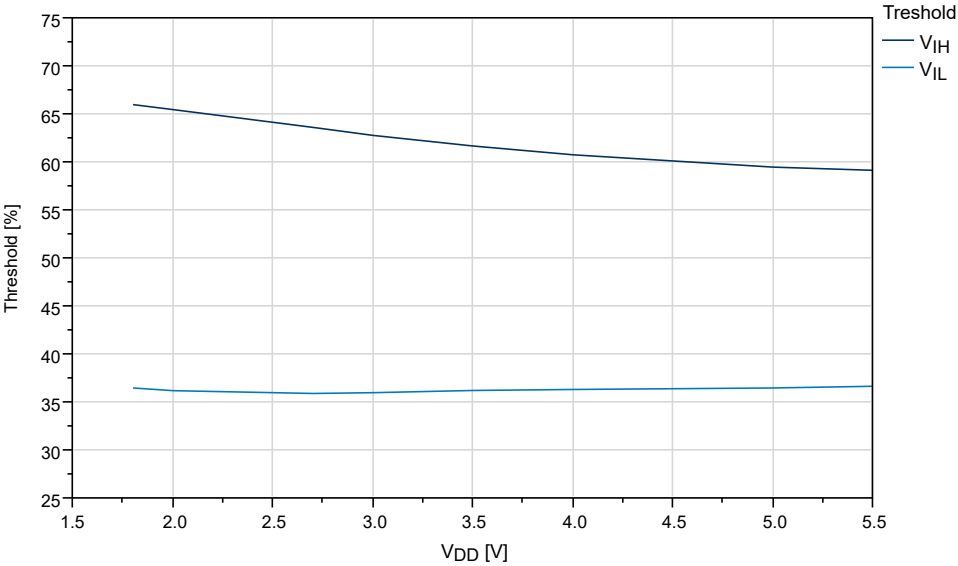
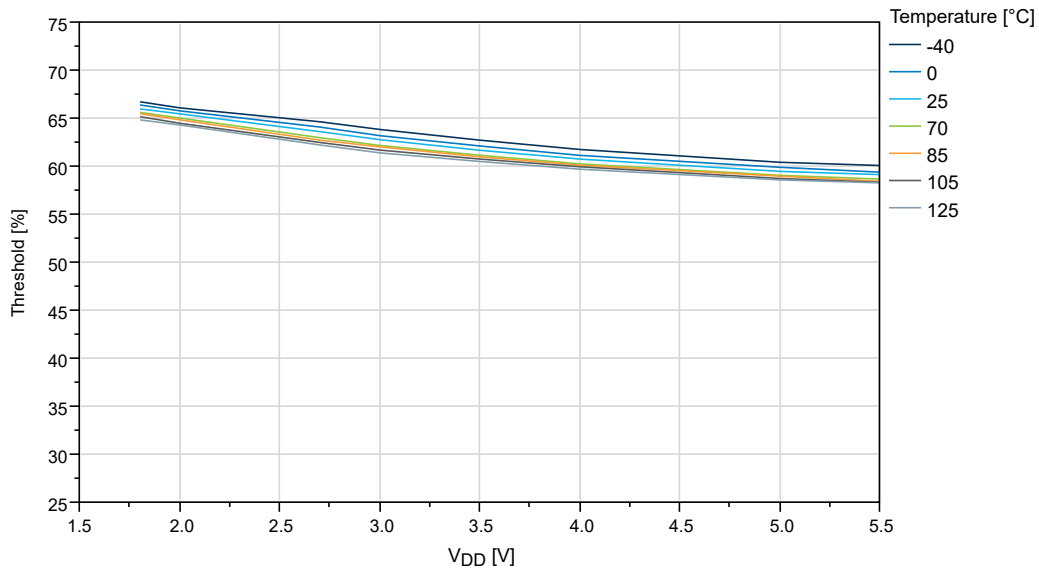


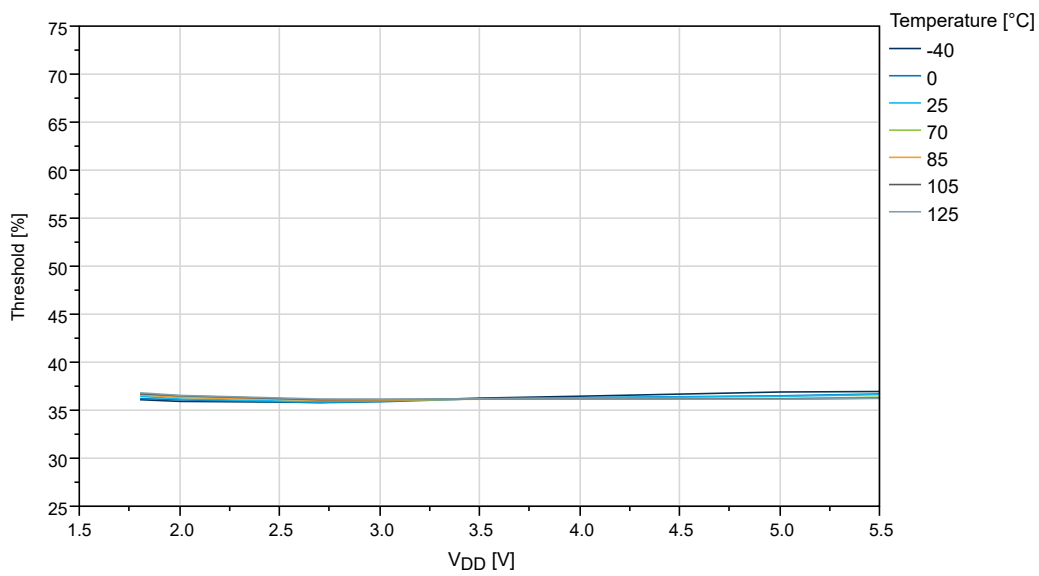
Figure 33-20. I/O Pin Input Threshold Voltage vs. V<sub>DD</sub> (T = 25°C)



**Figure 33-21. I/O Pin Input Threshold Voltage vs.  $V_{DD}$  ( $V_{IH}$ )**



**Figure 33-22. I/O Pin Input Threshold Voltage vs.  $V_{DD}$  ( $V_{IL}$ )**



GPIO Output Characteristics

Figure 33-23. I/O Pin Output Voltage vs. Sink Current ( $V_{DD} = 1.8V$ )

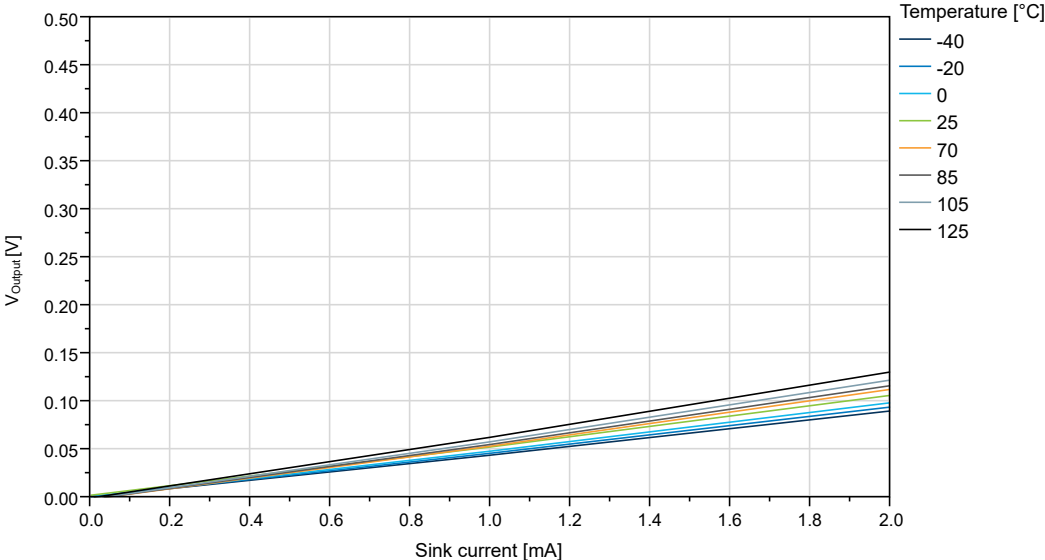
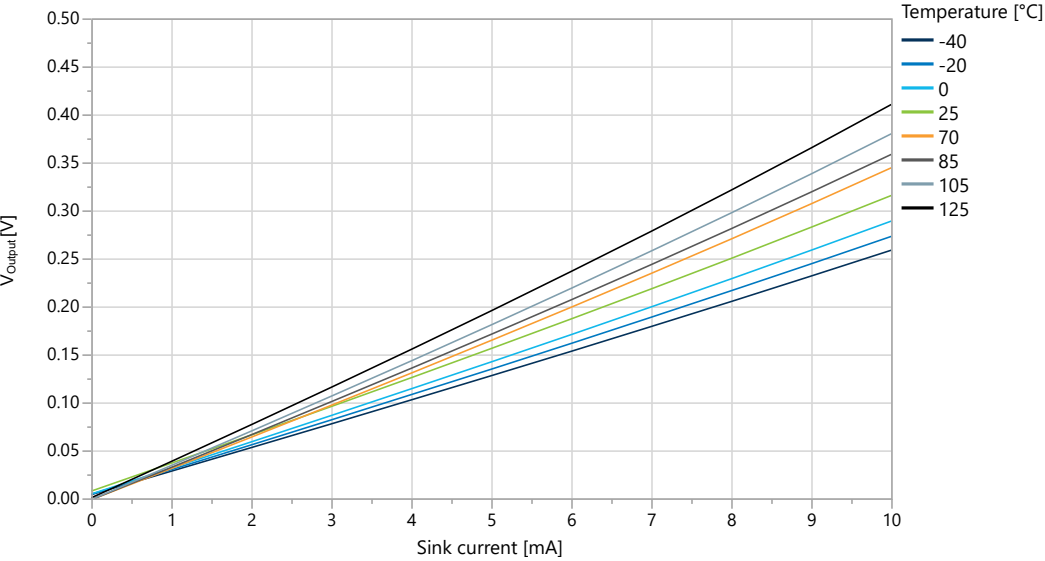
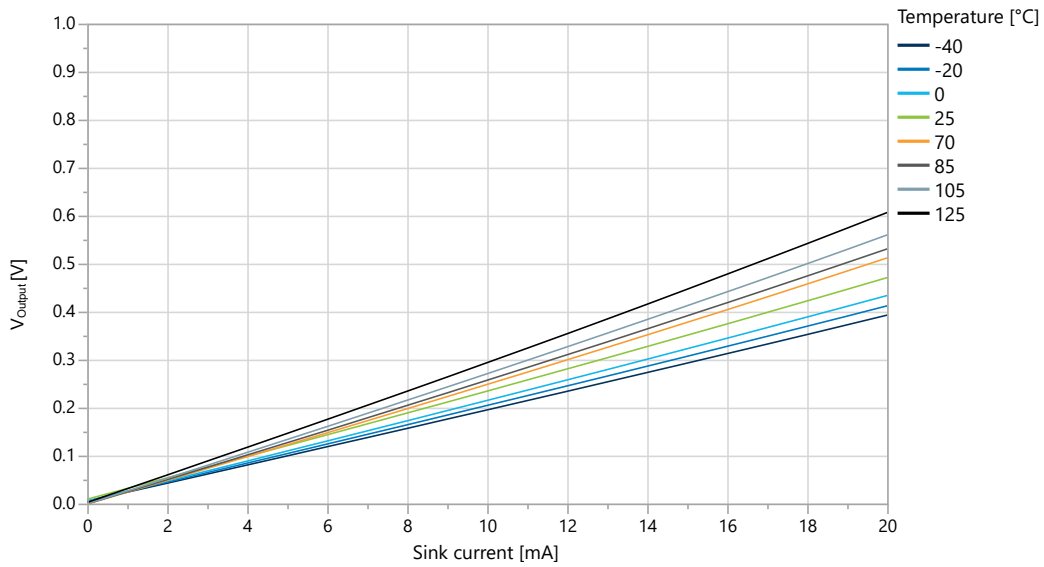


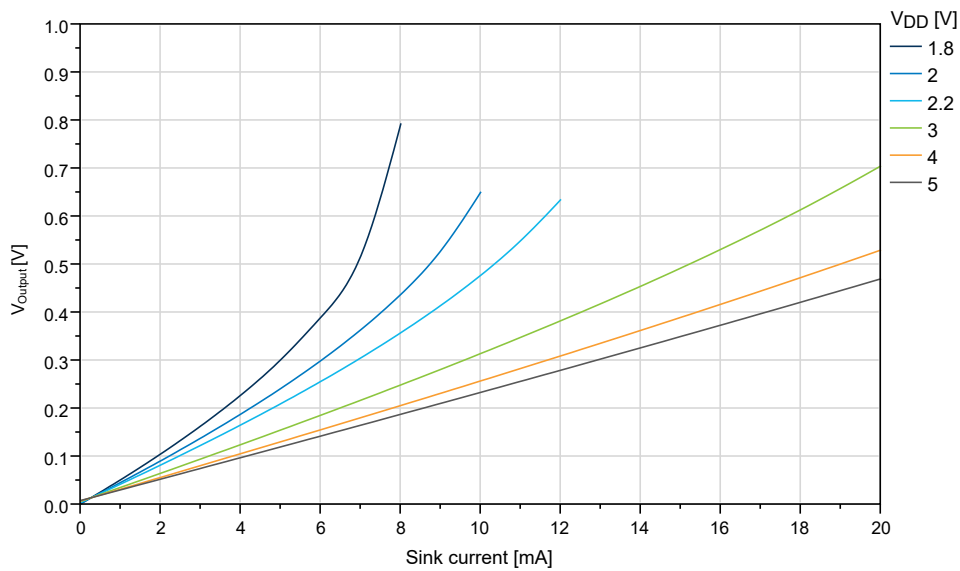
Figure 33-24. I/O Pin Output Voltage vs. Sink Current ( $V_{DD} = 3.0V$ )



**Figure 33-25. I/O Pin Output Voltage vs. Sink Current ( $V_{DD} = 5.0V$ )**

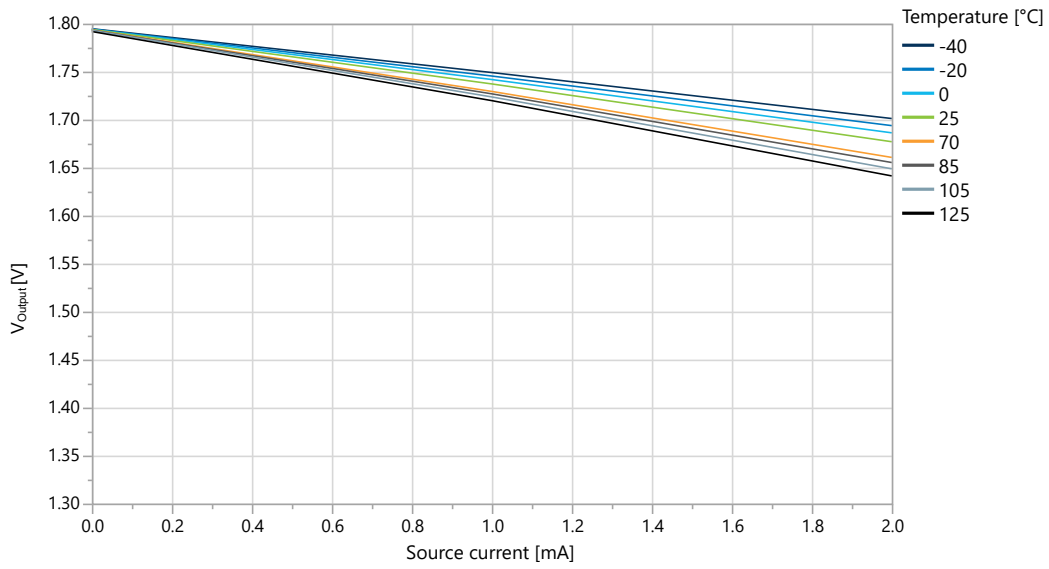


**Figure 33-26. I/O Pin Output Voltage vs. Sink Current ( $T = 25^{\circ}C$ )**

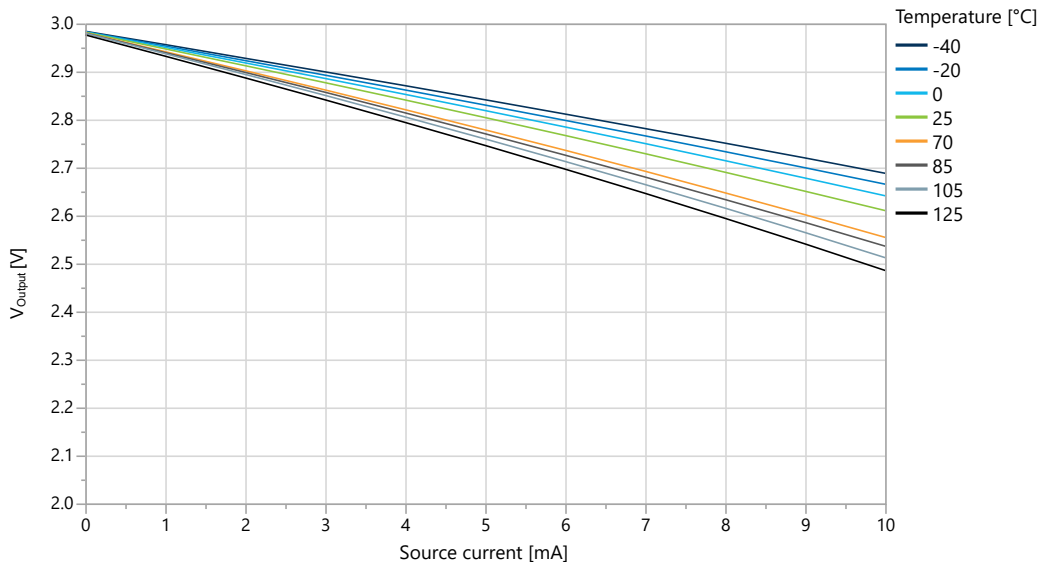




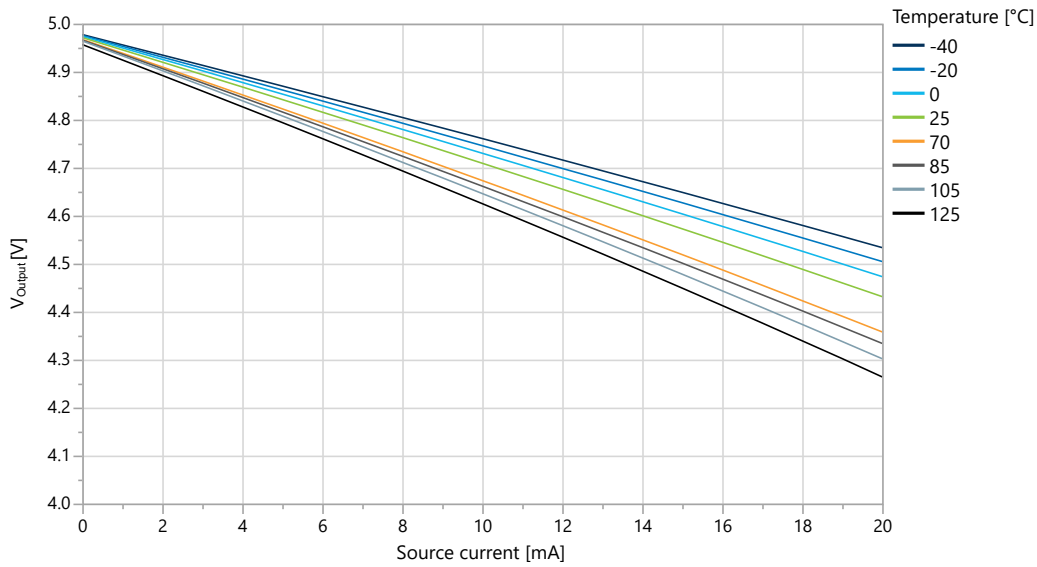
**Figure 33-27. I/O Pin Output Voltage vs. Source Current ( $V_{DD} = 1.8V$ )**



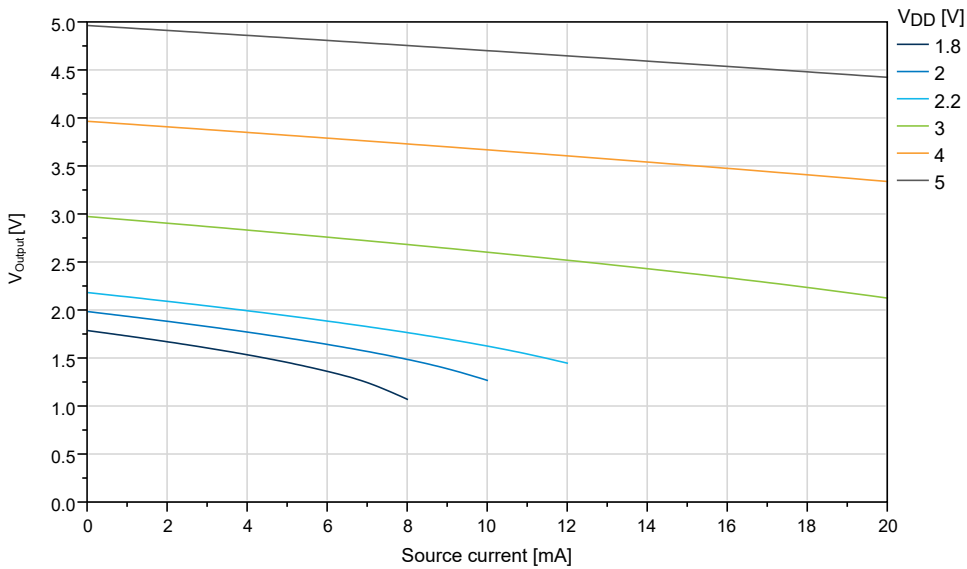
**Figure 33-28. I/O Pin Output Voltage vs. Source Current ( $V_{DD} = 3.0V$ )**



**Figure 33-29. I/O Pin Output Voltage vs. Source Current ( $V_{DD} = 5.0V$ )**



**Figure 33-30. I/O Pin Output Voltage vs. Source Current ( $T = 25^{\circ}C$ )**



### GPIO Pull-Up Characteristics

Figure 33-31. I/O Pin Pull-Up Resistor Current vs. Input Voltage ( $V_{DD} = 1.8V$ )

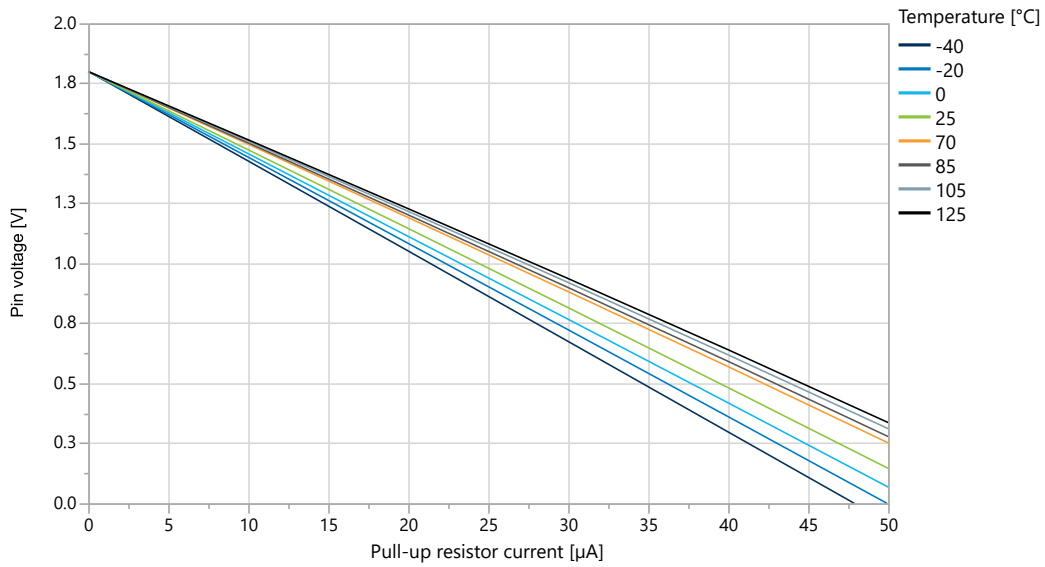


Figure 33-32. I/O Pin Pull-Up Resistor Current vs. Input Voltage ( $V_{DD} = 3.0V$ )

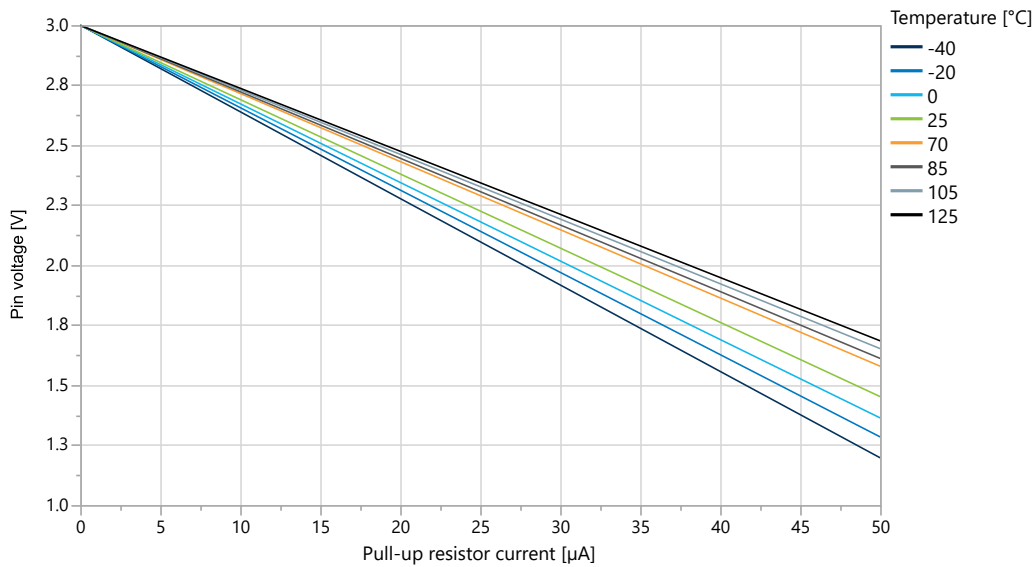
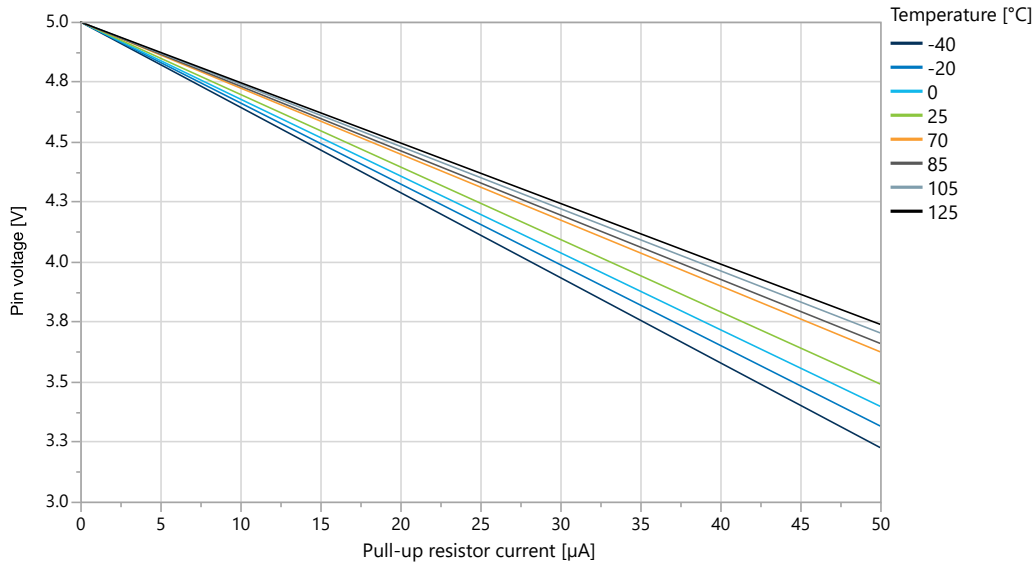


Figure 33-33. I/O Pin Pull-Up Resistor Current vs. Input Voltage ( $V_{DD} = 5.0V$ )



### 33.3 VREF Characteristics

Figure 33-34. Internal 0.55V Reference vs. Temperature

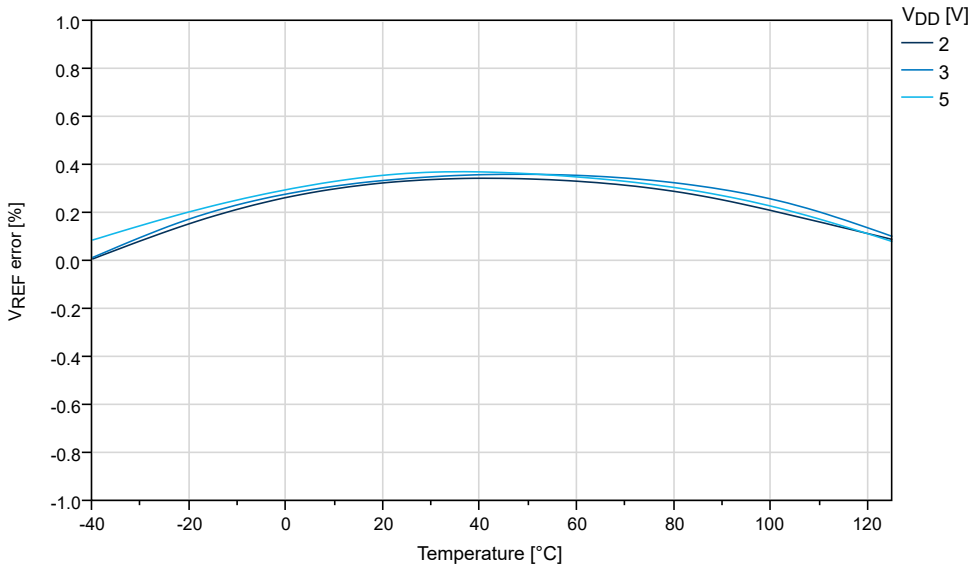


Figure 33-35. Internal 1.1V Reference vs. Temperature

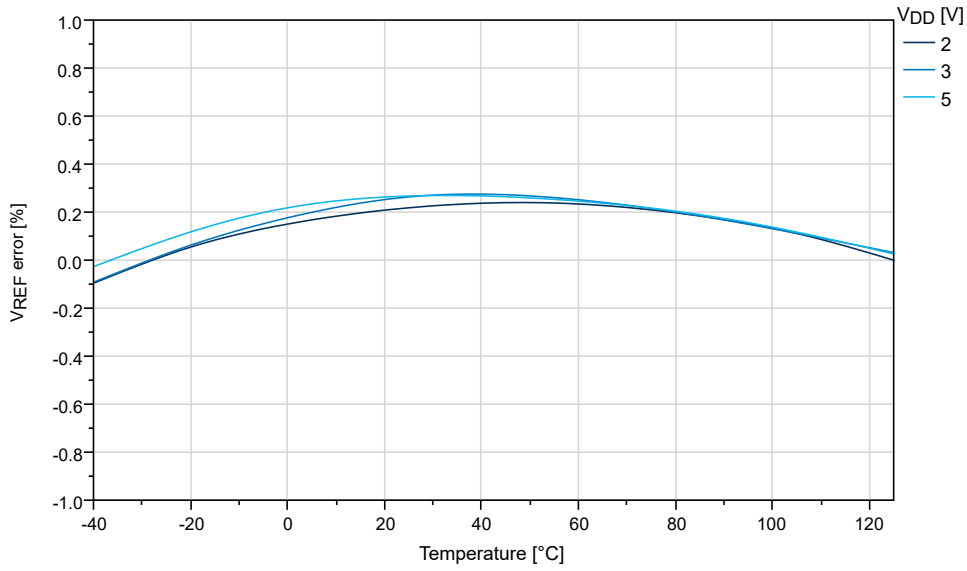


Figure 33-36. Internal 2.5V Reference vs. Temperature

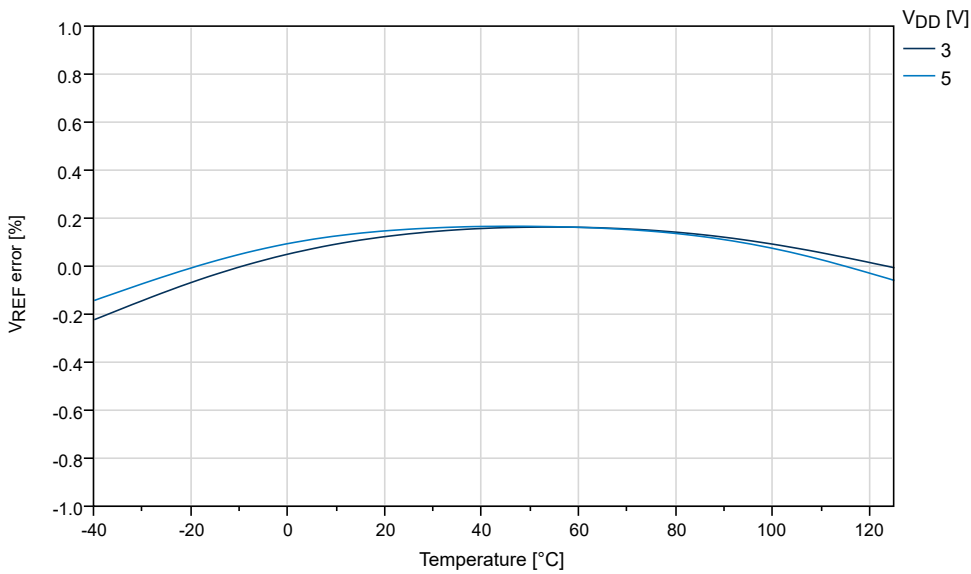
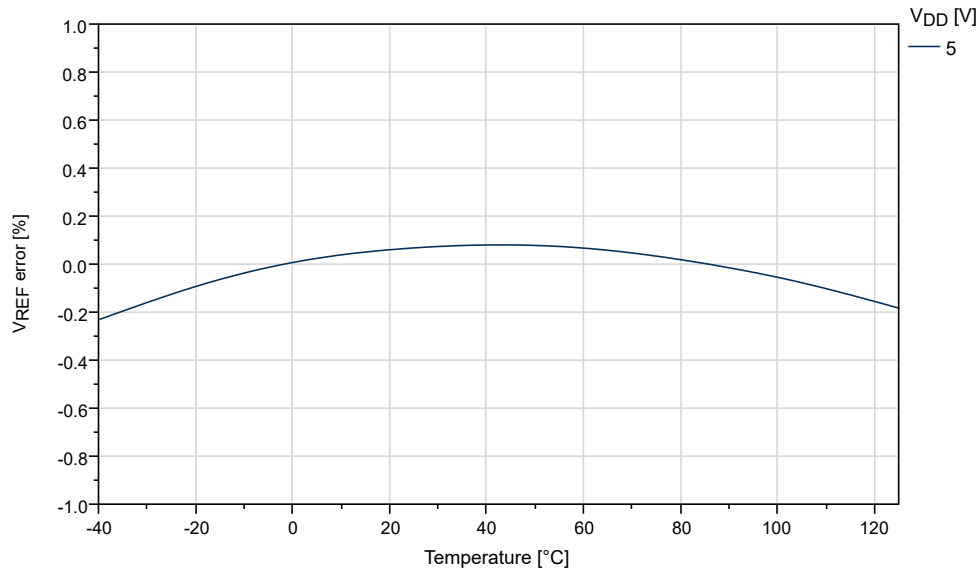


Figure 33-37. Internal 4.3V Reference vs. Temperature



### 33.4 BOD Characteristics

#### BOD Current vs. VDD

Figure 33-38. BOD Current vs. VDD (Continuous Mode enabled)

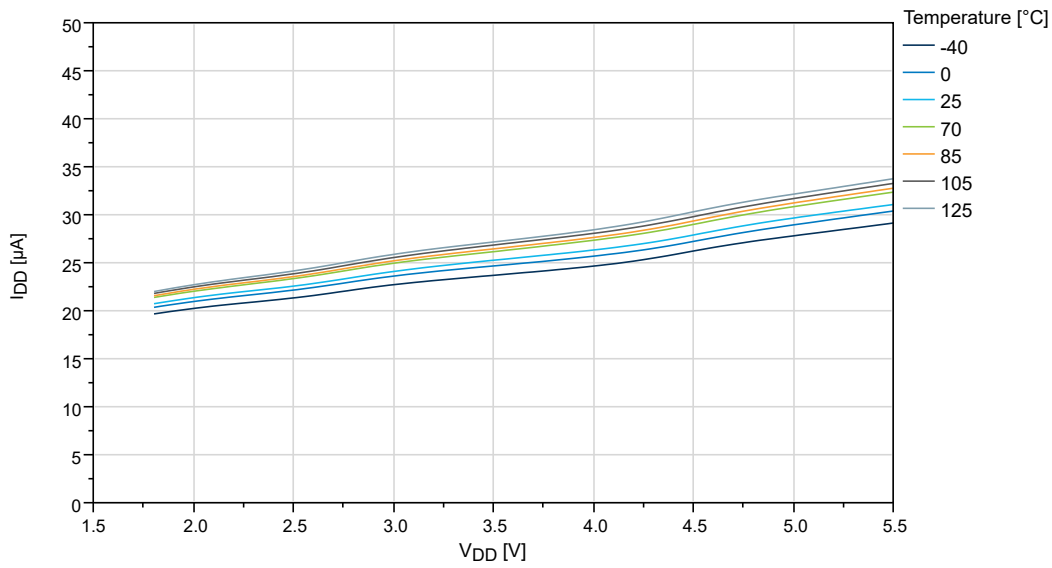


Figure 33-39. BOD Current vs. V<sub>DD</sub> (Sampled BOD at 125 Hz)

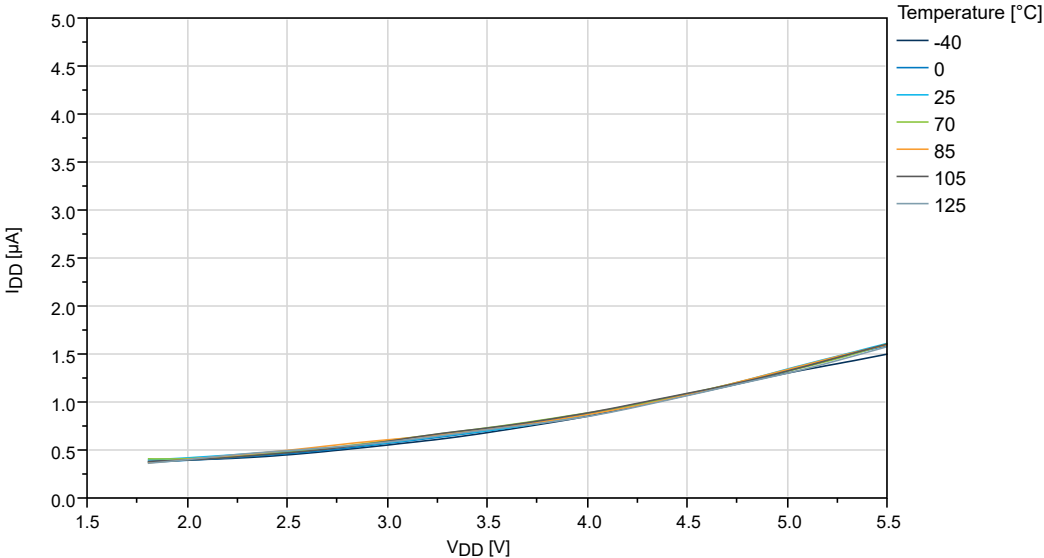
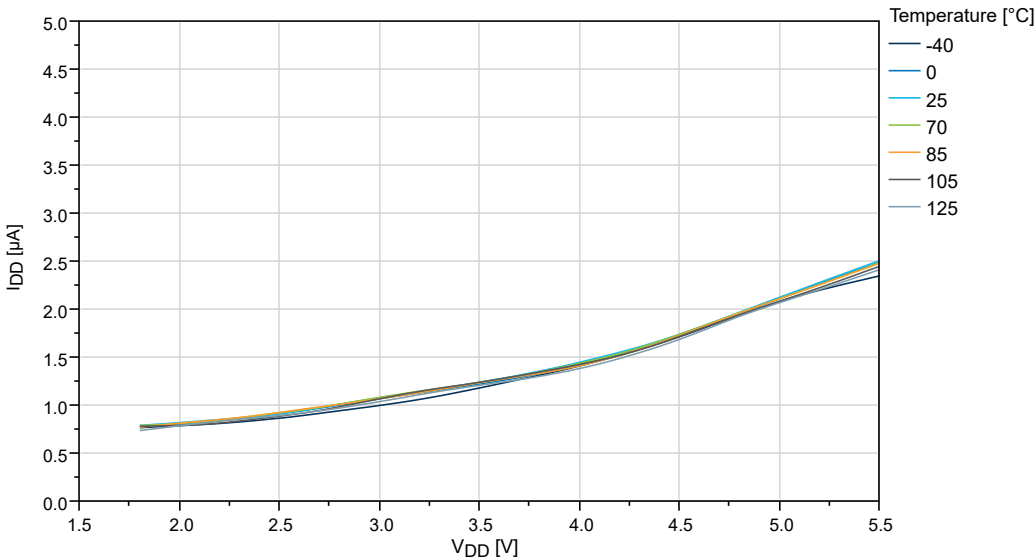
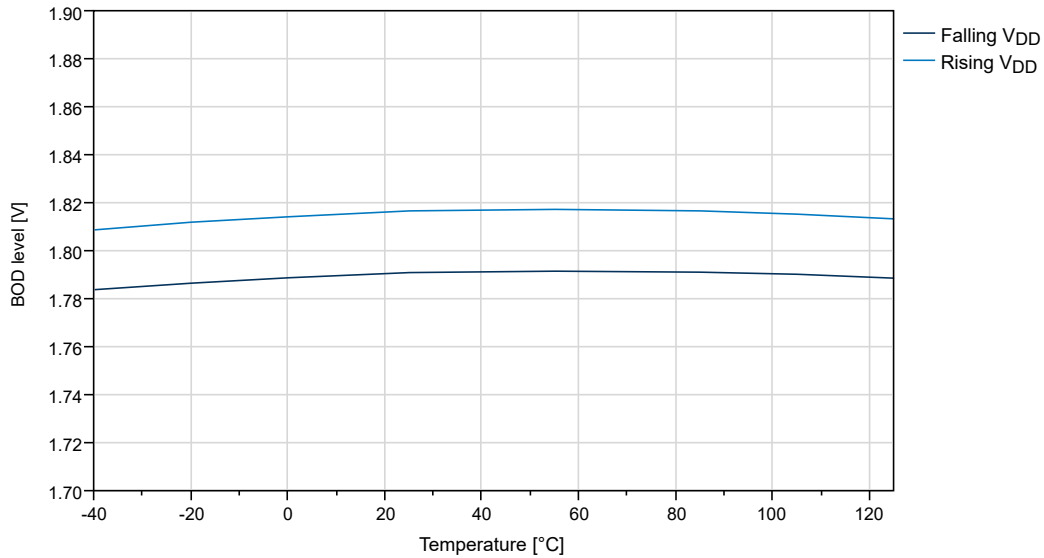


Figure 33-40. BOD Current vs. V<sub>DD</sub> (Sampled BOD at 1 kHz)



**BOD Threshold vs. Temperature**

**Figure 33-41. BOD Threshold vs. Temperature (BODLEVEL0)**



**Figure 33-42. BOD Threshold vs. Temperature (BODLEVEL2)**

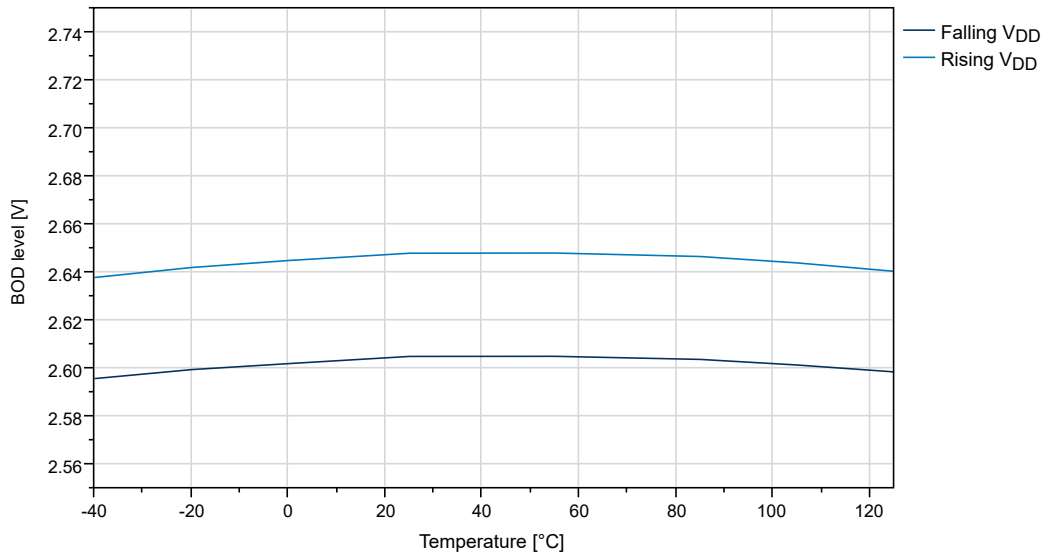
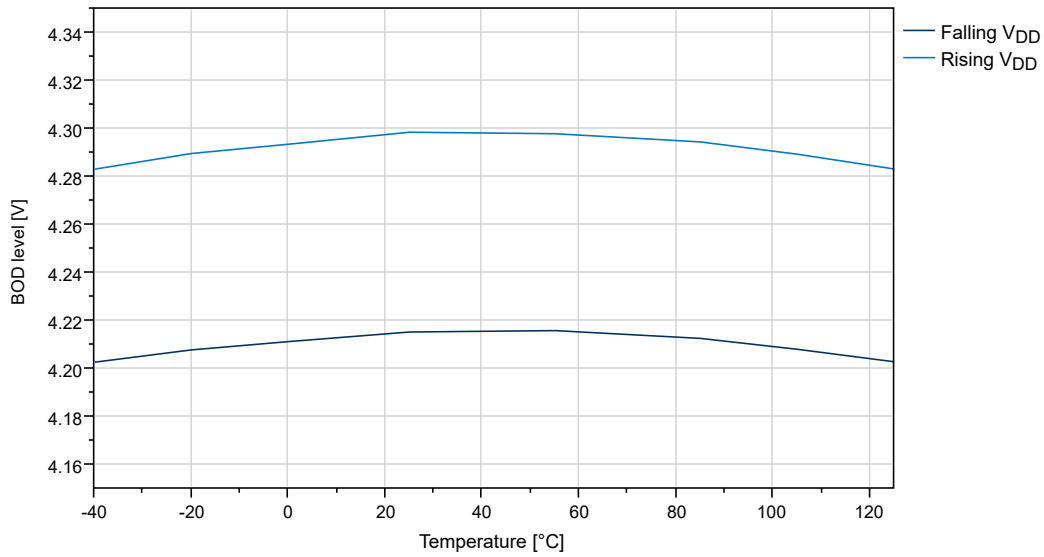


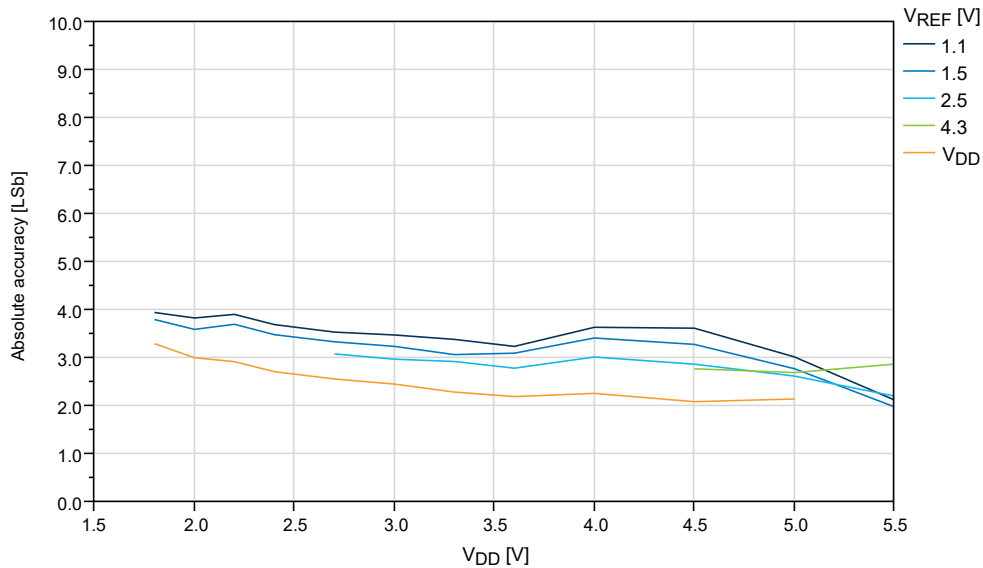


Figure 33-43. BOD Threshold vs. Temperature (BODLEVEL7)

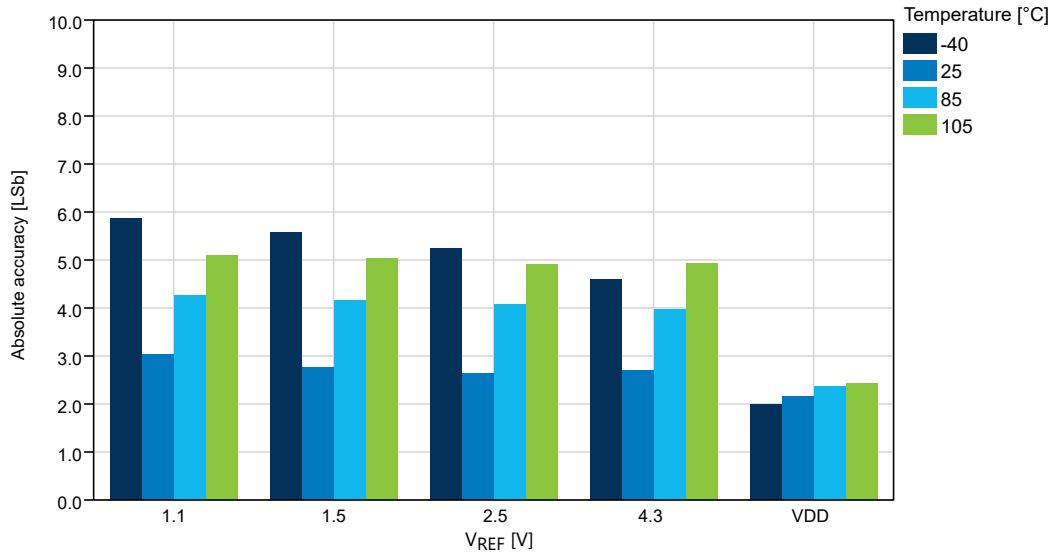


### 33.5 ADC Characteristics

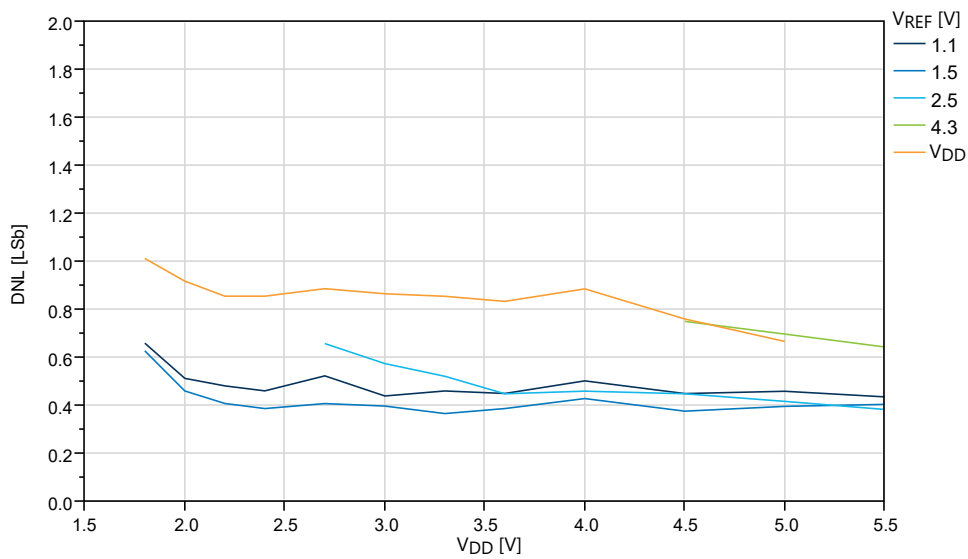
Figure 33-44. Absolute Accuracy vs. V<sub>DD</sub> (f<sub>ADC</sub> = 115 ksp/s) at T = 25°C, REFSEL = Internal Reference



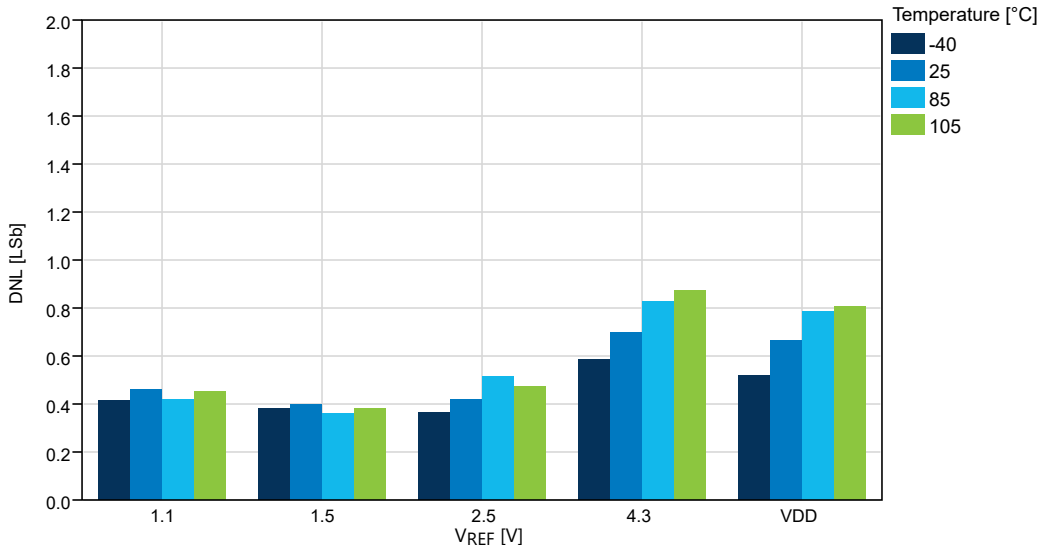
**Figure 33-45. Absolute Accuracy vs.  $V_{REF}$  ( $V_{DD} = 5.0V$ ,  $f_{ADC} = 115$  kps), REFSEL = Internal Reference**



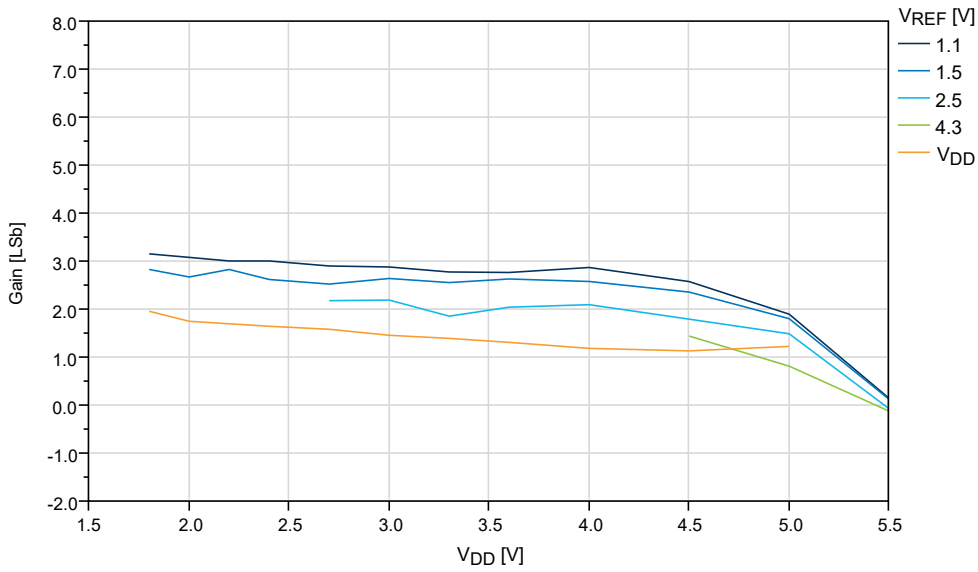
**Figure 33-46. DNL Error vs.  $V_{DD}$  ( $f_{ADC} = 115$  kps) at  $T = 25^{\circ}C$ , REFSEL = Internal Reference**



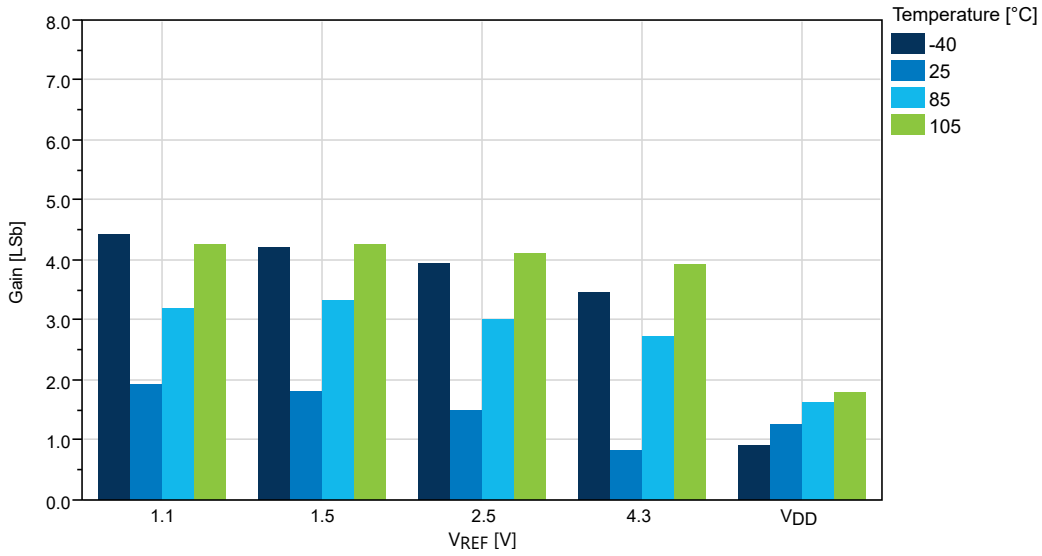
**Figure 33-47. DNL vs.  $V_{REF}$  ( $V_{DD} = 5.0V$ ,  $f_{ADC} = 115$  kps), REFSEL = Internal Reference**



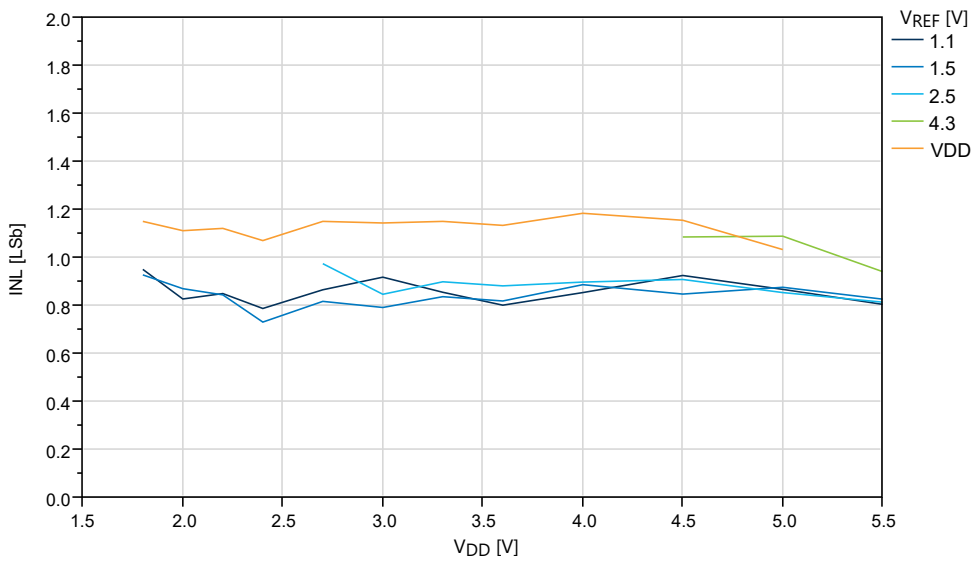
**Figure 33-48. Gain Error vs.  $V_{DD}$  ( $f_{ADC} = 115$  kps) at  $T = 25^{\circ}C$ , REFSEL = Internal Reference**



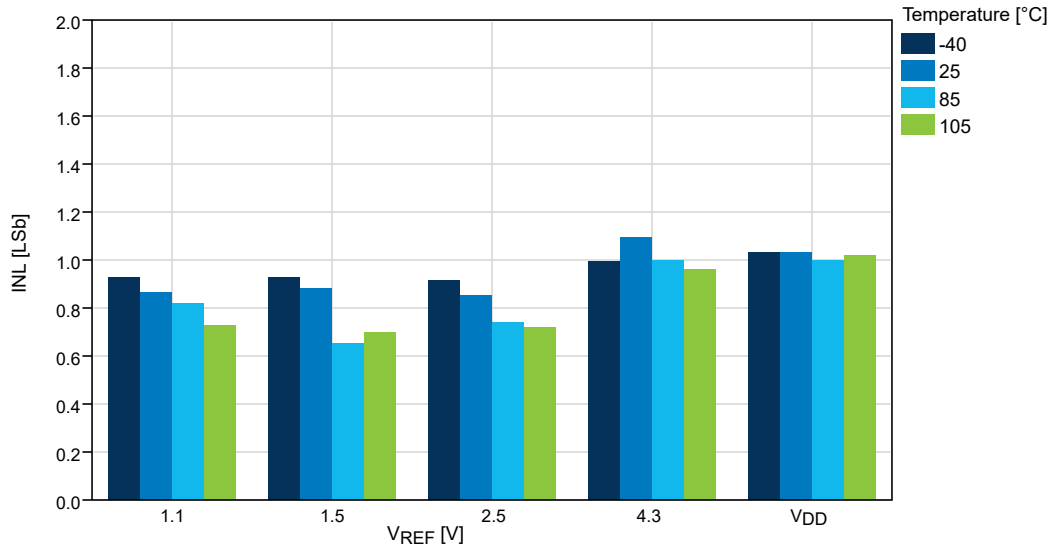
**Figure 33-49. Gain Error vs.  $V_{REF}$  ( $V_{DD} = 5.0V$ ,  $f_{ADC} = 115$  kps), REFSEL = Internal Reference**



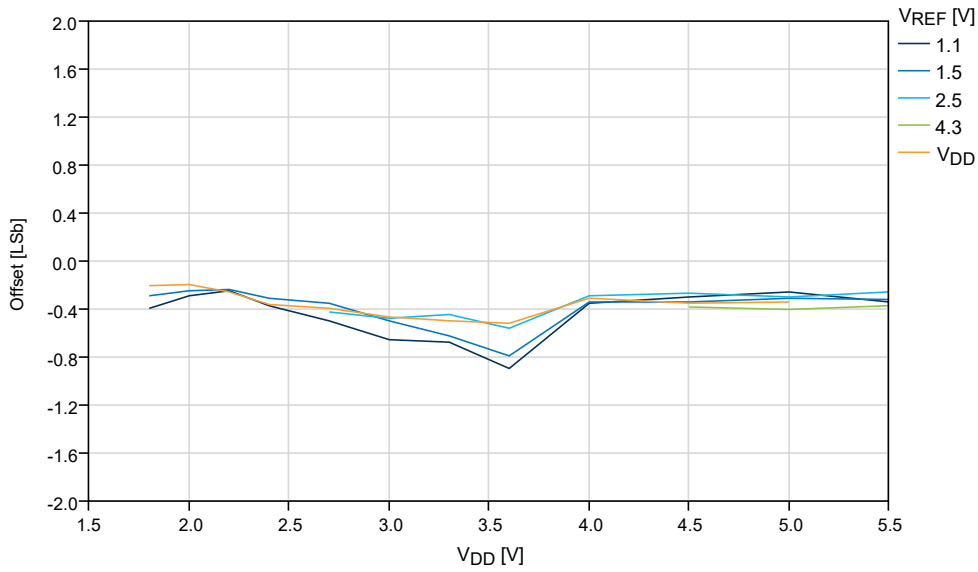
**Figure 33-50. INL vs.  $V_{DD}$  ( $f_{ADC} = 115$  kps) at  $T = 25^\circ C$ , REFSEL = Internal Reference**



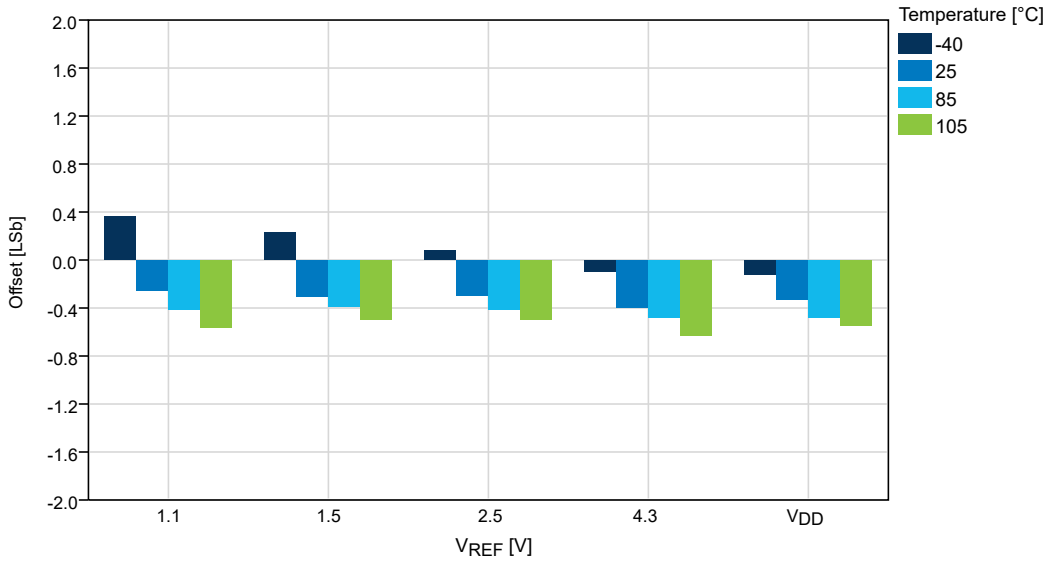
**Figure 33-51. INL vs.  $V_{REF}$  ( $V_{DD} = 5.0V$ ,  $f_{ADC} = 115$  ksp/s), REFSEL = Internal Reference**



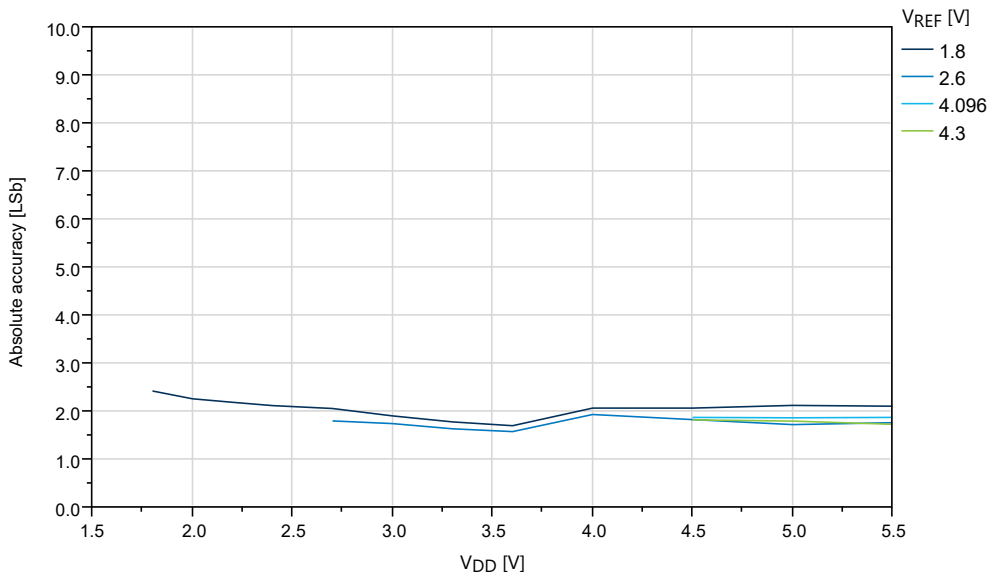
**Figure 33-52. Offset Error vs.  $V_{DD}$  ( $f_{ADC} = 115$  ksp/s) at  $T = 25^\circ C$ , REFSEL = Internal Reference**



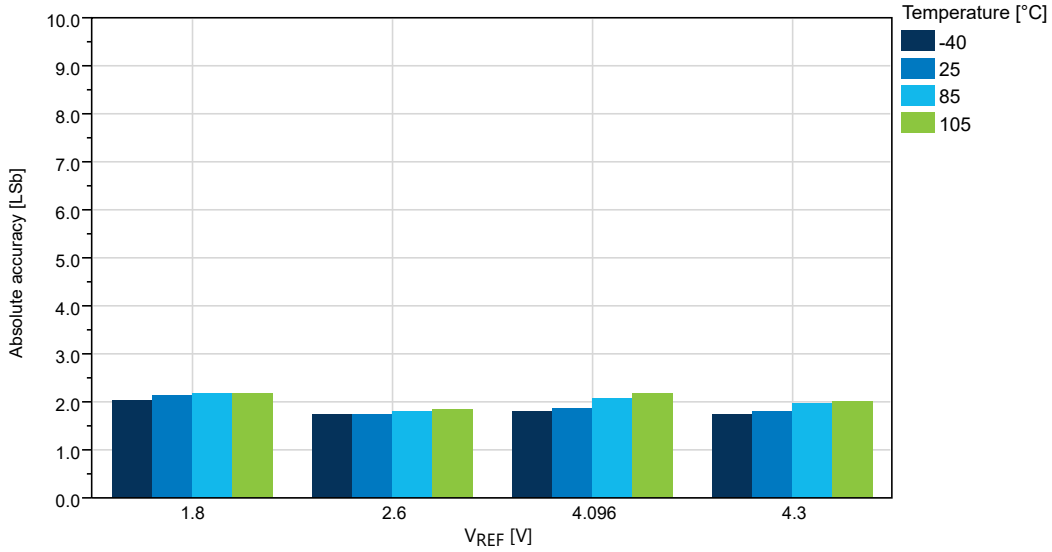
**Figure 33-53. Offset Error vs.  $V_{REF}$  ( $V_{DD} = 5.0V$ ,  $f_{ADC} = 115$  ksp/s), REFSEL = Internal Reference**



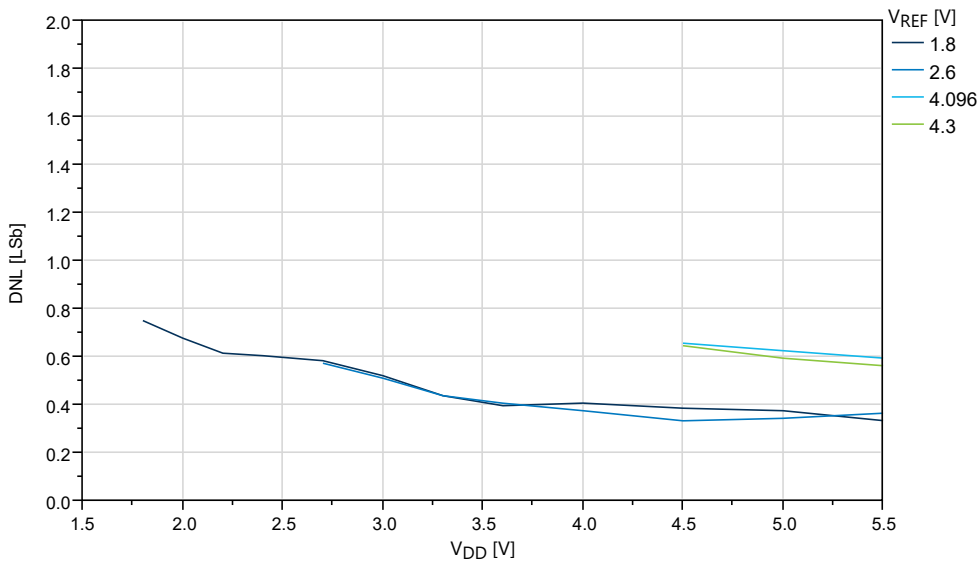
**Figure 33-54. Absolute Accuracy vs.  $V_{DD}$  ( $f_{ADC} = 115$  ksp/s,  $T = 25^{\circ}C$ ), REFSEL = External Reference**



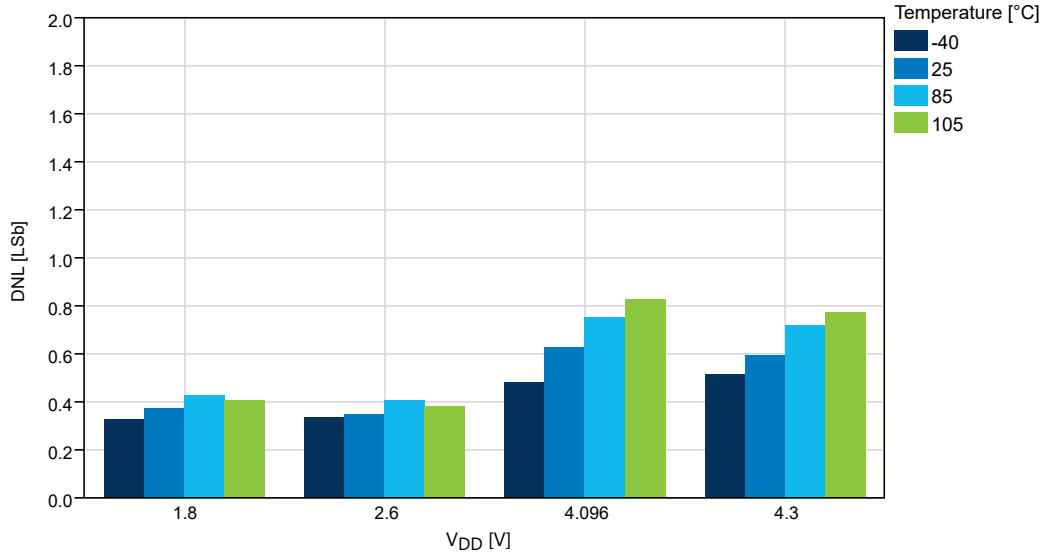
**Figure 33-55. Absolute Accuracy vs.  $V_{REF}$  ( $V_{DD} = 5.0V$ ,  $f_{ADC} = 115$  kps, REFSEL = External Reference)**



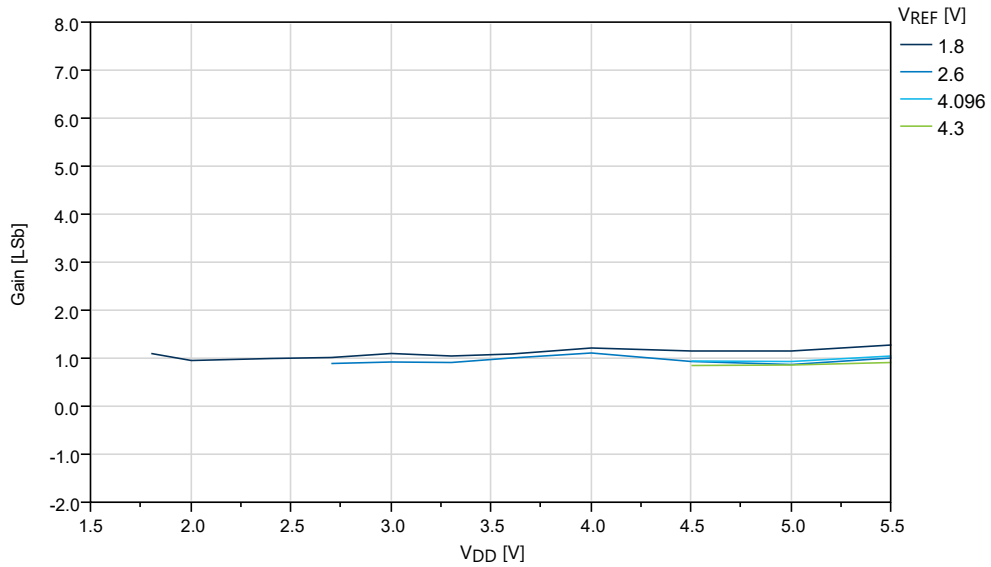
**Figure 33-56. DNL vs.  $V_{DD}$  ( $f_{ADC} = 115$  kps,  $T = 25^\circ C$ , REFSEL = External Reference)**



**Figure 33-57. DNL vs.  $V_{REF}$  ( $V_{DD} = 5.0V$ ,  $f_{ADC} = 115$  ksp/s, REFSEL = External Reference)**

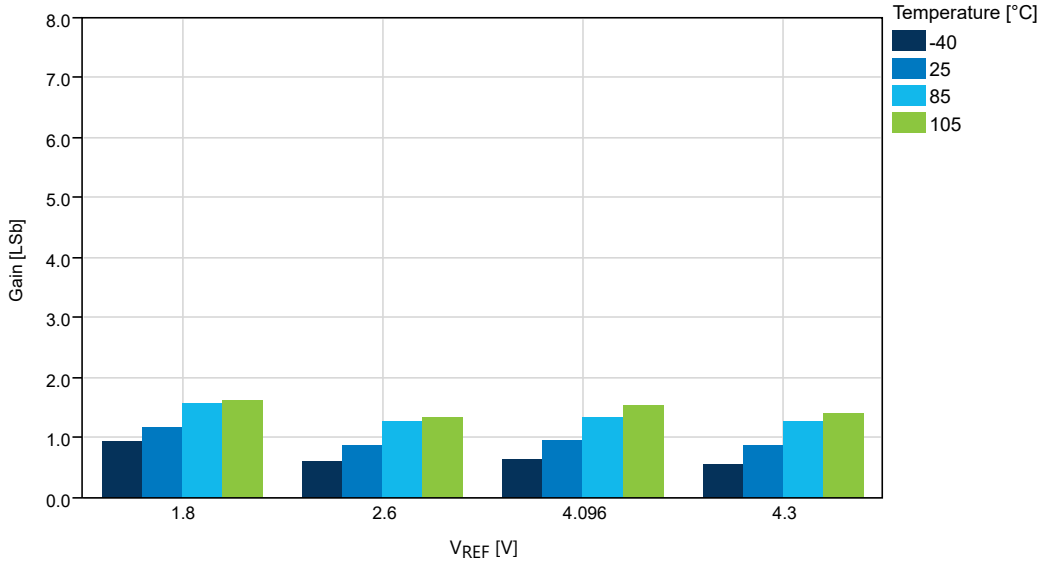


**Figure 33-58. Gain vs.  $V_{DD}$  ( $f_{ADC} = 115$  ksp/s,  $T = 25^{\circ}C$ , REFSEL = External Reference)**

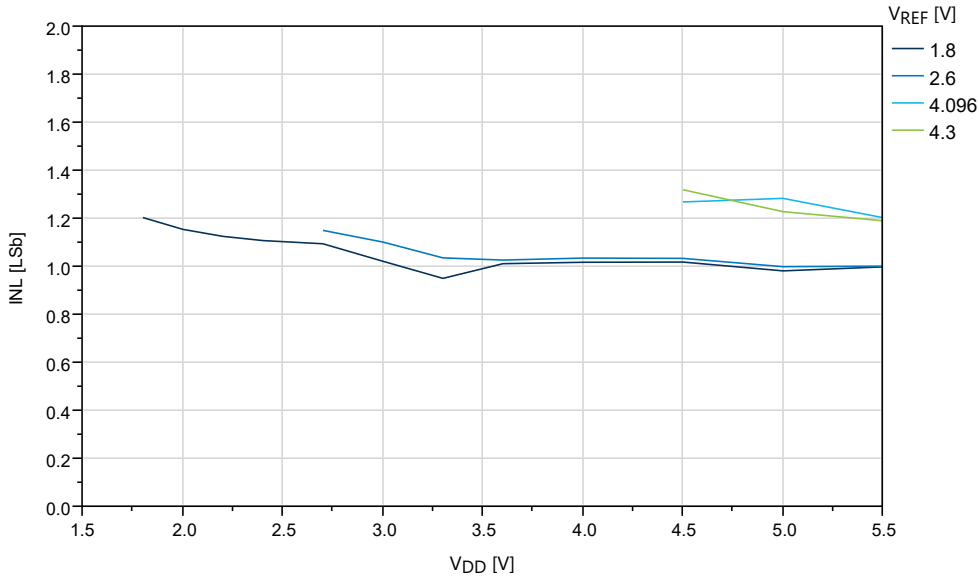




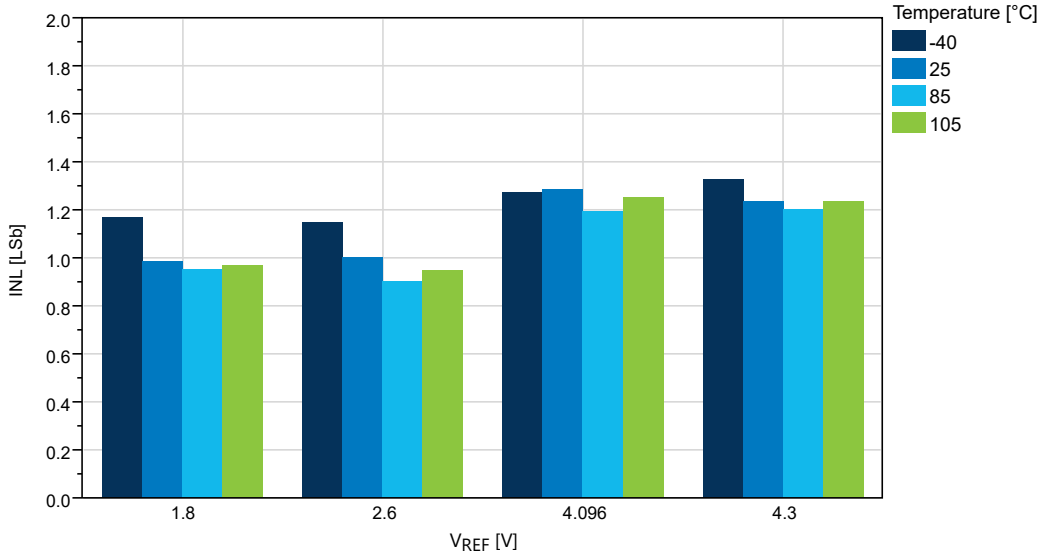
**Figure 33-59. Gain vs.  $V_{REF}$  ( $V_{DD} = 5.0V$ ,  $f_{ADC} = 115$  ksps, REFSEL = External Reference)**



**Figure 33-60. INL vs.  $V_{DD}$  ( $f_{ADC} = 115$  ksps,  $T = 25^{\circ}C$ , REFSEL = External Reference)**



**Figure 33-61. INL vs.  $V_{REF}$  ( $V_{DD} = 5.0V$ ,  $f_{ADC} = 115$  ksp/s, REFSEL = External Reference)**



**Figure 33-62. Offset vs.  $V_{DD}$  ( $f_{ADC} = 115$  ksp/s,  $T = 25^\circ C$ , REFSEL = External Reference)**

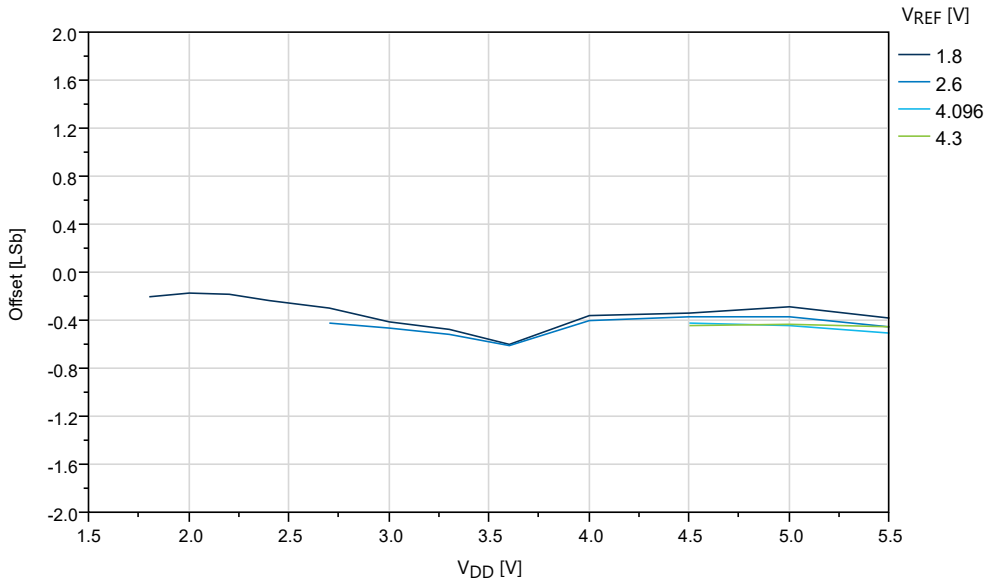
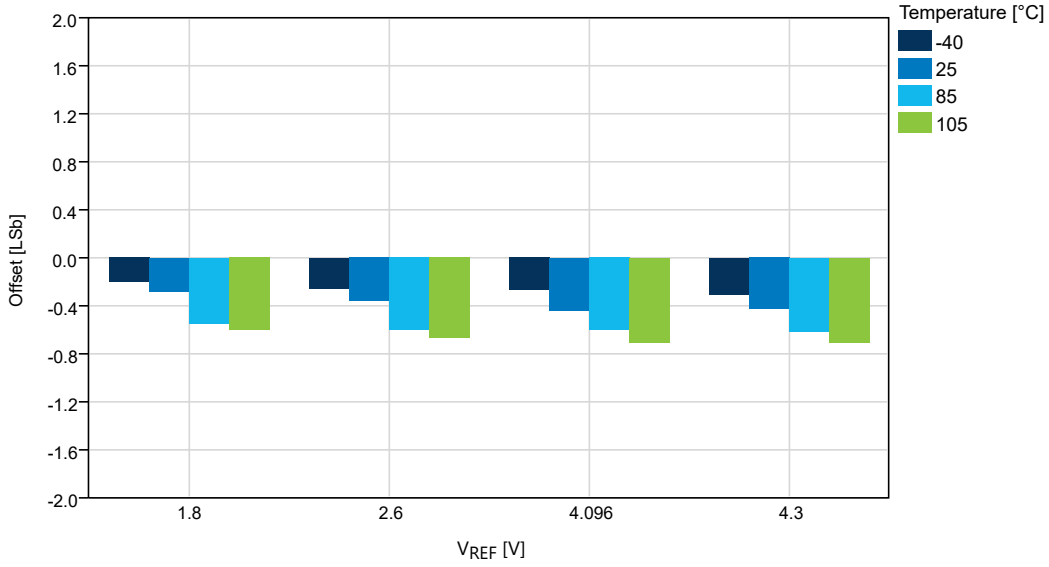
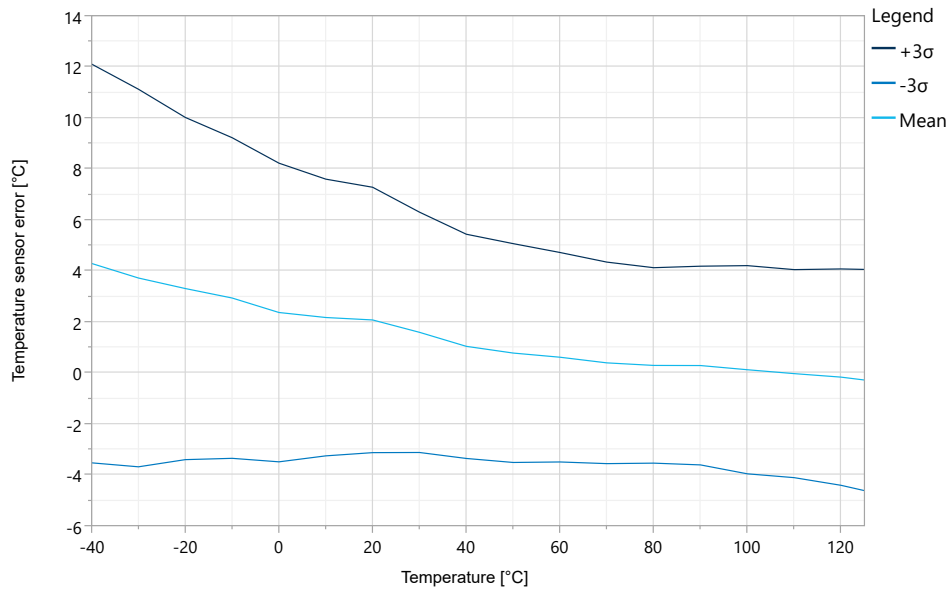


Figure 33-63. Offset vs.  $V_{REF}$  ( $V_{DD} = 5.0V$ ,  $f_{ADC} = 115$  ksps, REFSEL = External Reference)



### 33.6 TEMPSENSE Characteristics

Figure 33-64. Temperature Sensor Error vs. Temperature  $\pm 3\sigma$



33.7 AC Characteristics

Figure 33-65. Hysteresis vs.  $V_{CM}$  - 10 mV ( $V_{DD} = 5V$ )

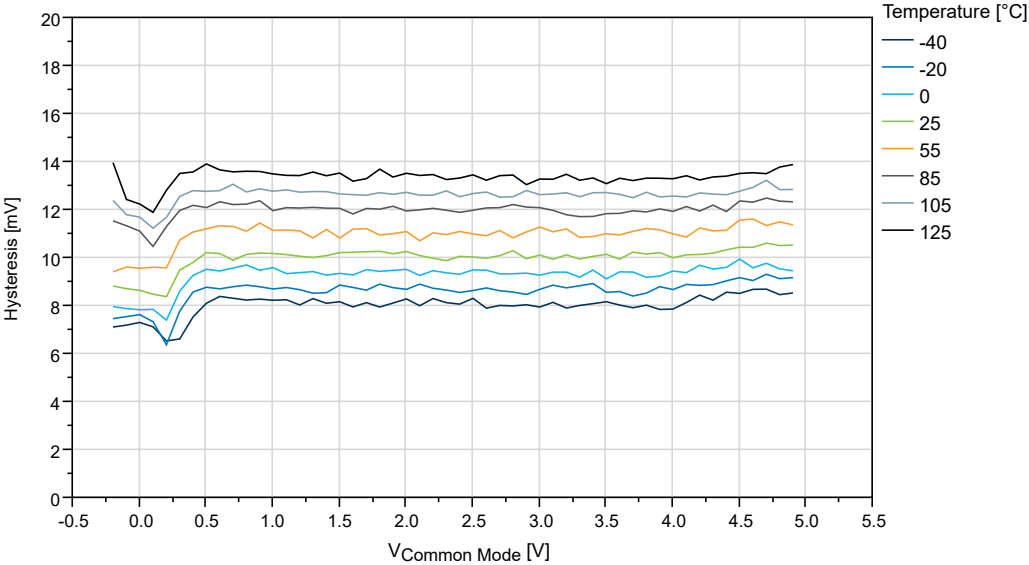


Figure 33-66. Hysteresis vs.  $V_{CM}$  - 10 mV to 50 mV ( $V_{DD} = 5V, T = 25^{\circ}C$ )

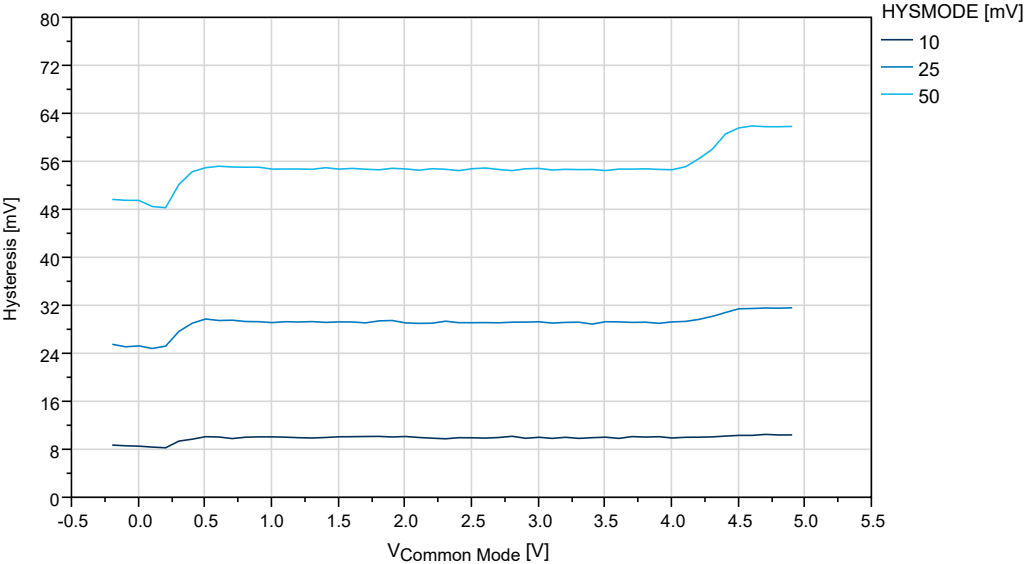


Figure 33-67. Offset vs.  $V_{CM}$  - 10 mV ( $V_{DD} = 5V$ )

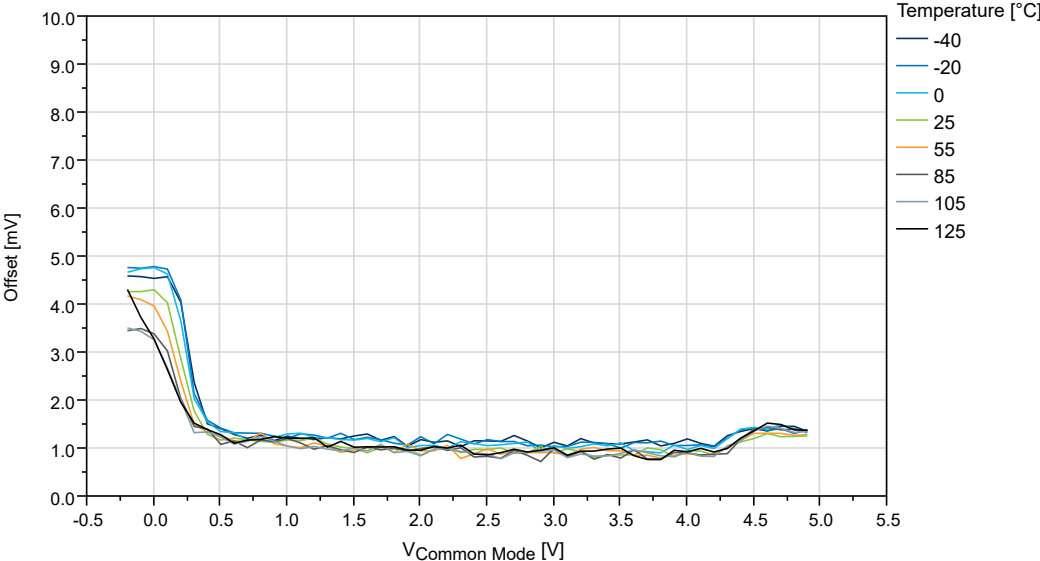
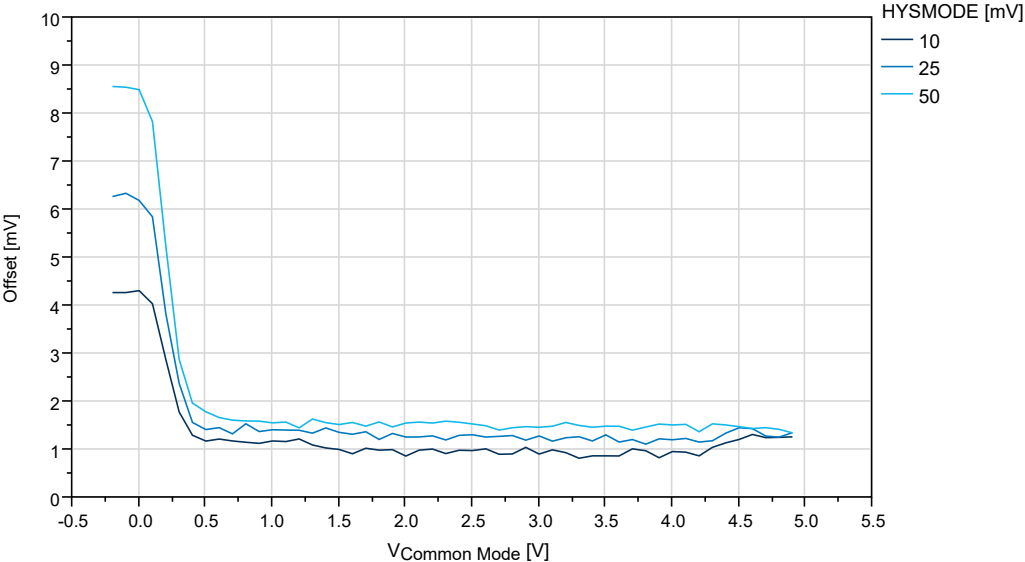


Figure 33-68. Offset vs.  $V_{CM}$  - 10 mV to 50 mV ( $V_{DD} = 5V, T = 25^\circ C$ )



### 33.8 OSC20M Characteristics

Figure 33-69. OSC20M Internal Oscillator: Calibration Stepsize vs. Calibration Value ( $V_{DD} = 3V$ )

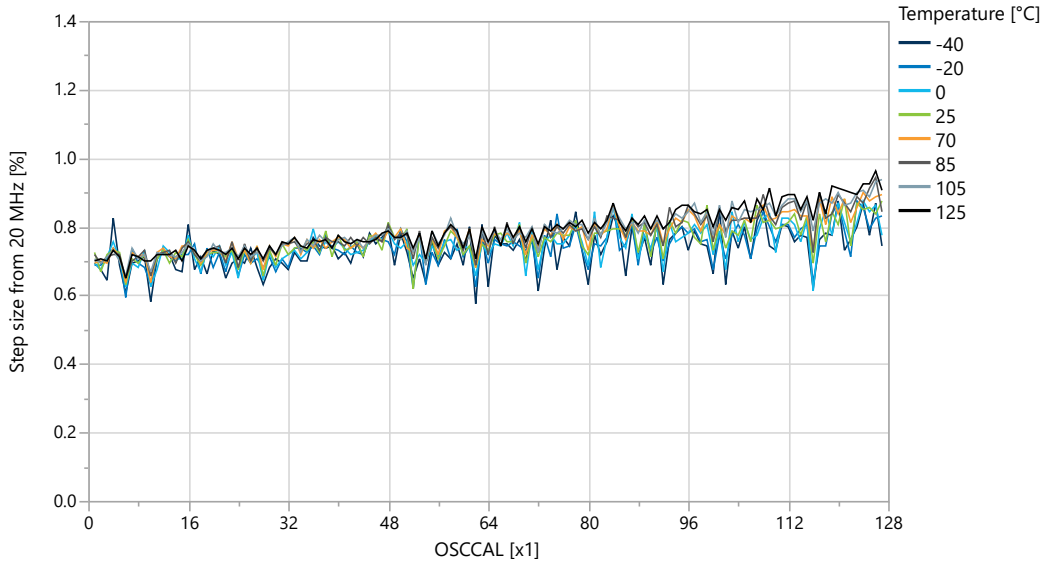


Figure 33-70. OSC20M Internal Oscillator: Frequency vs. Calibration Value ( $V_{DD} = 3V$ )

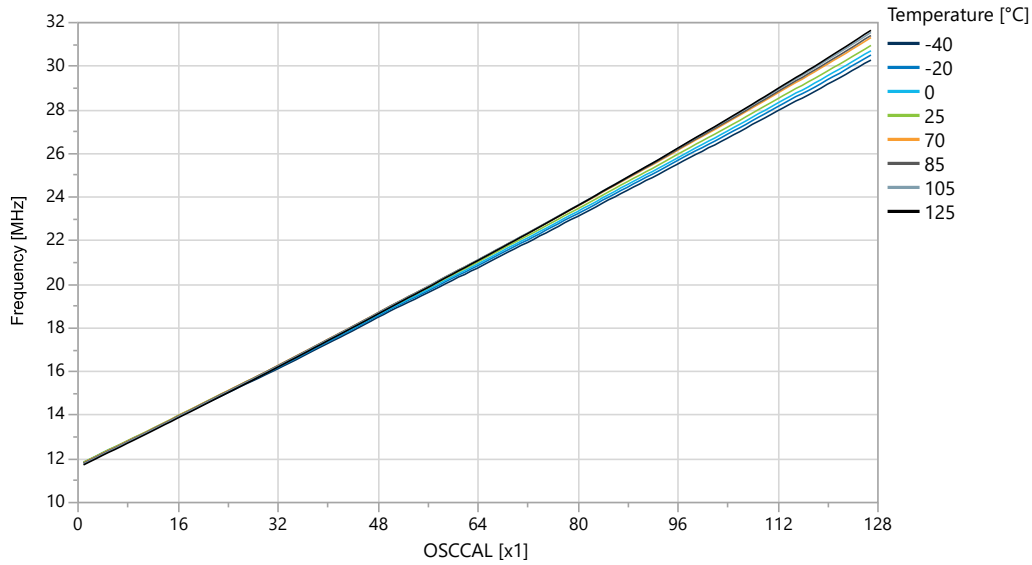


Figure 33-71. OSC20M Internal Oscillator: Frequency vs. Temperature

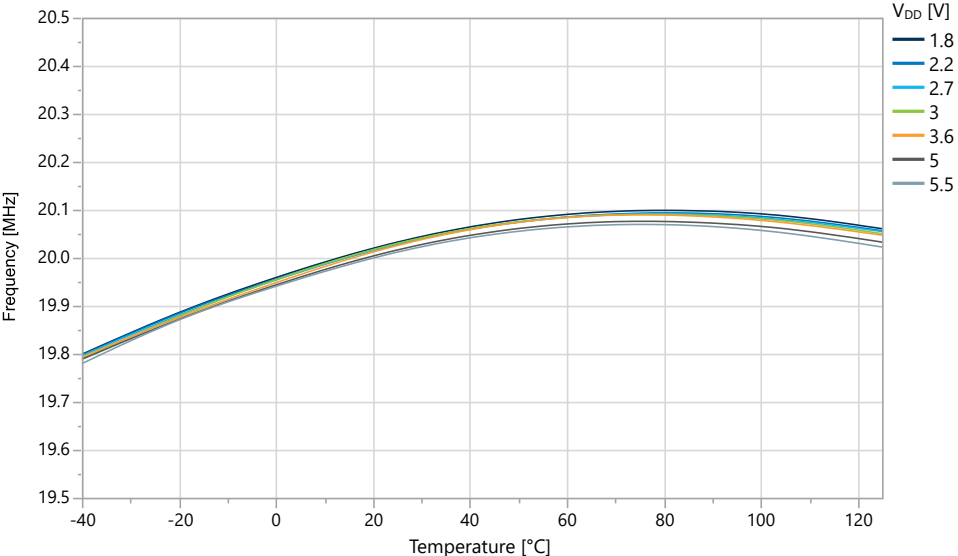
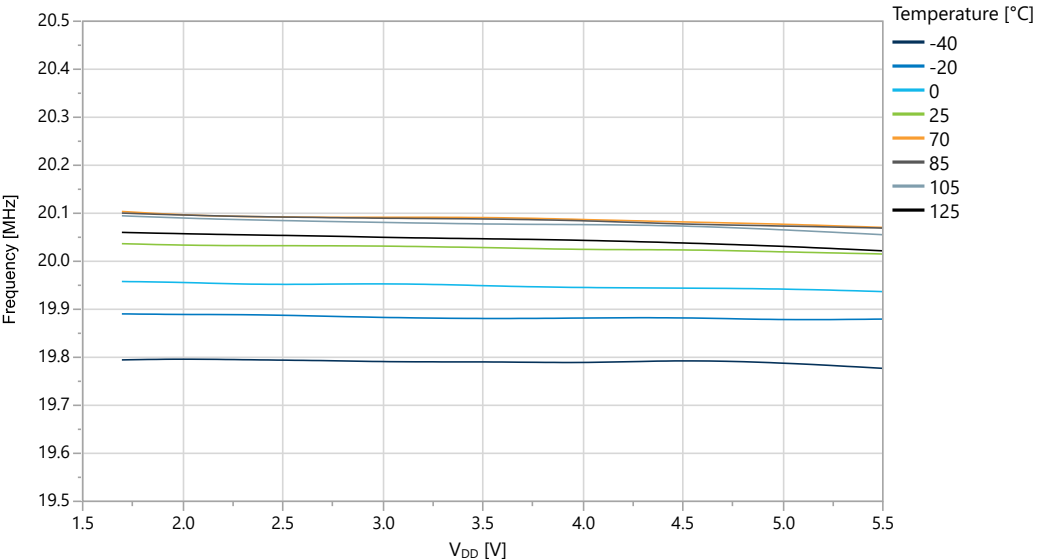


Figure 33-72. OSC20M Internal Oscillator: Frequency vs. V<sub>DD</sub>



33.9 OSCULP32K Characteristics

Figure 33-73. OSCULP32K Internal Oscillator: Frequency vs. Temperature

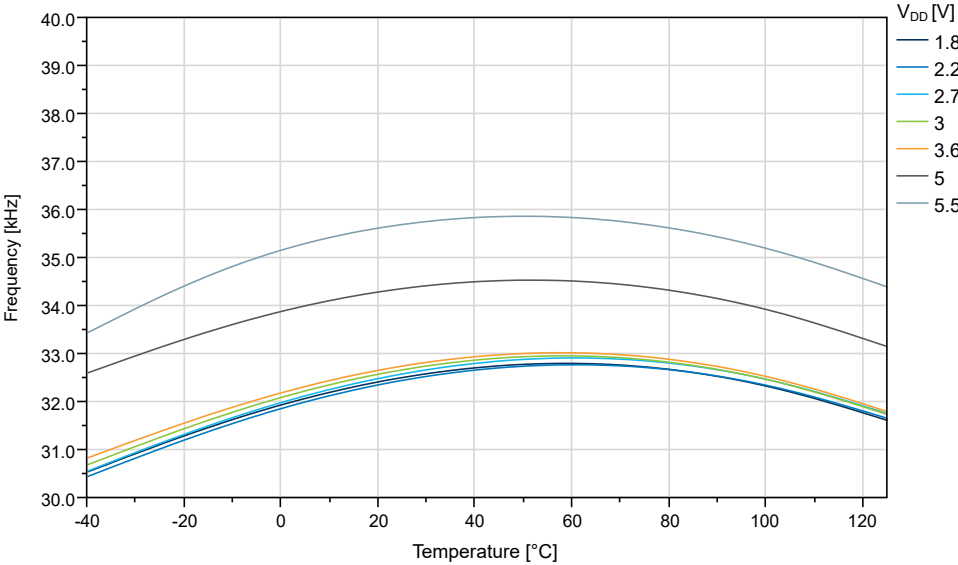
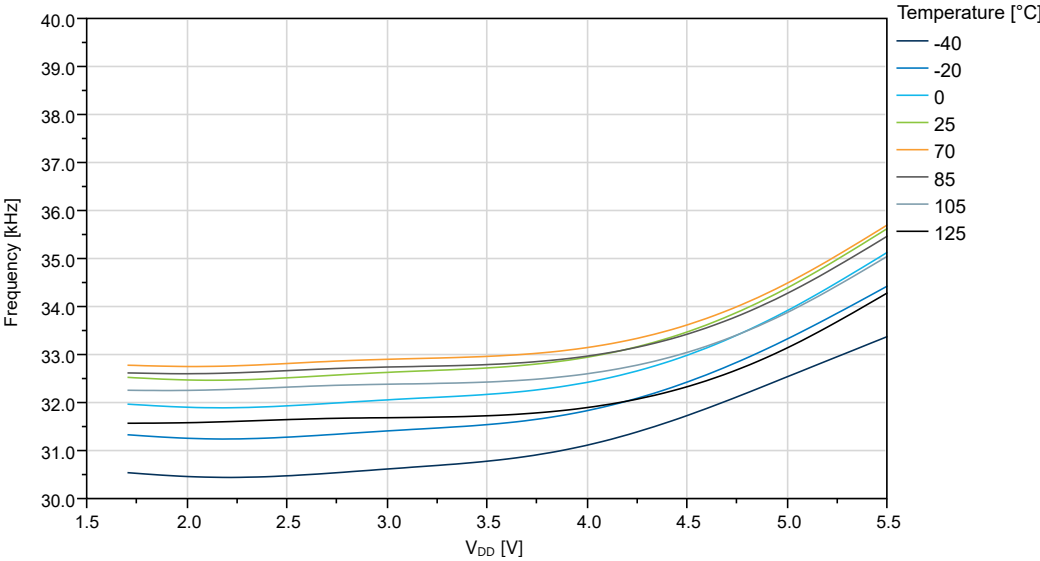


Figure 33-74. OSCULP32K Internal Oscillator: Frequency vs. V<sub>DD</sub>





### 34. Ordering Information

- Available ordering options can be found by:
  - Clicking on one of the following product page links:
    - [ATmega4808 Product Page](#)
    - [ATmega4809 Product Page](#)
  - Searching by product name at [microchipDIRECT.com](http://microchipDIRECT.com)
  - Contacting your local sales representative

**Table 34-1. Available Product Numbers**

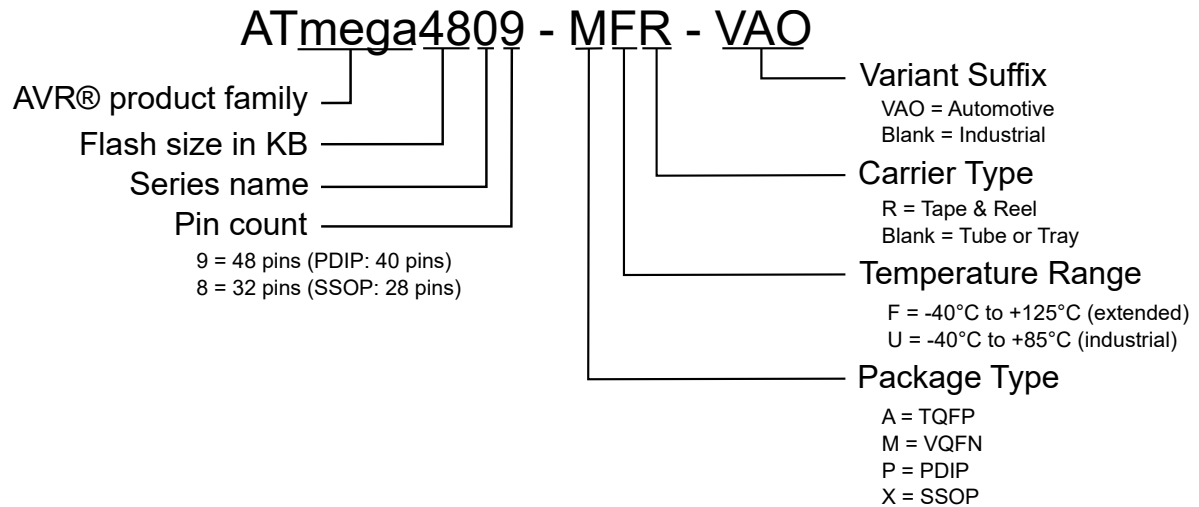
| Ordering Code <sup>(1)</sup> | Flash/SRAM | Pin Count | Package Type <sup>(2)</sup> | Max. CPU Speed | Supply Voltage | Temperature Range | Carrier Type |
|------------------------------|------------|-----------|-----------------------------|----------------|----------------|-------------------|--------------|
| ATmega4808-XF                | 48 KB/6 KB | 28        | SSOP                        | 20 MHz         | 1.8-5.5V       | -40°C to +125°C   | Tube         |
| ATmega4808-XFR               | 48 KB/6 KB | 28        | SSOP                        | 20 MHz         | 1.8-5.5V       | -40°C to +125°C   | Tape & Reel  |
| ATmega4808-XFR-VAO           | 48 KB/6 KB | 28        | SSOP                        | 16 MHz         | 2.7-5.5V       | -40°C to +125°C   | Tape & Reel  |
| ATmega4808-XU                | 48 KB/6 KB | 28        | SSOP                        | 20 MHz         | 1.8-5.5V       | -40°C to +85°C    | Tube         |
| ATmega4808-XUR               | 48 KB/6 KB | 28        | SSOP                        | 20 MHz         | 1.8-5.5V       | -40°C to +85°C    | Tape & Reel  |
| ATmega4808-AF                | 48 KB/6 KB | 32        | TQFP                        | 20 MHz         | 1.8-5.5V       | -40°C to +125°C   | Tray         |
| ATmega4808-AFR               | 48 KB/6 KB | 32        | TQFP                        | 20 MHz         | 1.8-5.5V       | -40°C to +125°C   | Tape & Reel  |
| ATmega4808-AFR-VAO           | 48 KB/6 KB | 32        | TQFP                        | 16 MHz         | 2.7-5.5V       | -40°C to +125°C   | Tape & Reel  |
| ATmega4808-AU                | 48 KB/6 KB | 32        | TQFP                        | 20 MHz         | 1.8-5.5V       | -40°C to +85°C    | Tray         |
| ATmega4808-AUR               | 48 KB/6 KB | 32        | TQFP                        | 20 MHz         | 1.8-5.5V       | -40°C to +85°C    | Tape & Reel  |
| ATmega4808-MF                | 48 KB/6 KB | 32        | VQFN                        | 20 MHz         | 1.8-5.5V       | -40°C to +125°C   | Tray         |
| ATmega4808-MFR               | 48 KB/6 KB | 32        | VQFN                        | 20 MHz         | 1.8-5.5V       | -40°C to +125°C   | Tape & Reel  |
| ATmega4808-MFR-VAO           | 48 KB/6 KB | 32        | VQFN                        | 16 MHz         | 2.7-5.5V       | -40°C to +125°C   | Tape & Reel  |
| ATmega4808-MU                | 48 KB/6 KB | 32        | VQFN                        | 20 MHz         | 1.8-5.5V       | -40°C to +85°C    | Tray         |
| ATmega4808-MUR               | 48 KB/6 KB | 32        | VQFN                        | 20 MHz         | 1.8-5.5V       | -40°C to +85°C    | Tape & Reel  |
| ATmega4809-PF                | 48 KB/6 KB | 40        | PDIP                        | 20 MHz         | 1.8-5.5V       | -40°C to +125°C   | Tube         |
| ATmega4809-AF                | 48 KB/6 KB | 48        | TQFP                        | 20 MHz         | 1.8-5.5V       | -40°C to +125°C   | Tray         |
| ATmega4809-AFR               | 48 KB/6 KB | 48        | TQFP                        | 20 MHz         | 1.8-5.5V       | -40°C to +125°C   | Tape & Reel  |
| ATmega4809-AFR-VAO           | 48 KB/6 KB | 48        | TQFP                        | 16 MHz         | 2.7-5.5V       | -40°C to +125°C   | Tape & Reel  |
| ATmega4809-AU                | 48 KB/6 KB | 48        | TQFP                        | 20 MHz         | 1.8-5.5V       | -40°C to +85°C    | Tray         |
| ATmega4809-AUR               | 48 KB/6 KB | 48        | TQFP                        | 20 MHz         | 1.8-5.5V       | -40°C to +85°C    | Tape & Reel  |
| ATmega4809-MF                | 48 KB/6 KB | 48        | VQFN                        | 20 MHz         | 1.8-5.5V       | -40°C to +125°C   | Tray         |
| ATmega4809-MFR               | 48 KB/6 KB | 48        | VQFN                        | 20 MHz         | 1.8-5.5V       | -40°C to +125°C   | Tape & Reel  |
| ATmega4809-MFR-VAO           | 48 KB/6 KB | 48        | VQFN                        | 16 MHz         | 2.7-5.5V       | -40°C to +125°C   | Tape & Reel  |
| ATmega4809-MU                | 48 KB/6 KB | 48        | VQFN                        | 20 MHz         | 1.8-5.5V       | -40°C to +85°C    | Tray         |
| ATmega4809-MUR               | 48 KB/6 KB | 48        | VQFN                        | 20 MHz         | 1.8-5.5V       | -40°C to +85°C    | Tape & Reel  |

**Notes:**

1. Pb-free packaging complies with the European Directive for Restriction of Hazardous Substances (RoHS directive). Also, Halide-free and fully Green.
2. Package outline drawings can be found in the *Package Drawings* section.

**Figure 34-1. Product Identification System**

To order or obtain information, for example on pricing or delivery, refer to the factory or the listed sales office.



**Note:** Tape and Reel identifier only appears in the catalog part number description. This identifier is used for ordering purposes. Check with your Microchip Sales Office for package availability with the Tape and Reel option.

**Note:** The VAO variants have been designed, manufactured, tested, and qualified per AEC-Q100 requirements for automotive applications. These products may use a different package than non-VAO parts and can have additional specifications in their Electrical Characteristics.

### 35. Package Drawings

#### 35.1 Package Marking Information

Figure 35-1. Explanation of the Package Marking Information

Rev. 30-009000A-AVR  
11/02/2020

**Legend:** XX...X Customer-specific information or Microchip part number  
 Y Year code (last digit of calendar year)  
 YY Year code (last 2 digits of calendar year)  
 WW Week code (week of January 1 is week '01')  
 NNN Alphanumeric traceability code  
 (e3) Pb-free JEDEC® designator for Matte Tin (Sn)

---

**Note:** In the event the full Microchip part number cannot be marked on one line, it will be carried over to the next line, thus limiting the number of available characters for customer-specific information.

#### 35.1.1 Package Marking Drawings

Figure 35-2. 28-Pin SSOP (5.3 mm)

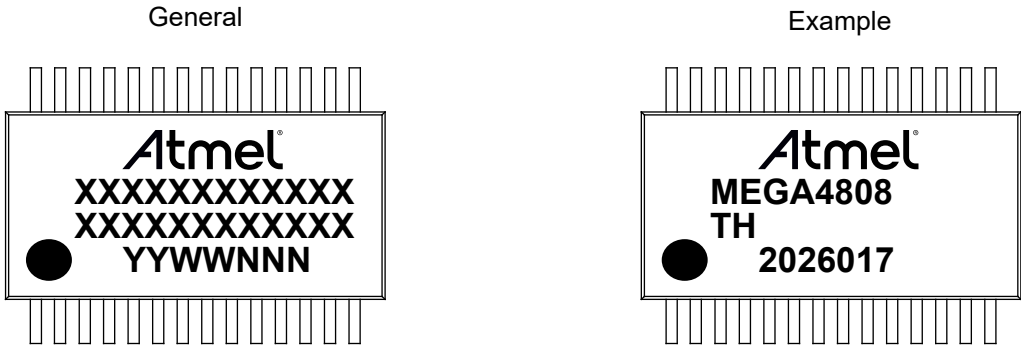
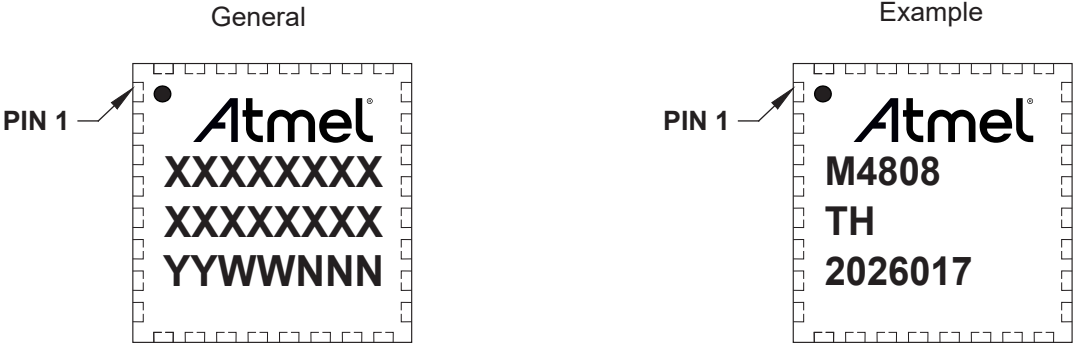


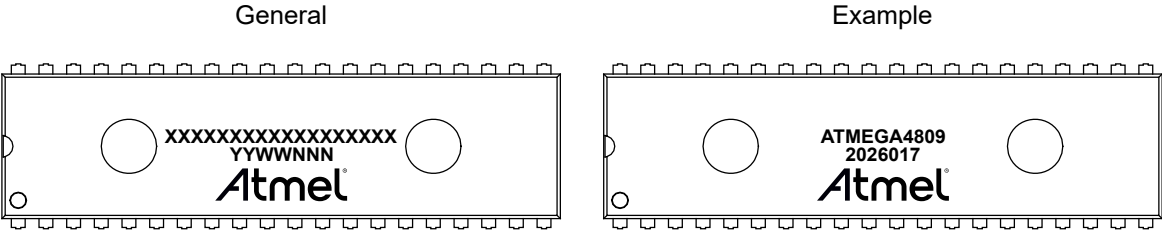
Figure 35-3. 32-Pin TQFP



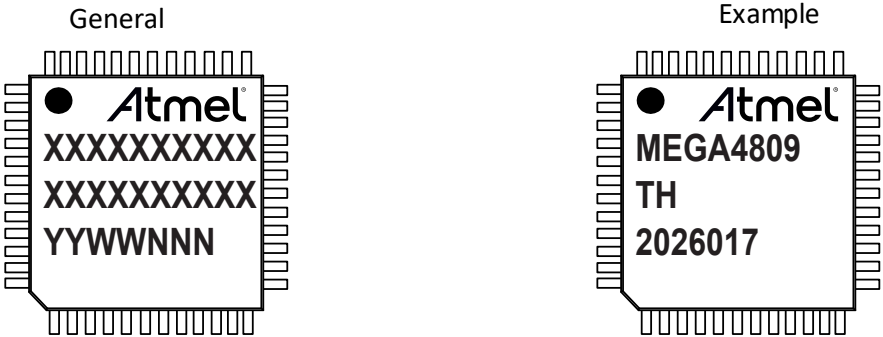
**Figure 35-4. 32-Pin VQFN and 32-Pin VQFN - Wettable Flanks**



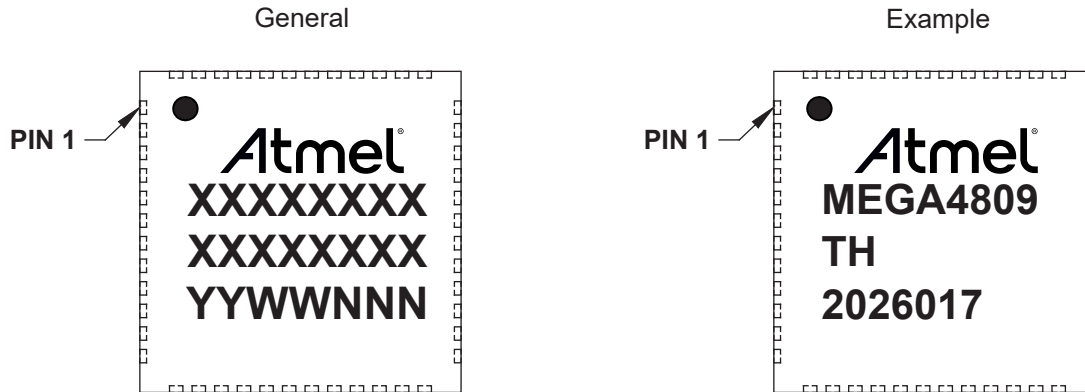
**Figure 35-5. 40-Pin PDIP (600 mil)**



**Figure 35-6. 48-Pin TQFP (7x7x1 mm)**



**Figure 35-7. 48-Pin VQFN and 48-Pin VQFN Wettable Flanks**



### 35.2 Online Package Drawings

For the most recent package drawings:

1. Go to [www.microchip.com/packaging](http://www.microchip.com/packaging).
2. Go to the package type-specific page, for example, VQFN.
3. Search for Drawing Number and Style to find updated drawings.

**Table 35-1. Drawing Numbers**

| Pin Count | Package Type        | Drawing Number | Style |
|-----------|---------------------|----------------|-------|
| 28        | SSOP                | C04-00073      | SS    |
| 32        | TQFP                | C04-00074      | PT    |
| 32        | VQFN                | C04-21395      | RXB   |
| 32        | VQFN <sup>(1)</sup> | C04-21511      | QZB   |
| 40        | PDIP                | C04-00016      | P     |
| 48        | TQFP                | C04-00300      | PT    |
| 48        | VQFN                | C04-00494      | 6LX   |
| 48        | VQFN <sup>(1)</sup> | C04-00504      | 6MX   |

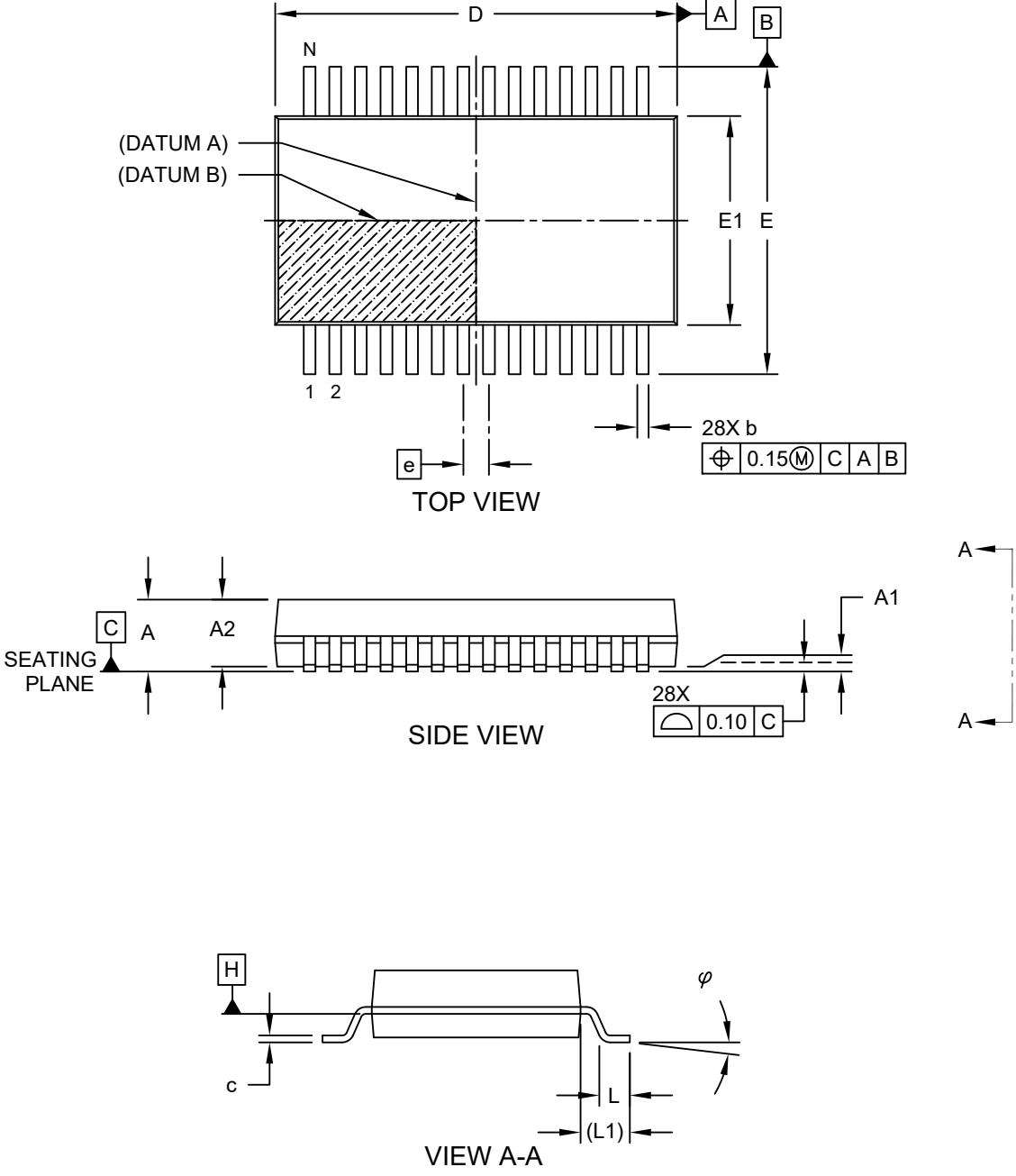
**Note:**

1. This package type has wettable flanks.

35.3 28-Pin SSOP

28-Lead Plastic Shrink Small Outline (SS) - 5.30 mm Body [SSOP]

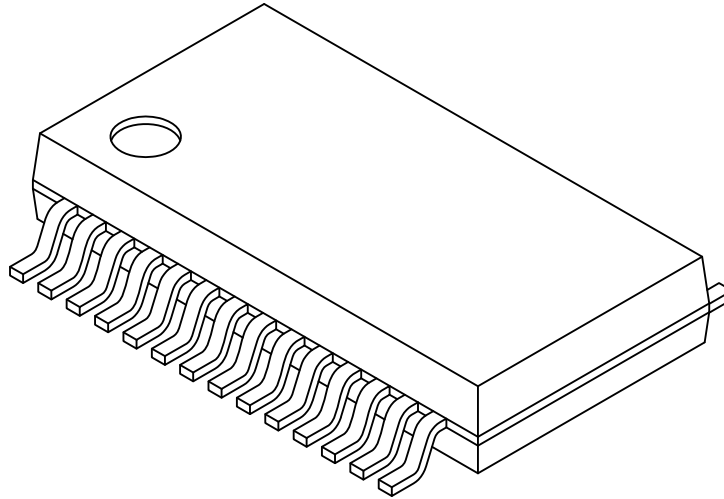
**Note:** For the most current package drawings, please see the Microchip Packaging Specification located at <http://www.microchip.com/packaging>



Microchip Technology Drawing C04-073 Rev C Sheet 1 of 2

### 28-Lead Plastic Shrink Small Outline (SS) - 5.30 mm Body [SSOP]

**Note:** For the most current package drawings, please see the Microchip Packaging Specification located at <http://www.microchip.com/packaging>



| Dimension Limits         | Units     | MILLIMETERS |       |       |
|--------------------------|-----------|-------------|-------|-------|
|                          |           | MIN         | NOM   | MAX   |
| Number of Pins           | N         | 28          |       |       |
| Pitch                    | e         | 0.65 BSC    |       |       |
| Overall Height           | A         | -           | -     | 2.00  |
| Molded Package Thickness | A2        | 1.65        | 1.75  | 1.85  |
| Standoff                 | A1        | 0.05        | -     | -     |
| Overall Width            | E         | 7.40        | 7.80  | 8.20  |
| Molded Package Width     | E1        | 5.00        | 5.30  | 5.60  |
| Overall Length           | D         | 9.90        | 10.20 | 10.50 |
| Foot Length              | L         | 0.55        | 0.75  | 0.95  |
| Footprint                | L1        | 1.25 REF    |       |       |
| Lead Thickness           | c         | 0.09        | -     | 0.25  |
| Foot Angle               | $\varphi$ | 0°          | 4°    | 8°    |
| Lead Width               | b         | 0.22        | -     | 0.38  |

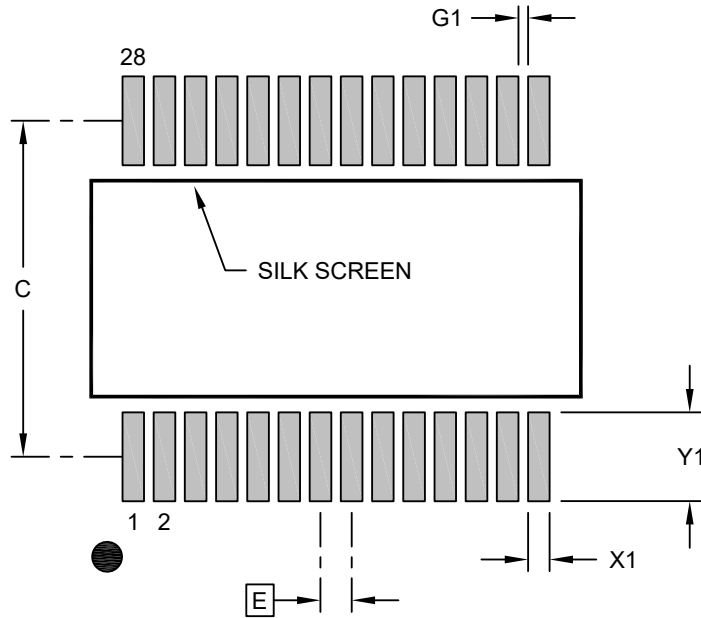
**Notes:**

1. Pin 1 visual index feature may vary, but must be located within the hatched area.
2. Dimensions D and E1 do not include mold flash or protrusions. Mold flash or protrusions shall not exceed 0.20mm per side.
3. Dimensioning and tolerancing per ASME Y14.5M
  - BSC: Basic Dimension. Theoretically exact value shown without tolerances.
  - REF: Reference Dimension, usually without tolerance, for information purposes only.

Microchip Technology Drawing C04-073 Rev C Sheet 2 of 2

28-Lead Plastic Shrink Small Outline (SS) - 5.30 mm Body [SSOP]

**Note:** For the most current package drawings, please see the Microchip Packaging Specification located at <http://www.microchip.com/packaging>



RECOMMENDED LAND PATTERN

| Dimension Limits                | Units | MILLIMETERS |      |      |
|---------------------------------|-------|-------------|------|------|
|                                 |       | MIN         | NOM  | MAX  |
| Contact Pitch                   | E     | 0.65 BSC    |      |      |
| Contact Pad Spacing             | C     |             | 7.00 |      |
| Contact Pad Width (X28)         | X1    |             |      | 0.45 |
| Contact Pad Length (X28)        | Y1    |             |      | 1.85 |
| Contact Pad to Center Pad (X26) | G1    | 0.20        |      |      |

Notes:

1. Dimensioning and tolerancing per ASME Y14.5M  
BSC: Basic Dimension. Theoretically exact value shown without tolerances.
2. For best soldering results, thermal vias, if used, should be filled or tented to avoid solder loss during reflow process

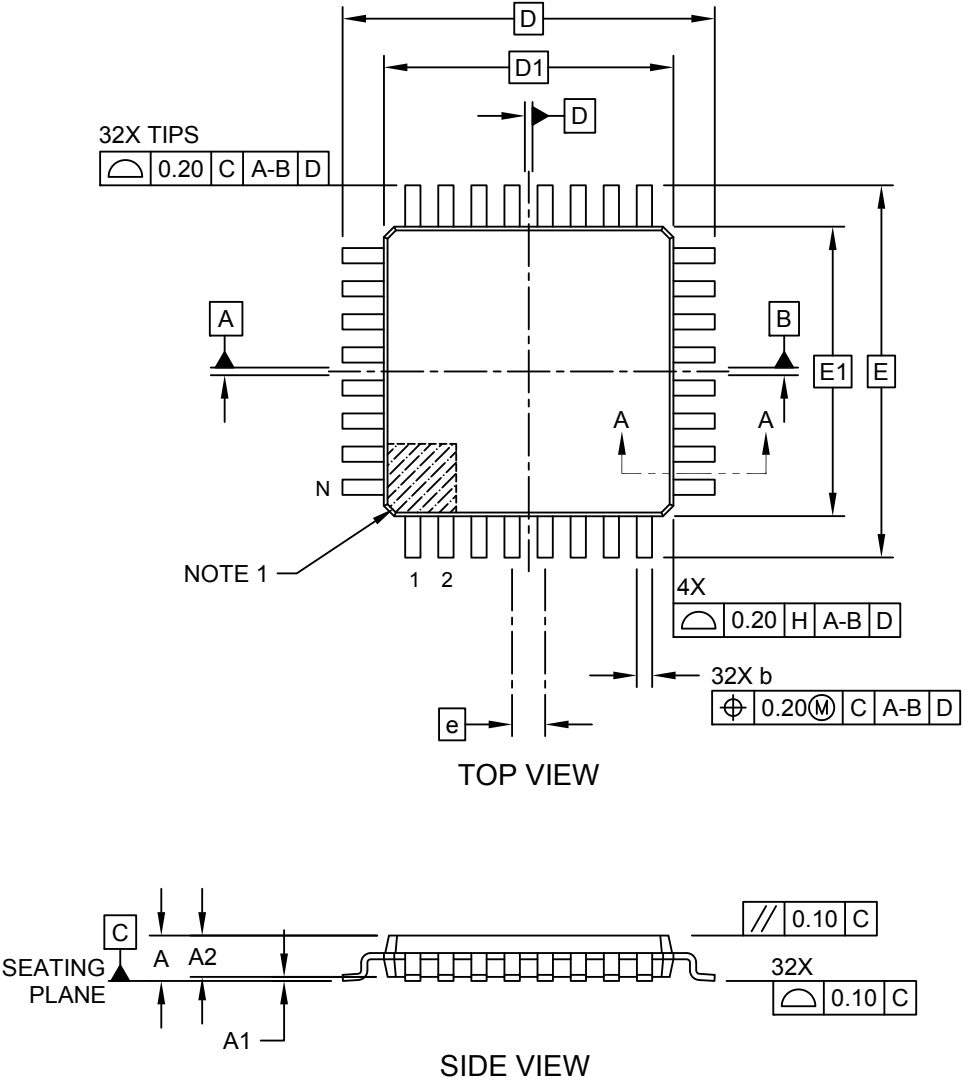
Microchip Technology Drawing C04-2073 Rev B



35.4 32-Pin TQFP

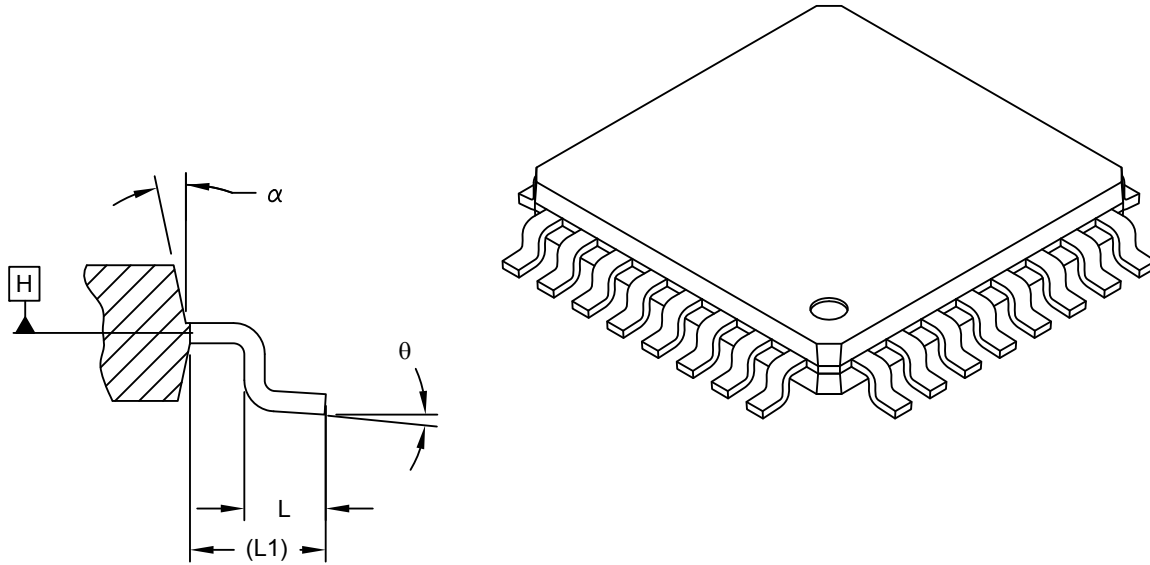
32-Lead Plastic Thin Quad Flatpack (PT) - 7x7x1.0 mm Body [TQFP]  
 2.00 mm Footprint; Also Atmel Legacy Global Package Code AUT

**Note:** For the most current package drawings, please see the Microchip Packaging Specification located at <http://www.microchip.com/packaging>



### 32-Lead Plastic Thin Quad Flatpack (PT) - 7x7x1.0 mm Body [TQFP] 2.00 mm Footprint; Also Atmel Legacy Global Package Code AUT

**Note:** For the most current package drawings, please see the Microchip Packaging Specification located at <http://www.microchip.com/packaging>



SECTION A-A

| Dimension Limits         | Units    | MILLIMETERS |      |      |
|--------------------------|----------|-------------|------|------|
|                          |          | MIN         | NOM  | MAX  |
| Number of Leads          | N        | 32          |      |      |
| Lead Pitch               | e        | 0.80 BSC    |      |      |
| Overall Height           | A        | -           | -    | 1.20 |
| Standoff                 | A1       | 0.05        | -    | 0.15 |
| Molded Package Thickness | A2       | 0.95        | 1.00 | 1.05 |
| Foot Length              | L        | 0.45        | 0.60 | 0.75 |
| Footprint                | L1       | 1.00 REF    |      |      |
| Foot Angle               | $\theta$ | 0°          | -    | 7°   |
| Overall Width            | E        | 9.00 BSC    |      |      |
| Overall Length           | D        | 9.00 BSC    |      |      |
| Molded Package Width     | E1       | 7.00 BSC    |      |      |
| Molded Package Length    | D1       | 7.00 BSC    |      |      |
| Lead Width               | b        | 0.30        | 0.37 | 0.45 |
| Mold Draft Angle Top     | $\alpha$ | 11°         | -    | 13°  |

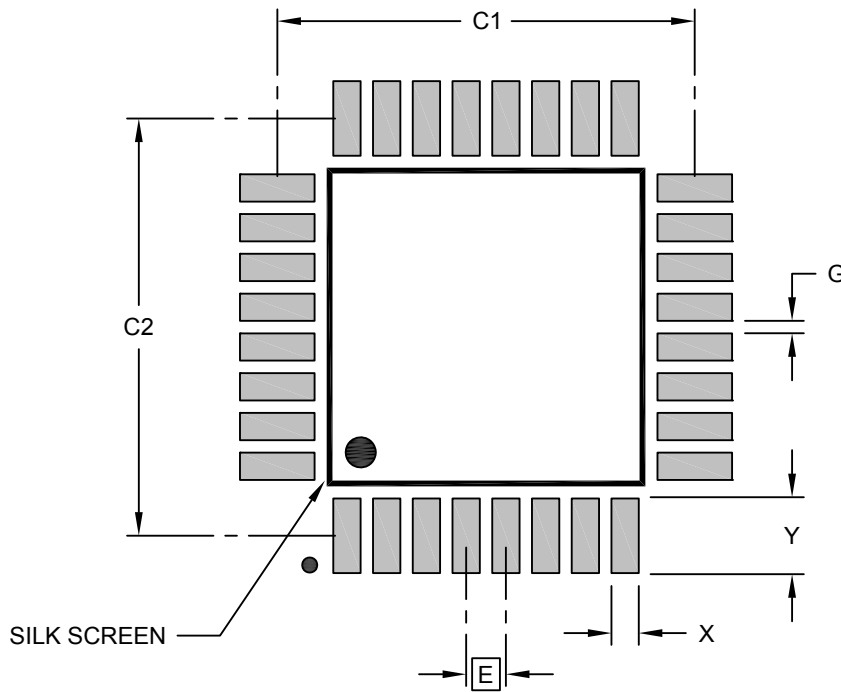
**Notes:**

1. Pin 1 visual index feature may vary, but must be located within the hatched area.
2. Dimensioning and tolerancing per ASME Y14.5M  
 BSC: Basic Dimension. Theoretically exact value shown without tolerances.  
 REF: Reference Dimension, usually without tolerance, for information purposes only.

Microchip Technology Drawing C04-074 Rev C Sheet 2 of 2

### 32-Lead Thin Plastic Quad Flatpack (PT) - 7x7 mm Body [TQFP] 2.00 mm Footprint; Also Atmel Legacy Global Package Code AUT

**Note:** For the most current package drawings, please see the Microchip Packaging Specification located at <http://www.microchip.com/packaging>



### RECOMMENDED LAND PATTERN

| Dimension Limits                 | Units | MILLIMETERS |      |      |
|----------------------------------|-------|-------------|------|------|
|                                  |       | MIN         | NOM  | MAX  |
| Contact Pitch                    | E     | 0.80 BSC    |      |      |
| Contact Pad Spacing              | C1    |             | 8.40 |      |
| Contact Pad Spacing              | C2    |             | 8.40 |      |
| Contact Pad Width (Xnn)          | X     |             |      | 0.55 |
| Contact Pad Length (Xnn)         | Y     |             |      | 1.55 |
| Contact Pad to Contact Pad (Xnn) | G     | 0.25        |      |      |

**Notes:**

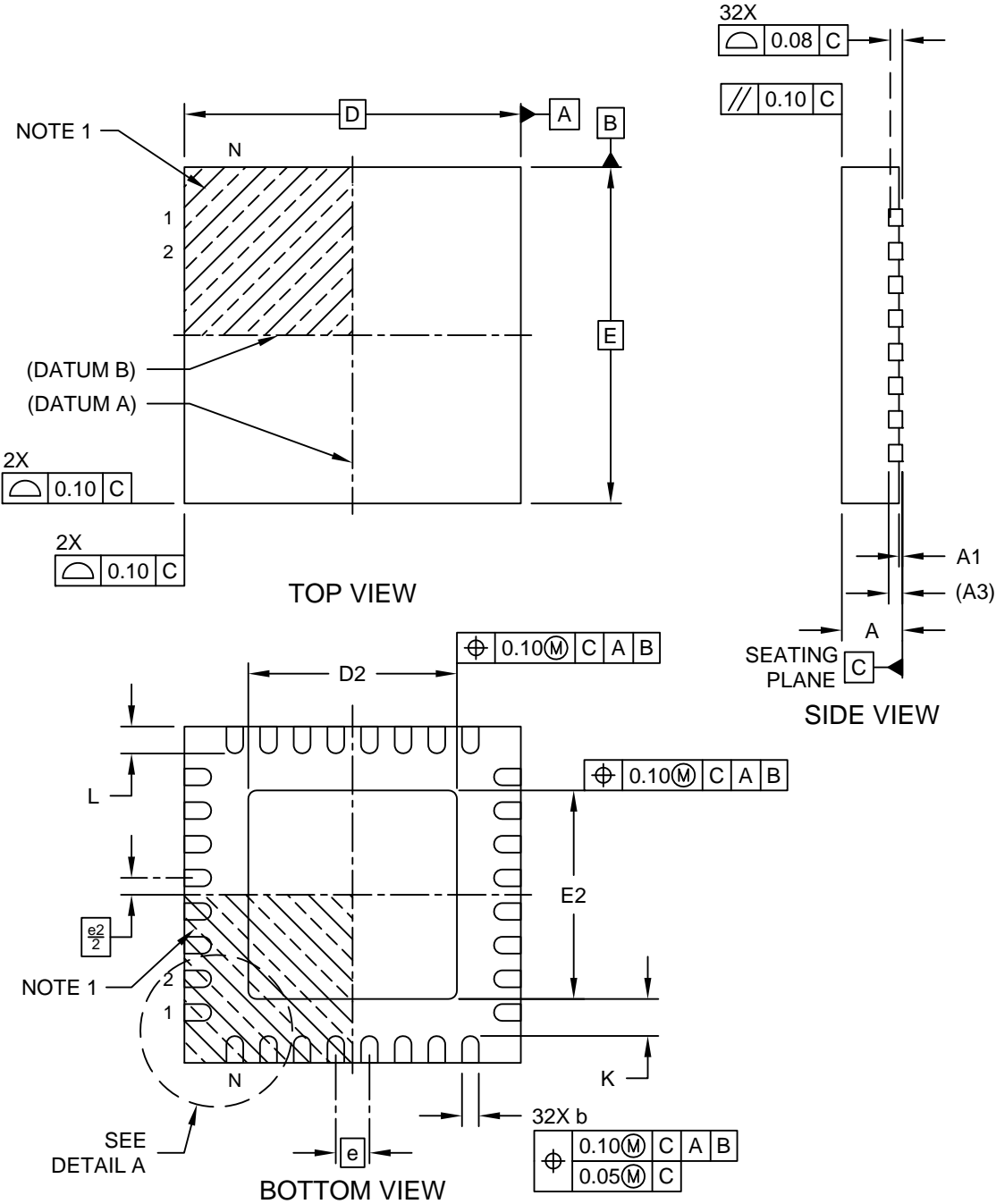
1. Dimensioning and tolerancing per ASME Y14.5M  
BSC: Basic Dimension. Theoretically exact value shown without tolerances.

Microchip Technology Drawing C04-2074 Rev C

35.5 32-Pin VQFN

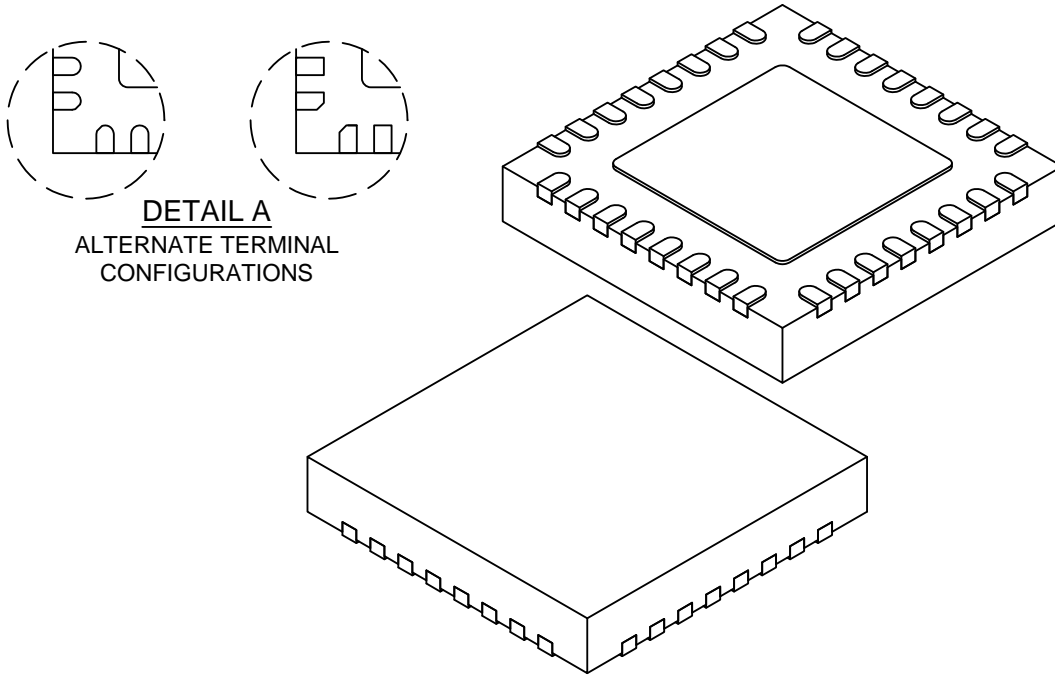
32-Lead Very Thin Plastic Quad Flat, No Lead Package (RXB) - 5x5x0.9 mm Body [VQFN] With 3.1x3.1 mm Exposed Pad; Atmel Legacy Global Package Code ZMF

**Note:** For the most current package drawings, please see the Microchip Packaging Specification located at <http://www.microchip.com/packaging>



### 32-Lead Very Thin Plastic Quad Flat, No Lead Package (RXB) - 5x5x0.9 mm Body [VQFN] With 3.1x3.1 mm Exposed Pad; Atmel Legacy Global Package Code ZMF

**Note:** For the most current package drawings, please see the Microchip Packaging Specification located at <http://www.microchip.com/packaging>



| Dimension Limits        | Units | MILLIMETERS |      |      |
|-------------------------|-------|-------------|------|------|
|                         |       | MIN         | NOM  | MAX  |
| Number of Terminals     | N     | 32          |      |      |
| Pitch                   | e     | 0.50 BSC    |      |      |
| Overall Height          | A     | 0.80        | 0.85 | 0.90 |
| Standoff                | A1    | 0.00        | 0.02 | 0.05 |
| Terminal Thickness      | A3    | 0.203 REF   |      |      |
| Overall Length          | D     | 5.00 BSC    |      |      |
| Exposed Pad Length      | D2    | 3.00        | 3.10 | 3.20 |
| Overall Width           | E     | 5.00 BSC    |      |      |
| Exposed Pad Width       | E2    | 3.00        | 3.10 | 3.20 |
| Terminal Width          | b     | 0.18        | 0.25 | 0.30 |
| Terminal Length         | L     | 0.30        | 0.40 | 0.50 |
| Terminal-to-Exposed-Pad | K     | 0.20        | -    | -    |

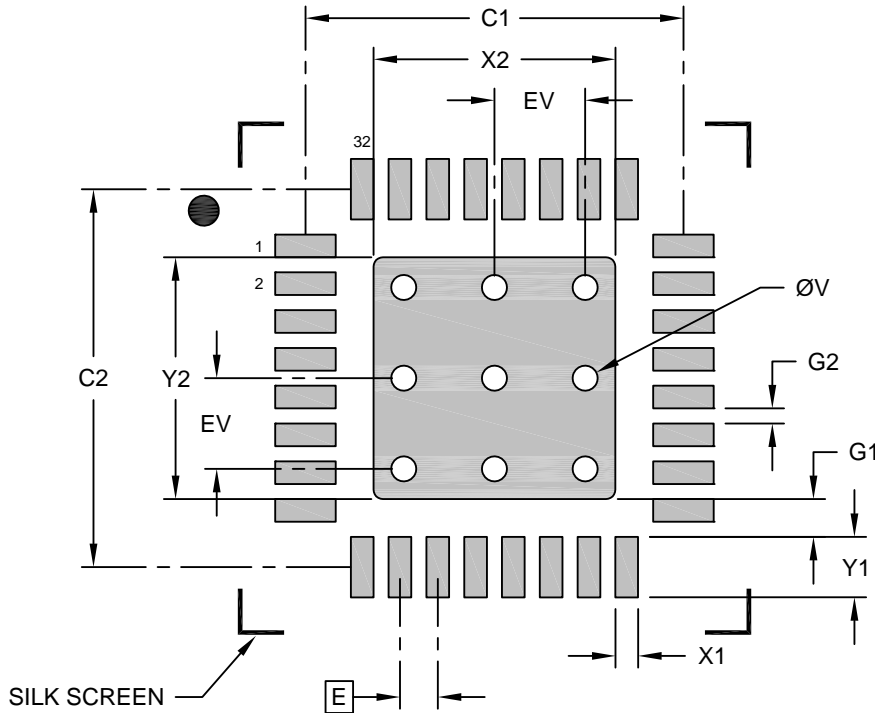
**Notes:**

1. Pin 1 visual index feature may vary, but must be located within the hatched area.
2. Package is saw singulated
3. Dimensioning and tolerancing per ASME Y14.5M
  - BSC: Basic Dimension. Theoretically exact value shown without tolerances.
  - REF: Reference Dimension, usually without tolerance, for information purposes only.

Microchip Technology Drawing C04-21395-RXB Rev B Sheet 2 of 2

### 32-Lead Very Thin Plastic Quad Flat, No Lead Package (RXB) - 5x5x0.9 mm Body [VQFN] With 3.1x3.1 mm Exposed Pad; Atmel Legacy Global Package Code ZMF

**Note:** For the most current package drawings, please see the Microchip Packaging Specification located at <http://www.microchip.com/packaging>



#### RECOMMENDED LAND PATTERN

| Dimension Limits                 | Units | MILLIMETERS |      |      |
|----------------------------------|-------|-------------|------|------|
|                                  |       | MIN         | NOM  | MAX  |
| Contact Pitch                    | E     | 0.50 BSC    |      |      |
| Center Pad Width                 | X2    |             |      | 3.20 |
| Center Pad Length                | Y2    |             |      | 3.20 |
| Contact Pad Spacing              | C1    |             | 5.00 |      |
| Contact Pad Spacing              | C2    |             | 5.00 |      |
| Contact Pad Width (X32)          | X1    |             |      | 0.30 |
| Contact Pad Length (X32)         | Y1    |             |      | 0.80 |
| Contact Pad to Center Pad (X32)  | G1    | 0.20        |      |      |
| Contact Pad to Contact Pad (X28) | G2    | 0.20        |      |      |
| Thermal Via Diameter             | V     |             | 0.33 |      |
| Thermal Via Pitch                | EV    |             | 1.20 |      |

**Notes:**

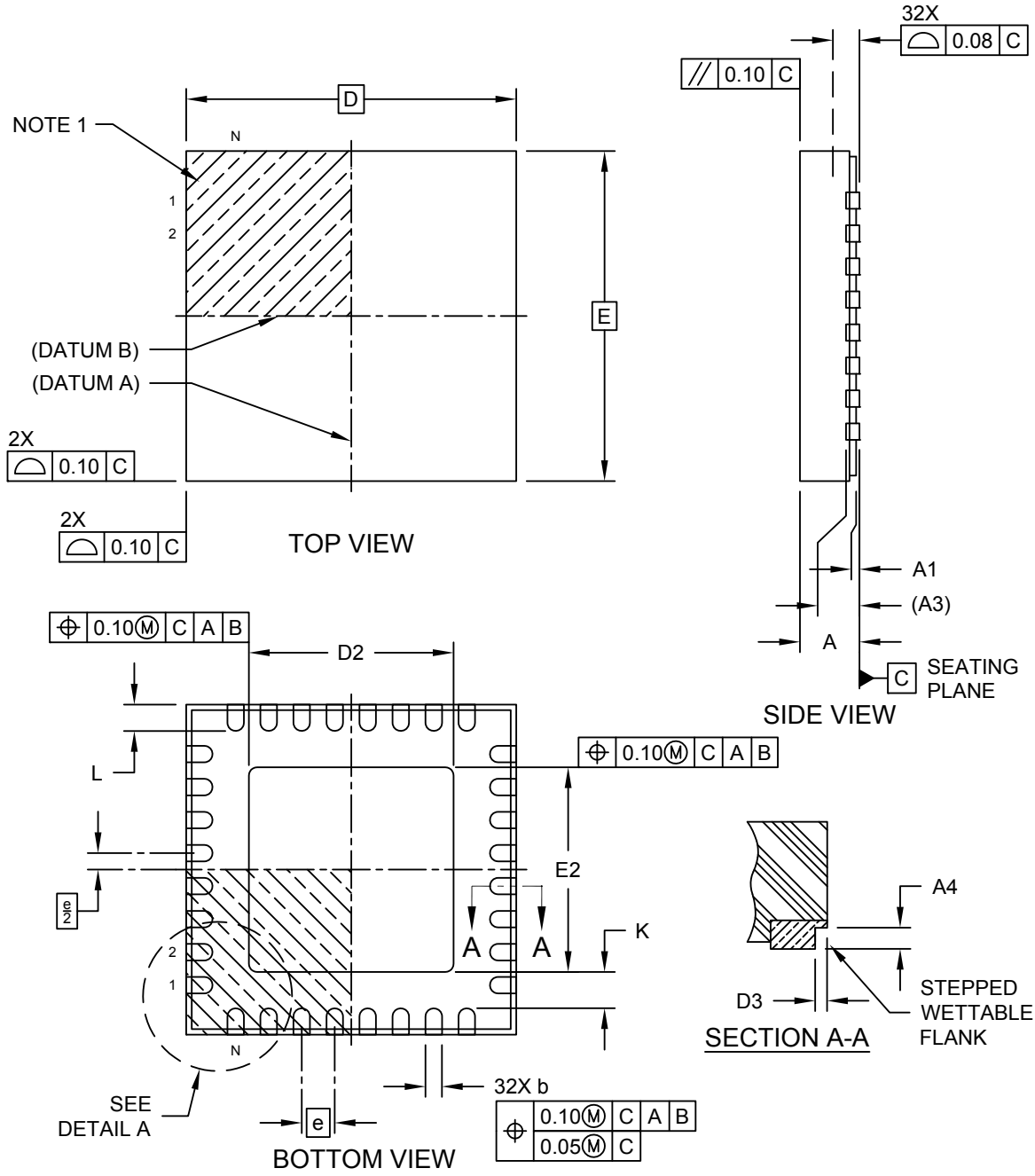
- Dimensioning and tolerancing per ASME Y14.5M  
BSC: Basic Dimension. Theoretically exact value shown without tolerances.
- For best soldering results, thermal vias, if used, should be filled or tented to avoid solder loss during reflow process

Microchip Technology Drawing C04-23395-RXB Rev B

35.6 32-Pin VQFN Wettable Flanks

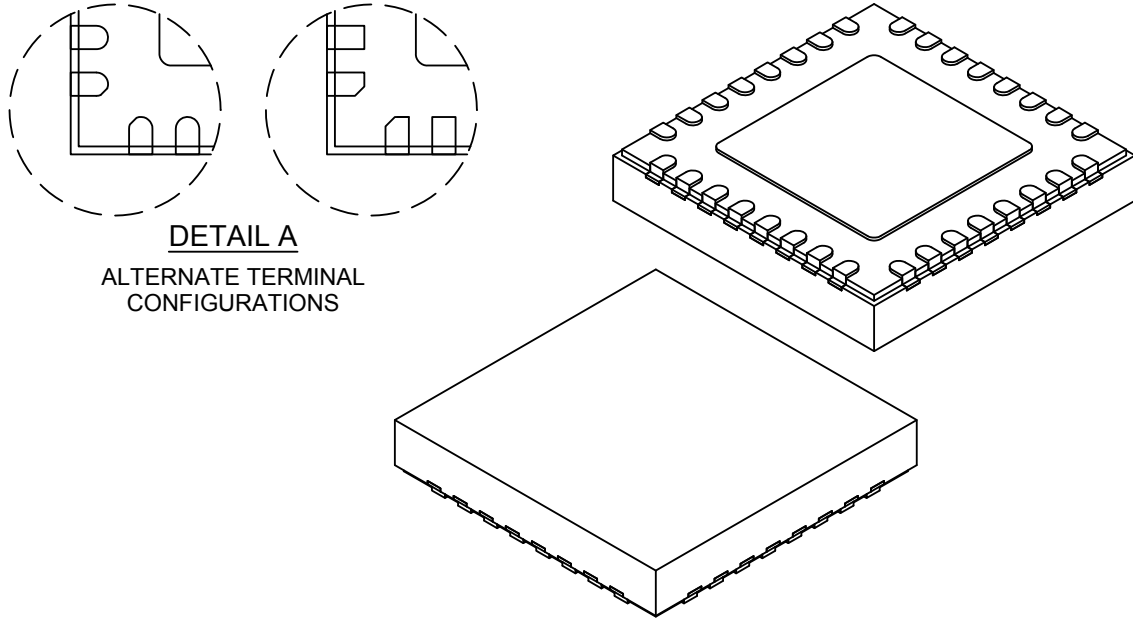
32-Lead Ultra Thin Plastic Quad Flat, No Lead Package (QZB) - 5x5x0.9 mm Body [VQFN]  
 With 3.1 mm Exposed Pad and Stepped Wettable Flanks

**Note:** For the most current package drawings, please see the Microchip Packaging Specification located at <http://www.microchip.com/packaging>



### 32-Lead Ultra Thin Plastic Quad Flat, No Lead Package (QZB) - 5x5x0.9 mm Body [VQFN] With 3.1 mm Exposed Pad and Stepped Wettable Flanks

**Note:** For the most current package drawings, please see the Microchip Packaging Specification located at <http://www.microchip.com/packaging>



| Dimension Limits           | Units | MILLIMETERS |      |       |
|----------------------------|-------|-------------|------|-------|
|                            |       | MIN         | NOM  | MAX   |
| Number of Terminals        | N     | 32          |      |       |
| Pitch                      | e     | 0.50 BSC    |      |       |
| Overall Height             | A     | 0.80        | 0.85 | 0.90  |
| Standoff                   | A1    | 0.00        | 0.02 | 0.05  |
| Terminal Thickness         | A3    | 0.203 REF   |      |       |
| Overall Length             | D     | 5.00 BSC    |      |       |
| Exposed Pad Length         | D2    | 3.00        | 3.10 | 3.20  |
| Overall Width              | E     | 5.00 BSC    |      |       |
| Exposed Pad Width          | E2    | 3.00        | 3.10 | 3.20  |
| Terminal Width             | b     | 0.18        | 0.25 | 0.30  |
| Terminal Length            | L     | 0.30        | 0.40 | 0.50  |
| Terminal-to-Exposed-Pad    | K     | 0.20        | -    | -     |
| Wettable Flank Step Length | D3    | -           | -    | 0.085 |
| Wettable Flank Step Height | A4    | 0.10        | -    | 0.19  |

**Notes:**

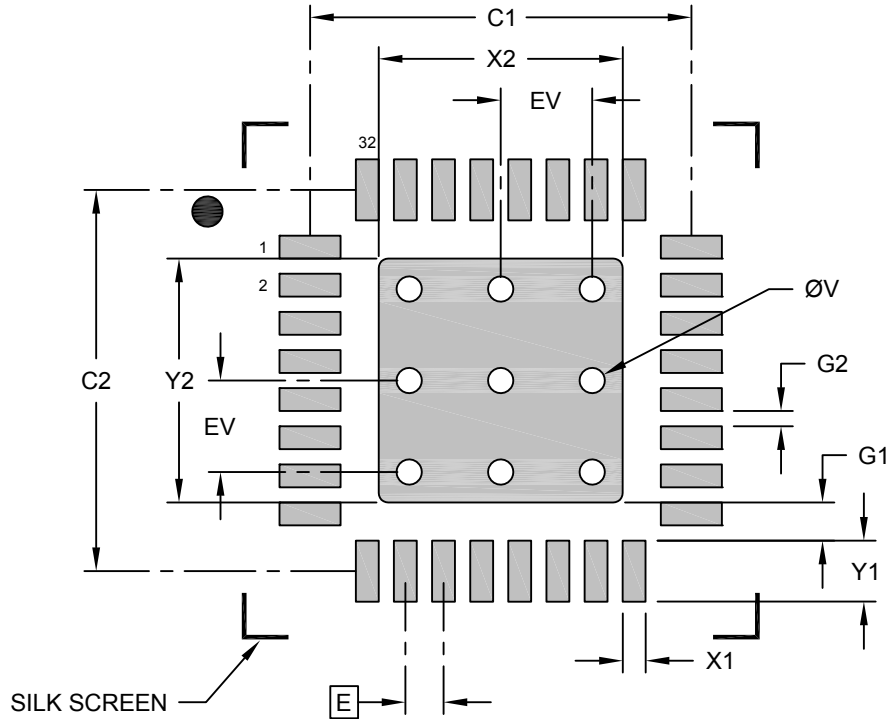
1. Pin 1 visual index feature may vary, but must be located within the hatched area.
2. Package is saw singulated
3. Dimensioning and tolerancing per ASME Y14.5M
  - BSC: Basic Dimension. Theoretically exact value shown without tolerances.
  - REF: Reference Dimension, usually without tolerance, for information purposes only.

Microchip Technology Drawing C04-21511 Rev A Sheet 1 of 2



**32-Lead Ultra Thin Plastic Quad Flat, No Lead Package (QZB) - 5x5x0.9 mm Body [VQFN]  
With 3.1 mm Exposed Pad and Stepped Wettable Flanks**

**Note:** For the most current package drawings, please see the Microchip Packaging Specification located at <http://www.microchip.com/packaging>



**RECOMMENDED LAND PATTERN**

| Dimension Limits                 | Units | MILLIMETERS |      |      |
|----------------------------------|-------|-------------|------|------|
|                                  |       | MIN         | NOM  | MAX  |
| Contact Pitch                    | E     | 0.50 BSC    |      |      |
| Center Pad Width                 | X2    |             |      | 3.20 |
| Center Pad Length                | Y2    |             |      | 3.20 |
| Contact Pad Spacing              | C1    |             | 5.00 |      |
| Contact Pad Spacing              | C2    |             | 5.00 |      |
| Contact Pad Width (X32)          | X1    |             |      | 0.30 |
| Contact Pad Length (X32)         | Y1    |             |      | 0.80 |
| Contact Pad to Center Pad (X32)  | G1    | 0.20        |      |      |
| Contact Pad to Contact Pad (X28) | G2    | 0.20        |      |      |
| Thermal Via Diameter             | V     |             | 0.33 |      |
| Thermal Via Pitch                | EV    |             | 1.20 |      |

**Notes:**

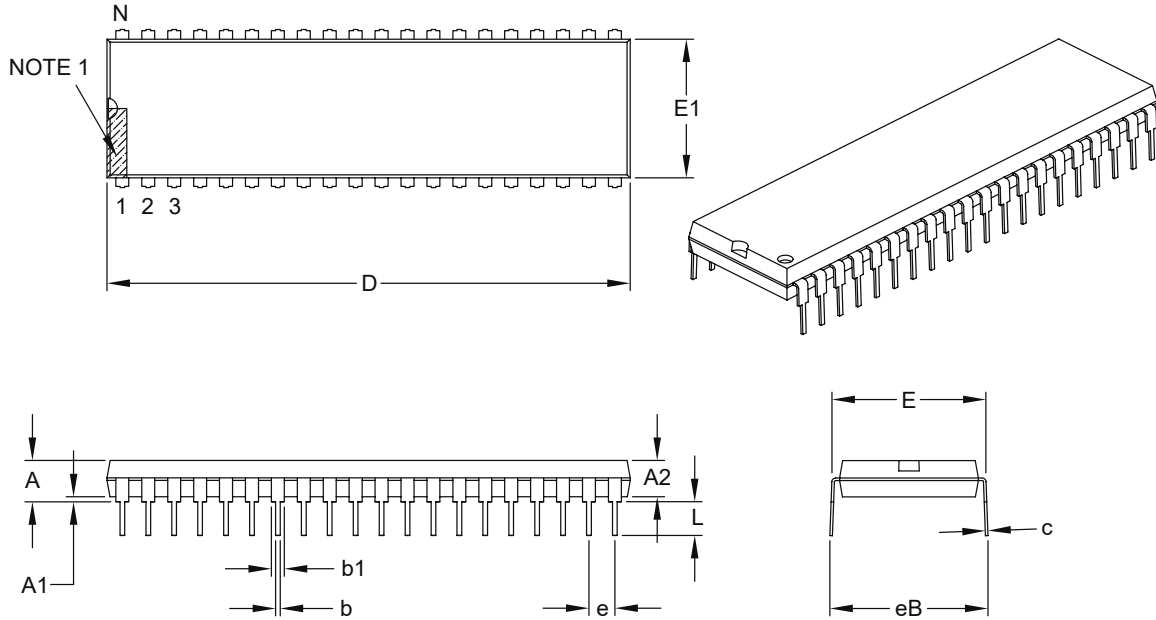
1. Dimensioning and tolerancing per ASME Y14.5M  
BSC: Basic Dimension. Theoretically exact value shown without tolerances.
2. For best soldering results, thermal vias, if used, should be filled or tented to avoid solder loss during reflow process

Microchip Technology Drawing C04-23511 Rev A

35.7 40-Pin PDIP

40-Lead Plastic Dual In-Line (P) – 600 mil Body [PDIP]

**Note:** For the most current package drawings, please see the Microchip Packaging Specification located at <http://www.microchip.com/packaging>



| Dimension Limits           | Units | INCHES   |     |       |
|----------------------------|-------|----------|-----|-------|
|                            |       | MIN      | NOM | MAX   |
| Number of Pins             | N     |          | 40  |       |
| Pitch                      | e     | .100 BSC |     |       |
| Top to Seating Plane       | A     | –        | –   | .250  |
| Molded Package Thickness   | A2    | .125     | –   | .195  |
| Base to Seating Plane      | A1    | .015     | –   | –     |
| Shoulder to Shoulder Width | E     | .590     | –   | .625  |
| Molded Package Width       | E1    | .485     | –   | .580  |
| Overall Length             | D     | 1.980    | –   | 2.095 |
| Tip to Seating Plane       | L     | .115     | –   | .200  |
| Lead Thickness             | c     | .008     | –   | .015  |
| Upper Lead Width           | b1    | .030     | –   | .070  |
| Lower Lead Width           | b     | .014     | –   | .023  |
| Overall Row Spacing §      | eB    | –        | –   | .700  |

**Notes:**

1. Pin 1 visual index feature may vary, but must be located within the hatched area.
2. § Significant Characteristic.
3. Dimensions D and E1 do not include mold flash or protrusions. Mold flash or protrusions shall not exceed .010" per side.
4. Dimensioning and tolerancing per ASME Y14.5M.

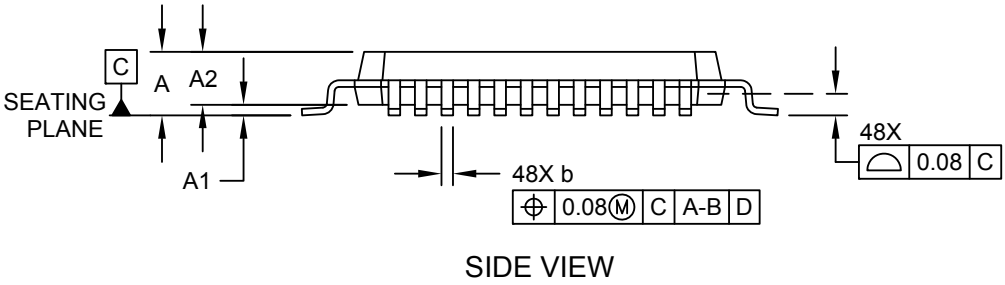
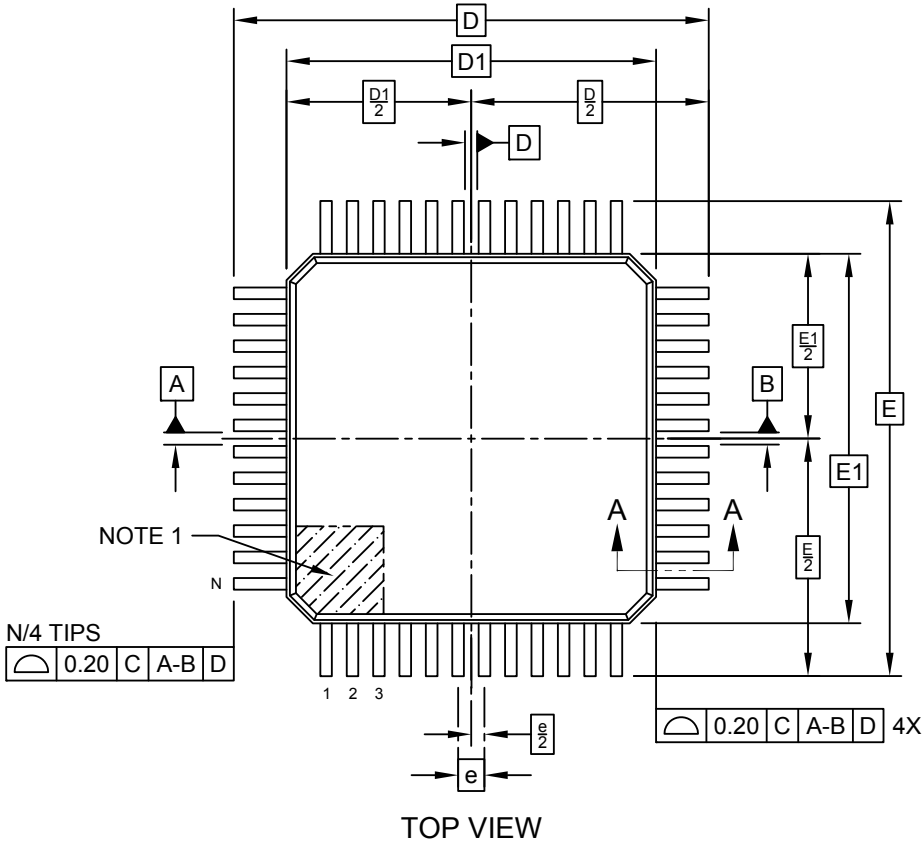
BSC: Basic Dimension. Theoretically exact value shown without tolerances.

Microchip Technology Drawing C04-016B

35.8 48-Pin TQFP

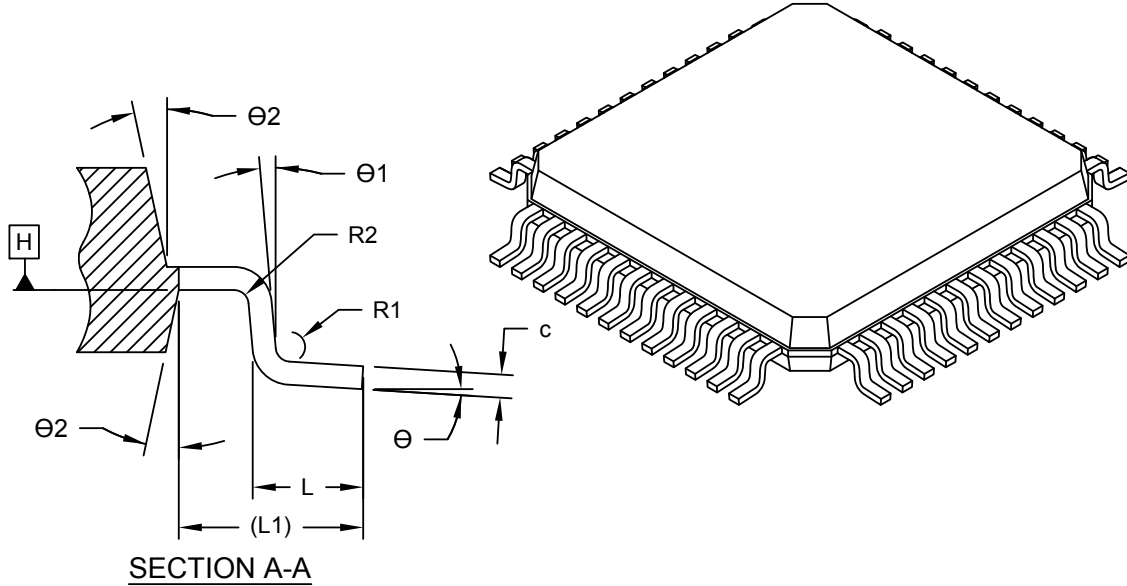
48-Lead Plastic Thin Quad Flatpack (PT) - 7x7x1.0 mm Body [TQFP]

**Note:** For the most current package drawings, please see the Microchip Packaging Specification located at <http://www.microchip.com/packaging>



### 48-Lead Plastic Thin Quad Flatpack (PT) - 7x7x1.0 mm Body [TQFP]

**Note:** For the most current package drawings, please see the Microchip Packaging Specification located at <http://www.microchip.com/packaging>



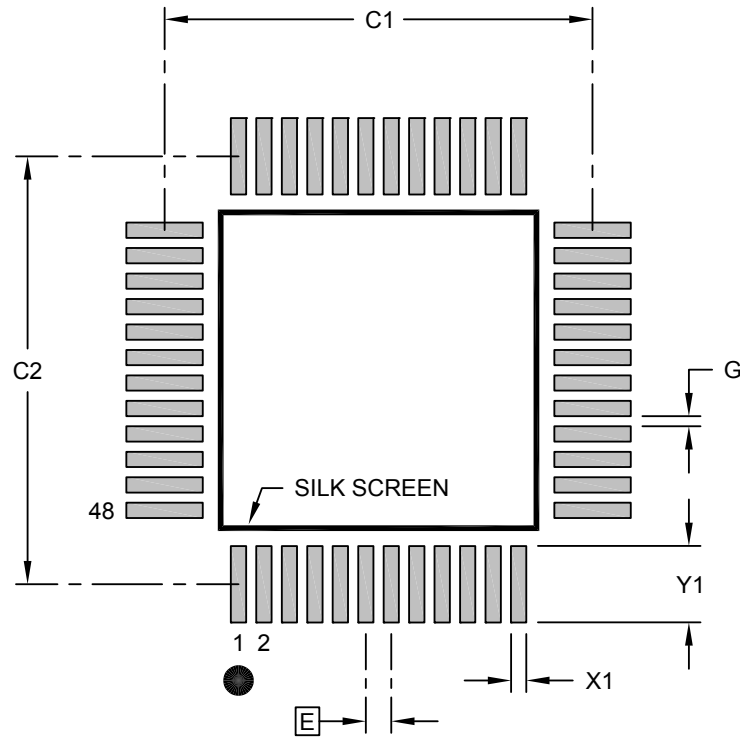
| Dimension Limits         | Units | MILLIMETERS |      |      |
|--------------------------|-------|-------------|------|------|
|                          |       | MIN         | NOM  | MAX  |
| Number of Terminals      | N     | 48          |      |      |
| Pitch                    | e     | 0.50 BSC    |      |      |
| Overall Height           | A     | -           | -    | 1.20 |
| Standoff                 | A1    | 0.05        | -    | 0.15 |
| Molded Package Thickness | A2    | 0.95        | 1.00 | 1.05 |
| Overall Length           | D     | 9.00 BSC    |      |      |
| Molded Package Length    | D1    | 7.00 BSC    |      |      |
| Overall Width            | E     | 9.00 BSC    |      |      |
| Molded Package Width     | E1    | 7.00 BSC    |      |      |
| Terminal Width           | b     | 0.17        | 0.22 | 0.27 |
| Terminal Thickness       | c     | 0.09        | -    | 0.16 |
| Terminal Length          | L     | 0.45        | 0.60 | 0.75 |
| Footprint                | L1    | 1.00 REF    |      |      |
| Lead Bend Radius         | R1    | 0.08        | -    | -    |
| Lead Bend Radius         | R2    | 0.08        | -    | 0.20 |
| Foot Angle               | Θ     | 0°          | 3.5° | 7°   |
| Lead Angle               | Θ1    | 0°          | -    | -    |
| Mold Draft Angle         | Θ2    | 11°         | 12°  | 13°  |

**Notes:**

1. Pin 1 visual index feature may vary, but must be located within the hatched area.
2. Dimensioning and tolerancing per ASME Y14.5M  
 BSC: Basic Dimension. Theoretically exact value shown without tolerances.  
 REF: Reference Dimension, usually without tolerance, for information purposes only.

48-Lead Plastic Thin Quad Flatpack (PT) - 7x7x1.0 mm Body [TQFP]

**Note:** For the most current package drawings, please see the Microchip Packaging Specification located at <http://www.microchip.com/packaging>



RECOMMENDED LAND PATTERN

| Dimension Limits         | Units | MILLIMETERS |      |      |
|--------------------------|-------|-------------|------|------|
|                          |       | MIN         | NOM  | MAX  |
| Contact Pitch            | E     | 0.50 BSC    |      |      |
| Contact Pad Spacing      | C1    |             | 8.40 |      |
| Contact Pad Spacing      | C2    |             | 8.40 |      |
| Contact Pad Width (X48)  | X1    |             |      | 0.30 |
| Contact Pad Length (X48) | Y1    |             |      | 1.50 |
| Distance Between Pads    | G     | 0.20        |      |      |

Notes:

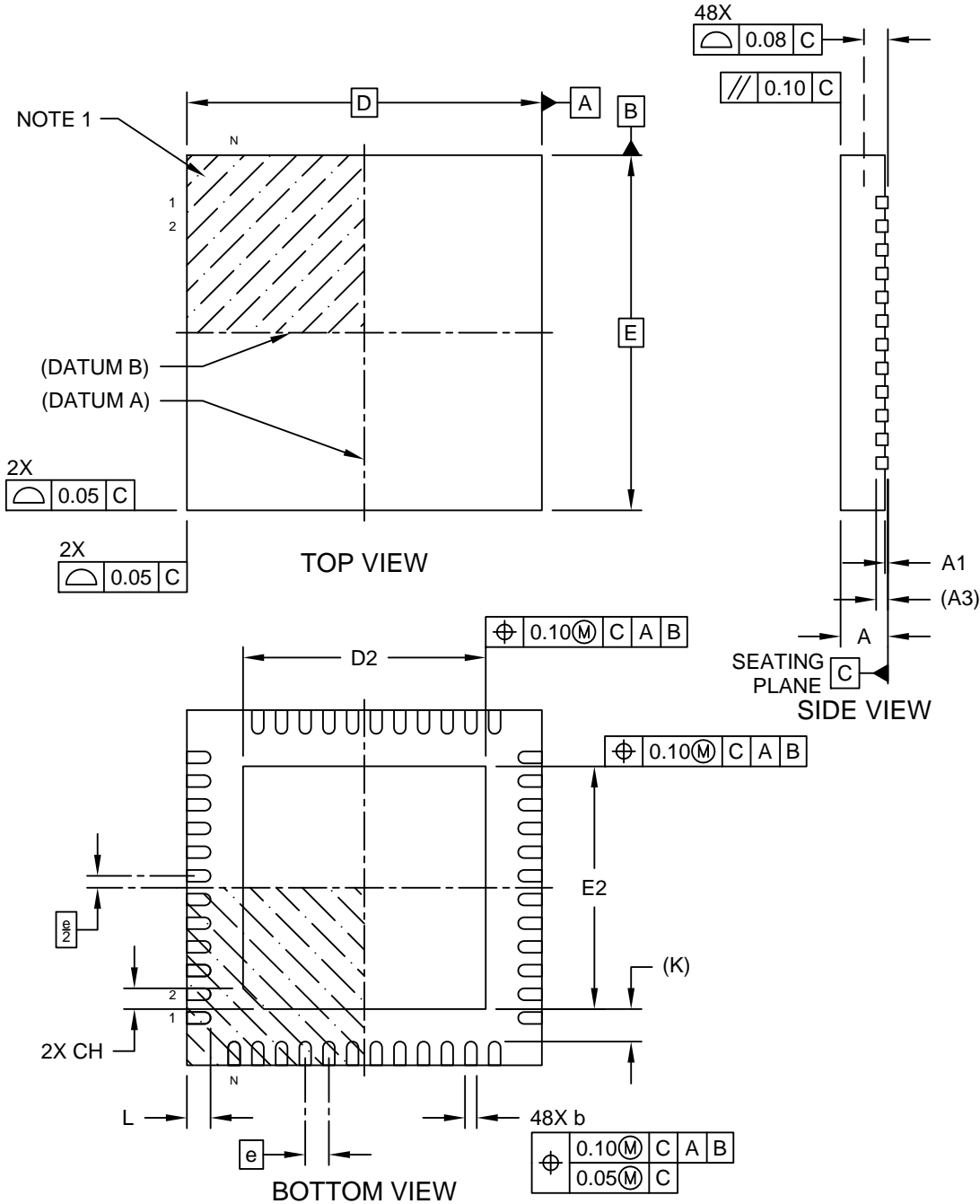
1. Dimensioning and tolerancing per ASME Y14.5M  
BSC: Basic Dimension. Theoretically exact value shown without tolerances.
2. For best soldering results, thermal vias, if used, should be filled or tented to avoid solder loss during reflow process

Microchip Technology Drawing C04-2300-PT Rev D

35.9 48-Pin VQFN

48-Lead Very Thin Plastic Quad Flat, No Lead Package (6LX) - 6x6 mm Body [VQFN]  
With 4.1x4.1 mm Exposed Pad

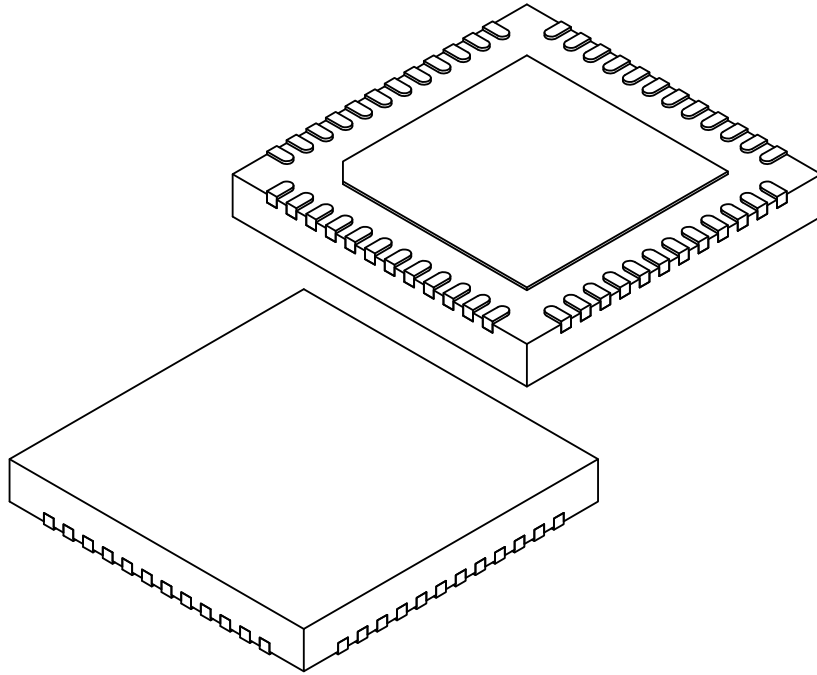
**Note:** For the most current package drawings, please see the Microchip Packaging Specification located at <http://www.microchip.com/packaging>



Microchip Technology Drawing C04-494 Rev A Sheet 1 of 2

### 48-Lead Very Thin Plastic Quad Flat, No Lead Package (6LX) - 6x6 mm Body [VQFN] With 4.1x4.1 mm Exposed Pad

**Note:** For the most current package drawings, please see the Microchip Packaging Specification located at <http://www.microchip.com/packaging>



| Dimension Limits           | Units | MILLIMETERS |      |      |
|----------------------------|-------|-------------|------|------|
|                            |       | MIN         | NOM  | MAX  |
| Number of Terminals        | N     | 48          |      |      |
| Pitch                      | e     | 0.40 BSC    |      |      |
| Overall Height             | A     | 0.80        | 0.85 | 0.90 |
| Standoff                   | A1    | 0.00        | 0.02 | 0.05 |
| Terminal Thickness         | A3    | 0.20 REF    |      |      |
| Overall Length             | D     | 6.00 BSC    |      |      |
| Exposed Pad Length         | D2    | 4.00        | 4.10 | 4.20 |
| Overall Width              | E     | 6.00 BSC    |      |      |
| Exposed Pad Width          | E2    | 4.00        | 4.10 | 4.20 |
| Exposed Pad Corner Chamfer | CH    | 0.35 REF    |      |      |
| Terminal Width             | b     | 0.15        | 0.20 | 0.25 |
| Terminal Length            | L     | 0.30        | 0.40 | 0.50 |
| Terminal-to-Exposed-Pad    | K     | 0.55 REF    |      |      |

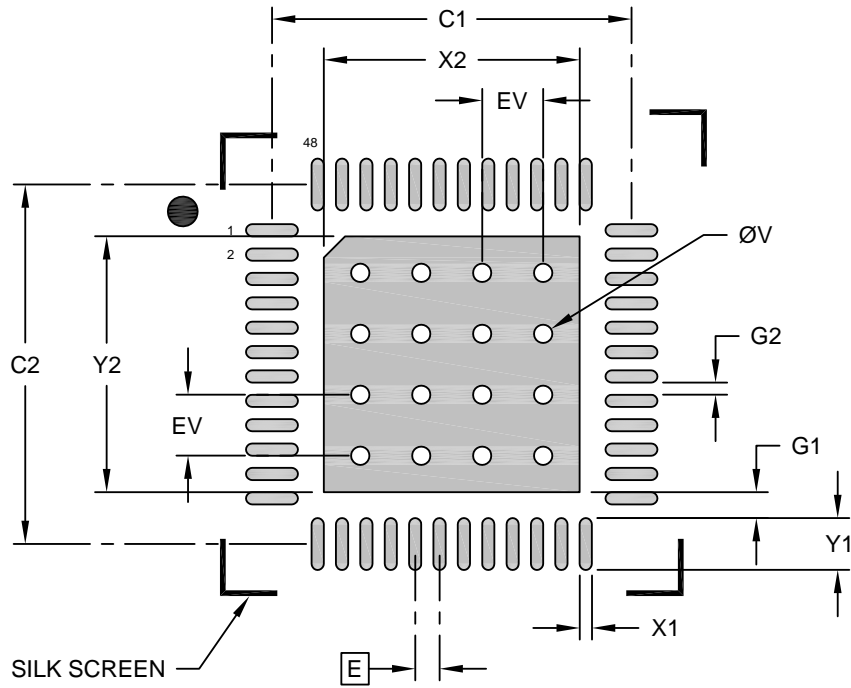
**Notes:**

1. Pin 1 visual index feature may vary, but must be located within the hatched area.
2. Package is saw singulated
3. Dimensioning and tolerancing per ASME Y14.5M  
 BSC: Basic Dimension. Theoretically exact value shown without tolerances.  
 REF: Reference Dimension, usually without tolerance, for information purposes only.

Microchip Technology Drawing C04-494 Rev A Sheet 1 of 2

**48-Lead Very Thin Plastic Quad Flat, No Lead (6LX) - 6x6 mm Body [VQFN]  
With 4.1x4.1 mm Exposed Pad**

**Note:** For the most current package drawings, please see the Microchip Packaging Specification located at <http://www.microchip.com/packaging>



**RECOMMENDED LAND PATTERN**

| Dimension Limits                 | Units | MILLIMETERS |      |      |
|----------------------------------|-------|-------------|------|------|
|                                  |       | MIN         | NOM  | MAX  |
| Contact Pitch                    | E     | 0.40 BSC    |      |      |
| Optional Center Pad Width        | X2    |             |      | 4.20 |
| Optional Center Pad Length       | Y2    |             |      | 4.20 |
| Contact Pad Spacing              | C1    |             | 5.90 |      |
| Contact Pad Spacing              | C2    |             | 5.90 |      |
| Contact Pad Width (X48)          | X1    |             |      | 0.20 |
| Contact Pad Length (X48)         | Y1    |             |      | 0.85 |
| Contact Pad to Center Pad (X48)  | G1    | 0.20        |      |      |
| Contact Pad to Contact Pad (X44) | G2    | 0.20        |      |      |
| Thermal Via Diameter             | V     |             | 0.30 |      |
| Thermal Via Pitch                | EV    |             | 1.00 |      |

**Notes:**

- Dimensioning and tolerancing per ASME Y14.5M  
BSC: Basic Dimension. Theoretically exact value shown without tolerances.
- For best soldering results, thermal vias, if used, should be filled or tented to avoid solder loss during reflow process

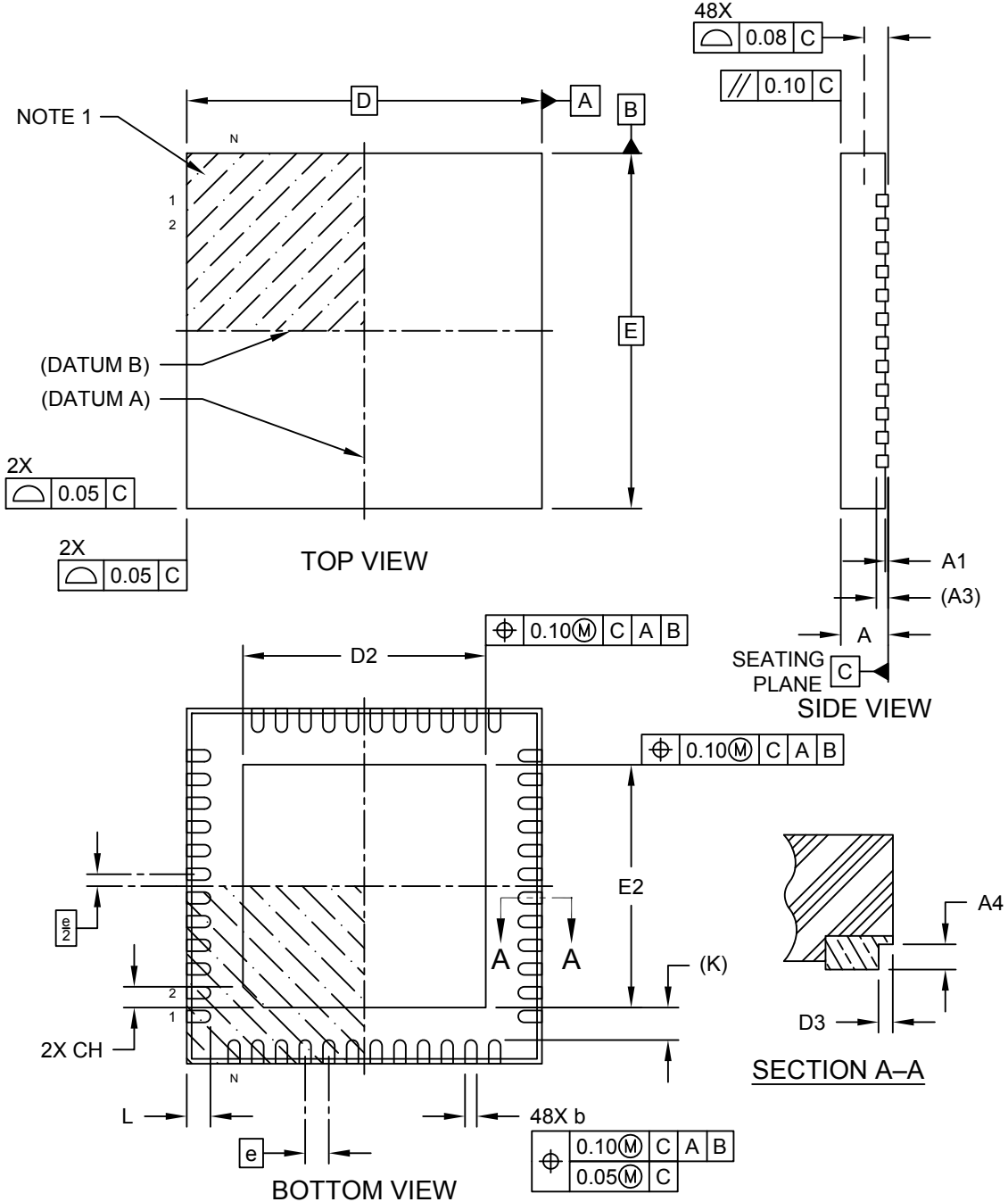
Microchip Technology Drawing C04-2494 Rev A



35.10 48-Pin VQFN Wettable Flanks

48-Lead Very Thin Plastic Quad Flat, No Lead Package (6MX) - 6x6 mm Body [VQFN]  
With 4.1x4.1 mm Exposed Pad and Stepped Wettable Flanks

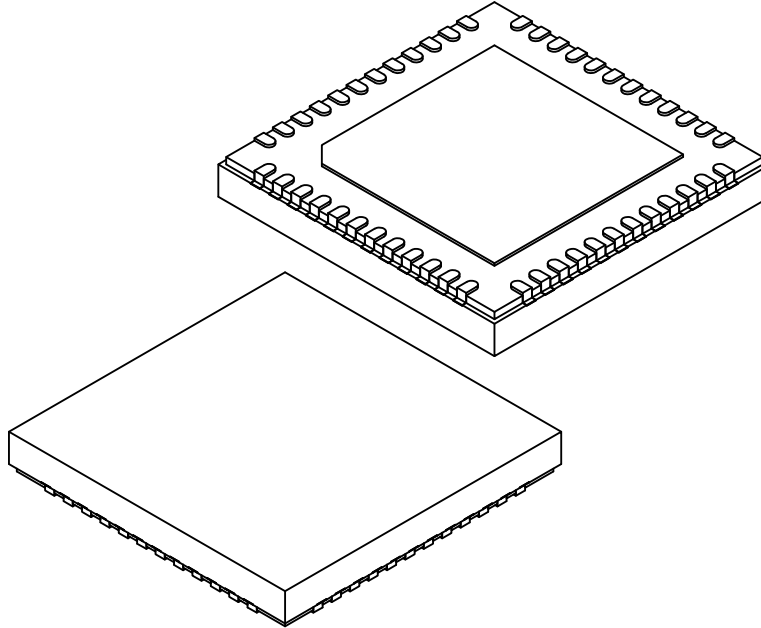
**Note:** For the most current package drawings, please see the Microchip Packaging Specification located at <http://www.microchip.com/packaging>



Microchip Technology Drawing C04-504 Rev A Sheet 1 of 2

### 48-Lead Very Thin Plastic Quad Flat, No Lead Package (6MX) - 6x6 mm Body [VQFN] With 4.1x4.1 mm Exposed Pad and Stepped Wettable Flanks

**Note:** For the most current package drawings, please see the Microchip Packaging Specification located at <http://www.microchip.com/packaging>



| Dimension Limits           | Units | MILLIMETERS |      |       |
|----------------------------|-------|-------------|------|-------|
|                            |       | MIN         | NOM  | MAX   |
| Number of Terminals        | N     | 48          |      |       |
| Pitch                      | e     | 0.40 BSC    |      |       |
| Overall Height             | A     | 0.80        | 0.85 | 0.90  |
| Standoff                   | A1    | 0.00        | 0.02 | 0.05  |
| Terminal Thickness         | A3    | 0.20 REF    |      |       |
| Overall Length             | D     | 6.00 BSC    |      |       |
| Exposed Pad Length         | D2    | 4.00        | 4.10 | 4.20  |
| Overall Width              | E     | 6.00 BSC    |      |       |
| Exposed Pad Width          | E2    | 4.00        | 4.10 | 4.20  |
| Exposed Pad Corner Chamfer | CH    | 0.35 REF    |      |       |
| Terminal Width             | b     | 0.15        | 0.20 | 0.25  |
| Terminal Length            | L     | 0.30        | 0.40 | 0.50  |
| Terminal-to-Exposed-Pad    | K     | 0.55 REF    |      |       |
| Wettable Flank Step Length | D3    | -           | -    | 0.085 |
| Wettable Flank Step Height | A4    | 0.10        | -    | 0.19  |

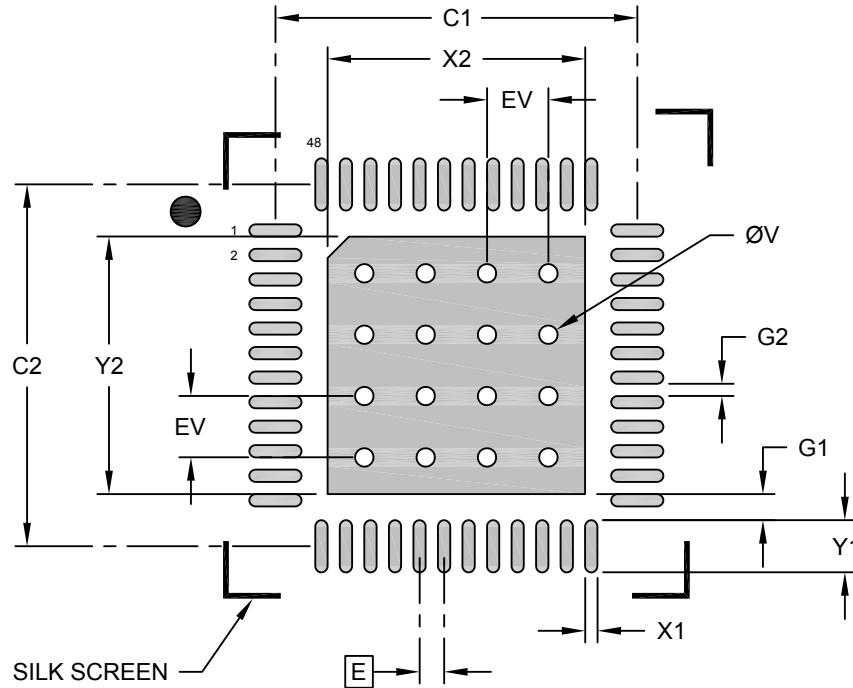
**Notes:**

1. Pin 1 visual index feature may vary, but must be located within the hatched area.
2. Package is saw singulated
3. Dimensioning and tolerancing per ASME Y14.5M
  - BSC: Basic Dimension. Theoretically exact value shown without tolerances.
  - REF: Reference Dimension, usually without tolerance, for information purposes only.

Microchip Technology Drawing C04-504 Rev A Sheet 2 of 2

**48-Lead Very Thin Plastic Quad Flat, No Lead Package (6MX) - 6x6 mm Body [VQFN]  
With 4.1x4.1 mm Exposed Pad and Stepped Wettable Flanks**

**Note:** For the most current package drawings, please see the Microchip Packaging Specification located at <http://www.microchip.com/packaging>



**RECOMMENDED LAND PATTERN**

| Dimension Limits                 | Units | MILLIMETERS |      |      |
|----------------------------------|-------|-------------|------|------|
|                                  |       | MIN         | NOM  | MAX  |
| Contact Pitch                    | E     | 0.40 BSC    |      |      |
| Optional Center Pad Width        | X2    |             |      | 4.20 |
| Optional Center Pad Length       | Y2    |             |      | 4.20 |
| Contact Pad Spacing              | C1    |             | 5.90 |      |
| Contact Pad Spacing              | C2    |             | 5.90 |      |
| Contact Pad Width (X48)          | X1    |             |      | 0.20 |
| Contact Pad Length (X48)         | Y1    |             |      | 0.85 |
| Contact Pad to Center Pad (X48)  | G1    | 0.20        |      |      |
| Contact Pad to Contact Pad (X44) | G2    | 0.20        |      |      |
| Thermal Via Diameter             | V     |             | 0.30 |      |
| Thermal Via Pitch                | EV    |             | 1.00 |      |

**Notes:**

1. Dimensioning and tolerancing per ASME Y14.5M  
BSC: Basic Dimension. Theoretically exact value shown without tolerances.
2. For best soldering results, thermal vias, if used, should be filled or tented to avoid solder loss during reflow process

Microchip Technology Drawing C04-2504 Rev A

## 36. Data Sheet Revision History

**Note:** The data sheet revision is independent of the die revision and the device variant (last letter of the ordering number).

### 36.1 Rev. C - 02/2021

| Section                                 | Changes  |
|---|--|
| Entire Document                         | <ul style="list-style-type: none"> <li>• Terminology update:               <ul style="list-style-type: none"> <li>– The SPI and TWI standards use the terminology "Master" and "Slave". The equivalent Microchip terminology used in this document is "Host" and "Client" respectively.</li> </ul> </li> <li>• Editorial updates throughout the document</li> </ul>  |
| Table of Contents                       | <ul style="list-style-type: none"> <li>• Removed the peripheral name in the title under the peripheral <i>Register Summary</i> and <i>Register Description</i> sections</li> <li>• The <i>Crystal Error Correction</i> section is added</li> </ul>   |
| megaAVR® 0-series Overview              | <ul style="list-style-type: none"> <li>• Updated the megaAVR® Device Designations figure</li> </ul>  |
| Features                                | <ul style="list-style-type: none"> <li>• Speed grade range upper limit is changed from -40°C to +105°C. Speed grade range added for Automotive part</li> </ul>   |
| Pinout                                  | RESET text added for pin PF6   |
| AVR® CPU                                | <ul style="list-style-type: none"> <li>• The Arithmetic Logic Unit (ALU) section is updated to differentiate between register and working register</li> <li>• Program Flow section is updated to clarify changes in the program flow</li> <li>• The <i>Stack and Stack Pointer</i> section is updated:               <ul style="list-style-type: none"> <li>– Clarify the pushing and popping of data onto the stack</li> <li>– The reference to EICAL instruction removed</li> </ul> </li> <li>• The Register File section is updated to clarify instruction access to the register file</li> <li>• The X-, Y-, and Z-Register section is updated to differentiate between register and working register and certify the different addressing modes</li> <li>• The Status Register description is updated to be in line with the AVR Instruction Set description</li> <li>• The <i>Accessing 16-Bit Registers</i> section is added</li> </ul> |
| Peripherals and Architecture            | <ul style="list-style-type: none"> <li>• The <i>Interrupt vector Mapping</i> table is updated :               <ul style="list-style-type: none"> <li>– Added <i>Description</i> and <i>Peripherals Source names</i> columns</li> <li>– The <i>Vector Address</i> changed to <i>Program address (word)</i></li> </ul> </li> </ul>   |
| NVMCTRL - Nonvolatile Memory Controller | <ul style="list-style-type: none"> <li>• Updated the NVMCTRL <i>Block Diagram</i> for better understanding of the NVMCTRL peripheral</li> <li>• Improved the <i>Set Up Flash Sections</i> table description of the <i>boot section lock</i> and <i>application code</i> sections</li> <li>• Added a section detailing the write access after Power-on Reset</li> <li>• Added the NVMCTRL.CTRLB to registers under <i>Configuration Change Protection</i></li> </ul>  |

| .....continued                    |   |
|-----------------------------------|---|
| Section                           | Changes   |
| CLKCTRL - Clock Controller        | <ul style="list-style-type: none"> <li>• Corrected the <i>Block Diagram</i> by removing the <i>TCD</i> timer which is not present on this device</li> <li>• Updated the MCLKCTRLB, PDIV bit field description (table changed)</li> </ul>  |
| SLPCTRL - Sleep Controller        | <ul style="list-style-type: none"> <li>• In the <i>Sleep Mode Activity Overview for Peripherals</i> table:               <ul style="list-style-type: none"> <li>– Removed column <i>Clock</i> and <i>Group</i></li> <li>– Updated notes below the table</li> </ul> </li> <li>• Added separate tables <i>Sleep Mode Activity for Clock Source</i> and <i>Sleep Mode Activity Wake-up Sources</i></li> </ul>  |
| RSTCTRL - Reset Controller        | <ul style="list-style-type: none"> <li>• Updated <i>Features</i> to improve the readability of <i>Reset sources</i> grouping <i>Power Supply Reset Sources</i> and <i>User Reset Sources</i></li> <li>• Improved the working principle of the different reset sources and inclusion of timing diagrams in <i>Functional Description</i> under <i>Initialization</i> section</li> <li>• In the <i>Logic Domains Affected by Various Resets</i> table removed columns:               <ul style="list-style-type: none"> <li>– <i>TCD Pin Override Functionality Available</i></li> <li>– <i>Reset of TCD Pin Override Settings</i></li> <li>– <i>Reset of BOD configuration</i></li> </ul> </li> <li>• Clarified the behavior of the flags in the Reset Flag (RSTFR) register after a POR has occurred</li> <li>• Updated the description in the <i>Power-on Reset (POR)</i> section</li> </ul> |
| CPUINT - CPU Interrupt Controller | <ul style="list-style-type: none"> <li>• Added a table to improve the description, and moved relevant text below figures, in the <i>Interrupt Response Time</i> section</li> <li>• In the <i>High-Priority Interrupt</i> section: Clarified that priority level 1 will interrupt priority level 0 interrupts</li> <li>• Added the <i>Debug Operation</i> section</li> <li>• Corrected the terminology from number to address in the Interrupt Vector with Priority Level 1 register description</li> </ul>  |
| EVSYS - Event System              | <ul style="list-style-type: none"> <li>• Improved the <i>Block Diagram</i> figure by adding <i>EVOUTx</i></li> <li>• In the <i>Event Generators</i> section, improved readability by adding the <i>Properties of Generated Events</i> and the <i>Event Generators</i> tables.</li> <li>• Added information on event user synchronization</li> </ul>   |
| PORT - I/O Pin Configuration      | <ul style="list-style-type: none"> <li>• Improved the <i>Overview</i> text and the <i>Block Diagram</i></li> <li>• Updated Functional Description:               <ul style="list-style-type: none"> <li>– Added optional initialization steps</li> <li>– Moved Pin n Control offset from <i>Basic Functions</i> to <i>Pin Configuration</i></li> <li>– Clarified that the pull-up is disabled when the output driver is enabled</li> <li>– Moved interrupt settings considerations from the <i>Pin Configuration</i> to the <i>Interrupt</i> section</li> <li>– Updated the <i>Asynchronous Sensing Pin Properties</i> section</li> <li>– Updated the <i>Events</i> section per AVR best practice</li> <li>– Added the <i>Debug Operation</i> section per AVR best practice</li> </ul> </li> <li>• Updated the Registers Description per AVR best practice</li> </ul>                         |

| .....continued                    |  |
|-----------------------------------|--|
| Section                           | Changes  |
| WDT - Watchdog Timer              | <ul style="list-style-type: none"> <li>• Improved the <i>Block Diagram</i></li> <li>• Corrected the oscillator frequency from 1 kHz to 1.024 kHz, and 32 kHz to 32.768 kHz</li> <li>• In the <i>Control A</i> register description in the <i>Window</i> bit field table, the precision of the values have been corrected</li> </ul>  |
| TCA - 16-bit Timer/Counter Type A | <ul style="list-style-type: none"> <li>• Clarifications added               <ul style="list-style-type: none"> <li>– For single-slope PWM generation, counting from TOP to BOTTOM is not supported</li> <li>– Dual-slope PWM results in approx. half the maximum operation frequency compared to single-slope PWM operation, due to twice the number of timer increments per period</li> <li>– Added timing diagram for split mode</li> <li>– Event actions with level input detection work reliably only if the event frequency is lower than the timer's frequency</li> <li>– (H/L)CMPnOV bits in CTRLC in normal and split mode: When the output is connected to the pad, overriding these bits requires the CMPnEN bits in the TCAn.CTRLB register to be enabled. The CMPnEN bit is bypassed when the output is connected to the CCL.</li> <li>– LUPD bit in CTRLRESET/CLR: LUPD does not prevent an update issued by CTRLC.CMD</li> <li>– For operation modes with update condition on BOTTOM and compare interrupt enabled:                   <ul style="list-style-type: none"> <li>• If CMPn=0, an interrupt will be given together with the update at BOTTOM</li> <li>• If CMPnBUF=0, an interrupt will be given the next time the counter reaches BOTTOM</li> </ul> </li> </ul> </li> </ul>  |
| TCB - 16-bit Timer/Counter Type B | <ul style="list-style-type: none"> <li>• The <i>Initialization</i> section is updated to include an optional step to enable waveform output on a pin</li> <li>• Time-Out Check Mode_ Input Capture on Event Mode, Input Capture Frequency Measurement Mode, Input Capture Pulse-Width Measurement Mode, Input Capture Frequency and Pulse-Width Measurement Mode, Single-Shot Mode sections explanation about TCB as event user added</li> <li>• In the <i>Single-Shot Mode</i> section, the EDGE bit explanation is corrected</li> <li>• In the <i>8-Bit PWM Mode</i> section, the explanation of duty cycle and period is corrected</li> <li>• In the <i>Output</i> section, the explanation of the CCMPEN bit is added</li> <li>• In the <i>Events</i> section, the reference to the OVF event and the COUNT event user are removed</li> <li>• The Control B register description is updated:               <ul style="list-style-type: none"> <li>– The CCMPINIT bit has no effect in Single-Shot and 8-bit PWM mode</li> <li>– Improved description of the CCMPEN bit</li> </ul> </li> <li>• The Event Control register description: The EDGE bit explanation is corrected</li> <li>• The Temporary Value register description is improved</li> <li>• The Capture/Compare register description explanation of the duty cycle and period is corrected</li> </ul> |

| .....continued  |   |
|---|---|
| Section   | Changes   |
| RTC - Real-Time Counter   | <ul style="list-style-type: none"> <li>• Restructured the <i>Events Generators in RTC</i> table:               <ul style="list-style-type: none"> <li>– Added a table for the <i>Interrupt Control</i> and the <i>Periodic Interrupt Timer Control A</i> registers</li> <li>– Added the <i>Feature Crystal Error Correction</i> and related text</li> <li>– Added the <i>Frequency Error Correction</i> bit in the CTRLA register</li> <li>– Added the <i>Crystal Frequency Calibration</i> register</li> </ul> </li> </ul>   |
| USART - Universal Synchronous and Asynchronous Receiver and Transmitter | <ul style="list-style-type: none"> <li>• In the <i>Overview</i> section:               <ul style="list-style-type: none"> <li>– <i>single - write</i> is changed to <i>two level - write</i></li> </ul> </li> <li>• In the <i>Feature</i> list and the IRCOM TXPLCTRL register, <i>system clock</i> is change to <i>peripheral clock</i></li> <li>• Changed the Block diagram text</li> <li>• Added information about the TX Buffer register</li> <li>• Restructured the <i>Data Transmission</i> and the <i>Data Reception</i> sections</li> <li>• <i>Auto Baud</i> section text regarding tolerance configuration is added</li> <li>• Register text restructure and bit fields tables added:               <ul style="list-style-type: none"> <li>– Receiver Data Register Low Byte, Receiver Data Register High Byte register, and USART Status</li> <li>– USART Status register table added for the configuration of the bit field WFB</li> <li>– Control A, Control B register table added for bit field configuration</li> <li>– Control D register text was restructured and table values regarding tolerance are updated</li> <li>– IrDA Control register added table</li> </ul> </li> <li>• Register name changed from <i>Control C - Asynchronous Mode</i> to <i>Control C - Normal Mode</i></li> </ul> |
| SPI - Serial Peripheral Interface                                       | <ul style="list-style-type: none"> <li>• First Receive Buffer and Second Receive Buffer registers now referred to as Receive Data Register and Receive Data Register</li> </ul>   |
| TWI - Two-Wire Interface  | <ul style="list-style-type: none"> <li>• Updated the <i>Features</i> section terminology</li> <li>• Added the <i>Debug Operation</i> section</li> <li>• Clarifications and corrections               <ul style="list-style-type: none"> <li>– Description of Bus Error (BUSERR) in MSTATUS and SSTATUS registers</li> <li>– Description of Address Packet Flag Activation of Read/Write Interrupt Flags (WIF/RIF) in MSTATUS register</li> <li>– Description of Data and Address or Stop Interrupt Flags (DIF/APIF) in SSTATUS register</li> <li>– Behavior of the Acknowledge Action (ACKACT) bit in MCTRLB, MDATA, SCTRLB registers</li> <li>– The <i>Clock Generation</i> section is expanded to ensure correct low times for SCL in Fm+ mode</li> </ul> </li> </ul>   |
| CRCSCAN - Cyclic Redundancy Check Memory Scan                           | <ul style="list-style-type: none"> <li>• Improved description of CRC scan in ENABLE bit in the Control A (CRCSCAN.CTRLA) register, and the OK bit in the Status (CRCSCAN.STATUS) register</li> <li>• Added missing CRC Flash Access Mode (MODE) bit field in the Control B (CRCSCAN.CTRLB) register</li> </ul>  |

| .....continued                             |  |
|--|--|
| Section                                    | Changes  |
| CCL - Configurable Custom Logic            | <ul style="list-style-type: none"> <li>• LUTn-IN[] has been renamed to LUTn-TRUTHSEL[] to better reflect its functionality</li> <li>• The <i>Truth Table Logic</i> section is rewritten for clarity and an example is added</li> <li>• The <i>Event Input Selection</i> (EVENTx) section reference to a wrong register is corrected</li> <li>• The CTRLA register description is rewritten for clarity</li> <li>• The TRUTHn register description is updated to include a truth table</li> </ul>   |
| AC - Analog Comparator                     | <ul style="list-style-type: none"> <li>• The <i>Input Sources</i> section: Fixed typo from MUXTRLA to MUXCTRLA</li> <li>• The <i>Power Modes</i> section: Fixed bug from MODE to LPMODE</li> <li>• The <i>Internal Inputs</i> section: Fixed typo from DAC to AC</li> <li>• Restructured the text for the <i>Events</i> section</li> <li>• Added a title to the bit field table INTMODE in Control A register</li> <li>• Restructured the text for the INVERT bit field in the MUX Control register</li> <li>• Restructured the text for the DAC Voltage Reference register</li> </ul>   |
| ADC - Analog-to-Digital Converter          | <ul style="list-style-type: none"> <li>• Added the <i>Definitions</i> section to define terms such as Offset or Gain Error, Integral Non-Linearity, and Differential Non-Linearity among others</li> <li>• Correction of the bit field name from WCOMP to WCMP, in both INTCTRL and INTFLAG registers</li> </ul>   |
| UPDI - Unified Program and Debug Interface | <ul style="list-style-type: none"> <li>• Reorganized the BREAK Character section into BREAK and SYNCH with some more details</li> <li>• In the ASI Control A register added the missing value, 0x00 (32 MHz UPDI Clock), to the UPDI Clock Select bit field</li> <li>• In the Status A register, the UPDI Revision bit field Access Reset is corrected from 0x01 to 0x03</li> </ul>  |
| Electrical Characteristics                 | <ul style="list-style-type: none"> <li>• General Operating Ratings               <ul style="list-style-type: none"> <li>– Clarified ranges in the <i>Maximum Frequency vs. VDD</i> figures</li> <li>– Added <i>Maximum Frequency vs. VDD</i> figure for automotive range parts</li> </ul> </li> <li>• Power Consumption               <ul style="list-style-type: none"> <li>– Clarified clock source for the <i>Active/Idle Supply vs. Frequency</i> plots</li> <li>– Added a Max. 25°C column in the <i>Power Consumption in Power-Down, Standby and Reset Mode</i> table</li> </ul> </li> <li>• External Reset Characteristics               <ul style="list-style-type: none"> <li>– Number for tMIN_RST max limit updated</li> </ul> </li> <li>• TWI               <ul style="list-style-type: none"> <li>– Updated the <i>TWI - Specifications</i> table with typical numbers for tHD;STA, tSU;STA, tSU;STD and tBUF</li> <li>– Added <i>SDA Hold Time</i> table</li> </ul> </li> <li>• TEMPSENSE Characteristics               <ul style="list-style-type: none"> <li>– Added the <i>TEMPSENSE Characteristics</i> section</li> </ul> </li> <li>• UPDI               <ul style="list-style-type: none"> <li>– Updated the <i>UPDI Max. Bit Rates vs. VDD</i> table</li> </ul> </li> </ul> |



| .....continued   |  |
|------------------|--|
| Section          | Changes  |
| Package Drawings | Section <i>Package Marking Information</i> added |

### 36.2 Rev. B - 06/2020

| Section                             | Changes  |
|-------------------------------------|--|
| Entire Document                     | Removed the content of the Instruction Set Summary section. This section now refers to the external Instruction Set Manual instead.  |
| megaAVR® 0-series Overview          | <i>megaAVR</i> ® <i>Device Designations</i> figure updated   |
| Features                            | 48-Pin UQFN replaced by 48-Pin VQFN  |
| Pinout                              | 48-Pin UQFN replaced by 48-Pin VQFN  |
| I/O Multiplexing and Considerations | <i>Multiplexed Signals</i> table updated to replace 48-Pin UQFN with 48-Pin VQFN   |
| Electrical Characteristics          | <ul style="list-style-type: none"> <li>• <i>Power Dissipation and Junction Temperature vs. Temperature</i> table replaced UQFN48 with VQFN48 numbers</li> <li>• <i>Power Dissipation and Junction Temperature vs. Temperature</i> table added missing numbers for TQFP48</li> <li>• <i>Power Supply, Reference, and Input Range</i> table added <math>R_{INrow}</math></li> <li>• <i>UPDI Max. Bit Rates vs. VDD</i> table corrected <math>V_{DD}</math> condition for 0.9 Mbps</li> </ul>   |
| Ordering information                | <ul style="list-style-type: none"> <li>• Removed ordering codes for 48-Pin UQFN</li> <li>• Added ordering codes for 48-Pin VQFN</li> <li>• Added ordering codes for 32-Pin VQFN with we Wettable Flanks</li> <li>• Added ordering codes for 48-Pin VQFN with wettable flanks</li> <li>• <i>Product Identification System</i> figure updated</li> </ul>   |
| Package Drawings                    | <ul style="list-style-type: none"> <li>• Updated table <i>Drawing Numbers</i> to Microchip editorial standard</li> <li>• Removed 48-Pin UQFN package from <i>Drawing Numbers</i> table</li> <li>• Removed 48-Pin UQFN package drawing</li> <li>• Added 48-Pin VQFN package to <i>Drawing Numbers</i> table</li> <li>• Added 48-Pin VQFN package drawing</li> <li>• Added 32-Pin VQFN package with wettable flanks to <i>Drawing Numbers</i> table</li> <li>• Added 32-Pin VQFN package with wettable flanks drawing</li> <li>• Added 48-Pin VQFN package with wettable flanks to <i>Drawing Numbers</i> table</li> <li>• Added 48-Pin VQFN package with wettable flanks drawing</li> </ul> |

### 36.3 Rev.A - 01/2020

| Section                    | Changes   |
|----------------------------|---|
| Entire Document            | Change document structure from family and pin organized documents, to one document per data sheet: <ul style="list-style-type: none"> <li>• from:               <ul style="list-style-type: none"> <li>– megaAVR 0-series Family Data Sheet</li> <li>– ATmega808/1608/3208/4808 - 28-pin Data Sheet</li> <li>– ATmega808/1608/3208/4808 - 32-pin Data Sheet</li> <li>– ATmega809/1609/3209/4809 - 48-pin Data Sheet</li> </ul> </li> <li>• to:               <ul style="list-style-type: none"> <li>– ATmega808/809/1608/1609 Data Sheet</li> </ul> </li> </ul> |
| Electrical Characteristics | <ul style="list-style-type: none"> <li>• Minimum and maximum values added</li> <li>• Editorial updates</li> </ul>   |
| Typical Characteristics    | <ul style="list-style-type: none"> <li>• Added more graphs to the <i>Power Consumption</i> section</li> </ul>   |

### 36.4 Appendix - Obsolete Revision History

**Notes:** Due to document structure change from a family and pin organized documents, to one document per data sheet, the following document history is provided as reference.

- megaAVR 0-series Family Data Sheet (DS40002015C)
- ATmega808/1608/3208/4808 - 28-pin Data Sheet (DS40002018C)
- ATmega808/1608/3208/4808 - 32-pin Data Sheet (DS40002017C)
- ATmega809/1609/3209/4809 - 48-pin Data Sheet (DS40002016C)

#### 36.4.1 Obsolete Publication Rev.C - 08/2019

| Chapter                   | Changes  |
|---------------------------|--|
| Entire Document           | <ul style="list-style-type: none"> <li>• Editorial updates</li> </ul>  |
| Features                  | <ul style="list-style-type: none"> <li>• Added industrial temperature range -40°C to +85°C</li> </ul>  |
| Pinout                    | <ul style="list-style-type: none"> <li>• Added note about QFN center pad attachment</li> </ul>   |
| Ordering Information      | <ul style="list-style-type: none"> <li>• Added table of available product numbers</li> <li>• Updated Product Information System figure</li> </ul>  |
| Package Drawings          | <ul style="list-style-type: none"> <li>• Update TQFP package drawing</li> </ul>  |
| Fuses (FUSE)              | <ul style="list-style-type: none"> <li>• Added default fuse values</li> </ul>  |
| megaAVR 0-series Overview | <ul style="list-style-type: none"> <li>• Updated megaAVR 0-series Overview figure</li> <li>• Added ordering code for industrial temperature range in megaAVR Device Designations figure</li> </ul> |

### 36.4.2 Obsolete Publication Rev.B - 03/2019

| Chapter                    | Changes   |
|----------------------------|---|
| Entire Document            | <ul style="list-style-type: none"> <li>• Added ATmega809/ATmega1609</li> <li>• Updated <i>Electrical Characteristics</i> section and <i>Typical Characteristics</i> section</li> <li>• Added package drawing for UQFN</li> <li>• Updated package drawing for TQFP</li> </ul>  |
| Entire Document            | <ul style="list-style-type: none"> <li>• Editorial updates</li> </ul>   |
| Features                   | <ul style="list-style-type: none"> <li>• Added industrial temperature range -40°C to +85°C</li> </ul>   |
| Ordering Information       | <ul style="list-style-type: none"> <li>• Added table of available product numbers</li> <li>• Updated Product Information System figure</li> </ul>   |
| Entire Document            | <ul style="list-style-type: none"> <li>• Added support for ATmega808/809/1608/1609</li> <li>• Added support for 40-pin PDIP</li> <li>• Editorial updates</li> <li>• Renamed document type from <i>manual</i> to <i>family data sheet</i></li> </ul>   |
| Features                   | <ul style="list-style-type: none"> <li>• Updated data retention information</li> <li>• Extended speed grade information</li> </ul>  |
| Memories                   | <ul style="list-style-type: none"> <li>• Added oscillator calibration (OSCCALn<sub>nxn</sub>) registers</li> <li>• SIGROW <ul style="list-style-type: none"> <li>– Updated description to clarify that information is stored in fuse bytes, not in volatile registers.</li> </ul> </li> <li>• FUSE <ul style="list-style-type: none"> <li>– Clarifying that reserved bits within a fuse byte must be written to '0'</li> <li>– Removed non-recommended BOD levels in BODCFG</li> <li>– Updating access for LOCKBIT from <i>R/W</i> to <i>R</i></li> <li>– Removed misleading reset values</li> </ul> </li> <li>• Updated <i>Memory Section Access from CPU and UPDI on Locked Device</i> section</li> </ul> |
| AVR_CPU                    | <ul style="list-style-type: none"> <li>• Removed redundant information</li> </ul>   |
| CLKCTRL - Clock Controller | <ul style="list-style-type: none"> <li>• Added OSC20MCALIBA register</li> </ul>   |
| EVSYS - Event System       | <ul style="list-style-type: none"> <li>• STROBE/STROBEA renamed to STROBEx</li> <li>• Event Generators <ul style="list-style-type: none"> <li>– Added Window Compare Match for ADC</li> <li>– Updated TCB event generator description</li> </ul> </li> <li>• Event Users <ul style="list-style-type: none"> <li>– Updated table</li> </ul> </li> <li>• STROBEn <ul style="list-style-type: none"> <li>– Updated access from <i>R/W</i> to <i>W</i></li> </ul> </li> <li>• Updated generator names in CHANNEL</li> <li>• Updated table in USER</li> </ul>  |
| PORTMUX - Port Multiplexer | <ul style="list-style-type: none"> <li>• Added explicit information for EVSYSROUTEA register</li> </ul>   |
| BOD - Brown-out Detect     | <ul style="list-style-type: none"> <li>• Removed non-recommended BOD levels from CTRLB</li> </ul>   |

| .....continued  |   |
|---|---|
| Chapter   | Changes   |
| TCA - 16-bit Timer/Counter Type A                                       | <ul style="list-style-type: none"> <li>• Single Slope PWM Generation               <ul style="list-style-type: none"> <li>– Revised figure and description</li> </ul> </li> <li>• Dual Slope PWM               <ul style="list-style-type: none"> <li>– Revised figure and description</li> </ul> </li> <li>• Events               <ul style="list-style-type: none"> <li>– Revised description and added table</li> </ul> </li> </ul>                |
| TCB - 16-bit Timer/Counter Type B                                       | <ul style="list-style-type: none"> <li>• Updated block diagram for clock sources</li> <li>• Mode figures legend use improved</li> <li>• Input Capture Pulse-Width Measurement mode figure corrected</li> <li>• 8-bit PWM mode pseudo-code replaced by figure</li> <li>• Added output configuration table</li> </ul>   |
| RTC - Real-Time Counter   | <ul style="list-style-type: none"> <li>• Clarified that first PIT interrupt and RTC count tick will be unknown</li> <li>• Added <i>Debug Operation</i> section</li> <li>• Updated reset values for PER and CMP register</li> <li>• Updated access for PITINTFLAGS register</li> </ul>   |
| USART - Universal Synchronous and Asynchronous Receiver and Transmitter | <ul style="list-style-type: none"> <li>• Structural changes</li> <li>• General content improvements</li> </ul>  |
| SPI - Serial Peripheral Interface                                       | <ul style="list-style-type: none"> <li>• Added INTCTRL register</li> </ul>  |
| TWI - Two-Wire Interface  | <ul style="list-style-type: none"> <li>• Removed misleading internal information from <i>Overview</i> section</li> <li>• Cleaned up Dual Control information</li> <li>• Clarified APIEN description in SCTRLA</li> </ul>  |
| CCL - Configurable Custom Logic   | <ul style="list-style-type: none"> <li>• Register summary updated: Number n of LUTs and according registers (LUTnCTRLA, LUTnCTRLB, LUTnCTRLC, TRUTHn)</li> <li>• Update of terms and descriptions:               <ul style="list-style-type: none"> <li>– Block Diagram section</li> <li>– CCL Input Selection MUX section</li> <li>– Sequencer Logic</li> <li>– Events</li> <li>– Filter</li> <li>– Association LUT-Sequencer</li> </ul> </li> </ul> |
| ADC - Analog-to-Digital Converter                                       | <ul style="list-style-type: none"> <li>• Updated ADC Timing Diagrams               <ul style="list-style-type: none"> <li>– Single Conversion</li> <li>– Free-Running Conversion</li> </ul> </li> <li>• Added information in the <i>Events</i> section</li> </ul>   |
| UPDI - Unified Program and Debug Interface                              | <ul style="list-style-type: none"> <li>• General content improvements</li> <li>• Updated Access for UROWWRITE in ASI_KEY_STATUS register</li> </ul>   |

### 36.4.3 Obsolete Publication Rev.A - 02/2018

| Chapter         | Changes         |
|-----------------|-----------------|
| Entire Document | Initial Release |

## The Microchip Website

---

Microchip provides online support via our website at [www.microchip.com/](http://www.microchip.com/). This website is used to make files and information easily available to customers. Some of the content available includes:

- **Product Support** – Data sheets and errata, application notes and sample programs, design resources, user's guides and hardware support documents, latest software releases and archived software
- **General Technical Support** – Frequently Asked Questions (FAQs), technical support requests, online discussion groups, Microchip design partner program member listing
- **Business of Microchip** – Product selector and ordering guides, latest Microchip press releases, listing of seminars and events, listings of Microchip sales offices, distributors and factory representatives

## Product Change Notification Service

---

Microchip's product change notification service helps keep customers current on Microchip products. Subscribers will receive email notification whenever there are changes, updates, revisions or errata related to a specified product family or development tool of interest.

To register, go to [www.microchip.com/pcn](http://www.microchip.com/pcn) and follow the registration instructions.

## Customer Support

---

Users of Microchip products can receive assistance through several channels:

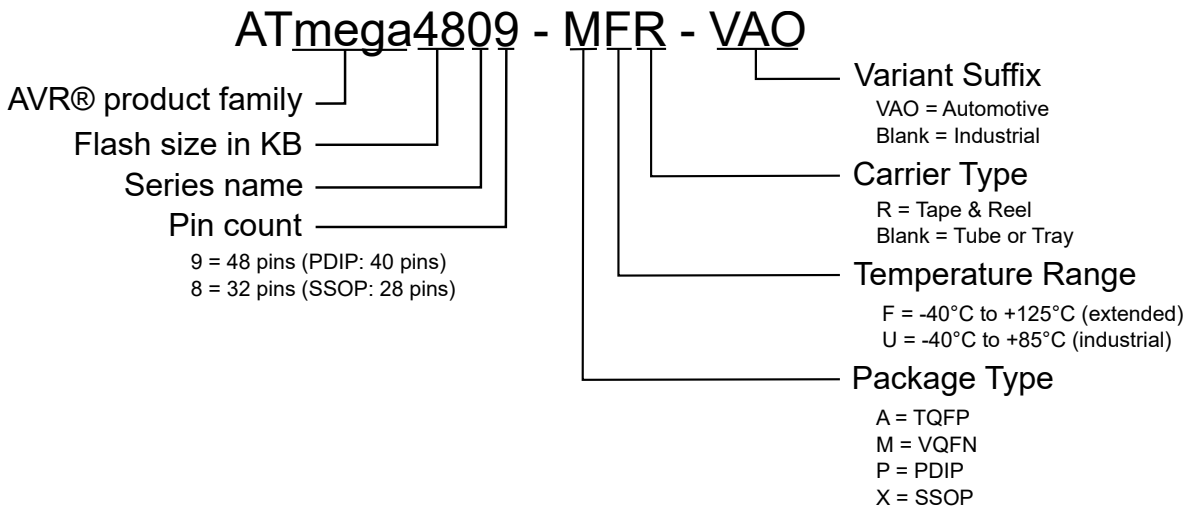
- Distributor or Representative
- Local Sales Office
- Embedded Solutions Engineer (ESE)
- Technical Support

Customers should contact their distributor, representative or ESE for support. Local sales offices are also available to help customers. A listing of sales offices and locations is included in this document.

Technical support is available through the website at: [www.microchip.com/support](http://www.microchip.com/support)

## Product Identification System

To order or obtain information, e.g., on pricing or delivery, refer to the factory or the listed sales office.



**Note:** Tape and Reel identifier only appears in the catalog part number description. This identifier is used for ordering purposes. Check with your Microchip Sales Office for package availability with the Tape and Reel option.

**Note:** The VAO variants have been designed, manufactured, tested, and qualified per AEC-Q100 requirements for automotive applications. These products may use a different package than non-VAO parts and can have additional specifications in their Electrical Characteristics.

## Microchip Devices Code Protection Feature

Note the following details of the code protection feature on Microchip devices:

- Microchip products meet the specifications contained in their particular Microchip Data Sheet.
- Microchip believes that its family of products is secure when used in the intended manner and under normal conditions.
- There are dishonest and possibly illegal methods being used in attempts to breach the code protection features of the Microchip devices. We believe that these methods require using the Microchip products in a manner outside the operating specifications contained in Microchip's Data Sheets. Attempts to breach these code protection features, most likely, cannot be accomplished without violating Microchip's intellectual property rights.
- Microchip is willing to work with any customer who is concerned about the integrity of its code.
- Neither Microchip nor any other semiconductor manufacturer can guarantee the security of its code. Code protection does not mean that we are guaranteeing the product is "unbreakable." Code protection is constantly evolving. We at Microchip are committed to continuously improving the code protection features of our products. Attempts to break Microchip's code protection feature may be a violation of the Digital Millennium Copyright Act. If such acts allow unauthorized access to your software or other copyrighted work, you may have a right to sue for relief under that Act.

## Legal Notice

Information contained in this publication is provided for the sole purpose of designing with and using Microchip products. Information regarding device applications and the like is provided only for your convenience and may be superseded by updates. It is your responsibility to ensure that your application meets with your specifications.

THIS INFORMATION IS PROVIDED BY MICROCHIP "AS IS". MICROCHIP MAKES NO REPRESENTATIONS OR WARRANTIES OF ANY KIND WHETHER EXPRESS OR IMPLIED, WRITTEN OR ORAL, STATUTORY OR OTHERWISE, RELATED TO THE INFORMATION INCLUDING BUT NOT LIMITED TO ANY IMPLIED

WARRANTIES OF NON-INFRINGEMENT, MERCHANTABILITY, AND FITNESS FOR A PARTICULAR PURPOSE OR WARRANTIES RELATED TO ITS CONDITION, QUALITY, OR PERFORMANCE.

IN NO EVENT WILL MICROCHIP BE LIABLE FOR ANY INDIRECT, SPECIAL, PUNITIVE, INCIDENTAL OR CONSEQUENTIAL LOSS, DAMAGE, COST OR EXPENSE OF ANY KIND WHATSOEVER RELATED TO THE INFORMATION OR ITS USE, HOWEVER CAUSED, EVEN IF MICROCHIP HAS BEEN ADVISED OF THE POSSIBILITY OR THE DAMAGES ARE FORESEEABLE. TO THE FULLEST EXTENT ALLOWED BY LAW, MICROCHIP'S TOTAL LIABILITY ON ALL CLAIMS IN ANY WAY RELATED TO THE INFORMATION OR ITS USE WILL NOT EXCEED THE AMOUNT OF FEES, IF ANY, THAT YOU HAVE PAID DIRECTLY TO MICROCHIP FOR THE INFORMATION. Use of Microchip devices in life support and/or safety applications is entirely at the buyer's risk, and the buyer agrees to defend, indemnify and hold harmless Microchip from any and all damages, claims, suits, or expenses resulting from such use. No licenses are conveyed, implicitly or otherwise, under any Microchip intellectual property rights unless otherwise stated.

## Trademarks

---

The Microchip name and logo, the Microchip logo, Adaptec, AnyRate, AVR, AVR logo, AVR Freaks, BesTime, BitCloud, chipKIT, chipKIT logo, CryptoMemory, CryptoRF, dsPIC, FlashFlex, flexPWR, HELDO, IGLOO, JukeBlox, KeeLoq, Klear, LANCheck, LinkMD, maXStylus, maXTouch, MediaLB, megaAVR, Microsemi, Microsemi logo, MOST, MOST logo, MPLAB, OptoLyzer, PackeTime, PIC, picoPower, PICSTART, PIC32 logo, PolarFire, Prochip Designer, QTouch, SAM-BA, SenGenuity, SpyNIC, SST, SST Logo, SuperFlash, Symmetricom, SyncServer, Tachyon, TimeSource, tinyAVR, UNI/O, Vectron, and XMEGA are registered trademarks of Microchip Technology Incorporated in the U.S.A. and other countries.

AgileSwitch, APT, ClockWorks, The Embedded Control Solutions Company, EtherSynch, FlashTec, Hyper Speed Control, HyperLight Load, IntelliMOS, Libero, motorBench, mTouch, Powermite 3, Precision Edge, ProASIC, ProASIC Plus, ProASIC Plus logo, Quiet-Wire, SmartFusion, SyncWorld, Temux, TimeCesium, TimeHub, TimePictra, TimeProvider, WinPath, and ZL are registered trademarks of Microchip Technology Incorporated in the U.S.A.

Adjacent Key Suppression, AKS, Analog-for-the-Digital Age, Any Capacitor, AnyIn, AnyOut, Augmented Switching, BlueSky, BodyCom, CodeGuard, CryptoAuthentication, CryptoAutomotive, CryptoCompanion, CryptoController, dsPICDEM, dsPICDEM.net, Dynamic Average Matching, DAM, ECAN, Espresso T1S, EtherGREEN, IdealBridge, In-Circuit Serial Programming, ICSP, INICnet, Intelligent Paralleling, Inter-Chip Connectivity, JitterBlocker, maxCrypto, maxView, memBrain, Mindi, MiWi, MPASM, MPF, MPLAB Certified logo, MPLIB, MPLINK, MultiTRAK, NetDetach, Omniscient Code Generation, PICDEM, PICDEM.net, PICKit, PICtail, PowerSmart, PureSilicon, QMatrix, REAL ICE, Ripple Blocker, RTAX, RTG4, SAM-ICE, Serial Quad I/O, simpleMAP, SimpliPHY, SmartBuffer, SMART-I.S., storClad, SQI, SuperSwitcher, SuperSwitcher II, Switchtec, SynchroPHY, Total Endurance, TSHARC, USBCheck, VariSense, VectorBlox, VeriPHY, ViewSpan, WiperLock, XpressConnect, and ZENA are trademarks of Microchip Technology Incorporated in the U.S.A. and other countries.

SQTP is a service mark of Microchip Technology Incorporated in the U.S.A.

The Adaptec logo, Frequency on Demand, Silicon Storage Technology, and Symmcom are registered trademarks of Microchip Technology Inc. in other countries.

GestIC is a registered trademark of Microchip Technology Germany II GmbH & Co. KG, a subsidiary of Microchip Technology Inc., in other countries.

All other trademarks mentioned herein are property of their respective companies.

© 2021, Microchip Technology Incorporated, Printed in the U.S.A., All Rights Reserved.

ISBN: 978-1-5224-7768-6

## Quality Management System

---

For information regarding Microchip's Quality Management Systems, please visit [www.microchip.com/quality](http://www.microchip.com/quality).

## Worldwide Sales and Service

| AMERICAS  | ASIA/PACIFIC  | ASIA/PACIFIC   | EUROPE   |
|---|---|--|--|
| <p><b>Corporate Office</b><br/>2355 West Chandler Blvd.<br/>Chandler, AZ 85224-6199<br/>Tel: 480-792-7200<br/>Tel: 480-792-7277<br/>Technical Support:<br/><a href="http://www.microchip.com/support">www.microchip.com/support</a><br/>Web Address:<br/><a href="http://www.microchip.com">www.microchip.com</a></p> <p><b>Atlanta</b><br/>Duluth, GA<br/>Tel: 678-957-9614<br/>Fax: 678-957-1455</p> <p><b>Austin, TX</b><br/>Tel: 512-257-3370</p> <p><b>Boston</b><br/>Westborough, MA<br/>Tel: 774-760-0087<br/>Fax: 774-760-0088</p> <p><b>Chicago</b><br/>Itasca, IL<br/>Tel: 630-285-0071<br/>Fax: 630-285-0075</p> <p><b>Dallas</b><br/>Addison, TX<br/>Tel: 972-818-7423<br/>Fax: 972-818-2924</p> <p><b>Detroit</b><br/>Novi, MI<br/>Tel: 248-848-4000</p> <p><b>Houston, TX</b><br/>Tel: 281-894-5983</p> <p><b>Indianapolis</b><br/>Noblesville, IN<br/>Tel: 317-773-8323<br/>Fax: 317-773-5453<br/>Tel: 317-536-2380</p> <p><b>Los Angeles</b><br/>Mission Viejo, CA<br/>Tel: 949-462-9523<br/>Fax: 949-462-9608<br/>Tel: 951-273-7800</p> <p><b>Raleigh, NC</b><br/>Tel: 919-844-7510</p> <p><b>New York, NY</b><br/>Tel: 631-435-6000</p> <p><b>San Jose, CA</b><br/>Tel: 408-735-9110<br/>Tel: 408-436-4270</p> <p><b>Canada - Toronto</b><br/>Tel: 905-695-1980<br/>Fax: 905-695-2078</p> | <p><b>Australia - Sydney</b><br/>Tel: 61-2-9868-6733</p> <p><b>China - Beijing</b><br/>Tel: 86-10-8569-7000</p> <p><b>China - Chengdu</b><br/>Tel: 86-28-8665-5511</p> <p><b>China - Chongqing</b><br/>Tel: 86-23-8980-9588</p> <p><b>China - Dongguan</b><br/>Tel: 86-769-8702-9880</p> <p><b>China - Guangzhou</b><br/>Tel: 86-20-8755-8029</p> <p><b>China - Hangzhou</b><br/>Tel: 86-571-8792-8115</p> <p><b>China - Hong Kong SAR</b><br/>Tel: 852-2943-5100</p> <p><b>China - Nanjing</b><br/>Tel: 86-25-8473-2460</p> <p><b>China - Qingdao</b><br/>Tel: 86-532-8502-7355</p> <p><b>China - Shanghai</b><br/>Tel: 86-21-3326-8000</p> <p><b>China - Shenyang</b><br/>Tel: 86-24-2334-2829</p> <p><b>China - Shenzhen</b><br/>Tel: 86-755-8864-2200</p> <p><b>China - Suzhou</b><br/>Tel: 86-186-6233-1526</p> <p><b>China - Wuhan</b><br/>Tel: 86-27-5980-5300</p> <p><b>China - Xian</b><br/>Tel: 86-29-8833-7252</p> <p><b>China - Xiamen</b><br/>Tel: 86-592-2388138</p> <p><b>China - Zhuhai</b><br/>Tel: 86-756-3210040</p> | <p><b>India - Bangalore</b><br/>Tel: 91-80-3090-4444</p> <p><b>India - New Delhi</b><br/>Tel: 91-11-4160-8631</p> <p><b>India - Pune</b><br/>Tel: 91-20-4121-0141</p> <p><b>Japan - Osaka</b><br/>Tel: 81-6-6152-7160</p> <p><b>Japan - Tokyo</b><br/>Tel: 81-3-6880-3770</p> <p><b>Korea - Daegu</b><br/>Tel: 82-53-744-4301</p> <p><b>Korea - Seoul</b><br/>Tel: 82-2-554-7200</p> <p><b>Malaysia - Kuala Lumpur</b><br/>Tel: 60-3-7651-7906</p> <p><b>Malaysia - Penang</b><br/>Tel: 60-4-227-8870</p> <p><b>Philippines - Manila</b><br/>Tel: 63-2-634-9065</p> <p><b>Singapore</b><br/>Tel: 65-6334-8870</p> <p><b>Taiwan - Hsin Chu</b><br/>Tel: 886-3-577-8366</p> <p><b>Taiwan - Kaohsiung</b><br/>Tel: 886-7-213-7830</p> <p><b>Taiwan - Taipei</b><br/>Tel: 886-2-2508-8600</p> <p><b>Thailand - Bangkok</b><br/>Tel: 66-2-694-1351</p> <p><b>Vietnam - Ho Chi Minh</b><br/>Tel: 84-28-5448-2100</p> | <p><b>Austria - Wels</b><br/>Tel: 43-7242-2244-39<br/>Fax: 43-7242-2244-393</p> <p><b>Denmark - Copenhagen</b><br/>Tel: 45-4485-5910<br/>Fax: 45-4485-2829</p> <p><b>Finland - Espoo</b><br/>Tel: 358-9-4520-820</p> <p><b>France - Paris</b><br/>Tel: 33-1-69-53-63-20<br/>Fax: 33-1-69-30-90-79</p> <p><b>Germany - Garching</b><br/>Tel: 49-8931-9700</p> <p><b>Germany - Haan</b><br/>Tel: 49-2129-3766400</p> <p><b>Germany - Heilbronn</b><br/>Tel: 49-7131-72400</p> <p><b>Germany - Karlsruhe</b><br/>Tel: 49-721-625370</p> <p><b>Germany - Munich</b><br/>Tel: 49-89-627-144-0<br/>Fax: 49-89-627-144-44</p> <p><b>Germany - Rosenheim</b><br/>Tel: 49-8031-354-560</p> <p><b>Israel - Ra'anana</b><br/>Tel: 972-9-744-7705</p> <p><b>Italy - Milan</b><br/>Tel: 39-0331-742611<br/>Fax: 39-0331-466781</p> <p><b>Italy - Padova</b><br/>Tel: 39-049-7625286</p> <p><b>Netherlands - Druenen</b><br/>Tel: 31-416-690399<br/>Fax: 31-416-690340</p> <p><b>Norway - Trondheim</b><br/>Tel: 47-72884388</p> <p><b>Poland - Warsaw</b><br/>Tel: 48-22-3325737</p> <p><b>Romania - Bucharest</b><br/>Tel: 40-21-407-87-50</p> <p><b>Spain - Madrid</b><br/>Tel: 34-91-708-08-90<br/>Fax: 34-91-708-08-91</p> <p><b>Sweden - Gothenberg</b><br/>Tel: 46-31-704-60-40</p> <p><b>Sweden - Stockholm</b><br/>Tel: 46-8-5090-4654</p> <p><b>UK - Wokingham</b><br/>Tel: 44-118-921-5800<br/>Fax: 44-118-921-5820</p> |