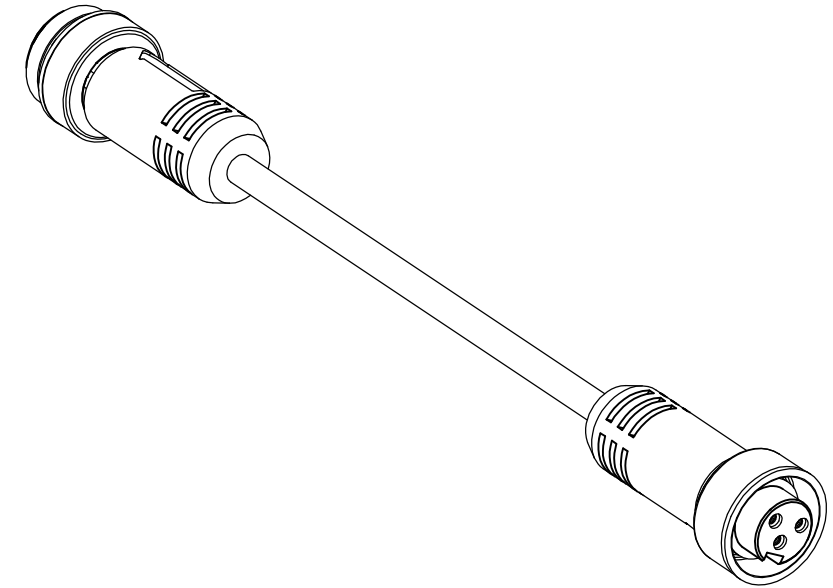
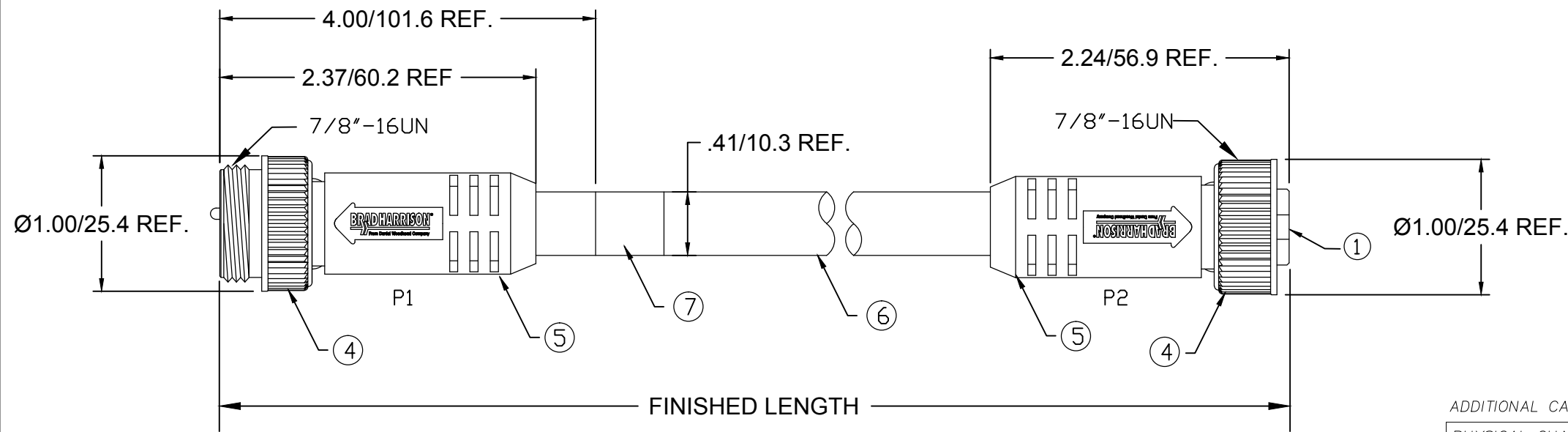


MATERIAL NUMBER	OLD PART NUMBER	FINISHED LENGTH
1300108297	113030B35M005	1.64' +1.75" -0 [0.5M +44.5 -0]
1300108300	113030B35M020	6.56' +3.50" -0 [2.0M +88.9 -0]
1300108308	113030B35M100	32.80' +12.50" -0 [10.0M +317.5 -0]



CABLE TYPE
24 AWG PUR-TEAL

113030B35MXXX

LENGTH
M005 - 0.5M
M050 - 5M
M250 - 25M

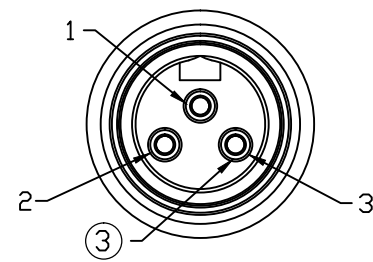
WIRING DIAGRAM

P1		P2
1	GREEN-YELLOW	1
2	BLUE	2
3	BROWN	3

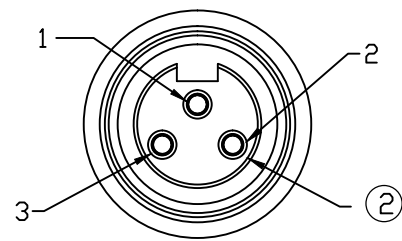
ADDITIONAL CABLE INFORMATION

PHYSICAL CHARACTERISTICS:	
CONDUCTOR SIZE	16AWG 3P (81/0.15mm) BARE COPPER
INSULATION MATERIAL	TPE
SHIELD/BRAID	NONE
JACKET MATERIAL	PUR (GRAY)
CONDUCTOR	BROWN, BLUE, GREEN-YELLOW
TAPE	NONE

CABLE:	
TEMPERATURE RATING (STORAGE)	-40 / +80°C
TEMPERATURE RATING (OPERATION)	-20 / +50°C
WELD SLAG RESISTANCE	YES, S-300 MOLEX TEST
FREE SUBSTANCE'S	FCKW, SILICONE, AND PB
FIRE PERFORMANCE	IEC60332-1, UL FLAME TEST, CSA FT-1
OIL RESISTANCE	ISO6722, UL758/2556



MALE FACE VIEW



FEMALE FACE VIEW

ITEM	COMPONENT	MATERIAL	FINISH
1	INSERT	PVC	YELLOW
2	CONTACT SOCKET	COPPER ALLOY	GOLD OVER NICKEL
3	CONTACT PIN	COPPER ALLOY	GOLD OVER NICKEL
4	COUPLING NUT	ZINC DIE CAST	BLACK E-COATED
5	OVERMOLD	PVC	YELLOW
6	CABLE - 3X15MM ²	PUR	GRAY
7	LABEL	VINYL	BLACK/YELLOW

RELEASED EC NO: IPG2015-1910 DRWN: MZIELINS 2015/05/11 CHKD: BARDEN 2015/06/04 APPR: BWOODMAN 2015/06/03	DESCRIPTION REV	QUALITY SYMBOLS ▽=0 ◻=0	GENERAL TOLERANCES (UNLESS SPECIFIED) <table border="1"> <thead> <tr> <th></th> <th>mm</th> <th>INCH</th> </tr> </thead> <tbody> <tr> <td>4 PLACES</td> <td>±---</td> <td>±---</td> </tr> <tr> <td>3 PLACES</td> <td>±---</td> <td>±.005</td> </tr> <tr> <td>2 PLACES</td> <td>±0.05</td> <td>±.010</td> </tr> <tr> <td>1 PLACE</td> <td>±0.10</td> <td>±.020</td> </tr> </tbody> </table>		mm	INCH	4 PLACES	±---	±---	3 PLACES	±---	±.005	2 PLACES	±0.05	±.010	1 PLACE	±0.10	±.020	DIMENSION STYLE IN/MM	SCALE NTS	DESIGN UNITS INCH	THIRD ANGLE PROJECTION
			mm	INCH																		
		4 PLACES	±---	±---																		
		3 PLACES	±---	±.005																		
2 PLACES	±0.05	±.010																				
1 PLACE	±0.10	±.020																				
DRAFT WHERE APPLICABLE MUST REMAIN WITHIN DIMENSIONS			DRAWN BY DATE MZIELINS 2015/05/11	TITLE MINI-CHANGE 3P M/MFE #16-3 PUR WSOR CABLE																		
APPROVED BY DATE BWOODMAN 2015/06/03			MATERIAL NO. SEE MATRIX			MOLEX INCORPORATED																
SIZE B			DOCUMENT NO. SD-120108-086			SHEET NO. 1 OF 1																

THIS DRAWING CONTAINS INFORMATION THAT IS PROPRIETARY TO MOLEX INCORPORATED AND SHOULD NOT BE USED WITHOUT WRITTEN PERMISSION