

Manual On/ Auto OFF Passive Infrared Wall Switch Sensor

WALL SWITCH OCCUPANCY SENSORS

TITLE
24
COMPLIANCE



LISTED

PROJECT INFORMATION

Project Name _____

Catalog No. _____

Date _____



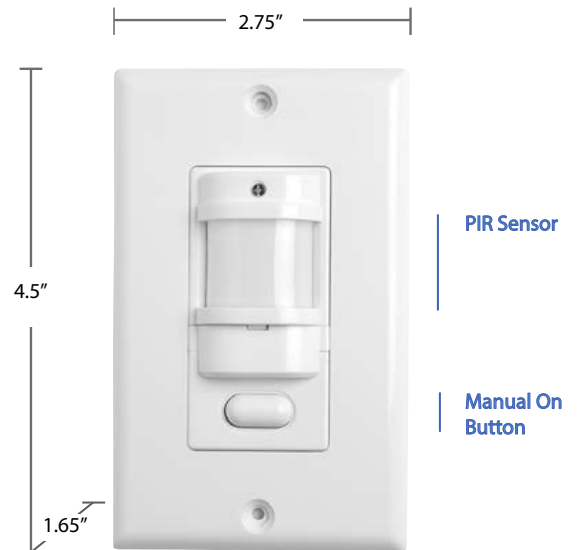
IWSZPM

The IWSZPM is a Title 24 compliant, manual-on, passive infrared (PIR) wall switch vacancy sensor that provides excellent energy savings and reliable motion detection. The sensor's low-profile casing design provides the perfect wall switch for residential areas, such as bathrooms, garages, laundry rooms, utility rooms, and dining rooms.

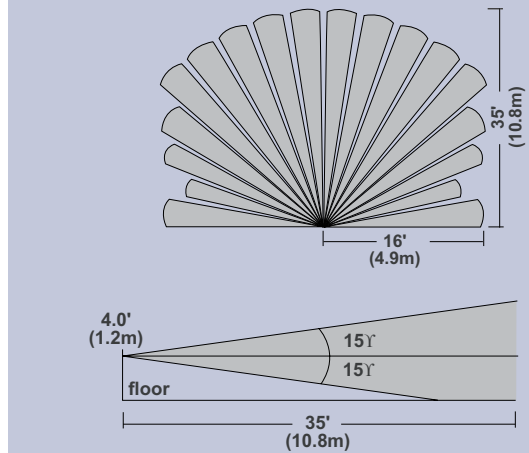
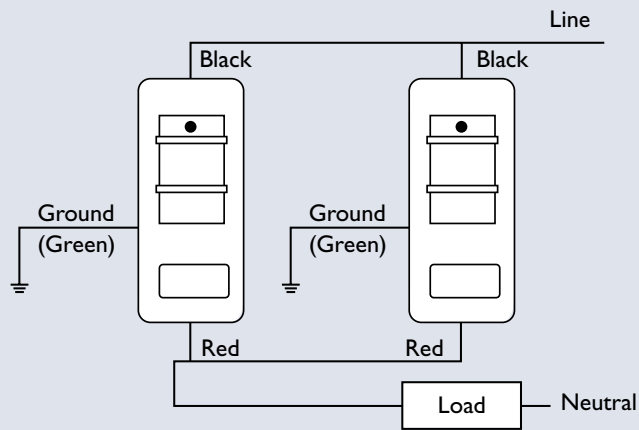
The IWSZPM's manual-on/automatic-off operation meets Title 24 guidelines for residential lighting, which require a person to manually turn on lighting and a system to automatically turn off lighting during vacancy.

PRODUCT FEATURES

- Zero Arc Point Switching
- No minimum load requirement
- Adjustable time delay and sensitivity
- Walk test indicator
- Dual 120/277 VAC operation
- UL and cUL listed
- Title 24 compliant
- Five-year limited warranty
- 120-277 Vac



HUBBELL
Control Solutions



General Specifications

Timer Timeout	Fully adjustable from 30 seconds to 30 minutes
Sensitivity	Fully adjustable from 20% to 100%
Passive Infrared	Multi-segment IR Fresnel lens
Photocell	Adjustable ambient light override ranges from approximately 5 foot-candles (50 lux) to 200 foot-candles (2000 lux)
Coverage	900 sq. ft., 180 degrees
Power Requirements	120 or 277VAC, 60 Hz
Electrical Ratings	120VAC: 800W Incandescent, 1000W Fluorescent, 1/6 HP 277VAC: 1800W Fluorescent, 1/6 HP
Load Requirements	No minimum load
Operating environment	Indoor use only Operating temperature: 32° to 122° F (0° to 50° C) 0% to 95% relative humidity, non-condensing
Construction	Housing – high-impact, injection-molded plastic Color-coded leads are 6" long
Dimensions	4.5" H x 2.75" W x 1.625" D
Weight	2.9 oz
Color	White
Mounting	Single gang NEMA style switch box, decorator style wall plate
Certifications	UL and cUL Listed
Warranty	Five-year limited

Ordering Information

IWSZP	M	
MODEL	CONTROL	COLOR
IWSZP	M Manual On/Auto Off	W White I Ivory



HUBBELL
Control Solutions

9601 Dessau Road | Building One | Austin, Texas 78754 | 512-450-1100 | 512-450-1215 fax | www.hubbell-automation.com

1107A 2.3.2016