



MINI-5VDIM

**0.01% Super Accurate
Dimmable Mini Volt Meter
5V DC Powered
41mA Consumption
3 1/2 Digit 0.276"(7mm) LED**

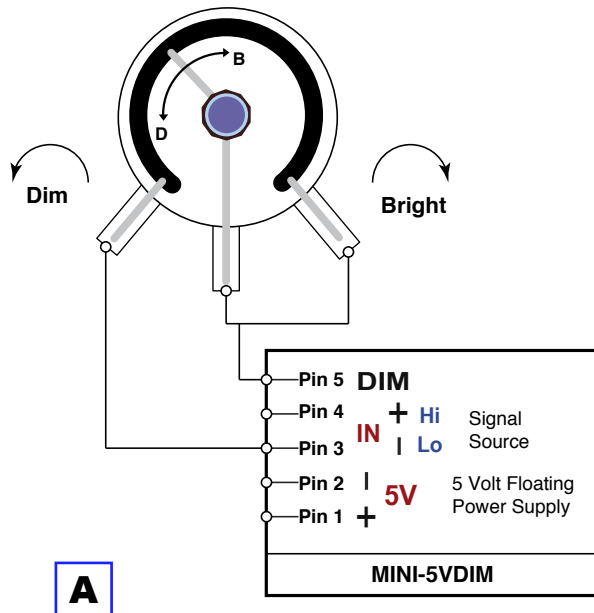
General Features

The Texmate MINI-5VDIM Mini-Meter™ is one of the world's smallest autozeroed, digital panel meters.

It is offered in ranges of 200mV, 2V, 20V, and 200V full scale. The MINI-5VDIM is designed for OEM's in the medical and scientific instrument field where small size and exceptional performance are important.

This meter, although small, is very advanced and uses all surface mount technology. The brightness of the LEDs is adjustable.

External Dimming Connections



Specifications

- Zero:**..... Autozero
- Internal Brightness:** .. The brightness adjustment is on the upper side and is marked "H". Use only insulated screwdriver for adjustment.
- External Brightness:** Uses a 1KΩ pot as shown in the illustration A. Up to 25 meters can be used with a single 1 KΩ pot.
- Sample Rate:**..... 2.5/second
- Span:**..... Right side meter adjustment.
- Connection:**..... Meter is supplied with Screw Terminal type connector.
- Input Resistance:** 0.2/2V 100GΩ, 20/200V 1MΩ
- Accuracy:**..... 0.01% of reading ± 1 count.
- Warm Up Time:**..... 2 minutes
- Display:**..... 0.276" (7mm), Red, Green or Blue LED, ±1999 counts.
- Over Range:**..... Blank last three digits
- Decimal Point:** User selectable
- Power Supply:** Regulated 5VDC ±5% @ 41mA
- Operating Temperature:** -10 to 60 °C
- Temperature Coefficient:** ±100ppm / °C
- Storage Temperature:** .. -20 to 70 °C
- Relative Humidity:** 95% (non-condensing)
- Case Dimensions:** 1.38"Wx0.5"Hx1.77"D (35x12.7x45mm)
Front Bezel 1.46"x0.59" (37x15mm)
Panel cutout 1.38"x0.5" (35x12.7mm)
- Weight:** 0.67 oz (19gms)

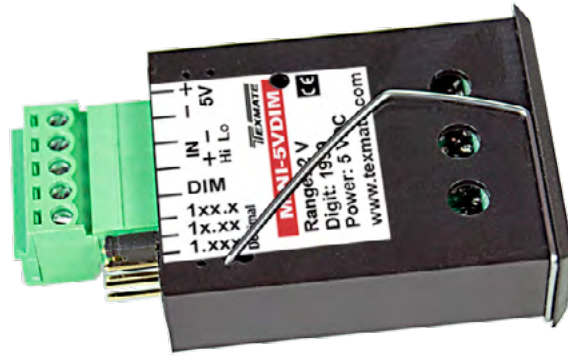
MINI Series, mini size and mighty performance

MINI-5VDIM..... 3.5 digit Red LED, 5VDC Power, 2/20/200 VDC, Dimmable
MINI-CL4-20..... 3.5 digit Red LED, Loop Powered, 4-20mA input (1000)

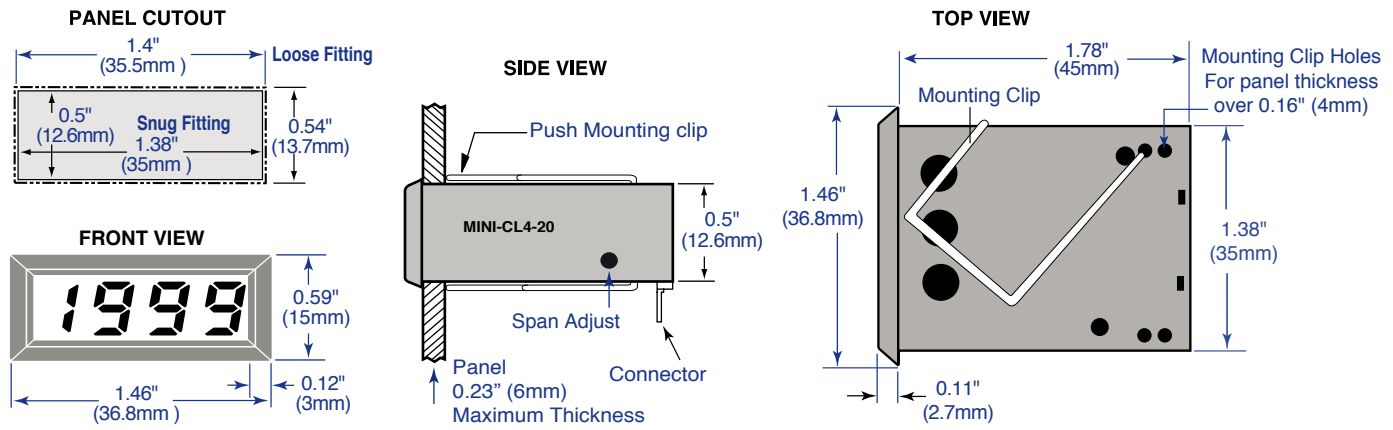
Pin Descriptions

Pin 1 = +5VDC
 Pin 2 = Ground
 Pin 3 = Signal LOW
 Pin 4 = Signal HIGH
 Pin 5 = DIM (External Dimming
 pot between Pin5 &3)

Header Pin for Decimal Point
 Decimal Point 1XX.X
 Decimal Point 1X.XX
 Decimal Point 1.XXX



Case Dimensions And Mounting Instructions



Ordering Information

Standard Options for this Model Number

Part Number	Description	List
-------------	-------------	------

► BASIC MODEL NUMBER

MINI-5VDIM.....3.5 digit Red LED, 5VDC Power, 2/20/200 VDC

► SPECIAL OPTIONS (Specify Inputs or Outputs & Req. Reading)

ZRMINI200V... 200 VDC Range change for MINI-5VDIM.

ZRMINI20V... 20 VDC Range change for MINI-5VDIM.

Many other options and accessories are available. Visit www.texmate.com for more details.

WARRANTY

Texmate warrants that its products are free from defects in material and workmanship under normal use and service for a period of one year from date of shipment. Texmate's obligations under this warranty are limited to replacement or repair, at its option, at its factory, of any of the products which shall, within the applicable period after shipment, be returned to Texmate's facility, transportation charges pre-paid, and which are, after examination, disclosed to the satisfaction of Texmate to be thus defective. The warranty shall not apply to any equipment which shall have been repaired or altered, except by Texmate, or which shall have been subjected to misuse, negligence, or accident. In no case shall Texmate's liability exceed the original purchase price. The aforementioned provisions do not extend the original warranty period of any product which has been either repaired or replaced by Texmate.

USER'S RESPONSIBILITY

We are pleased to offer suggestions on the use of our various products either by way of printed matter or through direct contact with our sales/application engineering staff. However, since we have no control over the use of our products once they are shipped, **NO WARRANTY WHETHER OF MERCHANTABILITY, FITNESS FOR PURPOSE, OR OTHERWISE** is made beyond the repair, replacement, or refund of purchase price at the sole discretion of Texmate. Users shall determine the suitability of the product for the intended application before using, and the users assume all risk and liability whatsoever in connection therewith, regardless of any of our suggestions or statements as to application or construction. In no event shall Texmate's liability, in law or otherwise, be in excess of the purchase price of the product.

Texmate cannot assume responsibility for any circuitry described. No circuit patent or software licenses are implied. Texmate reserves the right to change circuitry, operating software, specifications, and prices without notice at any time.



1934 Kellogg Ave., Carlsbad, CA 92008
 Tel: 1-760-598-9899 • 1-800-TEXMATE
 • Email: orders@texmate.com

MINI-5VDIM Technical Manual Copyright © 2019 Texmate Inc. All rights reserved. Published by: Texmate Inc. USA. Information in this Technical Manual is subject to change without notice due to correction or enhancement. The information described in this manual is proprietary to Texmate, Inc. and may not be copied, reproduced or transmitted, in whole or in part, in connection with the design, manufacture, or sale of apparatus, device or private label product without the express written consent of Texmate, Inc.