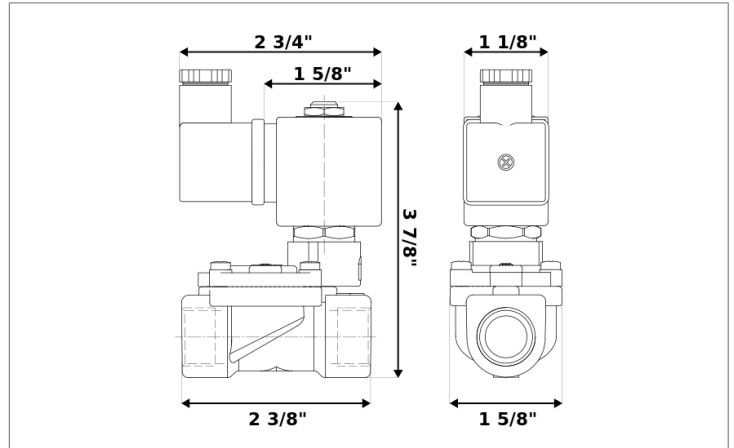


## DKSV198




Normally closed, pilot operated, 2-way solenoid valve with brass body and 3/8" connections



Valve	
Pipe size:	3/8" NPT
Pressure:	3-230 psi
Flow coefficient:	4.2 Cv
Media temperature:	15-195 °F
Ambient temperature:	15-105 °F
Suggested usage:	Air, inert gas, water
Operation:	2-way, normally closed solenoid valve
Mechanism:	Pilot operated
Manual override:	No
Pipe gender:	Female
Orifice size:	1/2"

Electrical	
Power:	12 V dc
Coil wattage:	8 W
Wire connection:	Cable grip connector
Cable entry:	PG9 gland
Consumption:	0.67 A
Tolerances:	+10% -5%
Coil inner diameter:	1/2"
Coil molding:	Polyamide (PA)
Coil rating:	15-310 °F (Class F)
Duty cycle:	Continuous, 100% ED
Enclosure:	NEMA 4, IP65

Materials	
Body:	Brass
Seal:	Buna-N rubber (NBR)
Orifice:	Brass
Armature tube:	Stainless steel 300
Fixed core:	Stainless steel 400
Plunger:	Stainless steel 400
Spring:	Stainless steel 300
Shading ring:	Copper

Spare parts		
ARMATURE TUBE	REPAIR KIT	COIL/CONNECTOR
AT-A001	RK-W001	C-D49
		
<ul style="list-style-type: none"> <li>• Armature tube</li> <li>• Plunger</li> </ul>	<ul style="list-style-type: none"> <li>• Diaphragm</li> <li>• O-ring</li> <li>• Plunger</li> </ul>	<ul style="list-style-type: none"> <li>• 12 V dc electrical coil</li> <li>• Cable grip connector</li> </ul>