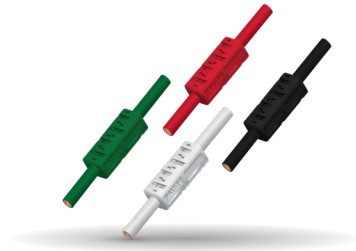


Thru Wire Connector

12-18 AWG: WTW - 9286-300



General Information



GENERAL DESCRIPTION

Poke-Home wire-to-wire connectors have been proven to be very simple and reliable over the past several years. Until today, they have been focused on the light industrial wire gauge ranges of 18AWG to 24AWG.

The latest product has just been developed to address the heavier 12AWG to 18AWG. This new 300 series of connectors employs a single, phosphor bronze contact technology with a center wire stop. Accepting both solid and stranded wires, pre-stripped wires can be easily inserted and then twist and pulled to be removed.

APPLICATIONS

- Industrial Machine Controls: motors, drives, solenoids, pumps, coils or transformers
- Commercial Building: controls, security and fire
- Smart Grid: meters, breakers and panels
- SSL: fixtures and wiring
- Application notes: refer to 201-01-218

FEATURES AND BENEFITS

- Simple strip and poke-home wire insertion with twist and pull wire extraction
- One-Piece contact with high force contact beams provide mechanical stability and wire retention
- Integral wires stop prevents over insertion
- -316 product will accept both 16AWG and 18AWG solid and stranded wires

ELECTRICAL

- Current Rating:

Connector	Wire Gauge	Solid Wire
16 AWG	18 AWG	10A
16 AWG	16 AWG	11A
14 AWG	14 AWG	13A
12 AWG	12 AWG	15A

- Voltage Rating: 600 V

ENVIRONMENTAL

- Operating Temperature: -40°C to +130°C

MECHANICAL

- Contact Material: Phosphor Bronze
- Plating: Pure Tin Over Nickel
- Durability: 5 Cycles

HOW TO ORDER

00	9286	001	3XX	X	06
Prefix	Series	Number of Ways	Wire Size*	Housing Color	Plating Option
00 = Standard Products		001 = 1	312 = 12AWG/3.3 – 3.9mm ² 314 = 14AWG/2.0 – 2.5mm ² 316 = 16AWG/1.3 – 1.6mm ² 18AWG/0.8 – 1.0mm ²	Standard 9 = UL White/ NaturalSpecial 8 = UL Black 0 = UL Gray 1 = UL Violet 2 = UL Brown 3 = UL Blue 4 = UL Yellow 5 = UL Red 6 = UL Green 7 = UL Orange	06 = Lead-Free Tin All Over

*Solid or Standed wire accepted:
more than 19 strands per wire not recommended

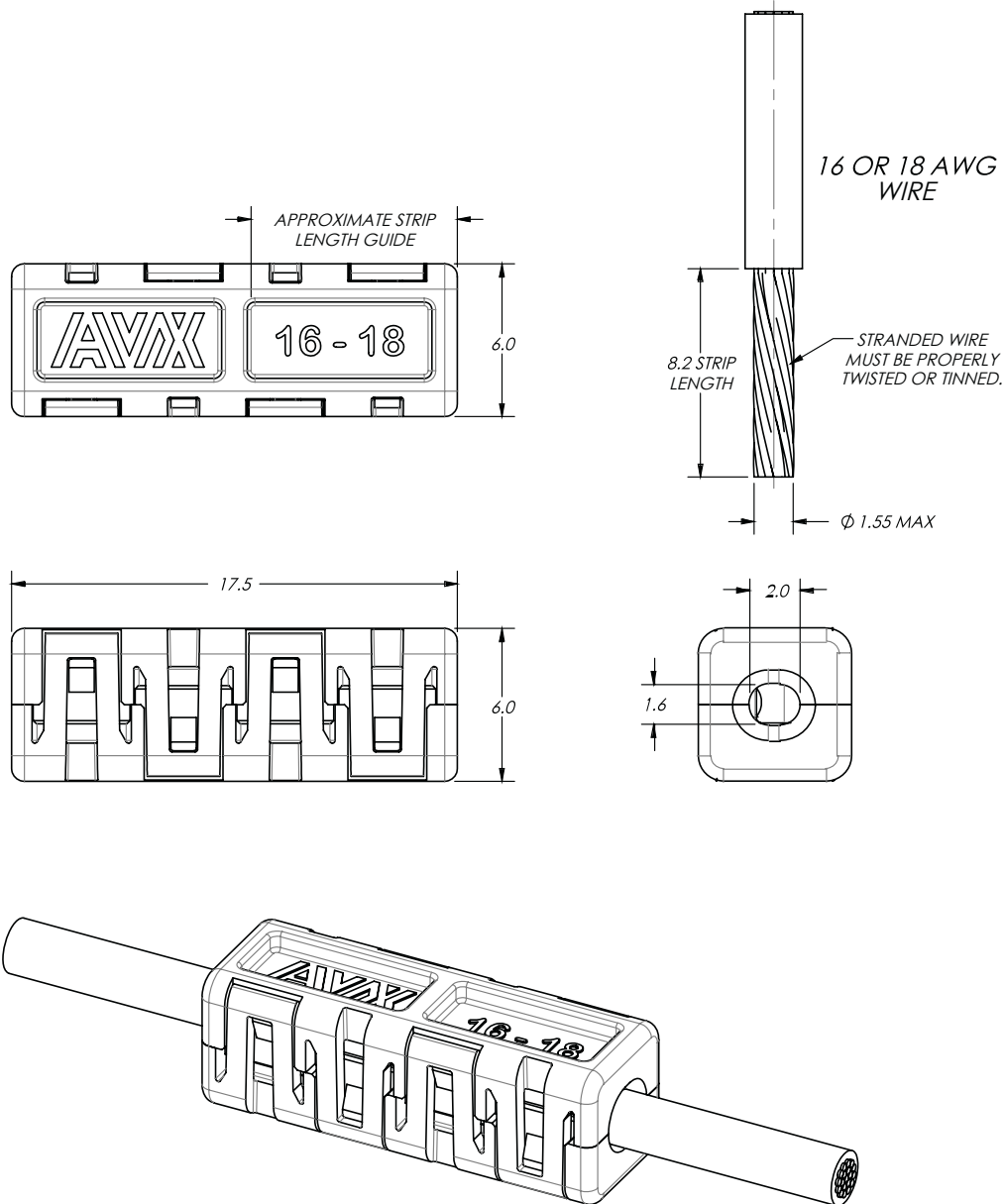
Certification: UL File #E90723

Thru Wire Connector

12-18 AWG: WTW - 9286-300



00-9286-001-316-X06



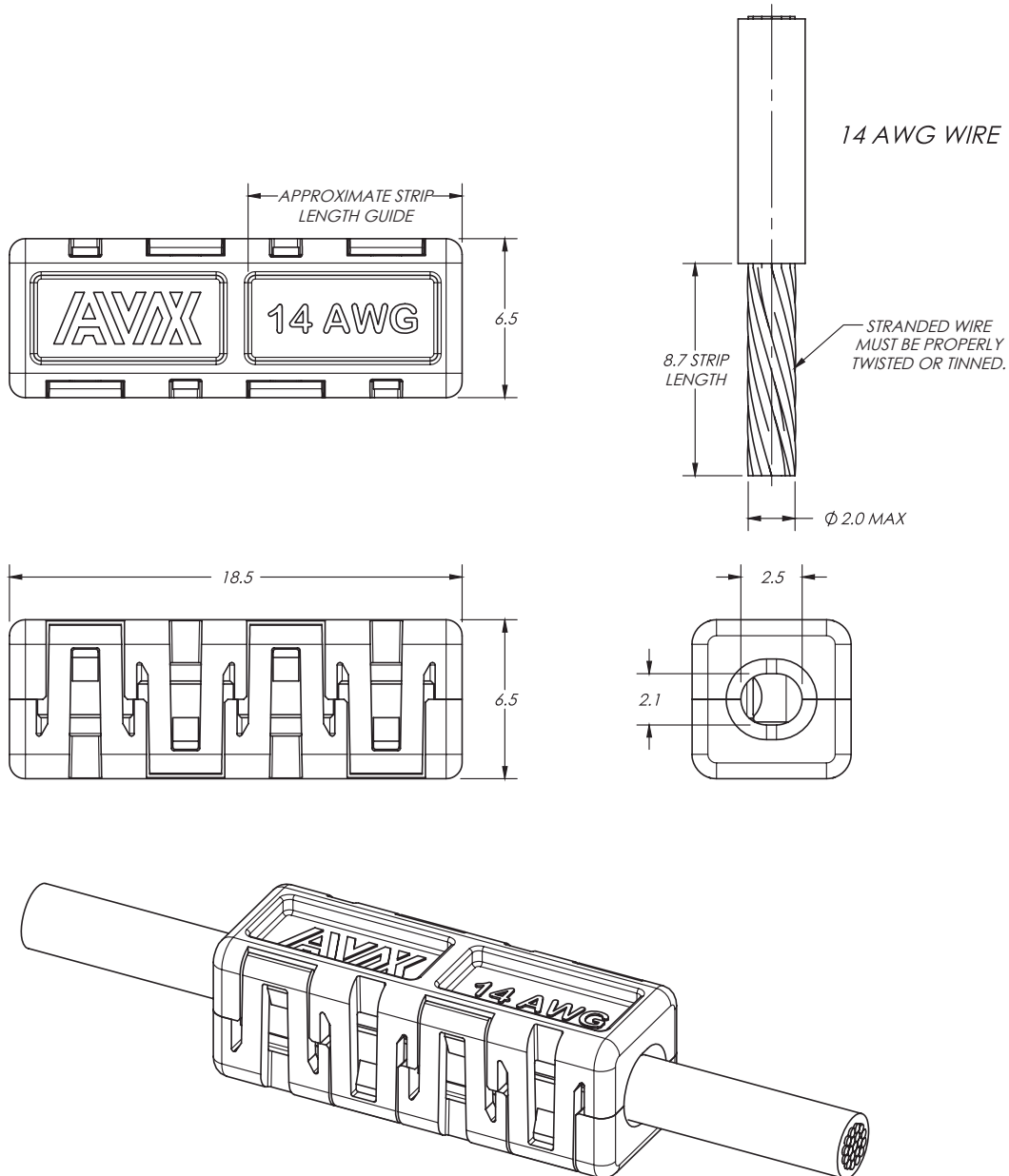
NOTES:

1. HOUSING MATERIAL: GLASS-FILLED THERMOPLASTIC FLAME RETARDANT PER UL94V-0; COLOR SEE PAGE 1.
2. CONTACT MATERIAL: HIGH STRENGTH COPPER ALLOY.
3. CONTACT PLATING: LEAD-FREE TIN OVER NICKEL.
4. PACKAGING TO BE IN BULK, 500 PER BAG.
5. FOR ADDITIONAL INFORMATION, SEE KYOCERA AVX PRODUCT SPECIFICATION 201-01-217, AND APPLICATION NOTES 201-01-218

Thru Wire Connector

12-18 AWG: WTW - 9286-300

00-9286-001-314-X06



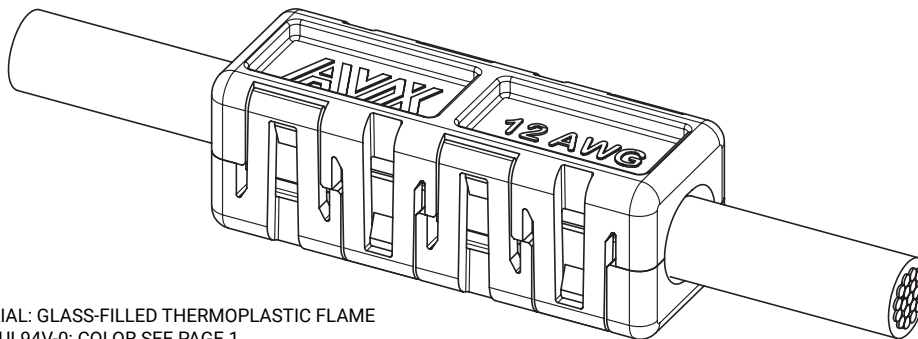
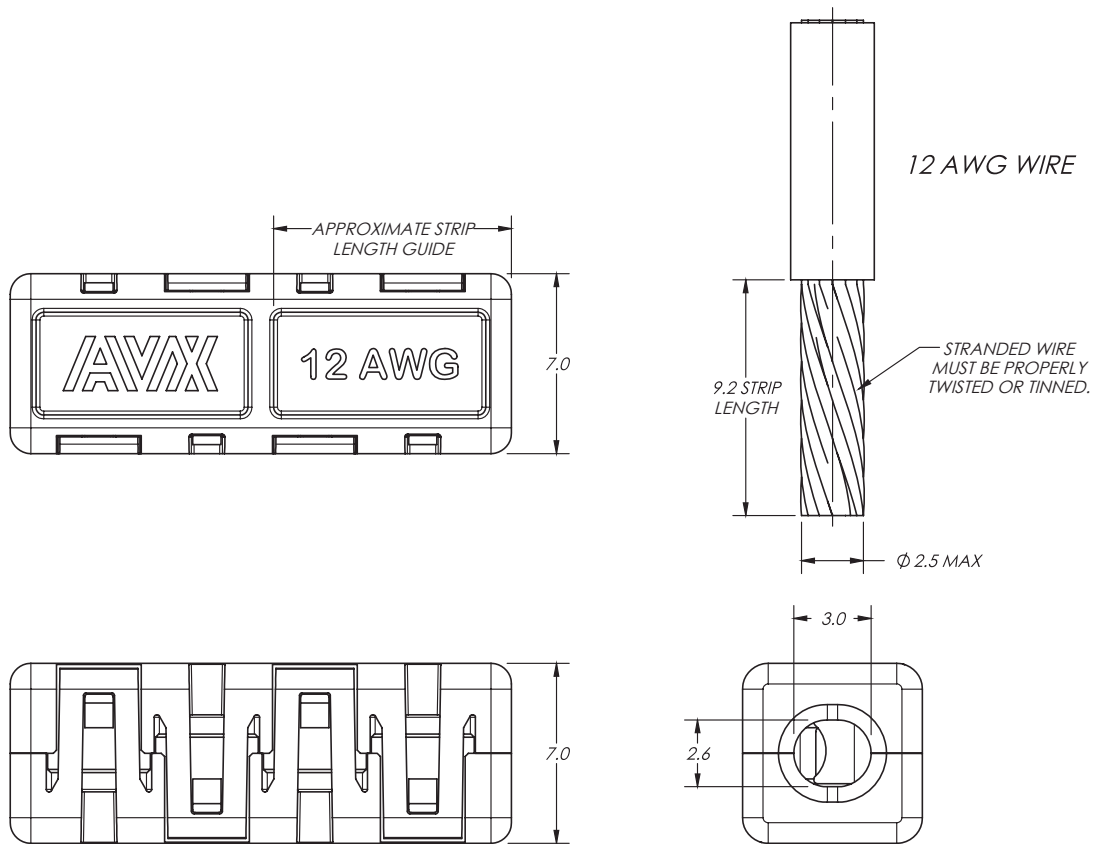
NOTES:

1. HOUSING MATERIAL: GLASS-FILLED THERMOPLASTIC FLAME RETARDANT PER UL94V-0: COLOR SEE PAGE 1.
2. CONTACT MATERIAL: HIGH STRENGTH COPPER ALLOY.
3. CONTACT PLATING: LEAD-FREE TIN OVER NICKEL.
4. PACKAGING TO BE IN BULK, 500 PER BAG.
5. FOR ADDITIONAL INFORMATION, SEE KYOCERA AVX PRODUCT SPECIFICATION 201-01-217, AND APPLICATION NOTES 201-01-218.

Thru Wire Connector

12-18 AWG: WTW - 9286-300

00-9286-001-312-X06



NOTES:

1. HOUSING MATERIAL: GLASS-FILLED THERMOPLASTIC FLAME RETARDANT PER UL94V-0: COLOR SEE PAGE 1.
2. CONTACT MATERIAL: HIGH STRENGTH COPPER ALLOY.
3. CONTACT PLATING: LEAD-FREE TIN OVER NICKEL.
4. PACKAGING TO BE IN BULK, 500 PER BAG.
5. FOR ADDITIONAL INFORMATION, SEE KYOCERA AVX PRODUCT SPECIFICATION 201-01-217, AND APPLICATION NOTES 201-01-218.