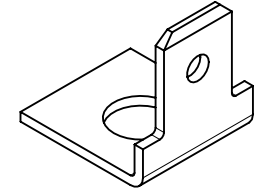
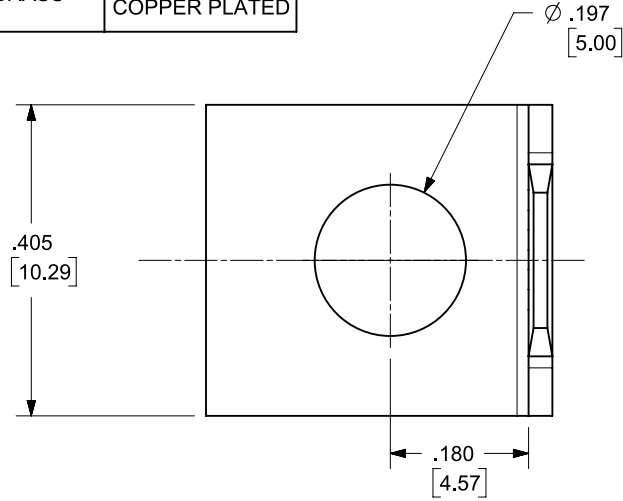
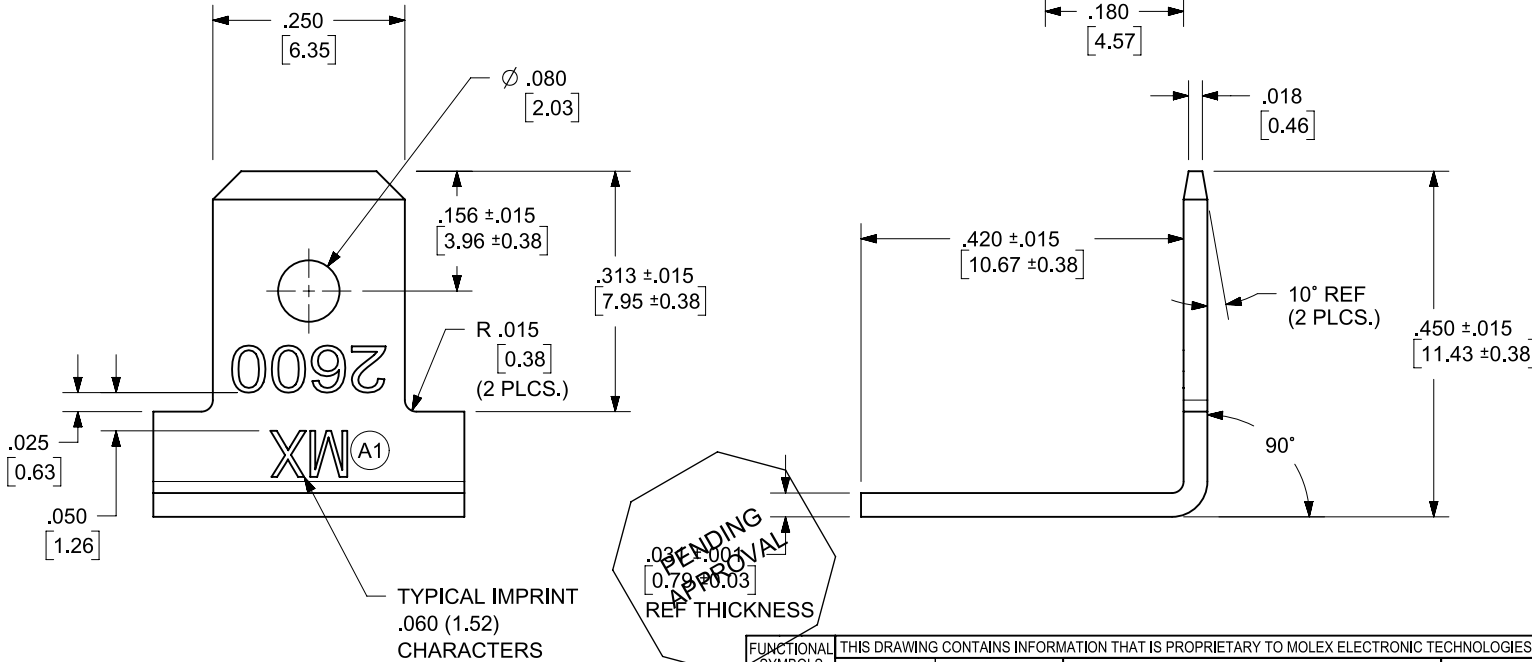


6	5	4	3	2	1
MATERIAL NO.	ENGINEERING NO.	DESCRIPTION	MATERIAL	FINISH	
380020455	2615	TERMINAL, .250 FT, SLVR,	BRASS	TIN OVER COPPER PLATED	

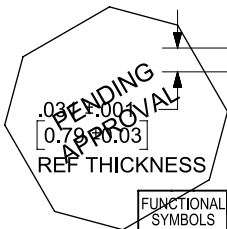
NOTES:  
 1. ALL DIM'S SHOWN ARE BEFORE PLATING.  
 2. PART IS RoHS COMPLIANT.



AUXILLARY VIEW  
SCALE 2:1



TYPICAL IMPRINT  
.060 (1.52)  
CHARACTERS



FUNCTIONAL SYMBOLS $\frac{E}{A} = 0$ $\frac{E}{F} = 0$ $\frac{E}{P} = 0$	THIS DRAWING CONTAINS INFORMATION THAT IS PROPRIETARY TO MOLEX ELECTRONIC TECHNOLOGIES, LLC AND SHOULD NOT BE USED WITHOUT WRITTEN PERMISSION		CURRENT REV DESC: "MX" WAS "BEAU"		
	DIMENSION UNITS	SCALE	GENERAL TOLERANCES (UNLESS SPECIFIED)		
	in/[mm]	4:1	MM	INCH	
			4 PLACES ±	±	
DIVISIONAL SYMBOLS		3 PLACES ±	± 0.005		
		2 PLACES ±	0.13 ± 0.01		
		1 PLACE ±	0.3 ±		
		0 PLACES ±	±		
		ANGULAR TOL	± 2.0°		
DRAFT WHERE APPLICABLE MUST REMAIN WITHIN DIMENSIONS		THIRD ANGLE PROJECTION	DRAWING	SERIES	
			A-SIZE	38002	
DOCUMENT STATUS		RQ	RELEASE DATE		
6		5		4	



TERMINAL, .250 FT, SLVR,  
CAT# 2615

PRODUCT CUSTOMER DRAWING

DOCUMENT NUMBER	DOC TYPE	DOC PART	REVISION
SD-38002-063	PSD	001	A1
MATERIAL NUMBER	CUSTOMER	SHEET NUMBER	
SEE TABLE	GENERAL MARKET	1 OF 1	