

## SCT2400EVM Evaluation Module

The SCT2400 EVM is a compact evaluation board that allows the user to investigate all aspects of the SCT2400 integrated circuit, a high performance 2.4GHz transceiver and baseband processor.

### SCT2400 Features

- Highly integrated 2.4GHz spread spectrum radio transceiver
- Range optimised vocoder
- Digital voice modes
  - Peer to peer
  - Group Call
  - Broadcast
- Data Modes
  - Continuous SMS style data

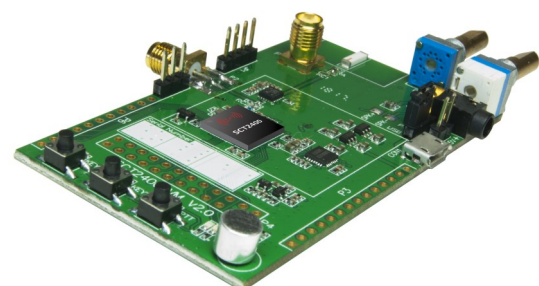
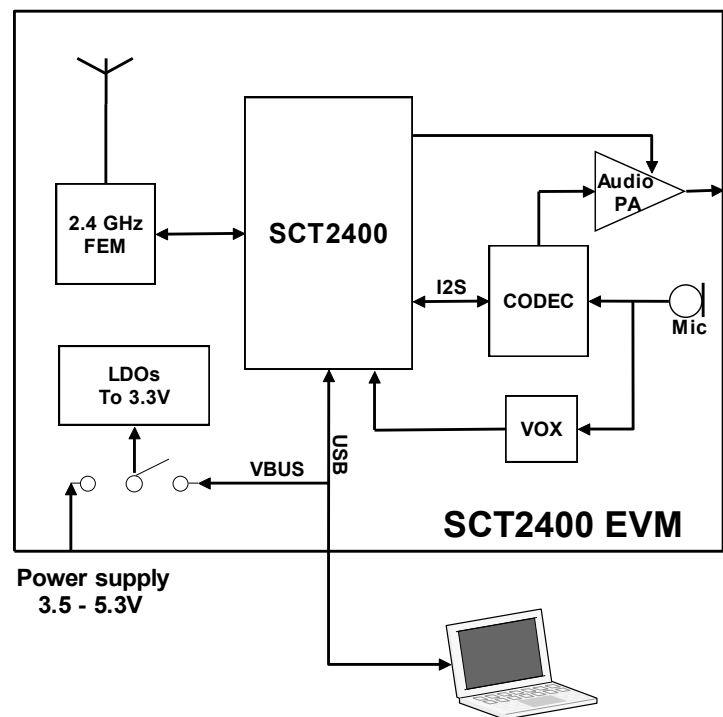
### Technical Features

- 12.5dBm RF Tx power
- Single 3V supply
- Low power consumption
  - ~10mA standby/scanning
  - ~52mA receive voice
  - ~64mA transmit voice
- 144-BGA package (10mm x 10mm)

### Applications

- License Free 2.4GHz Voice + Data
- Intercoms
- Access control and gate entry
- Two-way radio, PMR/LMR
- Wearable communications
- Wireless headsets

The evaluation board also includes additional circuits that can be used to evaluate the system performance of the SCT2400 in a typical radio implementation. These circuits include a 2.4GHz FEM, audio codec and audio power amplifier. The SCT2400 EVM can work independently and also can be controlled via a PC using a USB port.



SCT2400EVM

## Resources Available

Website (some content requires registration)

- Product preview
- Datasheet
- Test guide and Customer Programming Suite (CPS) instructions
- Packet interface guide
- High resolution schematics
- High resolution overlays

Technical Portal (Contact CML for access)

- Customer Programming Suite (CPS) software
- Software updates



Wuxi Sicomm Communication Technologies Inc. is a CML Microsystems PLC Company and products are available through CML Microcircuits and its distributors. For information on this and other Sicomm products please contact your local CML Sales representative.



[www.cmlmicro.com](http://www.cmlmicro.com)

United Kingdom	tel: +44 (0) 1621 875500	email: <a href="mailto:sales@cmlmicro.com">sales@cmlmicro.com</a> <a href="mailto:techsupport@cmlmicro.com">techsupport@cmlmicro.com</a>
Singapore	tel: +65 62888129	email: <a href="mailto:sg.sales@cmlmicro.com">sg.sales@cmlmicro.com</a> <a href="mailto:sg.techsupport@cmlmicro.com">sg.techsupport@cmlmicro.com</a>
United States	tel: +1 336 744 5050 800 638 5577	email: <a href="mailto:us.sales@cmlmicro.com">us.sales@cmlmicro.com</a> <a href="mailto:us.techsupport@cmlmicro.com">us.techsupport@cmlmicro.com</a>