



BTSMF SERIES

BLUETOOTH® LOW MOUNT INDOOR PASSIVE INFRARED FIXTURE SENSOR

FEATURES

- Passive Infrared (PIR) sensing technology provides excellent major motion detection
- Wireless programming using HCS controlHUBB mobile app
- 0-10V dimming control
- Single/Dual motion sensor timer modes
- Daylight sensor with multiple daylight harvesting modes
- Compact, discrete, low profile fixture sensor



RELATED PRODUCTS

- [BTSMF Low Mount Outdoor Sensor](#)
- [BTSMF High Mount Outdoor Sensor](#)
- [BTSMF OMNI Sensor](#)
- [BTSMF OMNI Outdoor Sensor](#)

SPECIFICATIONS

CONSTRUCTION

- ABS (UL-945VA) flame class rating, UV inhibitors
- 3.0 oz (85.0g)
- White
- External: 0.6" (19.0mm) H, 1.6" (41.9mm) W
- Internal Thread: 1.2" (25.4mm) L, 1.1" (27.9mm) W

ELECTRICAL

- Low Voltage sensors: 12-24VDC (Requires Dim to Off driver with auxiliary power or low voltage power supply - Not included)
- Dimming: 0-10V; Capable of sinking up to 30mA
- Bluetooth Radio: V5.0

OPERATION

- Indoor use
- 1:1 (Mounting Height : Coverage Radius); Up to 14ft
- Operating temperature: -40°F to 149°F (-40°C to 65°C)
- Wireless programming of sensor settings using HCS ControlHUBB Bluetooth app. Maximum programming distance: 45 Ft
- Easy to use slider controls for sensor settings

OPERATION (CONTINUED)

- Motion sensor and photosensor test modes
- Configurable LED motion indicator
- Single/Dual Motion Sensor Timer Modes
 - Single Timer Mode: Timer (0 secs - 30 mins), Level Adjustment (0-100%)
 - Dual Timer Mode: Timer 1 (0 secs - 30 mins), Level Adjustment (0-100%), Timer 2 (0 min - 5 hrs)
- Multiple Daylight Harvesting Modes
 - Full range dimming with auto configuration (closed loop operation)
 - Legacy dimming (open loop operation)
 - Dusk to dawn (On/Off operation)
 - Disabled (Default)
- Device Cloning: Sensor settings can be saved to device profiles and then cloned to other sensors
- Patented Intelliscope™ technology showing real-time occupancy data
- Security
 - Passcode protection to prevent unwanted changes
- Factory Defaults: Sensor can be set to factory defaults using the app

OPERATION (CONTINUED)

- Over the Air (OTA) firmware updatable
- Dual element pyrometer and spherical Fresnel lens designed for robust detection of person walking

DAYLIGHT SENSOR

- Range: 1 to 50fc or 5 to 500fc

CERTIFICATIONS

- Conforms with UL STD 508, UL STD 244A

WARRANTY

- 5 year limited
- See [HLI Standard Warranty](#) for additional information

BTSMP SERIES

BLUETOOTH® LOW MOUNT INDOOR PASSIVE INFRARED FIXTURE SENSOR

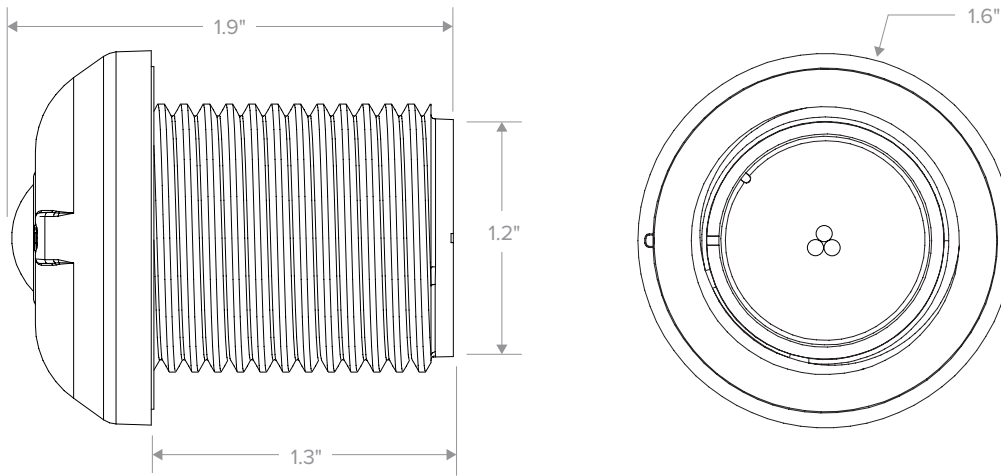
ORDERING GUIDE

Example: BTSMP-LMI

CATALOG #

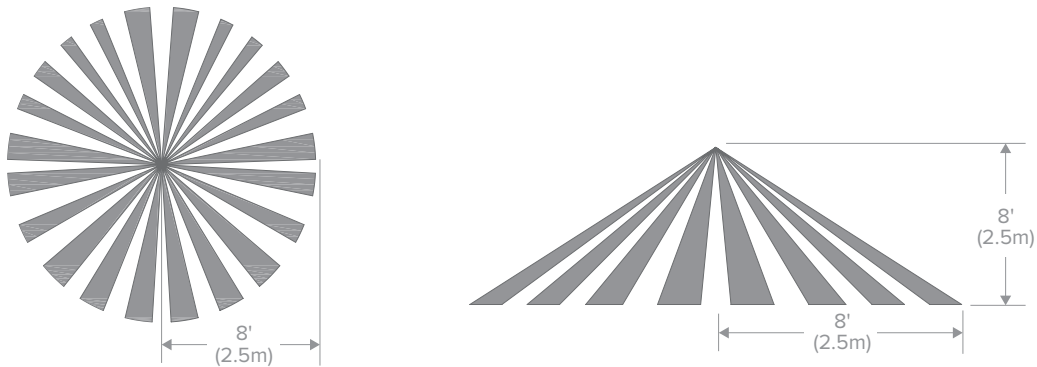
BTSMP		Sensor Type	
Model		LMI	
BTSMP	Bluetooth Sensor Module with Passive Infrared Sensing Technology, 24VDC	LMI	Low Mount Indoor, 360° Lens

DIMENSIONS



ADDITIONAL INFORMATION

Coverage Patterns

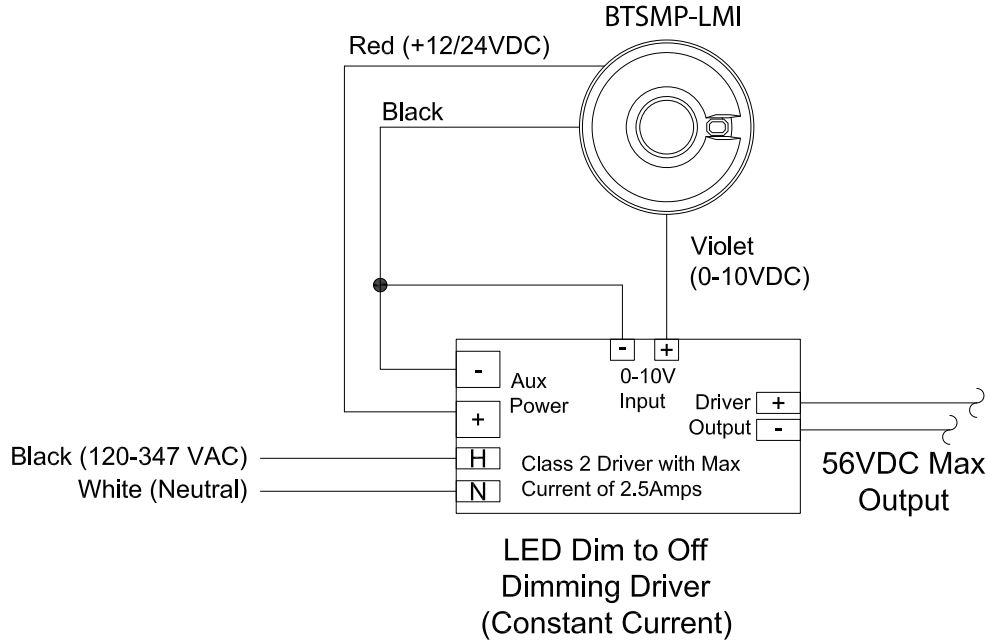


BTSMP SERIES

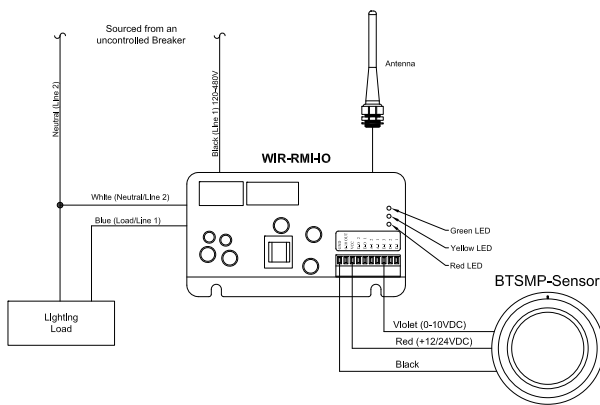
BLUETOOTH® LOW MOUNT INDOOR PASSIVE INFRARED FIXTURE SENSOR

ADDITIONAL INFORMATION (CONTINUED)

Wiring Diagrams

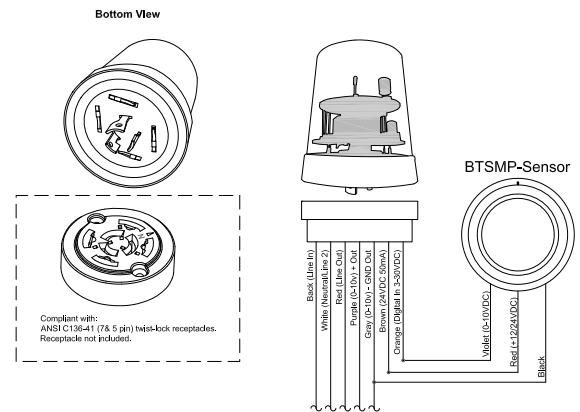


BTSMP Sensor Connected to Dim to OFF Driver with Aux Supply (+12/24VDC)



NOTE: Disconnect power prior to installation.

wiSCAPE® Wiring Diagram with WIR-RMI-IO with a BTSMP Sensor



NOTE: Disconnect power prior to installation.

wiSCAPE Wiring Diagram with WIR-RME-L with a BTSMP Sensor