

PLEASE CHECK WWW.MOLEX.COM FOR LATEST PART INFORMATION

Part Number: [0039532174](#)
Status: **Active**
Overview: Easy-On FFC FPC Connectors
Description: 1.25mm Pitch Easy-On FFC/FPC Connector, Through-Hole, Right-Angle, ZIF, Top Contact Style, 17 Circuits

Documents:

| | |
|--------------------------------|--|
| 3D Model | Product Specification PS-5597-004-001 (PDF) |
| Drawing (PDF) | Packaging Specification SPK-5597-003-001 (PDF) |
| 3D Model (PDF) | RoHS Certificate of Compliance (PDF) |

Agency Certification

UL E29179

General

| | |
|----------------|--|
| Product Family | FFC/FPC Connectors |
| Series | 5597 |
| Overview | Easy-On FFC FPC Connectors |
| Product Name | Easy-On |
| Taxonomy | FFC / FPC Connectors |
| UPC | 822348170241 |

Physical

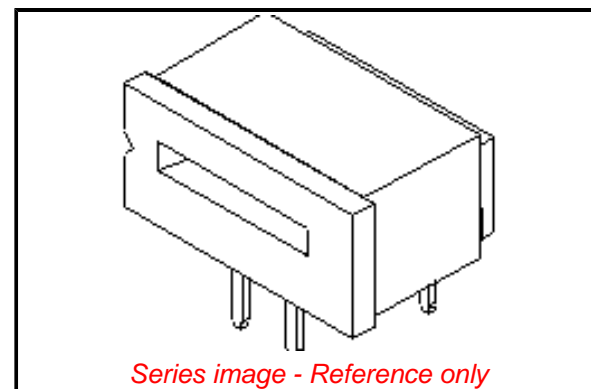
| | |
|--------------------------------|-----------------|
| Actuator Type | Slider |
| Circuits (Loaded) | 17 |
| Circuits (maximum) | 17 |
| Color - Resin | Natural |
| Contact Position | Top |
| Durability (mating cycles max) | 30 |
| Flammability | 94V-0 |
| Mated Height | 5.00mm |
| Material - Metal | Phosphor Bronze |
| Material - Plating Mating | Tin-Bismuth |
| Material - Plating Termination | Tin-Bismuth |
| Material - Resin | Polyester |
| Net Weight | 1479.070/mg |
| Number of Rows | 1 |
| Orientation | Right Angle |
| PC Tail Length | 3.50mm |
| PCB Locator | No |
| PCB Mounting | Through Hole |
| PCB Retention | None |
| Packaging Type | Tray |
| Pitch - Mating Interface | 1.25mm |
| Plating min - Mating | 1.016µm |
| Plating min - Termination | 1.016µm |
| Polarized to PCB | No |
| Stackable | No |
| Surface Mount Compatible (SMC) | No |
| Temperature Range - Operating | -20° to +80°C |
| Wire/Cable Type | FFC/FPC |

Electrical

| | |
|-------------------------------|------|
| Current - Maximum per Contact | 1.0A |
| Voltage - Maximum | 200V |

Material Info

Engineering Number 5597-17APB7F



EU ELV

Not Relevant

EU RoHS

Compliant

REACH SVHC

Not Contained Per -
D(2022)4187-DC (10
June 2022)

Halogen-Free

Status

Not Low-Halogen

For more information, please visit [Contact US](#)

China ROHS

ELV

RoHS Phthalates

China RoHS

Green Image

Not Relevant

Not Contained

Search Parts in this Series

[5597 Series](#)

Reference - Drawing Numbers

Packaging Specification

Product Specification

Sales Drawing

SPK-5597-003-001

PS-5597-004-001

SD-5597-011-001

This document was generated on 12/05/2022

PLEASE CHECK WWW.MOLEX.COM FOR LATEST PART INFORMATION