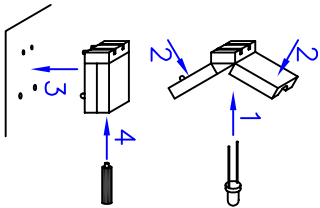
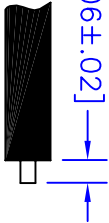


LIGHT PIPE

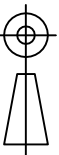
PREPARATION/INSTALLATION:

1.5±.5 [.06±.02]



NOTES:

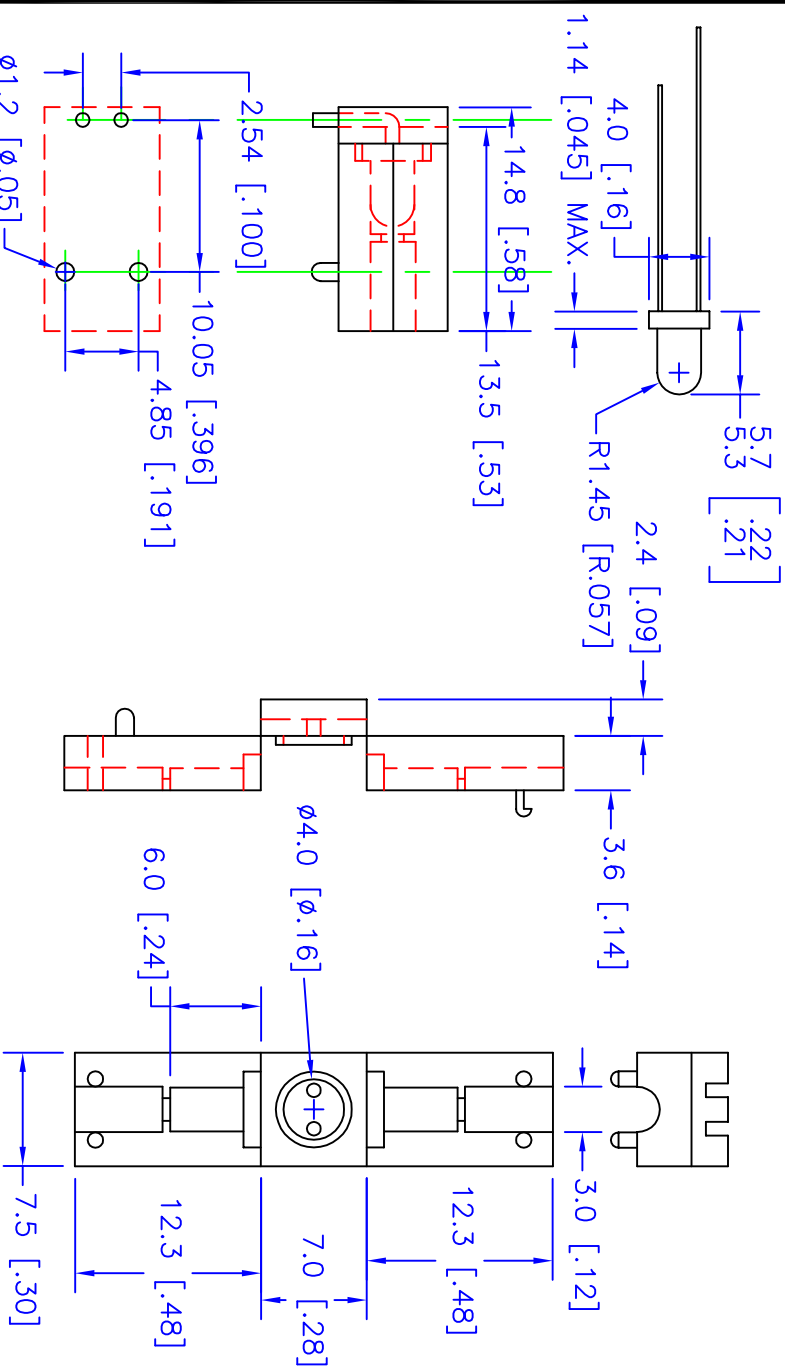
1. ROHS COMPLIANT
2. UL 94V-2 FLAMMABILITY RATING
3. -40°C TO 85°C OPERATING TEMPERATURE
4. SUITABLE FOR LIGHT PIPE WITH $\phi 3.0$ mm JACKET AND OPTICAL CORE NO GREATER THAN $\phi 1.5$ mm
5. DO NOT WAVE SOLDER WITH THIS DEVICE
6. FOR BEST RESULTS USE ONLY NARROW VIEWING ANGLE NON-DIFFUSED LEDS WITH OUTPUT POWER GREATER THAN 100mcd
7. NOT RECOMMENDED FOR DATA COMMUNICATIONS



METRIC

REV		DESCRIPTION	ECO	DATE	DWN	APVD
C		REVISED STRIP LENGTH FROM 1.0±.05	0034	09/17/09	BB	KS

REVISIONS



PART IS MADE OF BLACK NYLON.

INDUSTRIAL FIBER OPTICS

TEMPE, AZ 85281

MOUNT, RIGHT-ANGLE
LED TO LIGHT PIPE

UNLESS OTHERWISE SPECIFIED	
DIMENSIONS MILLIMETERS [IN.]	
TOLERANCES	SURFACE 3.2/
0 PLC: ±1	TEXTURE: V
1 PLC: ±.25	
2 PLC: ±.127	
3 PLC: ±.025	
4 PLC: ±.013	
ANGLE: ±1/2°	
REMOVE BURRS AND SHARP EDGES	
FLATNESS .005 MM PER MM	
ALL DIMENSIONS AFTER FINISH	

PRODUCT	LIGHT PIPE
MATERIAL	NYLON 66
FINISH	NONE
DRAWN BY	B. BIDWELL
DATE	11/12/08
CHECKED BY	K. STOTZ
DATE	09/17/09

NAME		DO NOT SCALE		DRAWING	
SIZE		SCALE	PART NUMBER	SHEET 1 OF 1	
A		2:1	51 0331	REV C	