

Si47961-62 Data Short

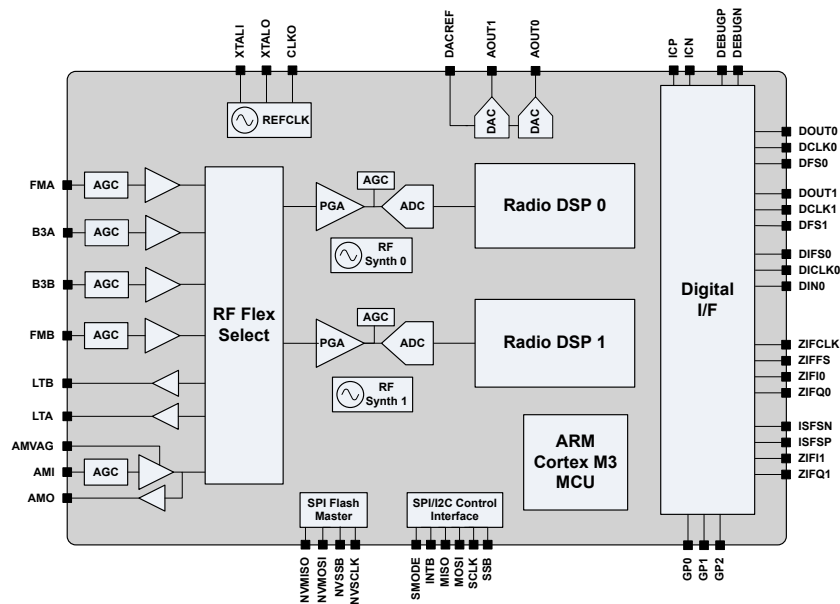
High-Performance Automotive Dual AM/FM Radio Receiver and HD Radio™/DAB/DAB+/DMB/DRM Tuner

The Si47961/62 integrates two global radio receivers. The analog AM/FM receivers and digital radio tuners set a new standard for automotive broadcast reception.

The Si47961/62 is the most integrated automotive tuner in the industry with the smallest external bill of materials. Si47961/62 based systems can scale from a low-cost dual tuner AM/FM radio to the highest performance systems with multiple tuners and multiple antennas, enabling the radio suppliers to reuse their R&D across multiple product lines, all with a common software API. The Si47961/62 A-grade parts meet rigorous automotive quality standards.

Applications

- OEM automotive infotainment systems
- Aftermarket car radio systems



KEY FEATURES

- Dual worldwide FM band support (64–108 MHz)
- Dual worldwide AM band support (520–1710 kHz)
- Dual LW band support (144–288 kHz)
- Dual SW band support (2.3–30 MHz)
- Dual DAB/DAB+/DMB support (Si47962 only) (168–240 MHz)
- NOAA Weather Band support
- On-chip RDS/RDBS
- AM/FM
 - Comprehensive AM/FM signal processing firmware
 - Integrated active AM/FM buffers for background/data tuners
 - Analog FM phase diversity with two tuners
- HD Radio
 - Digital I/Q interface to HD Radio Processor
 - HD Radio MRC with two tuners
- DRM30/DRM+ (Si47962 only)
 - Digital I/Q interface to DRM processor
 - Fully integrated AGC
 - DRM detect
- Dual DAB/DAB+/DMB (Si47962 only)
 - Digital I/Q interface to DAB/DAB+/DMB processor
 - DAB/DAB+/DMB MRC with two tuners
 - Integrated active Band III buffers for background/data tuners
- Audio
 - Two analog audio outputs
 - Three digital audio ports (I²S)
- 1.8 V or 3.3 V digital IO power supplies
- 3.3 V analog power supply and 1.8 V digital power supply
- QFN 56-pin, 8x8x0.85 mm
- Pb-free/RoHS compliant
- AEC-Q100 qualified (A-grade devices)

1. Pin Descriptions

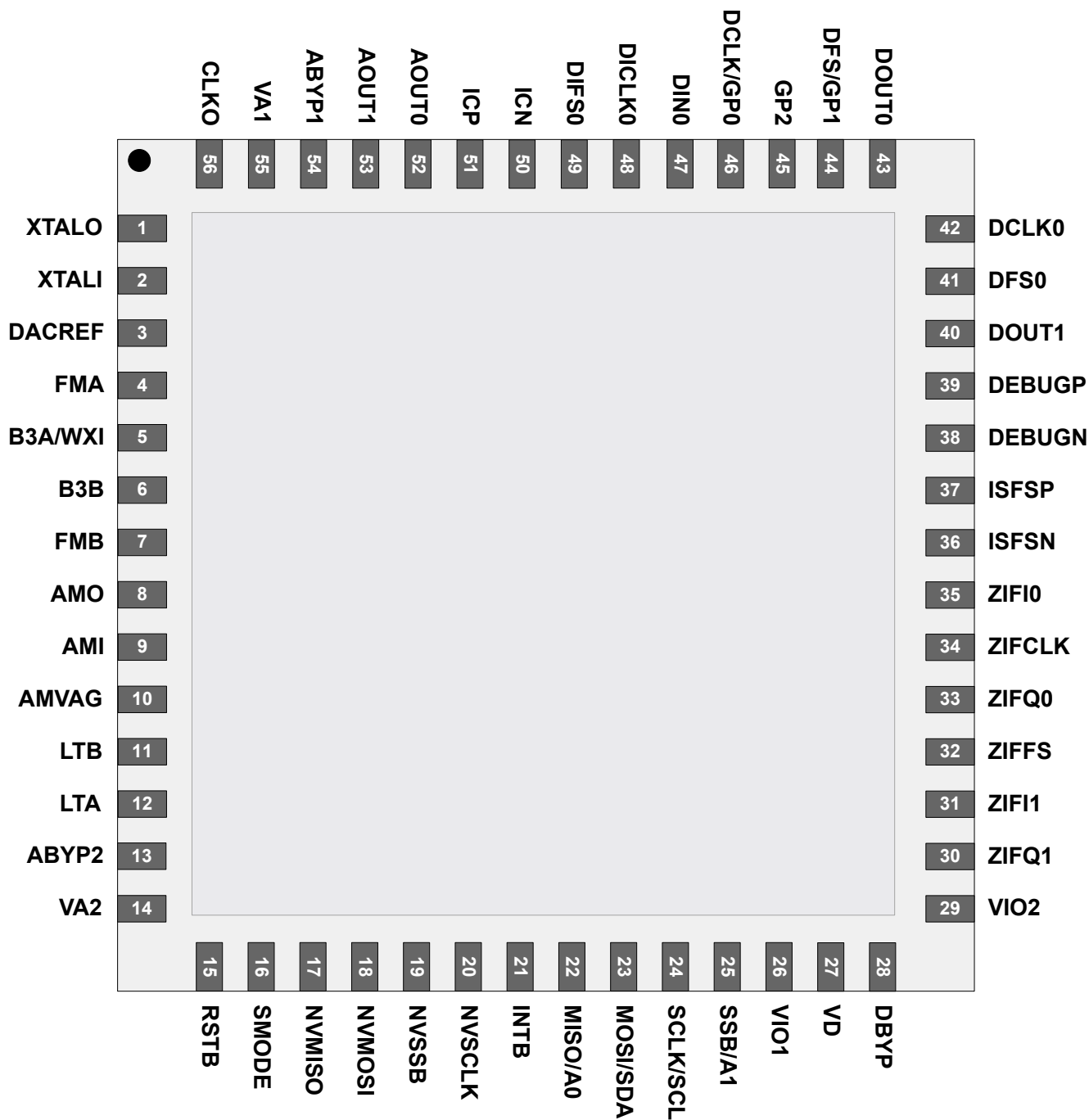


Figure 1.1. Si47961-62 Pinout Diagram

2. Package Outline

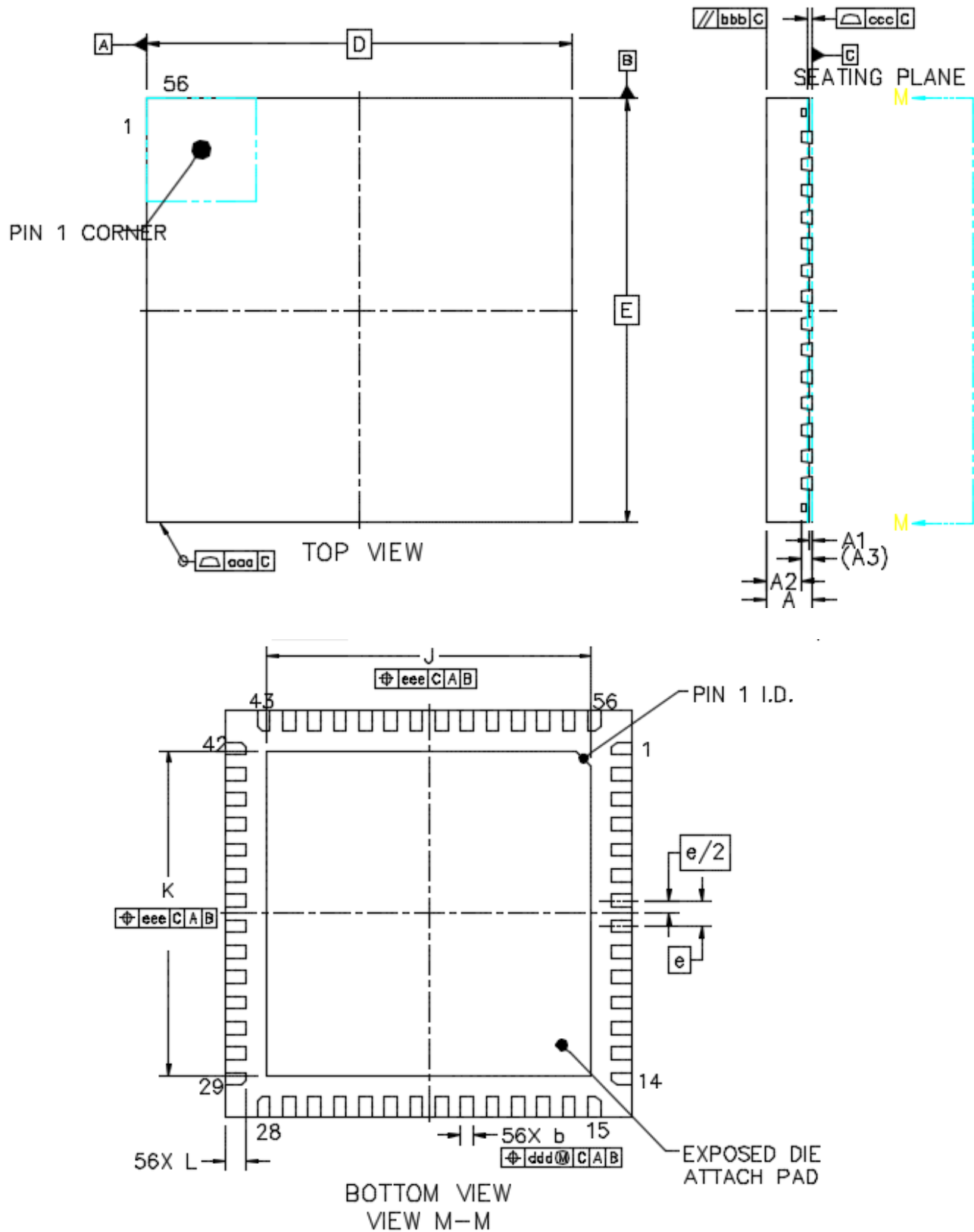


Figure 2.2. 56-Pin QFN

Table 2.1. Package Dimensions

Dimensions	Min	Nom	Max
A	0.80	0.85	0.90
A1	0.00	0.035	0.05
b	0.20	0.25	0.30
A3	0.203 REF		
D	8.00 BSC		
e	0.5 BSC		
E	8.00 BSC.		
D2	6.30	6.40	6.50
E2	6.30	6.40	6.50
L	0.35	0.40	0.45
K	0.20	—	—
aaa	0.10		
bbb	0.10		
ccc	0.08		
ddd	0.10		
eee	0.10		
Note:			
1. All dimensions shown are in millimeters (mm) unless otherwise noted.			
2. Dimensioning and Tolerancing per ANSI Y14.5M-1994.			
3. Recommended card reflow profile is per the JEDEC/IPC J-STD-020 specification for Small Body Components.			



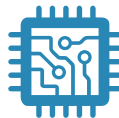
SKYWORKS®

**Connecting Everyone
and Everything,
All the Time**



Portfolio

www.skyworksinc.com



Quality

www.skyworksinc.com/quality



Support & Resources

www.skyworksinc.com/support

Copyright © 2021 Skyworks Solutions, Inc. All Rights Reserved.

Information in this document is provided in connection with Skyworks Solutions, Inc. ("Skyworks") products or services. These materials, including the information contained herein, are provided by Skyworks as a service to its customers and may be used for informational purposes only by the customer. Skyworks assumes no responsibility for errors or omissions in these materials or the information contained herein. Skyworks may change its documentation, products, services, specifications or product descriptions at any time, without notice. Skyworks makes no commitment to update the materials or information and shall have no responsibility whatsoever for conflicts, incompatibilities, or other difficulties arising from any future changes.

No license, whether express, implied, by estoppel or otherwise, is granted to any intellectual property rights by this document. Skyworks assumes no liability for any materials, products or information provided hereunder, including the sale, distribution, reproduction or use of Skyworks products, information or materials, except as may be provided in Skyworks' Terms and Conditions of Sale.

THE MATERIALS, PRODUCTS AND INFORMATION ARE PROVIDED "AS IS" WITHOUT WARRANTY OF ANY KIND, WHETHER EXPRESS, IMPLIED, STATUTORY, OR OTHERWISE, INCLUDING FITNESS FOR A PARTICULAR PURPOSE OR USE, MERCHANTABILITY, PERFORMANCE, QUALITY OR NON-INFRINGEMENT OF ANY INTELLECTUAL PROPERTY RIGHT; ALL SUCH WARRANTIES ARE HEREBY EXPRESSLY DISCLAIMED. SKYWORKS DOES NOT WARRANT THE ACCURACY OR COMPLETENESS OF THE INFORMATION, TEXT, GRAPHICS OR OTHER ITEMS CONTAINED WITHIN THESE MATERIALS. SKYWORKS SHALL NOT BE LIABLE FOR ANY DAMAGES, INCLUDING BUT NOT LIMITED TO ANY SPECIAL, INDIRECT, INCIDENTAL, STATUTORY, OR CONSEQUENTIAL DAMAGES, INCLUDING WITHOUT LIMITATION, LOST REVENUES OR LOST PROFITS THAT MAY RESULT FROM THE USE OF THE MATERIALS OR INFORMATION, WHETHER OR NOT THE RECIPIENT OF MATERIALS HAS BEEN ADVISED OF THE POSSIBILITY OF SUCH DAMAGE.

Skyworks products are not intended for use in medical, lifesaving or life-sustaining applications, or other equipment in which the failure of the Skyworks products could lead to personal injury, death, physical or environmental damage. Skyworks customers using or selling Skyworks products for use in such applications do so at their own risk and agree to fully indemnify Skyworks for any damages resulting from such improper use or sale.

Customers are responsible for their products and applications using Skyworks products, which may deviate from published specifications as a result of design defects, errors, or operation of products outside of published parameters or design specifications. Customers should include design and operating safeguards to minimize these and other risks. Skyworks assumes no liability for applications assistance, customer product design, or damage to any equipment resulting from the use of Skyworks products outside of Skyworks' published specifications or parameters.

Skyworks, the Skyworks symbol, Sky5®, SkyOne®, SkyBlue™, Skyworks Green™, Clockbuilder®, DSPLL®, ISOModem®, ProSLIC®, and SiPHY® are trademarks or registered trademarks of Skyworks Solutions, Inc. or its subsidiaries in the United States and other countries. Third-party brands and names are for identification purposes only and are the property of their respective owners. Additional information, including relevant terms and conditions, posted at www.skyworksinc.com, are incorporated by reference.

Skyworks Solutions, Inc. | Nasdaq: SWKS | sales@skyworksinc.com | www.skyworksinc.com

USA: 781-376-3000 | Asia: 886-2-2735 0399 | Europe: 33 (0)1 43548540 | [in](https://www.linkedin.com/company/skyworks) [f](https://www.facebook.com/skyworks) [t](https://twitter.com/skyworks) [y](https://www.youtube.com/skyworks)