

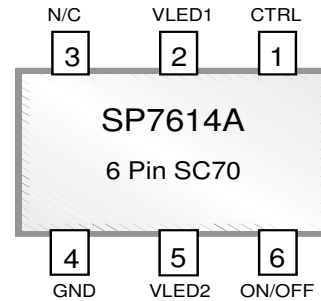


# SP7611A/C, SP7612A/C, SP7614A/C

## 2-4 Channel Low Dropout Linear LED Driver

### FEATURES

- LED Drivers for parallel connected LEDs
  - No EMI, no switching noise
  - Integrated current matching
  - PWM and Analog brightness control
  - Enable/Shutdown control
  - Shutdown current <math>< 0.01\mu\text{A}</math>
  - Tiny, RoHS Compliant Lead-Free
- Packages: SC-70, 2x2 TDFN



Pin outs for SP7611A and SP7612A on page 3

Part #	Channels	Maximum Steady State Current per LED
SP7611A	4	40mA
SP7612A	3	40mA
SP7614A	2	80mA

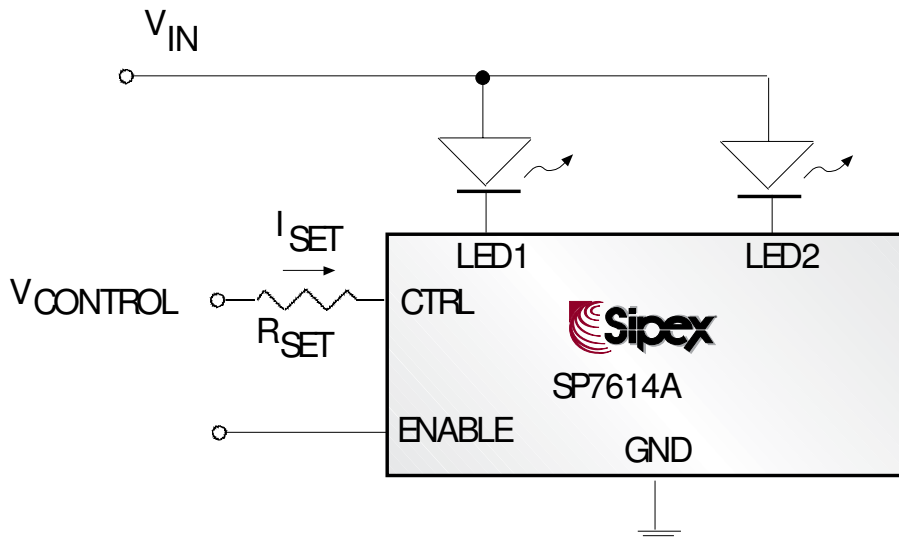
### APPLICATIONS

- Ultra low cost Handsets
- PDA, DSC, MP3 players
- Handheld Computers
- LCD Display Modules
- Keyboard Backlight
- LCD Backlight

### DESCRIPTION

The SP761X driver family provides a simple solution for a matched current source for any color LED. The current in the LEDs can be programmed by an external resistor. The SP7611A is capable of driving four LEDs, while the SP7612A can drive three LEDs. The SP7614A is designed to drive two high current LEDs. LED1 should always be connected to an LED and never left open in order to have the other LEDs driven with a matched current to LED1. The SP7612A and SP7614A feature Enable pins for flexible on/off control and PWM dimming. SP7612A/4A has extremely low (0.01uA typical) shutdown current, prolonging the battery life and giving the longest standby period possible in today's modern design. SP761X driver family is available in a small footprint 6-pin SC-70 package as well as the 6-pin 2x2 TDFN.

### TYPICAL APPLICATION SCHEMATIC



## ABSOLUTE MAXIMUM RATINGS

These are stress ratings only and functional operation of the device at these ratings or any other above those indicated in the operation sections of the specifications below is not implied. Exposure to absolute maximum rating conditions for extended periods of time may affect reliability.

$V_{LED1}, V_{LED2}, V_{LED3}, V_{LED4}$ and ENABLE Voltage to GND.....	-0.3V to 6V
CTRL Voltage to GND . .....	-0.5V
Output Current ( $I_{OUT}$ ) (SP7611A and 7612A).....	40mA
Output Current ( $I_{OUT}$ ) (SP7614A).....	80mA
Power Dissipation per Package - 6-pin SC-70 at $T_A=85^\circ\text{C}$ .....	190mW
Junction Temperature .....	+150°C
Storage Temperature.....	-55°C to +150°C
ESD Level.....	4kV HBM
ESD Level.....	1kV CDM

## ELECTRICAL SPECIFICATIONS

Specifications are at  $T_A=25^\circ\text{C}$ ,  $V_{IN}=3.3$  to 5.5, ENABLE =  $V_{IN}$ , ♦ denotes the specifications which apply over the full operating temperature range, unless otherwise specified.

PARAMETER	PART #	MIN	TYP	MAX	UNITS	♦	CONDITIONS
LED Cathode Voltage ( $V_{LED}$ )				5.5	V		See graph for LED Current vs. Cathode Voltage
Ambient Temperature		-40	20	85	°C		
Output Current Multiplication Ratio in Saturation (Note1)	SP7611A SP7612A	140	200	260			ISET = 100µA VLED = 300mV
	SP7614A						ISET = 100µA VLED = 150mV
Output Current Multiplication Ratio (Gain) (Note1)	SP7611A SP7612A	365	435	505			ISET = 25µA VLED = 0.5V
	SP7614A	730	870	1010			
LED to LED Current Matching		-3	0.8	3	%	♦	ISET = 100µA VLED = 300mV
Current in OFF Mode			0.01	1	µA	♦	VENABLE = 0.0V
Min. ENABLE "ON Voltage" (Note 2)	SP7612A SP7614A	3			V	♦	ISET = 150µA
Max. ENABLE "OFF Voltage" (Note 2)	SP7612A SP7614A			0.5	V	♦	

Note 1: Output current Multiplication Ratio ( $I_{LED}/I_{SET}$ ) is not linear. For actual ratio and  $I_{LED}$  please refer to typical performance characteristics on pages 4 through 7.

Note 2: ENABLE "ON" is  $V_{ON/OFF}$  where  $I_{LED1} > 20\text{mA}$  @  $V_{LED1} = 0.3\text{V}$ .

ENABLE "OFF" is V where  $I < 1\mu\text{A}$  @  $V > 0.3\text{V}$ .

Note 3. SP7611C/SP7612C/SP7614C are pinout options from SP7611A/SP7612A/SP7614A. All parametric specifications are identical.

**SC70 Package**

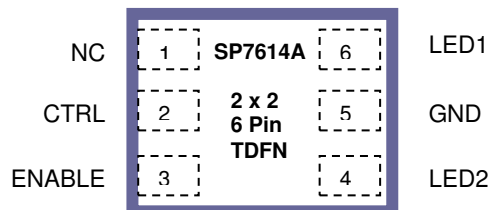
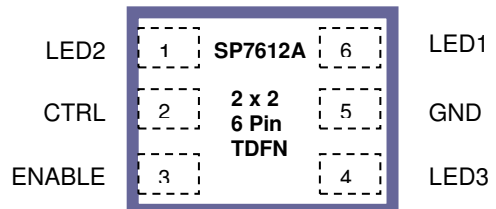
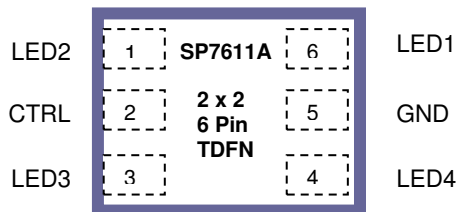
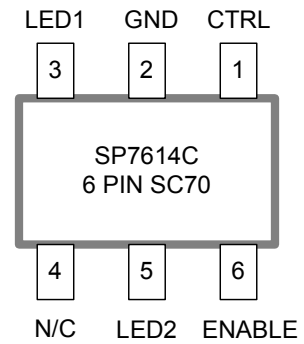
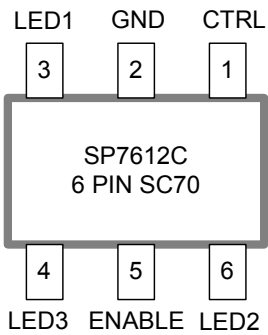
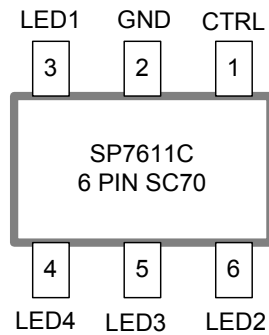
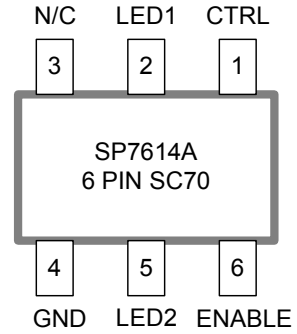
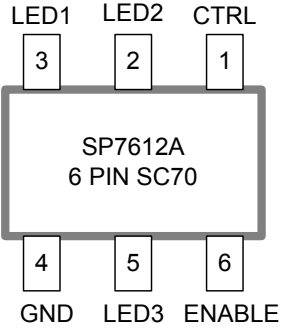
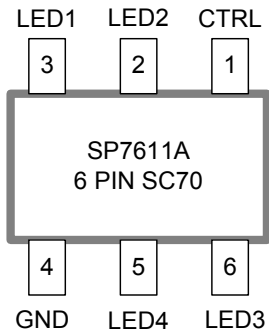
Pin #	Pin Name			DESCRIPTION
	SP7611A	SP7612A	SP7614A	
1	CTRL	CTRL	CTRL	Sets LED Current
2	LED2	LED2	LED1	Connect to Cathode of LED
3	LED1	LED1	NC	Connect to Cathode of LED
4	GND	GND	GND	Ground
5	LED4	LED3	LED2	Connect to Cathode of LED
6	LED3			Connect to Cathode of LED
6		ENABLE	ENABLE	Chip ON/ OFF/ Disable

**SC70 Package**

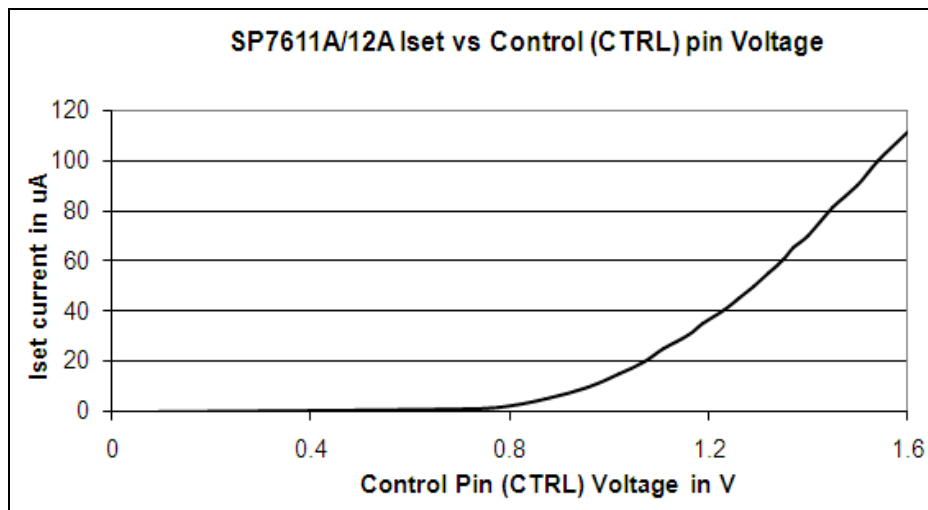
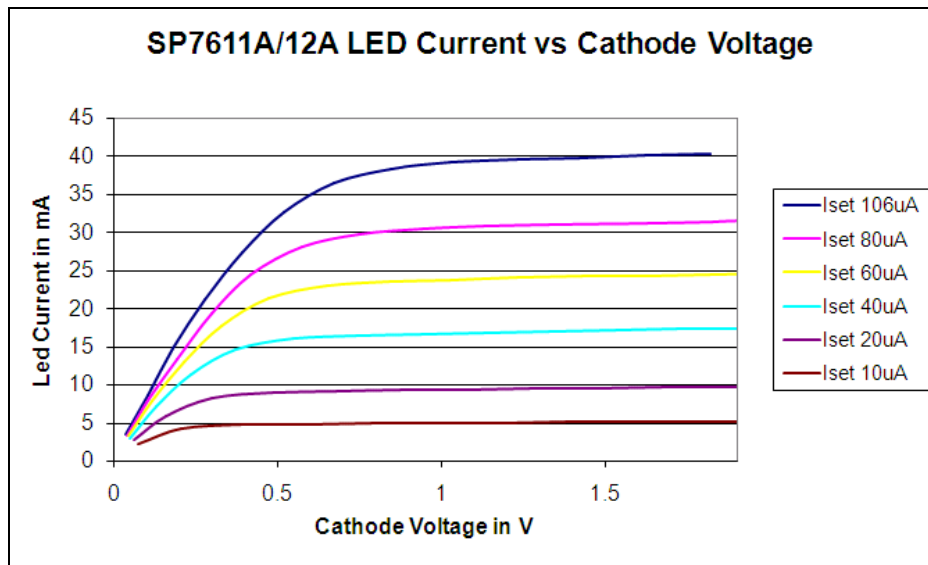
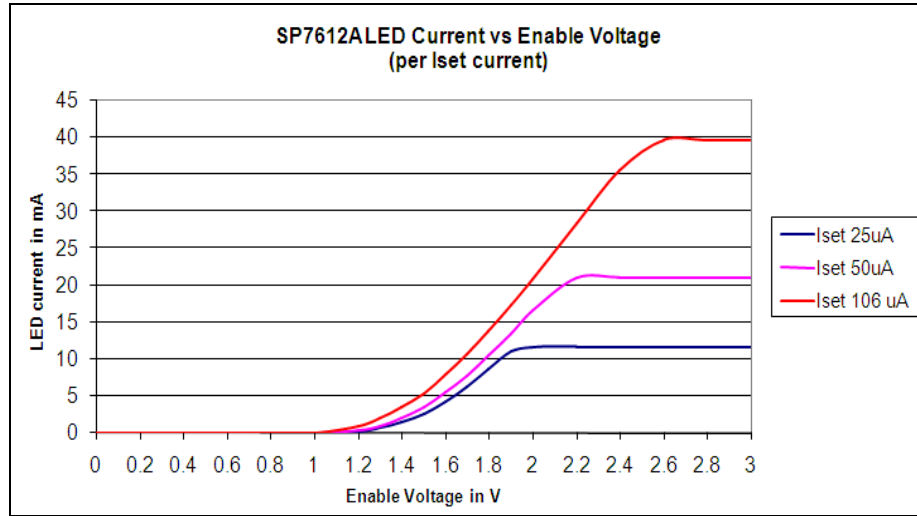
Pin #	Pin Name			DESCRIPTION
	SP7611C	SP7612C	SP7614C	
1	CTRL	CTRL	CTRL	Sets LED Current
2	GND	GND	GND	Ground
3	LED1	LED1	LED1	Connect to Cathode of LED
4	LED4	LED3		Connect to Cathode of LED
4			N/C	No connect can be left open
5	LED3		LED2	Connect to Cathode of LED
5		ENABLE		Chip ON/ OFF/ Disable
6	LED2	LED2		Connect to Cathode of LED
6			ENABLE	Chip ON/ OFF/ Disable

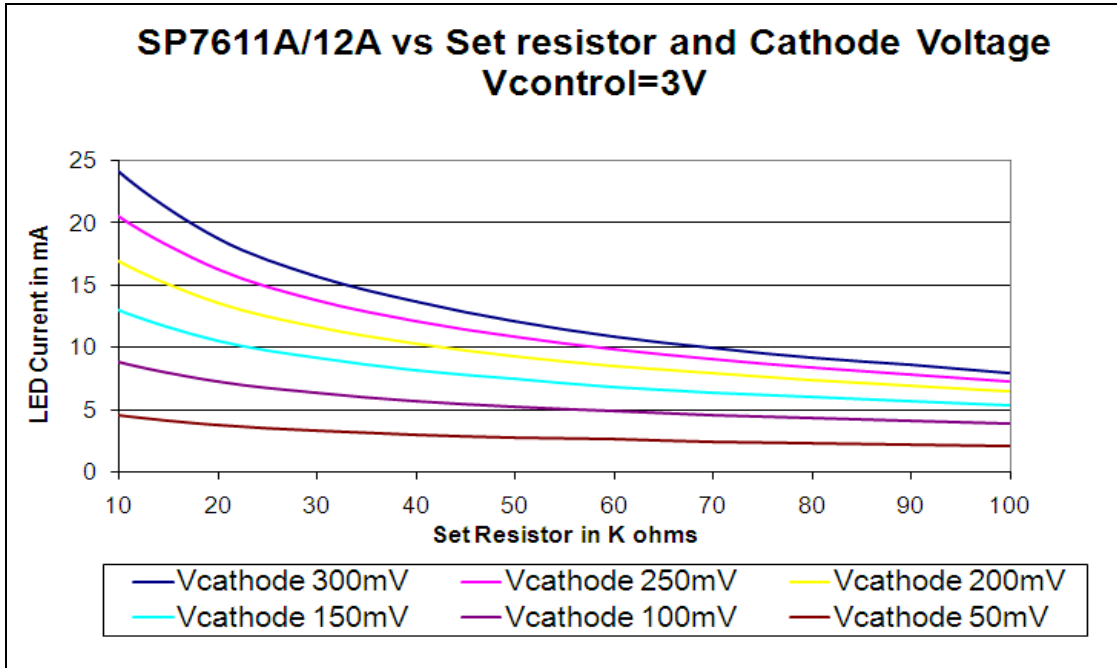
**2X2 TDFN Package**

Pin #	Pin Name			DESCRIPTION
	SP7611A	SP7612A	SP7614A	
1	LED2	LED2	NC	Connect to Cathode of LED
2	CTRL	CTRL	CTRL	Sets LED Current
3	LED3			Connect to Cathode of LED
3		ENABLE	ENABLE	Chip ON/ OFF/ Disable
4	LED4	LED3	LED2	Connect to Cathode of LED
5	GND	GND	GND	GROUND
6	LED1	LED1	LED1	Connect to Cathode of LED

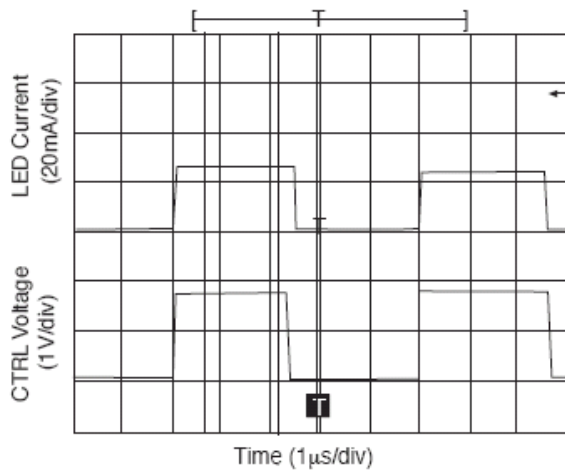


**SP7611A/12A TYPICAL PERFORMANCE CHARACTERISTICS**

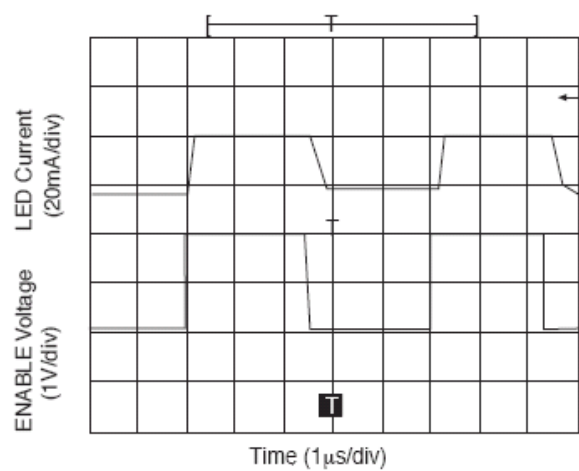


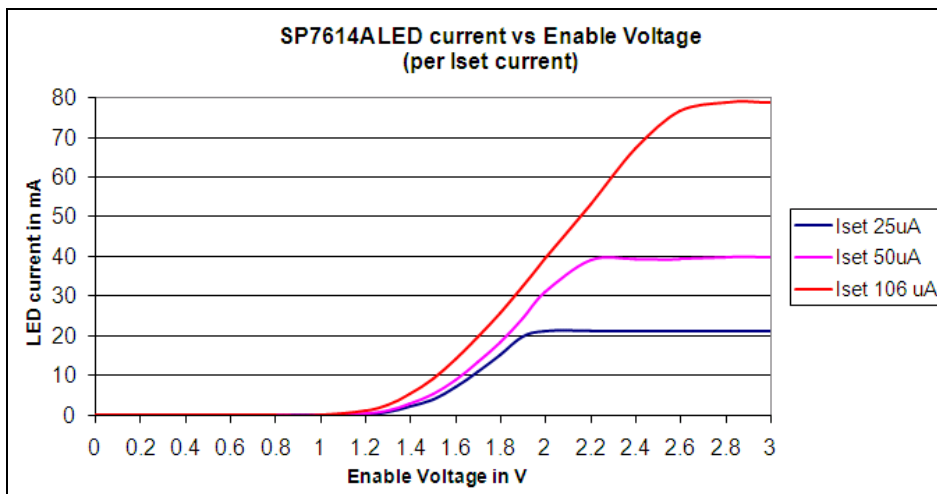
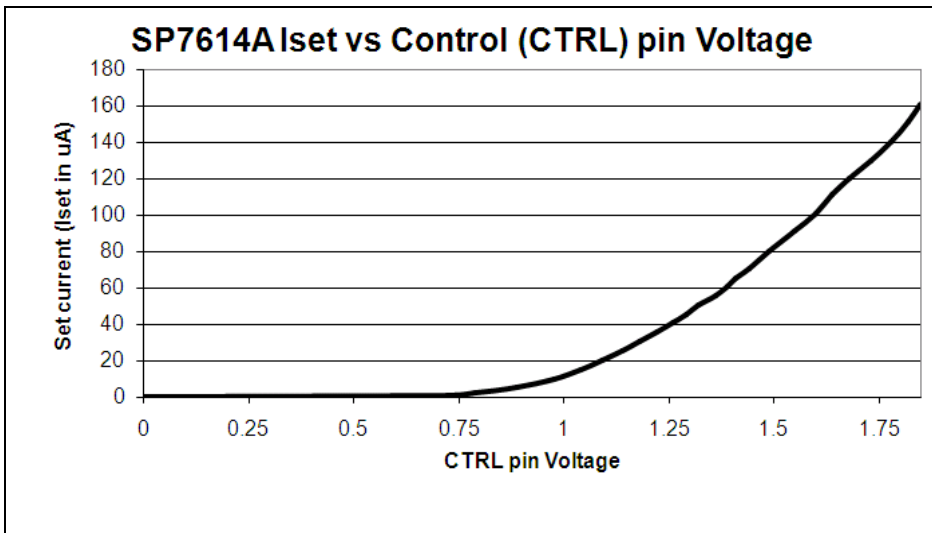
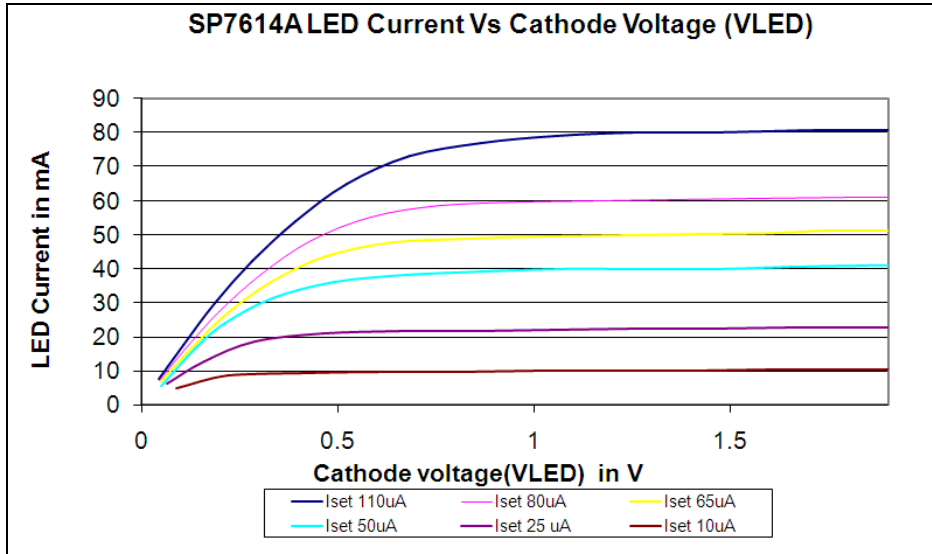


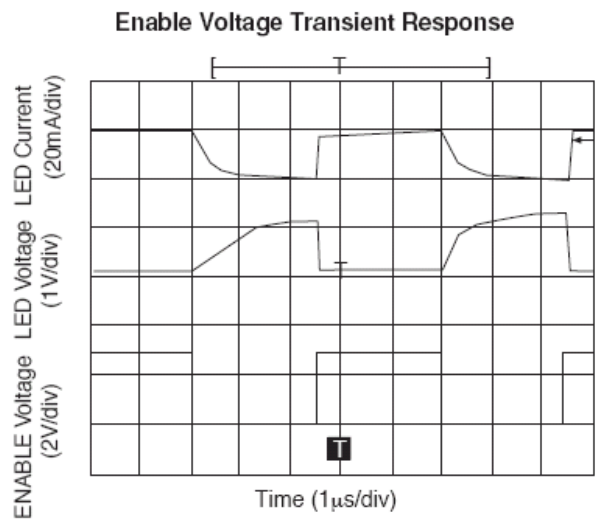
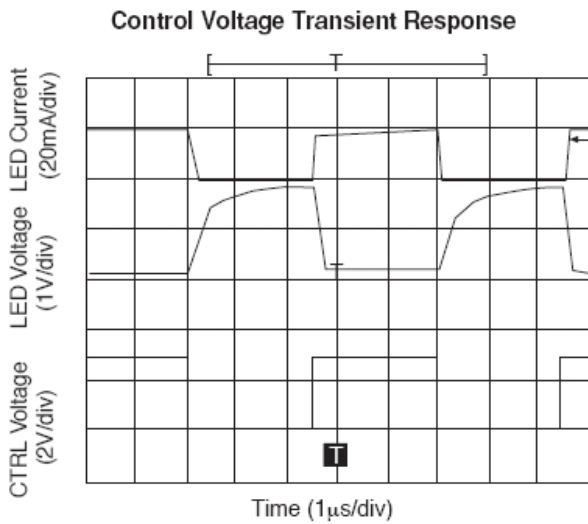
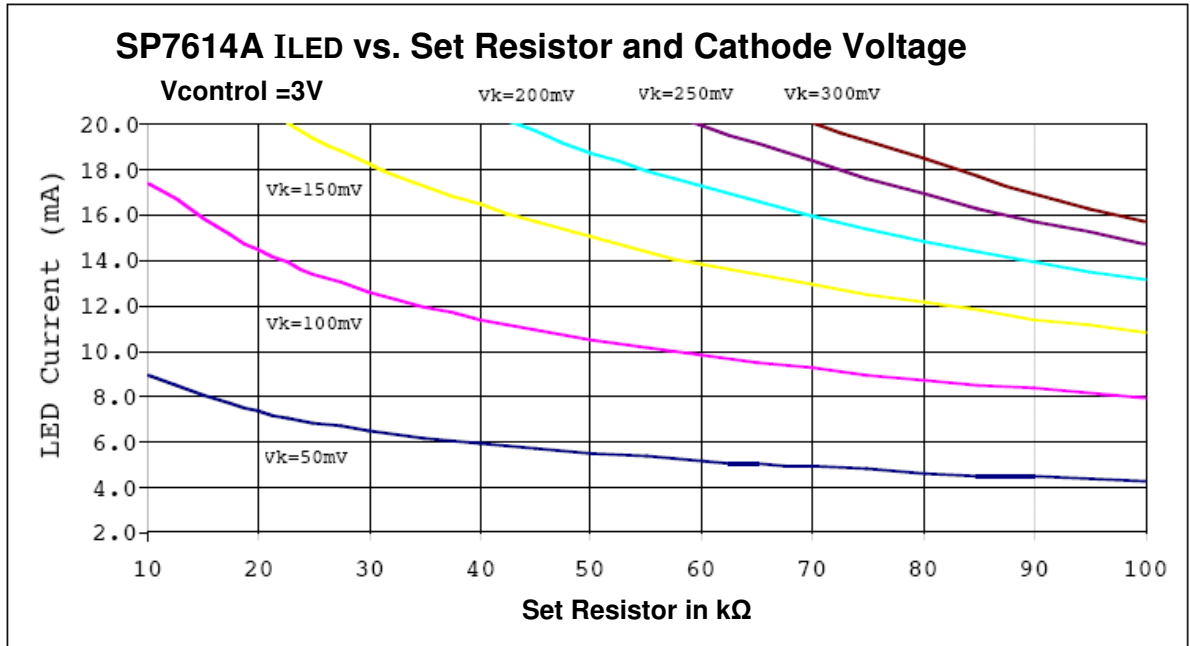
Control Voltage Transient Response



Enable Voltage Transient Response









## Setting the LED Current

The LED current is controlled by ICONTROL and RSET according to the following formula:

$$I_{LED} = \text{Gain} \times (V_{CONTROL} - V_{CTRL}) / R_{SET}$$

Gain depends on mode of operation  
 VCONTROL is the voltage going into RSET  
 VCTRL is the voltage at the pin of the device

The voltage VCTRL can be determined using the ISET vs Control voltage graph located in the typical performance characteristics section. As an example, to set the LED current for an SP761x the procedure is:

Take the LED current and divide it by the Gain to get  $I_{SET} = I_{LED} / \text{Gain}$ .  
 Look up the VCTRL pin voltage using ISET on the graph "Ctrl Current vs. Control Voltage".  
 Once VCTRL is known, use the following formula to find RSET. The gain is not linear, the LED current vs. Cathode voltage graph needs to be used to determine gain. Typically, the gain is ~870 for SP7614A and ~435 for SP7611A/12A when the part is operating in the linear region.

$$R_{SET} = (V_{CONTROL} - V_{CTRL}) / I_{SET}$$

### RSET Example

For an SP7614A with VCONTROL of 3V and LED current of 20mA.

$$I_{SET} = 20\text{mA}/870 \text{ (870 is the typical gain in linear operation)} = 22\mu\text{A}$$

Using the graph on page 5 in the typical performance section, the VCTRL voltage on the control pin will be about 1.1V, then RSET will be determined by:

$$R_{SET} = (3\text{V} - 1.1\text{V}) / 22\mu\text{A}$$

$$R_{SET} = 86\text{K}\Omega$$

## PWM FUNCTION

The LED's brightness can also be adjusted by driving either the ENABLE or the CTRL pin with a PWM signal. The driving signal frequency should be greater than 100Hz to avoid flickering, increasing to more than 1MHz, if necessary.

## Temperature Considerations

LEDs are very sensitive to temperature. In most cases the maximum allowed junction temperature is 100°C. The case of overtemperature due to power dissipation is de-scribed by the following:

$$T_J = T_A + \Theta_{JA} \times I \times V_F$$

where  $T_J$  is the LED junction temperature,  
 $T_A$  is the ambient temperature,  
 $\Theta_{JA}$  is the junction to ambient thermal resistance,  
 $I$  is the LED current and  
 $V_F$  is the LED forward voltage.

When the temperature rises and the cathode voltage increases, SP761X reduces the current through LEDs. Refer to "LED Current vs. LED Cathode Voltage" graph under the Typical Performance Characteristics section.

## Efficiency

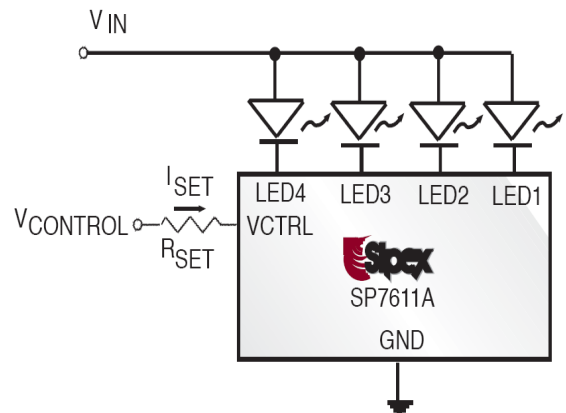
The system efficiency, defined as the ratio between the LED's power and the input supplied power can be calculated as follows:

$$\text{Efficiency} = (V_{IN} - V_{CATHODE}) / V_{IN}$$

The lower the VCATHODE, the higher the system efficiency. Efficiency can be further improved using a higher VIN with more LEDs as shown in example 3. The SP761X driver's low dropout architecture can significantly improve the efficiency compared to using simple ballast resistors.

## Application Information

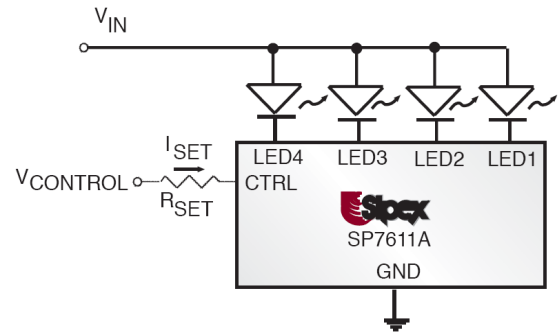
The ultra-low voltage drop across the SP761X series of LED drivers allows the devices to drive white, blue, and other color LEDs in a wide range of input voltages. The driver can be used in many



applications. Any of the SP761X series of LED drivers can be used in the applications presented in this document, due to their similar operation.

**Example 1:  
Drive low VF white or blue LEDs directly from single cell Li-Ion**

When using white or blue low VF LEDs, and utilizing the driver's low voltage drop, only 3.4V VIN is needed for the full 20mA LED current. At 3.1V, there is still 5mA of typical current available for the LEDs.



The single cell Li-Ion battery is utilized in many applications like cell phones or digital still cameras. In most cases, the Li-Ion battery voltage level only goes down to 3.0V, and not down to the full discharge level (2.7V) before requesting the charger.

$V_{DROP} < 0.3V$ . This is the dropout voltage for the SP7611A.

- $V_F = 3.1V$ . Low VF white LED forward voltage drop
- $V_{IN}$  (at 20mA) needs to be greater than  $(V_{DROP} + V_F)$   
 $3.1V + 0.3V = 3.4V$

**Key Advantages**

- 1) No boost circuit needed for the LCD or keyboard backlight.
- 2) Drivers directly connected to a Li-Ion battery.
- 3) No EMI, no switching noise, no boost converter efficiency loss, 1 capacitor, and no inductor.

**Example 2:  
Drive high VF white or blue LEDs from existing bus ~ 4.0V to 5.5V**

High VF LEDs have a forward voltage drop in the range of 3.2V to 4.0V. In order to drive these LEDs with the maximum current of 20mA, enabling maximum brightness usually requires a boost circuit for a single cell Li-Ion power supply. The SP761X series is capable of driving high VF white or blue LEDs with its ultra-low dropout feature. The VIN needs to be only 300mV higher than the highest VF in the circuit.

- $V_{DROP} < 0.3V$ . Dropout voltage of the SP7611A
- $V_F$  (at 20mA)  $< 3.3V$  to  $4.0V$  (High VF)
- $V_{IN}$  (at 20mA) =  $V_{DROP} + V_F = 3.6V$  to  $4.3V$
- $V_{IN}$  (at 5mA typical)  $\sim 3.3V$

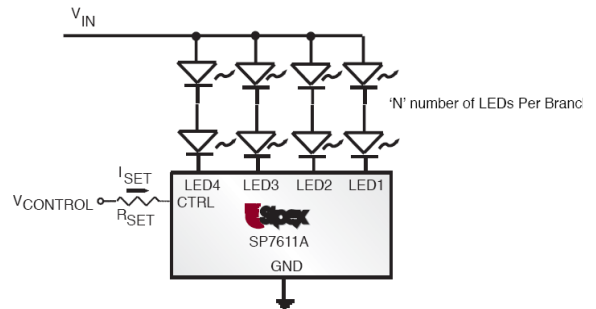
Where  $V_{IN}$  = Existing bus = 3.3V to 4.3V

**Key Advantages**

- 1) No boost circuit needed for the LCD or keyboard backlight.
- 2) Drivers utilize existing bus.
- 3) Ultra-low voltage drop provides the full 20mA LED current at the lowest possible voltage level.

**Example 3:  
Drive white, blue, red, amber LED string**

In a boost circuit, or existing voltage bus, the SP761X series of LED drivers can be used to drive a whole string of LEDs and achieve flexible brightness control - whether using analog or PWM.



$V_{DROP} = 0.3V$ . Dropout voltage of the SP7611A

- $V_{IN\_MIN} = N \times V_F + V_{DROP}$
- $V_{IN\_MIN} = N \times V_F + 0.3V$

Where  $V_{IN\_MIN}$  = Existing bus, boost Voltage  
 'N' number of LEDs Per Branch  
 $V_F$  = Forward voltage of the LED

**Key Advantages**

- 1) No need for current matching resistors and discrete transistors for brightness control.

**LED Brightness Control**

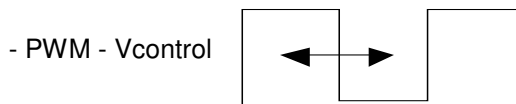
The SP761X LED Drivers feature analog and PWM controls to give designers flexible brightness control. To determine the value of RSET , use the "ISET vs. VCRTL" graph under the Typical Performance Characteristics.

1. SP761X/A

- **Analog using VCONTROL**

Set VCONTROL and RSET for LED current

SETTING THE LED CURRENT – page 8

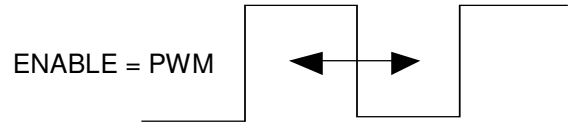


-Amplitude of PWM signal sets maximum LED current

-Pulse width controls current between 0 and maximum LED Set current

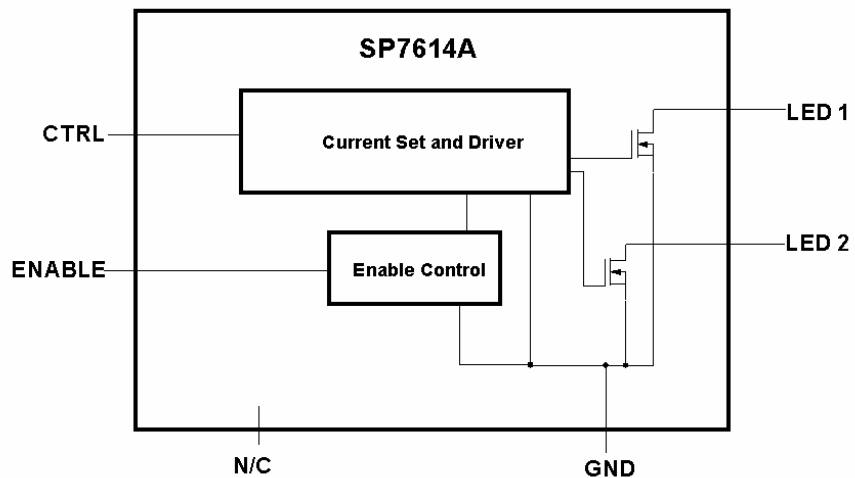
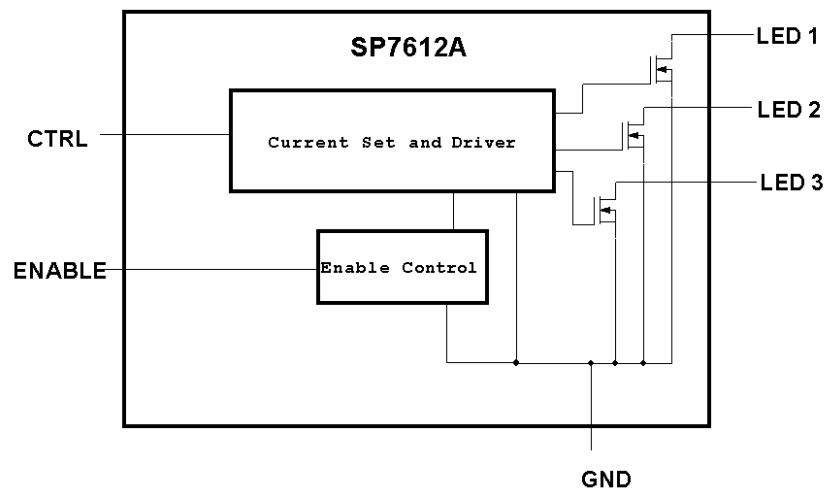
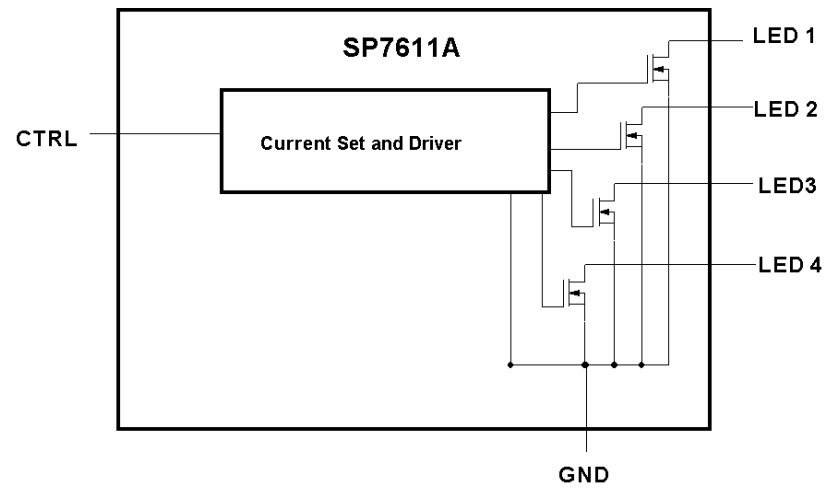
- **PWM using Enable**

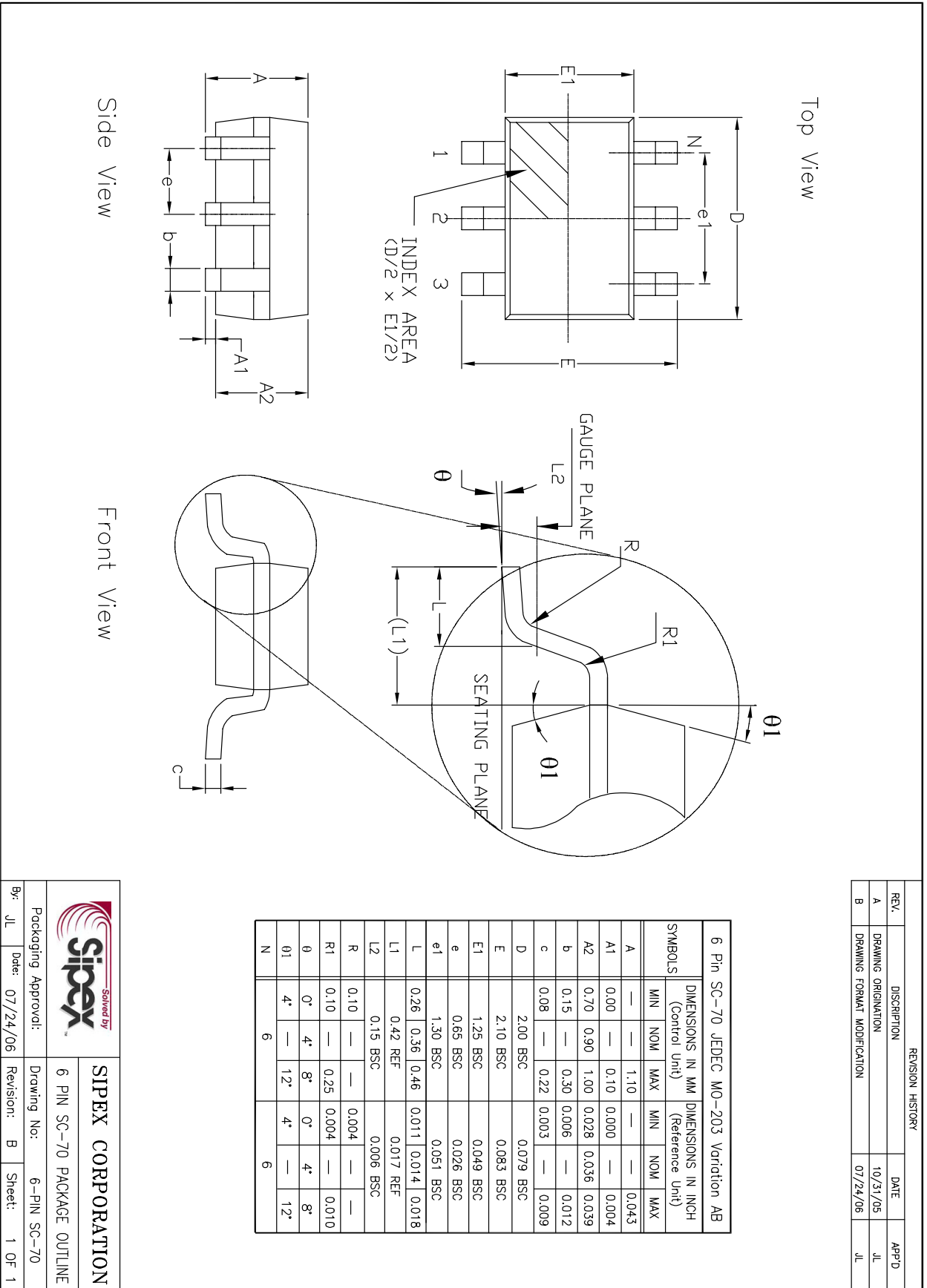
- Set VCONTROL and RSET for LED current  
SETTING THE LED CURRENT – page 6



-Amplitude has no effect on current

-Pulse width controls current between 0 and maximum LED set current





REVISION HISTORY			
REV.	DISCRIPTION	DATE	APP'D
A	DRAWING ORIGINATION	10/31/05	JL
B	DRAWING FORMAT MODIFICATION	07/24/06	JL

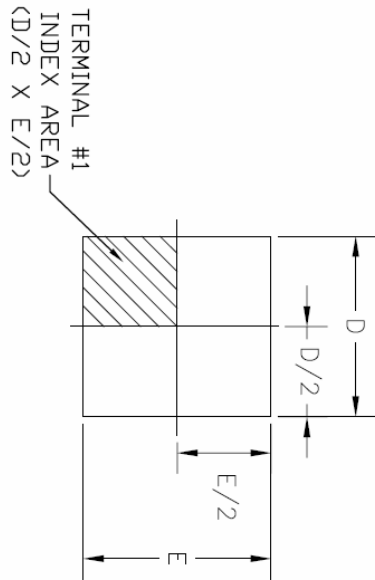
**SIPLEX CORPORATION**  
Solved by **Sipex**

6 PIN SC-70 PACKAGE OUTLINE

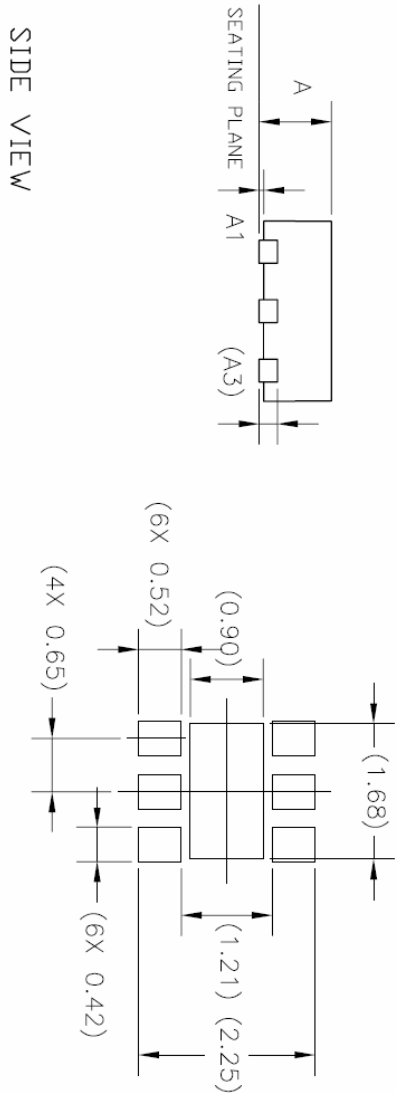
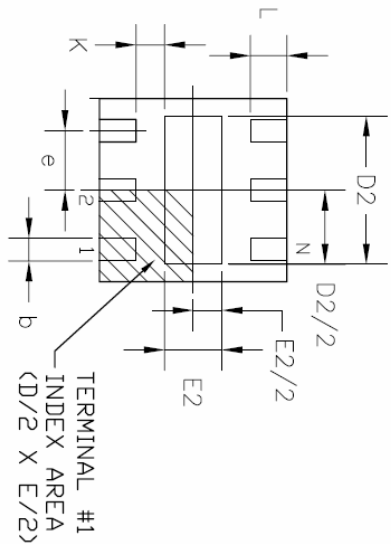
Packaging Approval: \_\_\_\_\_ Drawing No: 6-PIN SC-70

By: JL Date: 07/24/06 Revision: B Sheet: 1 OF 1

TOP VIEW



BOTTOM VIEW



6LD 2x2 THIN DFN JEDEC MO-229 Variation WCDD-4									
SYMBOLS	DIMENSIONS IN MM (Control Unit)				DIMENSIONS IN INCH (Reference Unit)				
	MIN	NOM	MAX		MIN	NOM	MAX		MAX
A	0.70	0.75	0.80	0.028	0.030	0.031			
A1	0.00	0.02	0.05	0.000	0.001	0.002			
A3	0.20 REF			0.008 REF					
b	0.20	0.25	0.30	0.007	0.010	0.012			
D	2.00 BSC			0.079 BSC					
D2	1.35	1.40	1.45	0.053	0.055	0.057			
E	2.00 BSC			0.079 BSC					
E2	0.75	0.80	0.85	0.030	0.031	0.033			
e	0.65 BSC			0.026 BSC					
L	0.30	0.35	0.40	0.012	0.014	0.016			
K	0.20	—		0.008	—				
N	—			—					
ND	3			3					

LAND PATTERN RECOMMENDATION

REVISION HISTORY			
REV	DISCRPTION	DATE	APP'D
A	DRAWING ORIGINATION	02/21/07	JL

**Sipex** Solved by

**SIPEX CORPORATION**

6 PIN 2x2 TDFN PACKAGE OUTLINE

Packaging Approval: \_\_\_\_\_ Drawing No: 6-PIN 2x2 TDFN

By: JL Date: 02/21/07 Revision: A Sheet: 1 OF 1

## ORDERING INFORMATION

Part Number	Temperature Range	Package	RoHS	Pack Type	Pack Quantity	Status
SP7611AEC6-L	-40°C to +85°C	6 Pin SC70	Yes	Canister	Any	Active
SP7611AEC6-L/TR	-40°C to +85°C	6 Pin SC70	Yes	Tape & Reel	3000	Active
SP7611AER6-L	-40°C to +85°C	6 Pin 2x2 TDFN	Yes	Canister	Any	Active
SP7611AER6-L/TR	-40°C to +85°C	6 Pin 2x2 TDFN	Yes	Tape & Reel	3000	Active
SP7612AEC6-L	-40°C to +85°C	6 Pin SC70	Yes	Canister	Any	Active
SP7612AEC6-L/TR	-40°C to +85°C	6 Pin SC70	Yes	Tape & Reel	3000	Active
SP7612AER6-L	-40°C to +85°C	6 Pin 2x2 TDFN	Yes	Canister	Any	Active
SP7612AER6-L/TR	-40°C to +85°C	6 Pin 2x2 TDFN	Yes	Tape & Reel	3000	Active
SP7614AEC6-L	-40°C to +85°C	6 Pin SC70	Yes	Canister	Any	Active
SP7614AEC6-L/TR	-40°C to +85°C	6 Pin SC70	Yes	Tape & Reel	3000	Active
SP7614AER6-L	-40°C to +85°C	6 Pin 2x2 TDFN	Yes	Canister	Any	Active
SP7614AER6-L/TR	-40°C to +85°C	6 Pin 2x2 TDFN	Yes	Tape & Reel	3000	Active
SP7611CEC6-L	-40°C to +85°C	6 Pin SC70	Yes	Canister	Any	Active
SP7611CEC6-L/TR	-40°C to +85°C	6 Pin SC70	Yes	Tape & Reel	3000	Active
SP7612CEC6-L	-40°C to +85°C	6 Pin SC70	Yes	Canister	Any	Active
SP7612CEC6-L/TR	-40°C to +85°C	6 Pin SC70	Yes	Tape & Reel	3000	Active
SP7614CEC6-L	-40°C to +85°C	6 Pin SC70	Yes	Canister	Any	Active
SP7614CEC6-L/TR	-40°C to +85°C	6 Pin SC70	Yes	Tape & Reel	3000	Active
SP7611AEC6	-40°C to +85°C	6 Pin SC70	No	Canister	Any	EOL
SP7611AEC6/TR	-40°C to +85°C	6 Pin SC70	No	Tape & Reel	3000	EOL
SP7612AEC6	-40°C to +85°C	6 Pin SC70	No	Canister	Any	EOL
SP7612AEC6/TR	-40°C to +85°C	6 Pin SC70	No	Tape & Reel	3000	EOL
SP7614AEC6	-40°C to +85°C	6 Pin SC70	No	Canister	Any	EOL
SP7614AEC6/TR	-40°C to +85°C	6 Pin SC70	No	Tape & Reel	3000	EOL

For further assistance:

Email: [Sipexsupport@sipex.com](mailto:Sipexsupport@sipex.com)  
 WWW Support page: <http://www.sipex.com/content.aspx?p=support>  
 Sipex Application Notes: <http://www.sipex.com/applicationNotes.aspx>



### Sipex Corporation

Headquarters and  
 Sales Office  
 233 South Hillview Drive  
 Milpitas, CA95035  
 tel: (408) 934-7500  
 FAX: (408) 935-7600

Sipex Corporation reserves the right to make changes to any products described herein. Sipex does not assume any liability arising out of the application or use of any product or circuit described herein; neither does it convey any license under its patent rights nor the rights of others.