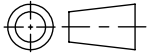
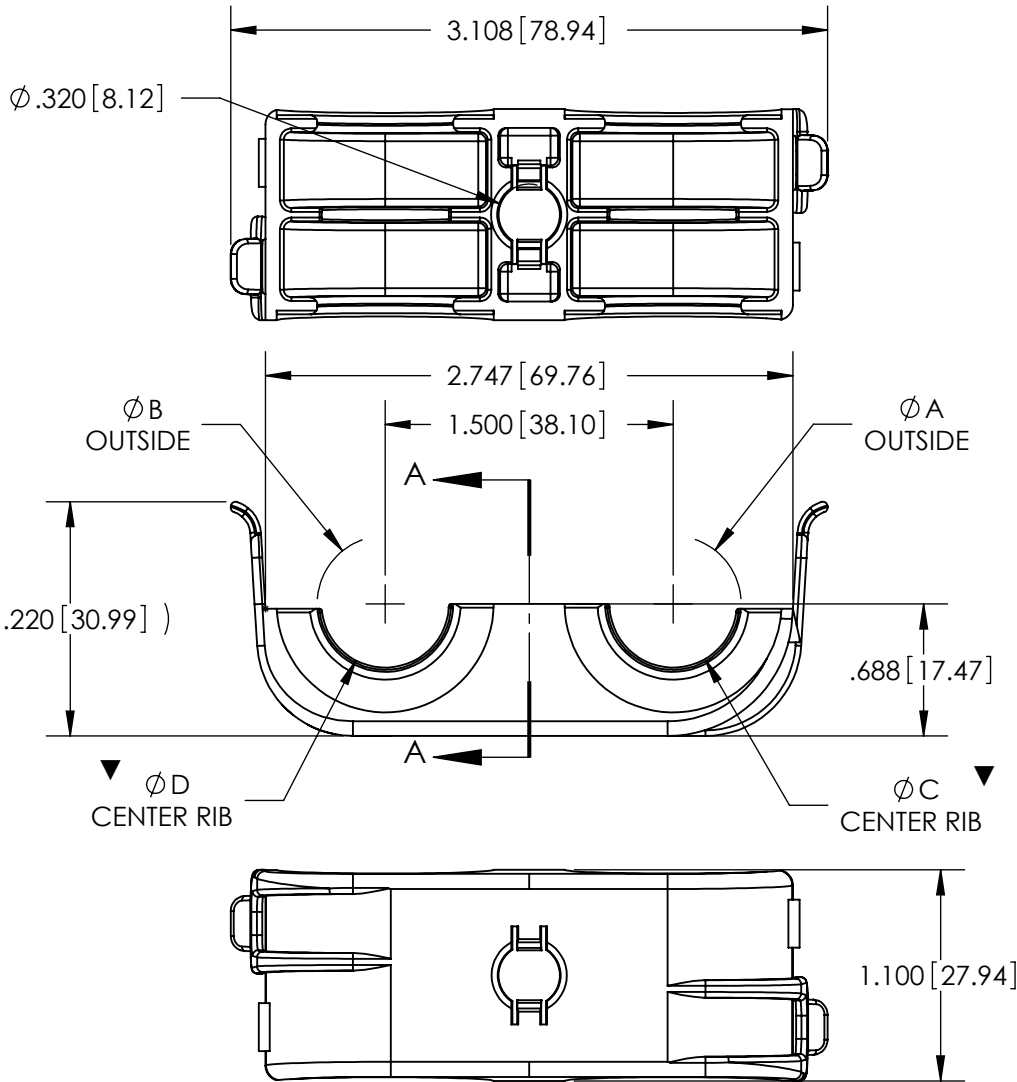


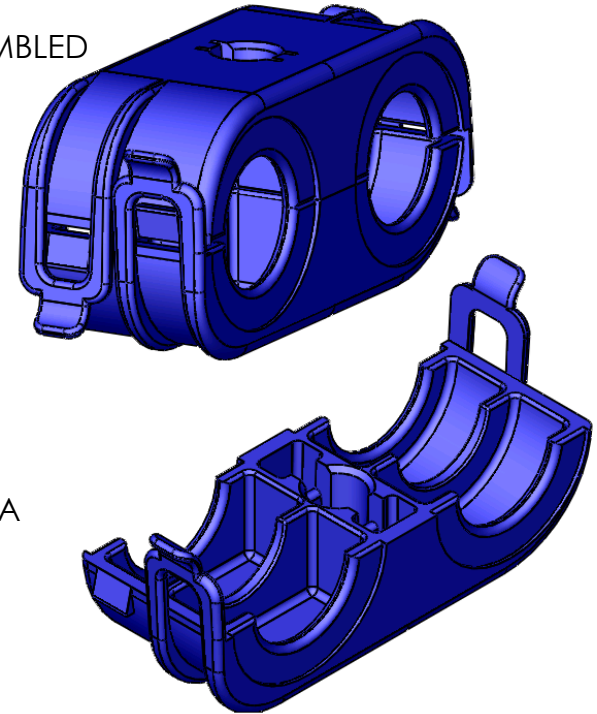
SW2011



Revision level		Revision Record	Changed	Date	Approved	Date
Drawing	Part					
02	-	SEE ECN# 012258	CJR	07/31/2012	MHT	01/10/2013



ASSEMBLED



SECTION A-A

TYPE	ϕA	ϕB	ϕC ▼	ϕD ▼
HC2A	$\frac{1.000}{[25.40]}$	$\frac{1.000}{[25.40]}$	$\frac{.960}{[24.38]}$	$\frac{.960}{[24.38]}$
HC2B	$\frac{.725}{[18.42]}$	$\frac{.725}{[18.42]}$	$\frac{.685}{[17.40]}$	$\frac{.685}{[17.40]}$
HC2C	$\frac{1.000}{[25.40]}$	$\frac{.725}{[18.42]}$	$\frac{.960}{[24.38]}$	$\frac{.685}{[17.40]}$
HC2D	$\frac{1.000}{[25.40]}$	$\frac{.690}{[17.53]}$	$\frac{.960}{[24.38]}$	$\frac{.650}{[16.51]}$
HC2E	$\frac{.513}{[13.03]}$	$\frac{.513}{[13.03]}$	$\frac{.600}{[15.24]}$	$\frac{.600}{[15.24]}$

▼ = CRITICAL DIMENSION

Material
PA66HIRGF13

Units: inches
Dimension without tolerances details to:
.xxxx = ±.0005
.xxx = ±.005
.xx = ±.01
.x = ±.03
None = ±.06
∠ = ±0.5°
Dimension Formatted in [mm]

The copyright of this drawing is reserved by HellermannTyton. It is issued on condition that it is not reproduced, copied, or disclosed to a third party, either wholly or in part, without the consent of HellermannTyton.

Drawn MHT 01/12/2012

Approved

HellermannTyton

North America
Email: corp@htamericas.com
Web: www.hellermann.tyton.com

Article/Type-No SEE CHART \triangle_{02}

Title HC2 HOSE CLAMPS

Drawing-No Production : Phase

11-0740-001-CSU

Scale 1:1

Project Number

PRP 11-0740

Format AH

Sheet 1/1