

Reduced Flange 38999 Jam Nut Receptacles

Derived connector from MIL-DTL-38999 Series III



Description

Where Small Dimensions & Lower Weight are critical ...

Main Features

- Derived from MIL-DTL-38999 series III version
- For Jam Nut Receptacles (TV07/TVS07)
- Higher density on panel **41% average footprint surface reduction**
- Lighter: **20% average lighter than standard 38999 stand off receptacle**
- Mates with standard MIL-DTL-38999 series III plugs and caps
- Matches MIL-DTL-38999 series III performances
- Available in Crimp version, with PC Tail contacts, and in Stand Off version
- Reduced Flange Deviation (to be added at the end of your part number):
 - **F312** for Crimp and Standard PC Tail versions (F311 with safety castle nut*)
 - **F059** for Stand Off PC Tail versions (F058 with safety castle nut*)

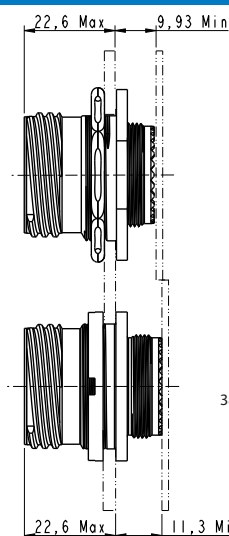


with
standard
castle nut

* with
safety
castle nut

Smaller Dimensions

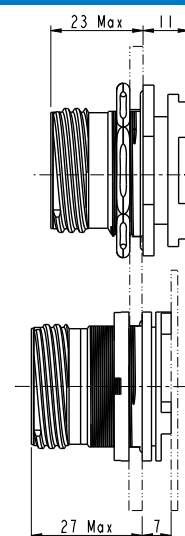
LENGTH



38999 Standard

38999 Reduced Flange
F312

Increase of internal length by 1,37 mm



38999 Standard Stand Off

38999 Stand Off Reduced Flange
F059

Reduction of internal length by 4mm and increase of external length by 4mm

Markets & Applications



C4ISR, Battlefield, Ground vehicles



Missiles & UAVs



Avionics



Navy



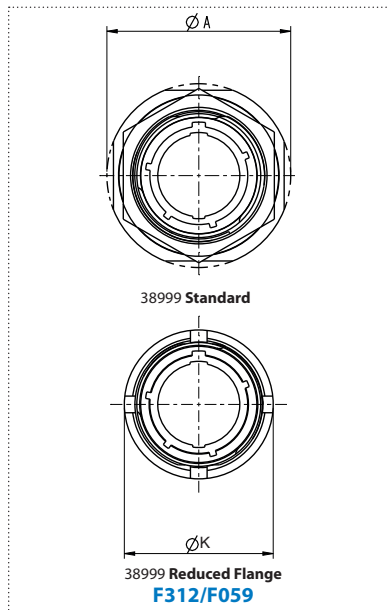
Applications :

- › Ethernet Switches
- › Tactical Radios, Computers

Reduced Flange 38999 Jam Nut Receptacles

Footprint Saving

Average 41% footprint reduction:



Shell Sizes	38999 standard diameter ØA max (mm)	38999 Reduced Flange (F312 & F059) diameter ØK max (mm)	Footprint reduction 38999 Standard vs 38999 Reduced Flange
9	30,5	22,1	47%
11	35,2	25,1	49%
13	38,4	28,1	46%
15	41,6	32,1	40%
17	44,8	36,1	35%
19	49,5	38,1	41%
21	52,7	41,1	39%
23	55,9	44,1	38%
25	59	48,1	34%

Weight Saving

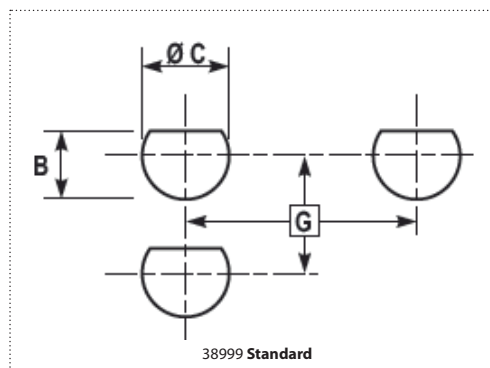
Average 20% weight reduction:

Examples :

38999 Series III stand off version: TV07WCI15-35P F459 = 40,7 g

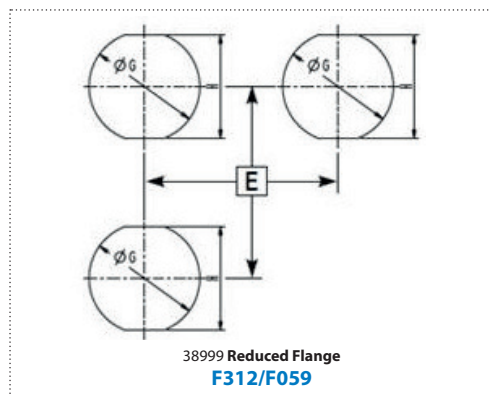
38999 Series III Reduced flange stand off version : TV07WCI15-35P F059 = 32,7 g

Panel Dimension



Sizes	38999 Standard		
	G	ØC ^{+0,25} / ₀	B ⁰ / _{0,25}
9	27,80	17,60*	16,70*
11	32,60	20,96*	19,59*
13	36,00	25,65*	24,26*
15	39,60	28,83*	27,56*
17	43,30	32,01*	30,73*
19	47,00	35,18*	33,91*
21	50,60	38,35*	37,08*
23	54,20	41,53*	40,26*
25	59,70	44,70*	43,43*

*tolerance is +0,10 / -0,06 for size A/9

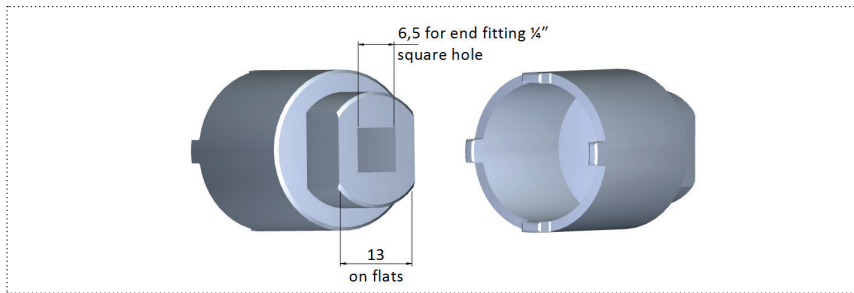


Sizes	38999 Reduced Flange		
	E min	ØG ^{+0,1} / ₀	H ^{+0,1} / ₀
9	23,8	17	16
11	27,0	20	19,1
13	31,4	23	22,3
15	34,5	27	25,5
17	37,7	31	30,3
19	40,5	33	31,9
21	43,7	36	35,1
23	46,9	39	38,3
25	51,0	43	41,5

Reduced Flange 38999 Jam Nut Receptacles

Tools

Need of a specific tool for castle nut :



Sizes	Tools Part Number
9	809681
11	809682
13	809683
15	809684
17	809685
19	809686
21	809687
23	809688
25	809689

How to order

Series	TV	07	R	W	-	11-35	P	A	-	F312	-
TV: Metallic shell											
Shell type 07: Jam nut receptacle (O.D.cadmium, black zinc nickel) S07: Jam nut receptacle (nickel, bronze)											
Contact type R: Crimp contacts (or connector delivered without contact) Blank for PC tail contacts and black zinc nickel plating											
Class W: Olive Drab Cadmium Plating (on aluminum) F: Nickel Plating (on aluminum) ✓ B: Marine Bronze ✓ ZN: Black Zinc Nickel Plated (on aluminum) ✓											
PC Tail Contacts Blank for crimp contacts CI: standard PCB contacts LI: long tail PCB contacts											
Shell size and Contact arrangement Please consult TV-CTV catalogue - Arrangement chapter											
Contact type P: Pin S: Socket											
Polarization Blank for neutral or A, B, C, D, E											
Contacts Blank for connectors delivered with contacts LC: Connector delivered without contacts											
Deviation F312: Crimp or standard PC Tail Reduced Flange F059: Stand off PC Tail Reduced Flange F311: Crimp or standard PC Tail Reduced Flange with safety castle nut F058: Stand off PC Tail Reduced Flange with safety castle nut											
Blank for Gold plated Crimp contacts Blank for Lead Tin PC Tails contacts LF: Silver Tin PC Tail contacts ✓ LFC: Silver Tin Copper PC Tail contacts ✓											

Examples: TV07RW1135PAF312 ; TV07WC11135PAF059LF.

✓: RoHS compliant

