

# Dual Monolithic 300mA Synchronous Step-Down Regulator

## FEATURES

- High Efficiency (Up to 96%) Dual Step-Down Outputs
- 300mA Output Current per Channel at  $V_{IN} = 3V$
- 2.25MHz Constant-Frequency Operation
- 2.5V to 5.5V Input Voltage Range
- Low Dropout Operation: 100% Duty Cycle
- No Schottky Diodes Required
- Internally Compensated for All Ceramic Capacitors
- Independent Internal Soft-Start for Each Channel
- Available in Fixed Output Versions
- Current Mode Operation for Excellent Line and Load Transient Response
- 0.6V Reference Allows Low Output Voltages
- Short-Circuit Protected
- Ultralow Shutdown Current:  $I_Q < 1\mu A$
- Low Profile (0.75mm) 8-Lead 3mm × 2mm DFN Package

## APPLICATIONS

- Cellular Telephones
- Digital Still Cameras
- Wireless and DSL Modems
- Portable Media Players
- PDAs/Palmtop PCs

## DESCRIPTION

The LTC<sup>®</sup>3547B is a dual, 2.25MHz, constant-frequency, synchronous step-down DC/DC converter in a tiny 3mm × 2mm DFN package. 100% duty cycle provides low dropout operation, extending battery life in portable systems. Low output voltages are supported with the 0.6V feedback reference voltage. Each regulator can supply 300mA continuous output current.

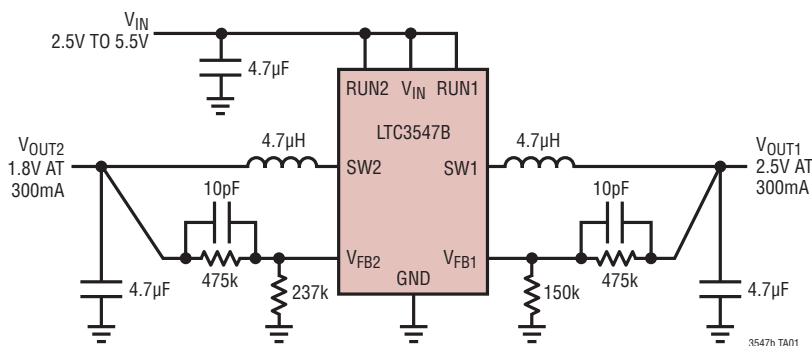
The input voltage range is 2.5V to 5.5V, making it ideal for Li-Ion polymer and USB powered applications. Supply current is only 1 $\mu$ A in shutdown.

An internally set 2.25MHz switching frequency allows the use of tiny surface mount inductors and capacitors. Internal soft-start reduces inrush current during start-up. All outputs are internally compensated to work with ceramic capacitors. The LTC3547B is available in a low profile (0.75mm) 3mm × 2mm DFN package. The LTC3547B is also available in a fixed output voltage configuration selected via internal resistor dividers (see Table 2).

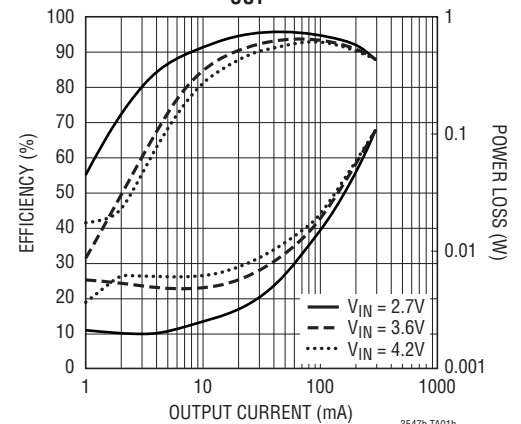
LT, LTC and LTM are registered trademarks of Linear Technology Corporation. Burst Mode is a registered trademark of Linear Technology Corporation. All other trademarks are the property of their respective owners. Protected by U.S. Patents, including 6580258, 5481178, 6304066, 6127815, 6498466, 6611131.

## TYPICAL APPLICATION

Dual Monolithic Buck Regulator in 8-Lead 3mm × 2mm DFN



Efficiency vs Output Current  
for  $V_{OUT} = 2.5V$



3547b TA01b

3547bfb

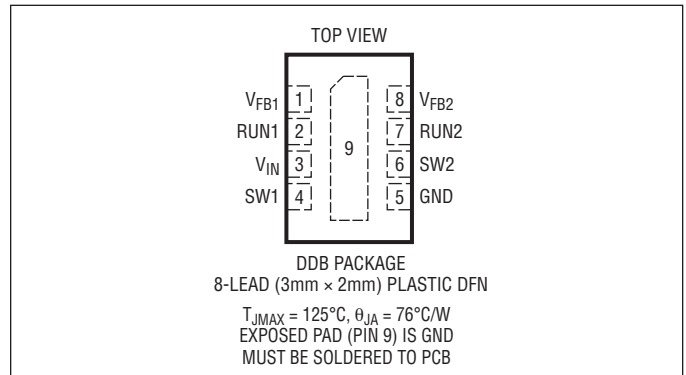
# LTC3547B

## ABSOLUTE MAXIMUM RATINGS

(Note 1)

|  |                 |                          |
|--|-----------------|--------------------------|
| $V_{IN}$                                     | LTC3547BE ..... | -0.3V to 6V              |
|  | LTC3547BI ..... | -0.3V to 7V              |
| $V_{FB1}, V_{FB2}$                           | .....           | -0.3V to $V_{IN} + 0.3V$ |
| RUN1, RUN2                                   | .....           | -0.3V to $V_{IN} + 0.3V$ |
| SW1, SW2 (DC)                                | .....           | -0.3V to $V_{IN} + 0.3V$ |
| P-Channel Switch Source Current (DC)         | .....           | 500mA                    |
| N-Channel Switch Sink Current (DC)           | .....           | 500mA                    |
| Peak SW Sink and Source Current (Note 5)     | .....           | 700mA                    |
| Ambient Operating Temperature Range (Note 2) |                 |                          |
|  | LTC3547BE ..... | -40°C to 85°C            |
|  | LTC3547BI ..... | -40°C to 125°C           |
| Maximum Junction Temperature                 | .....           | 125°C                    |
| Storage Temperature Range                    | .....           | -65°C to 125°C           |

## PIN CONFIGURATION



## ORDER INFORMATION

| LEAD FREE FINISH   | TAPE AND REEL        | PART MARKING* | PACKAGE DESCRIPTION            | TEMPERATURE RANGE |
|--------------------|----------------------|---------------|--------------------------------|-------------------|
| LTC3547BEDDB#PBF   | LTC3547BEDDB#TRPBF   | LCPD          | 8-Lead (3mm x 2mm) Plastic DFN | -40°C to 85°C     |
| LTC3547BEDDB-1#PBF | LTC3547BEDDB-1#TRPBF | LCPF          | 8-Lead (3mm x 2mm) Plastic DFN | -40°C to 85°C     |
| LTC3547BIDDB #PBF  | LTC3547BIDDB #TRPBF  | LCPD          | 8-Lead (3mm x 2mm) Plastic DFN | -40°C to 125°C    |

Consult LTC Marketing for parts specified with wider operating temperature ranges. \*Temperature grades are identified by a label on the shipping container. Consult LTC Marketing for information on non-standard lead based finish parts.

For more information on lead free part marking, go to: <http://www.linear.com/leadfree/>

For more information on tape and reel specifications, go to: <http://www.linear.com/tapeandreel/>

## ELECTRICAL CHARACTERISTICS

The ● denotes the specifications which apply over the full operating temperature range, otherwise specifications are at  $T_A = 25^{\circ}C$ .  $V_{IN} = 3.6V$ , unless otherwise noted.

| SYMBOL       | PARAMETER                                | CONDITIONS  | MIN   | TYP   | MAX   | UNITS |
|--------------|--|---|-------|-------|-------|-------|
| $V_{IN}$     | $V_{IN}$ Operating Voltage               | LTC3547BE, LTC3547BE-1, ●                               | 2.5   | 5.5   | 5.5   | V     |
|              |  | LTC3547BI ●   | 2.5   | 6.5   | 6.5   | V     |
| $V_{UV}$     | $V_{IN}$ Undervoltage Lockout            | $V_{IN}$ Low to High ●                                  |       | 2.2   | 2.5   | V     |
| $I_{FB}$     | Feedback Pin Input Current               | LTC3547BE, $V_{FB} = V_{FBREG}$ ●                       |       |       | ±30   | nA    |
|              |  | LTC3547BE-1, $V_{FB} = V_{FBREG}$ ●                     |       | 3     | 6     | μA    |
| $V_{FBREG1}$ | Regulated Feedback Voltage ( $V_{FB1}$ ) | LTC3547BE, $0^{\circ}C \leq T_A \leq 85^{\circ}C$ ●     | 0.590 | 0.600 | 0.610 | V     |
|              |  | LTC3547BE, $-40^{\circ}C \leq T_A \leq 85^{\circ}C$ ●   | 0.588 | 0.600 | 0.612 | V     |
|              |  | LTC3547BI, $-40^{\circ}C \leq T_A \leq 125^{\circ}C$ ●  | 0.588 | 0.600 | 0.612 | V     |
|              |  | LTC3547BE-1, $0^{\circ}C \leq T_A \leq 85^{\circ}C$ ●   | 1.770 | 1.800 | 1.830 | V     |
|              |  | LTC3547BE-1, $-40^{\circ}C \leq T_A \leq 85^{\circ}C$ ● | 1.764 | 1.800 | 1.836 | V     |
| $V_{FBREG2}$ | Regulated Feedback Voltage ( $V_{FB2}$ ) | LTC3547BE, $0^{\circ}C \leq T_A \leq 85^{\circ}C$ ●     | 0.590 | 0.600 | 0.610 | V     |
|              |  | LTC3547BE, $-40^{\circ}C \leq T_A \leq 85^{\circ}C$ ●   | 0.588 | 0.600 | 0.612 | V     |
|              |  | LTC3547BI, $-40^{\circ}C \leq T_A \leq 125^{\circ}C$ ●  | 0.588 | 0.600 | 0.612 | V     |
|              |  | LTC3547BE-1, $0^{\circ}C \leq T_A \leq 85^{\circ}C$ ●   | 1.180 | 1.200 | 1.220 | V     |
|              |  | LTC3547BE-1, $-40^{\circ}C \leq T_A \leq 85^{\circ}C$ ● | 1.176 | 1.200 | 1.224 | V     |

3547bfb

**ELECTRICAL CHARACTERISTICS** The ● denotes the specifications which apply over the full operating temperature range, otherwise specifications are at  $T_A = 25^\circ\text{C}$ .  $V_{CC} = 3.6\text{V}$ , unless otherwise noted.

| SYMBOL                      | PARAMETER  | CONDITIONS   | MIN        | TYP         | MAX          | UNITS  |
|-----------------------------|--|--|------------|-------------|--------------|--|
| $\Delta V_{\text{LINEREG}}$ | Reference Voltage Line Regulation  | $V_{\text{IN}} = 2.5\text{V}$ to $5.5\text{V}$   |            | 0.3         | 0.5          | %/V  |
| $\Delta V_{\text{LOADREG}}$ | Output Voltage Load Regulation   | $I_{\text{LOAD}} = 50\text{mA}$ to $300\text{mA}$  |            | 0.5         |              | %  |
| $I_{\text{S}}$              | Input DC Supply Current<br>Active Mode (Note 4)<br>Shutdown  | $V_{\text{FB1}} = V_{\text{FB2}} = 0.95 \times V_{\text{FBREG}}$<br>$\text{RUN1} = \text{RUN2} = 0\text{V}$ , $V_{\text{IN}} = 5.5\text{V}$  |            | 450<br>0.1  | 700<br>1     | $\mu\text{A}$<br>$\mu\text{A}$               |
| $f_{\text{OSC}}$            | Oscillator Frequency   | $V_{\text{FB}} = 0.6\text{V}$  | ● 1.8      | 2.25        | 2.7          | MHz  |
| $I_{\text{LIM}}$            | Peak Switch Current Limit<br>Channel 1 (300mA)<br>Channel 2 (300mA)  | $V_{\text{IN}} = 2.5\text{V}$ , $V_{\text{FB}} < V_{\text{FBREG}}$ , Duty Cycle < 35%  | 400<br>400 | 550<br>550  |              | mA<br>mA                                     |
| $R_{\text{DS(ON)}}$         | Channel 1 (Note 3)<br>Top Switch On-Resistance<br>Bottom Switch On-Resistance<br>Channel 2 (Note 3)<br>Top Switch On-Resistance<br>Bottom Switch On-Resistance | $V_{\text{IN}} = 3.6\text{V}$ , $I_{\text{SW}} = 100\text{mA}$<br>$V_{\text{IN}} = 3.6\text{V}$ , $I_{\text{SW}} = 100\text{mA}$<br>$V_{\text{IN}} = 3.6\text{V}$ , $I_{\text{SW}} = 100\text{mA}$<br>$V_{\text{IN}} = 3.6\text{V}$ , $I_{\text{SW}} = 100\text{mA}$ |            | 0.8<br>0.75 | 1.05<br>1.05 | $\Omega$<br>$\Omega$<br>$\Omega$<br>$\Omega$ |
| $I_{\text{SW(LKG)}}$        | Switch Leakage Current   | $V_{\text{IN}} = 5\text{V}$ , $V_{\text{RUN}} = 0\text{V}$   |            | 0.01        | 1            | $\mu\text{A}$                                |
| $t_{\text{SOFTSTART}}$      | Soft-Start Time  | $V_{\text{FB}}$ From 10% to 90% Full-Scale   | 0.450      | 0.650       | 0.850        | ms   |
| $V_{\text{RUN}}$            | RUN Threshold High   |  | ● 0.4      | 1           | 1.2          | V  |
| $I_{\text{RUN}}$            | RUN Leakage Current  |  | ●          | 0.01        | 1            | $\mu\text{A}$                                |

**Note 1:** Stresses beyond those listed under Absolute Maximum Ratings may cause permanent damage to the device. Exposure to any Absolute Maximum Rating condition for extended periods may affect device reliability and lifetime.

**Note 2:** The LTC3547BE is guaranteed to meet specified performance from  $0^\circ\text{C}$  to  $85^\circ\text{C}$ . Specifications over the  $-40^\circ\text{C}$  and  $85^\circ\text{C}$  operating temperature range are assured by design, characterization and correlation with statistical process controls. The LTC3547BI is guaranteed over the  $-40^\circ\text{C}$  to  $125^\circ\text{C}$  operating temperature range.

**Note 3:** The DFN switch on-resistance is guaranteed by correlation to wafer level measurements.

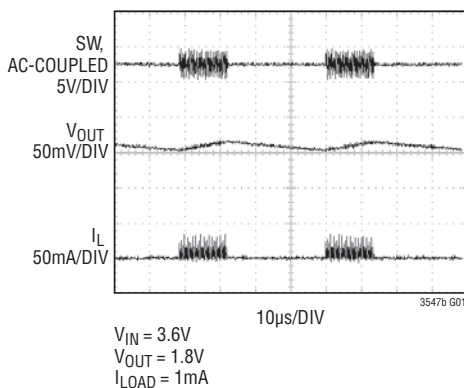
**Note 4:** Dynamic supply current is higher due to the internal gate charge being delivered at the switching frequency.

**Note 5:** Guaranteed by long-term current density limitations.

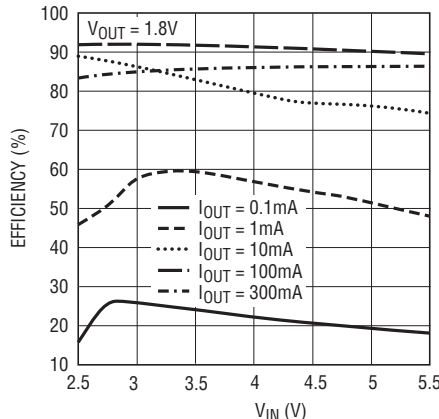
**Note 6:** This IC includes overtemperature protection that is intended to protect the device during momentary overload conditions. Junction temperature will exceed  $125^\circ\text{C}$  when overtemperature protection is active. Continuous operation above the specified maximum operating junction temperature may impair device reliability.

**TYPICAL PERFORMANCE CHARACTERISTICS**  $T_A = 25^\circ\text{C}$  unless otherwise specified.

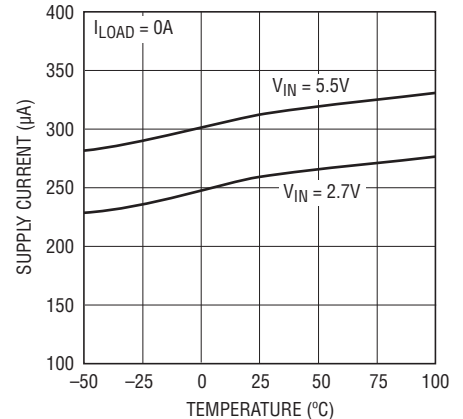
Pulse Skip Mode Operation



Efficiency vs Input Voltage

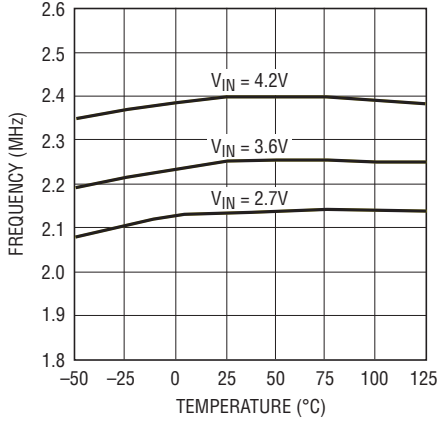


Supply Current vs Temperature



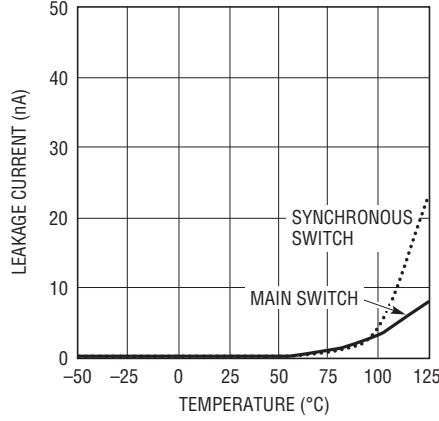
## TYPICAL PERFORMANCE CHARACTERISTICS

**Oscillator Frequency vs Temperature**



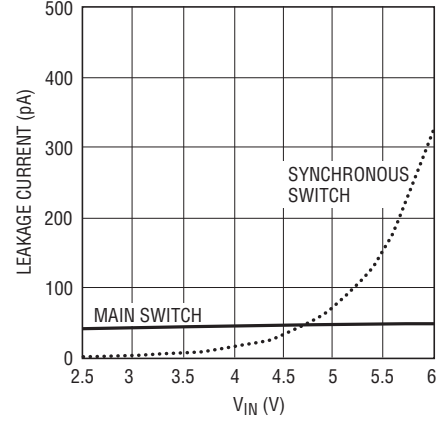
3547b G04

**Switch Leakage vs Temperature**



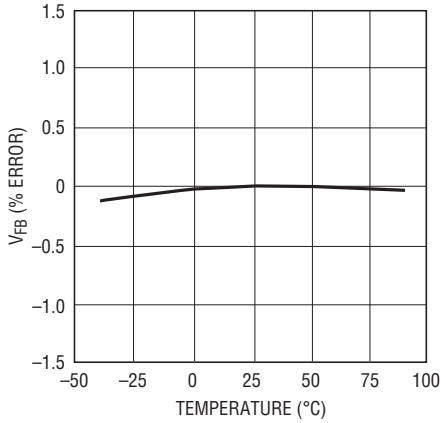
3547b G05

**Switch Leakage vs Input Voltage**



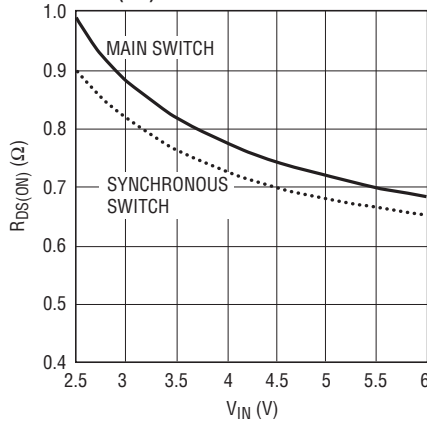
3547b G06

**Reference Voltage vs Temperature**



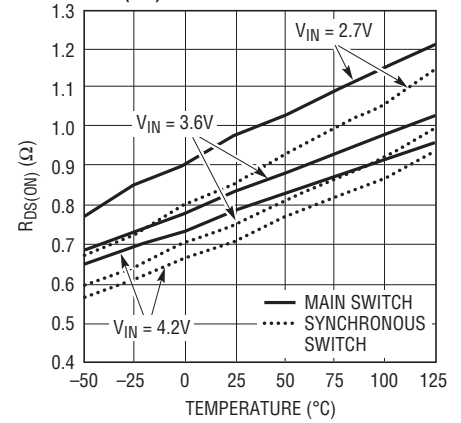
3547b G07

**$R_{DS(ON)}$  vs Input Voltage**



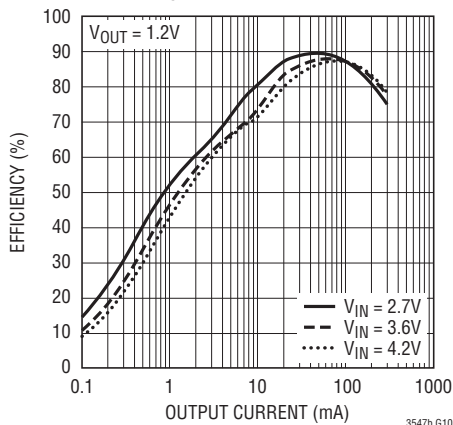
3547b G08

**$R_{DS(ON)}$  vs Temperature**



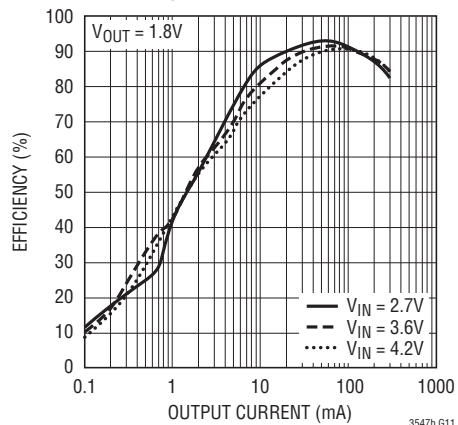
3547b G09

**Efficiency vs Load Current**



3547b G10

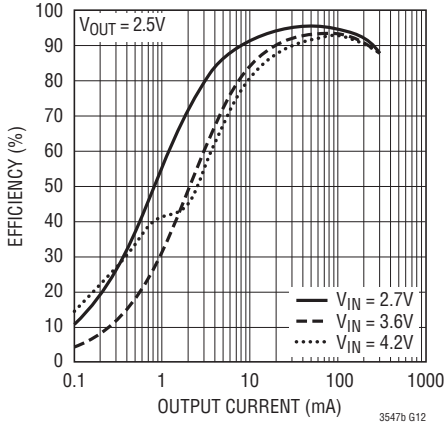
**Efficiency vs Load Current**



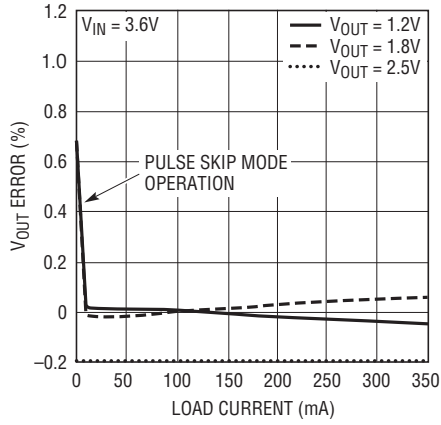
3547b G11

# TYPICAL PERFORMANCE CHARACTERISTICS

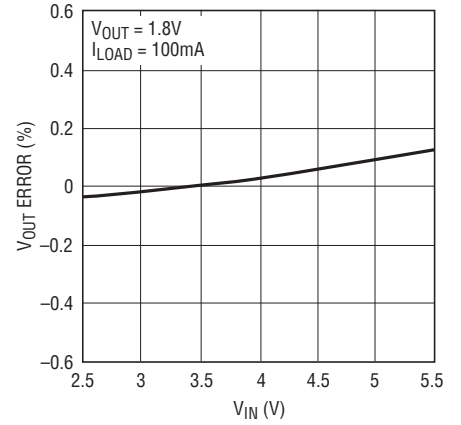
**Efficiency vs Load Current**



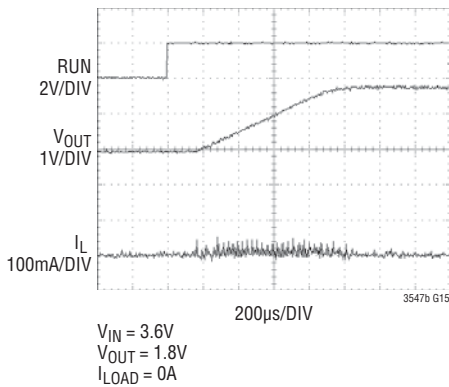
**Load Regulation**



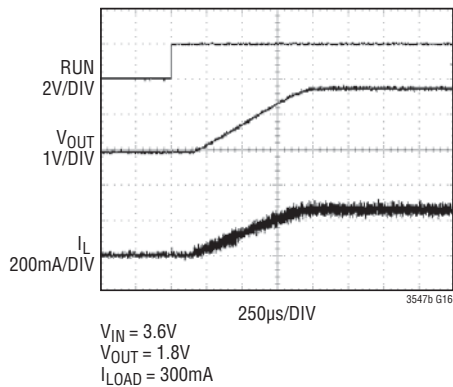
**Line Regulation**



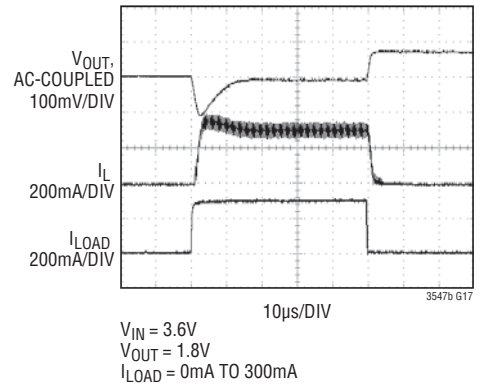
**Start-Up From Shutdown**



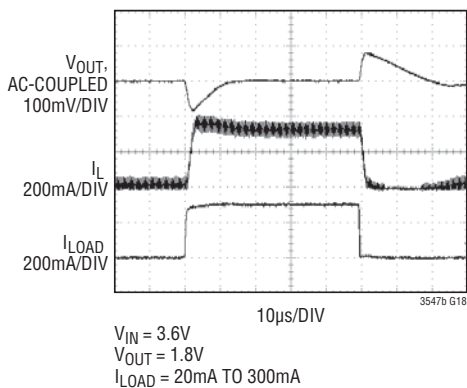
**Start-Up From Shutdown**



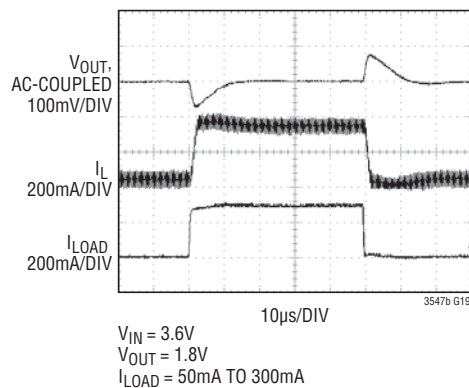
**Load Step**



**Load Step**



**Load Step**



## PIN FUNCTIONS

**V<sub>FB1</sub> (Pin 1):** Regulator 1 Output Feedback. Receives the feedback voltage from the external resistor divider across the regulator 1 output. Nominal voltage for this pin is 0.6V.

**RUN1 (Pin 2):** Regulator 1 Enable. Forcing this pin to V<sub>IN</sub> enables regulator 1, while forcing it to GND causes regulator 1 to shut down.

**V<sub>IN</sub> (Pin 3):** Main Power Supply. Must be closely decoupled to GND.

**SW1 (Pin 4):** Regulator 1 Switch Node Connection to the Inductor. This pin swings from V<sub>IN</sub> to GND.

**GND (Pin 5):** Ground. Connect to the (–) terminal of C<sub>OUT</sub>, and the (–) terminal of C<sub>IN</sub>.

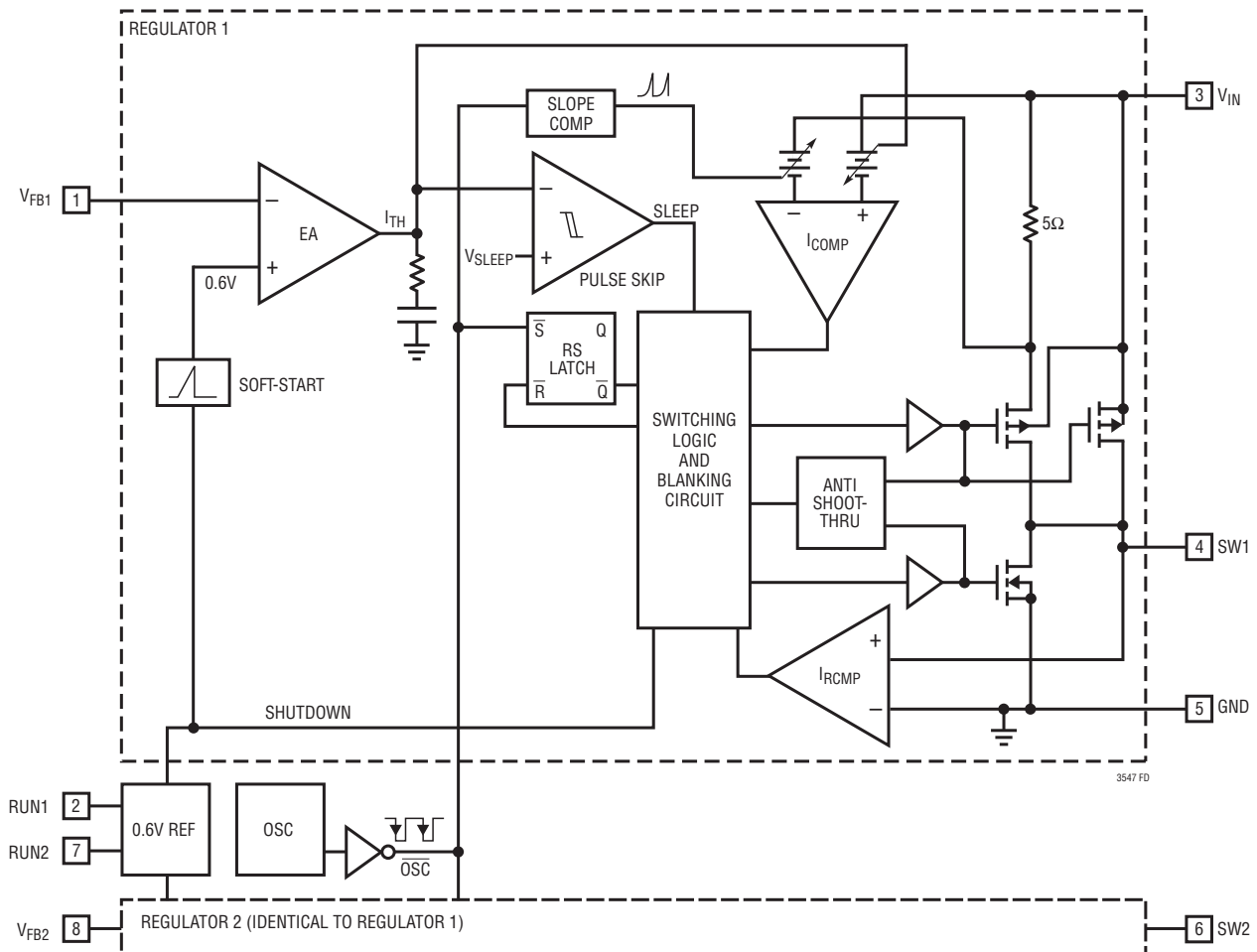
**SW2 (Pin 6):** Regulator 2 Switch Node Connection to the Inductor. This pin swings from V<sub>IN</sub> to GND.

**RUN2 (Pin 7):** Regulator 2 Enable. Forcing this pin to V<sub>IN</sub> enables regulator 2, while forcing it to GND causes regulator 2 to shut down.

**V<sub>FB2</sub> (Pin 8):** Regulator 2 Output Feedback. Receives the feedback voltage from the external resistor divider across the regulator 2 output. Nominal voltage for this pin is 0.6V.

**Exposed Pad (Pin 9):** Electrically Connected to GND. Must be soldered to the PCB for optimum thermal performance.

## FUNCTIONAL DIAGRAM



## OPERATION (Refer to Functional Diagram )

The LTC3547B uses a constant-frequency current mode architecture. The operating frequency is set at 2.25MHz. Both channels share the same clock and run in-phase.

The output voltage is set by an external resistor divider returned to the  $V_{FB}$  pins. An error amplifier compares the divided output voltage with a reference voltage of 0.6V and regulates the peak inductor current accordingly.

### Main Control Loop

During normal operation, the top power switch (P-channel MOSFET) is turned on at the beginning of a clock cycle when the  $V_{FB}$  voltage is below the reference voltage. The current into the inductor and the load increases until the peak inductor current (controlled by  $I_{TH}$ ) is reached. The RS latch turns off the synchronous switch and energy stored in the inductor is discharged through the bottom switch (N-channel MOSFET) into the load until the next clock cycle begins, or until the inductor current begins to reverse (sensed by the  $I_{RCMP}$  comparator).

The peak inductor current is controlled by the internally compensated  $I_{TH}$  voltage, which is the output of the error amplifier. This amplifier regulates the  $V_{FB}$  pin to the internal 0.6V reference by adjusting the peak inductor current accordingly.

At very low load currents, the LTC3547B automatically transitions from constant frequency operation to discontinuous operation, where the regulator begins skipping pulses. Even though the total power loss decreases with load, the efficiency of the switching regulator will drop, because the power delivered to the output becomes very small. For applications where light load efficiency is a priority, consider using the LTC3547 instead.

### Dropout Operation

When the input supply voltage decreases toward the output voltage the duty cycle increases to 100%, which is the dropout condition. In dropout, the PMOS switch is turned on continuously with the output voltage being equal to the input voltage minus the voltage drops across the internal P-channel MOSFET and the inductor.

An important design consideration is that the  $R_{DS(ON)}$  of the P-channel switch increases with decreasing input supply voltage (see Typical Performance Characteristics). Therefore, the user should calculate the worst-case power dissipation when the LTC3547B is used at 100% duty cycle with low input voltage (see Thermal Considerations in the Applications Information Section).

### Soft-Start

In order to minimize the inrush current on the input bypass capacitor, the LTC3547B slowly ramps up the output voltage during start-up. Whenever the RUN1 or RUN2 pin is pulled high, the corresponding output will ramp from zero to full-scale over a time period of approximately 650 $\mu$ s. This prevents the LTC3547B from having to quickly charge the output capacitor and thus supplying an excessive amount of instantaneous current.

### Short-Circuit Protection

When either regulator output is shorted to ground, the corresponding internal N-channel switch is forced on for a longer time period for each cycle in order to allow the inductor to discharge, thus preventing current runaway. This technique has the effect of decreasing switching frequency. Once the short is removed, normal operation resumes and the regulator output will return to its nominal voltage.

## APPLICATIONS INFORMATION

A general LTC3547B application circuit is shown in Figure 1. External component selection is driven by the load requirement, and begins with the selection of the inductor L. Once the inductor is chosen,  $C_{IN}$  and  $C_{OUT}$  can be selected.

### Inductor Selection

Although the inductor does not influence the operating frequency, the inductor value has a direct effect on ripple current. The inductor ripple current  $\Delta I_L$  decreases with higher inductance and increases with higher  $V_{IN}$  or  $V_{OUT}$ :

$$\Delta I_L = \frac{V_{OUT}}{f_0 \cdot L} \cdot \left(1 - \frac{V_{OUT}}{V_{IN}}\right) \quad (1)$$

Accepting larger values of  $\Delta I_L$  allows the use of low inductances, but results in higher output voltage ripple, greater core losses, and lower output current capability. A reasonable starting point for setting ripple current is 40% of the maximum output load current. So, for a 300mA regulator,  $\Delta I_L = 120\text{mA}$  (40% of 300mA).

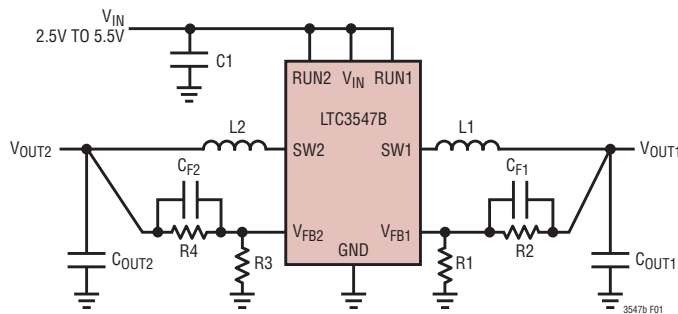


Figure 1. LTC3547B General Schematic

### Inductor Core Selection

Different core materials and shapes will change the size/current and price/current relationship of an inductor. Toroid or shielded pot cores in ferrite or permalloy materials are small and do not radiate much energy, but generally cost more than powdered iron core inductors with similar electrical characteristics. The choice of which style inductor to use often depends more on the price vs size requirements, and any radiated field/EMI requirements, than on what the LTC3547B requires to operate. Table 1 shows some typical surface mount inductors that work well in LTC3547B applications.

Table 1. Representative Surface Mount Inductors

| MANUFACTURER | PART NUMBER       | VALUE             | MAX DC CURRENT | DCR            | HEIGHT |
|--------------|-------------------|-------------------|----------------|----------------|--------|
| Taiyo Yuden  | CB2016T2R2M       | 2.2 $\mu\text{H}$ | 510mA          | 0.13 $\Omega$  | 1.6mm  |
|              | CB2012T2R2M       | 2.2 $\mu\text{H}$ | 530mA          | 0.33 $\Omega$  | 1.25mm |
|              | CB2016T3R3M       | 3.3 $\mu\text{H}$ | 410mA          | 0.27 $\Omega$  | 1.6mm  |
| Panasonic    | ELT5KT4R7M        | 4.7 $\mu\text{H}$ | 950mA          | 0.2 $\Omega$   | 1.2mm  |
| Sumida       | CDRH2D18/LD       | 4.7 $\mu\text{H}$ | 630mA          | 0.086 $\Omega$ | 2mm    |
| Murata       | LQH32CN4R7M23     | 4.7 $\mu\text{H}$ | 450mA          | 0.2 $\Omega$   | 2mm    |
| Taiyo Yuden  | NR30102R2M        | 2.2 $\mu\text{H}$ | 1100mA         | 0.1 $\Omega$   | 1mm    |
|              | NR30104R7M        | 4.7 $\mu\text{H}$ | 750mA          | 0.19 $\Omega$  | 1mm    |
| FDK          | FDKMIPF2520D      | 4.7 $\mu\text{H}$ | 1100mA         | 0.11 $\Omega$  | 1mm    |
|              | FDKMIPF2520D      | 3.3 $\mu\text{H}$ | 1200mA         | 0.1 $\Omega$   | 1mm    |
|              | FDKMIPF2520D      | 2.2 $\mu\text{H}$ | 1300mA         | 0.08 $\Omega$  | 1mm    |
| TDK          | VLF3010AT4R7-MR70 | 4.7 $\mu\text{H}$ | 700mA          | 0.24 $\Omega$  | 1mm    |
|              | VLF3010AT3R3-MR87 | 3.3 $\mu\text{H}$ | 870mA          | 0.17 $\Omega$  | 1mm    |
|              | VLF3010AT2R2-M1RD | 2.2 $\mu\text{H}$ | 1000mA         | 0.12 $\Omega$  | 1mm    |
|              |                   |                   |                |                |        |



## APPLICATIONS INFORMATION

### Input Capacitor ( $C_{IN}$ ) Selection

In continuous mode, the input current of the converter is a square wave with a duty cycle of approximately  $V_{OUT}/V_{IN}$ . To prevent large voltage transients, a low equivalent series resistance (ESR) input capacitor sized for the maximum RMS current must be used. The maximum RMS capacitor current is given by:

$$I_{RMS} \approx I_{MAX} \frac{\sqrt{V_{OUT}(V_{IN} - V_{OUT})}}{V_{IN}} \quad (2)$$

Where the maximum average output current  $I_{MAX}$  equals the peak current minus half the peak-to-peak ripple current,  $I_{MAX} = I_{LIM} - \Delta I_L/2$ .

This formula has a maximum at  $V_{IN} = 2V_{OUT}$ , where  $I_{RMS} = I_{OUT}/2$ . This simple worst-case is commonly used to design because even significant deviations do not offer much relief. Note that capacitor manufacturer's ripple current ratings are often based on only 2000 hours lifetime. This makes it advisable to further derate the capacitor, or choose a capacitor rated at a higher temperature than required. Several capacitors may also be paralleled to meet the size or height requirements of the design. An additional 0.1 $\mu$ F to 1 $\mu$ F ceramic capacitor is also recommended on  $V_{IN}$  for high frequency decoupling when not using an all-ceramic capacitor solution.

### Output Capacitor ( $C_{OUT}$ ) Selection

The selection of  $C_{OUT}$  is driven by the required effective series resistance (ESR). Typically, once the ESR requirement for  $C_{OUT}$  has been met, the RMS current rating generally far exceeds the  $I_{RIPPLE(P-P)}$  requirement. The output ripple  $\Delta V_{OUT}$  is determined by:

$$\Delta V_{OUT} \cong \Delta I_L \left( ESR + \frac{1}{8fC_{OUT}} \right) \quad (3)$$

where  $f$  = operating frequency,  $C_{OUT}$  = output capacitance and  $\Delta I_L$  = ripple current in the inductor. For a fixed output voltage, the output ripple is highest at maximum input voltage since  $\Delta I_L$  increases with input voltage.

If tantalum capacitors are used, it is critical that the capacitors are surge tested for use in switching power supplies. An excellent choice is the AVX TPS series of surface mount tantalum. These are specially constructed and tested for low ESR so they give the lowest ESR for a given volume. Other capacitor types include Sanyo POSCAP, Kemet T510 and T495 series, and Sprague 593D and 595D series. Consult the manufacturer for other specific recommendations.

### Using Ceramic Input and Output Capacitors

Higher values, lower cost ceramic capacitors are now becoming available in smaller case sizes. Their high ripple current, high voltage rating and low ESR make them ideal for switching regulator applications. Because the LTC3547B control loop does not depend on the output capacitor's ESR for stable operation, ceramic capacitors can be used freely to achieve very low output ripple and small circuit size.

However, care must be taken when ceramic capacitors are used at the input. When a ceramic capacitor is used at the input and the power is supplied by a wall adapter through long wires, a load step at the output can induce ringing at the input,  $V_{IN}$ . At best, this ringing can couple to the output and be mistaken as loop instability. At worst, a sudden inrush of current through the long wires can potentially cause a voltage spike at  $V_{IN}$ , large enough to damage the part. For more information, see Application Note 88.

When choosing the input and output ceramic capacitors, choose the X5R or X7R dielectric formulations. These dielectrics have the best temperature and voltage characteristics of all the ceramics for a given value and size.

## APPLICATIONS INFORMATION

### Setting the Output Voltage

The LTC3547B regulates the  $V_{FB1}$  and  $V_{FB2}$  pins to 0.6V during regulation. Thus, the output voltage is set by a resistive divider according to the following formula:

$$V_{OUT} = 0.6V \left( 1 + \frac{R2}{R1} \right) \quad (4)$$

Keeping the current small ( $< 5\mu A$ ) in these resistors maximizes efficiency, but making it too small may allow stray capacitance to cause noise problems or reduce the phase margin of the error amp loop.

To improve the frequency response of the main control loop, a feedback capacitor ( $C_F$ ) may also be used. Great care should be taken to route the  $V_{FB}$  line away from noise sources, such as the inductor or the SW line.

Fixed output versions of the LTC3547B (e.g. LTC3547B-1) include an internal resistive divider, eliminating the need for external resistors. The resistor divider is chosen such that the  $V_{FB}$  input current is  $3\mu A$ . For these versions, the  $V_{FB}$  pin should be connected directly to  $V_{OUT}$ . Table 2 lists the fixed output voltages available for the LTC3547B.

**Table 2. Fixed Output Voltage Versions**

| Part Number | $V_{OUT1}$ | $V_{OUT2}$ |
|-------------|------------|------------|
| LTC3547B    | Adjustable | Adjustable |
| LTC3547B-1  | 1.8V       | 1.2V       |

### Checking Transient Response

The regulator loop response can be checked by looking at the load transient response. Switching regulators take several cycles to respond to a step in load current. When

a load step occurs,  $V_{OUT}$  immediately shifts by an amount equal to  $\Delta I_{LOAD} \cdot ESR$ , where ESR is the effective series resistance of  $C_{OUT}$ .  $\Delta I_{LOAD}$  also begins to charge or discharge  $C_{OUT}$  generating a feedback error signal used by the regulator to return  $V_{OUT}$  to its steady-state value. During this recovery time,  $V_{OUT}$  can be monitored for overshoot or ringing that would indicate a stability problem.

The initial output voltage step may not be within the bandwidth of the feedback loop, so the standard second-order overshoot/DC ratio cannot be used to determine the phase margin. In addition, feedback capacitors ( $C_{F1}$  and  $C_{F2}$ ) can be added to improve the high frequency response, as shown in Figure 1. Capacitor  $C_F$  provides phase lead by creating a high frequency zero with R2 which improves the phase margin.

The output voltage settling behavior is related to the stability of the closed-loop system and will demonstrate the actual overall supply performance. For a detailed explanation of optimizing the compensation components, including a review of control loop theory, refer to Application Note 76.

In some applications, a more severe transient can be caused by switching in loads with large ( $> 1\mu F$ ) input capacitors. The discharged input capacitors are effectively put in parallel with  $C_{OUT}$ , causing a rapid drop in  $V_{OUT}$ . No regulator can deliver enough current to prevent this problem if the switch connecting the load has low resistance and is driven quickly. The solution is to limit the turn-on speed of the load switch driver. A Hot Swap™ controller is designed specifically for this purpose and usually incorporates current limiting, short-circuit protection, and soft-starting.

Hot Swap is a trademark of Linear Technology Corporation.

## APPLICATIONS INFORMATION

### Efficiency Considerations

The percent efficiency of a switching regulator is equal to the output power divided by the input power times 100%. It is often useful to analyze individual losses to determine what is limiting the efficiency and which change would produce the most improvement. Percent efficiency can be expressed as:

$$\% \text{ Efficiency} = 100\% - (L1 + L2 + L3 + \dots)$$

where L1, L2, etc., are the individual losses as a percentage of input power.

Although all dissipative elements in the circuit produce losses, four sources usually account for the losses in LTC3547B circuits: 1)  $V_{IN}$  quiescent current, 2) switching losses, 3)  $I^2R$  losses, 4) other system losses.

- 1) The  $V_{IN}$  current is the DC supply current given in the Electrical Characteristics which excludes MOSFET driver and control currents.  $V_{IN}$  current results in a small (<0.1%) loss that increases with  $V_{IN}$ , even at no load.
- 2) The switching current is the sum of the MOSFET driver and control currents. The MOSFET driver current results from switching the gate capacitance of the power MOSFETs. Each time a MOSFET gate is switched from low to high to low again, a packet of charge  $dQ$  moves from  $V_{IN}$  to ground. The resulting  $dQ/dt$  is a current out of  $V_{IN}$  that is typically much larger than the DC bias current. In continuous mode,  $I_{GATECHG} = f_O(Q_T + Q_B)$ , where  $Q_T$  and  $Q_B$  are the gate charges of the internal top and

bottom MOSFET switches. The gate charge losses are proportional to  $V_{IN}$  and thus their effects will be more pronounced at higher supply voltages.

- 3)  $I^2R$  losses are calculated from the DC resistances of the internal switches,  $R_{SW}$ , and external inductor,  $R_L$ . In continuous mode, the average output current flows through inductor L, but is “chopped” between the internal top and bottom switches. Thus, the series resistance looking into the SW pin is a function of both top and bottom MOSFET  $R_{DS(ON)}$  and the duty cycle (DC) as follows:

$$R_{SW} = (R_{DS(ON)TOP}) \cdot (DC) + (R_{DS(ON)BOT}) \cdot (1 - DC) \quad (5)$$

The  $R_{DS(ON)}$  for both the top and bottom MOSFETs can be obtained from the Typical Performance Characteristics curves. Thus, to obtain  $I^2R$  losses:

$$I^2R \text{ losses} = I_{OUT}^2 \cdot (R_{SW} + R_L)$$

- 4) Other “hidden” losses, such as copper trace and internal battery resistances, can account for additional efficiency degradations in portable systems. It is very important to include these “system” level losses in the design of a system. The internal battery and fuse resistance losses can be minimized by making sure that  $C_{IN}$  has adequate charge storage and very low ESR at the switching frequency. Other losses, including diode conduction losses during dead-time, and inductor core losses, generally account for less than 2% total additional loss.

## APPLICATIONS INFORMATION

### Thermal Considerations

In a majority of applications, the LTC3547B does not dissipate much heat due to its high efficiency. In the unlikely event that the junction temperature somehow reaches approximately 150°C, both power switches will be turned off and the SW node will become high impedance.

The goal of the following thermal analysis is to determine whether the power dissipated causes enough temperature rise to exceed the maximum junction temperature (125°C) of the part. The temperature rise is given by:

$$T_{\text{RISE}} = P_D \cdot \theta_{\text{JA}} \quad (6)$$

Where  $P_D$  is the power dissipated by the regulator and  $\theta_{\text{JA}}$  is the thermal resistance from the junction of the die to the ambient temperature.

The junction temperature,  $T_J$ , is given by:

$$T_J = T_{\text{RISE}} + T_{\text{AMBIENT}} \quad (7)$$

As a worst-case example, consider the case when the LTC3547B is in dropout on both channels at an input voltage of 2.7V with a load current of 300mA and an ambient temperature of 70°C. From the Typical Performance Characteristics graph of Switch Resistance, the  $R_{\text{DS(ON)}}$  of the main switch is 0.9Ω. Therefore, power dissipated by each channel is:

$$P_D = I_{\text{OUT}}^2 \cdot R_{\text{DS(ON)}} = 81\text{mW}$$

Given that the thermal resistance of a properly soldered DFN package is approximately 76°C/W, the junction temperature of an LTC3547B device operating in a 70°C ambient temperature is approximately:

$$T_J = (2 \cdot 0.081\text{W} \cdot 76^\circ\text{C/W}) + 70^\circ\text{C} = 82.3^\circ\text{C}$$

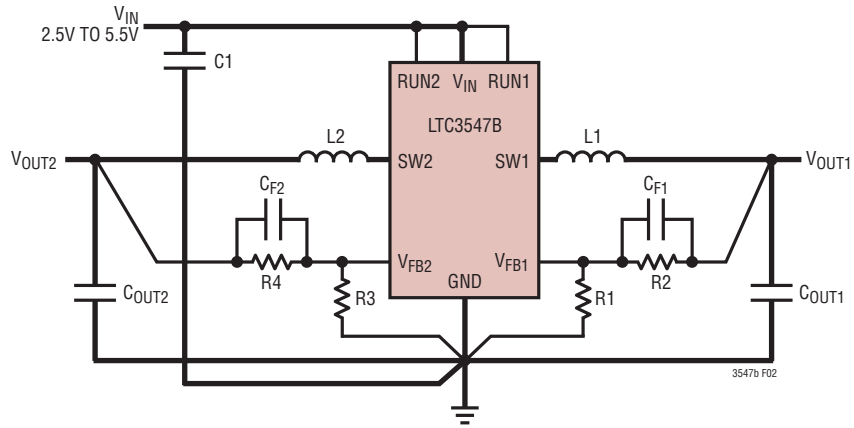
which is well below the absolute maximum junction temperature of 125°C.

### PC Board Layout Considerations

When laying out the printed circuit board, the following checklist should be used to ensure proper operation of the LTC3547B. These items are also illustrated graphically in the layout diagrams of Figures 2 and 3. Check the following in your layout:

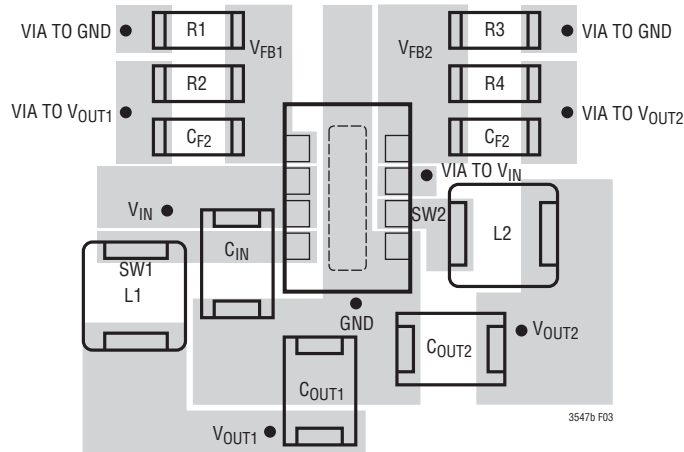
1. Does the capacitor  $C_{\text{IN}}$  connect to the power  $V_{\text{IN}}$  (Pin 3) and GND (Pin 5) as closely as possible? This capacitor provides the AC current of the internal power MOSFETs and their drivers.
2. Are the respective  $C_{\text{OUT}}$  and L closely connected? The (–) plate of  $C_{\text{OUT}}$  returns current to GND and the (–) plate of  $C_{\text{IN}}$ .
3. The resistor divider, R1 and R2, must be connected between the (+) plate of  $C_{\text{OUT}1}$  and a ground sense line terminated near GND (Pin 5). The feedback signals  $V_{\text{FB}1}$  and  $V_{\text{FB}2}$  should be routed away from noisy components and traces, such as the SW lines (Pins 4 and 6), and their trace length should be minimized.
4. Keep sensitive components away from the SW pins if possible. The input capacitor  $C_{\text{IN}}$  and the resistors R1, R2, R3 and R4 should be routed away from the SW traces and the inductors.
5. A ground plane is preferred, but if not available, keep the signal and power grounds segregated with small signal components returning to the GND pin at a single point. These ground traces should not share the high current path of  $C_{\text{IN}}$  or  $C_{\text{OUT}}$ .
6. Flood all unused areas on all layers with copper. Flooding with copper will reduce the temperature rise of power components. These copper areas should be connected to  $V_{\text{IN}}$  or GND.

# APPLICATIONS INFORMATION



BOLD LINES INDICATE HIGH CURRENT PATHS

**Figure 2. LTC3547B Layout Diagram (See Board Layout Checklist)**



**Figure 3. LTC3547B Suggested Layout**

## APPLICATIONS INFORMATION

### Design Example

As a design example, consider using the LTC3547B in a portable application with a Li-Ion battery. The battery provides a  $V_{IN}$  ranging from 2.8V to 4.2V. The load on each channel requires a maximum of 300mA in active mode and 2mA in standby mode. The output voltages are  $V_{OUT1} = 2.5V$  and  $V_{OUT2} = 1.8V$ .

Start with channel 1. First, calculate the inductor value for about 40% ripple current (120mA in this example) at maximum  $V_{IN}$ . Using a derivation of Equation 1:

$$L1 = \frac{2.5V}{2.25MHz \cdot (120mA)} \cdot \left(1 - \frac{2.5V}{4.2V}\right) = 3.75\mu H$$

For the inductor, use the closest standard value of 4.7 $\mu H$ . A 4.7 $\mu F$  capacitor should be more than sufficient for this output capacitor. As for the input capacitor, a typical value of  $C_{IN} = 4.7\mu F$  should suffice, as the source impedance of a Li-Ion battery is very low.

The feedback resistors program the output voltage. To maintain high efficiency at light loads, the current in these resistors should be kept small. Choosing 2 $\mu A$  with the 0.6V feedback voltage makes  $R1 \sim 300k$ . A close standard 1% resistor is 280k, using Equation 4.

$$R2 = \left(\frac{V_{OUT}}{0.6} - 1\right) \cdot R1 = 887k$$

An optional 10pF feedback capacitor ( $C_{F1}$ ) may be used to improve transient response.

Using the same analysis for channel 2 ( $V_{OUT2} = 1.8V$ ), the results are:

$$L2 = 3.81\mu H$$

$$R3 = 280k$$

$$R4 = 560k$$

Figure 4 shows the complete schematic for this example, along with the efficiency curve and transient response.

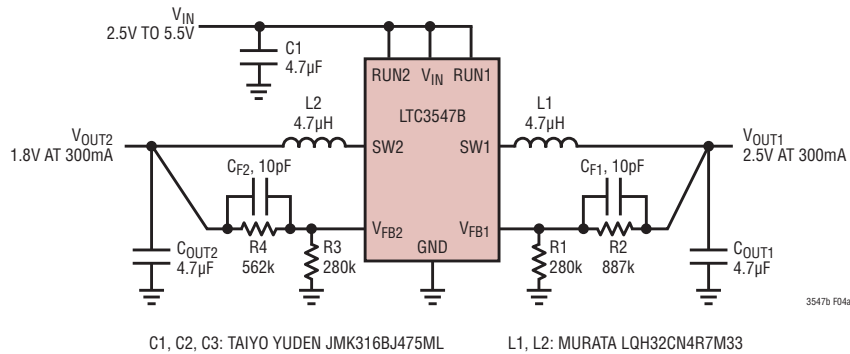


Figure 4a. Design Example Circuit

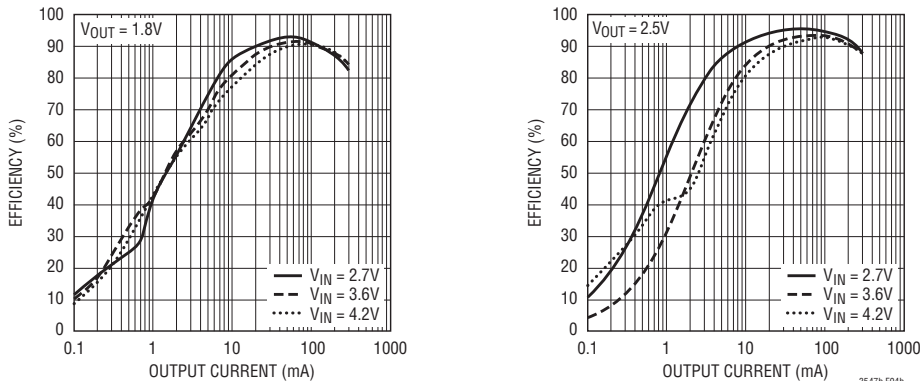


Figure 4b. Efficiency vs Output Current

## APPLICATIONS INFORMATION

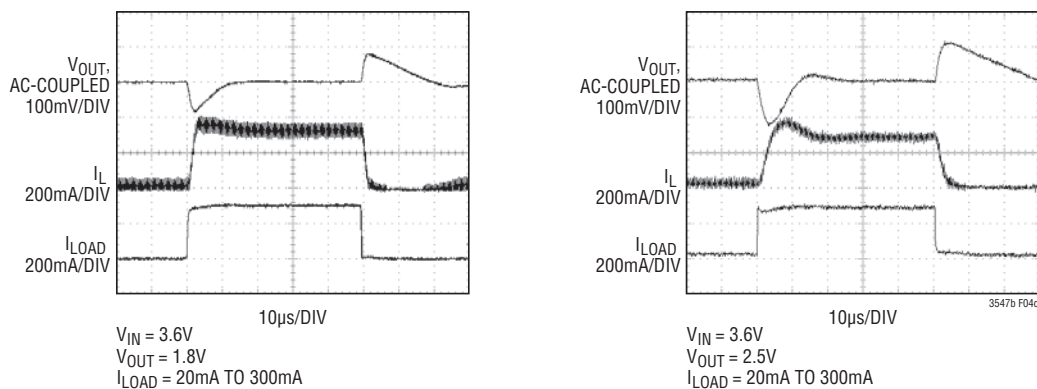
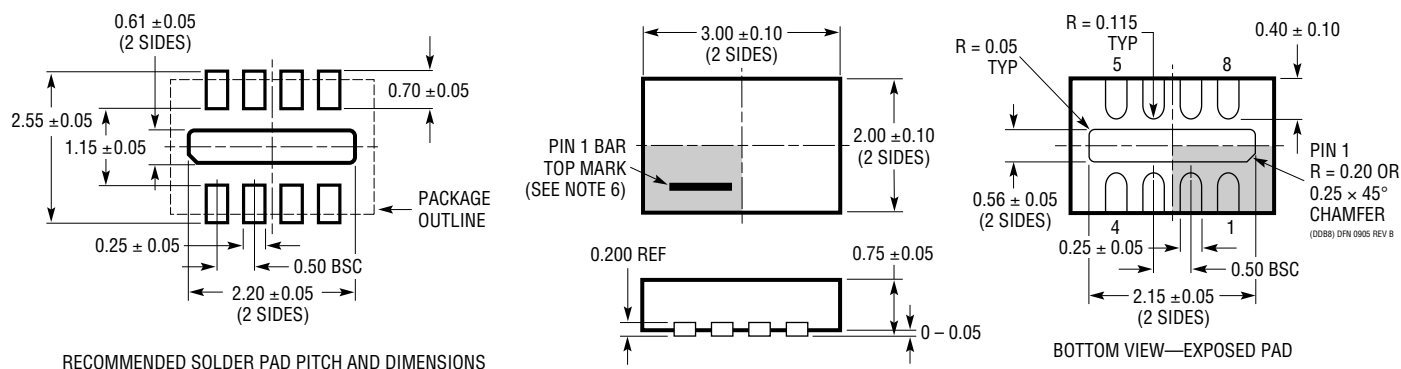


Figure 4c. Transient Response

## PACKAGE DESCRIPTION

**DDB Package**  
**8-Lead Plastic DFN (3mm × 2mm)**  
 (Reference LTC DWG # 05-08-1702 Rev B)



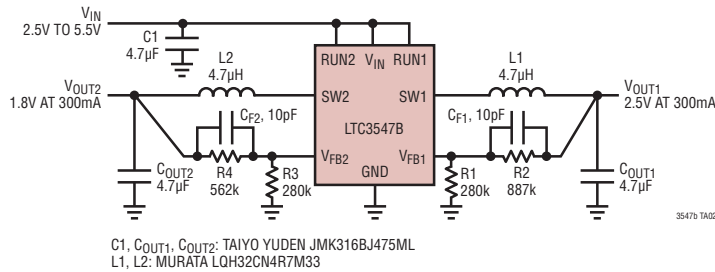
RECOMMENDED SOLDER PAD PITCH AND DIMENSIONS

## NOTE:

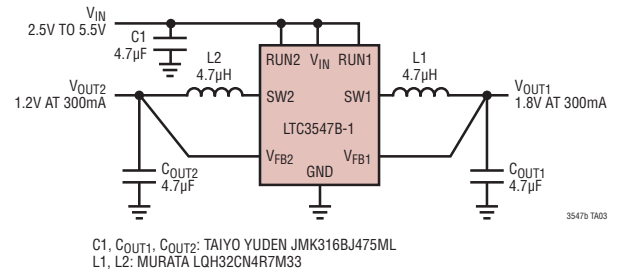
1. DRAWING CONFORMS TO VERSION (WECD-1) IN JEDEC PACKAGE OUTLINE M0-229
2. DRAWING NOT TO SCALE
3. ALL DIMENSIONS ARE IN MILLIMETERS
4. DIMENSIONS OF EXPOSED PAD ON BOTTOM OF PACKAGE DO NOT INCLUDE MOLD FLASH. MOLD FLASH, IF PRESENT, SHALL NOT EXCEED 0.15mm ON ANY SIDE
5. EXPOSED PAD SHALL BE SOLDER PLATED
6. SHADED AREA IS ONLY A REFERENCE FOR PIN 1 LOCATION ON THE TOP AND BOTTOM OF PACKAGE

## TYPICAL APPLICATION

### Dual 300mA Buck Converter with Pulse Skip Mode



### 1.8V/1.2V Dual 300mA Buck Converter with Pulse Skip Mode



## RELATED PARTS

| PART NUMBER      | DESCRIPTION   | COMMENTS   |
|------------------|---|--|
| LTC1877          | 600mA (I <sub>OUT</sub> ), 550kHz, Synchronous Step-Down DC/DC Converter                        | 95% Efficiency, V <sub>IN</sub> : 2.7V to 10V, V <sub>OUT</sub> = 0.8V, I <sub>Q</sub> = 10µA, I <sub>SD</sub> < 1µA, MS8 Package                    |
| LTC1878          | 600mA (I <sub>OUT</sub> ), 550kHz, Synchronous Step-Down DC/DC Converter                        | 95% Efficiency, V <sub>IN</sub> : 2.7V to 6V, V <sub>OUT</sub> = 0.8V, I <sub>Q</sub> = 10µA, I <sub>SD</sub> < 1µA, MS8 Package                     |
| LTC1879          | 1.2A (I <sub>OUT</sub> ), 550kHz, Synchronous Step-Down DC/DC Converter                         | 95% Efficiency, V <sub>IN</sub> : 2.7V to 10V, V <sub>OUT</sub> = 0.8V, I <sub>Q</sub> = 15µA, I <sub>SD</sub> < 1µA, TSSOP-16 Package               |
| LTC3403          | 600mA (I <sub>OUT</sub> ), 1.5MHz, Synchronous Step-Down DC/DC Converter with Bypass Transistor | 96% Efficiency, V <sub>IN</sub> : 2.5V to 5.5V, V <sub>OUT</sub> = Dynamically Adjustable, I <sub>Q</sub> = 20µA, I <sub>SD</sub> < 1µA, DFN Package |
| LTC3404          | 600mA (I <sub>OUT</sub> ), 1.4MHz, Synchronous Step-Down DC/DC Converter                        | 95% Efficiency, V <sub>IN</sub> : 2.7V to 6V, V <sub>OUT</sub> = 0.8V, I <sub>Q</sub> = 10µA, I <sub>SD</sub> < 1µA, MS8 Package                     |
| LTC3405/LTC3405A | 300mA (I <sub>OUT</sub> ), 1.5MHz, Synchronous Step-Down DC/DC Converter                        | 96% Efficiency, V <sub>IN</sub> : 2.5V to 5.5V, V <sub>OUT</sub> = 0.8V, I <sub>Q</sub> = 20µA, I <sub>SD</sub> < 1µA, ThinSOT™ Package              |
| LTC3406          | 600mA (I <sub>OUT</sub> ), 1.5MHz, Synchronous Step-Down DC/DC Converter                        | 96% Efficiency, V <sub>IN</sub> : 2.5V to 5.5V, V <sub>OUT</sub> = 0.6V, I <sub>Q</sub> = 20µA, I <sub>SD</sub> < 1µA, ThinSOT Package               |
| LTC3409          | 600mA (I <sub>OUT</sub> ), 1.5MHz/2.25MHz, Synchronous Step-Down DC/DC Converter                | 95% Efficiency, V <sub>IN</sub> : 1.6V to 5.5V, V <sub>OUT</sub> = 0.613V, I <sub>Q</sub> = 65µA, DD8 Package  |
| LTC3410          | 300mA (I <sub>OUT</sub> ), 2.25MHz, Synchronous Step-Down DC/DC Converter                       | 96% Efficiency, V <sub>IN</sub> : 2.5V to 5.5V, V <sub>OUT(MIN)</sub> = 0.8V, I <sub>Q</sub> = 26µA, I <sub>SD</sub> < 1µA, SC70 Package             |
| LTC3411          | 1.25A (I <sub>OUT</sub> ), 4MHz, Synchronous Step-Down DC/DC Converter                          | 95% Efficiency, V <sub>IN</sub> : 2.5V to 5.5V, V <sub>OUT</sub> = 0.8V, I <sub>Q</sub> = 60µA, I <sub>SD</sub> < 1µA, MS Package                    |
| LTC3412          | 2.5A (I <sub>OUT</sub> ), 4MHz, Synchronous Step-Down DC/DC Converter                           | 95% Efficiency, V <sub>IN</sub> : 2.5V to 5.5V, V <sub>OUT</sub> = 0.8V, I <sub>Q</sub> = 60µA, I <sub>SD</sub> < 1µA, TSSOP-16E Package             |
| LTC3440          | 600mA (I <sub>OUT</sub> ), 2MHz, Synchronous Buck-Boost DC/DC Converter                         | 95% Efficiency, V <sub>IN</sub> : 2.5V to 5.5V, V <sub>OUT</sub> = 2.5V, I <sub>Q</sub> = 25µA, I <sub>SD</sub> < 1µA, MS Package                    |
| LTC3547          | Dual 300mA (I <sub>OUT</sub> ), 2.25MHz, Synchronous Step-Down DC/DC Converter                  | 96% Efficiency, V <sub>IN</sub> : 2.5V to 5.5V, V <sub>OUT</sub> = 0.6V, I <sub>Q</sub> = 40µA, I <sub>SD</sub> < 1µA, DFN Package                   |

ThinSOT is a trademark of Linear Technology Corporation