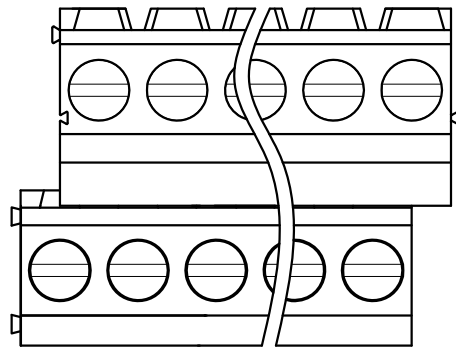
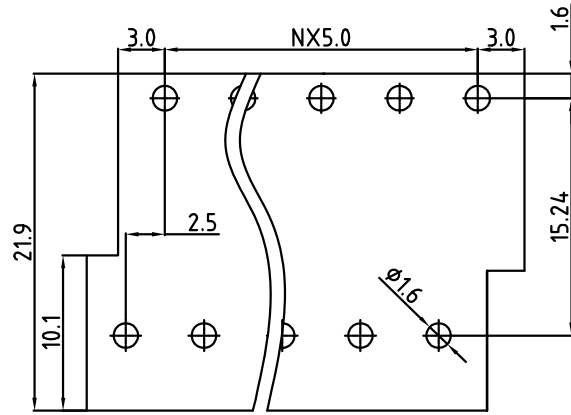


Transfer or duplication of this document as well as the utilisation or communication of its content are not permitted unless express consent is granted. Violations give rise to claims for damages. All rights reserved in case of patent, utility model or design patent registrations.



N=Number of contacts



P.C.B. LAYOUT

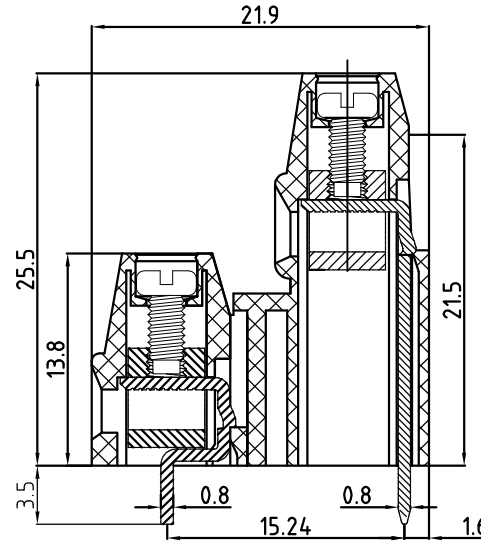
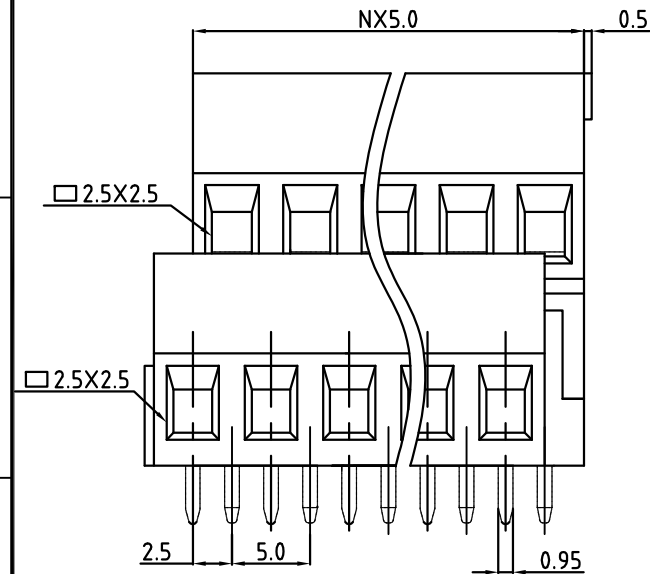
Technical Data:

Electrical

- Pitch: 5.0mm
- Voltage rating: 300V
- Current rating: 16 Amps
- Contact resistance: 20mΩ(max)
- Withstanding Voltage: 2500VAC(1min) Test time=60sec/1pcs
- Wire range: 12-30AWG

Mechanical:

- Torque: 4.5kgf.cm/M2.5
- Operating temperature: -40°C to +105°C
- Soldering temperature
- Temperature= 250°C±10°C /5 seconds max
- Safety approval (pending):
- RoHS Compliance



Part No.:

**OSTYLXX0150**

- |              |                     |
|--------------|---------------------|
| No. of Poles | COLOR               |
| 02 2 Poles   | 0: Black            |
| 03 3 Poles   | 2: Red              |
| ...          | 3: Orange           |
| 24 24 Poles  | 4: Yellow           |
|              | 5: Green (Standard) |
|              | 6: Blue             |
|              | 8: Grey             |

Nonstandard colors  
Mins could apply

| 5    | Screw          | Steel / M2.5              | Cr3+ plated   | 2xN       |
|------|----------------|---------------------------|---------------|-----------|
| 4    | Contact        | Copper Alloy              | Ni plated     | 2xN       |
| 3    | Short Terminal | Copper Alloy              | Tin plated    | 1xN       |
| 2    | Long Terminal  | Copper Alloy              | Tin plated    | 1xN       |
| 1    | Body           | PA66 UL94V-0              |               | 2         |
| ITEM | NAME OF PART   | MATERIAL                  | NOTES         | Q'TY      |
| DWG. | DATE           | UNITS: MM                 | SHEET: 1 OF 1 | Tolerance |
| CHK. | DATE           | SCALE: NONE 3:1 ( : )     | REV.: A       | X. ±0.50  |
| APP. | DATE           | TITLE: OSTYL SERIES 5.0MM |               | X.X ±0.30 |
|      |                | PART NO. OSTYLXX0150      |               | X* ±1°    |
|      |                | DWG NO. OSTYLXX0150.DWG   |               |           |

| REV | △ | SIGN | DESCRIPTION | CHK. | DATE |
|-----|---|------|-------------|------|------|
|     |   |      |             |      |      |



ON-SHORE TECHNOLOGY, INC.