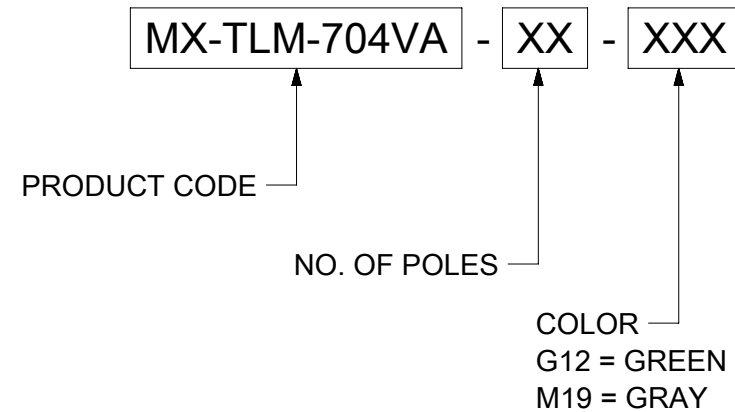




NO. OF CIRCUITS	PART NUMBER	ENGINEERING NUMBER	COLOR	PART NUMBER	ENGINEERING NUMBER	COLOR	DIM. "A" (mm)	DIM. "B" (mm)
02	397003202	MX-TLM-704VA-02-G12	GREEN	397004202	MX-TLM-704VA-02P-M19	GRAY	21.80	10.00
03	397003203	MX-TLM-704VA-03-G12	GREEN	397004203	MX-TLM-704VA-03P-M19	GRAY	31.80	20.00
04	397003204	MX-TLM-704VA-04-G12	GREEN	397004204	MX-TLM-704VA-04P-M19	GRAY	41.80	30.00
05	397003205	MX-TLM-704VA-05-G12	GREEN	397004205	MX-TLM-704VA-05P-M19	GRAY	51.80	40.00
06	397003206	MX-TLM-704VA-06-G12	GREEN	397004206	MX-TLM-704VA-06P-M19	GRAY	61.80	50.00
07	397003207	MX-TLM-704VA-07-G12	GREEN	397004207	MX-TLM-704VA-07P-M19	GRAY	71.80	60.00
08	397003208	MX-TLM-704VA-08-G12	GREEN	397004208	MX-TLM-704VA-08P-M19	GRAY	81.80	70.00
09	397003209	MX-TLM-704VA-09-G12	GREEN	397004209	MX-TLM-704VA-09P-M19	GRAY	91.80	80.00
10	397003210	MX-TLM-704VA-10-G12	GREEN	397004210	MX-TLM-704VA-10P-M19	GRAY	101.80	90.00
11	397003211	MX-TLM-704VA-11-G12	GREEN	397004211	MX-TLM-704VA-11P-M19	GRAY	111.80	100.00
12	397003212	MX-TLM-704VA-12-G12	GREEN	397004212	MX-TLM-704VA-12P-M19	GRAY	121.80	110.00

### ENGINEERING NUMBER LEGEND



Total Pitch Tolerances in mm									Nominal dimension range in mm									⊥	≡	—	//				
over	over	over	over	over	over	over	over	over	over	over	over	over	over	over	over	over	over	over	over	0	over	all	0	100	over
0	30	53	70	90	115	150	200	250	0	30	53	70	90	115	150	200	250	320	0	10		0	100	150	
to	to	to	to	to	to	to	to	to	to	to	to	to	to	to	to	to	to	to	to	to		to	to	to	
30	53	70	90	115	150	200	250	320	30	53	70	90	115	150	200	250	320	10	0.2	0.3	0.3	0.2	0.3	0.5	
±0.18	±0.20	±0.25	±0.30	±0.35	±0.44	±0.55	±0.70	±0.75	±0.20	±0.25	±0.30	±0.35	±0.44	±0.55	±0.70	±0.80	±0.90								

THIS DRAWING CONTAINS INFORMATION THAT IS PROPRIETARY TO MOLEX ELECTRONIC TECHNOLOGIES, LLC AND SHOULD NOT BE USED WITHOUT WRITTEN PERMISSION															
FUNCTIONAL SYMBOLS	DIMENSION UNITS	SCALE	CURRENT REV DESC: CORRECTED DIM "A" IN SHEET-2									molex			
∇ = 0	mm	2:1	GENERAL TOLERANCES (UNLESS SPECIFIED)									SPRING TERMINAL BLOCK 10.00MM PITCH VERTICAL ORIENTATION			
∇ = 0	ANGULAR TOL ± ---		4 PLACES ± ---												
∇ = 0	3 PLACES ± ---		2 PLACES ± SEE CHART									EC NO: 716755 DRWN: ABENJAMINLW      2022/08/04 CHK'D: DACHAMMER      2022/08/04 APPR: JFMURPHY      2022/08/08			
DIVISIONAL SYMBOLS			1 PLACE ± SEE CHART												
			0 PLACES ± ---									DOCUMENT NUMBER      DOC TYPE      DOC PART      REVISION <span style="font-size: 14px; font-weight: bold;">397003202</span> PSD      000      A3			
DRAFT WHERE APPLICABLE MUST REMAIN WITHIN DIMENSIONS			THIRD ANGLE PROJECTION	DRAWING	SERIES	MATERIAL NUMBER		CUSTOMER		SHEET NUMBER					
			⊕	B-SIZE	39700	SEE CHART		GENERAL MARKET		2 OF 2					