



Standard RGB LED Neon Flex



CE RoHS IP65 1 Years Warranty

Product Description

This is a PWM control RGB color LED Neon flexible strip without Pixel the whole body made by silicone material, Anti-fire

It's quite soft that you can bend it easily to make any small sign or logo as the RGB flex side mounted ,so side by side bending direction only instead of up and down the standard size is 5meter per reel, Plus-Minus 5cm ,customized length available

The cutting section is 2.5cm (5cm per unit when it's DC24V version) refering the black mark on the side of Neon, 15cm wire output from each end of flex .

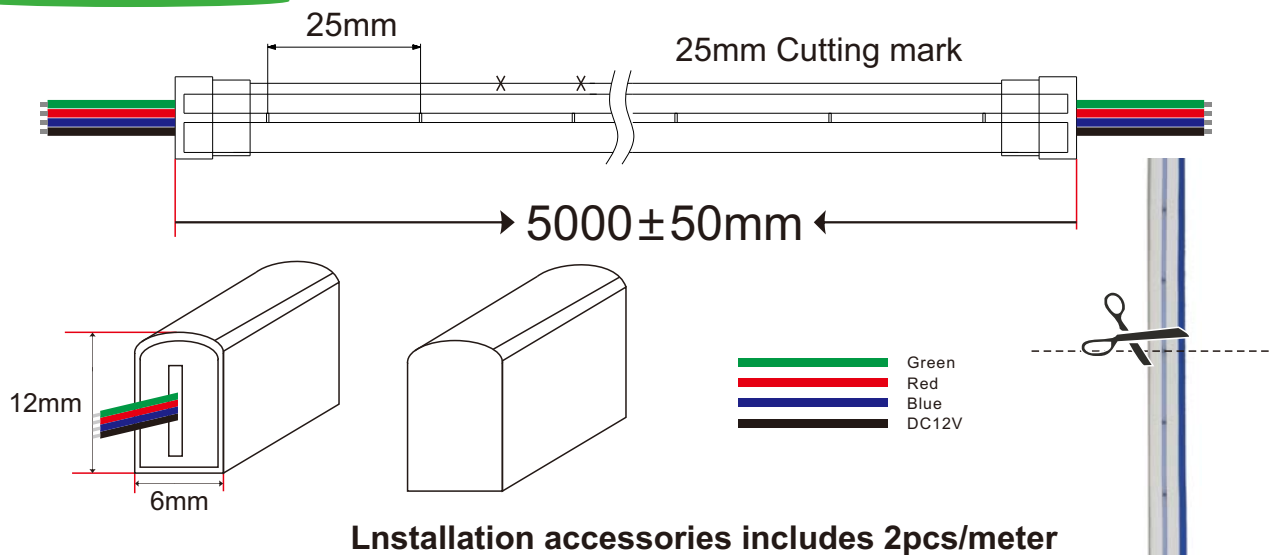




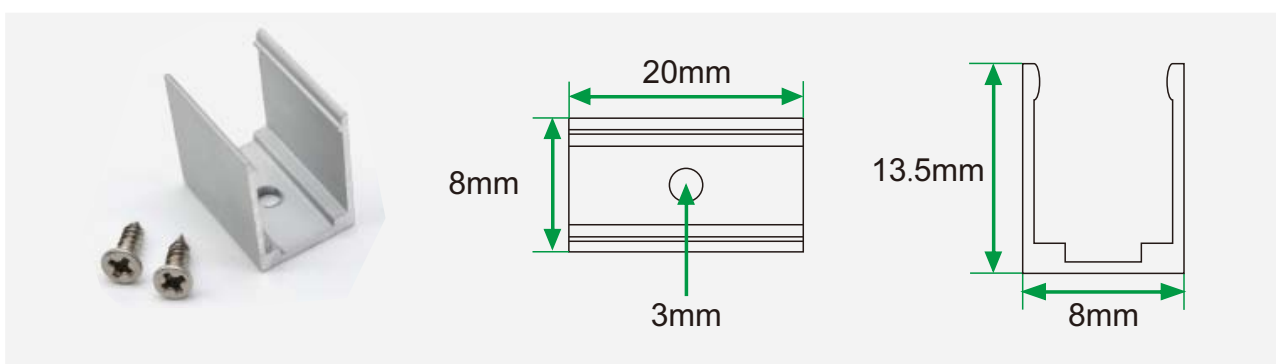
Product Datasheet

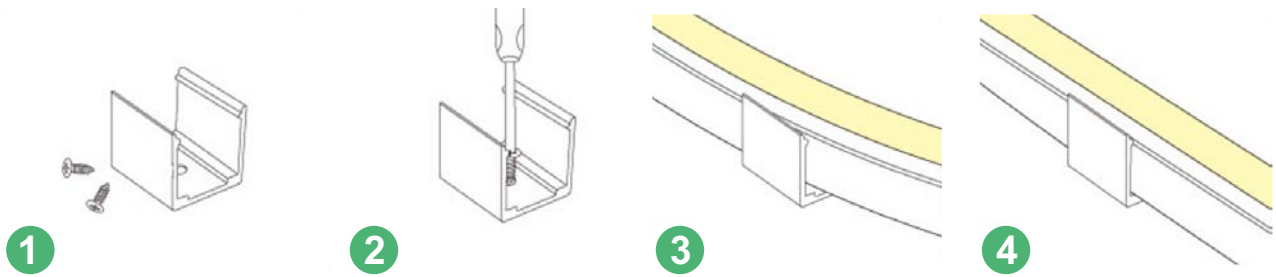
P/N	SN006120TB3LZ	SN006120TC3LZ
Luminance (LM/M)	R: 300lm G: 290lm B: 100lm	/
Dimension	L: 5000MM* W: 6MM* H:12 MM	L: 5000MM* W: 6MM* H:12 MM
Material	Silicon	Silicon
LED Type	SMD LED RGB	SMD LED RGB
LED Quantity	120leds/m	120leds/m
Operating Voltage	DC12V	DC24V
Wattage / Meter	20W (Max)	20W (Max)
Cutting Mark	2.5cm	5cm
IP Level	IP65	IP65
Operation Temperature	-30°C ~ 45°C	-30°C ~ 45°C
Bending Direction	Vertically	Vertically
Net Weight	0.4kg/roll (5m)	0.4kg/roll (5m)

Outline Dimension

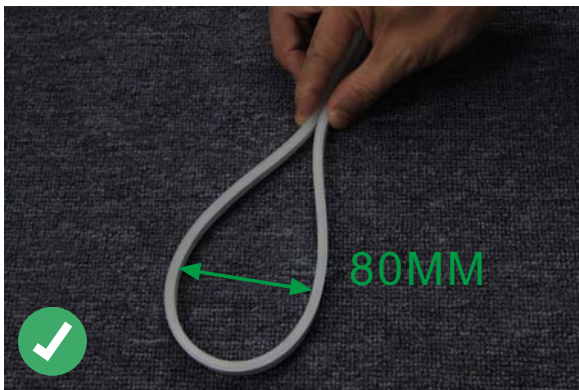


Mount clips (Included)

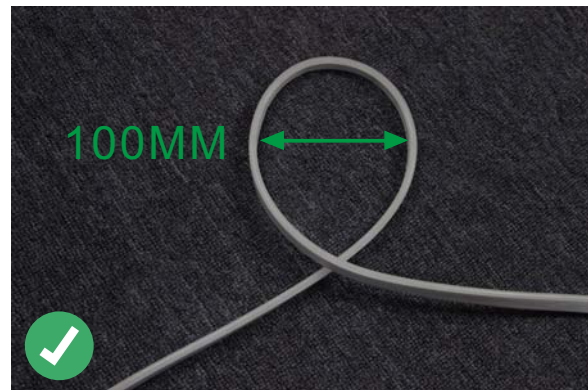




Correct bending way



Face to the lighting surface and fold the strip.
The minimum bending diameter is 80mm



Lighting surface upwards and the strip can be bended to right or left naturally, The minimum bending diameter is 100mm

Incorrect bending way



Face to the side surface (as the picture shows), Do not bend it downward to damage the strip.



(as the picture shows) please do not twist the strip, or it will be damaged