



Is Now Part of



**ON Semiconductor®**

To learn more about ON Semiconductor, please visit our website at  
[www.onsemi.com](http://www.onsemi.com)

Please note: As part of the Fairchild Semiconductor integration, some of the Fairchild orderable part numbers will need to change in order to meet ON Semiconductor's system requirements. Since the ON Semiconductor product management systems do not have the ability to manage part nomenclature that utilizes an underscore (\_), the underscore (\_) in the Fairchild part numbers will be changed to a dash (-). This document may contain device numbers with an underscore (\_). Please check the ON Semiconductor website to verify the updated device numbers. The most current and up-to-date ordering information can be found at [www.onsemi.com](http://www.onsemi.com). Please email any questions regarding the system integration to [Fairchild\\_questions@onsemi.com](mailto:Fairchild_questions@onsemi.com).

ON Semiconductor and the ON Semiconductor logo are trademarks of Semiconductor Components Industries, LLC dba ON Semiconductor or its subsidiaries in the United States and/or other countries. ON Semiconductor owns the rights to a number of patents, trademarks, copyrights, trade secrets, and other intellectual property. A listing of ON Semiconductor's product/patent coverage may be accessed at [www.onsemi.com/site/pdf/Patent-Marking.pdf](http://www.onsemi.com/site/pdf/Patent-Marking.pdf). ON Semiconductor reserves the right to make changes without further notice to any products herein. ON Semiconductor makes no warranty, representation or guarantee regarding the suitability of its products for any particular purpose, nor does ON Semiconductor assume any liability arising out of the application or use of any product or circuit, and specifically disclaims any and all liability, including without limitation special, consequential or incidental damages. Buyer is responsible for its products and applications using ON Semiconductor products, including compliance with all laws, regulations and safety requirements or standards, regardless of any support or applications information provided by ON Semiconductor. "Typical" parameters which may be provided in ON Semiconductor data sheets and/or specifications can and do vary in different applications and actual performance may vary over time. All operating parameters, including "Typicals" must be validated for each customer application by customer's technical experts. ON Semiconductor does not convey any license under its patent rights nor the rights of others. ON Semiconductor products are not designed, intended, or authorized for use as a critical component in life support systems or any FDA Class 3 medical devices or medical devices with a same or similar classification in a foreign jurisdiction or any devices intended for implantation in the human body. Should Buyer purchase or use ON Semiconductor products for any such unintended or unauthorized application, Buyer shall indemnify and hold ON Semiconductor and its officers, employees, subsidiaries, affiliates, and distributors harmless against all claims, costs, damages, and expenses, and reasonable attorney fees arising out of, directly or indirectly, any claim of personal injury or death associated with such unintended or unauthorized use, even if such claim alleges that ON Semiconductor was negligent regarding the design or manufacture of the part. ON Semiconductor is an Equal Opportunity/Affirmative Action Employer. This literature is subject to all applicable copyright laws and is not for resale in any manner.

# 74LVX373

## Low Voltage Octal Transparent Latch with 3-STATE Outputs

### General Description

The LVX373 consists of eight latches with 3-STATE outputs for bus organized system applications. The latches appear transparent to the data when Latch Enable (LE) is HIGH. When LE is LOW, the data satisfying the input timing requirements is latched. Data appears on the bus when the Output Enable ( $\overline{OE}$ ) is LOW. When  $\overline{OE}$  is HIGH, the bus output is in the high impedance state. The inputs tolerate up to 7V allowing interface of 5V systems to 3V systems.

### Features

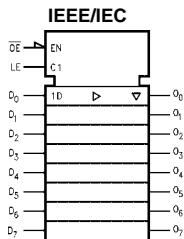
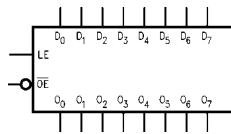
- Input voltage translation from 5V to 3V
- Ideal for low power/low noise 3.3V applications
- Guaranteed simultaneous switching noise level and dynamic threshold performance

### Ordering Code:

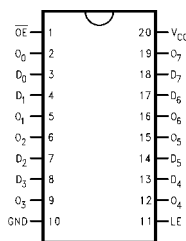
| Order Number | Package Number | Package Description   |
|--------------|----------------|---|
| 74LVX373M    | M20B           | 20-Lead Small Outline Integrated Circuit (SOIC), JEDEC MS-013, 0.300" Wide  |
| 74LVX373SJ   | M20D           | Pb-Free 20-Lead Small Outline Package (SOP), EIAJ TYPE II, 5.3mm Wide       |
| 74LVX373MTC  | MTC20          | 20-Lead Thin Shrink Small Outline Package (TSSOP), JEDEC MO-153, 4.4mm Wide |

Devices also available in Tape and Reel. Specify by appending suffix letter "X" to the ordering code.  
Pb-Free package per JEDEC J-STD-020B.

### Logic Symbols



### Connection Diagram



### Pin Descriptions

| Pin Names                      | Description           |
|--------------------------------|-----------------------|
| D <sub>0</sub> -D <sub>7</sub> | Data Inputs           |
| LE                             | Latch Enable Input    |
| $\overline{OE}$                | Output Enable Input   |
| O <sub>0</sub> -O <sub>7</sub> | 3-STATE Latch Outputs |

### Truth Table

| Inputs |                 |                | Outputs        |
|--------|-----------------|----------------|----------------|
| LE     | $\overline{OE}$ | D <sub>n</sub> | O <sub>n</sub> |
| X      | H               | X              | Z              |
| H      | L               | L              | L              |
| H      | L               | H              | H              |
| L      | L               | X              | O <sub>0</sub> |

H = HIGH Voltage Level  
L = LOW Voltage Level  
Z = High Impedance  
X = Immaterial  
O<sub>0</sub> = Previous O<sub>0</sub> before HIGH-to-LOW transition of Latch Enable

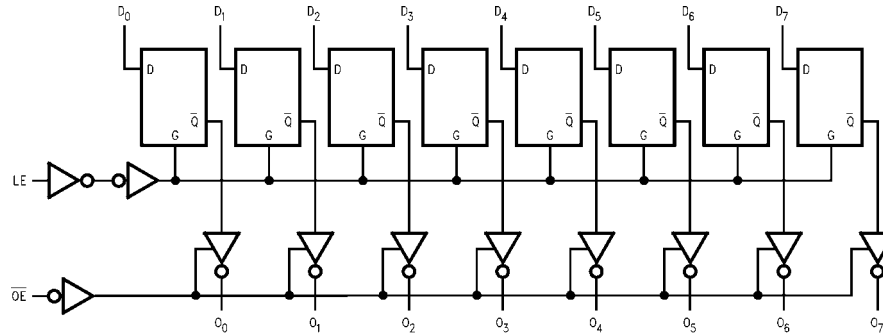
74LVX373 Low Voltage Octal Transparent Latch with 3-STATE Outputs

## Functional Description

The LVX373 contains eight D-type latches with 3-STATE standard outputs. When the Latch Enable (LE) input is HIGH, data on the  $D_n$  inputs enters the latches. In this condition the latches are transparent, i.e., a latch output will change state each time its D input changes. When LE is LOW, the latches store the information that was present on the D inputs a setup time preceding the HIGH-to-LOW tran-

sition of LE. The 3-STATE standard outputs are controlled by the Output Enable ( $\overline{OE}$ ) input. When  $\overline{OE}$  is LOW, the standard outputs are in the 2-state mode. When  $\overline{OE}$  is HIGH, the standard outputs are in the high impedance mode but this does not interfere with entering new data into the latches.

## Logic Diagram



Please note that this diagram is provided only for the understanding of logic operations and should not be used to estimate propagation delays.

**Absolute Maximum Ratings** (Note 1)

|                                      |                          |
|--------------------------------------|--------------------------|
| Supply Voltage ( $V_{CC}$ )          | -0.5V to +7.0V           |
| DC Input Diode Current ( $I_{IK}$ )  |                          |
| $V_I = -0.5V$                        | -20 mA                   |
| DC Input Voltage ( $V_I$ )           | -0.5V to 7V              |
| DC Output Diode Current ( $I_{OK}$ ) |                          |
| $V_O = -0.5V$                        | -20 mA                   |
| $V_O = V_{CC} + 0.5V$                | +20 mA                   |
| DC Output Voltage ( $V_O$ )          | -0.5V to $V_{CC} + 0.5V$ |
| DC Output Source                     |                          |
| or Sink Current ( $I_O$ )            | $\pm 25$ mA              |
| DC $V_{CC}$ or Ground Current        |                          |
| ( $I_{CC}$ or $I_{GND}$ )            | $\pm 75$ mA              |
| Storage Temperature ( $T_{STG}$ )    | -65°C to +150°C          |
| Power Dissipation                    | 180 mW                   |

**Recommended Operating Conditions** (Note 2)

|  |                    |
|--|--------------------|
| Supply Voltage ( $V_{CC}$ )                      | 2.0V to 3.6V       |
| Input Voltage ( $V_I$ )                          | 0V to 5.5V         |
| Output Voltage ( $V_O$ )                         | 0V to $V_{CC}$     |
| Operating Temperature ( $T_A$ )                  | -40°C to +85°C     |
| Input Rise and Fall Time ( $\Delta t/\Delta V$ ) | 0 ns/V to 100 ns/V |

**Note 1:** The "Absolute Maximum Ratings" are those values beyond which the safety of the device cannot be guaranteed. The device should not be operated at these limits. The parametric values defined in the Electrical Characteristics tables are not guaranteed at the absolute maximum ratings. The "Recommended Operating Conditions" table will define the conditions for actual device operation.

**Note 2:** Unused inputs must be held HIGH or LOW. They may not float.

**DC Electrical Characteristics**

| Symbol   | Parameter                           | $V_{CC}$ | $T_A = +25^\circ\text{C}$ |     |            | $T_A = -40^\circ\text{C to } +85^\circ\text{C}$ |           | Units         | Conditions   |
|----------|-------------------------------------|----------|---------------------------|-----|------------|---|-----------|---------------|--|
|          |                                     |          | Min                       | Typ | Max        | Min   | Max       |               |  |
| $V_{IH}$ | HIGH Level<br>Input Voltage         | 2.0      | 1.5                       |     |            | 1.5   |           | V             |  |
|          |                                     | 3.0      | 2.0                       |     |            | 2.0   |           |               |  |
|          |                                     | 3.6      | 2.4                       |     |            | 2.4   |           |               |  |
| $V_{IL}$ | LOW Level<br>Input Voltage          | 2.0      |                           |     | 0.5        |   | 0.5       | V             |  |
|          |                                     | 3.0      |                           |     | 0.8        |   | 0.8       |               |  |
|          |                                     | 3.6      |                           |     | 0.8        |   | 0.8       |               |  |
| $V_{OH}$ | HIGH Level<br>Output Voltage        | 2.0      | 1.9                       | 2.0 |            | 1.9   |           | V             | $V_{IN} = V_{IH}$ or $V_{IL}$<br>$I_{OH} = -50 \mu\text{A}$<br>$I_{OH} = -50 \mu\text{A}$<br>$I_{OH} = -4 \text{mA}$ |
|          |                                     | 3.0      | 2.9                       | 3.0 |            | 2.9   |           |               |  |
|          |                                     | 3.0      | 2.58                      |     |            | 2.48  |           |               |  |
| $V_{OL}$ | LOW Level<br>Output Voltage         | 2.0      |                           | 0.0 | 0.1        |   | 0.1       | V             | $V_{IN} = V_{IH}$ or $V_{IL}$<br>$I_{OL} = 50 \mu\text{A}$<br>$I_{OL} = 50 \mu\text{A}$<br>$I_{OL} = 4 \text{mA}$    |
|          |                                     | 3.0      |                           | 0.0 | 0.1        |   | 0.1       |               |  |
|          |                                     | 3.0      |                           |     | 0.36       |   | 0.44      |               |  |
| $I_{OZ}$ | 3-STATE Output<br>Off-State Current | 3.6      |                           |     | $\pm 0.25$ |   | $\pm 2.5$ | $\mu\text{A}$ | $V_{IN} = V_{IH}$ or $V_{IL}$<br>$V_{OUT} = V_{CC}$ or GND   |
| $I_{IN}$ | Input Leakage Current               | 3.6      |                           |     | $\pm 0.1$  |   | $\pm 1.0$ | $\mu\text{A}$ | $V_{IN} = 5.5V$ or GND   |
| $I_{CC}$ | Quiescent Supply Current            | 3.6      |                           |     | 4.0        |   | 40.0      | $\mu\text{A}$ | $V_{IN} = V_{CC}$ or GND   |

**Noise Characteristics** (Note 3)

| Symbol    | Parameter                                | $V_{CC}$<br>(V) | $T_A = 25^\circ\text{C}$ |       | Units | $C_L$ (pF) |
|-----------|--|-----------------|--------------------------|-------|-------|------------|
|           |  |                 | Typ                      | Limit |       |            |
| $V_{OLP}$ | Quiet Output Maximum Dynamic $V_{OL}$    | 3.3             | 0.5                      | 0.8   | V     | 50         |
| $V_{OLV}$ | Quiet Output Minimum Dynamic $V_{OL}$    | 3.3             | -0.5                     | -0.8  | V     | 50         |
| $V_{IHD}$ | Minimum HIGH Level Dynamic Input Voltage | 3.3             |                          | 2.0   | V     | 50         |
| $V_{ILD}$ | Maximum LOW Level Dynamic Input Voltage  | 3.3             |                          | 0.8   | V     | 50         |

**Note 3:** Input  $t_r = t_f = 3$  ns.

## AC Electrical Characteristics

| Symbol                                 | Parameter  | V <sub>CC</sub><br>(V) | T <sub>A</sub> = +25°C |      |     | T <sub>A</sub> = -40°C to +85°C |     | Units   | Conditions |
|--|--|------------------------|------------------------|------|-----|---------------------------------|-----|---|------------|
|  |  |                        | Min                    | Typ  | Max | Min                             | Max |   |            |
| t <sub>PLH</sub><br>t <sub>PHL</sub>   | Propagation Delay Time<br>D <sub>n</sub> to O <sub>n</sub> | 2.7                    | 7.7                    | 15.0 | 1.0 | 18.5                            | ns  | C <sub>L</sub> = 15 pF                        |            |
|  |  |                        | 10.2                   | 18.5 | 1.0 | 22.0                            |     | C <sub>L</sub> = 50 pF                        |            |
|  |  | 3.3 ± 0.3              | 6.0                    | 9.7  | 1.0 | 11.5                            |     | C <sub>L</sub> = 15 pF                        |            |
|  |  |                        | 8.5                    | 13.2 | 1.0 | 15.0                            |     | C <sub>L</sub> = 50 pF                        |            |
| t <sub>PLH</sub><br>t <sub>PHL</sub>   | Propagation Delay Time<br>LE to O <sub>n</sub>             | 2.7                    | 7.5                    | 14.5 | 1.0 | 17.5                            | ns  | C <sub>L</sub> = 15 pF                        |            |
|  |  |                        | 10.0                   | 18.0 | 1.0 | 21.0                            |     | C <sub>L</sub> = 50 pF                        |            |
|  |  | 3.3 ± 0.3              | 5.8                    | 9.3  | 1.0 | 11.0                            |     | C <sub>L</sub> = 15 pF                        |            |
|  |  |                        | 8.3                    | 12.8 | 1.0 | 14.5                            |     | C <sub>L</sub> = 50 pF                        |            |
| t <sub>PZL</sub><br>t <sub>PZH</sub>   | 3-STATE Output<br>Enable Time                              | 2.7                    | 7.7                    | 15.0 | 1.0 | 18.5                            | ns  | C <sub>L</sub> = 15 pF, R <sub>L</sub> = 1 kΩ |            |
|  |  |                        | 10.2                   | 18.5 | 1.0 | 22.0                            |     | C <sub>L</sub> = 50 pF, R <sub>L</sub> = 1 kΩ |            |
|  |  | 3.3 ± 0.3              | 6.0                    | 9.7  | 1.0 | 11.5                            |     | C <sub>L</sub> = 15 pF, R <sub>L</sub> = 1 kΩ |            |
|  |  |                        | 8.5                    | 13.2 | 1.0 | 15.0                            |     | C <sub>L</sub> = 50 pF, R <sub>L</sub> = 1 kΩ |            |
| t <sub>PLZ</sub><br>t <sub>PHZ</sub>   | 3-STATE Output<br>Disable Time                             | 2.7                    | 9.8                    | 18.0 | 1.0 | 21.0                            | ns  | C <sub>L</sub> = 50 pF, R <sub>L</sub> = 1 kΩ |            |
|  |  | 3.3 ± 0.3              | 8.2                    | 12.8 | 1.0 | 14.5                            |     | C <sub>L</sub> = 50 pF, R <sub>L</sub> = 1 kΩ |            |
| t <sub>W</sub>                         | LE Pulse Width, HIGH                                       | 2.7                    | 6.5                    |      | 7.5 |                                 | ns  |   |            |
|  |  | 3.3 ± 0.3              | 5.0                    |      | 5.0 |                                 |     |   |            |
| t <sub>S</sub>                         | Setup Time, D <sub>n</sub> to LE                           | 2.7                    | 6.0                    |      | 6.0 |                                 | ns  |   |            |
|  |  | 3.3 ± 0.3              | 4.0                    |      | 4.0 |                                 |     |   |            |
| t <sub>H</sub>                         | Hold Time, D <sub>n</sub> to LE                            | 2.7                    | 1.0                    |      | 1.0 |                                 | ns  |   |            |
|  |  | 3.3 ± 0.3              | 1.0                    |      | 1.0 |                                 |     |   |            |
| t <sub>OSLH</sub><br>t <sub>OSHL</sub> | Output to Output Skew<br>(Note 4)                          | 2.7                    |                        | 1.5  |     | 1.5                             | ns  | C <sub>L</sub> = 50 pF                        |            |
|  |  | 3.3                    |                        | 1.5  |     | 1.5                             |     |   |            |

Note 4: Parameter guaranteed by design.  $t_{OSLH} = |t_{PLHm} - t_{PLHn}|$ ,  $t_{OSHL} = |t_{PHLm} - t_{PHLn}|$

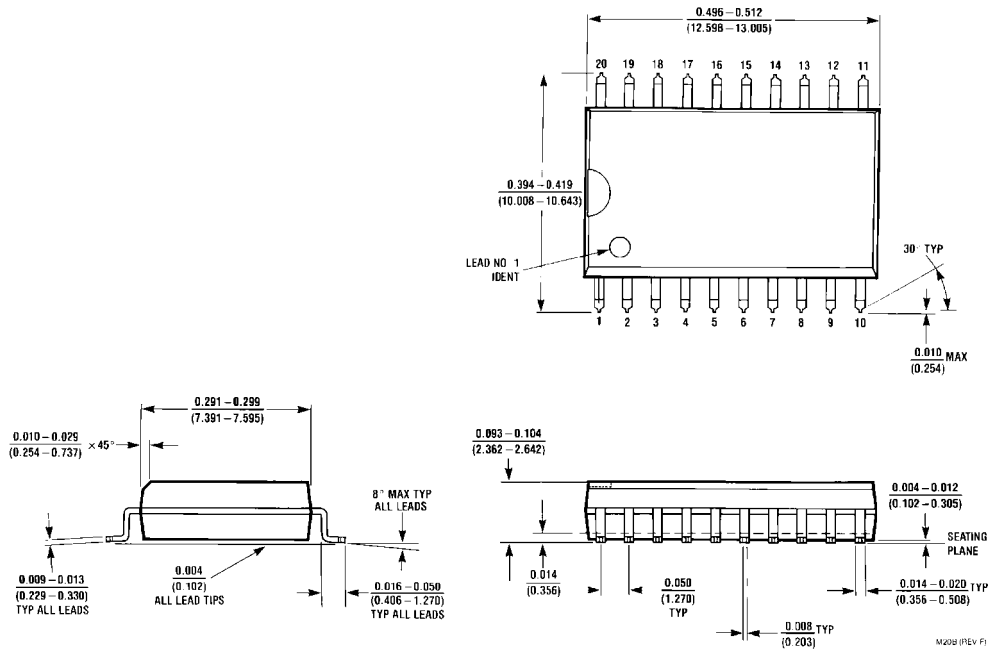
## Capacitance

| Symbol           | Parameter                                 | T <sub>A</sub> = +25°C |     |     | T <sub>A</sub> = -40°C to +85°C |     | Units |
|------------------|---|------------------------|-----|-----|---------------------------------|-----|-------|
|                  |   | Min                    | Typ | Max | Min                             | Max |       |
| C <sub>IN</sub>  | Input Capacitance                         |                        | 4   | 10  |                                 |     | pF    |
| C <sub>OUT</sub> | Output Capacitance                        |                        | 6   |     |                                 |     | pF    |
| C <sub>PD</sub>  | Power Dissipation<br>Capacitance (Note 5) |                        | 27  |     |                                 |     | pF    |

Note 5: C<sub>PD</sub> is defined as the value of the internal equivalent capacitance which is calculated from the operating current consumption without load.

$$\text{Average operating current can be obtained by the equation: } I_{CC(opr)} = \frac{C_{PD} \times V_{CC} \times f_{IN} + I_{CC}}{8 \text{ (per Latch)}}$$

**Physical Dimensions** inches (millimeters) unless otherwise noted



**20-Lead Small Outline Integrated Circuit (SOIC), JEDEC MS-013, 0.300" Wide Package Number M20B**

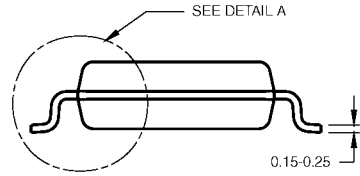
**Physical Dimensions** inches (millimeters) unless otherwise noted (Continued)



LAND PATTERN RECOMMENDATION

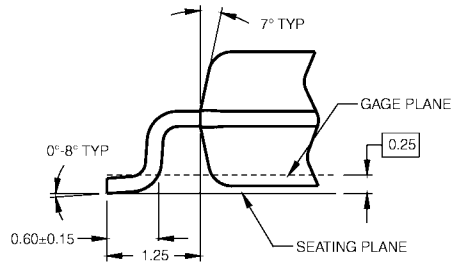


DIMENSIONS ARE IN MILLIMETERS



- NOTES:
- A. CONFORMS TO EIAJ EDR-7320 REGISTRATION, ESTABLISHED IN DECEMBER, 1998.
  - B. DIMENSIONS ARE IN MILLIMETERS.
  - C. DIMENSIONS ARE EXCLUSIVE OF BURRS, MOLD FLASH, AND TIE BAR EXTRUSIONS.

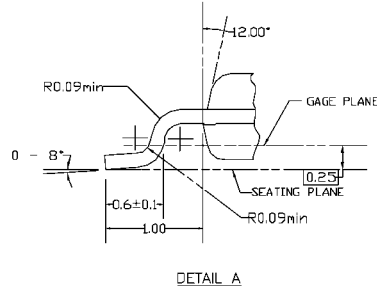
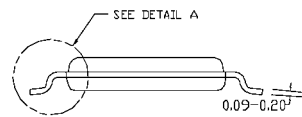
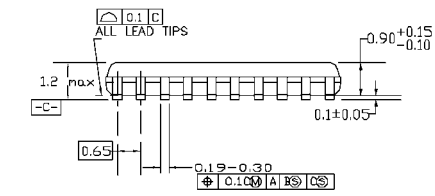
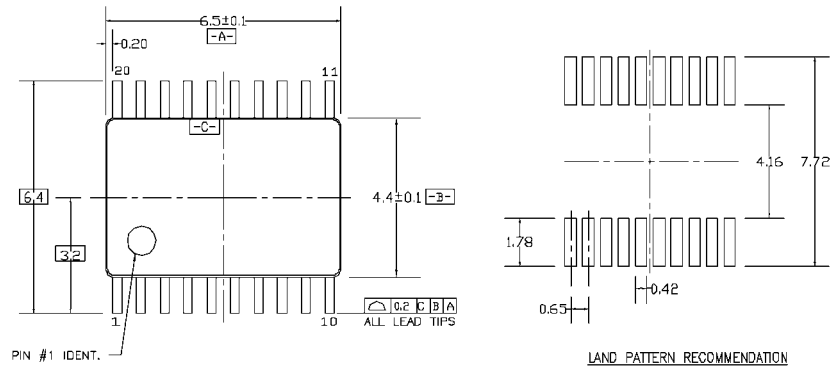
M20DRevB1



DETAIL A

**Pb-Free 20-Lead Small Outline Package (SOP), EIAJ TYPE II, 5.3mm Wide Package Number M20D**

**Physical Dimensions** inches (millimeters) unless otherwise noted (Continued)



DIMENSIONS ARE IN MILLIMETERS

**NOTES:**

- A. CONFORMS TO JEDEC REGISTRATION MO-153, VARIATION AC, REF NOTE 6, DATE 7/93.
- B. DIMENSIONS ARE IN MILLIMETERS.
- C. DIMENSIONS ARE EXCLUSIVE OF BURRS, MOLDS FLASH, AND TIE BAR EXTRUSIONS.
- D. DIMENSIONS AND TOLERANCES PER ANSI Y14.5M, 1982.

MTC20REV D1

**20-Lead Thin Shrink Small Outline Package (TSSOP), JEDEC MO-153, 4.4mm Wide Package Number MTC20**

Fairchild does not assume any responsibility for use of any circuitry described, no circuit patent licenses are implied and Fairchild reserves the right at any time without notice to change said circuitry and specifications.

**LIFE SUPPORT POLICY**

FAIRCHILD'S PRODUCTS ARE NOT AUTHORIZED FOR USE AS CRITICAL COMPONENTS IN LIFE SUPPORT DEVICES OR SYSTEMS WITHOUT THE EXPRESS WRITTEN APPROVAL OF THE PRESIDENT OF FAIRCHILD SEMICONDUCTOR CORPORATION. As used herein:

1. Life support devices or systems are devices or systems which, (a) are intended for surgical implant into the body, or (b) support or sustain life, and (c) whose failure to perform when properly used in accordance with instructions for use provided in the labeling, can be reasonably expected to result in a significant injury to the user.
2. A critical component in any component of a life support device or system whose failure to perform can be reasonably expected to cause the failure of the life support device or system, or to affect its safety or effectiveness.

[www.fairchildsemi.com](http://www.fairchildsemi.com)



ON Semiconductor and  are trademarks of Semiconductor Components Industries, LLC dba ON Semiconductor or its subsidiaries in the United States and/or other countries. ON Semiconductor owns the rights to a number of patents, trademarks, copyrights, trade secrets, and other intellectual property. A listing of ON Semiconductor's product/patent coverage may be accessed at [www.onsemi.com/site/pdf/Patent-Marking.pdf](http://www.onsemi.com/site/pdf/Patent-Marking.pdf). ON Semiconductor reserves the right to make changes without further notice to any products herein. ON Semiconductor makes no warranty, representation or guarantee regarding the suitability of its products for any particular purpose, nor does ON Semiconductor assume any liability arising out of the application or use of any product or circuit, and specifically disclaims any and all liability, including without limitation special, consequential or incidental damages. Buyer is responsible for its products and applications using ON Semiconductor products, including compliance with all laws, regulations and safety requirements or standards, regardless of any support or applications information provided by ON Semiconductor. "Typical" parameters which may be provided in ON Semiconductor data sheets and/or specifications can and do vary in different applications and actual performance may vary over time. All operating parameters, including "Typicals" must be validated for each customer application by customer's technical experts. ON Semiconductor does not convey any license under its patent rights nor the rights of others. ON Semiconductor products are not designed, intended, or authorized for use as a critical component in life support systems or any FDA Class 3 medical devices or medical devices with a same or similar classification in a foreign jurisdiction or any devices intended for implantation in the human body. Should Buyer purchase or use ON Semiconductor products for any such unintended or unauthorized application, Buyer shall indemnify and hold ON Semiconductor and its officers, employees, subsidiaries, affiliates, and distributors harmless against all claims, costs, damages, and expenses, and reasonable attorney fees arising out of, directly or indirectly, any claim of personal injury or death associated with such unintended or unauthorized use, even if such claim alleges that ON Semiconductor was negligent regarding the design or manufacture of the part. ON Semiconductor is an Equal Opportunity/Affirmative Action Employer. This literature is subject to all applicable copyright laws and is not for resale in any manner.

## PUBLICATION ORDERING INFORMATION

### LITERATURE FULFILLMENT:

Literature Distribution Center for ON Semiconductor  
19521 E. 32nd Pkwy, Aurora, Colorado 80011 USA  
**Phone:** 303-675-2175 or 800-344-3860 Toll Free USA/Canada  
**Fax:** 303-675-2176 or 800-344-3867 Toll Free USA/Canada  
**Email:** [orderlit@onsemi.com](mailto:orderlit@onsemi.com)

**N. American Technical Support:** 800-282-9855 Toll Free  
USA/Canada  
**Europe, Middle East and Africa Technical Support:**  
Phone: 421 33 790 2910  
**Japan Customer Focus Center**  
Phone: 81-3-5817-1050

**ON Semiconductor Website:** [www.onsemi.com](http://www.onsemi.com)  
**Order Literature:** <http://www.onsemi.com/orderlit>  
For additional information, please contact your local  
Sales Representative