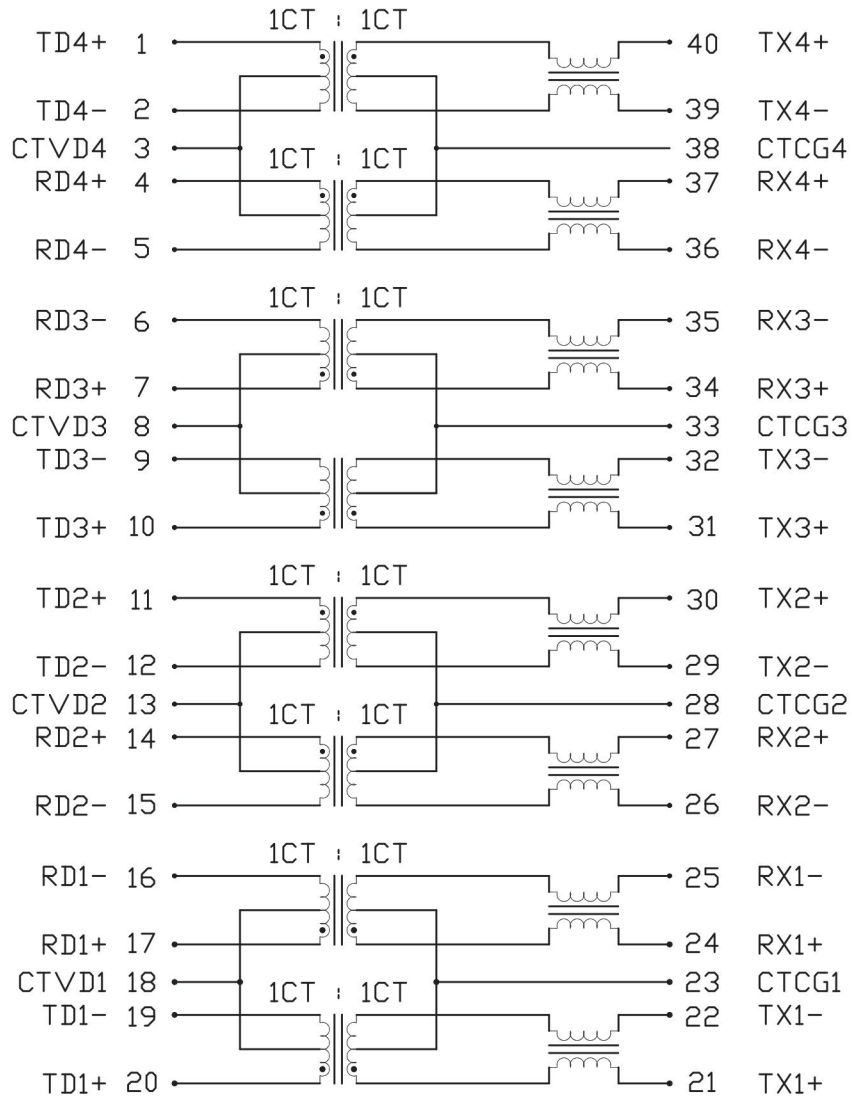


THE INFORMATION CONTAINED HEREIN IS CONSIDERED 'PROPRIETARY' TO BEL FUSE INC. AND SHALL NOT BE COPIED, REPRODUCED OR DISCLOSED WITHOUT THE WRITTEN APPROVAL OF BEL FUSE INC.

ELECTRICAL CHARACTERISTICS @ 25°C



SCHEMATIC



URNS RATIO

Tx SIDE: 1CT : 1CT
Rx SIDE: 1CT : 1CT

POLARITY :

Rx 4°&37°, 7°&34°, 14°&27°, 17°&24°
Tx 1°&40°, 10°&31°, 11°&30°, 20°&21°
IN PHASE

QCL

350μH MIN. @ 100kHz, 100mV
WITH 8mA D.C. BIAS.

INSERTION LOSS

@ 100kHz - 80MHz 1.0 dB MAX

RETURN LOSS

MEASURED UNDER A
100 Ω ENVIRONMENT

@ 0.1MHz - 30MHz 18 dB MIN.
@ 30MHz - 60MHz 18-20 LOG(f/30MHz)
@ 60MHz - 80MHz 12 dB MIN.

COMMON TO DIFFERENTIAL

MODE REJECTION

@ 0.1MHz TO 100MHz 40 dB MIN.

COMMON TO COMMON

MODE REJECTION

@ 0.1MHz TO 100MHz 35 dB MIN.
@ 100MHz TO 500MHz 20 dB MIN.

CROSSTALK

@ 0.1MHz TO 100MHz 32 dB MIN.

HIPOT

PER HAND-WORK-03

NOTES :

THIS PRODUCT HAS BEEN SUPPLYING TO JAPAN CUSTOMERS. PCN PROCESS NEEDS TO COMPLY WITH 4M CRITERIA.

REV. : D PAGE : 2

ORIGINATED BY	DATE	TITLE
Alice Pang	2015-07-16	
DRAWN BY	DATE	
ZC Guo	2015-07-16	ELECTRICAL SPECIFICATION S558-5999-Q9-F

PART NO. / DRAWING NO.	X5585999Q9-F
FILE NAME	X5585999Q9FD.DWG

STANDARD DIM.	[] METRIC DIM. AS REF.
TOL. IN INCH	UNIT : INCH [mm]
.X	SCALE : N/A
.XX	SIZE : A4
.XXX	

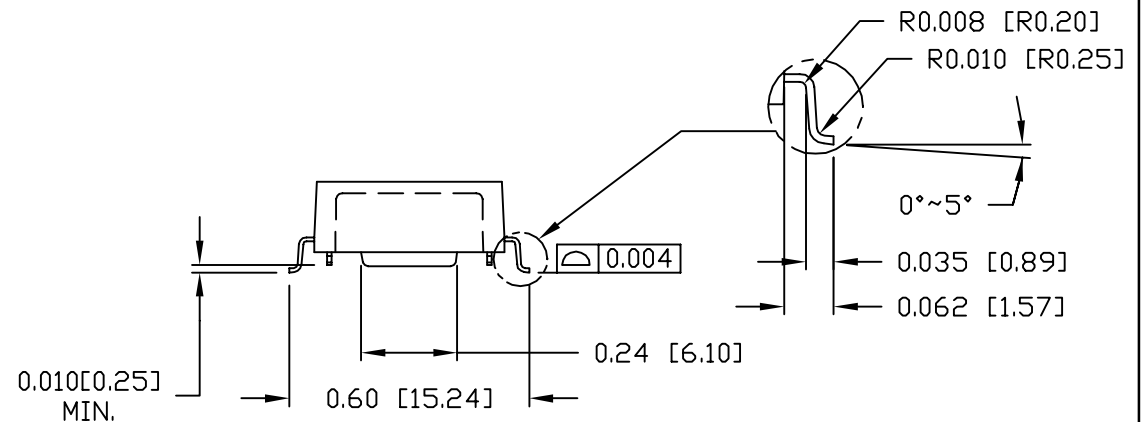
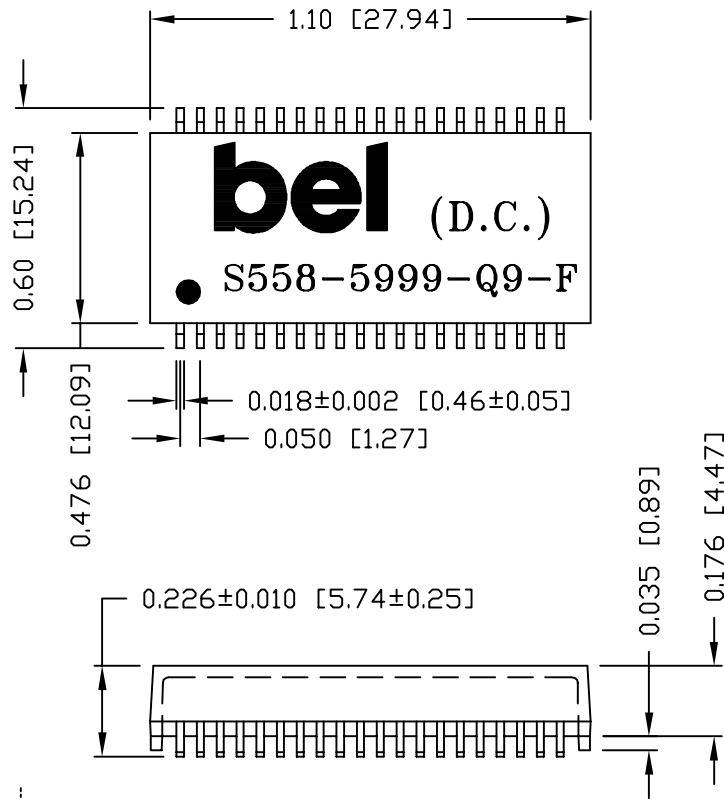
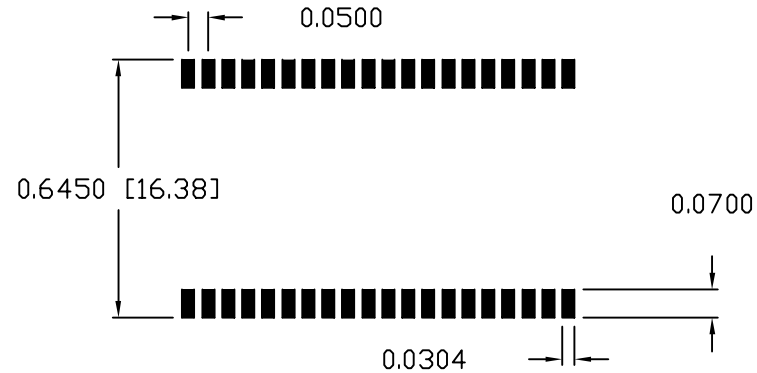


THE INFORMATION CONTAINED HEREIN IS CONSIDERED "PROPRIETARY" TO BEL FUSE INC. AND SHALL NOT BE COPIED, REPRODUCED OR DISCLOSED WITHOUT THE WRITTEN APPROVAL OF BEL FUSE INC.

RoHS



SUGGESTED PCB PAD LAYOUT



NOTES :

1. STANDARD MARKING REFER TO DOC. HAND-WORK-04.
2. PACKAGE CODE: "RRS001".
3. THIS PRODUCT HAS BEEN SUPPLYING TO JAPAN CUSTOMERS. PCN PROCESS NEEDS TO COMPLY WITH 4M CRITERIA.

ORIGINATED BY Lawrence Tsang	DATE 2017-02-15	TITLE MECHANICAL DRAWING S558-5999-Q9-F	PART NO. / DRAWING NO. X5585999Q9-F	STANDARD DIM. TOL. IN INCH .X .XX ±0.01 .XXX ±0.005	[] METRIC DIM. AS REF. UNIT : INCH [mm] SCALE : N/A SIZE : A4	REV. : H	PAGE : 3
DRAWN BY ZC Guo	DATE 2017-02-15		FILE NAME X5585999Q9FH.DWG				