



RFM Integrated Device, Inc.

PRODUCT SPECIFICATION

Part Number: CDR2009

DR Filter, Sub 6G/ 5th G, 4700
MHz, BW 200, IL 1.5



ELECTRICAL CHARACTERISTICS:

This filter satisfies Table 1 at Temperature Range : -40 to

+85°C CENTER FREQUENCY :fo=4700 MHz

PASSBAND WIDTH :4600~4800 MHz

INPUT/OUTPUT IMPEDANCE :50Ω

Max. INPUT POWER : 10 W

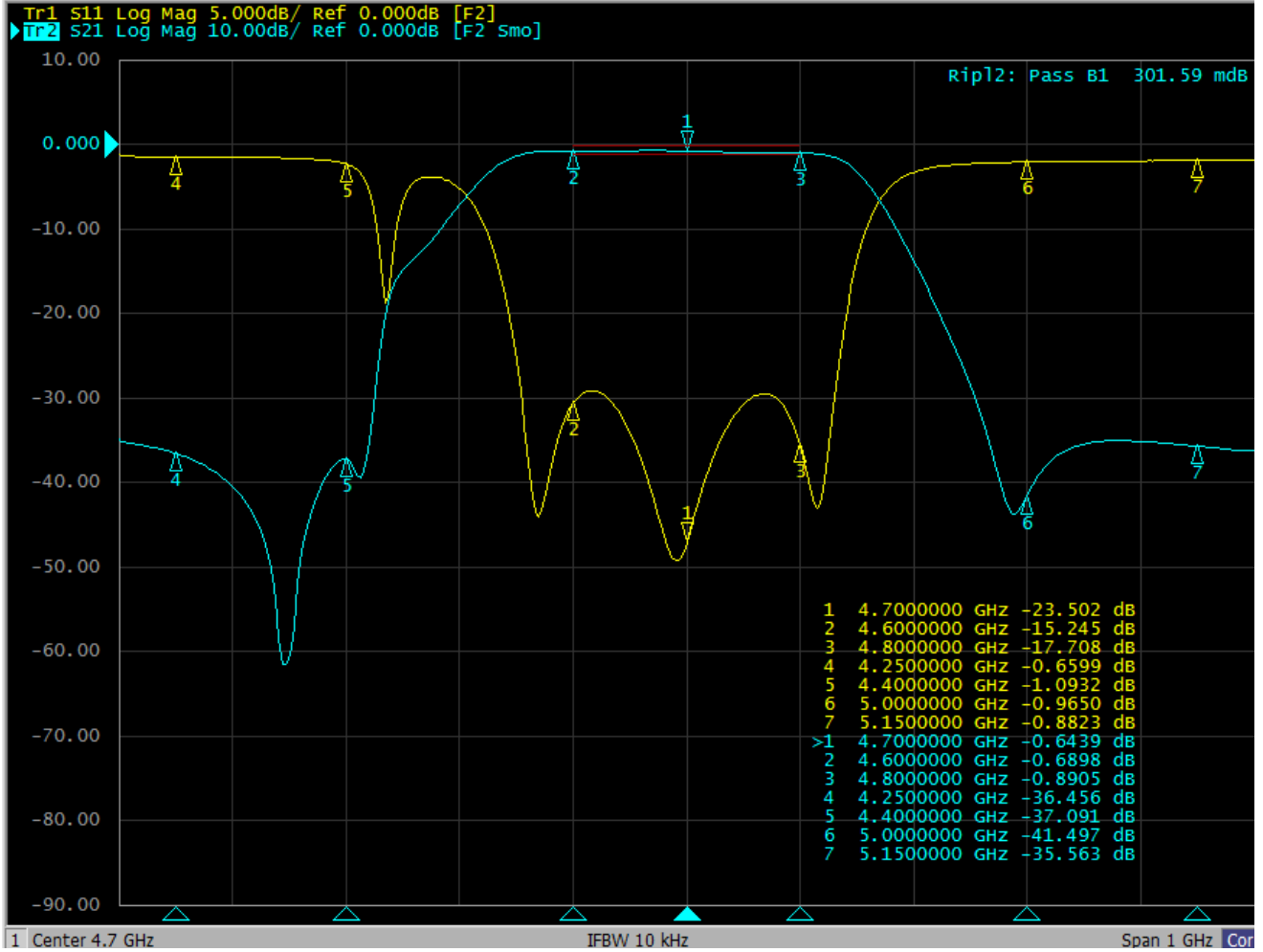
Moisture Sensitivity Level: MSL2a

TABLE 1

NO.	ITEM		SPECIFICATION	
			Min	Max
1	PASS BAND INSERTION LOSS			1.5 dB
2	PASS BAND RIPPLE			1.0 dB
3	PASS BAND RETURN LOSS		10 dB	
4	STOP—BAND ATTENUATION	at 4250~4400 MHz	30 dB	
		at 5000~5150 MHz	30 dB	
Item NO.4 specifies the absolute value of attenuation.				

※Data is measured on the manufacturer's EVB board

TYPICAL ELECTRICAL CHARACTERISTICS



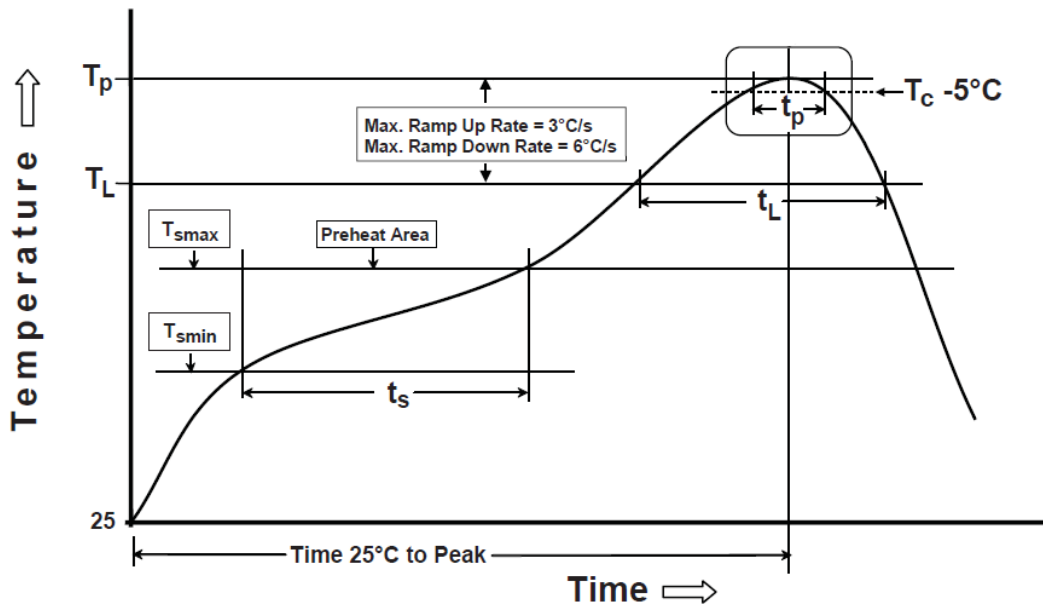
2. Recommended Reflow Soldering Profile

The products can be assembled following Pb-free assembly. According to the Standard IPC/ JEDEC J-STD-020C, the temperature profile suggested is as follow:

Phase	Profile features	Pb-Free Assembly (SnAgCu)
PREHEAT	-Temperature Min(T_{smin}) -Temperature Max(T_{smax}) -Time(t_s) form (T_{smin} to T_{smax})	150°C 200°C 60-120 seconds
RAMP-UP	Avg. Ramp-up Rate (T_{smax} to TP)	3°C/second(max)
REFLOW	-Temperature(T_L) -Total Time above T_L (t_L)	217°C 30-100 seconds
PEAK	-Temperature(T_P) -Time(t_p)	260°C 3 second
RAMP-DOWN	Rate	6°C / second max.
Time from 25°C to Peak Temperature		8 minutes max.
Composition of solder paste		96.5Sn/3Ag/0.5Cu
Solder Paste Model		SHENMAO PF606-P26

Note : All the temperature measure point is on top surface of the component, if temperature over recommend, it will make component surface peeling or damage.

The graphic shows temperature profile for component assembly process in reflow ovens



Soldering With Iron:

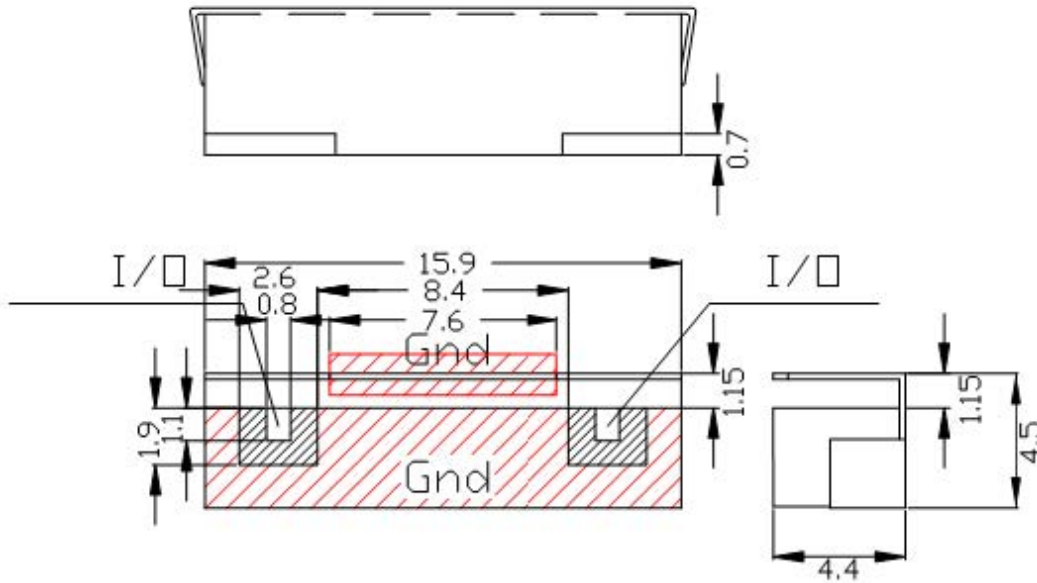
Soldering condition : Soldering iron temperature 270 ± 10 °C.

Apply preheating at 120°C for 2-3 minutes. Finish soldering for each terminal within 3 seconds, if soldering iron over temperature 270 ± 10 °C or 3 seconds, it will make component surface peeling or damage.

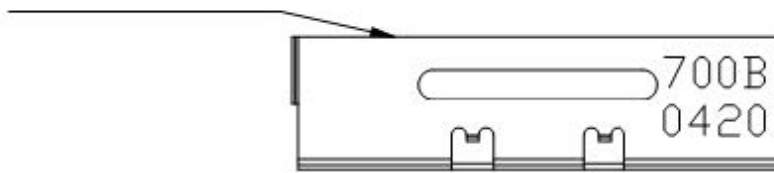
Soldering iron can not leakage of electricity.

3.DIMENSION AND PCB LAYOUT

3.1 CASE AND DIMENSION



Case Material: Copper Nickel Alloy



I/O: Input / Output
Gnd:Ground

C: Company Code
700B: product name(J4700B)
0420: month/year(04/2020)
Color: Black

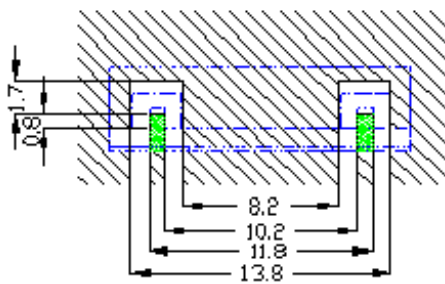
Unit:mm
Tolerance:±0.3

3-2 PCB RECOMMENDED PATTERN FOR FILTER

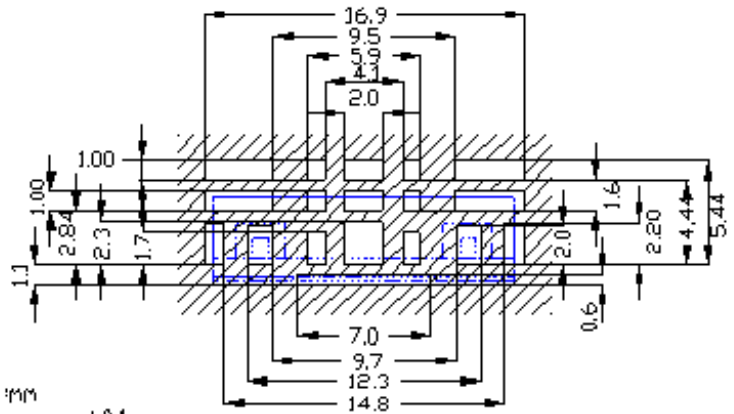
Note: Test PCB material: FR4 4.6, 1.0mm.

The filter use limit: the layout goes away PCB edge.

3-2-1
Conductive Material Pattern



3-2-2
Solder resist Pattern



Unit:mm
Tolerance:±0.1



Conductive Material:
Ground,connected to
lower ground diameter of
0.3mm and max.distance
of 3.0mm.



covered with solder
resist.



I/O Pads must be
connected to lines with
50Ω impedance.
in the application a
termination of 50Ω
must be realized.