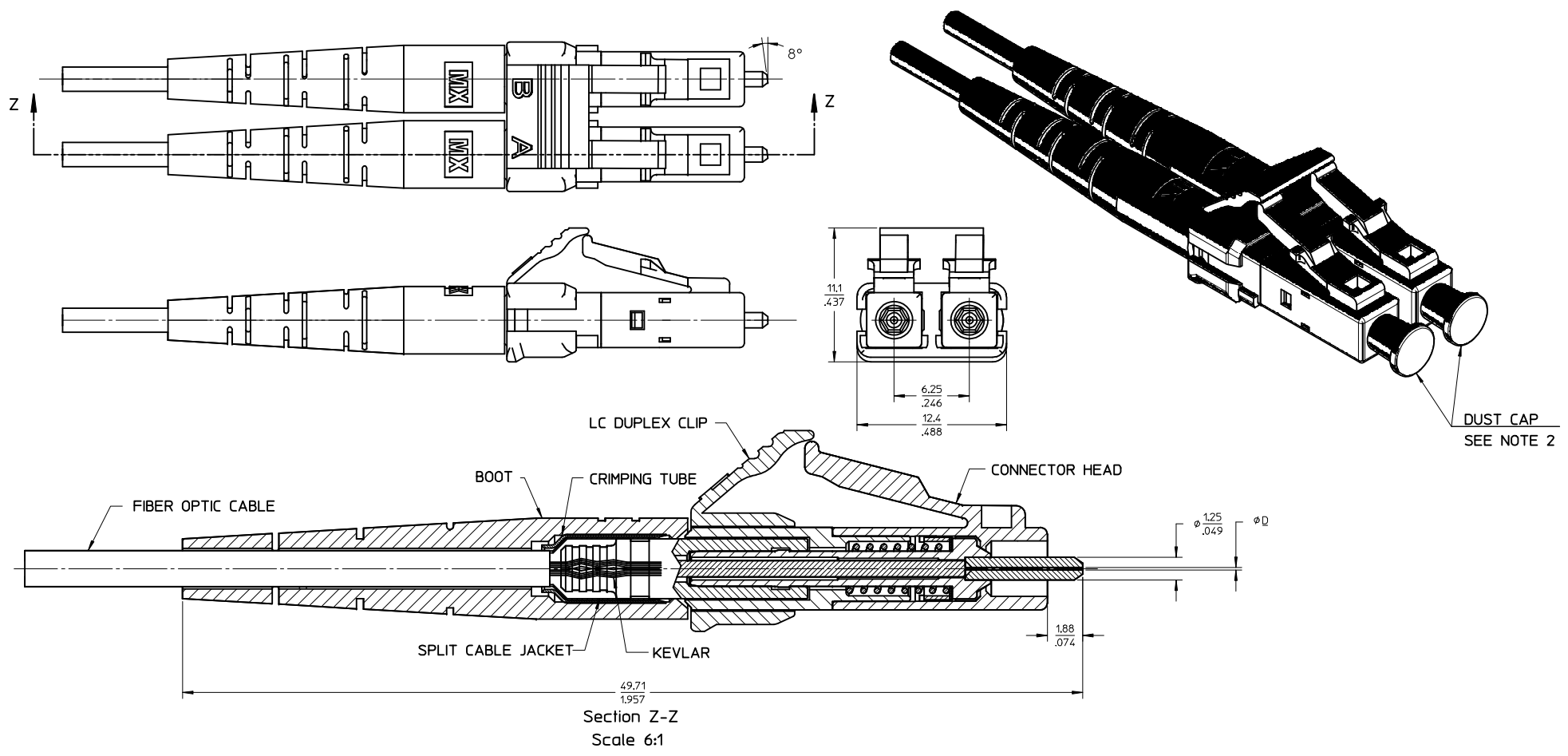


CONNECTOR TYPE	ØD (µm)	COLOR
SINGLE MODE APC	125.5	GREEN



NOTES:
 1. ALL DIMENSIONS ARE FOR REFERENCE ONLY.
 2. DUST CAP SHOWN IN ISO VIEW ONLY.

ENTER DESCRIPTION EC NO: MF2015-0073 DRWN:SBOJANIC 2014/08/05 CHKD: APPR:YBEDNYAK 2014/08/12 REV:	QUALITY SYMBOLS	GENERAL TOLERANCES (UNLESS SPECIFIED) <table border="1"> <tr> <th></th> <th>mm</th> <th>INCH</th> </tr> <tr> <td>4 PLACES</td> <td>± .005</td> <td>± .0002</td> </tr> <tr> <td>3 PLACES</td> <td>± .003</td> <td>± .0001</td> </tr> <tr> <td>2 PLACES</td> <td>± .002</td> <td>± .0001</td> </tr> <tr> <td>1 PLACE</td> <td>± .001</td> <td>± .0001</td> </tr> <tr> <td>0 PLACE</td> <td>± .000</td> <td>± .0000</td> </tr> </table>		mm	INCH	4 PLACES	± .005	± .0002	3 PLACES	± .003	± .0001	2 PLACES	± .002	± .0001	1 PLACE	± .001	± .0001	0 PLACE	± .000	± .0000	DIMENSION STYLE	SCALE	DESIGN UNITS	THIRD ANGLE PROJECTION LC/APC DUPLEX CONNECTOR, TIGHT CABLE, GREEN
			mm	INCH																				
	4 PLACES	± .005	± .0002																					
	3 PLACES	± .003	± .0001																					
2 PLACES	± .002	± .0001																						
1 PLACE	± .001	± .0001																						
0 PLACE	± .000	± .0000																						
▼=0 ▽=0	MM/IN	4:1	INCH																					
		ANGULAR ±1/2°	DRAWN BY: SBOJANIC DATE: 2014/08/05 CHECKED BY: _____ DATE: _____ APPROVED BY: YBEDNYAK DATE: 2014/08/12	molex DOCUMENT NO. SD-106021-2100		SHEET NO. 1 OF 1																		
		DRAFT WHERE APPLICABLE MUST REMAIN WITHIN DIMENSIONS	MATERIAL NO. 1060212100 SIZE C	THIS DRAWING CONTAINS INFORMATION THAT IS PROPRIETARY TO MOLEX INCORPORATED AND SHOULD NOT BE USED WITHOUT WRITTEN PERMISSION																				