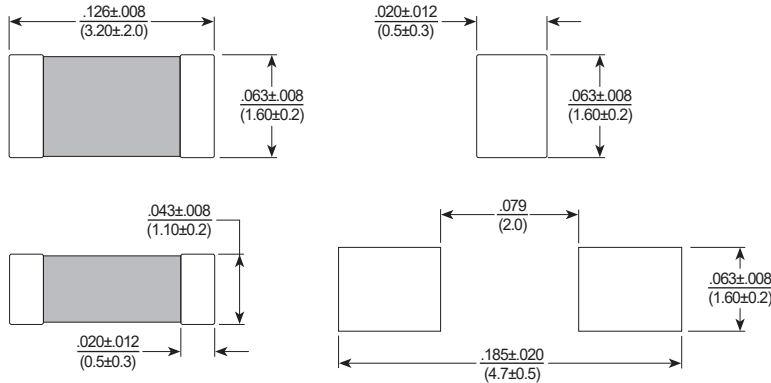




High Current Beads

HCB20

Dimensions: $\frac{\text{inch}}{\text{mm}}$



Recommended PCB Layout

Allied Part Number	Impedance (Ω) @ 100 MHz $\pm 25\%$	DC Resistance (m Ω) Max	*Rated Current (mA)
HCB20-070-RC	7	15	6000
HCB20-080-RC	8	15	6000
HCB20-110-RC	11	15	6000
HCB20-190-RC	19	15	6000
HCB20-260-RC	26	15	6000
HCB20-300-RC	30	15	4000
HCB20-310-RC	31	15	4000
HCB20-320-RC	32	15	4000
HCB20-350-RC	35	15	4000
HCB20-400-RC	40	15	4000
HCB20-420-RC	42	15	4000
HCB20-480-RC	48	20	4000
HCB20-500-RC	50	20	4000
HCB20-520-RC	52	20	4000
HCB20-600-RC	60	20	4000
HCB20-680-RC	68	20	4000
HCB20-700-RC	70	20	4000
HCB20-750-RC	75	25	3000
HCB20-800-RC	80	25	3000
HCB20-900-RC	90	30	3000
HCB20-101-RC	100	30	2500
HCB20-121-RC	120	30	2500
HCB20-151-RC	150	40	2000
HCB20-201-RC	200	50	2000
HCB20-221-RC	220	50	2000
HCB20-301-RC	300	60	2000
HCB20-331-RC	330	60	2000
HCB20-391-RC	390	60	2000
HCB20-401-RC	400	100	2000
HCB20-501-RC	500	100	2000
HCB20-601-RC	600	100	2000
HCB20-102-RC	1000	150	1200
HCB20-122-RC	1200	180	1000
HCB20-152-RC	1500	200	800

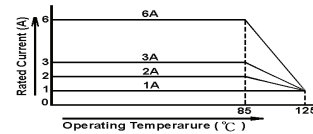
All specifications subject to change without notice.

Features

- Surface mount EMI suppression components
- Nickel barrier termination for excellent resistance to solder heat
- High current capacity
- Wide range of impedance values
- Multi layer technology
- Low DCR
- Flow and reflow soldering

Electrical

Impedance Range: 7 to 1500 Ω
Tolerance: 25% over entire range
Operating Temp: -55°C to +125°C
Storage Temp: Under 25°C at 40~60% Humidity
Rated Current: Based on temp rise not to exceed 30°C
 Rated current is derated as indicated below based on operating temp.



Resistance to Solder Heat

Pre-Heat 150°C, 1 minute
 Solder Composition: Sn/Ag3.0/Cu0.5
 Solder Temp: 260 \pm 5°C for 10sec \pm 1 sec
 Minimum of 75% of Electrode covered with new solder
 Impedance within 30% of initial value.

Test Equipment

(Z): HP4291A RF Impedance/Material Analyzer
 DCR: Chen Hwa 502BC

Physical

Packaging: 3000 per 7 inch reel