

Resonant Lamp Ballast Controller

FEATURES

- Controls Different Types of Lamps: Cold Cathode Fluorescent, Neon, and Gas Discharge
- Zero Voltage Switching (ZVS) of Push-Pull Drivers
- Accurate Control of Lamp Current
- Variable Lamp Intensity Control
- 1 μ A Disable Current
- 4.5V to 24V Operation
- Open Lamp Detection Circuitry

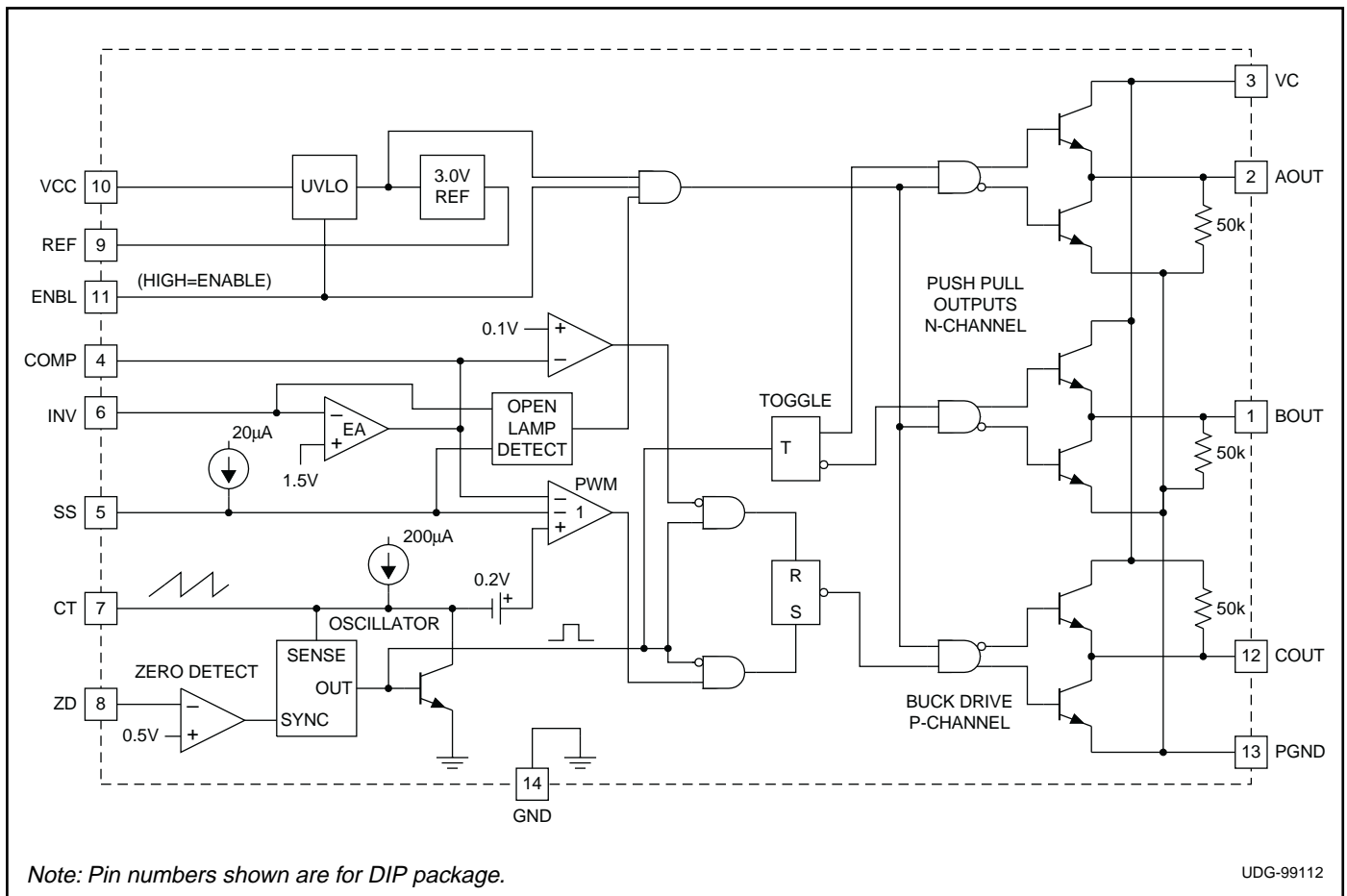
DESCRIPTION

The UC3872 is a resonant lamp ballast controller optimized for driving cold cathode fluorescent, neon, and other gas discharge lamps. The resonant power stage develops a sinusoidal lamp drive voltage, and minimizes switching loss and EMI generation. Lamp intensity adjustment is accomplished with a buck regulator, which is synchronized to the external power stage's resonant frequency. Suitable for automotive and battery powered applications, the UC3872 draws only 1 μ A when disabled.

Soft start and open lamp detect circuitry have been incorporated to minimize component stresses. Open lamp detection is enabled at the completion of a soft start cycle. The chip is optimized for smooth duty cycle control to 100%.

Other features include a precision 1.2% reference, undervoltage lockout, and accurate minimum and maximum frequency control.

BLOCK DIAGRAM



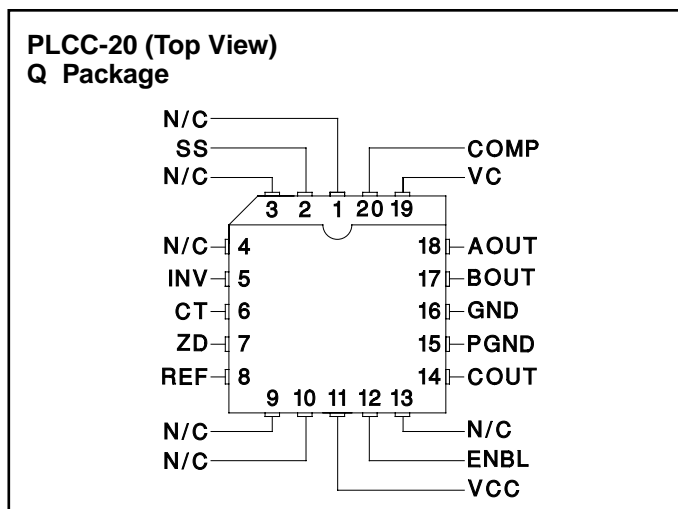
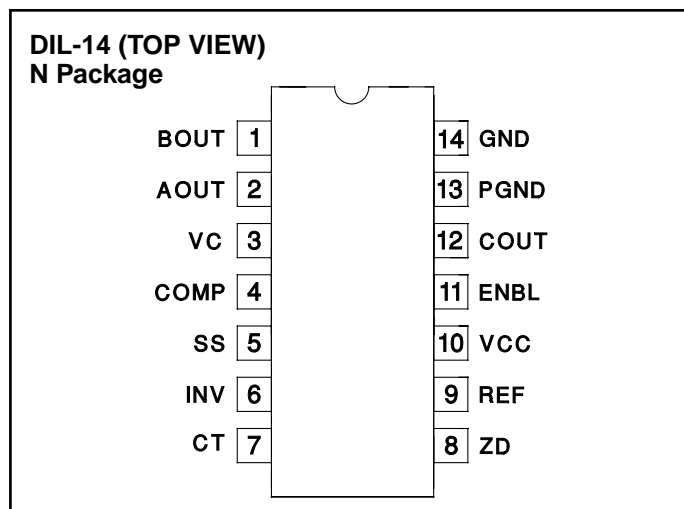
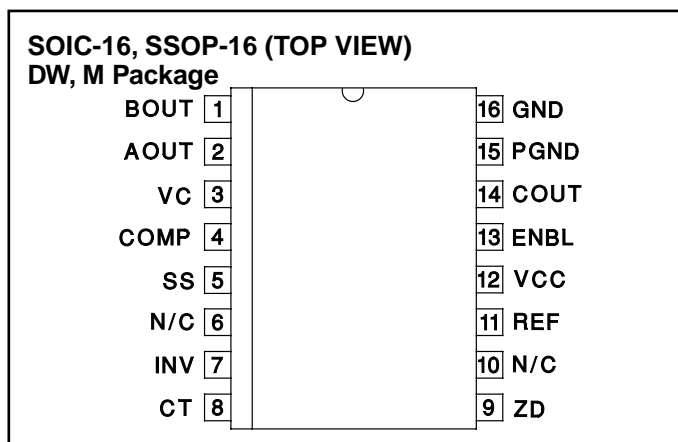
ABSOLUTE MAXIMUM RATINGS

Analog Inputs	-0.3 to +10V
VCC, VC Voltage	+24V
ZD Input Current	
High Impedance Source	+10mA
ZD Input Voltage	
Low Impedance Source	+24V
Power Dissipation at TA = 25°C	1W
Storage Temperature	-65°C to +150°C
Lead Temperature	300°C

Note 1: Currents are positive into, negative out of the specified terminal.

Note 2: Consult Packaging Section of Databook for thermal limitations and considerations of package.

CONNECTION DIAGRAMS



ELECTRICAL CHARACTERISTICS: Unless otherwise stated, these parameters apply for $T_J = -55^\circ\text{C}$ to $+125^\circ\text{C}$ for the UC1872, -40°C to $+85^\circ\text{C}$ for the UC2872, -0°C to $+70^\circ\text{C}$ for the UC3872; $V_{CC} = 5\text{V}$, $V_C = 15\text{V}$, $V_{ENBL} = 5\text{V}$, $C_T = 1\text{nF}$, $Z_D = 1\text{V}$.

PARAMETER	TEST CONDITIONS	MIN	TYP	MAX	UNITS
Reference Section					
Output Voltage	$T_J = 25^\circ\text{C}$	2.963	3.000	3.037	V
	Over Temperature	2.940	3.000	3.060	V
Line Regulation	$V_{CC} = 4.75\text{V}$ to 18V			10	mV
Load Regulation	$I_O = 0$ to -5mA			10	mV
Oscillator Section					
Free Running Frequency	$T_J = 25^\circ\text{C}$	57	68	78	kHz
Maximum Synchronization Frequency	$T_J = 25^\circ\text{C}$	160	200	240	kHz
Charge Current	$V_{CT} = 1.5\text{V}$	180	200	220	μA
Voltage Stability				2	%
Temperature Stability			4	8	%
Zero Detect Threshold		0.46	0.5	0.56	V
Error Amp Section					
Input Voltage	$V_O = 2\text{V}$	1.445	1.475	1.505	V
Input Bias Current			-0.4	-2	μA
Open Loop Gain	$V_O = 0.5$ to 3V	65	90		dB
Output High	$V_{INV} = 1.3\text{V}$	3.1	3.5	3.9	V

ELECTRICAL CHARACTERISTICS: Unless otherwise stated, these parameters apply for $T_J = -55^\circ\text{C}$ to $+125^\circ\text{C}$ for the UC1872, -40°C to $+85^\circ\text{C}$ for the UC2872, -0°C to $+70^\circ\text{C}$ for the UC3872; $V_{CC} = 5\text{V}$, $V_C = 15\text{V}$, $V_{ENBL} = 5\text{V}$, $C_T = 1\text{nF}$, $Z_D = 1\text{V}$.

PARAMETER	TEST CONDITIONS	MIN	TYP	MAX	UNITS
Error Amp Section (cont.)					
Output Low	$V_{INV} = 1.7\text{V}$		0.1	0.2	V
Output Source Current	$V_{INV} = 1.3\text{V}$, $V_O = 2\text{V}$	-350	-500		μA
Output Sink Current	$V_{INV} = 1.7\text{V}$, $V_O = 2\text{V}$	10	20		mA
Common Mode Range		0		$V_{IN}-1\text{V}$	V
Unity Gain Bandwidth	$T_J = 25^\circ\text{C}$ (Note 4)		1		MHz
Open Lamp Detect Section					
Soft Start Threshold	$V_{INV} = 0\text{V}$	2.9	3.4	3.8	V
Open Lamp Detect Threshold	$V_{SS} = 4.2\text{V}$	0.6	1.0	1.4	V
Soft Start Current	$V_{SS} = 2\text{V}$	10	20	40	μA
Output Section					
Output Low Level	$I_{OUT} = 0$, Outputs A and B		0.05	0.2	V
	$I_{OUT} = 10\text{mA}$		0.1	0.4	V
	$I_{OUT} = 100\text{mA}$		1.5	2.2	V
Output High Level	$I_{OUT} = 0$, Output C	13.9	14.9		V
	$I_{OUT} = -10\text{mA}$	13.5	14.3		V
	$I_{OUT} = -100\text{mA}$	12.5	13.5		V
Rise Time	$T_J = 25^\circ\text{C}$, $C_I = 1\text{nF}$ (Note 4)		30	80	ns
Fall Time	$T_J = 25^\circ\text{C}$, $C_I = 1\text{nF}$ (Note 4)		30	80	ns
Output Dynamics					
Out A and B Duty Cycle		48	49.9	50	%
Out C Max Duty Cycle	$V_{INV} = 1\text{V}$	100			%
Out C Min Duty Cycle	$V_{INV} = 2\text{V}$			0	%
Under Voltage Lockout Section					
Startup Threshold Voltage		3.7	4.2	4.5	V
Hysteresis		120	200	280	mV
Enable Section					
Input High Threshold		2			V
Input Low Threshold				0.8	V
Input Current	$V_{ENBL} = 5\text{V}$		150	400	μA
Supply Current Section					
VCC Supply Current	$V_{CC} = 24\text{V}$		6	14	mA
VC Supply Current	$V_C = 24\text{V}$		5	12	mA
ICC Disabled	$V_{CC} = 24\text{V}$, $V_{ENBL} = 0\text{V}$		1	10	μA

Note 3: Unless otherwise specified, all voltages are with respect to ground. Currents are positive into, and negative out of the specified terminal.

Note 4: Guaranteed by design. Not 100% tested in production.

PIN DESCRIPTIONS

AOUT, BOUT: These outputs provide complementary drive signals for the push-pull N-channel MOSFETs. Each one is high for 50% of the time, switching states each time a zero-detect is sensed.

COMP: COMP is the output terminal of the error amplifier. Compensation components are normally connected between COMP and INV. Connecting a capacitor from this pin to ground limits turn on current and blanks the open lamp detect signal allowing the lamp to start.

COUT: This output directly drives the bulk regulator P-channel MOSFET. COUT turn-on is synchronized to each zero-detect, and therefore switches at twice the frequency of AOUT and BOUT. The modulator controlling COUT is designed to provide smooth control up to 100% duty cycle.

CT: A capacitor connected between this pin and GND ground sets the synchronization frequency range. The capacitor is charged with approximately 200 μ A, creating a linear ramp which is used by COUT's (buck regulator driver) PWM comparator.

ENBL: When ENBL is driven high the device is enabled. When ENBL is pulled low, the IC is shut down and typically draws 1 μ A.

GND: This pin is the ground reference point for the internal reference and all thresholds.

INV: This pin is the inverting input to the error amplifier and the input for the open lamp detect circuitry. If the voltage at INV is below the 1V open lamp detect threshold, the outputs are disabled.

PGND: This pin is the high current ground connection for the three output drivers.

REF: This pin is connected to the 3V reference voltage which is used for the internal logic. Bypass REF to ground with a 0.01 μ F ceramic capacitor for proper operation.

VC: VC is the power supply voltage connection for the output drivers. Bypass it to ground with a 0.1 μ F ceramic capacitor for proper operation.

VCC: VCC is the positive supply voltage for the chip. Its operating range is from 4.2V to 24V. Bypass VCC to ground with a 0.1 μ F ceramic capacitor for proper operation.

ZD: The zero-detect input senses when the transformer's primary center tap voltage falls to zero to synchronize the sawtooth voltage waveform on CT. The threshold is approximately 0.5V, providing a small amount of offset such that with propagation delay, zero-volt switching occurs. A resistor (typically 10k) should be connected between ZD and the primary center tap to limit input current at turn off.

APPLICATION INFORMATION

Figure 1 shows a complete application circuit using the UC3872 Resonant Lamp Ballast Controller. The IC provides all drive, control and housekeeping functions. The buck output voltage (transformer center-tap) provides the zero crossing and synchronization signals.

The buck modulator drives a P-channel MOSFET directly, and operates over a 0-100% duty-cycle range. The modulation range includes 100%, allowing operation with minimal headroom.

The oscillator and synchronization circuitry are shown in Figure 2. The oscillator is designed to synchronize over a 3:1 frequency range. In an actual application however, the frequency range is only about 1.5:1. A zero detect comparator senses the primary center-tap voltage, generating a synchronization pulse when the resonant wave-

form falls to zero. The actual threshold is 0.5 volts, providing a small amount of anticipation to offset propagation delay.

The synchronization pulse width is the time required for the 4mA current sink to discharge the timing capacitor to 0.1 volts. This pulse width limits the minimum linear control range of the buck regulator. The 200 μ A current source charges the capacitor to a maximum of 3 volts. A comparator blanks the zero detect signal until the capacitor voltage exceeds 1 volt, preventing multiple synchronization pulse generation and setting the maximum frequency. If the capacitor voltage reaches 3 volts (a zero detection has not occurred) an internal clock pulse is generated to limit the minimum frequency.

APPLICATION INFORMATION (cont.)

A unique protection feature incorporated in the UC3872 is the Open Lamp Detect circuit. An open lamp interrupts the current feedback loop and causes very high secondary voltage. Operation in this mode will usually breakdown the transformer's insulation, causing permanent damage to the converter. The open lamp detect circuit, shown in Figure 3 senses the lamp current feedback signal at the error amplifier's input, and shuts down the outputs if insufficient signal is present. Soft start circuitry limits initial turn-on currents and blanks the open lamp detect signal.

Other features are included to minimize external circuitry requirements. A logic level enable pin shuts down the IC, allowing direct connection to a battery. During shutdown, the IC typically draws less than 1µA. The UC3872, operating from 4.5V to 24V, is compatible with almost all battery voltages used in portable computers and automotive applications. Undervoltage lockout circuitry disables operation until sufficient supply voltage is available, and a 1% voltage reference insures accurate operation.

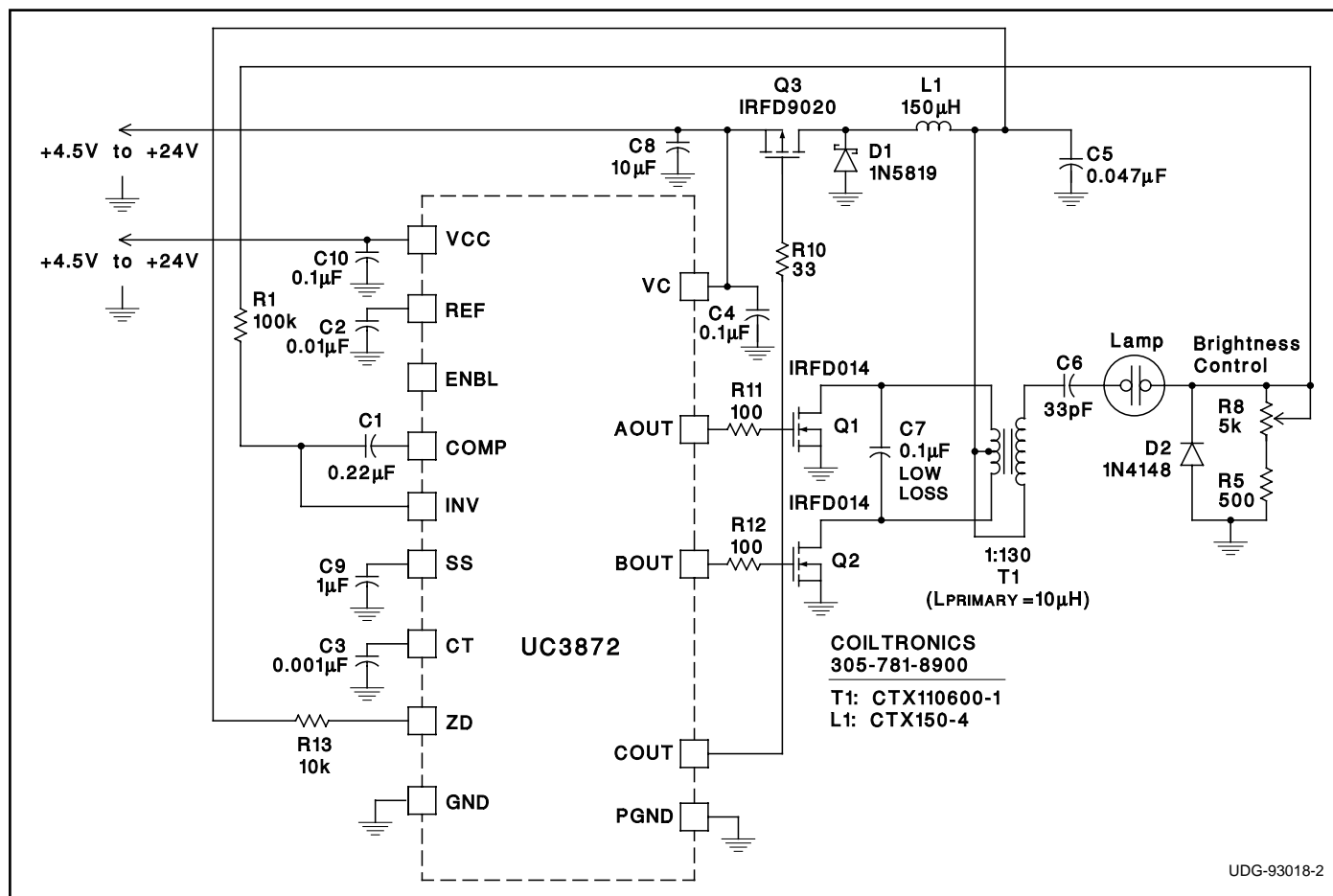
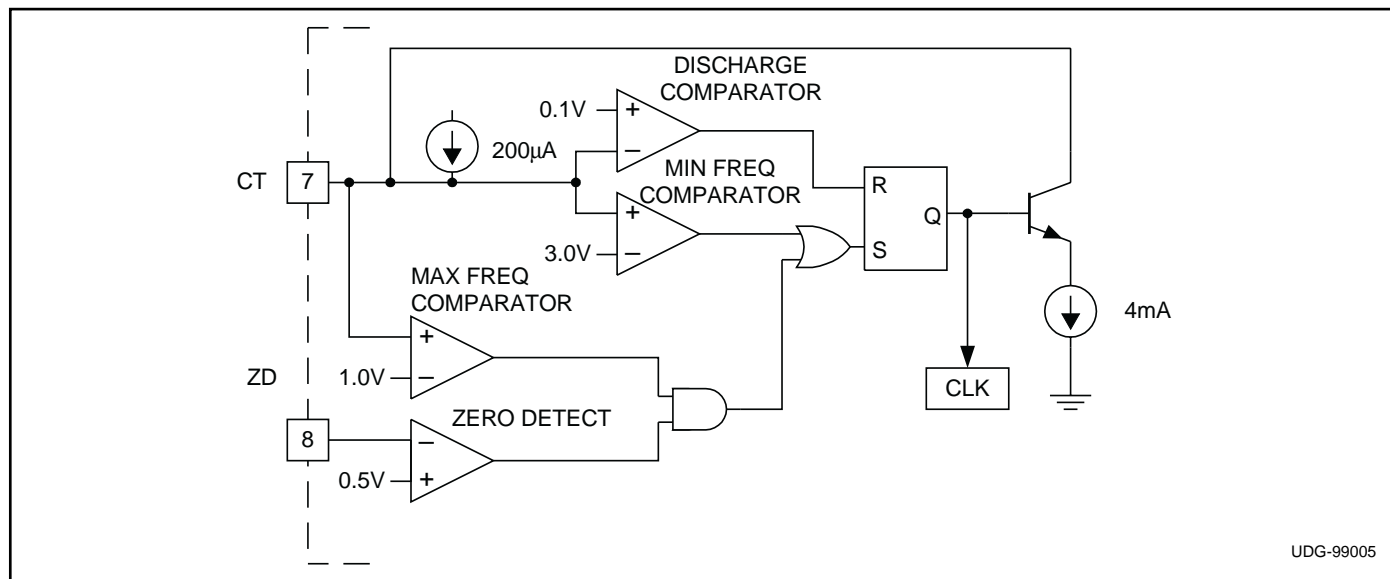


Figure 1. Typical application.

APPLICATIONS INFORMATION



UDG-99005

Figure 2. UC3872 oscillator section.

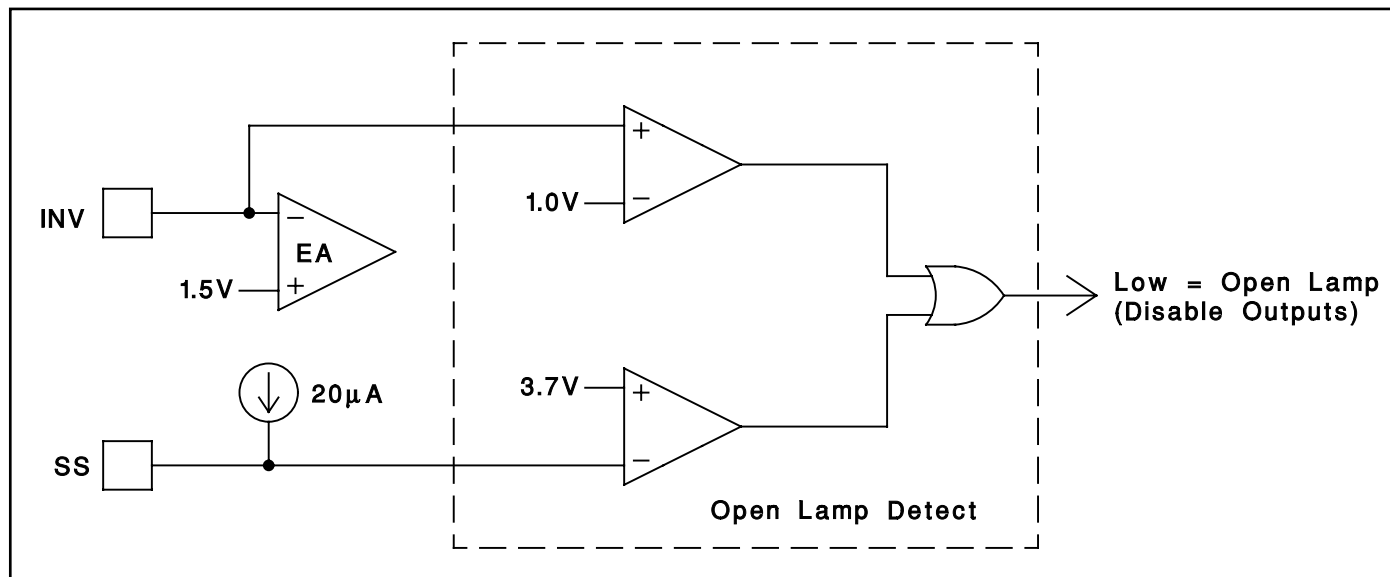


Figure 3. UC3872 open lamp detect circuitry.

PACKAGING INFORMATION

Orderable Device	Status (1)	Package Type	Package Drawing	Pins	Package Qty	Eco Plan (2)	Lead finish/ Ball material (6)	MSL Peak Temp (3)	Op Temp (°C)	Device Marking (4/5)	Samples
UC2872DW	ACTIVE	SOIC	DW	16	40	RoHS & Green	NIPDAU	Level-2-260C-1 YEAR	-40 to 85	UC2872DW	Samples
UC2872DWTR	ACTIVE	SOIC	DW	16	2000	RoHS & Green	NIPDAU	Level-2-260C-1 YEAR	-40 to 85	UC2872DW	Samples
UC3872DW	ACTIVE	SOIC	DW	16	40	RoHS & Green	NIPDAU	Level-2-260C-1 YEAR	0 to 70	UC3872DW	Samples
UC3872DWTR	ACTIVE	SOIC	DW	16	2000	RoHS & Green	NIPDAU	Level-2-260C-1 YEAR	0 to 70	UC3872DW	Samples
UC3872M	ACTIVE	SSOP	DBQ	16	75	RoHS & Green	NIPDAU	Level-2-260C-1 YEAR	0 to 70	UC3872M	Samples
UC3872MG4	ACTIVE	SSOP	DBQ	16	75	RoHS & Green	NIPDAU	Level-2-260C-1 YEAR	0 to 70	UC3872M	Samples
UC3872MTR	ACTIVE	SSOP	DBQ	16	2500	RoHS & Green	NIPDAU	Level-2-260C-1 YEAR	0 to 70	UC3872M	Samples

(1) The marketing status values are defined as follows:

ACTIVE: Product device recommended for new designs.

LIFEBUY: TI has announced that the device will be discontinued, and a lifetime-buy period is in effect.

NRND: Not recommended for new designs. Device is in production to support existing customers, but TI does not recommend using this part in a new design.

PREVIEW: Device has been announced but is not in production. Samples may or may not be available.

OBSOLETE: TI has discontinued the production of the device.

(2) **RoHS:** TI defines "RoHS" to mean semiconductor products that are compliant with the current EU RoHS requirements for all 10 RoHS substances, including the requirement that RoHS substance do not exceed 0.1% by weight in homogeneous materials. Where designed to be soldered at high temperatures, "RoHS" products are suitable for use in specified lead-free processes. TI may reference these types of products as "Pb-Free".

RoHS Exempt: TI defines "RoHS Exempt" to mean products that contain lead but are compliant with EU RoHS pursuant to a specific EU RoHS exemption.

Green: TI defines "Green" to mean the content of Chlorine (Cl) and Bromine (Br) based flame retardants meet JS709B low halogen requirements of <=1000ppm threshold. Antimony trioxide based flame retardants must also meet the <=1000ppm threshold requirement.

(3) MSL, Peak Temp. - The Moisture Sensitivity Level rating according to the JEDEC industry standard classifications, and peak solder temperature.

(4) There may be additional marking, which relates to the logo, the lot trace code information, or the environmental category on the device.

(5) Multiple Device Markings will be inside parentheses. Only one Device Marking contained in parentheses and separated by a "~" will appear on a device. If a line is indented then it is a continuation of the previous line and the two combined represent the entire Device Marking for that device.

⁽⁶⁾ Lead finish/Ball material - Orderable Devices may have multiple material finish options. Finish options are separated by a vertical ruled line. Lead finish/Ball material values may wrap to two lines if the finish value exceeds the maximum column width.

Important Information and Disclaimer:The information provided on this page represents TI's knowledge and belief as of the date that it is provided. TI bases its knowledge and belief on information provided by third parties, and makes no representation or warranty as to the accuracy of such information. Efforts are underway to better integrate information from third parties. TI has taken and continues to take reasonable steps to provide representative and accurate information but may not have conducted destructive testing or chemical analysis on incoming materials and chemicals. TI and TI suppliers consider certain information to be proprietary, and thus CAS numbers and other limited information may not be available for release.

In no event shall TI's liability arising out of such information exceed the total purchase price of the TI part(s) at issue in this document sold by TI to Customer on an annual basis.

TAPE AND REEL INFORMATION

QUADRANT ASSIGNMENTS FOR PIN 1 ORIENTATION IN TAPE


*All dimensions are nominal

Device	Package Type	Package Drawing	Pins	SPQ	Reel Diameter (mm)	Reel Width W1 (mm)	A0 (mm)	B0 (mm)	K0 (mm)	P1 (mm)	W (mm)	Pin1 Quadrant
UC2872DWTR	SOIC	DW	16	2000	330.0	16.4	10.75	10.7	2.7	12.0	16.0	Q1
UC3872DWTR	SOIC	DW	16	2000	330.0	16.4	10.75	10.7	2.7	12.0	16.0	Q1
UC3872MTR	SSOP	DBQ	16	2500	330.0	12.4	6.4	5.2	2.1	8.0	12.0	Q1

TAPE AND REEL BOX DIMENSIONS


*All dimensions are nominal

Device	Package Type	Package Drawing	Pins	SPQ	Length (mm)	Width (mm)	Height (mm)
UC2872DWTR	SOIC	DW	16	2000	367.0	367.0	38.0
UC3872DWTR	SOIC	DW	16	2000	356.0	356.0	35.0
UC3872MTR	SSOP	DBQ	16	2500	356.0	356.0	35.0

TUBE


*All dimensions are nominal

Device	Package Name	Package Type	Pins	SPQ	L (mm)	W (mm)	T (μm)	B (mm)
UC2872DW	DW	SOIC	16	40	507	12.83	5080	6.6
UC3872DW	DW	SOIC	16	40	507	12.83	5080	6.6
UC3872M	DBQ	SSOP	16	75	506.6	8	3940	4.32
UC3872MG4	DBQ	SSOP	16	75	506.6	8	3940	4.32

IMPORTANT NOTICE AND DISCLAIMER

TI PROVIDES TECHNICAL AND RELIABILITY DATA (INCLUDING DATA SHEETS), DESIGN RESOURCES (INCLUDING REFERENCE DESIGNS), APPLICATION OR OTHER DESIGN ADVICE, WEB TOOLS, SAFETY INFORMATION, AND OTHER RESOURCES "AS IS" AND WITH ALL FAULTS, AND DISCLAIMS ALL WARRANTIES, EXPRESS AND IMPLIED, INCLUDING WITHOUT LIMITATION ANY IMPLIED WARRANTIES OF MERCHANTABILITY, FITNESS FOR A PARTICULAR PURPOSE OR NON-INFRINGEMENT OF THIRD PARTY INTELLECTUAL PROPERTY RIGHTS.

These resources are intended for skilled developers designing with TI products. You are solely responsible for (1) selecting the appropriate TI products for your application, (2) designing, validating and testing your application, and (3) ensuring your application meets applicable standards, and any other safety, security, regulatory or other requirements.

These resources are subject to change without notice. TI grants you permission to use these resources only for development of an application that uses the TI products described in the resource. Other reproduction and display of these resources is prohibited. No license is granted to any other TI intellectual property right or to any third party intellectual property right. TI disclaims responsibility for, and you will fully indemnify TI and its representatives against, any claims, damages, costs, losses, and liabilities arising out of your use of these resources.

TI's products are provided subject to [TI's Terms of Sale](#) or other applicable terms available either on ti.com or provided in conjunction with such TI products. TI's provision of these resources does not expand or otherwise alter TI's applicable warranties or warranty disclaimers for TI products.

TI objects to and rejects any additional or different terms you may have proposed.

Mailing Address: Texas Instruments, Post Office Box 655303, Dallas, Texas 75265
Copyright © 2022, Texas Instruments Incorporated