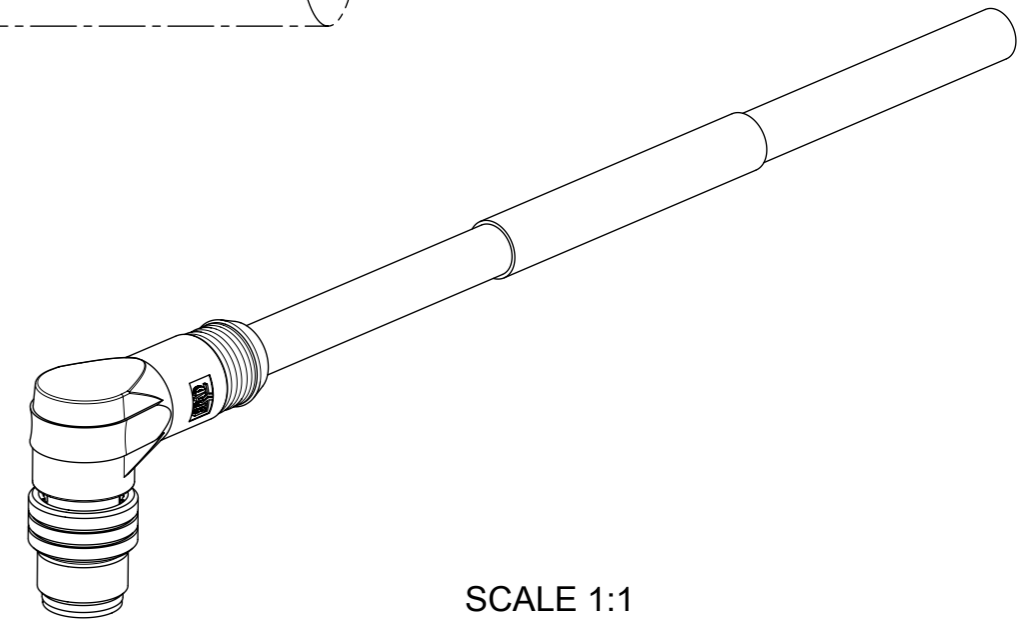
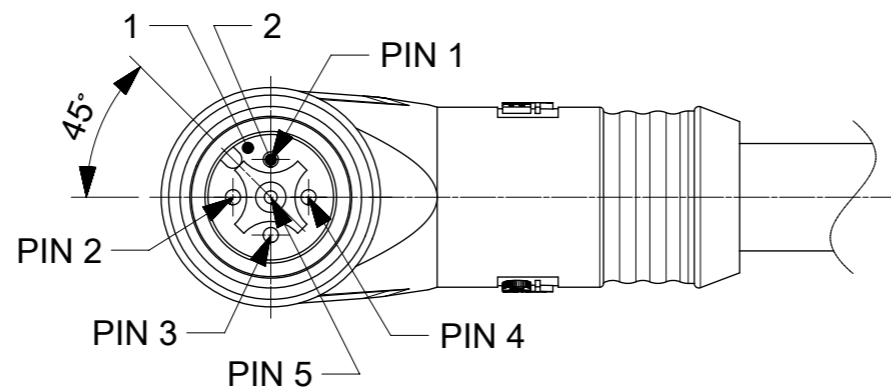
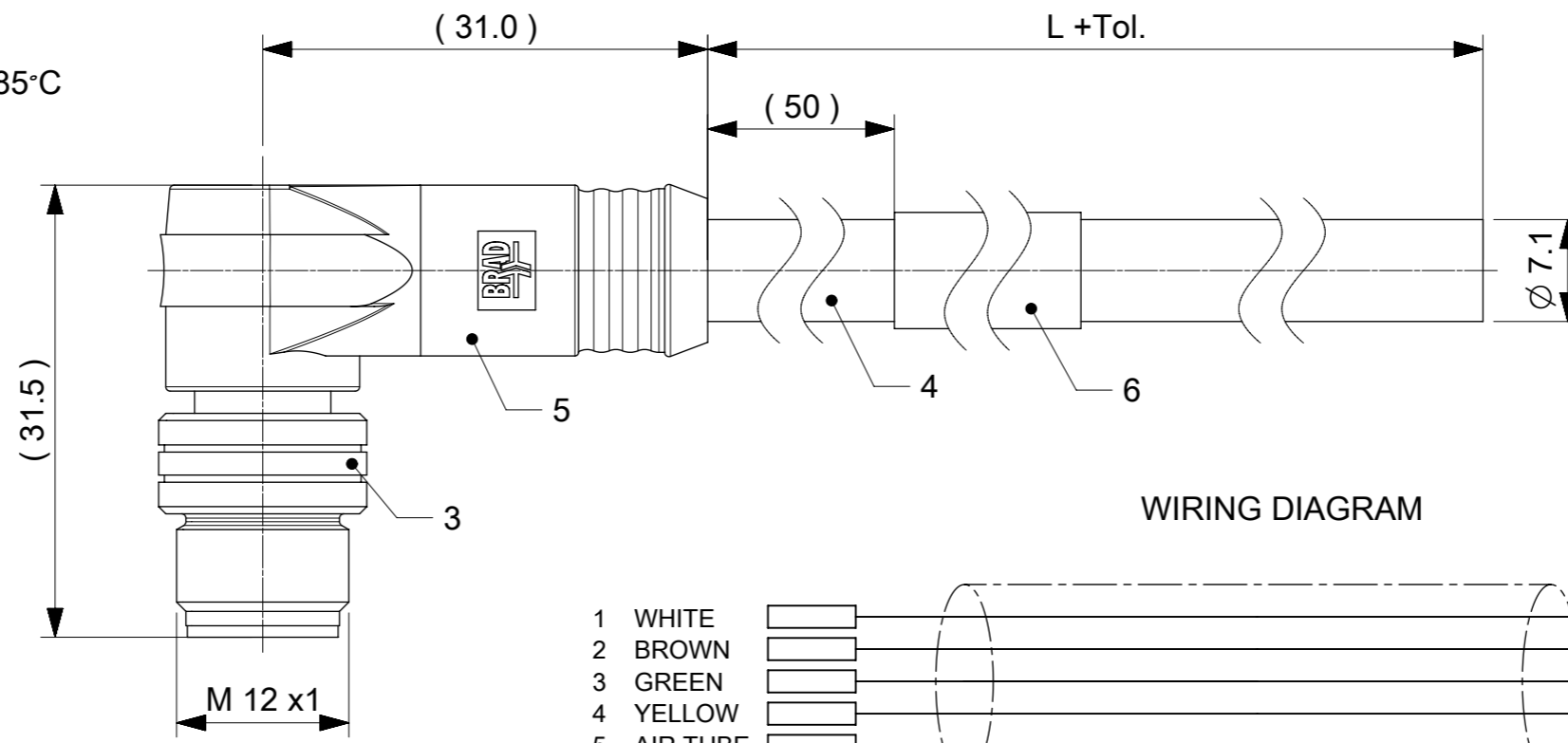


CONNECTOR SPECIFICATION

RATED VOLTAGE: 250 V AC/DC
 RATED CURRENT: 4 A
 PROTECTION: IP67
 OPERATING TEMPERATURE: -25°C TO +85°C



SCALE 1:1

TABLE 1

POS	QTY	DESCRIPTION	MATERIAL	FINISH
1	1	INSERT M12 MA 5P BK	ELASTOLLAN	-
2	4	CONTACT 10 MA	COPPER ALLOY	SELECTIVE GOLD OVER NICKEL
3	1	SHELL M12 MA	BRASS	NICKEL PLATED
4	-	CABLE	SEE SHEET 2	-
5	-	OVERMOULDING MATERIAL BK	TPU	-
6	1	LABEL	VINYL	-

THIS DRAWING CONTAINS INFORMATION THAT IS PROPRIETARY TO MOLEX ELECTRONIC TECHNOLOGIES, LLC AND SHOULD NOT BE USED WITHOUT WRITTEN PERMISSION											
QUALITY SYMBOLS		2016/07/11		2016/07/29		GENERAL TOLERANCES (UNLESS SPECIFIED)		DIMENSION UNITS		SCALE	
FA	= 0	2016/07/11		2016/07/29		ANGULAR TOL ± 1.0 °		MM		2:1	
FE	= 0	2016/07/11		2016/07/29		4 PLACES ±		DRWN BY		DATE	
FF	= 0	2016/07/11		2016/07/29		3 PLACES ±		FGAIK		2016/07/11	
FD	= 0	2016/07/11		2016/07/29		2 PLACES ± 0.05		CHK'D BY		DATE	
FC	= 0	2016/07/11		2016/07/29		1 PLACE ± 0.3		APPR BY		DATE	
FX	= 0	2016/07/11		2016/07/29		0 PLACES ± 0.5		RSILLER		2016/07/29	
FS	= 0	2016/07/11		2016/07/29		DRAFT WHERE APPLICABLE MUST REMAIN WITHIN DIMENSIONS		DRAWING SIZE		THIRD ANGLE PROJECTION	
FA	= 0	2016/07/11		2016/07/29				A3			
FB	= 0	2016/07/11		2016/07/29							
FC	= 0	2016/07/11		2016/07/29							
FD	= 0	2016/07/11		2016/07/29							
FE	= 0	2016/07/11		2016/07/29							
FF	= 0	2016/07/11		2016/07/29							
FG	= 0	2016/07/11		2016/07/29							
FH	= 0	2016/07/11		2016/07/29							
FI	= 0	2016/07/11		2016/07/29							
FJ	= 0	2016/07/11		2016/07/29							
FK	= 0	2016/07/11		2016/07/29							
FL	= 0	2016/07/11		2016/07/29							
FM	= 0	2016/07/11		2016/07/29							
FN	= 0	2016/07/11		2016/07/29							
FO	= 0	2016/07/11		2016/07/29							
FP	= 0	2016/07/11		2016/07/29							
FQ	= 0	2016/07/11		2016/07/29							
FR	= 0	2016/07/11		2016/07/29							
FS	= 0	2016/07/11		2016/07/29							
FT	= 0	2016/07/11		2016/07/29							
FU	= 0	2016/07/11		2016/07/29							
FV	= 0	2016/07/11		2016/07/29							
FW	= 0	2016/07/11		2016/07/29							
FX	= 0	2016/07/11		2016/07/29							
FY	= 0	2016/07/11		2016/07/29							
FZ	= 0	2016/07/11		2016/07/29							
GA	= 0	2016/07/11		2016/07/29							
GB	= 0	2016/07/11		2016/07/29							
GC	= 0	2016/07/11		2016/07/29							
GD	= 0	2016/07/11		2016/07/29							
GE	= 0	2016/07/11		2016/07/29							
GF	= 0	2016/07/11		2016/07/29							
GG	= 0	2016/07/11		2016/07/29							
GH	= 0	2016/07/11		2016/07/29							
GI	= 0	2016/07/11		2016/07/29							
GJ	= 0	2016/07/11		2016/07/29							
GK	= 0	2016/07/11		2016/07/29							
GL	= 0	2016/07/11		2016/07/29							
GM	= 0	2016/07/11		2016/07/29							
GN	= 0	2016/07/11		2016/07/29							
GO	= 0	2016/07/11		2016/07/29							
GP	= 0	2016/07/11		2016/07/29							
GQ	= 0	2016/07/11		2016/07/29							
GR	= 0	2016/07/11		2016/07/29							
GS	= 0	2016/07/11		2016/07/29							
GT	= 0	2016/07/11		2016/07/29							
GU	= 0	2016/07/11		2016/07/29							
GV	= 0	2016/07/11		2016/07/29							
GW	= 0	2016/07/11		2016/07/29							
GX	= 0	2016/07/11		2016/07/29							
GY	= 0	2016/07/11		2016/07/29							
GA	= 0	2016/07/11		2016/07/29							
GB	= 0	2016/07/11		2016/07/29							
GC	= 0	2016/07/11		2016/07/29							
GD	= 0	2016/07/11		2016/07/29							
GE	= 0	2016/07/11		2016/07/29							
GF	= 0	2016/07/11		2016/07/29							
GG	= 0	2016/07/11		2016/07/29							
GH	= 0	2016/07/11		2016/07/29							
GI	= 0	2016/07/11		2016/07/29							
GJ	= 0	2016/07/11		2016/07/29							
GK	= 0	2016/07/11		2016/07/29							
GL	= 0	2016/07/11		2016/07/29							
GM	= 0	2016/07/11		2016/07/29							
GN	= 0	2016/07/11		2016/07/29							
GO	= 0	2016/07/11		2016/07/29							
GP	= 0	2016/07/11		2016/07/29							
GQ	= 0	2016/07/11		2016/07/29							
GR	= 0	2016/07/11		2016/07/29							
GS	= 0	2016/07/11		2016/07/29							
GT	= 0	2016/07/11		2016/07/29							
GU	= 0	2016/07/11		2016/07/29							
GV	= 0	2016/07/11		2016/07/29							
GW	= 0	2016/07/11		2016/07/29							
GX	= 0	2016/07/11		2016/07/29							
GY	= 0	2016/07/11		2016/07/29							
GA	= 0	2016/07/11		2016/07/29							
GB	= 0	2016/07/11		2016/07/29							
GC	= 0	2016/07/11		2016/07/29							
GD	= 0	2016/07/11		2016/07/29							
GE	= 0	2016/07/11		2016/07/29							
GF	= 0	2016/07/11		2016/07/29							
GG	= 0	2016/07/11		2016/07/29							
GH	= 0	2016/07/11		2016/07/29							
GI	= 0	2016/07/11		2016/07/29							
GJ	= 0	2016/07/11		2016/07/29							
GK	= 0	2016/07/11		2016/07/29							
GL	= 0	2016/07/11		2016/07/29							
GM	= 0	2016/07/11		2016/07/29							
GN	= 0	2016/07/11		2016/07/29							
GO	= 0	2016/07/11		2016/07/29							
GP	= 0	2016/07/11		2016/07/29							
GQ	= 0	2016/07/11		2016/07/29							
GR	= 0	2016/07/11		2016/07/29							
GS	= 0	2016/07/11		2016/07/29							
GT	= 0	2016/07/11		2016/07/29							
GU	= 0	2016/07/11		2016/07/29							
GV	= 0	2016/07/11		2016/07/29							
GW	= 0	2016/07/11		2016/07/29							
GX	= 0	2016/07/11		2016/07/29							
GY	= 0	2016/07/11		2016/07/29							
GA	= 0	2016/07/11		2016/07/29							
GB	= 0	2016/07/11		2016/07/29							
GC	= 0	2016/07/11		2016/07/29							
GD	= 0	2016/07/11		2016/07/29							
GE	= 0	2016/07/11		2016/07/29							
GF	= 0	2016/07/11		2016/07/29							
GG	= 0	2016/07/11		2016/07/29							
GH	= 0	2016/07/11		2016/07/29							
GI	= 0	2016/07/11		2016/07/29							
GJ	= 0	2016/07/11		2016/07/29							
GK	= 0	2016/07/11		2016/07/29							
GL	= 0	2016/07/11		2016/07/29							
GM	= 0	2016/07/11		2016/07/29							
GN	= 0	2016/07/11		2016/07/29							
GO	= 0	2016/07/11		2016/07/29							
GP	= 0	2016/07/11		2016/07/29							
GQ	= 0	2016/07/11		2016/07/29							
GR	= 0	2016/07/11		2016/07/29							
GS	= 0	2016/07/11		2016/07/29							
GT	= 0	2016/07/11		2016/07/29							
GU	= 0	2016/07/11		2016/07/29							
GV	= 0	2016/07/11		2016/07/29							
GW	= 0	2016/07/11		2016/07/29							
GX	= 0	2016/07/11		2016/07/29							
GY	= 0	2016/07/11		2016/07/29							
GA	= 0	20									

ENGINEERING NO. - NUMERICAL CODE (Available parts see PART LIST table. Others on request).

OPTIONS

805 007 XXXM XXXX X

80=M12x1
Single ended

Poles:
5=5 Poles

Heads style:
007=Plug Male
90° Angled

Cable type: See Table 3

Units:
M=Meter

Length
Examples:
005=0.5 units
010=1 units
100=10 units

Overmold color:
Blank (Standard)=Black
H= 2 pcs. of I/D Carrier PVC Transparent



TABLE 2

MOLEX PN	ENGINEERING NO.	L [mm]	Tol. [mm]
1200659838	805007EP2M006	600	+40
1200659839	805007EP2M010	1000	+40
1200659840	805007EP2M015	1500	+60
1200659841	805007EP2M020	2000	+60
1200659842	805007EP2M025	2500	+60
1200659843	805007EP2M030	3000	+60
1200659844	805007EP2M040	4000	+60
1200659845	805007EP2M050	5000	+60
1200659846	805007EP2M075	7500	+80
1200659847	805007EP2M100	10000	+80
1200659848	805007EP2M120	12000	+140
1200659849	805007EP2M150	15000	+140
1200659850	805007PP2M006	600	+40
1200659851	805007PP2M010	1000	+40
1200659852	805007PP2M015	1500	+60
1200659853	805007PP2M020	2000	+60
1200659854	805007PP2M025	2500	+60
1200659855	805007PP2M030	3000	+60
1200659856	805007PP2M040	4000	+60
1200659857	805007PP2M050	5000	+60
1200659858	805007PP2M075	7500	+80
1200659859	805007PP2M100	10000	+80
1200659860	805007PP2M120	12000	+140
1200659861	805007PP2M150	15000	+140

TABLE 3

CABLE TYPE	NO. OF WIRES	CROSS SECTION	CABLE JACKET	UL	TEMPERATURE RANGE		SHIELD
					STATIC	FLEX	
EP2	4+air tube	0.25mm ²	PVC BLACK	UL 1731/2517	-25°C to +105°C	-5°C to +105°C	YES
PP2	4+air tube	0.25mm ²	PUR BLACK	UL 1729/20233	-40°C to +80°C	-25°C to +80°C	YES

QUALITY SYMBOLS FA = 0 FE = 0 FP = 0 FV = 0 FC = 0 FX = 0 FS = 0 FT = 0	THIS DRAWING CONTAINS INFORMATION THAT IS PROPRIETARY TO MOLEX ELECTRONIC TECHNOLOGIES, LLC AND SHOULD NOT BE USED WITHOUT WRITTEN PERMISSION									
	EC NO: 106989 DRWN: FGAIK CHK'D: REV APPR: RSILLER	2016/07/11 2016/07/29	GENERAL TOLERANCES (UNLESS SPECIFIED) ANGULAR TOL ± 1.0 ° 4 PLACES ± 3 PLACES ± 2 PLACES ± 0.05 1 PLACE ± 0.3 0 PLACES ± 0.5	DIMENSION UNITS MM	SCALE 1:1					
DRAFT WHERE APPLICABLE MUST REMAIN WITHIN DIMENSIONS					DRWN BY FGAIK	DATE 2016/07/11	CSE M12 5P AC MA RA XM SE UNSH BK			
PRODUCT CUSTOMER DRAWING					CHK'D BY RSILLER	DATE 2016/07/29	PRODUCT CUSTOMER DRAWING			
DRAWING SIZE A3			THIRD ANGLE PROJECTION			SERIES 120065	MATERIAL NUMBER SEE TABLE 2	CUSTOMER GENERAL MARKET		
DOCUMENT NUMBER 1200659838							DOC TYPE PSD	DOC PART 000	SHEET NUMBER 2 OF 2	