



Is Now Part of



ON Semiconductor®

To learn more about ON Semiconductor, please visit our website at
www.onsemi.com

Please note: As part of the Fairchild Semiconductor integration, some of the Fairchild orderable part numbers will need to change in order to meet ON Semiconductor's system requirements. Since the ON Semiconductor product management systems do not have the ability to manage part nomenclature that utilizes an underscore (_), the underscore (_) in the Fairchild part numbers will be changed to a dash (-). This document may contain device numbers with an underscore (_). Please check the ON Semiconductor website to verify the updated device numbers. The most current and up-to-date ordering information can be found at www.onsemi.com. Please email any questions regarding the system integration to Fairchild_questions@onsemi.com.

ON Semiconductor and the ON Semiconductor logo are trademarks of Semiconductor Components Industries, LLC dba ON Semiconductor or its subsidiaries in the United States and/or other countries. ON Semiconductor owns the rights to a number of patents, trademarks, copyrights, trade secrets, and other intellectual property. A listing of ON Semiconductor's product/patent coverage may be accessed at www.onsemi.com/site/pdf/Patent-Marking.pdf. ON Semiconductor reserves the right to make changes without further notice to any products herein. ON Semiconductor makes no warranty, representation or guarantee regarding the suitability of its products for any particular purpose, nor does ON Semiconductor assume any liability arising out of the application or use of any product or circuit, and specifically disclaims any and all liability, including without limitation special, consequential or incidental damages. Buyer is responsible for its products and applications using ON Semiconductor products, including compliance with all laws, regulations and safety requirements or standards, regardless of any support or applications information provided by ON Semiconductor. "Typical" parameters which may be provided in ON Semiconductor data sheets and/or specifications can and do vary in different applications and actual performance may vary over time. All operating parameters, including "Typicals" must be validated for each customer application by customer's technical experts. ON Semiconductor does not convey any license under its patent rights nor the rights of others. ON Semiconductor products are not designed, intended, or authorized for use as a critical component in life support systems or any FDA Class 3 medical devices or medical devices with a same or similar classification in a foreign jurisdiction or any devices intended for implantation in the human body. Should Buyer purchase or use ON Semiconductor products for any such unintended or unauthorized application, Buyer shall indemnify and hold ON Semiconductor and its officers, employees, subsidiaries, affiliates, and distributors harmless against all claims, costs, damages, and expenses, and reasonable attorney fees arising out of, directly or indirectly, any claim of personal injury or death associated with such unintended or unauthorized use, even if such claim alleges that ON Semiconductor was negligent regarding the design or manufacture of the part. ON Semiconductor is an Equal Opportunity/Affirmative Action Employer. This literature is subject to all applicable copyright laws and is not for resale in any manner.

74LCXZ16244

Low Voltage 16-Bit Buffer/Line Driver with 5V Tolerant Inputs and Outputs

General Description

The LCXZ16244 contains sixteen non-inverting buffers with 3-STATE outputs designed to be employed as a memory and address driver, clock driver, or bus oriented transmitter/receiver. The device is nibble controlled. Each nibble has separate 3-STATE control inputs which can be shorted together for full 16-bit operation.

When V_{CC} is between 0 and 1.5V, the LCXZ16244 is in the high impedance state during power up or power down. This places the outputs in high impedance (Z) state preventing intermittent low impedance loading or glitching in bus oriented applications.

The LCXZ16244 is designed for low voltage (2.7V or 3.3V) V_{CC} applications with capability of interfacing to a 5V signal environment.

The LCXZ16244 is fabricated with an advanced CMOS technology to achieve high speed operation while maintaining CMOS low power dissipation.

Features

- 5V tolerant inputs and outputs
- Guaranteed power up/down high impedance
- Supports live insertion/withdrawal
- 2.7V–3.6V V_{CC} specifications provided
- 4.5 ns t_{PD} max ($V_{CC} = 3.0V$), 20 μA I_{CC} max
- ± 24 mA output drive ($V_{CC} = 3.0V$)
- Implements patented noise/EMI reduction circuitry
- Latch-up performance exceeds 500 mA
- ESD performance:
 - Human body model > 2000V
 - Machine model > 200V
- Also packaged in plastic Fine-Pitch Ball Grid Array (FBGA) (Preliminary)

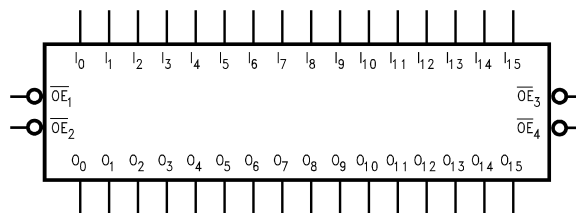
Ordering Code:

| Order Number | Package Number | Package Description |
|----------------------------|-------------------------|---|
| 74LCXZ16244GX (Note 1) | BGA54A (Preliminary) | 54-Ball Fine-Pitch Ball Grid Array (FBGA), JEDEC MO-205, 5.5mm Wide [TAPE and REEL] |
| 74LCXZ16244MEA (Note 2) | MS48A | 48-Lead Small Shrink Outline Package (SSOP), JEDEC MO-118, 0.300" Wide |
| 74LCXZ16244MTD (Note 2) | MTD48 | 48-Lead Thin Shrink Small Outline Package (TSSOP), JEDEC MO-153, 6.1mm Wide |

Note 1: BGA package available in Tape and Reel only.

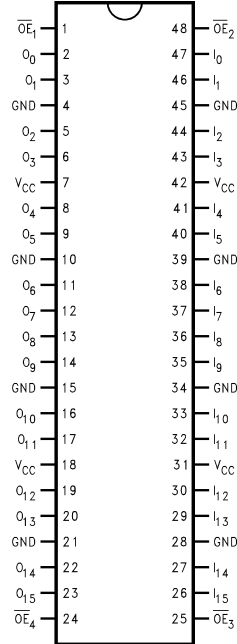
Note 2: Devices also available in Tape and Reel. Specify by appending the suffix letter "X" to the ordering code.

Logic Symbol

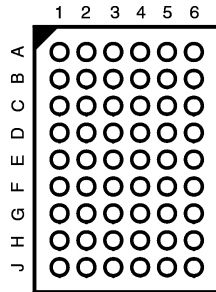


Connection Diagrams

Pin Assignment for SSOP and TSSOP



Pin Assignment for FBGA



(Top Thru View)

Pin Descriptions

| Pin Names | Description |
|-------------------|----------------------------------|
| \overline{OE}_n | Output Enable Input (Active LOW) |
| I_0-I_{15} | Inputs |
| O_0-O_{15} | Outputs |
| NC | No Connect |

FBGA Pin Assignments

| | 1 | 2 | 3 | 4 | 5 | 6 |
|----------|----------|----------|-------------------|-------------------|----------|----------|
| A | O_0 | NC | \overline{OE}_1 | \overline{OE}_2 | NC | I_0 |
| B | O_2 | O_1 | NC | NC | I_1 | I_2 |
| C | O_4 | O_3 | V_{CC} | V_{CC} | I_3 | I_4 |
| D | O_6 | O_5 | GND | GND | I_5 | I_6 |
| E | O_8 | O_7 | GND | GND | I_7 | I_8 |
| F | O_{10} | O_9 | GND | GND | I_9 | I_{10} |
| G | O_{12} | O_{11} | V_{CC} | V_{CC} | I_{11} | I_{12} |
| H | O_{14} | O_{13} | NC | NC | I_{13} | I_{14} |
| J | O_{15} | NC | \overline{OE}_4 | \overline{OE}_3 | NC | I_{15} |

Truth Tables

| Inputs | | Outputs |
|-------------------|-----------|-----------|
| \overline{OE}_1 | I_0-I_3 | O_0-O_3 |
| L | L | L |
| L | H | H |
| H | X | Z |

| Inputs | | Outputs |
|-------------------|-----------|-----------|
| \overline{OE}_2 | I_4-I_7 | O_4-O_7 |
| L | L | L |
| L | H | H |
| H | X | Z |

| Inputs | | Outputs |
|-------------------|--------------|--------------|
| \overline{OE}_3 | I_8-I_{11} | O_8-O_{11} |
| L | L | L |
| L | H | H |
| H | X | Z |

| Inputs | | Outputs |
|-------------------|-----------------|-----------------|
| \overline{OE}_4 | $I_{12}-I_{15}$ | $O_{12}-O_{15}$ |
| L | L | L |
| L | H | H |
| H | X | Z |

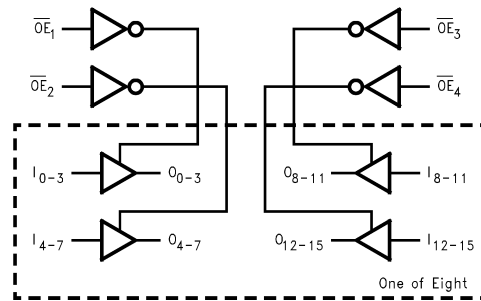
H = HIGH Voltage Level
 L = LOW Voltage Level
 X = Immaterial
 Z = High Impedance

Functional Description

The LCXZ16244 contains sixteen non-inverting buffers with 3-STATE standard outputs. The device is nibble (4 bits) controlled with each nibble functioning identically, but independent of the other. The control pins can be shorted together to obtain full 16-bit operation. The

3-STATE outputs are controlled by an Output Enable (\overline{OE}_n) input for each nibble. When \overline{OE}_n is LOW, the outputs are in 2-state mode. When \overline{OE}_n is HIGH, the outputs are in the high impedance mode, but this does not interfere with entering new data into the inputs.

Logic Diagram



| Absolute Maximum Ratings (Note 3) | | | | | | |
|---|--|--|--|--------------------------------------|-----------|---------|
| Symbol | Parameter | Value | Conditions | Units | | |
| V_{CC} | Supply Voltage | -0.5 to +7.0 | | V | | |
| V_I | DC Input Voltage | -0.5 to +7.0 | | V | | |
| V_O | DC Output Voltage | -0.5 to +7.0 -0.5 to $V_{CC} + 0.5$ | Output in 3-STATE or $V_{CC} = 0-1.5V$ Output in HIGH or LOW State (Note 4) | V | | |
| I_{IK} | DC Input Diode Current | -50 | $V_I < GND$ | mA | | |
| I_{OK} | DC Output Diode Current | -50 +50 | $V_O < GND$ $V_O > V_{CC}$ | mA | | |
| I_O | DC Output Source/Sink Current | ± 50 | | mA | | |
| I_{CC} | DC Supply Current per Supply Pin | ± 100 | | mA | | |
| I_{GND} | DC Ground Current per Ground Pin | ± 100 | | mA | | |
| T_{STG} | Storage Temperature | -65 to +150 | | °C | | |
| Recommended Operating Conditions (Note 5) | | | | | | |
| Symbol | Parameter | Min | Max | Units | | |
| V_{CC} | Supply Voltage Operating | 2.7 | 3.6 | V | | |
| V_I | Input Voltage | 0 | 5.5 | V | | |
| V_O | Output Voltage HIGH or LOW State 3-STATE or $V_{CC} = OFF$ | 0 0 | V_{CC} 5.5 | V | | |
| I_{OH}/I_{OL} | Output Current $V_{CC} = 3.0V - 3.6V$ $V_{CC} = 2.7V - 3.0V$ | | ± 24 ± 12 | mA | | |
| T_A | Free-Air Operating Temperature | -40 | 85 | °C | | |
| $\Delta t/\Delta V$ | Input Edge Rate, $V_{IN} = 0.8V-2.0V$, $V_{CC} = 3.0V$ | 0 | 10 | ns/V | | |
| <p>Note 3: The Absolute Maximum Ratings are those values beyond which the safety of the device cannot be guaranteed. The device should not be operated at these limits. The parametric values defined in the Electrical Characteristics tables are not guaranteed at the Absolute Maximum Ratings. The "Recommended Operating Conditions" table will define the conditions for actual device operation.</p> <p>Note 4: I_O Absolute Maximum Rating must be observed.</p> <p>Note 5: Unused inputs must be held HIGH or LOW. They may not float.</p> | | | | | | |
| DC Electrical Characteristics | | | | | | |
| Symbol | Parameter | Conditions | V_{CC} (V) | $T_A = -40^\circ C$ to $+85^\circ C$ | | Units |
| | | | | Min | Max | |
| V_{IH} | HIGH Level Input Voltage | | 2.7 - 3.6 | 2.0 | | V |
| V_{IL} | LOW Level Input Voltage | | 2.7 - 3.6 | | 0.8 | V |
| V_{OH} | HIGH Level Output Voltage | $I_{OH} = -100 \mu A$ | 2.7 - 3.6 | $V_{CC} - 0.2$ | | V |
| | | $I_{OH} = -12 mA$ | 2.7 | 2.2 | | |
| | | $I_{OH} = -18 mA$ | 3.0 | 2.4 | | |
| | | $I_{OH} = -24 mA$ | 3.0 | 2.2 | | |
| V_{OL} | LOW Level Output Voltage | $I_{OL} = 100 \mu A$ | 2.7 - 3.6 | | 0.2 | V |
| | | $I_{OL} = 12 mA$ | 2.7 | | 0.4 | |
| | | $I_{OL} = 16 mA$ | 3.0 | | 0.4 | |
| | | $I_{OL} = 24 mA$ | 3.0 | | 0.55 | |
| I_I | Input Leakage Current | $0 \leq V_I \leq 5.5V$ | 2.7 - 3.6 | | ± 5.0 | μA |
| I_{OZ} | 3-STATE Output Leakage | $0 \leq V_O \leq 5.5V$ $V_I = V_{IH}$ or V_{IL} | 2.7 - 3.6 | | ± 5.0 | μA |
| I_{OFF} | Power-Off Leakage Current | V_I or $V_O = 5.5V$ | 0 | | 10 | μA |
| $I_{PU/PD}$ | Power Up/Down 3-STATE Output Current | $V_O = 0.5V$ to V_{CC} $V_I = GND$ or V_{CC} | 0 - 1.5 | | ± 5.0 | μA |
| I_{CC} | Quiescent Supply Current | $V_I = V_{CC}$ or GND | 2.7 - 3.6 | | 225 | μA |
| | | $3.6V \leq V_I$, $V_O \leq 5.5V$ (Note 6) | 2.7 - 3.6 | | ± 225 | |
| ΔI_{CC} | Increase in I_{CC} per Input | $V_{IH} = V_{CC} - 0.6V$ | 2.7 - 3.6 | | 500 | μA |
| Note 6: Outputs disabled or 3-STATE only. | | | | | | |

| AC Electrical Characteristics | | | | | | |
|-------------------------------|--------------------------------|--|-----|-----------------|-----|-------|
| Symbol | Parameter | $T_A = -40^\circ\text{C to } +85^\circ\text{C}, R_L = 500\ \Omega$ | | | | Units |
| | | $V_{CC} = 3.3V \pm 0.3V$ | | $V_{CC} = 2.7V$ | | |
| | | $C_L = 50\ \text{pF}$ | | | | |
| | | Min | Max | Min | Max | |
| t_{PHL} | Propagation Delay | 1.0 | 4.5 | 1.0 | 5.2 | ns |
| t_{PLH} | Data to Output | 1.0 | 4.5 | 1.0 | 5.2 | |
| t_{PZL} | Output Enable Time | 1.0 | 5.5 | 1.0 | 6.3 | ns |
| t_{PZH} | | 1.0 | 5.5 | 1.0 | 6.3 | |
| t_{PLZ} | Output Disable Time | 1.0 | 5.4 | 1.0 | 5.7 | ns |
| t_{PHZ} | | 1.0 | 5.4 | 1.0 | 5.7 | |
| t_{OSHL} | Output to Output Skew (Note 7) | | 1.0 | | | ns |
| t_{OSLH} | | | 1.0 | | | |

Note 7: Skew is defined as the absolute value of the difference between the actual propagation delay for any two separate outputs of the same device. The specification applies to any outputs switching in the same direction, either HIGH-to-LOW (t_{OSHL}) or LOW-to-HIGH (t_{OSLH}). Parameter guaranteed by design.

| Dynamic Switching Characteristics | | | | | |
|-----------------------------------|--------------------------------------|---|-----------------|--------------------------|-------|
| Symbol | Parameter | Conditions | V_{CC} (V) | $T_A = 25^\circ\text{C}$ | Units |
| | | | | Typical | |
| V_{OLP} | Quiet Output Dynamic Peak V_{OL} | $C_L = 50\ \text{pF}, V_{IH} = 3.3V, V_{IL} = 0V$ | 3.3 | 0.8 | V |
| V_{OLV} | Quiet Output Dynamic Valley V_{OL} | $C_L = 50\ \text{pF}, V_{IH} = 3.3V, V_{IL} = 0V$ | 3.3 | -0.8 | V |

| Capacitance | | | | |
|-------------|-------------------------------|--|---------|-------|
| Symbol | Parameter | Conditions | Typical | Units |
| C_{IN} | Input Capacitance | $V_{CC} = \text{Open}, V_I = 0V \text{ or } V_{CC}$ | 7 | pF |
| C_{OUT} | Output Capacitance | $V_{CC} = 3.3V, V_I = 0V \text{ or } V_{CC}$ | 8 | pF |
| C_{PD} | Power Dissipation Capacitance | $V_{CC} = 3.3V, V_I = 0V \text{ or } V_{CC}, f = 10\ \text{MHz}$ | 20 | pF |

AC LOADING and WAVEFORMS Generic for LCX Family

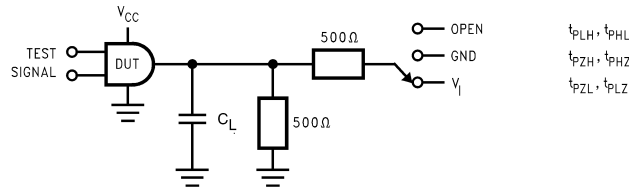
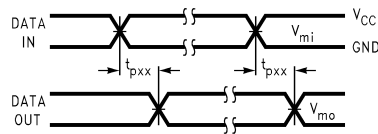
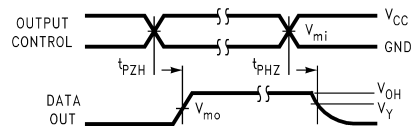


FIGURE 1. AC Test Circuit (C_L includes probe and jig capacitance)

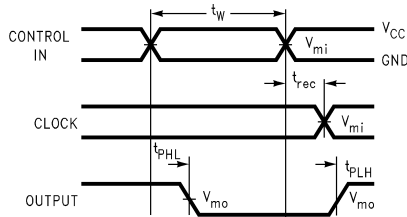
| V _I | C _L |
|-------------------------------------|----------------|
| 6V for V _{CC} = 3.3V, 2.7V | 50 pF |



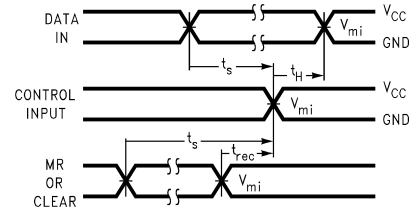
Waveform for Inverting and Non-Inverting Functions



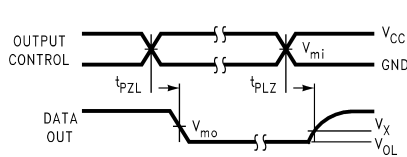
3-STATE Output High Enable and Disable Times for Logic



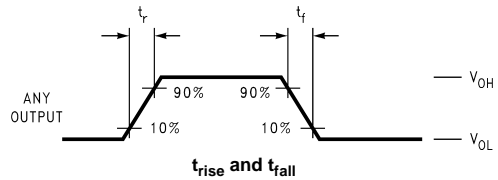
Propagation Delay, Pulse Width and t_{rec} Waveforms



Setup Time, Hold Time and Recovery Time for Logic



3-STATE Output Low Enable and Disable Times for Logic

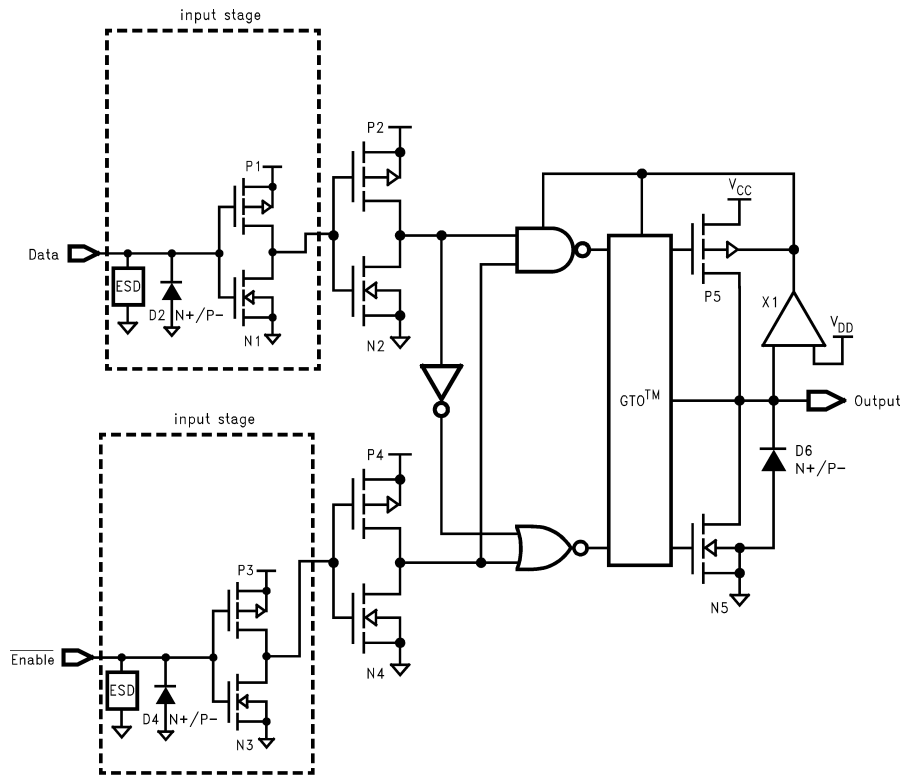


t_{rise} and t_{fall}

FIGURE 2. Waveforms
(Input Characteristics; f = 1 MHz, t_r = t_f = 3 ns)

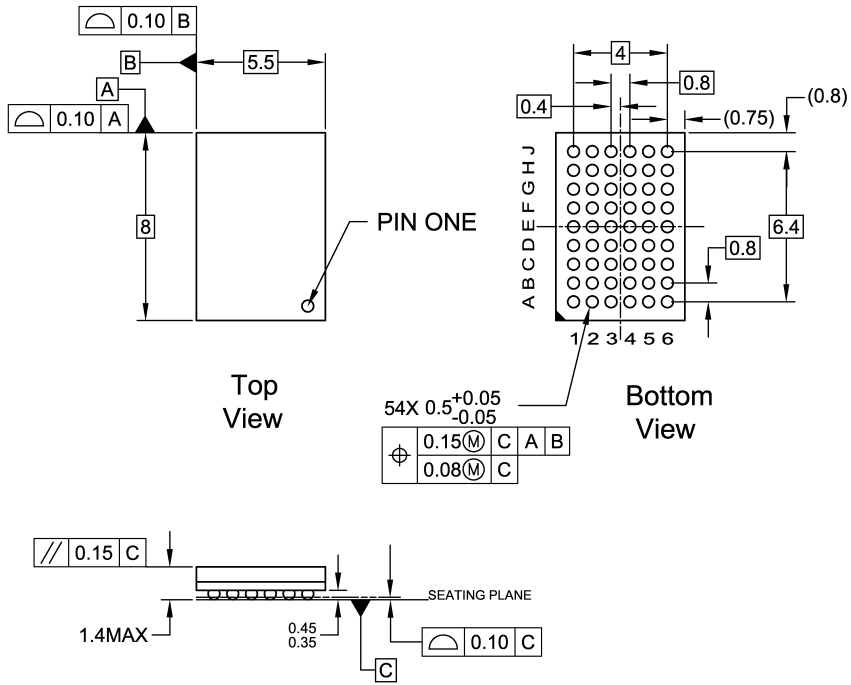
| Symbol | V _{CC} | |
|-----------------|------------------------|------------------------|
| | 3.3V ± 0.3V | 2.7V |
| V _{mi} | 1.5V | 1.5V |
| V _{mo} | 1.5V | 1.5V |
| V _x | V _{OL} + 0.3V | V _{OL} + 0.3V |
| V _y | V _{OH} - 0.3V | V _{OH} - 0.3V |

Schematic Diagram Generic for LCX Family



74LCXZ16244

Physical Dimensions inches (millimeters) unless otherwise noted

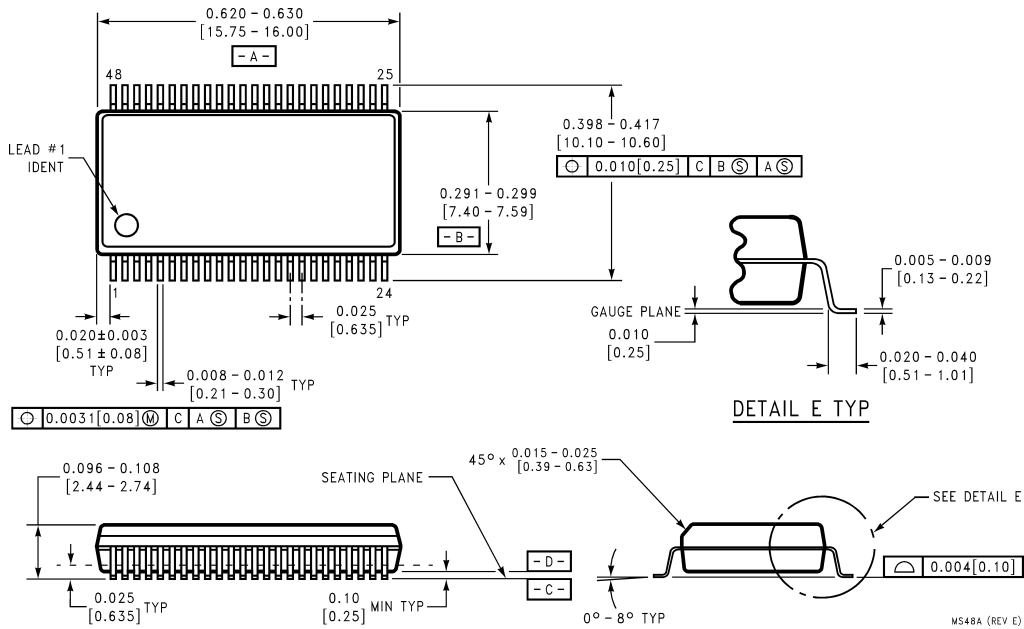


- NOTES:
- A. THIS PACKAGE CONFORMS TO JEDEC M0-205
 - B. ALL DIMENSIONS IN MILLIMETERS
 - C. LAND PATTERN RECOMMENDATION: NSMD (Non Solder Mask Defined)
.35MM DIA PADS WITH A SOLDERMASK OPENING OF .45MM CONCENTRIC TO PADS
 - D. DRAWING CONFORMS TO ASME Y14.5M-1994

BGA54ArevD

**54-Ball Fine-Pitch Ball Grid Array (FBGA), JEDEC MO-205, 5.5mm Wide
Package Number BGA54A
Preliminary**

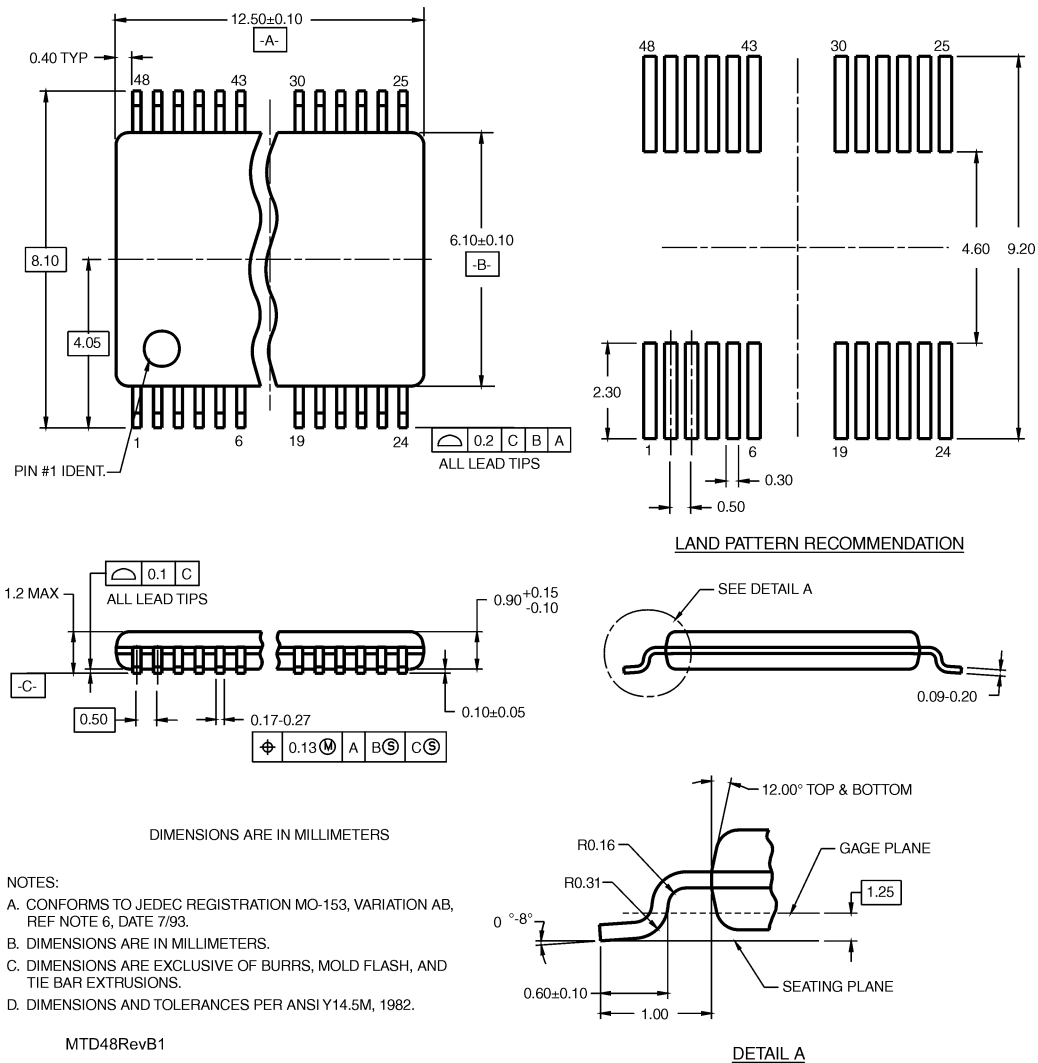
Physical Dimensions inches (millimeters) unless otherwise noted (Continued)



**48-Lead Small Shrink Outline Package (SSOP), JEDEC MO-118, 0.300" Wide
Package Number MS48A**

MS48A (REV E)

Physical Dimensions inches (millimeters) unless otherwise noted (Continued)



Fairchild does not assume any responsibility for use of any circuitry described, no circuit patent licenses are implied and Fairchild reserves the right at any time without notice to change said circuitry and specifications.

LIFE SUPPORT POLICY

FAIRCHILD'S PRODUCTS ARE NOT AUTHORIZED FOR USE AS CRITICAL COMPONENTS IN LIFE SUPPORT DEVICES OR SYSTEMS WITHOUT THE EXPRESS WRITTEN APPROVAL OF THE PRESIDENT OF FAIRCHILD SEMICONDUCTOR CORPORATION. As used herein:

1. Life support devices or systems are devices or systems which, (a) are intended for surgical implant into the body, or (b) support or sustain life, and (c) whose failure to perform when properly used in accordance with instructions for use provided in the labeling, can be reasonably expected to result in a significant injury to the user.
2. A critical component in any component of a life support device or system whose failure to perform can be reasonably expected to cause the failure of the life support device or system, or to affect its safety or effectiveness.

www.fairchildsemi.com

ON Semiconductor and  are trademarks of Semiconductor Components Industries, LLC dba ON Semiconductor or its subsidiaries in the United States and/or other countries. ON Semiconductor owns the rights to a number of patents, trademarks, copyrights, trade secrets, and other intellectual property. A listing of ON Semiconductor's product/patent coverage may be accessed at www.onsemi.com/site/pdf/Patent-Marking.pdf. ON Semiconductor reserves the right to make changes without further notice to any products herein. ON Semiconductor makes no warranty, representation or guarantee regarding the suitability of its products for any particular purpose, nor does ON Semiconductor assume any liability arising out of the application or use of any product or circuit, and specifically disclaims any and all liability, including without limitation special, consequential or incidental damages. Buyer is responsible for its products and applications using ON Semiconductor products, including compliance with all laws, regulations and safety requirements or standards, regardless of any support or applications information provided by ON Semiconductor. "Typical" parameters which may be provided in ON Semiconductor data sheets and/or specifications can and do vary in different applications and actual performance may vary over time. All operating parameters, including "Typicals" must be validated for each customer application by customer's technical experts. ON Semiconductor does not convey any license under its patent rights nor the rights of others. ON Semiconductor products are not designed, intended, or authorized for use as a critical component in life support systems or any FDA Class 3 medical devices or medical devices with a same or similar classification in a foreign jurisdiction or any devices intended for implantation in the human body. Should Buyer purchase or use ON Semiconductor products for any such unintended or unauthorized application, Buyer shall indemnify and hold ON Semiconductor and its officers, employees, subsidiaries, affiliates, and distributors harmless against all claims, costs, damages, and expenses, and reasonable attorney fees arising out of, directly or indirectly, any claim of personal injury or death associated with such unintended or unauthorized use, even if such claim alleges that ON Semiconductor was negligent regarding the design or manufacture of the part. ON Semiconductor is an Equal Opportunity/Affirmative Action Employer. This literature is subject to all applicable copyright laws and is not for resale in any manner.

PUBLICATION ORDERING INFORMATION

LITERATURE FULFILLMENT:

Literature Distribution Center for ON Semiconductor
19521 E. 32nd Pkwy, Aurora, Colorado 80011 USA
Phone: 303-675-2175 or 800-344-3860 Toll Free USA/Canada
Fax: 303-675-2176 or 800-344-3867 Toll Free USA/Canada
Email: orderlit@onsemi.com

N. American Technical Support: 800-282-9855 Toll Free
USA/Canada
Europe, Middle East and Africa Technical Support:
Phone: 421 33 790 2910
Japan Customer Focus Center
Phone: 81-3-5817-1050

ON Semiconductor Website: www.onsemi.com
Order Literature: <http://www.onsemi.com/orderlit>
For additional information, please contact your local
Sales Representative