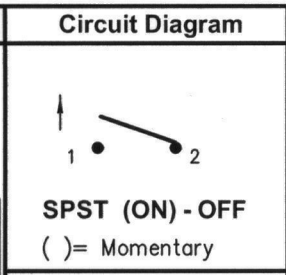
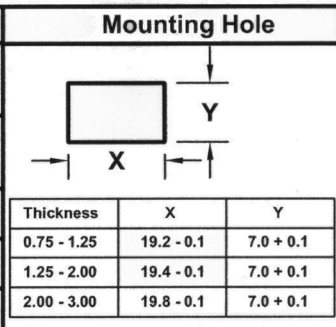
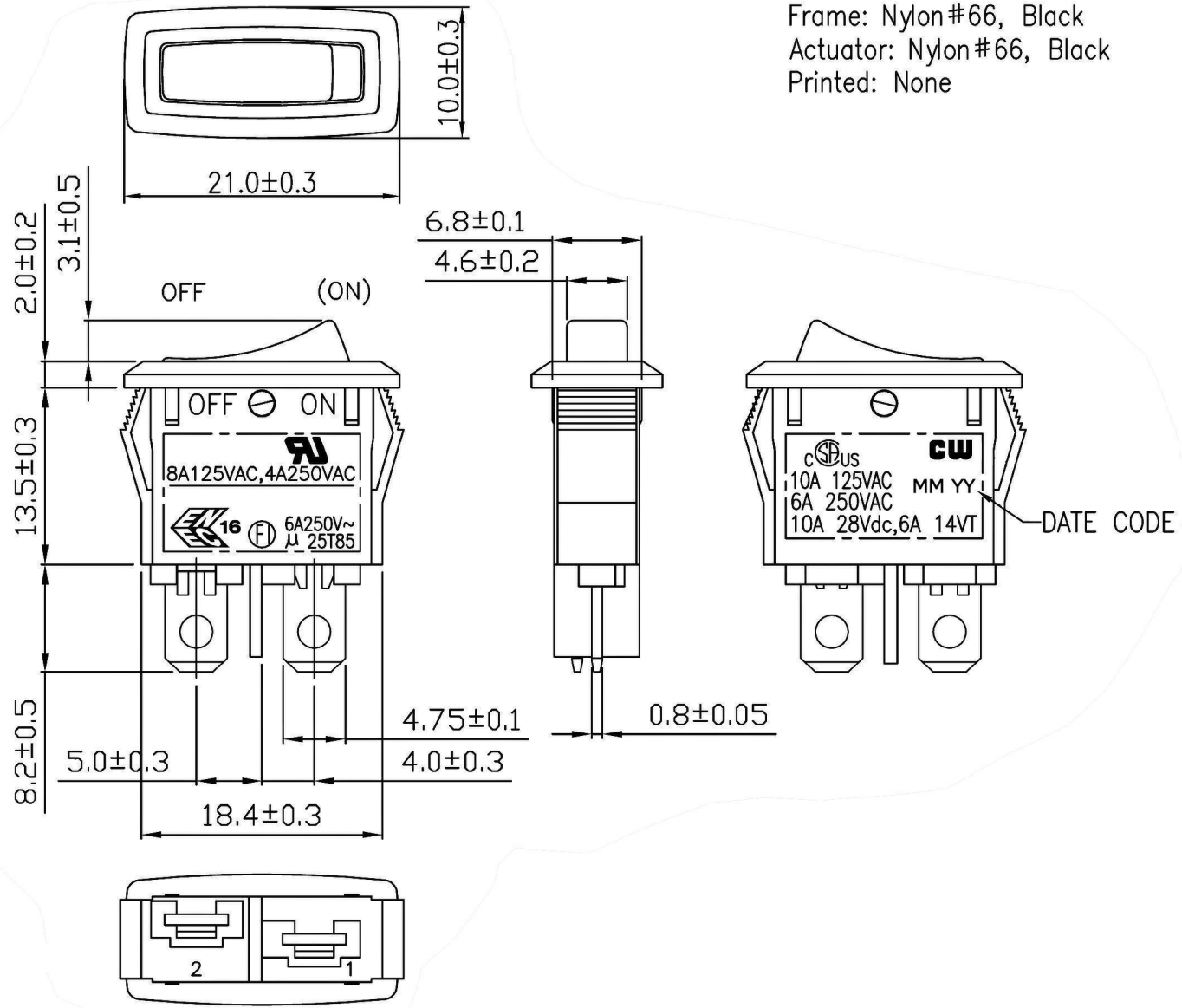


THIS INFORMATION IS CONFIDENTIAL AND PROPRIETARY TO CW INDUSTRIES INCORPORATED AND ITS AFFILIATES. IT MAY NOT BE DISCLOSED TO ANYONE, OTHER THAN CW INDUSTRIES PERSONNEL, WITHOUT WRITTEN AUTHORIZATION FROM CW INDUSTRIES INCORPORATED, SOUTHAMPTON, PENNSYLVANIA USA.

Rating	8A 125V AC, 4A 250V AC	UL
	10A 125V AC, 6A 250V AC	
	10A 28V DC, 6A 14 VT	c SP US
	6A 250V ~	EN 16 FI
Contact Resistance	50m ohm max.	
Insulation Resistance	DC 500V 100M ohm min.	
Dielectric Strength	AC 1500V 1 minute	
Operating Temperature	-25°C ~ 85°C	
Switch Function	2P SPST (ON)-OFF	



Material:
Frame: Nylon#66, Black
Actuator: Nylon#66, Black
Printed: None



RoHS Compliant	1 Updated drawing. Rotated button to opposite direction. 7/22/10			
CW INDUSTRIES Southampton, Pa. 18966 Tel 215.355.7080/www.cwind.com	Date Drawn: 12/21/09	Rev. 1	Unit: mm	Checked By: G.GULD
	Title: ROCKER SWITCH		CW P/N: GRB243F02BB	