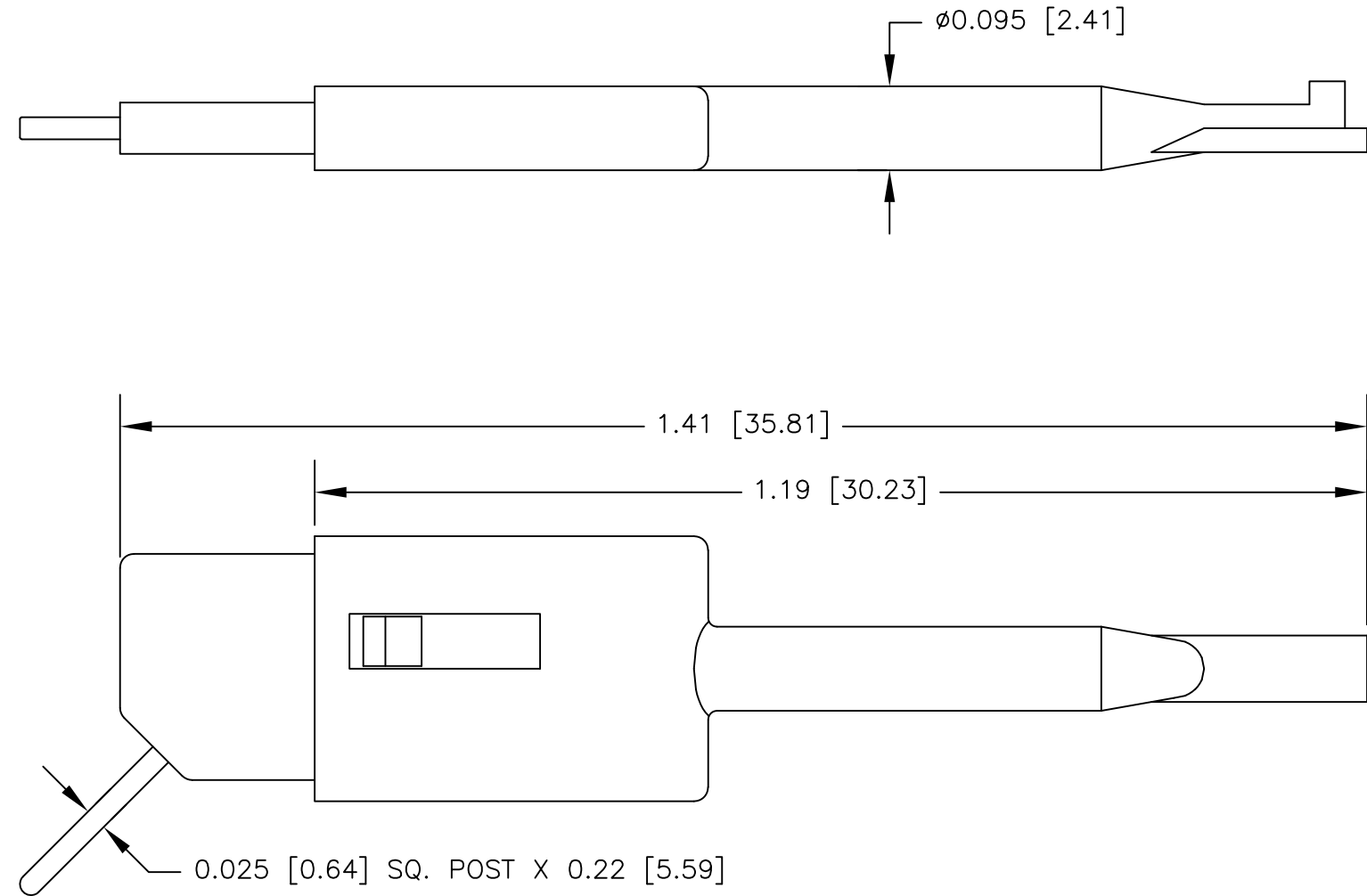
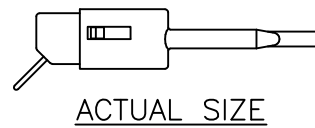
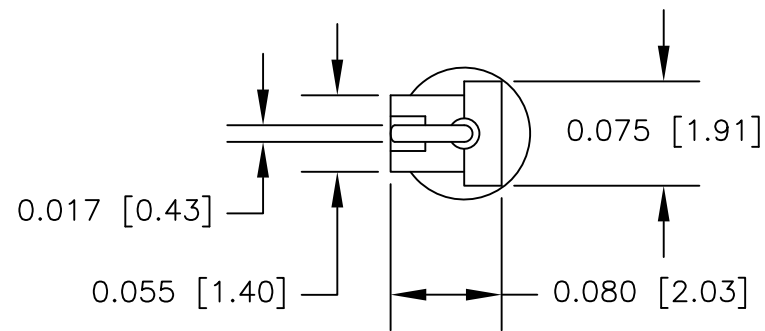
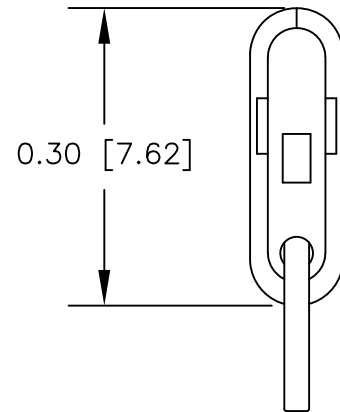
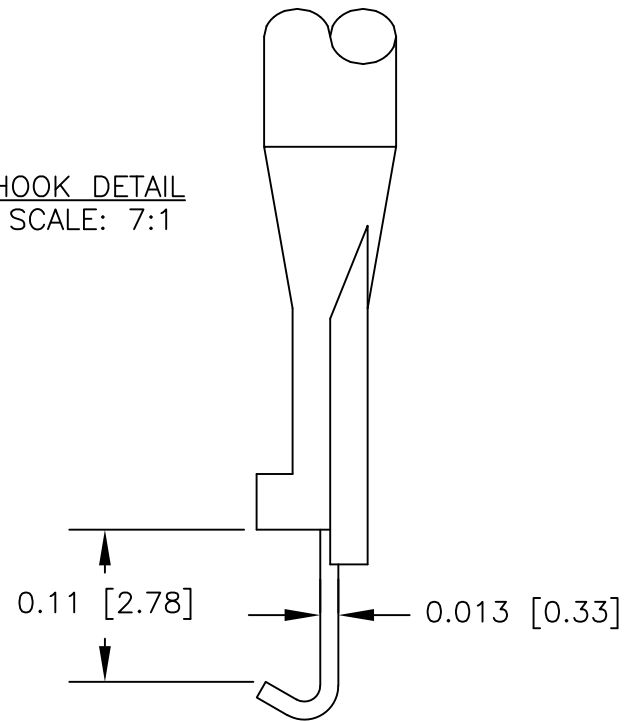


NOTES: UNLESS OTHERWISE SPECIFIED

- CONSTRUCTION:
HOUSING & PLUNGER: MOLDED NYLON. AVAILABLE IN TEN COLORS.
CONTACT BLADE: GOLD PLATED BeCu.
SPRING: STAINLESS STEEL.
- PERFORMANCE
MAXIMUM CURRENT: 1.0 AMPS
MAXIMUM VOLTAGE: 600 W.V.D.C.
MAXIMUM TEMPERATURE: 200°F (93°C)
- FEATURES:
HOOK FITS COMPONENTS UP TO $\varnothing 0.025$ [$\varnothing 0.64$].
PIN PERMITS CONNECTION TO 0.025^2 [0.64^2]
OR $\varnothing 0.030$ [$\varnothing 0.76$] SOCKETS.

LTR	REVISIONS		DATE	APPROVED
	DESCRIPTION			

HOOK DETAIL
SCALE: 7:1



UNLESS OTHERWISE SPECIFIED DIMENSIONS ARE IN INCHES TOLERANCES ARE: FRACTIONS DECIMALS ANGLES ± N/A .XX ± N/A ± N/A .XXX ± N/A		CONTRACT NO.		E-Z-HOOK DIVISION OF TEKTEST INC. ARCADIA, CA 91006 U.S.A.	
		APPROVALS	DATE		
MATERIAL SEE NOTES		DRAWN	S.B.W.	7/10	DESCRIPTION 0.25 [6.35] SQ. PICO HOOK GOLD PLATED
		APPROVED BY			
FINISH SEE NOTES		SIZE	CODE IDENT NO.	DRAWING NO.	REV.
NEXT ASSY	USED ON	B	08505	P25	
APPLICATION		DO NOT SCALE DRAWING		SCALE	SHEET 1 OF 1
			5:1		