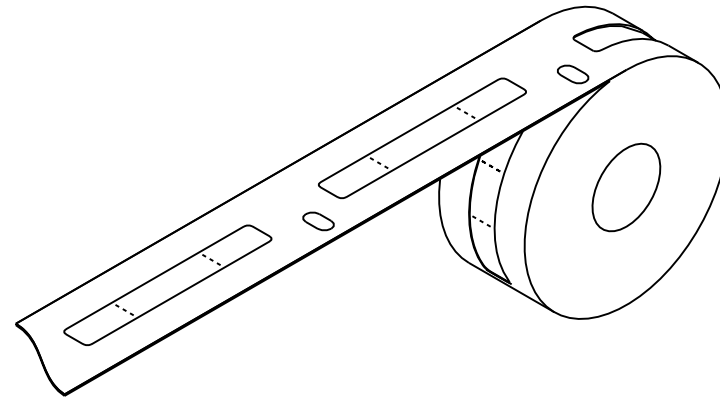
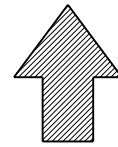
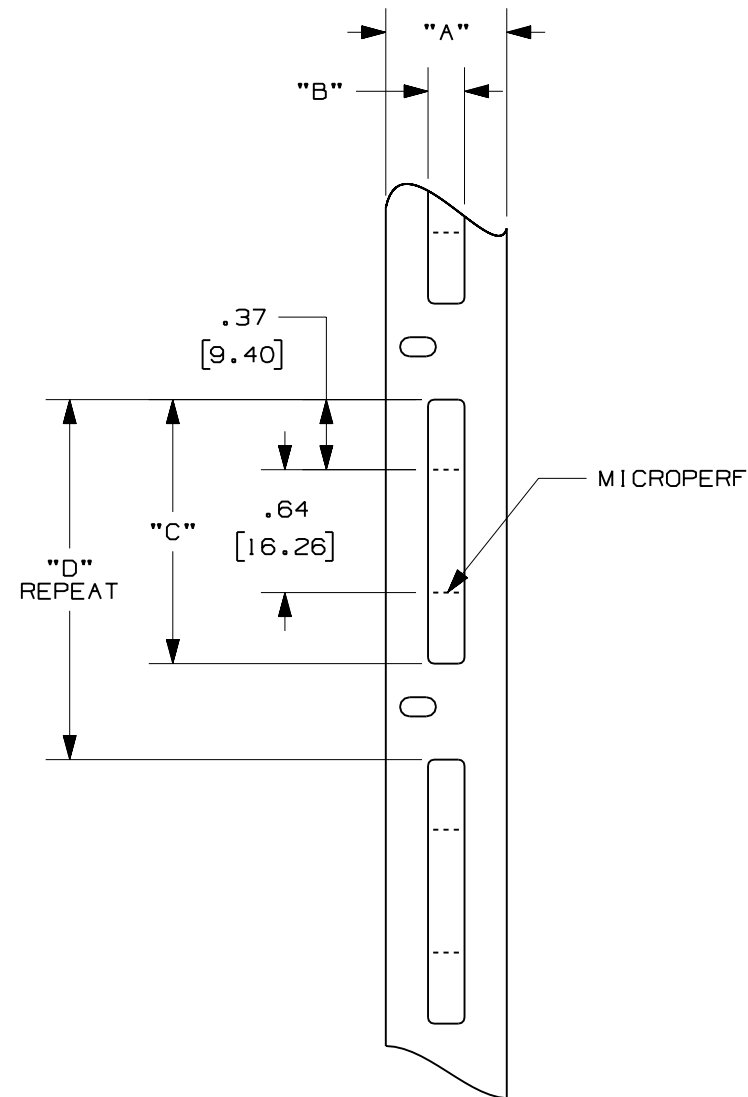


FEED DIRECTION



NOTES:
 1. SEE MFG. DWG. NO. A61349.
 2. DIMENSIONS IN [] ARE IN MILLIMETERS.



PANDUIT PART NO.	"A"	"B"	"C"	"D"	LABELS/ROLL
C138X019FJC	0.63 [1.60]	0.190 [4.826]	1.375 [34.93]	1.625 [41.28]	200

CAD FILENAME/LAYERS: I00472MF_C10418_C138X019FJC_00.prt

REV	DATE	BY	CHK	DESCRIPTION	ECN	R	CUST	SUP
0	5-11-06	RVU		RELEASED TO PRODUCTION.	4503	R		

<h1>PANDUIT</h1> <p>CORP TINLEY PARK, ILLINOIS</p> <p>CUSTOMER DRAWING LSB COMPONENT LABELS C138X019FJC</p>	
UNLESS OTHERWISE SPECIFIED, DIMENSIONAL TOLERANCES ARE: (.X) ± .030 (.XX) ± .030 ANGLES ±	UNLESS OTHERWISE SPECIFIED, ALL DIMENSIONS ARE GIVEN IN INCHES, THIRD ANGLE PROJECTION
DRAWN BY: RVU DATE: 5-11-06 MAT'L: POLYOLEFIN GMPO	SCALE: NTS DRAWING NO.: C10418 DWG SIZE: B